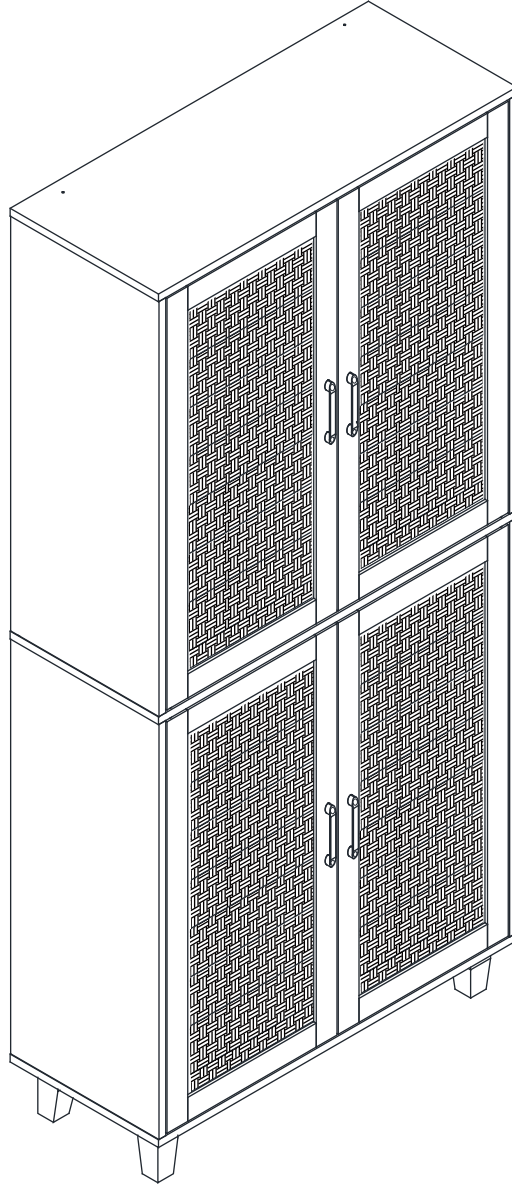


Installation Instruction



Product Name

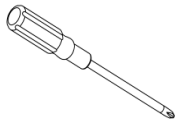
4 Door Cabinet

Ver.1.0 20231121

Assembling

What you need

- Use the packaging carton as a working surface to prevent product damage during assembly
- Phillips head screwdriver



Weight Limitation

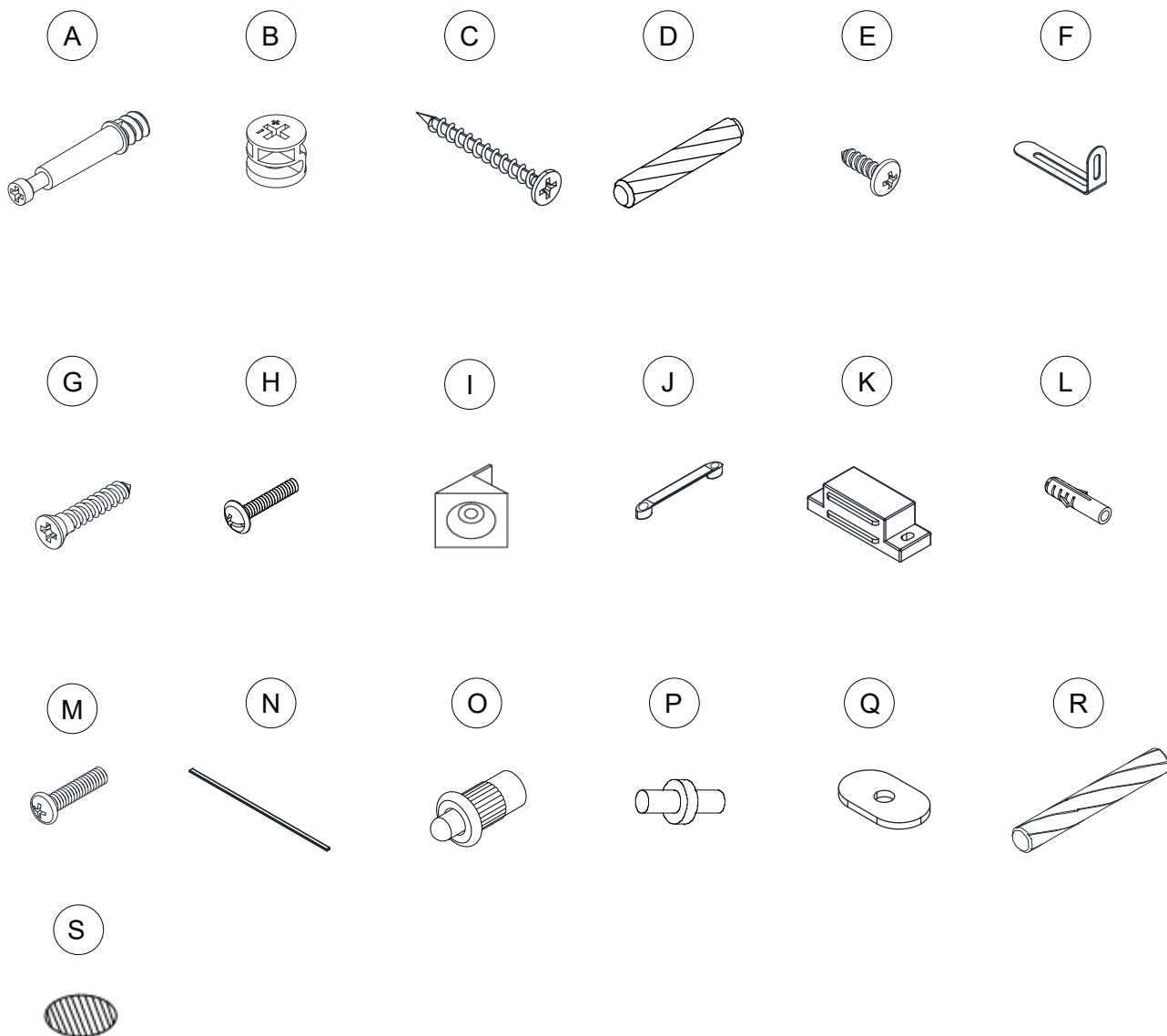


2 PERSONS

What's included

| Code | Description | Qty |
|------|------------------------|-----|
| A | Cam Bolt M6X35MM | 14 |
| B | Cam Lock 15X10MM | 14 |
| C | Screw M4X35MM | 10 |
| D | Wooden Dowel M6X30MM | 16 |
| E | Screw M4X14MM | 2 |
| F | Metal Plate | 2 |
| G | Screw M3X14MM | 28 |
| H | Bolt M4X20MM | 8 |
| I | Plastic Corner Support | 12 |
| J | Handle | 4 |
| K | Magnetic Door Catcher | 4 |
| L | Anchor M6X30MM | 2 |
| M | Bolt M6X25MM | 8 |
| N | Plastic Strip | 2 |
| O | Plastic Pin | 8 |
| P | Metal Support | 8 |
| Q | Door Metal Plate | 8 |
| R | Wooden Dowel M6X50MM | 4 |
| S | Screw Hole Sticker | 8 |

The Hardware



IMPORTANT:

1. Do not tighten bolts / screws completely until all bolts / screws are lined up and inserted into holes.
2. Do not over tighten screws and bolts to avoid stripping.
3. Please use hand tools to assemble this product. Do not use power tools.
4. Must need 2 people to assemble this product.

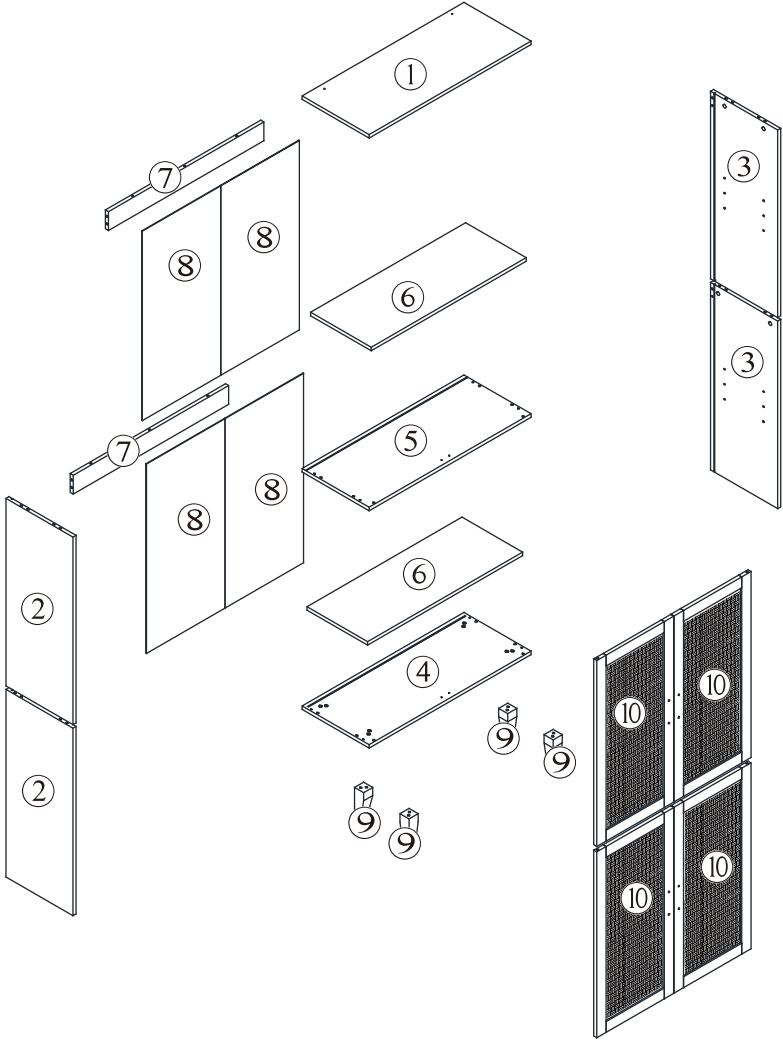


2 PERSONS

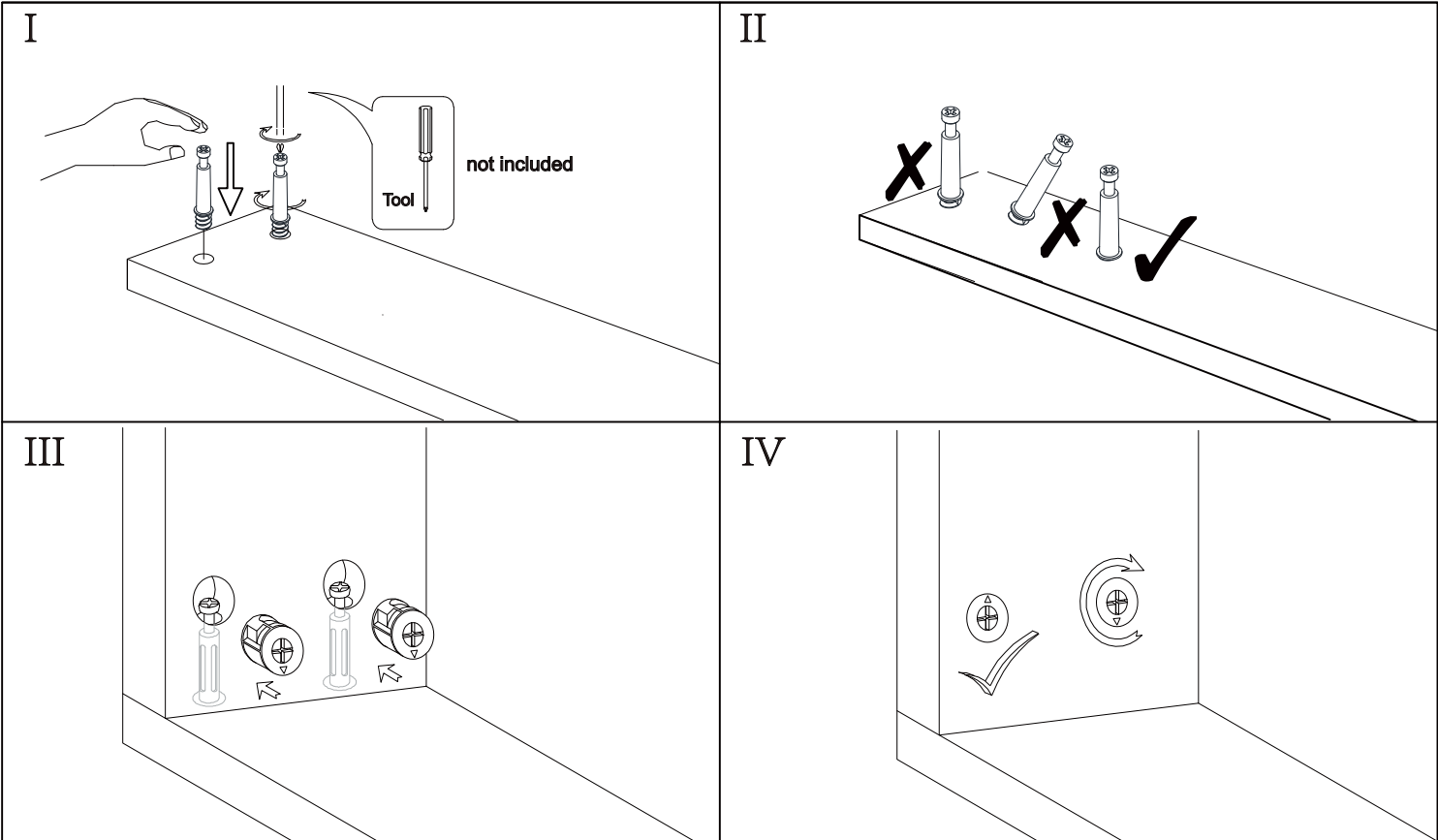
Included Accessories

| Code | Description | Qty |
|-------------|-------------------------|------------|
| 1 | Cabinet Top | 1 |
| 2 | Left Side Panel | 2 |
| 3 | Right Side Panel | 2 |
| 4 | Bottom Panel | 1 |
| 5 | Partition Panel | 1 |
| 6 | Shelf | 2 |
| 7 | Back Stretcher | 2 |
| 8 | Back Panel | 4 |
| 9 | Feet | 4 |
| 10 | Door | 4 |

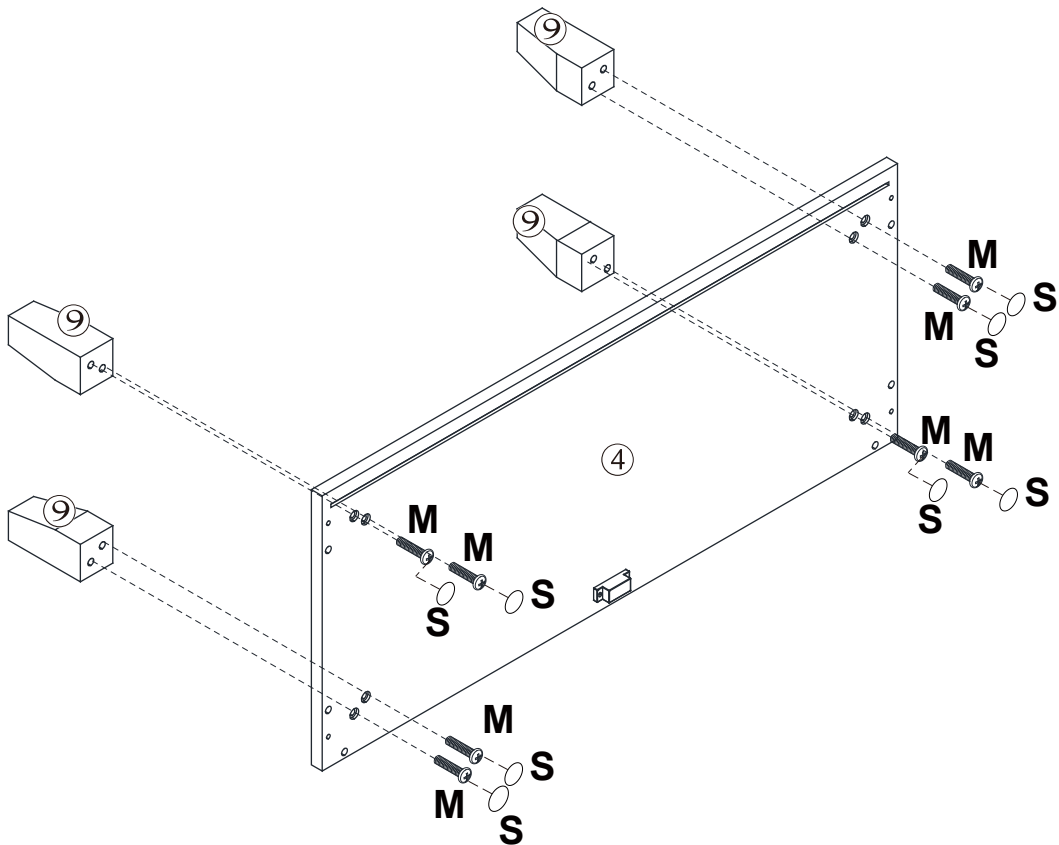
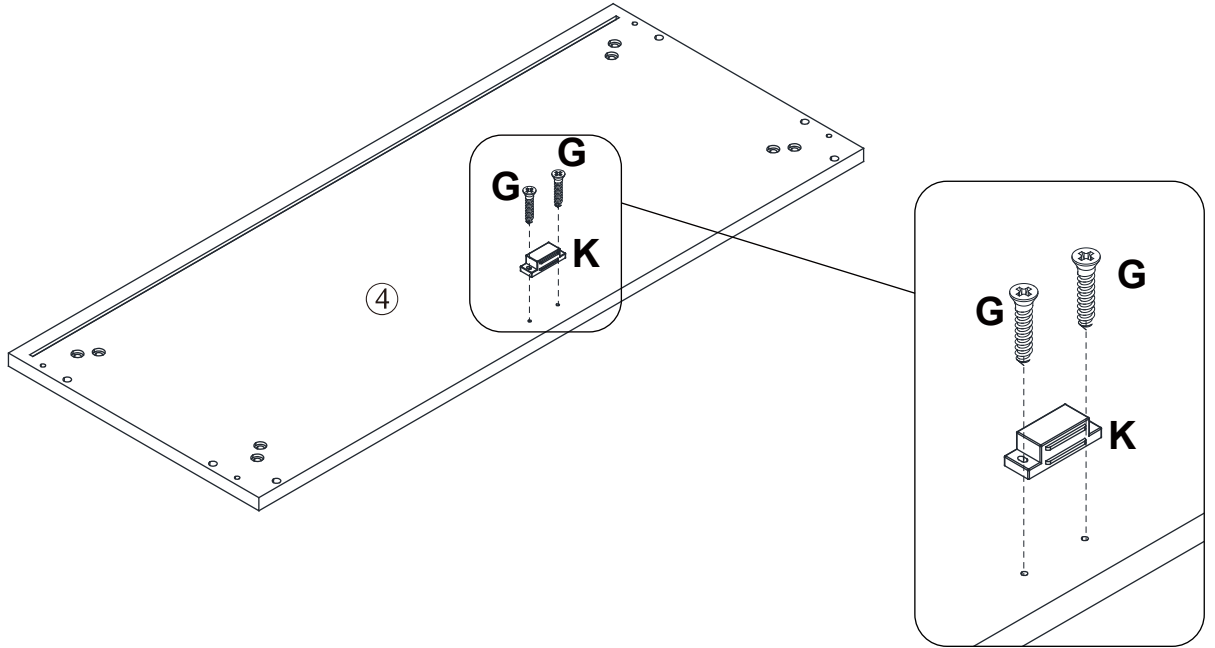
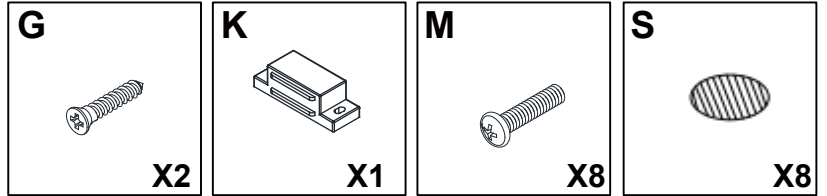
The Accessoriess



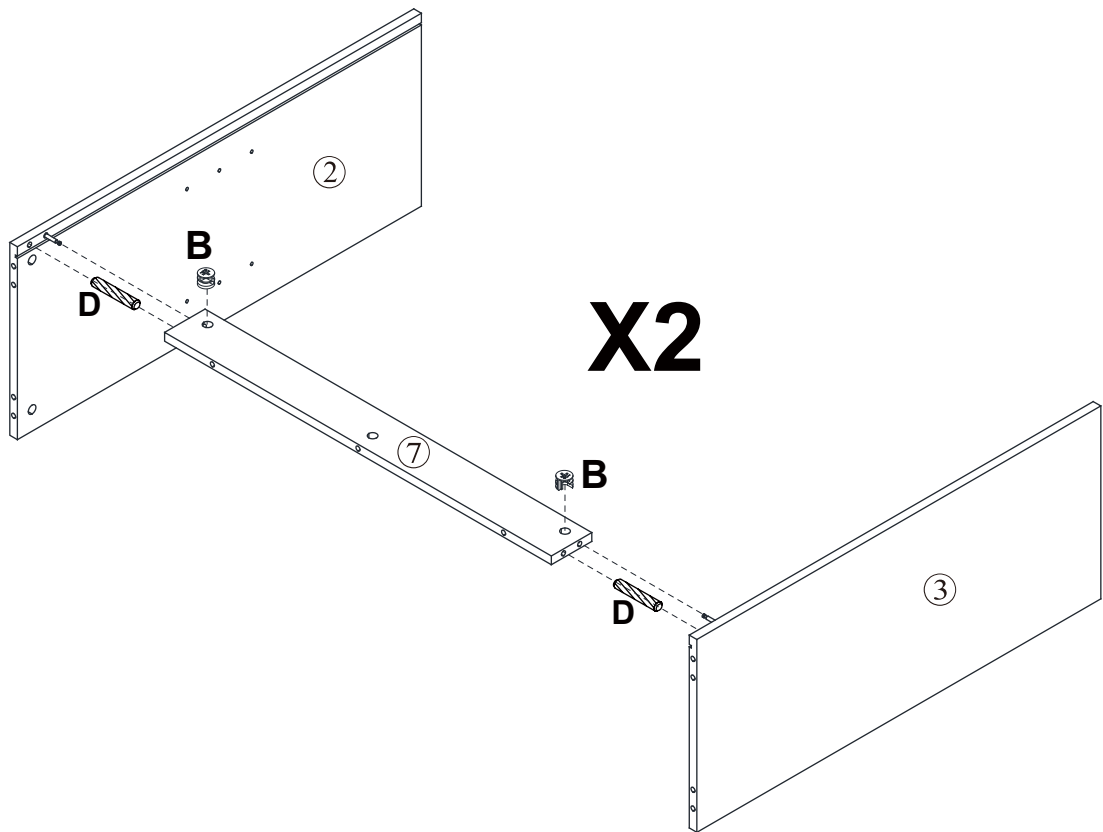
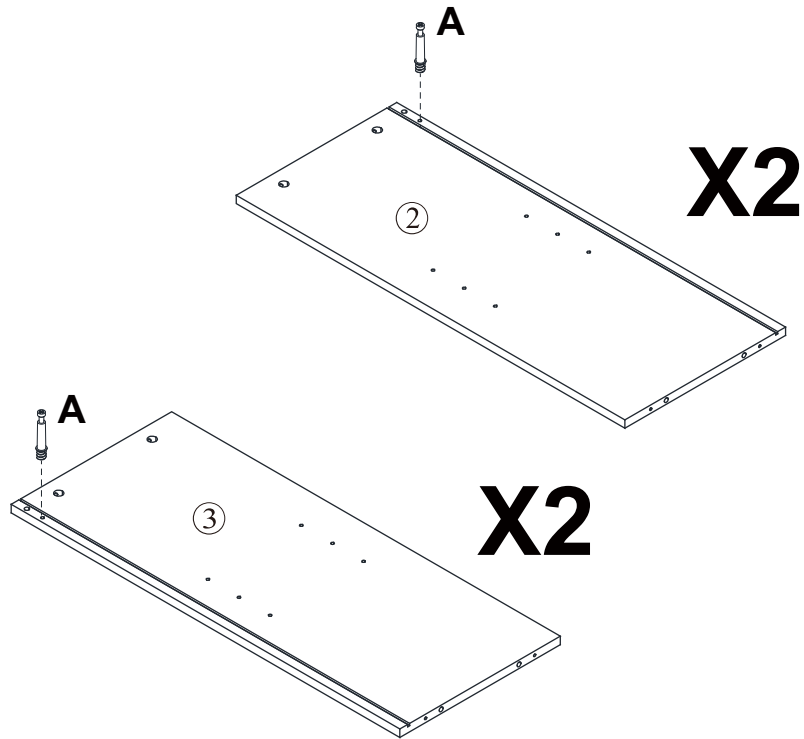
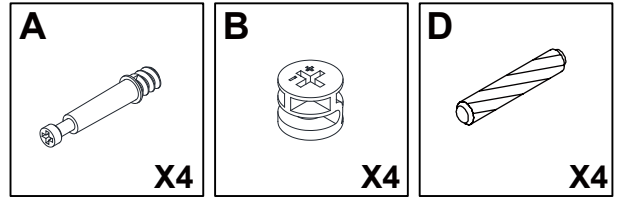
NOTED:



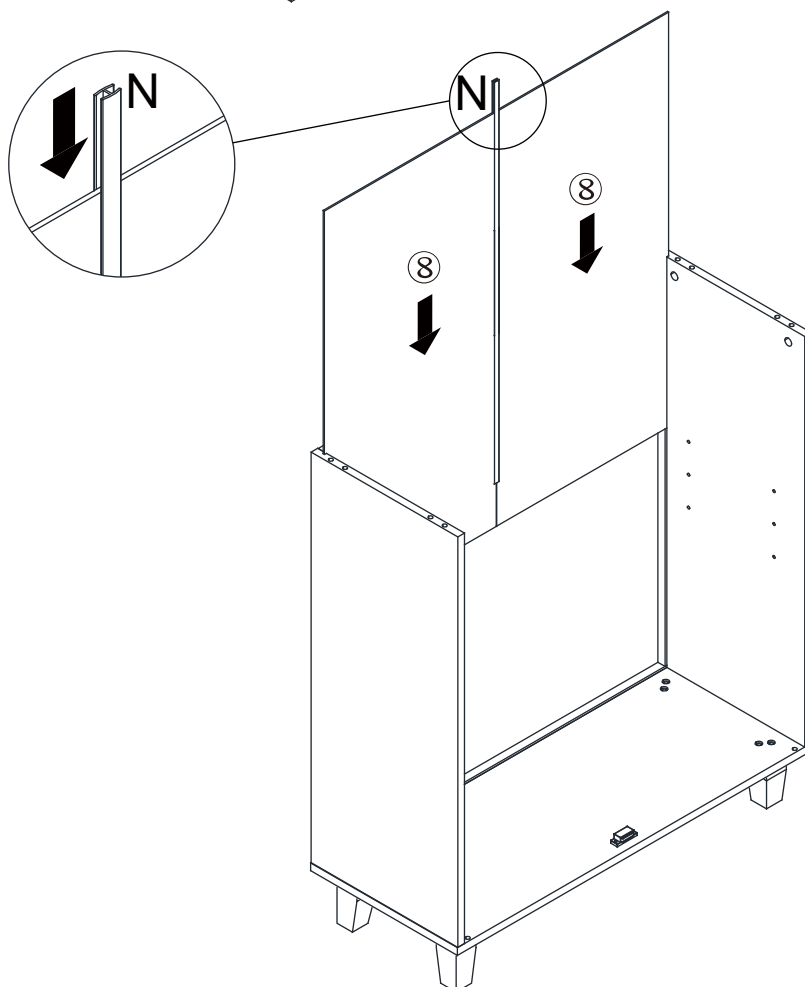
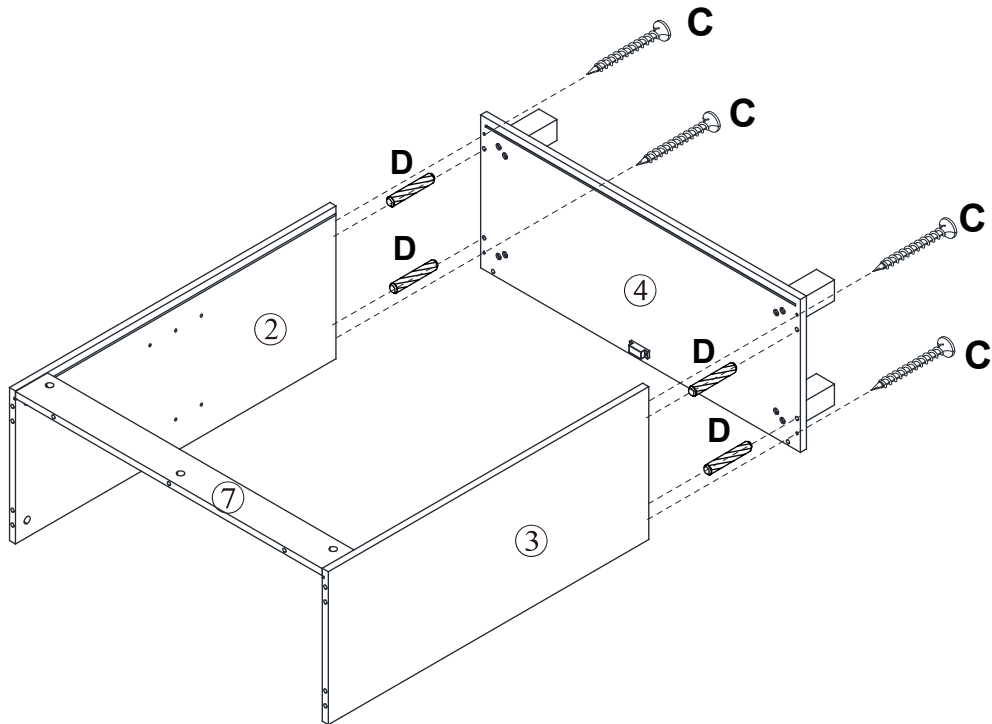
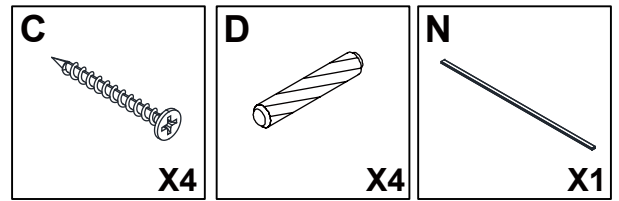
Step 1



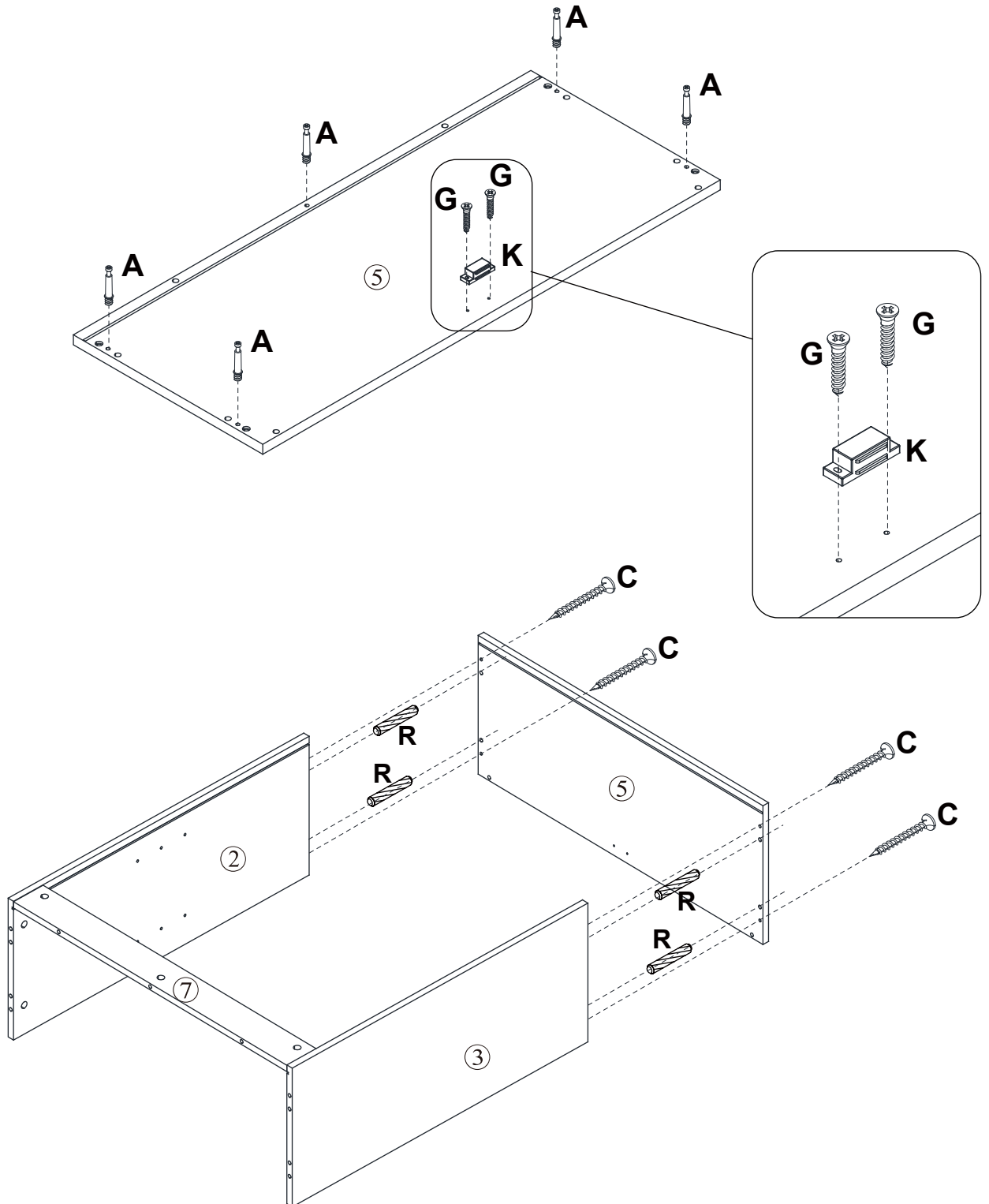
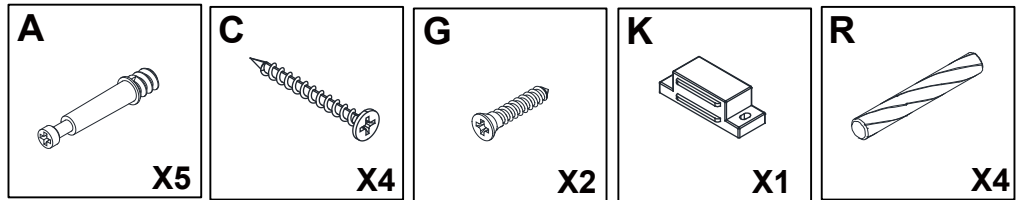
Step 2



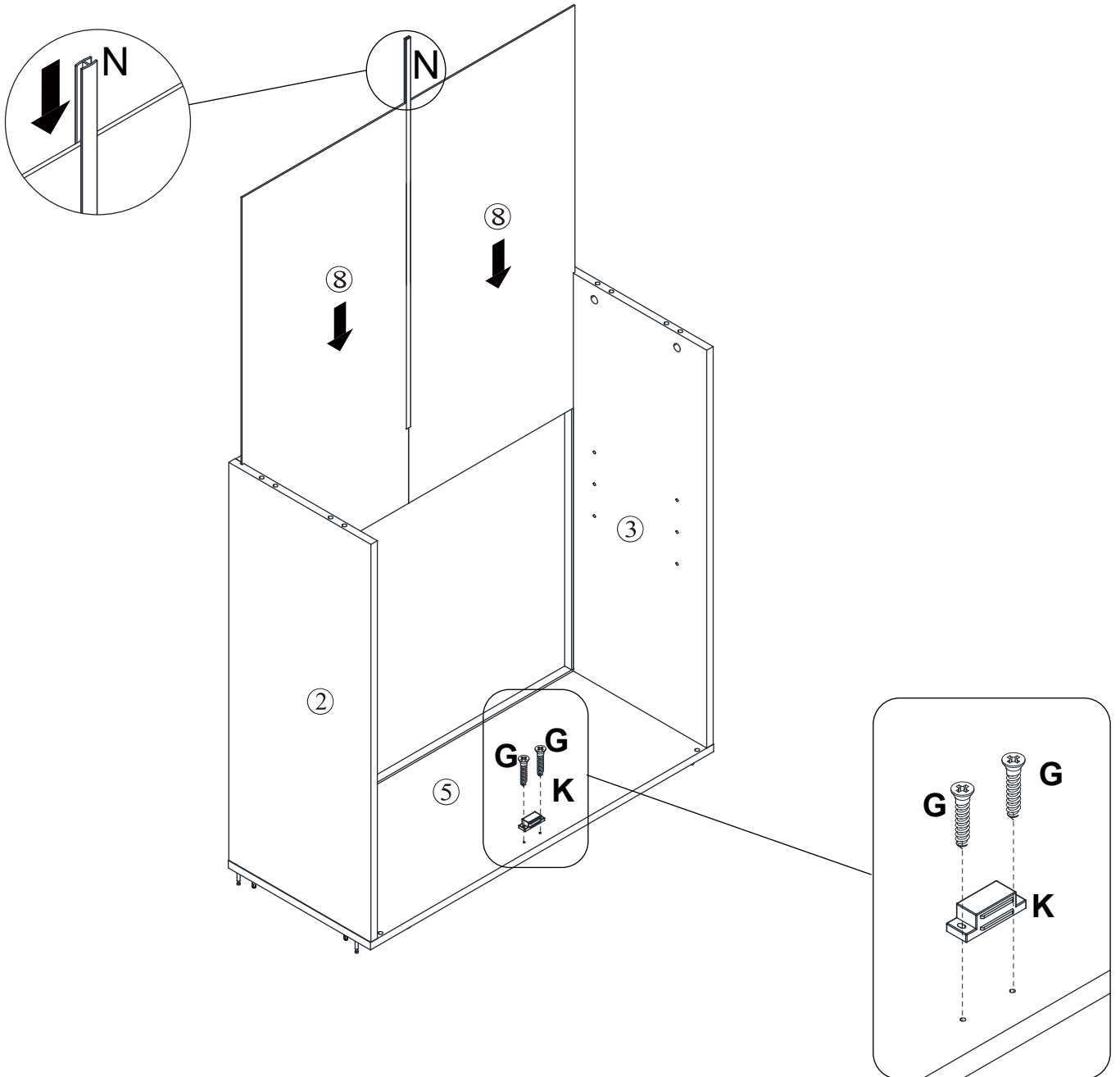
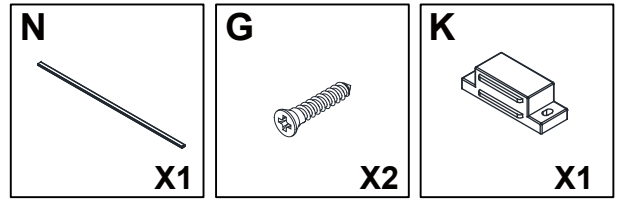
Step 3



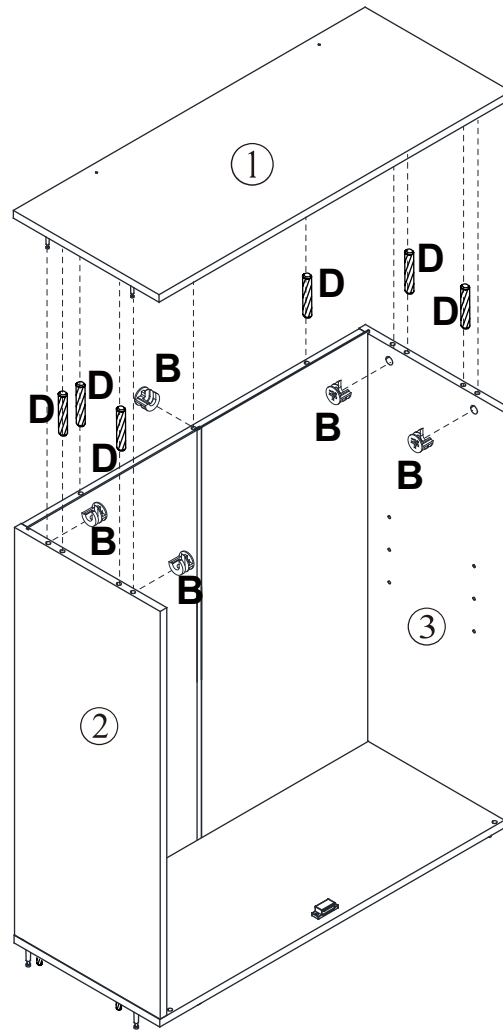
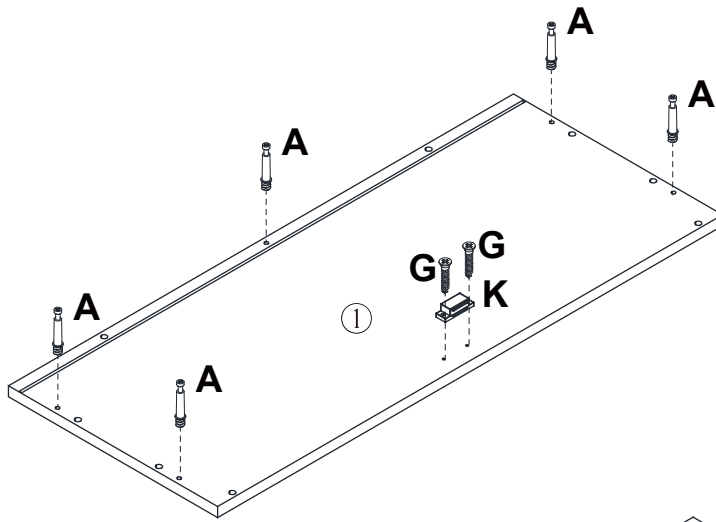
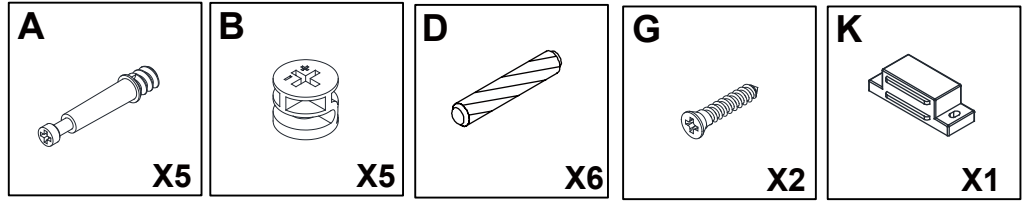
Step 4



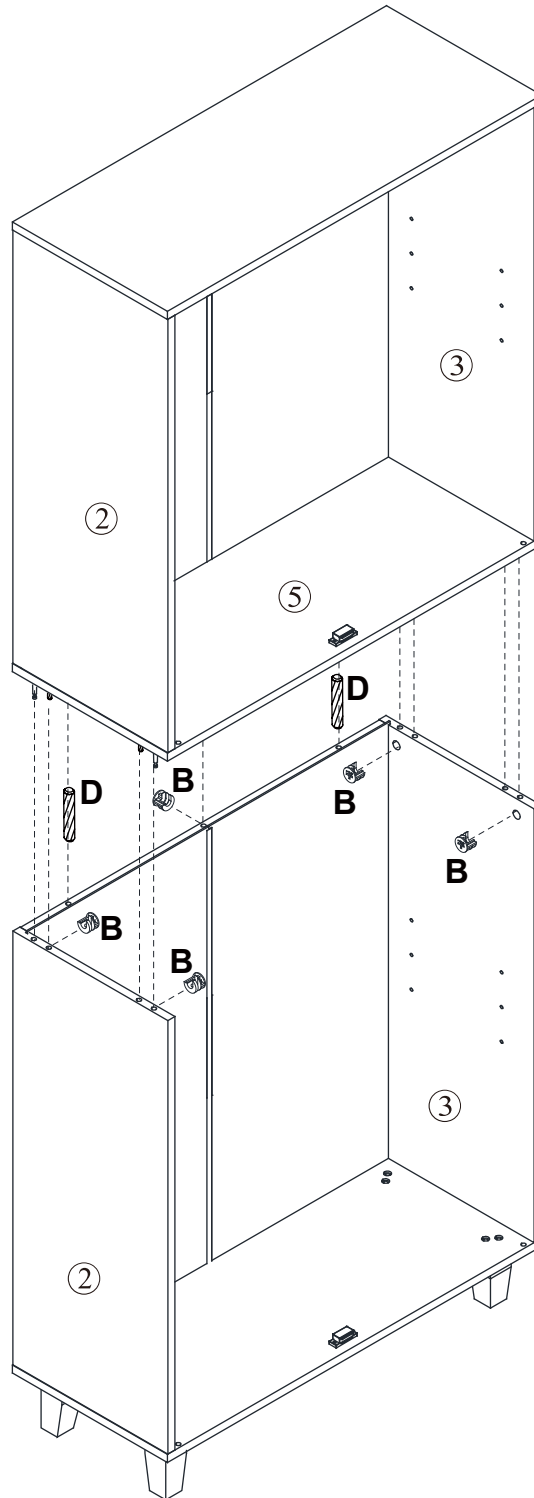
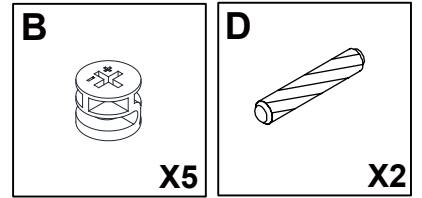
Step 5



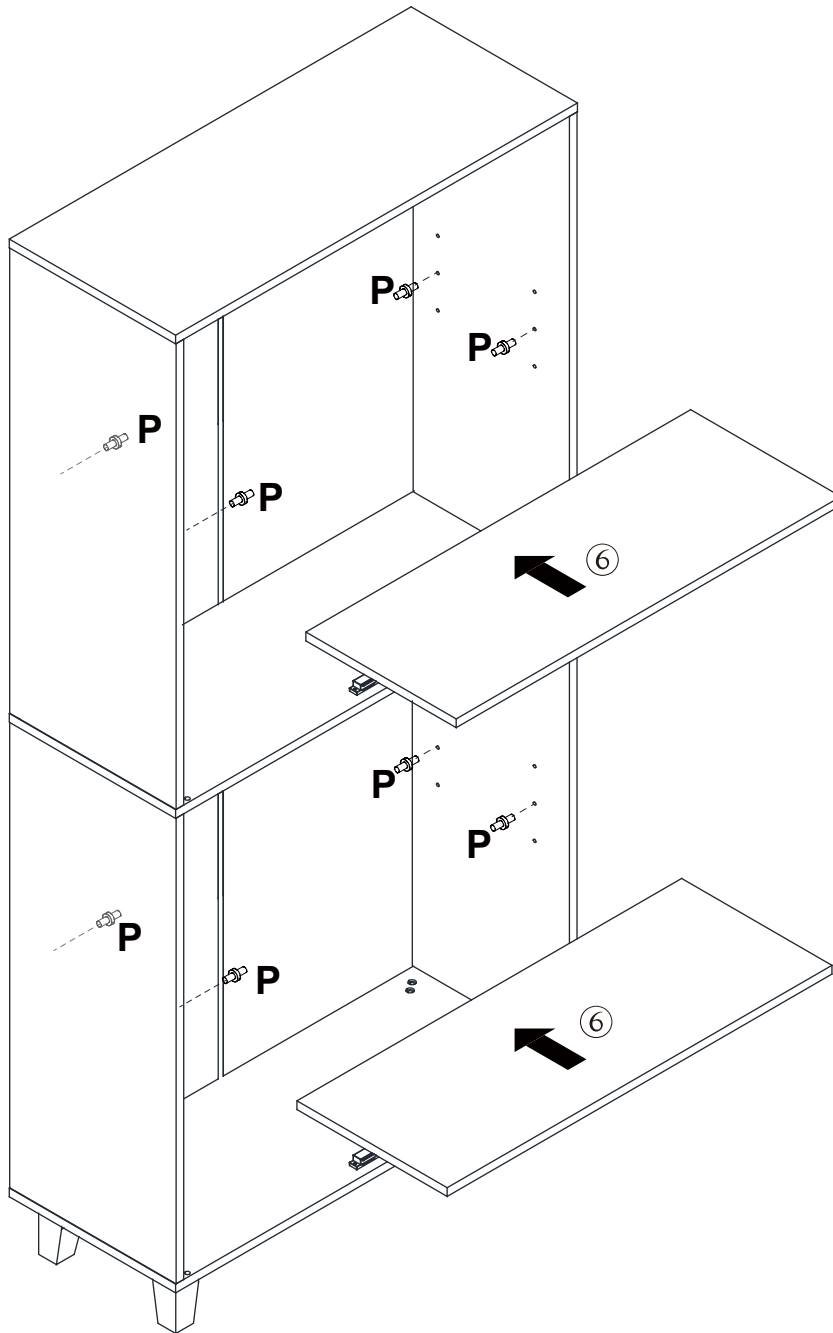
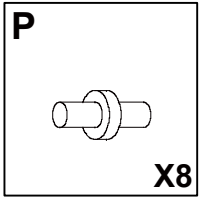
Step 6



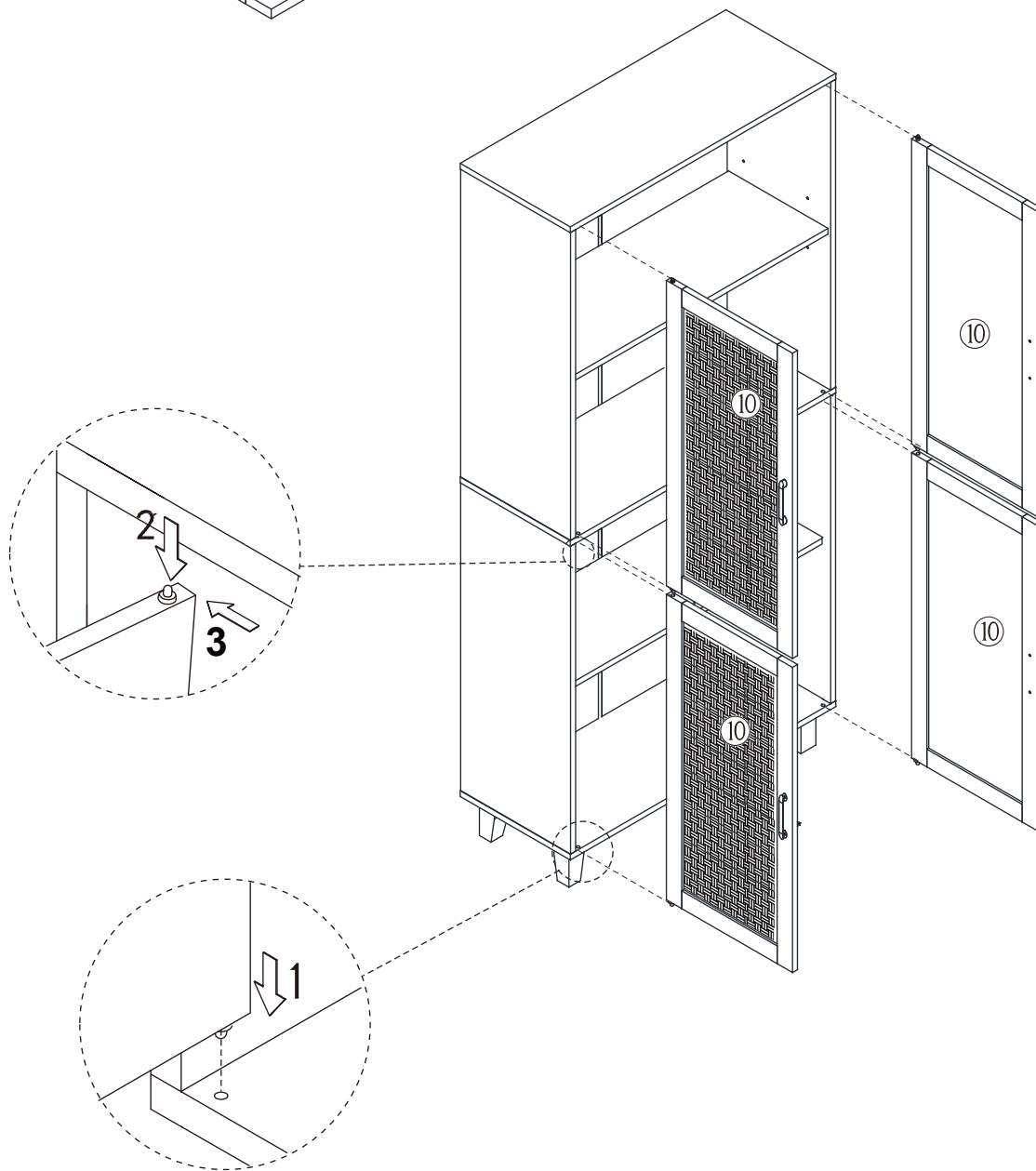
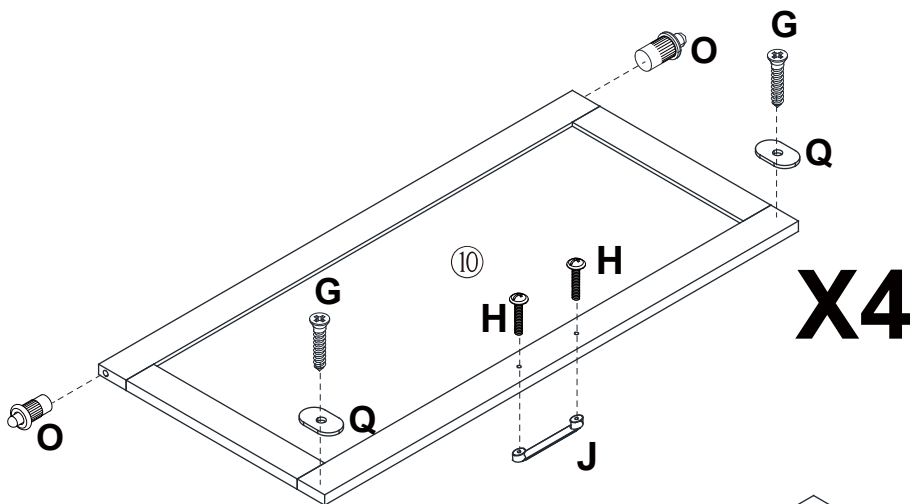
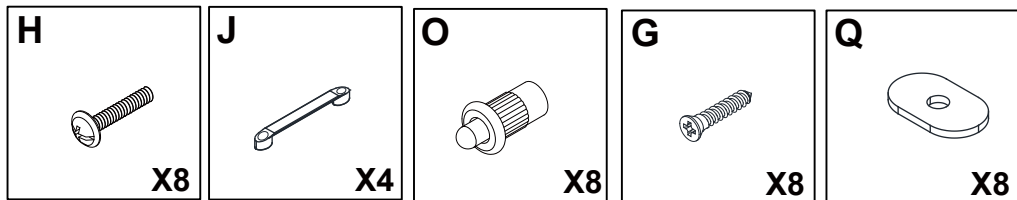
Step 7



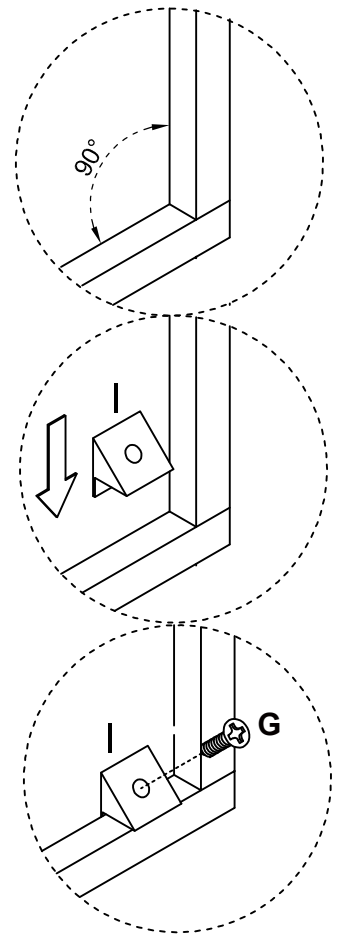
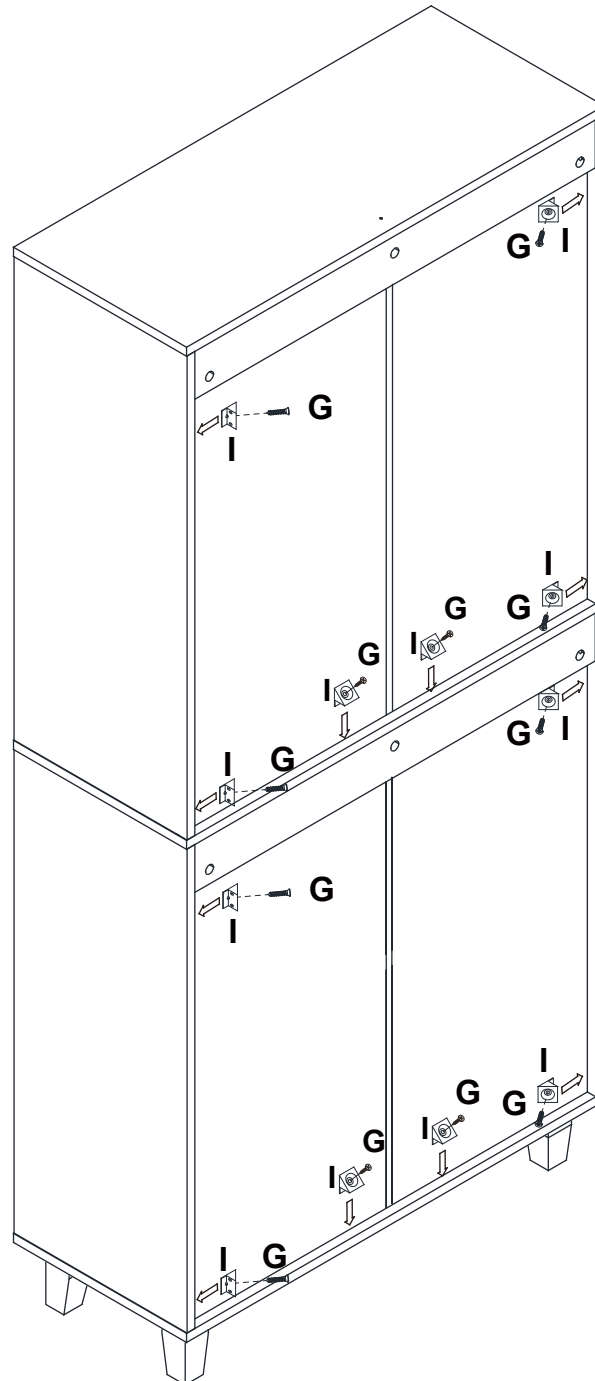
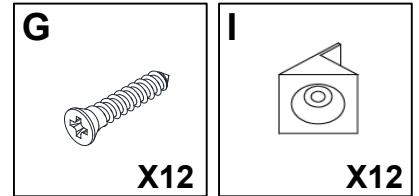
Step 8



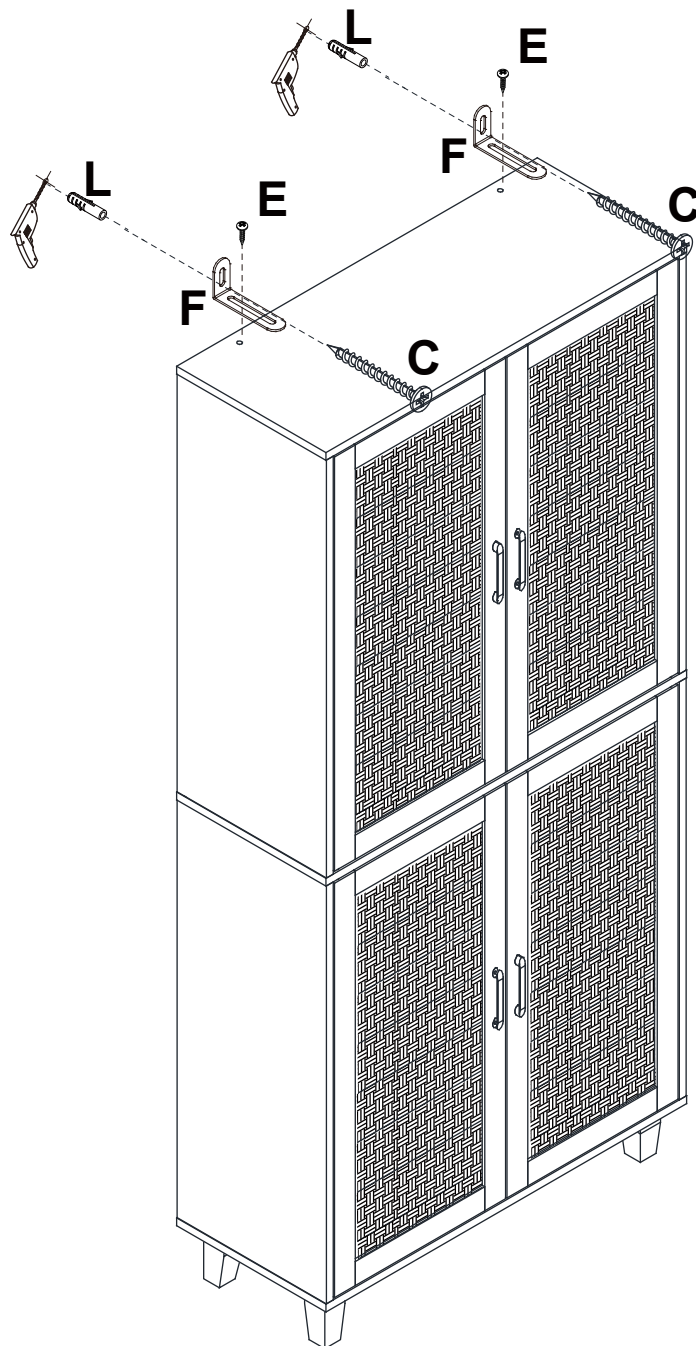
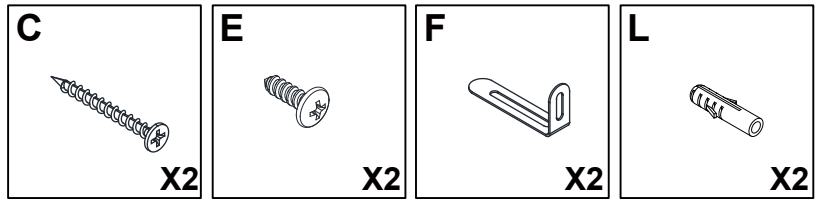
Step 9



Step 10



Step 11



Proper Use

- DO NOT** use for commercial purposes
- DO NOT** use as a step stool or stand on table
- DO NOT** put hot serving liquid directly on the table top
- DO NOT** leave spilled liquid on the table top
- DO NOT** use table if damaged
- DO NOT** exceed weight limit
- DO NOT** make temporary repairs
- DO NOT** use outdoor

Dear Customer:

Thank you for purchasing our product, we wish you satisfy our service, if you have any further questions or any quality issues, please show the belows number and don't hesitate to contact our Customer Service People :

W688202311