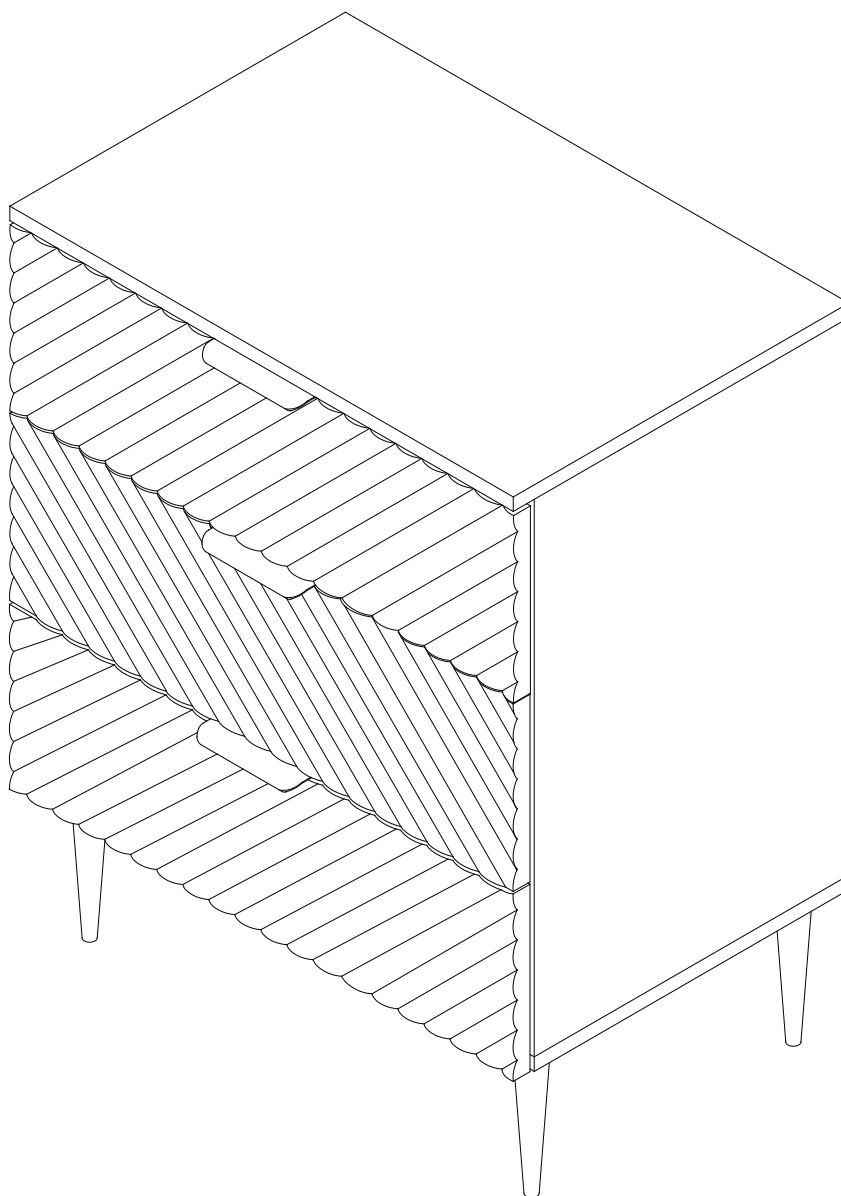


# Installation Instruction



Product Name

---

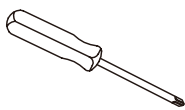
**3 Drawer Cabinet**

Ver.1.0 20230810

# Assembling

## What you need

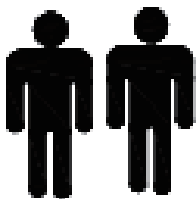
- Use the packaging carton as a working surface to prevent product damage during assembly
- Phillips head screwdriver



## Weight Limitation



**50** | **20** | **11**  
lbs table top | lbs per shelf | lbs per drawer



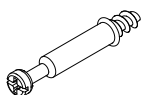
2 PERSONS

# What 's included

Code	Description	Qty
A	Cam Bolt M6X35MM	25
B	Cam Lock 15X10MM	25
C	Wooden Dowel M6X30MM	13
D	Screw M4X35MM	24
E	Plastic Corner Support	8
F	Screw M4X14MM	18
G	Handle	3
H	Anchor M6X30MM	2
I	Screw M3X16MM	8
J	Slide Sets	3
K	Screw M3X12MM	42
L	Metal Plate	2

# The hardware

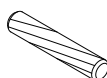
(A)



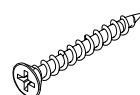
(B)



(C)



(D)



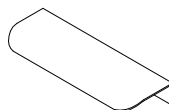
(E)



(F)



(G)



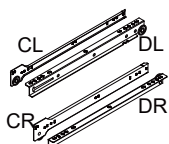
(H)



(I)



(J)



(K)



(L)



## IMPORTANT :

1. Do not tighten bolts / screws completely until all bolts / screws are lined up and inserted into holes.
2. Do not over tighten screws and bolts to avoid stripping.
3. Please use hand tools to assemble this product. Do not use power tools.
4. Must need 2 people to assemble this product.

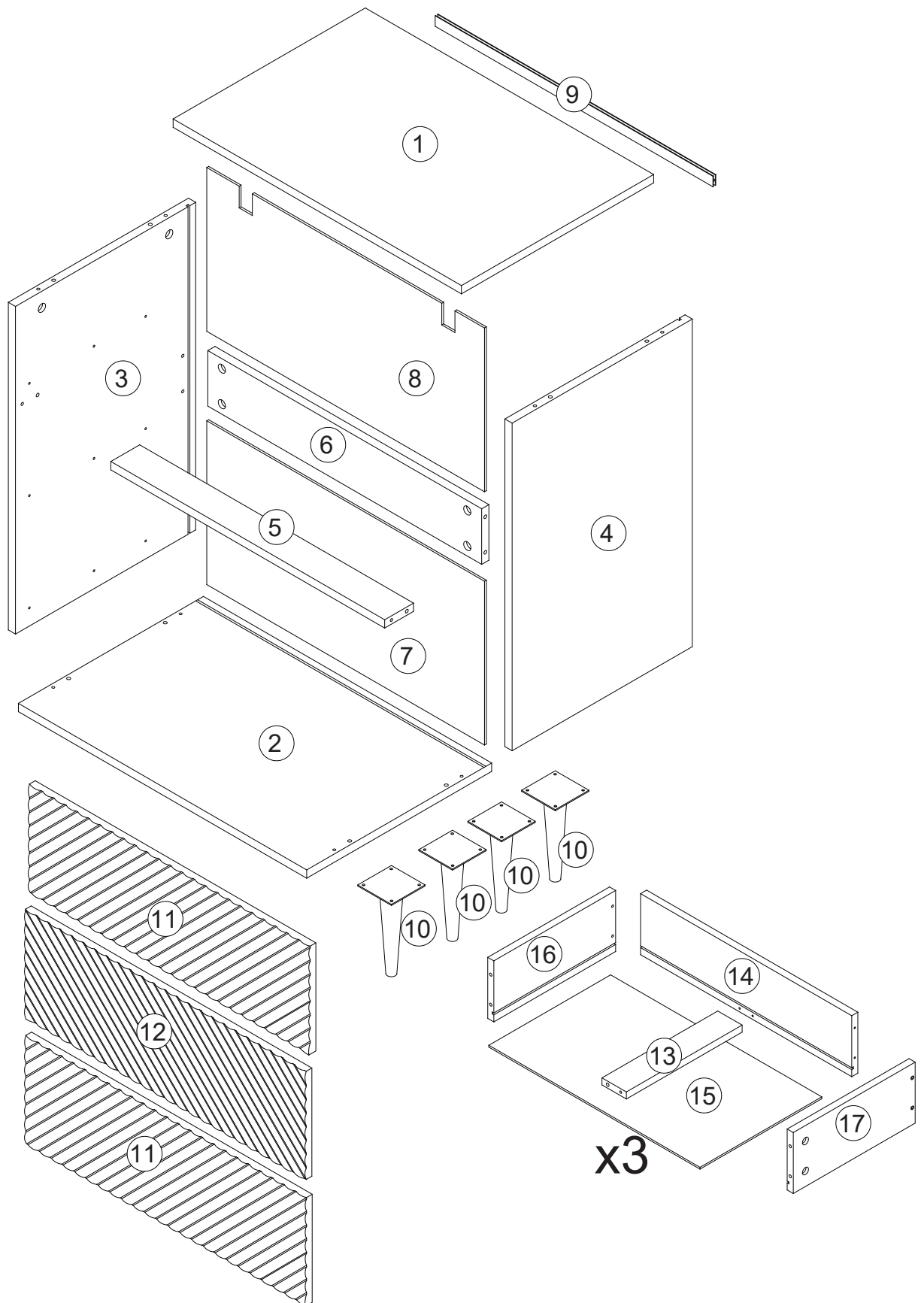


2 PERSONS

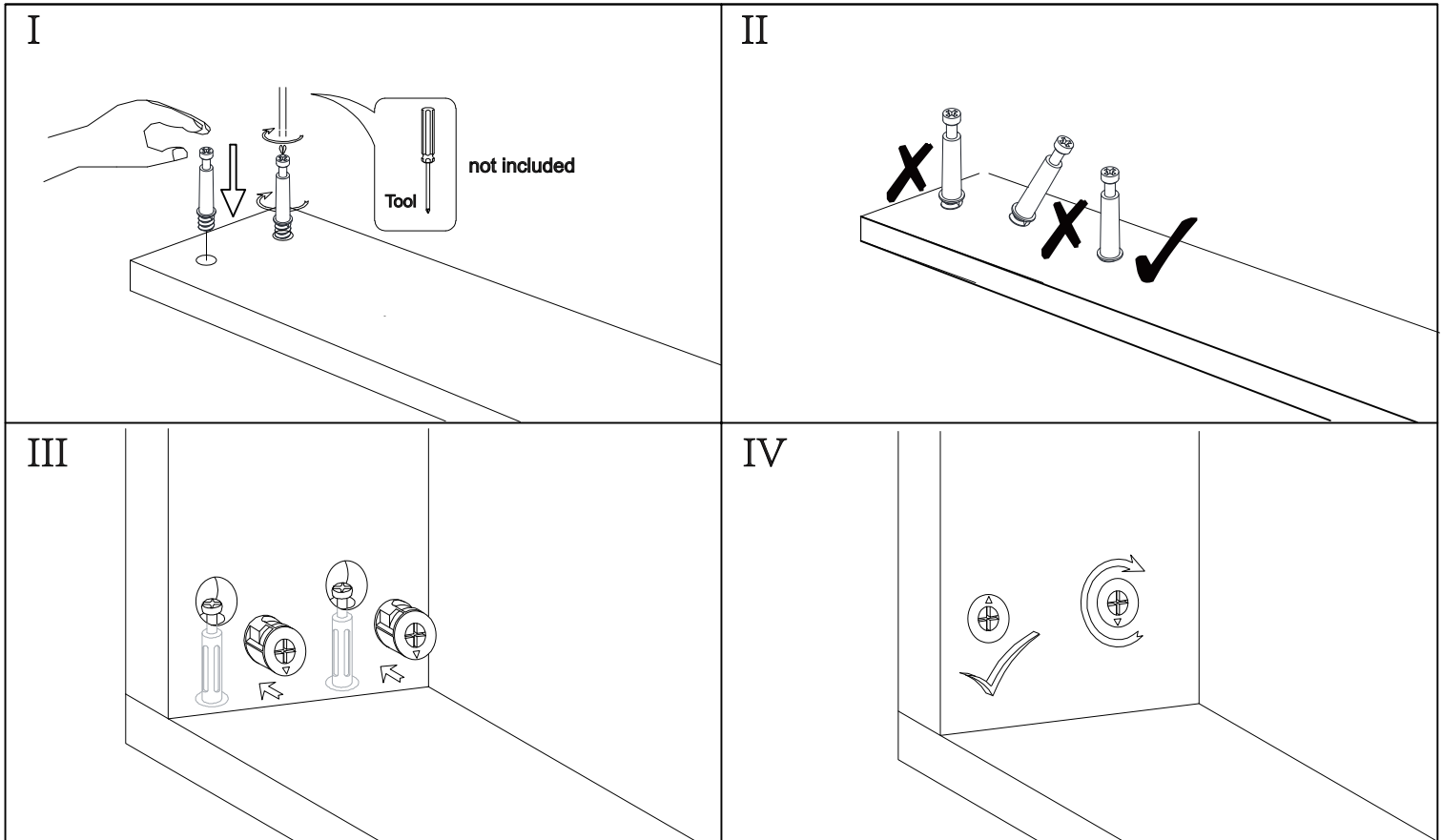
# Included Accessories

Code	Description	Qty
1	Cabinet Top	1
2	Bottom Panel	1
3	Left Side Panel	1
4	Right Side Panel	1
5	Support Panel	1
6	Horizontal Stretcher	1
7	Lower Back Panel	1
8	Upper Back Panel	1
9	Back Stretcher	1
10	Feet	4
11	Upper and Lower Drawer Front Panel	2
12	Middle Drawer Front Panel	1
13	Drawer Support Panel	3
14	Drawer Back Panel	3
15	Drawer Bottom Panel	3
16	Drawer Left Side Panel	3
17	Drawer Right Side Panel	3

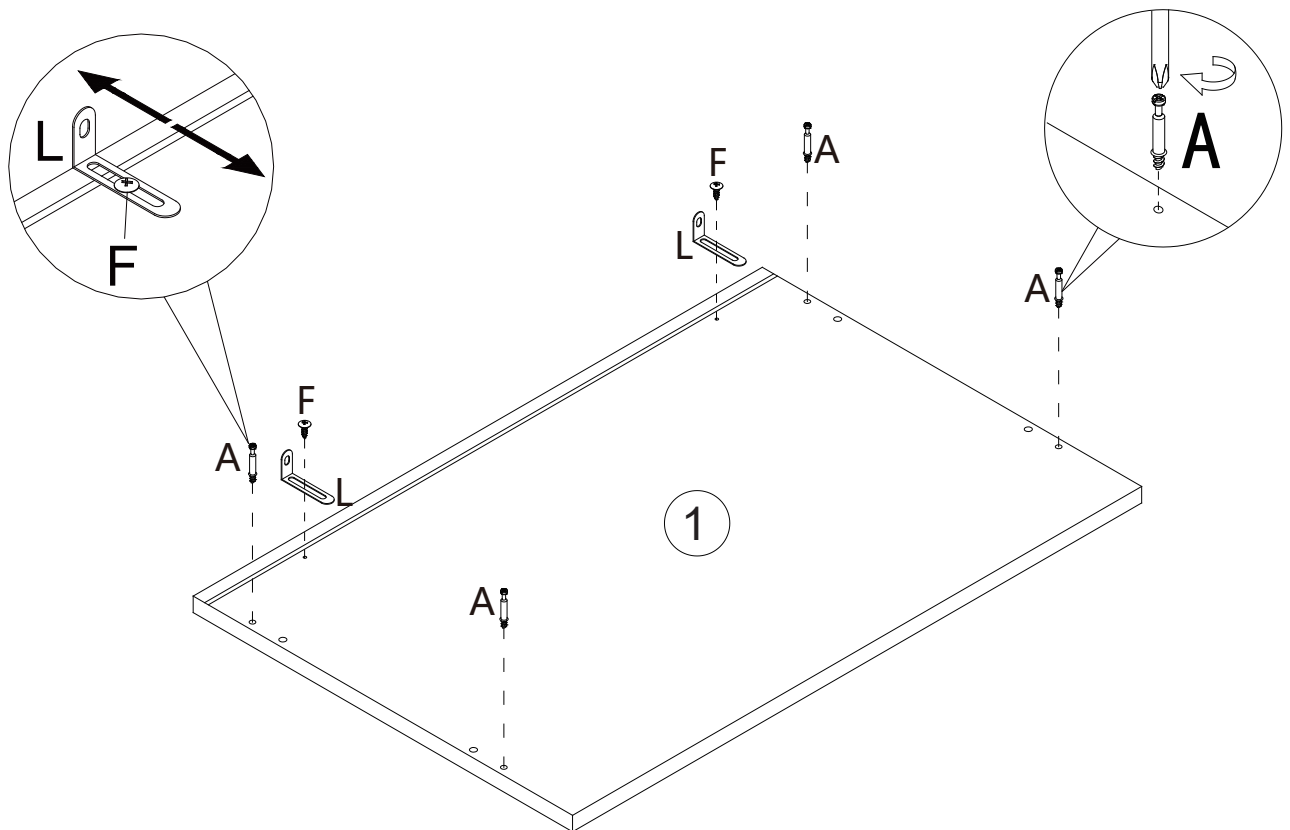
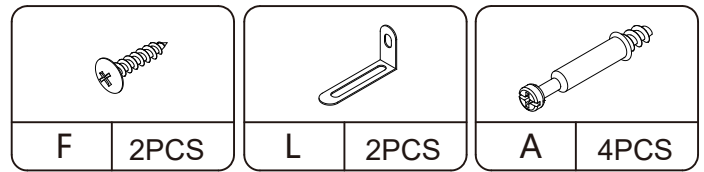
# The Accessoriess



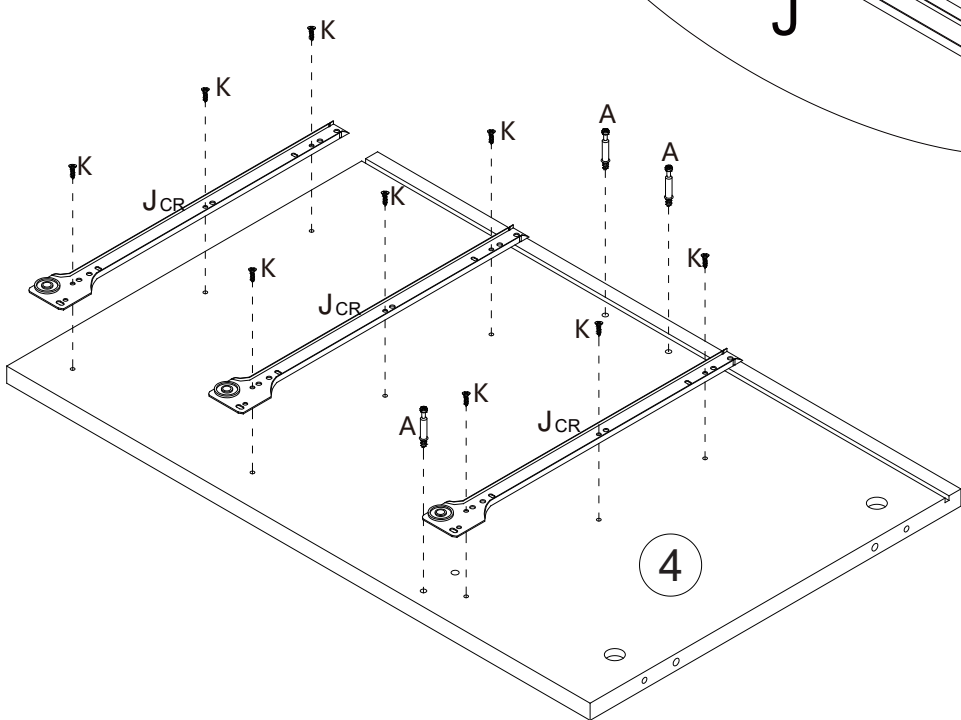
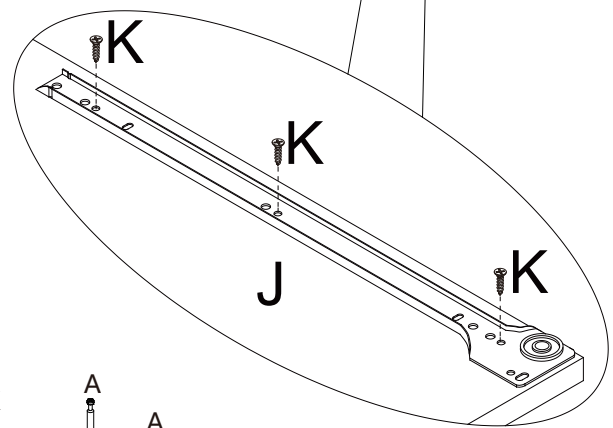
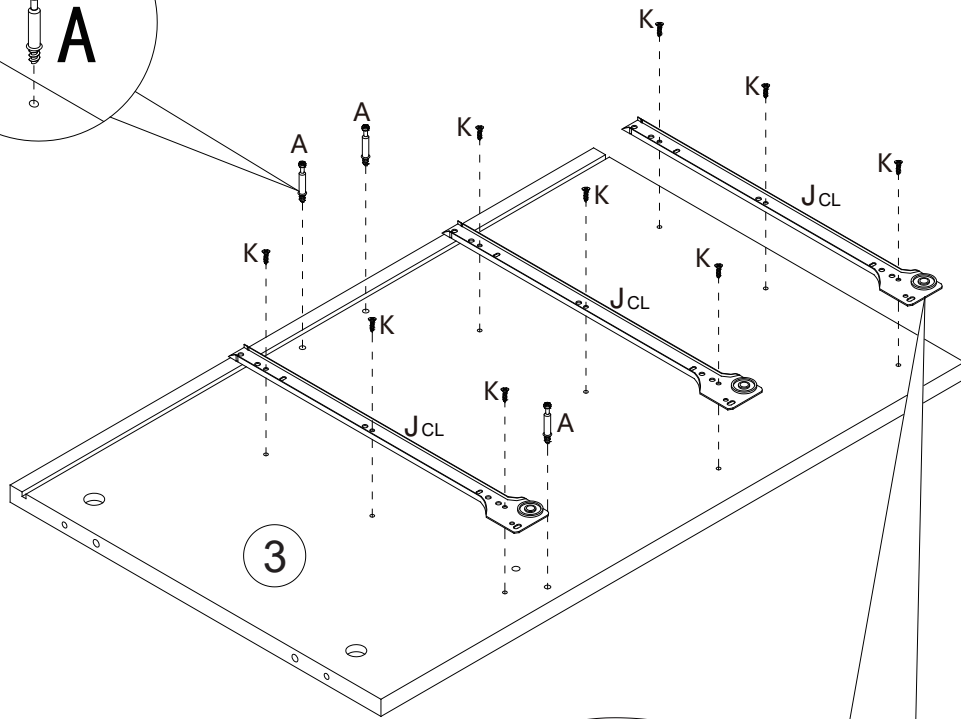
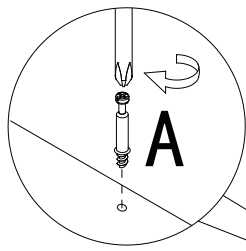
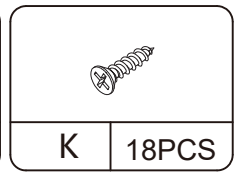
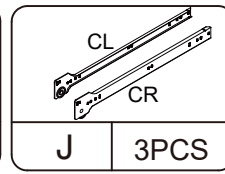
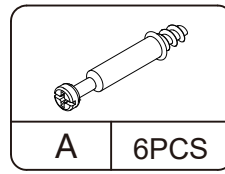
**NOTED:**



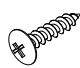

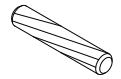
# Step 1

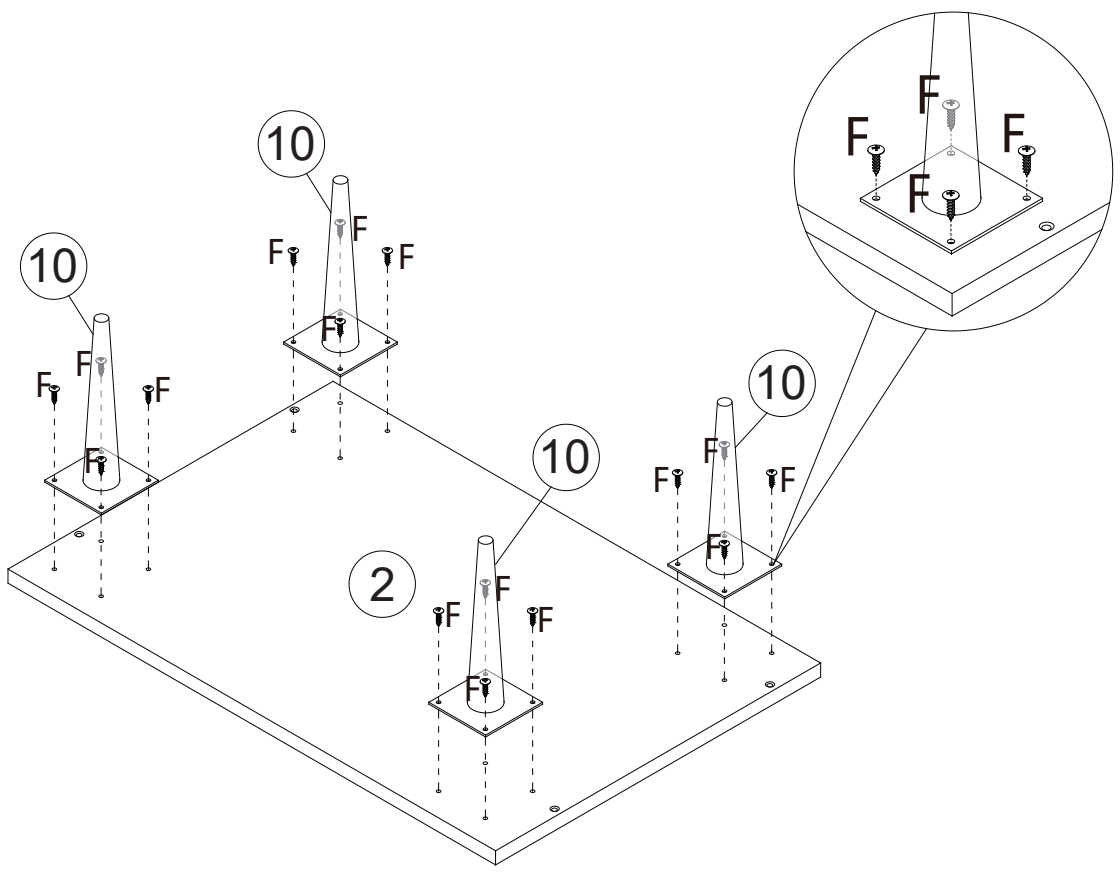
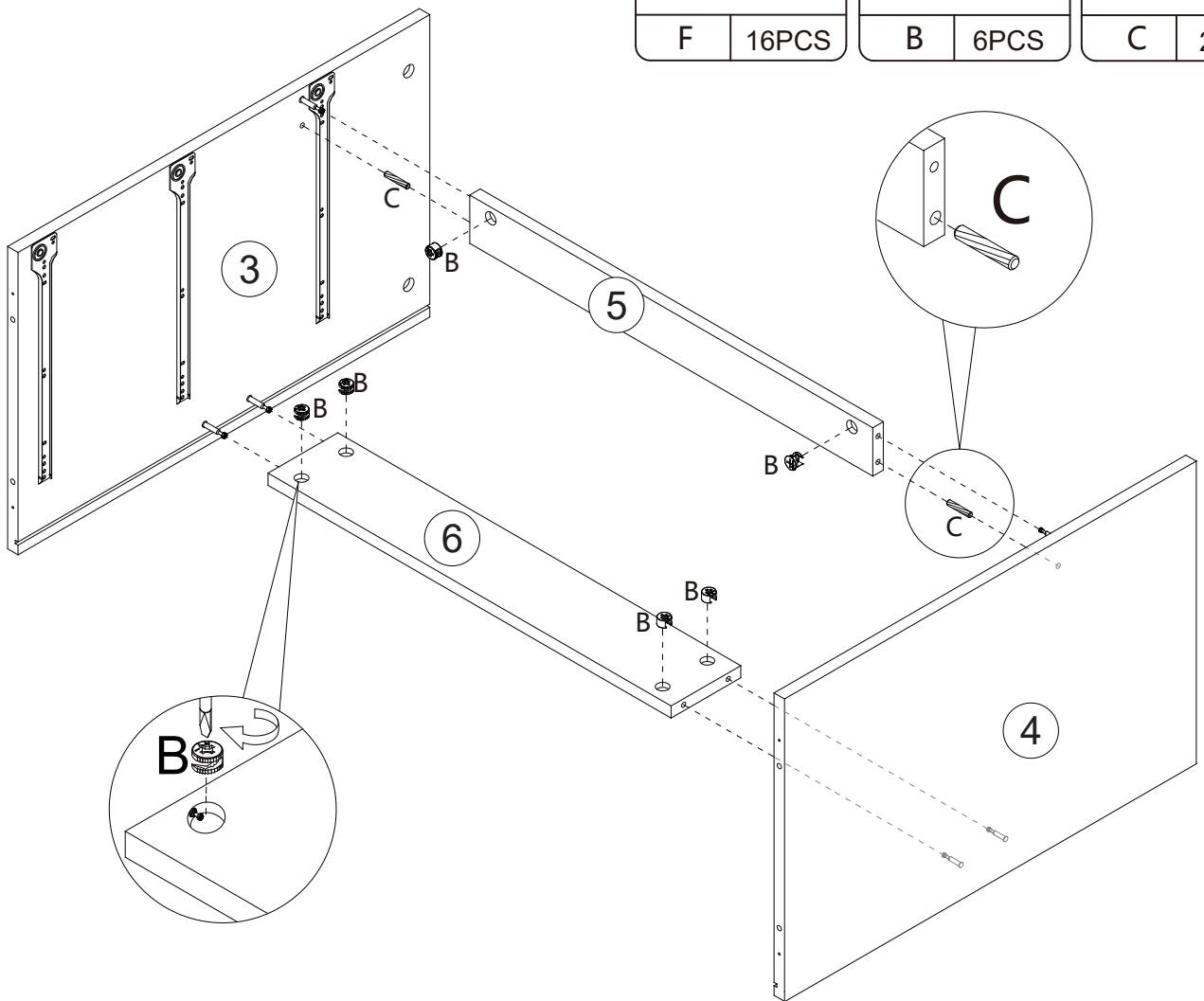


# Step 2



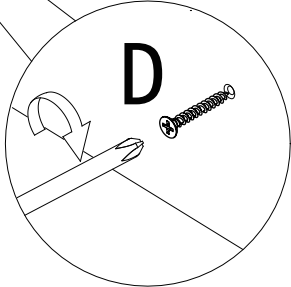
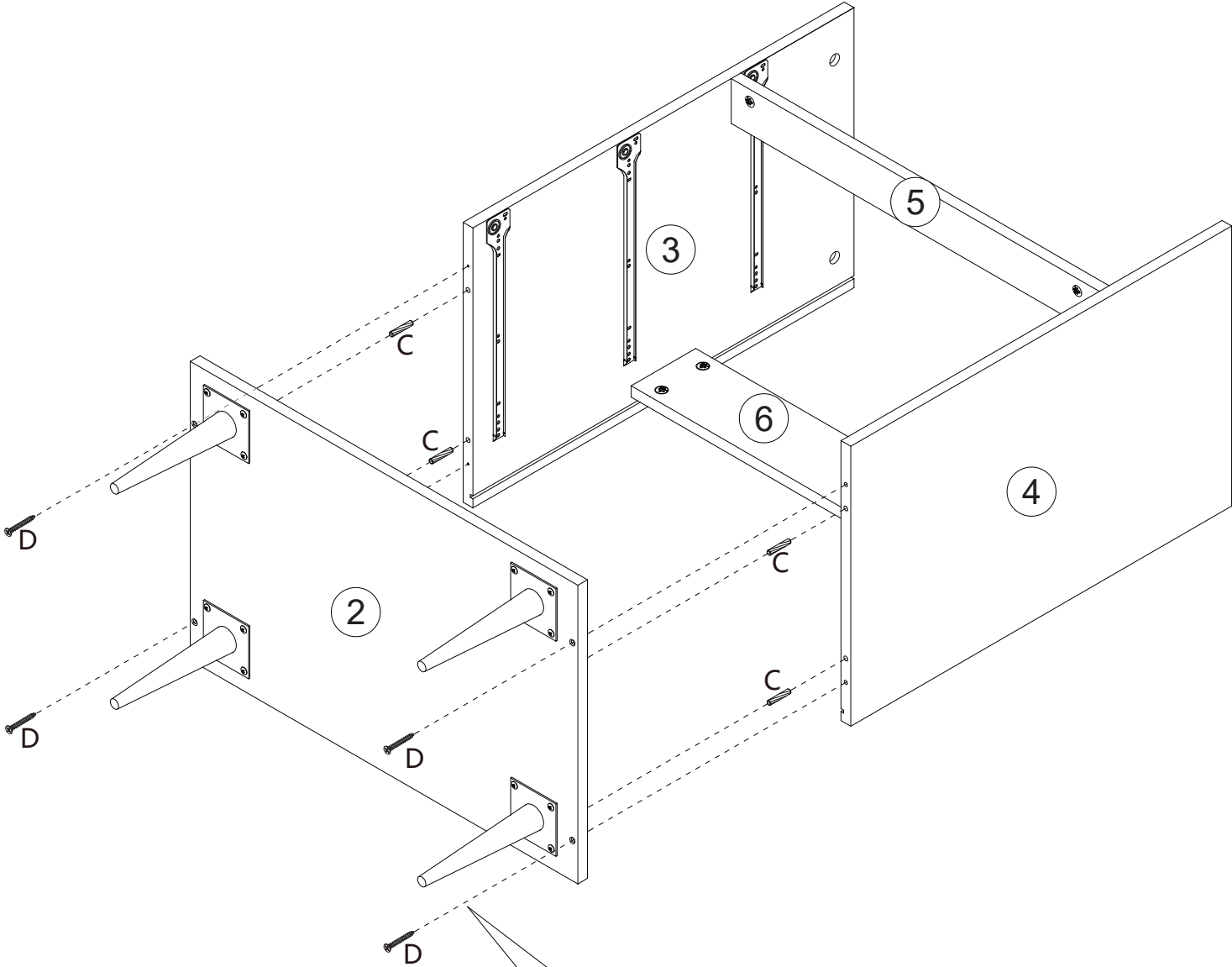
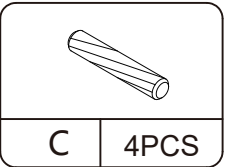
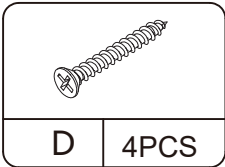
# Step 3

					
F	16PCS	B	6PCS	C	2PCS

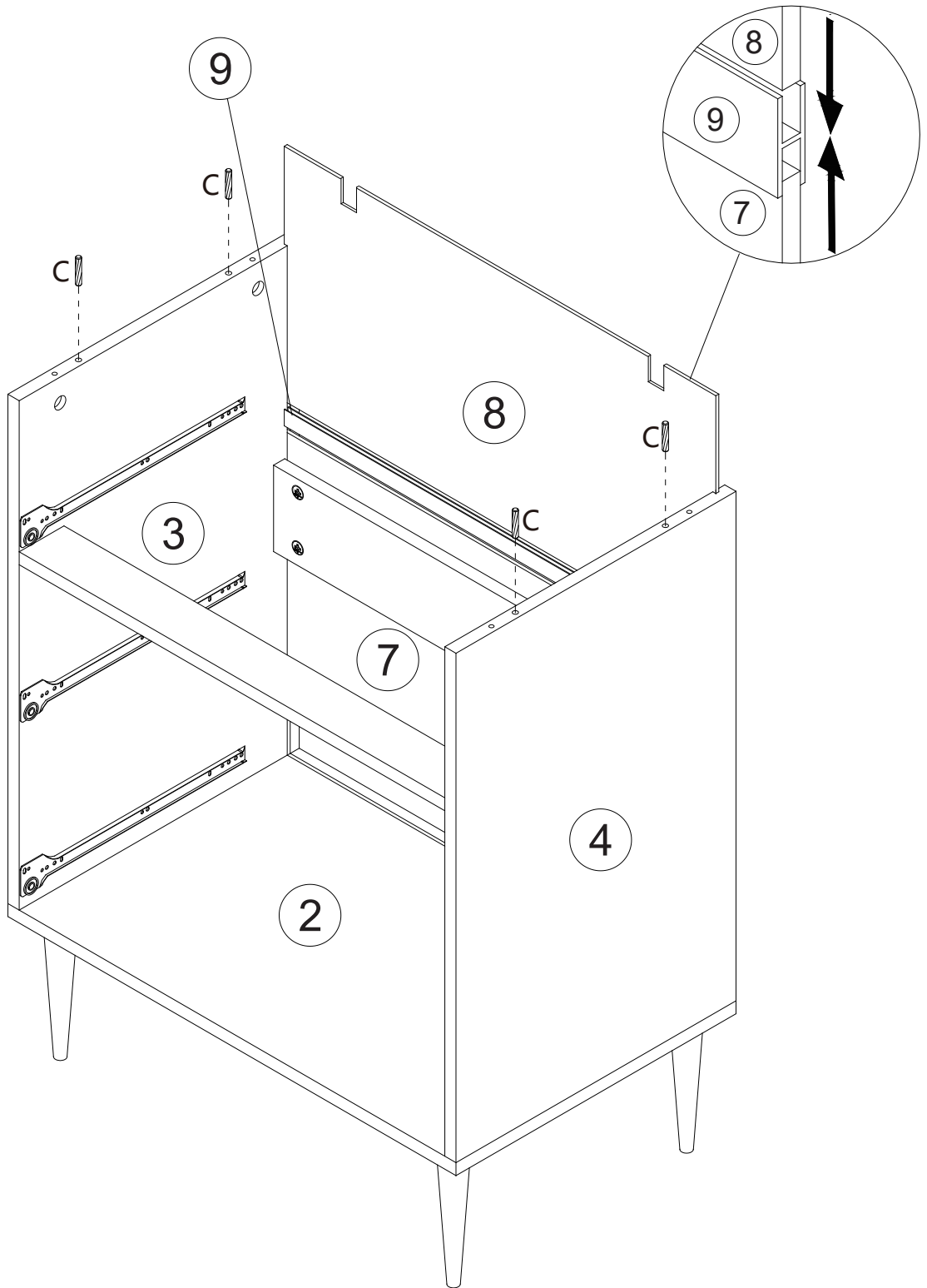
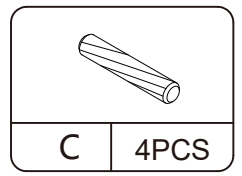




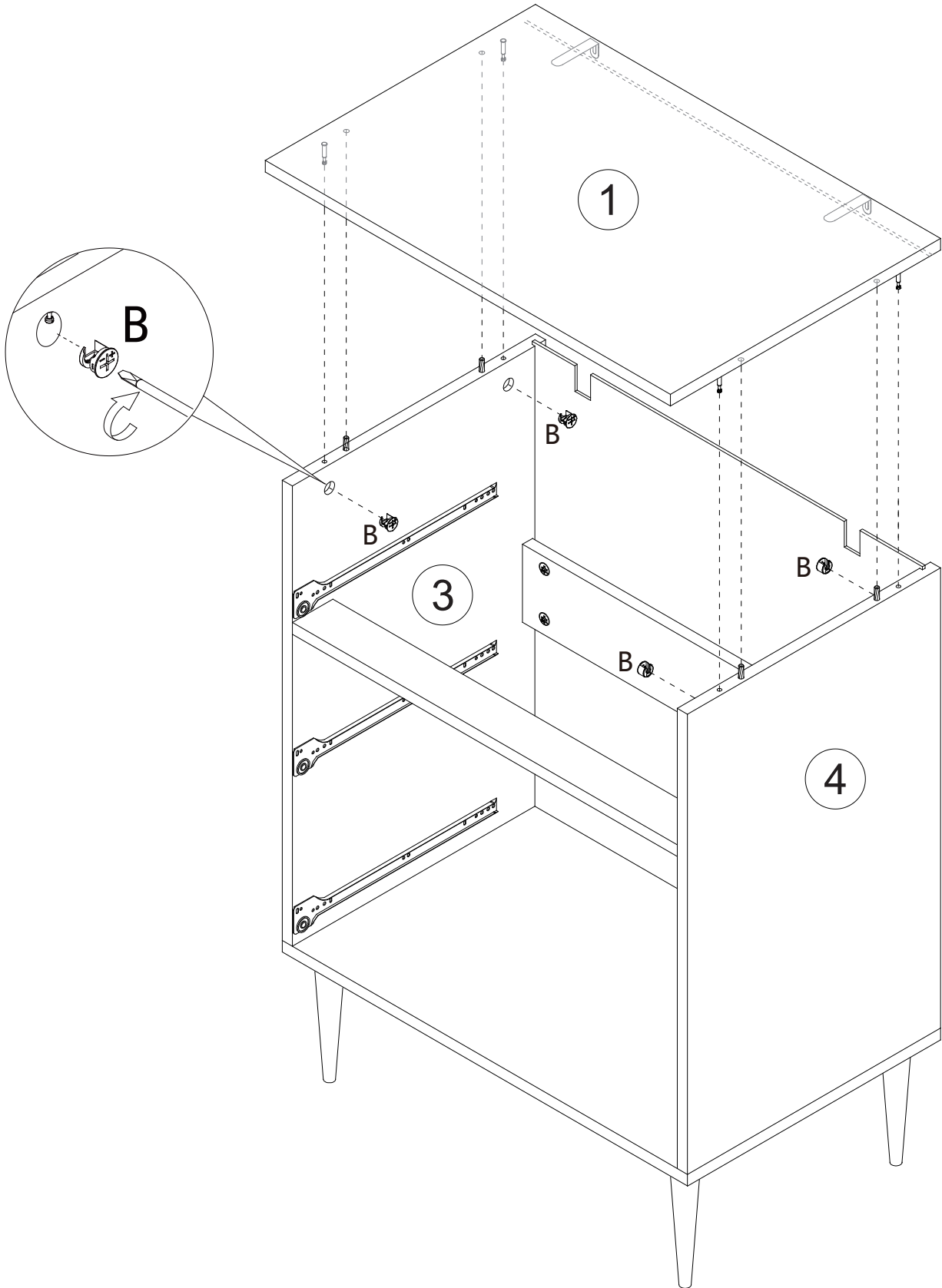
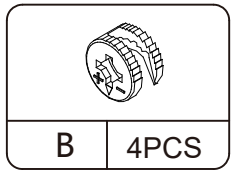
# Step 4




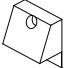
# Step 5

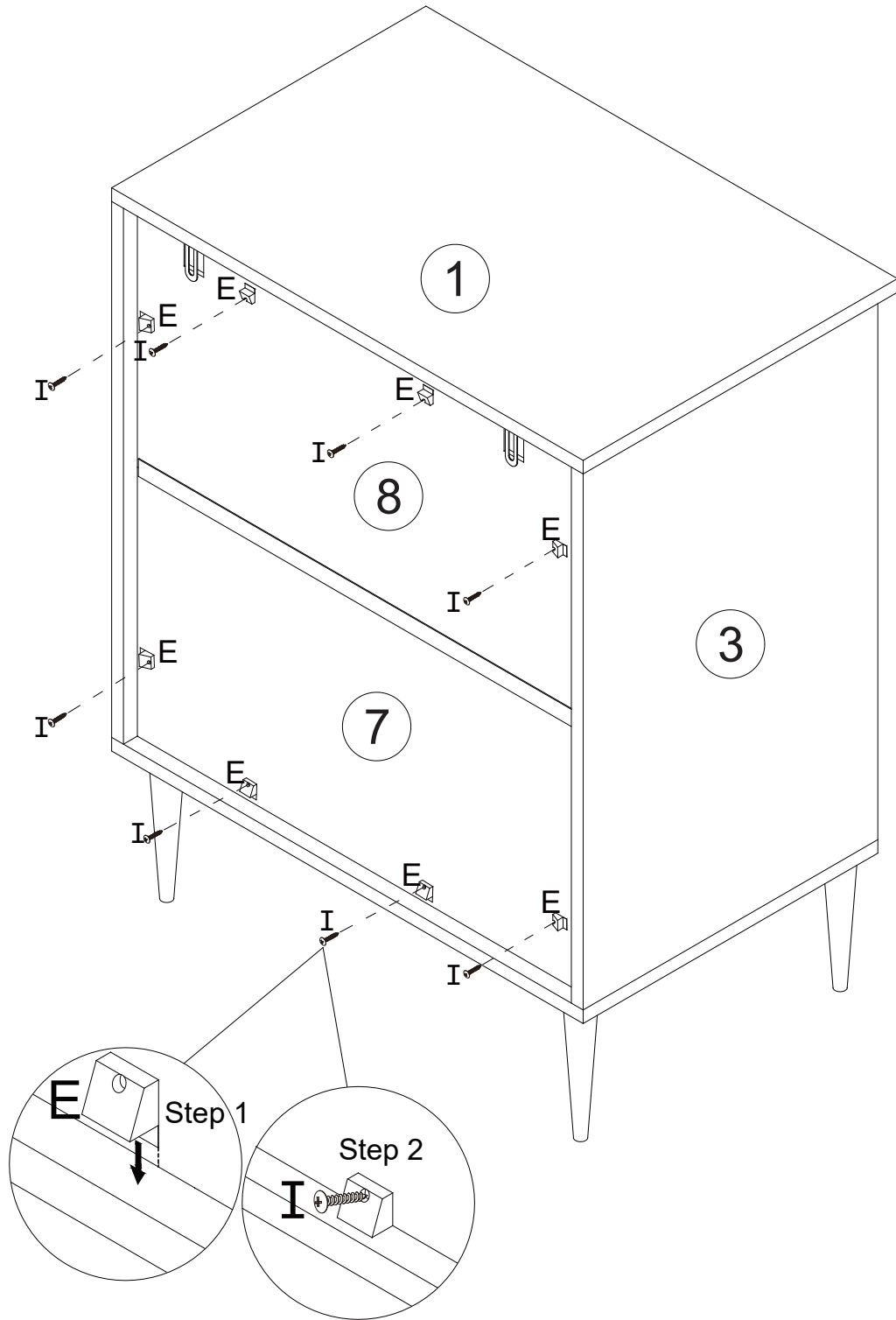


# Step 6

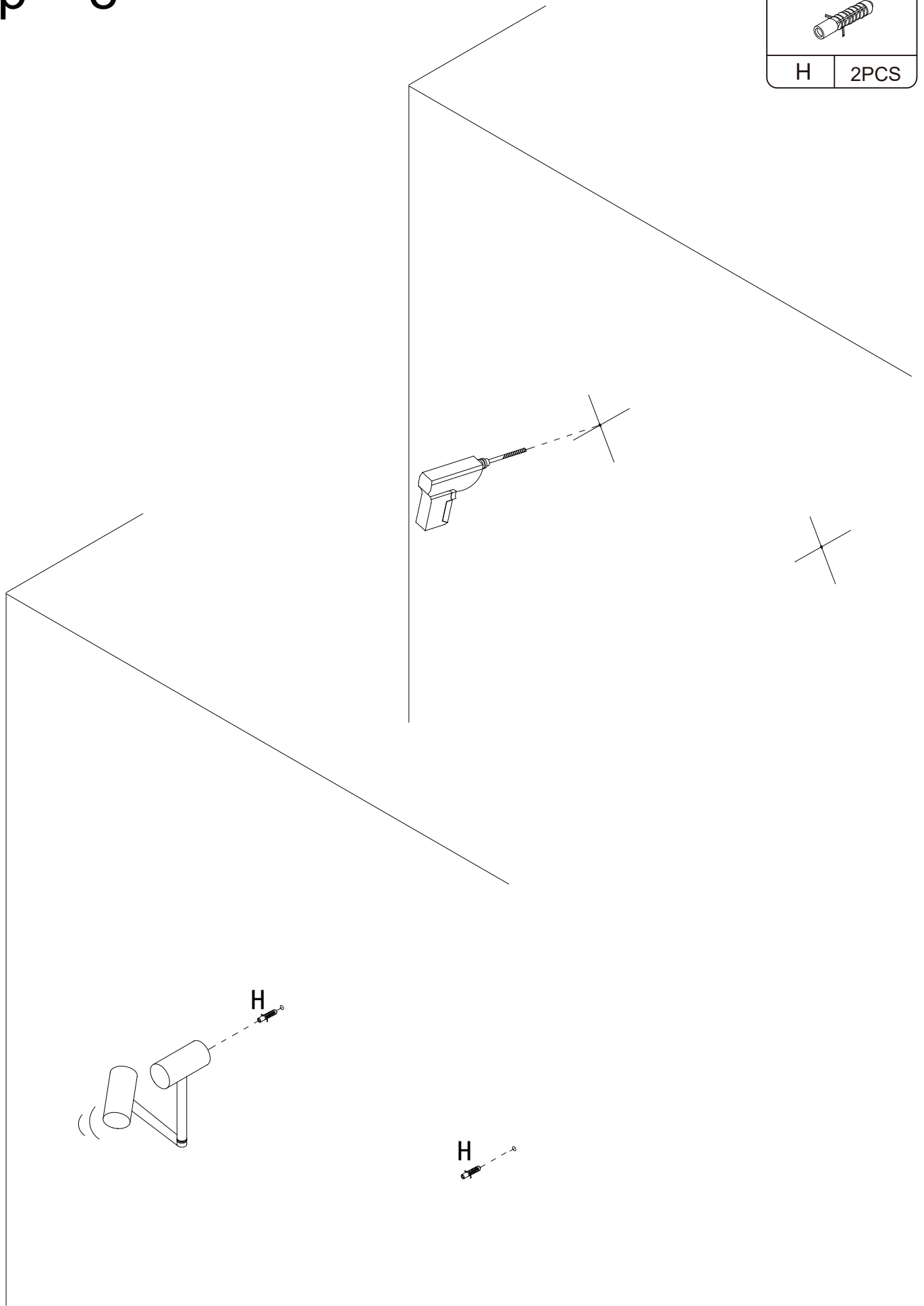
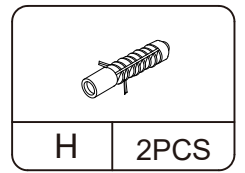


# Step 7

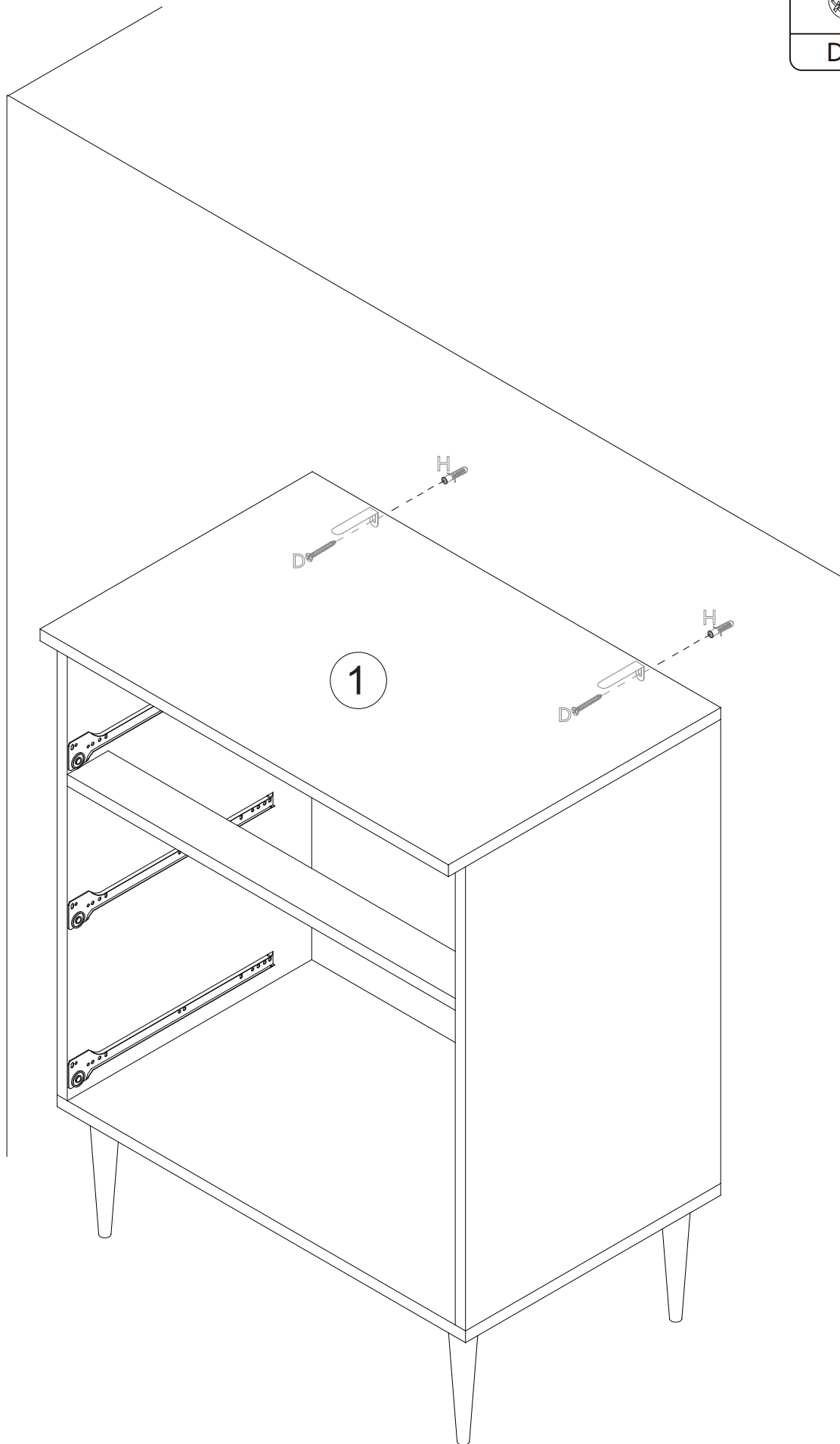
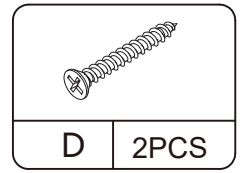
			
I	8PCS	E	8PCS



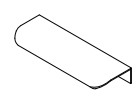
# Step 8




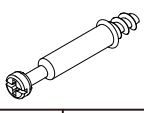
# Step 9

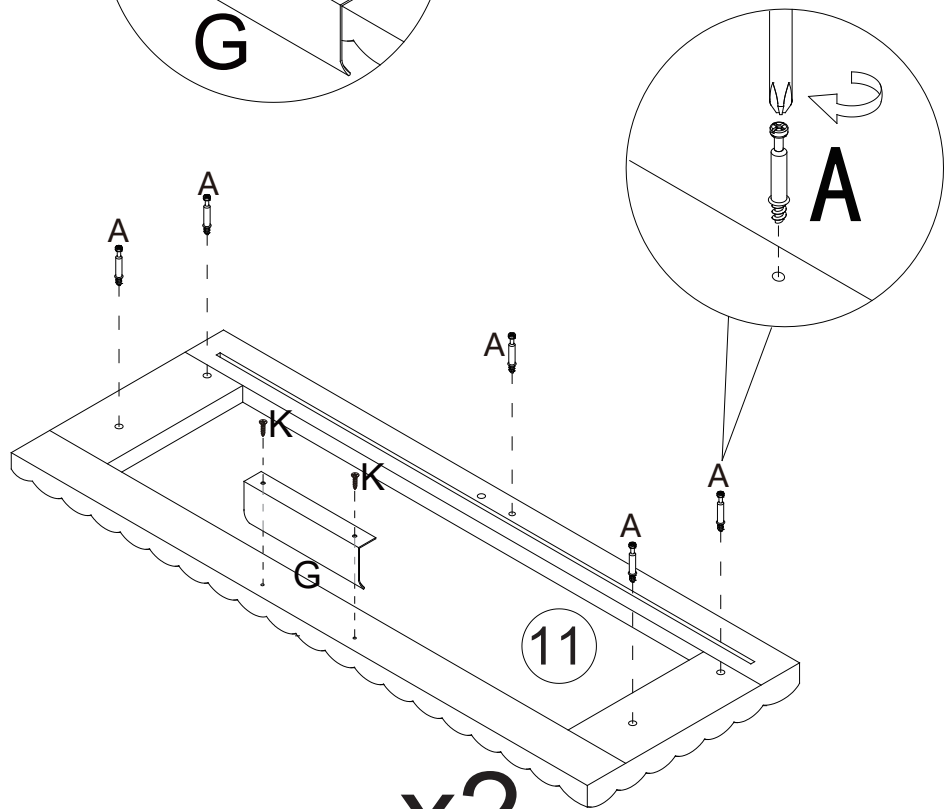
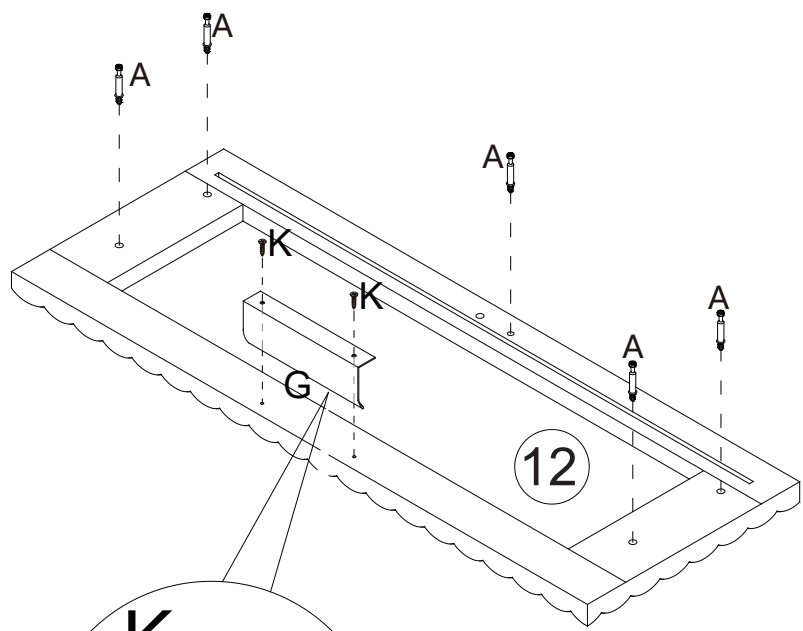


# Step 10

	
G	3PCS

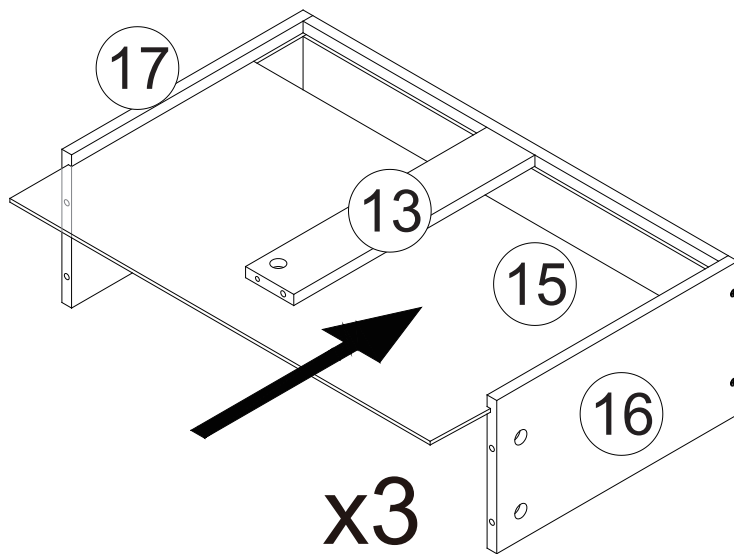
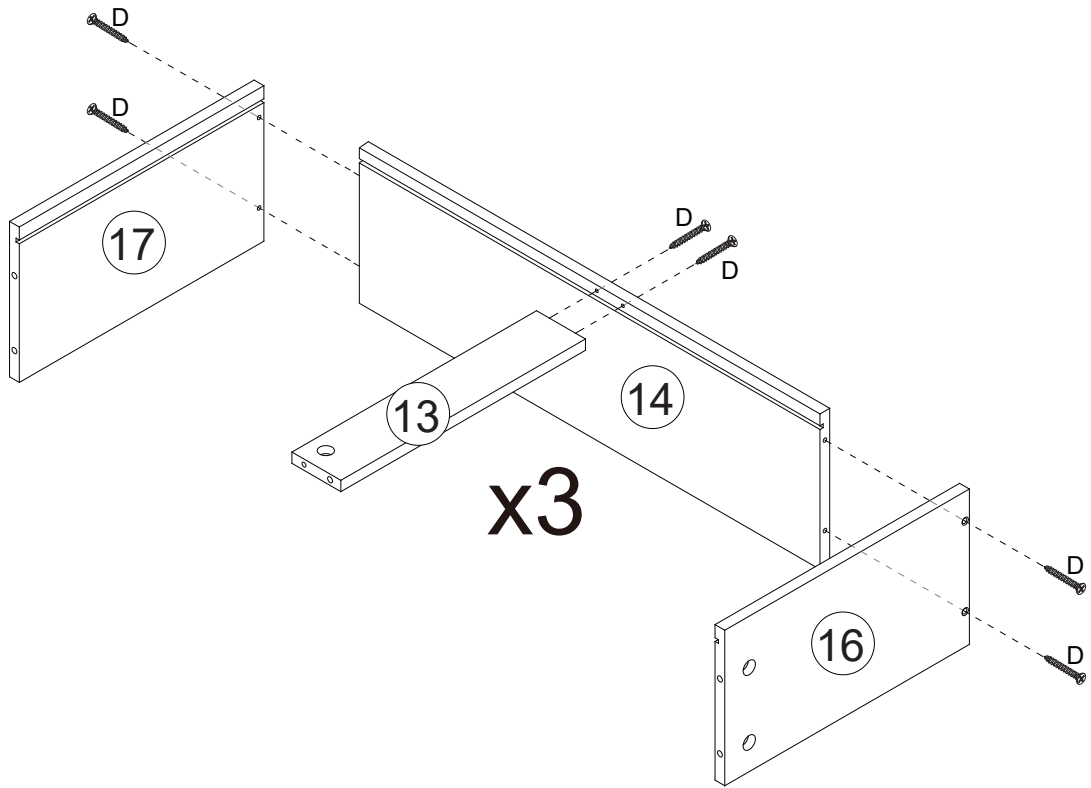
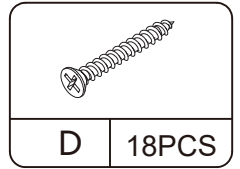
	
K	6PCS

	
A	15PCS



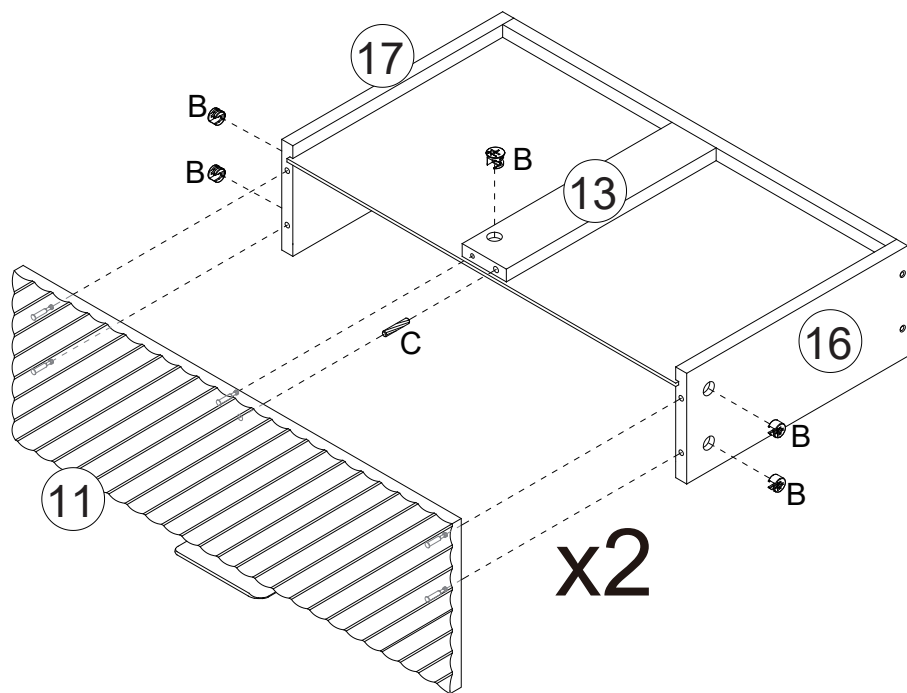
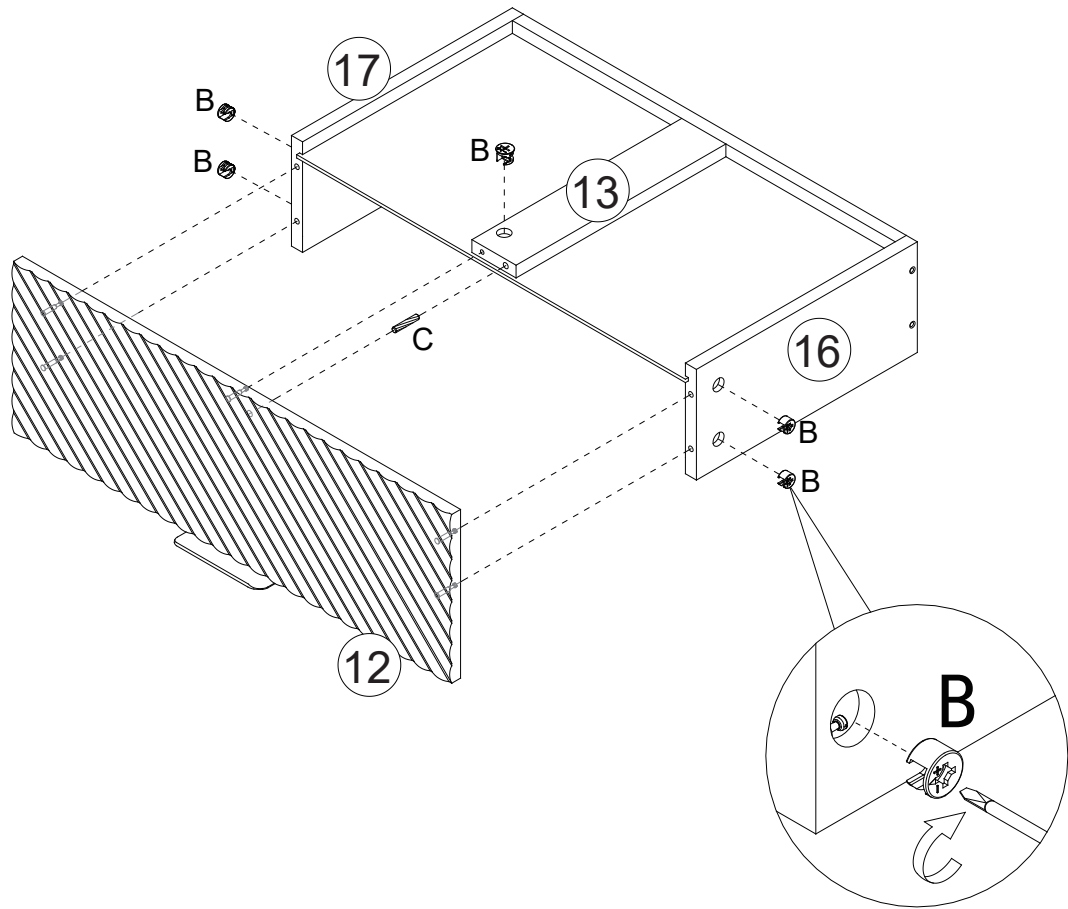
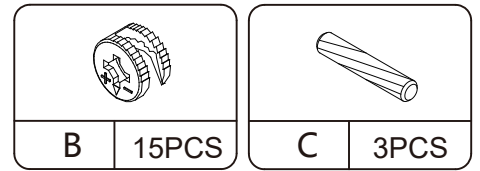
x2

# Step 11

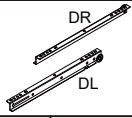



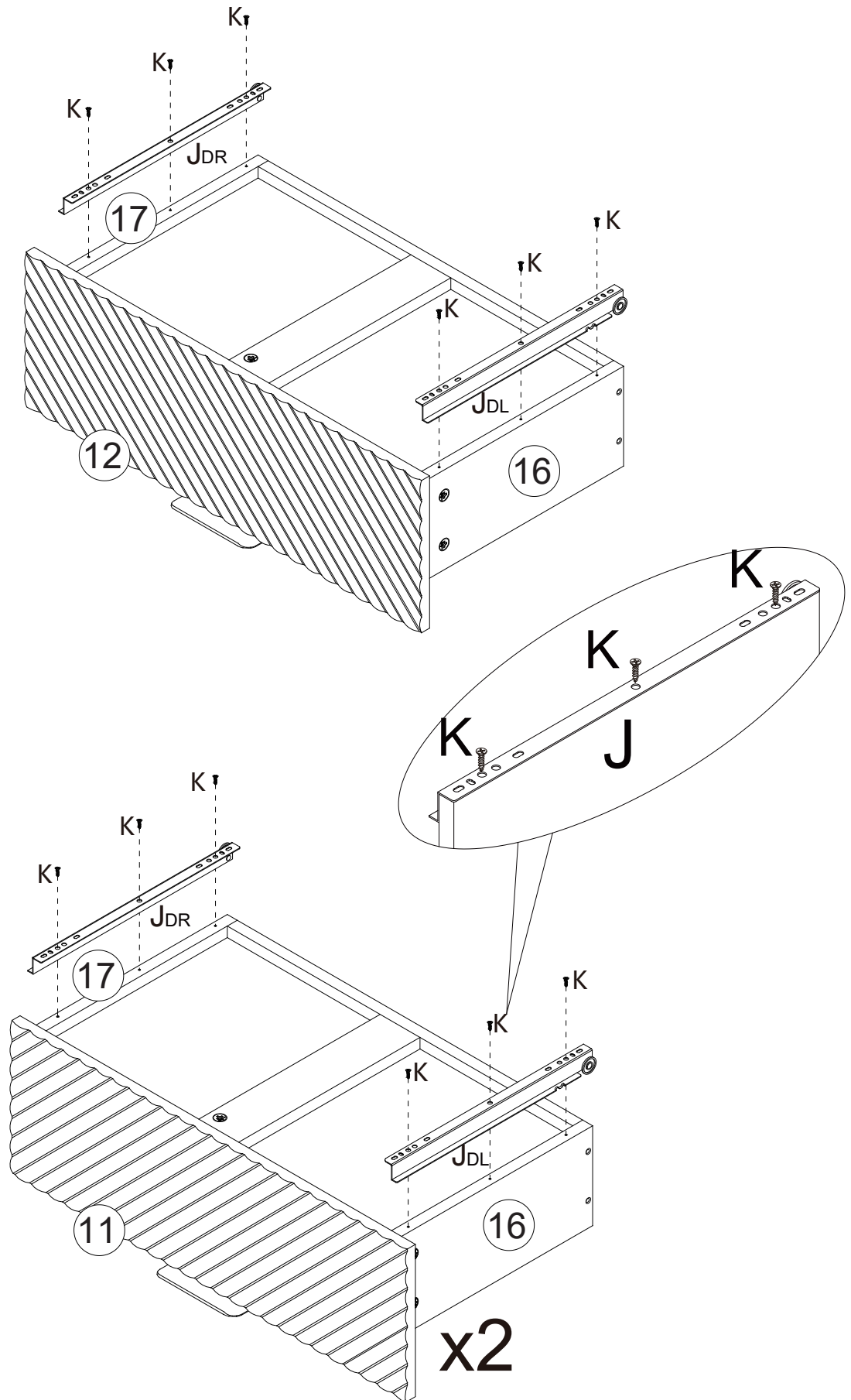


# Step 12

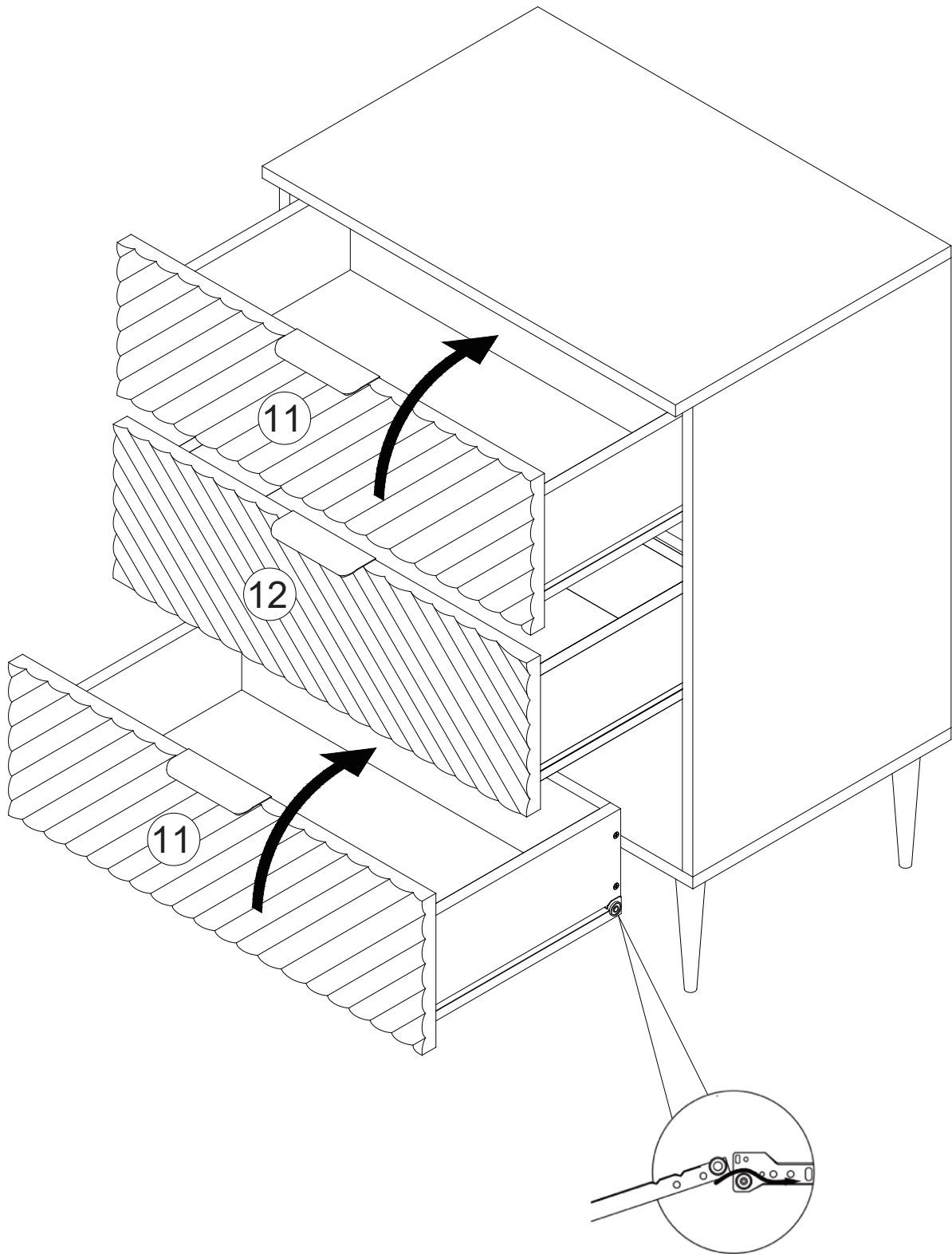


# Step 13

			
J	3PCS	K	18PCS



# Step 14



# Proper Use

- DO NOT** use for commercial purposes
- DO NOT** use as a step stool or stand on table
- DO NOT** put hot serving liquid directly on the table top
- DO NOT** leave spilled liquid on the table top
- DO NOT** use table if damaged
- DO NOT** exceed weight limit
- DO NOT** make temporary repairs
- DO NOT** use outdoor

Dear Customer :

Thank you for purchasing our product,we wish you satisfy our service,if you have any further questions or any quality issues, please show the belows number and don't hesitate to contact our Customer Service People:

**W688202310**