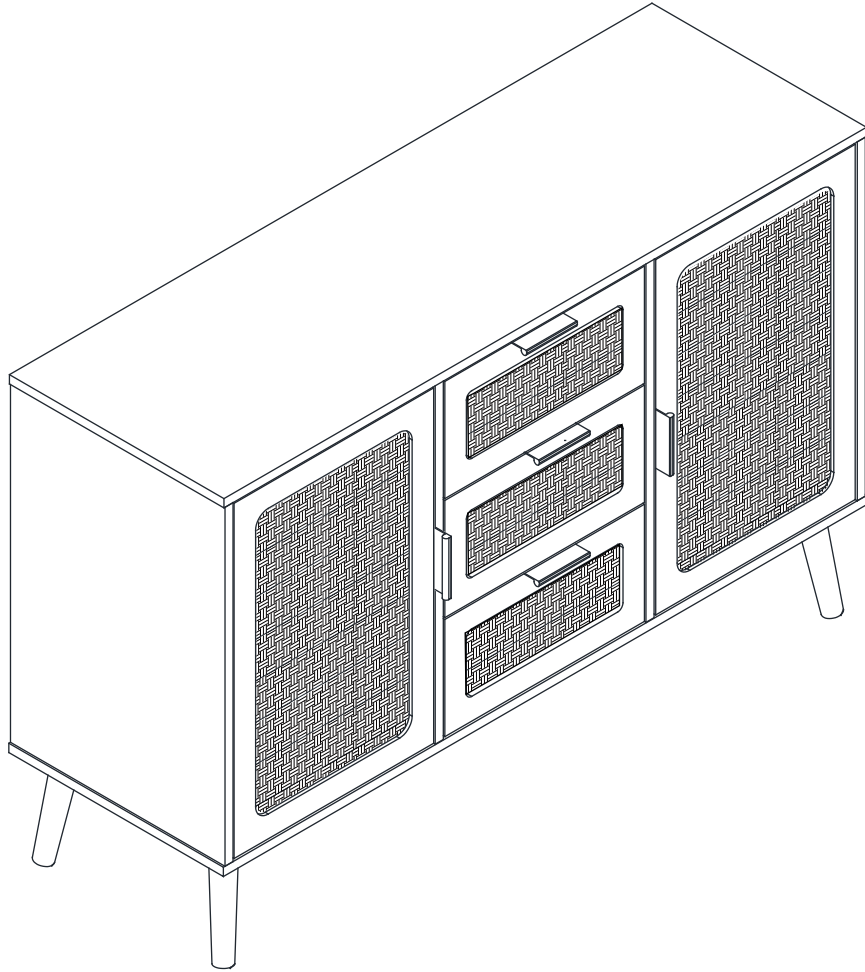


Installation Instruction



Product Name

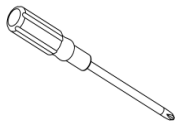
2 Door 3 Drawer Cabinet

Ver.1.0 20231121

Assembling

What you need

- Use the packaging carton as a working surface to prevent product damage during assembly
- Phillips head screwdriver



Weight Limitation

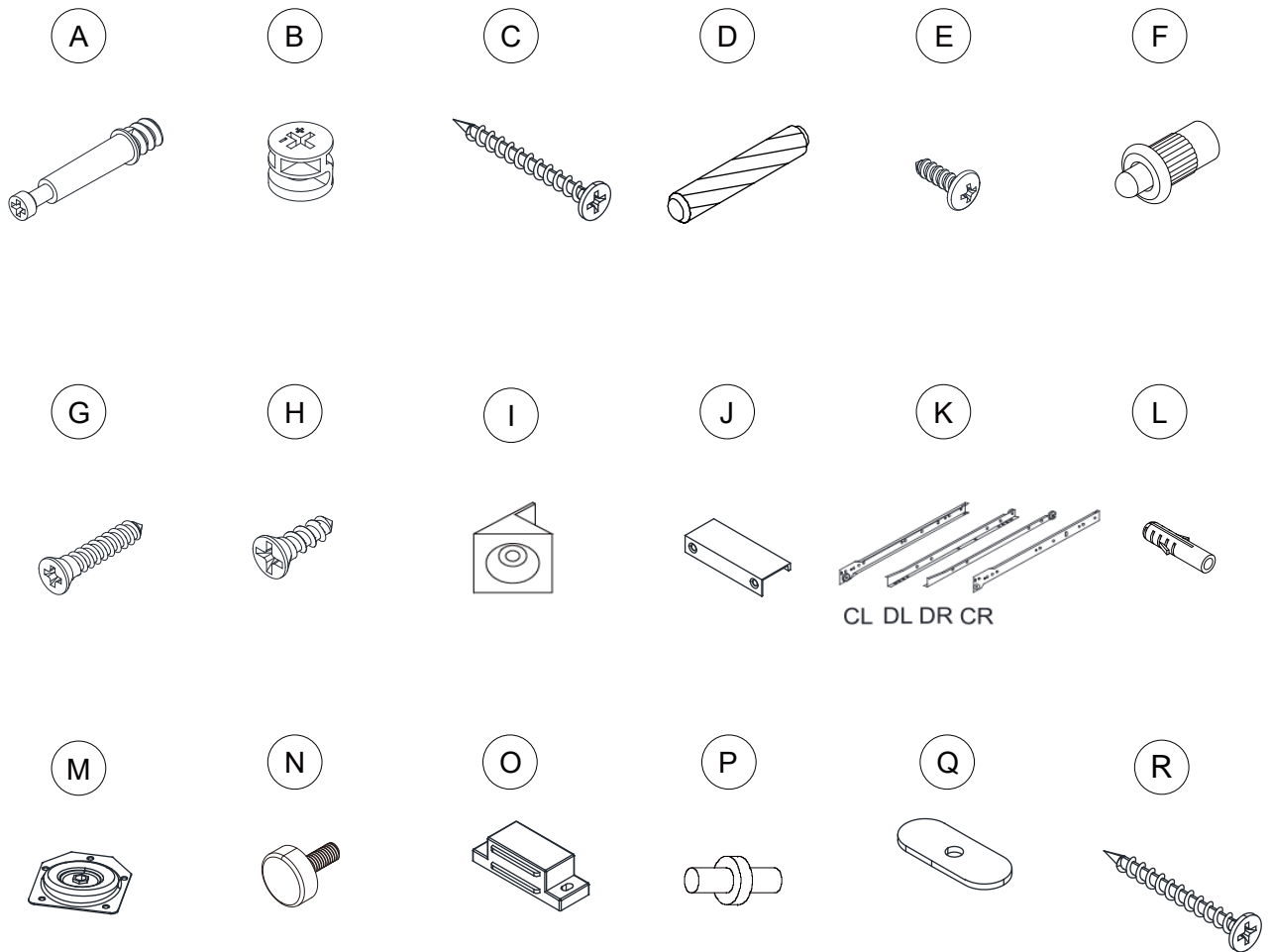


2 PERSONS

What's included

Code	Description	Qty
A	Cam Bolt M6X35MM	32
B	Cam Lock 15X10MM	32
C	Screw M4X35MM	22
D	Wooden Dowel M6X30MM	16
E	Screw M4X14MM	20
F	Plastic Pin	4
G	Screw M3X14MM	20
H	Screw M3X12MM	50
I	Plastic Corner Support	12
J	Handle	5
K	Slide Sets	3
L	Anchor M6X30MM	2
M	Metal Pin	4
N	Feet Nail	1
O	Magnetic Door Catcher	4
P	Metal Support	8
Q	Door Metal Plate	4
R	Screw M4X55MM	2

The Hardware



IMPORTANT:

1. Do not tighten bolts / screws completely until all bolts / screws are lined up and inserted into holes.
2. Do not over tighten screws and bolts to avoid stripping.
3. Please use hand tools to assemble this product. Do not use power tools.
4. Must need 2 people to assemble this product.

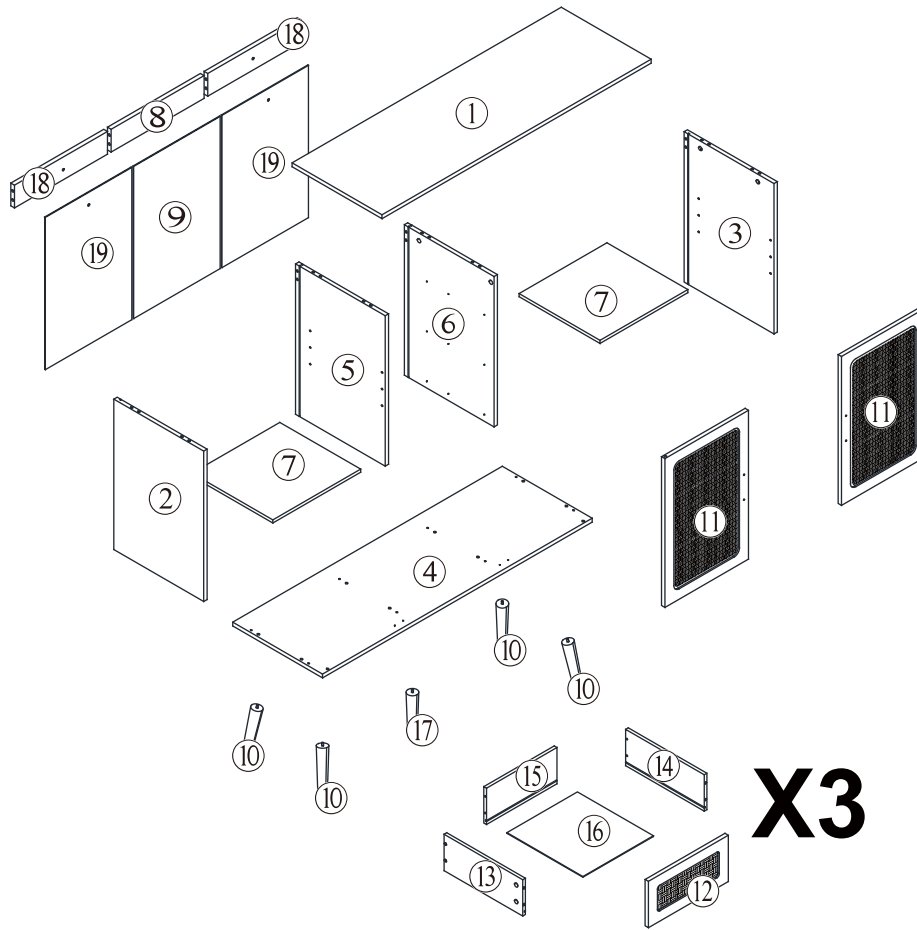


2 PERSONS

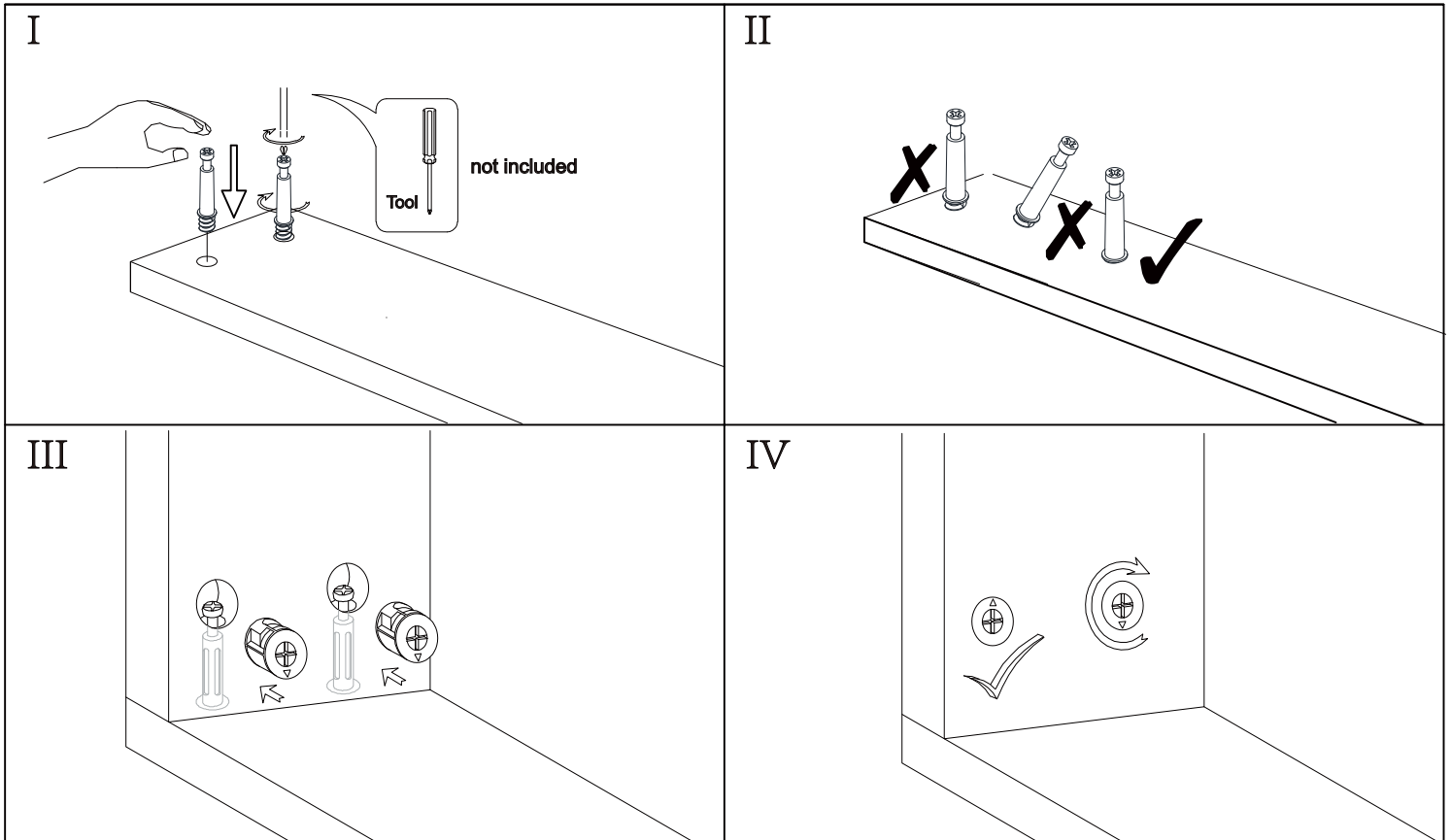
Included Accessories

Code	Description	Qty
1	Cabinet Top	1
2	Left Side Panel	1
3	Right Side Panel	1
4	Bottom Panel	1
5	Left Division Panel	1
6	Right Division Panel	1
7	Shelf	2
8	Back Stretcher	1
9	Middle Back Panel	1
10	Feet	4
11	Door	2
12	Drawer Front Panel	3
13	Drawer Left Side Panel	3
14	Drawer Right Side Panel	3
15	Drawer Back Panel	3
16	Drawer Bottom Panel	3
17	Middle Foot	1
18	Left & Right Back Stretcher	2
19	Left & Right Back Panel	2

The Accessoriess

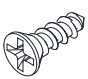


NOTED:




Step 1

H



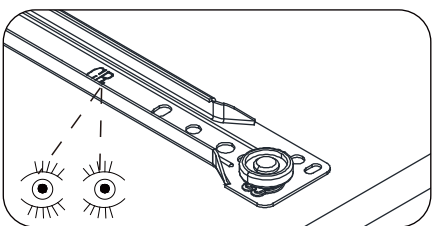
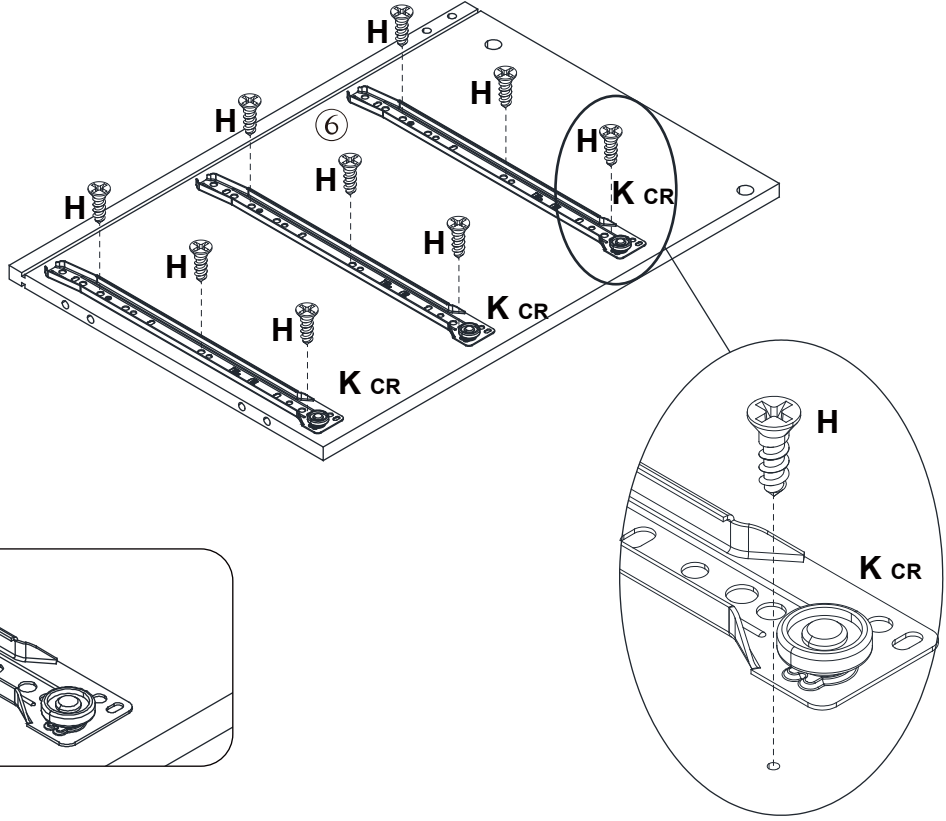
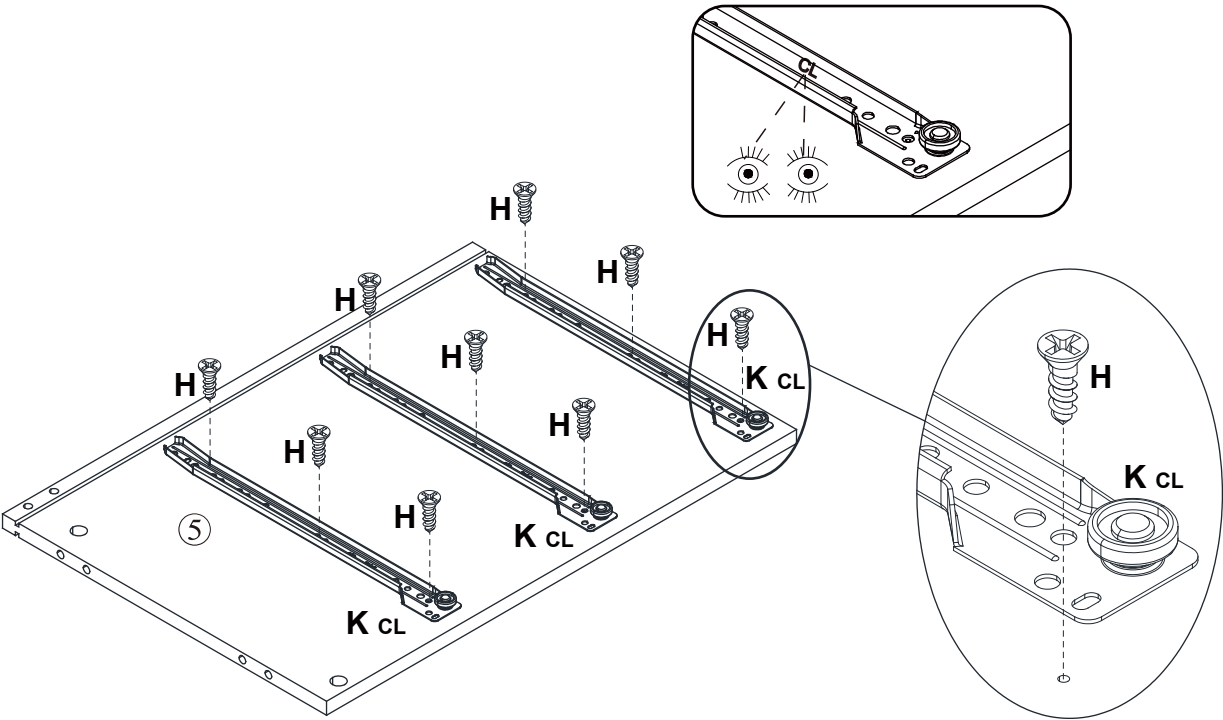
X18

K

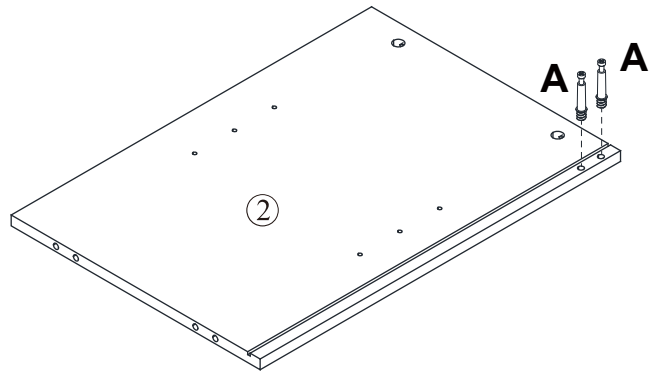
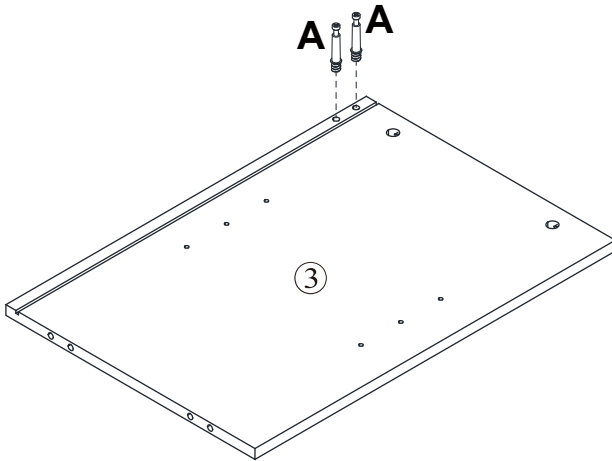
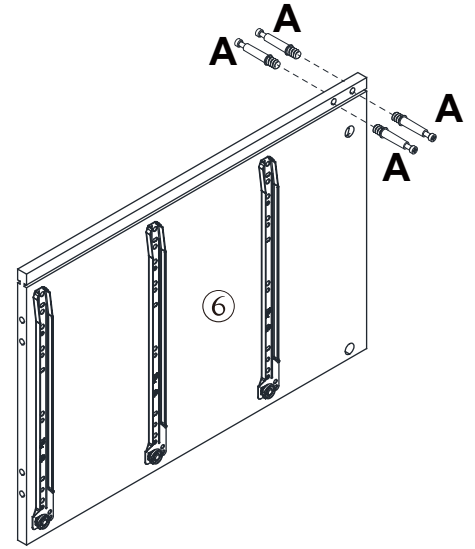
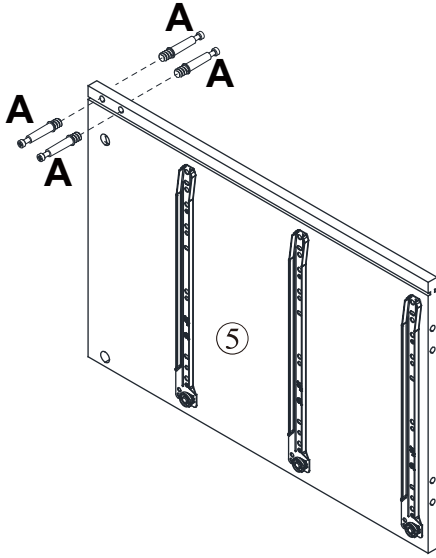
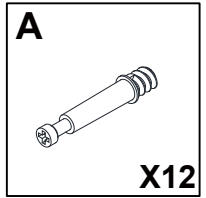


CL DL DR CR

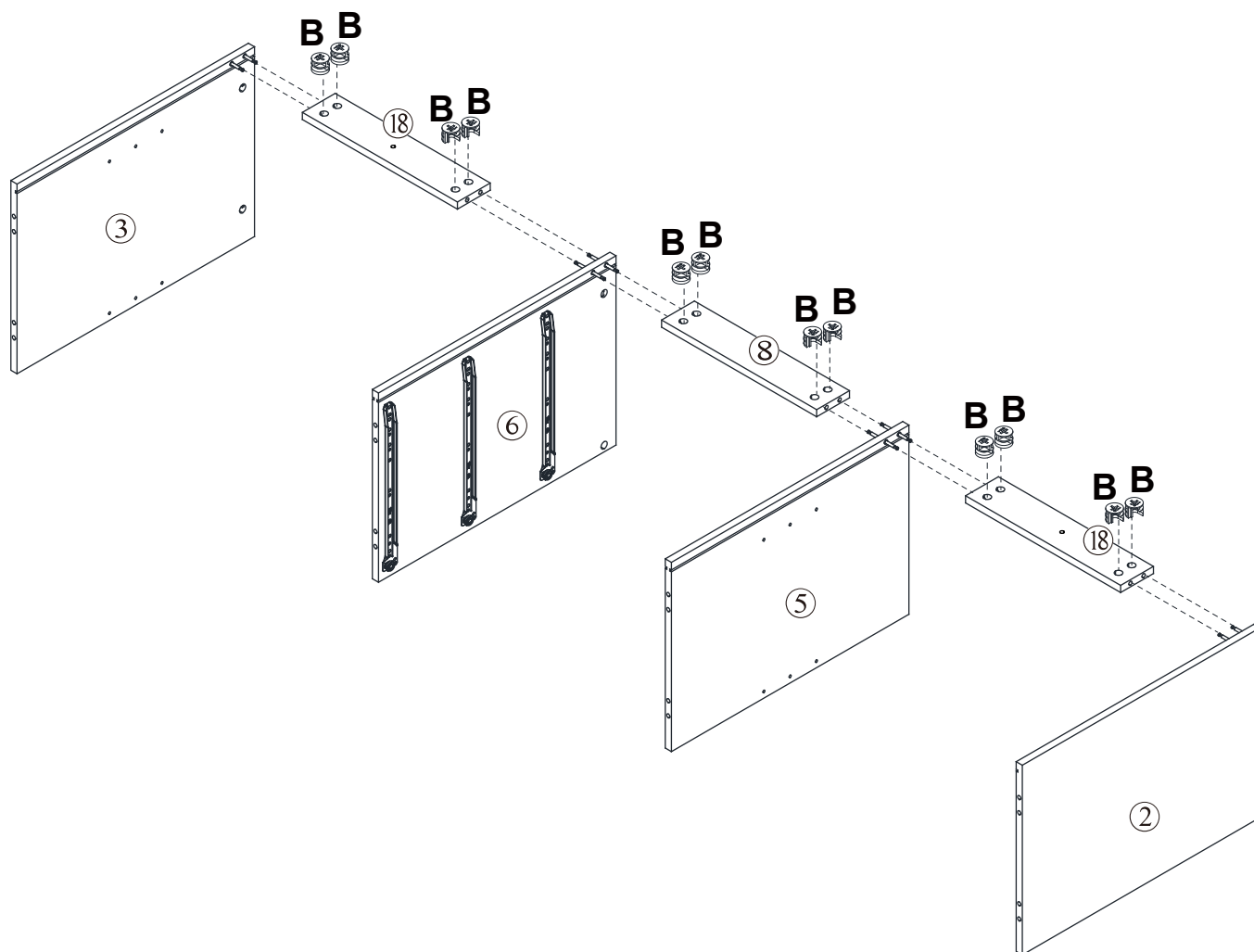
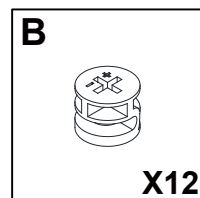
X3



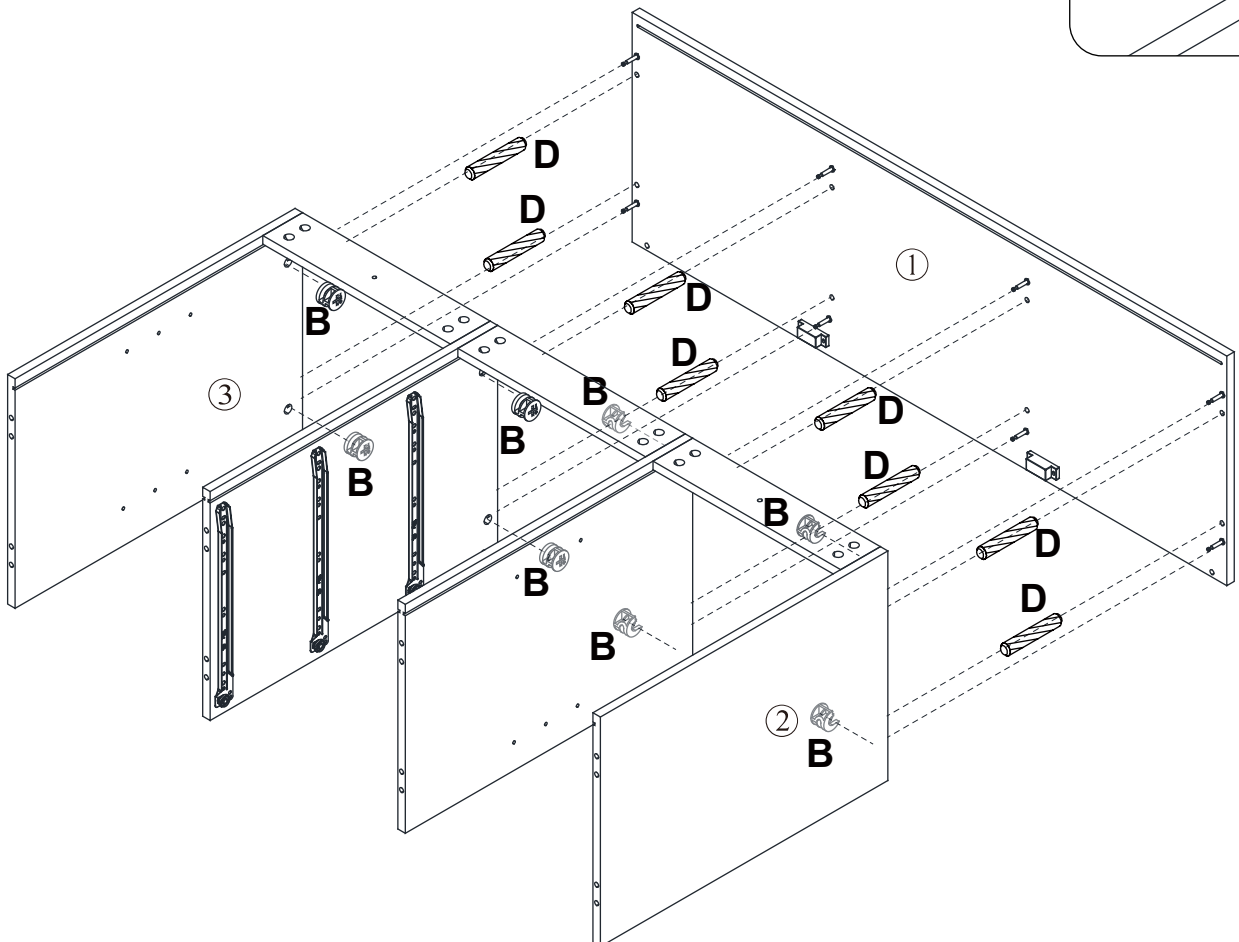
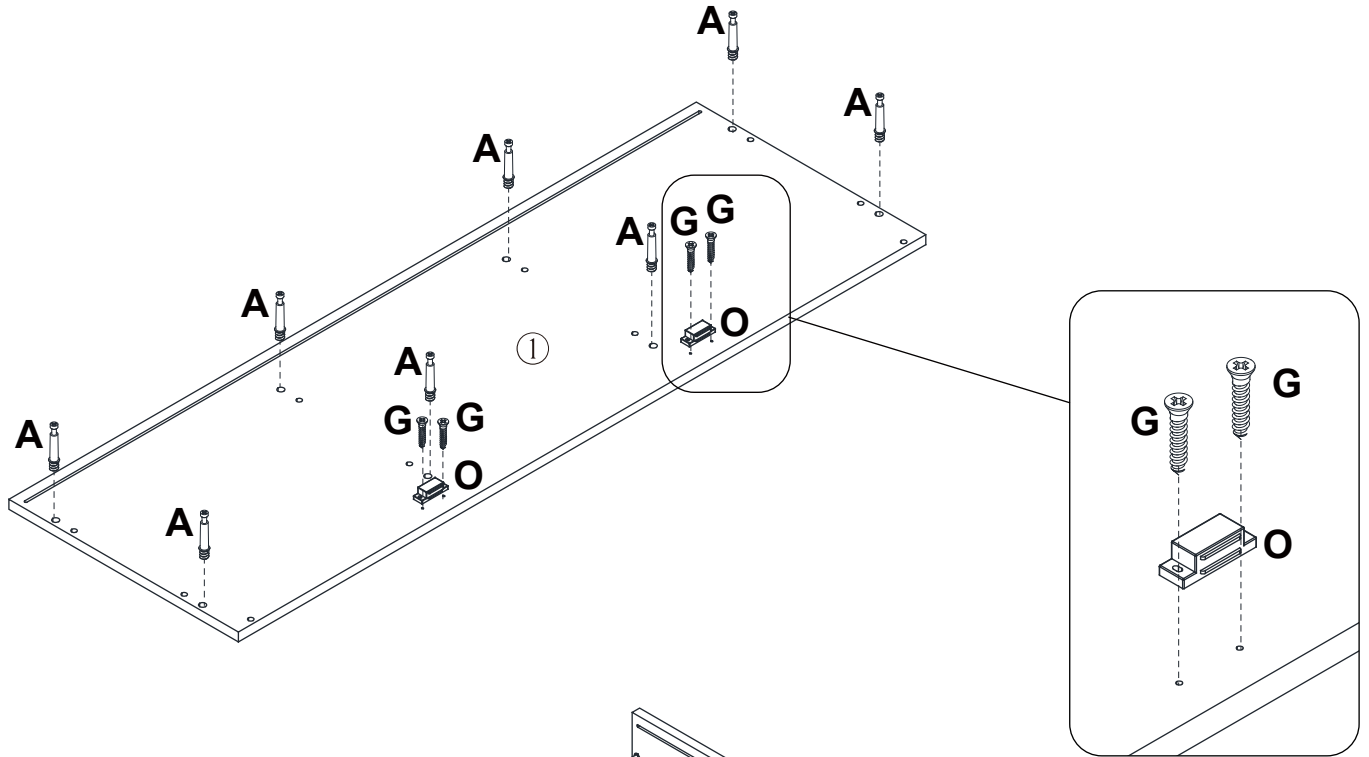
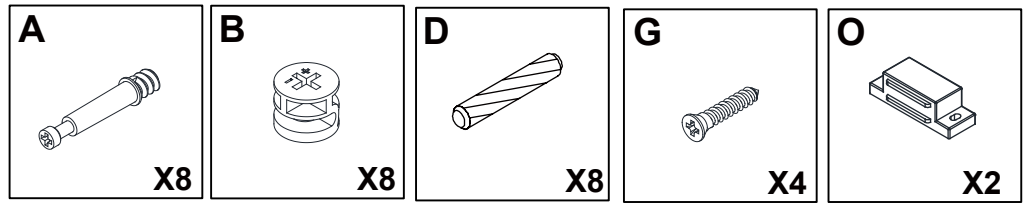
Step 2




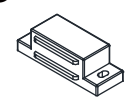
Step 3

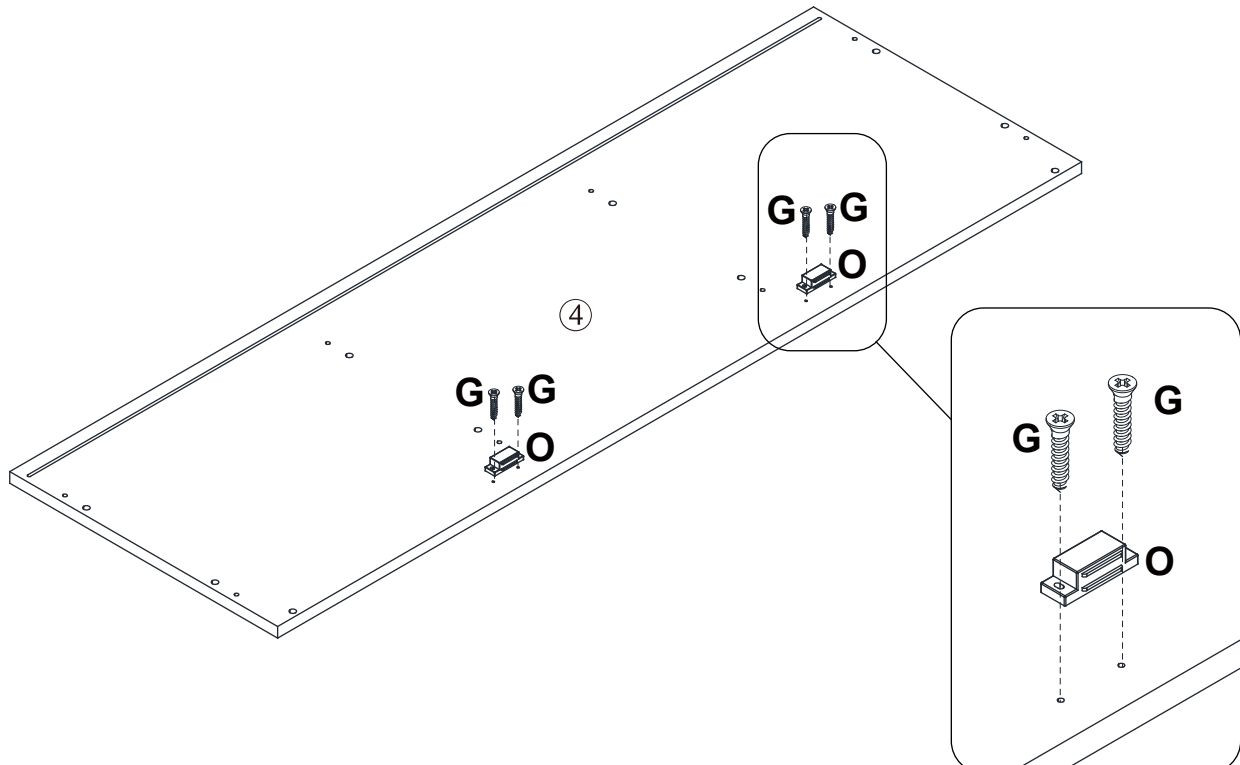
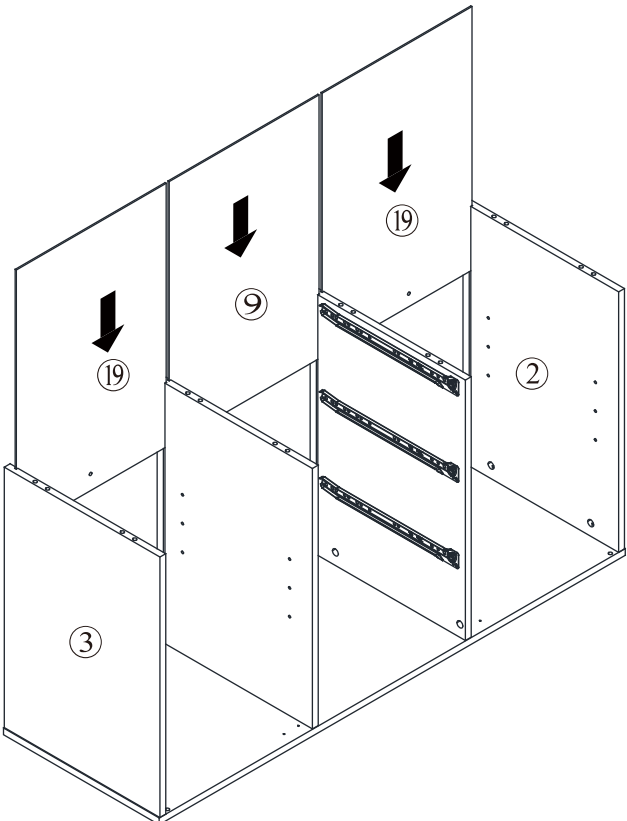


Step 4

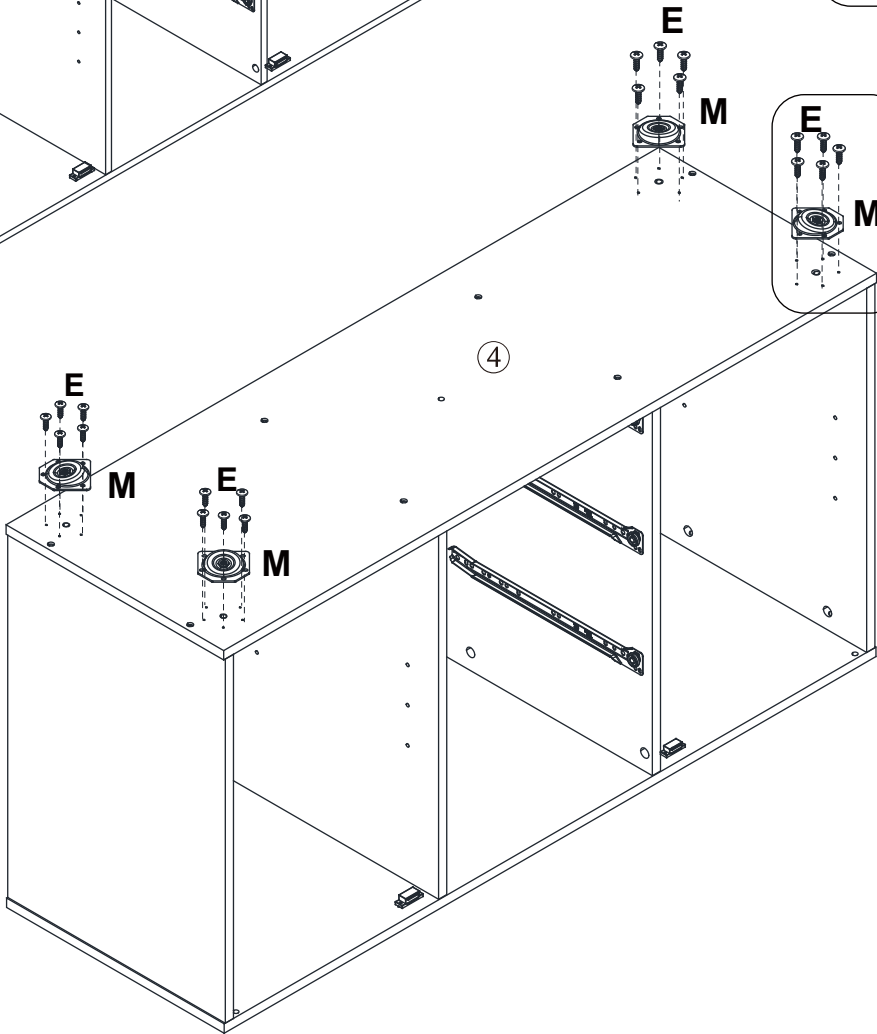
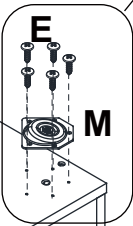
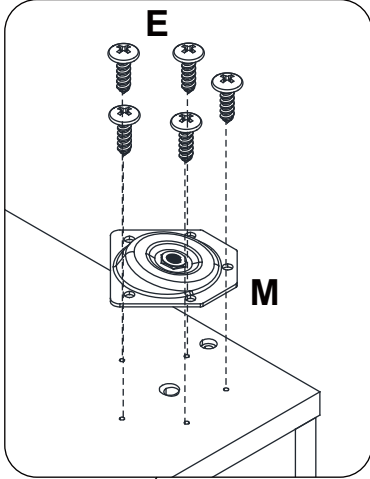
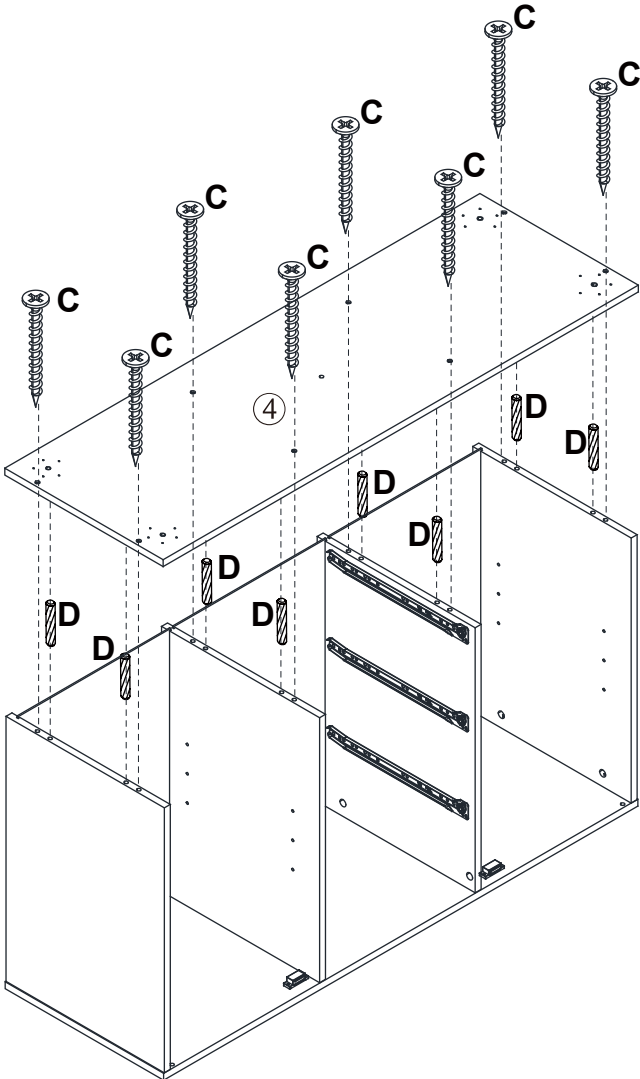
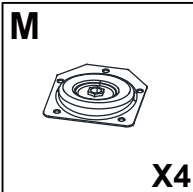
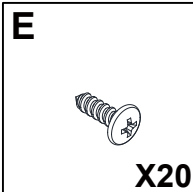
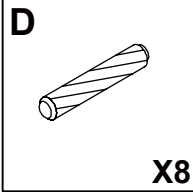
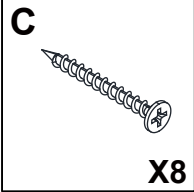


Step 5

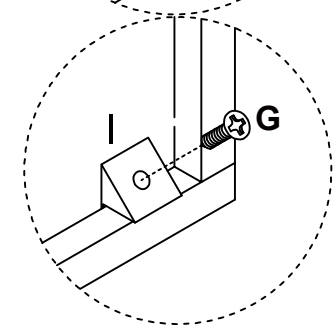
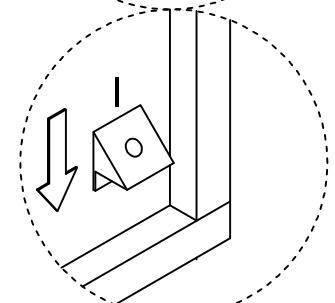
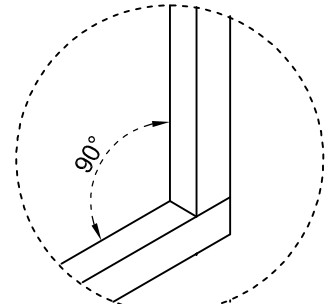
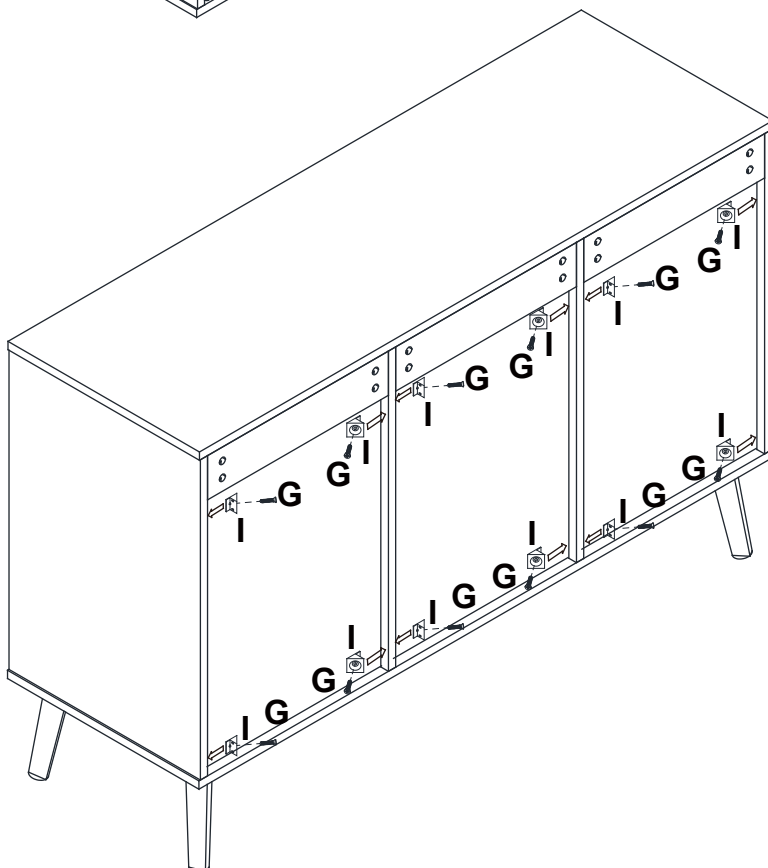
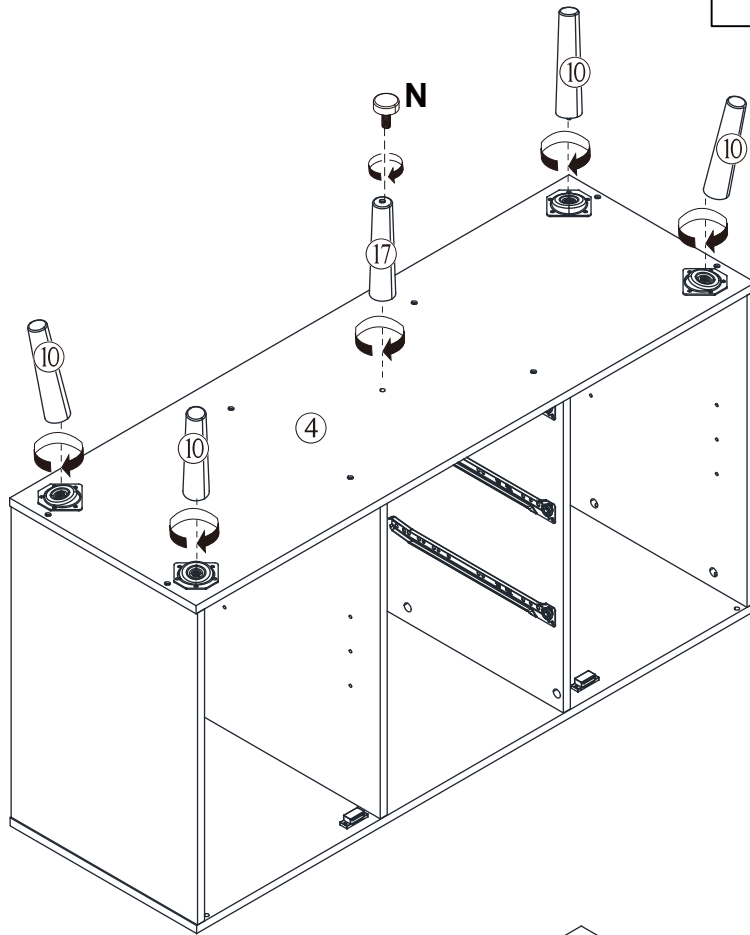
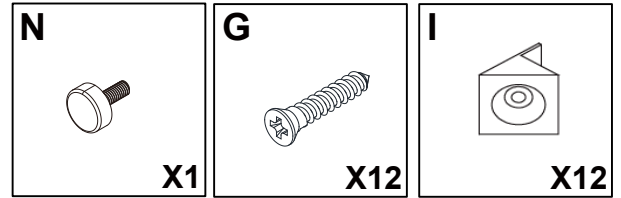
G  X4	O  X2
--	--



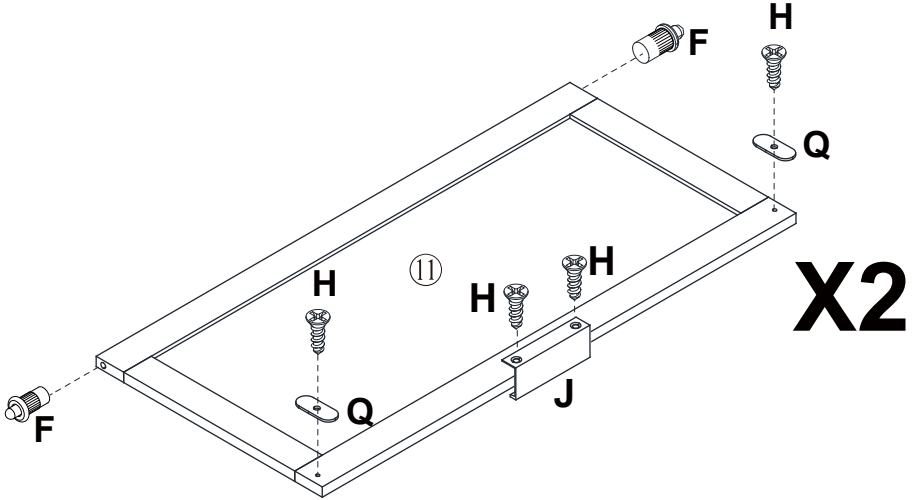
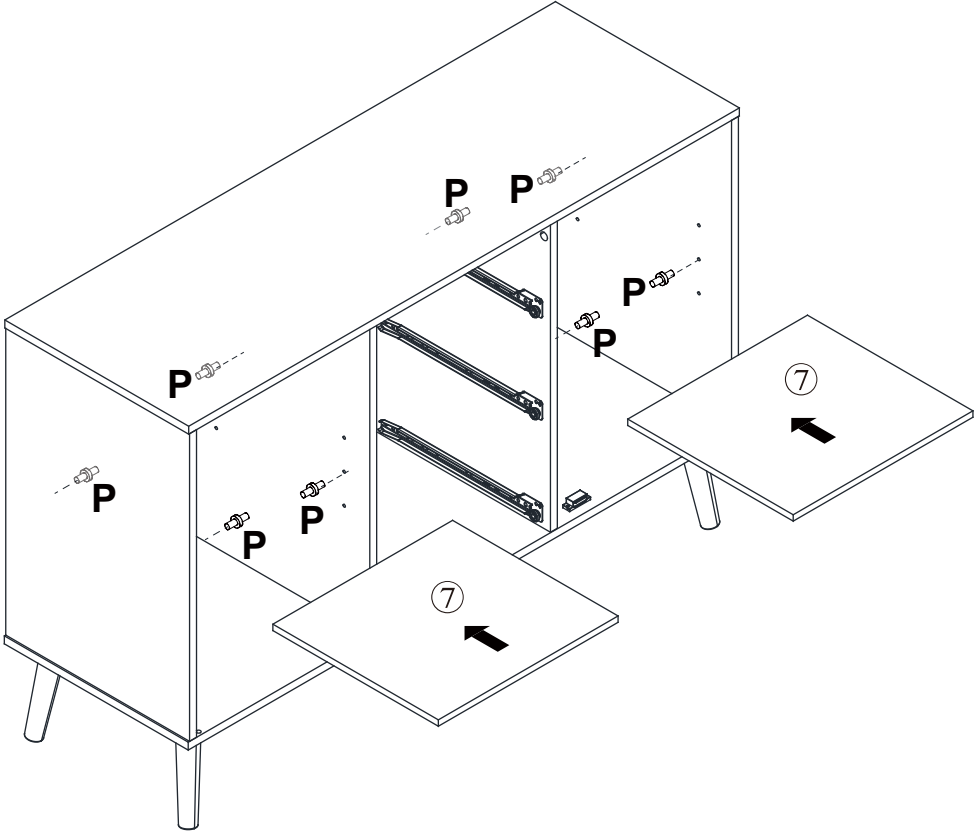
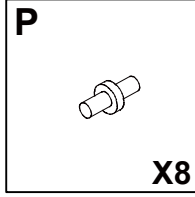
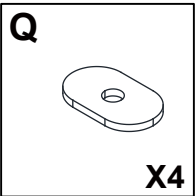
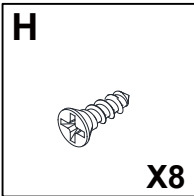
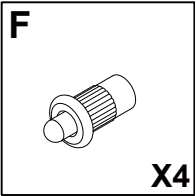
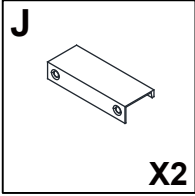
Step 6



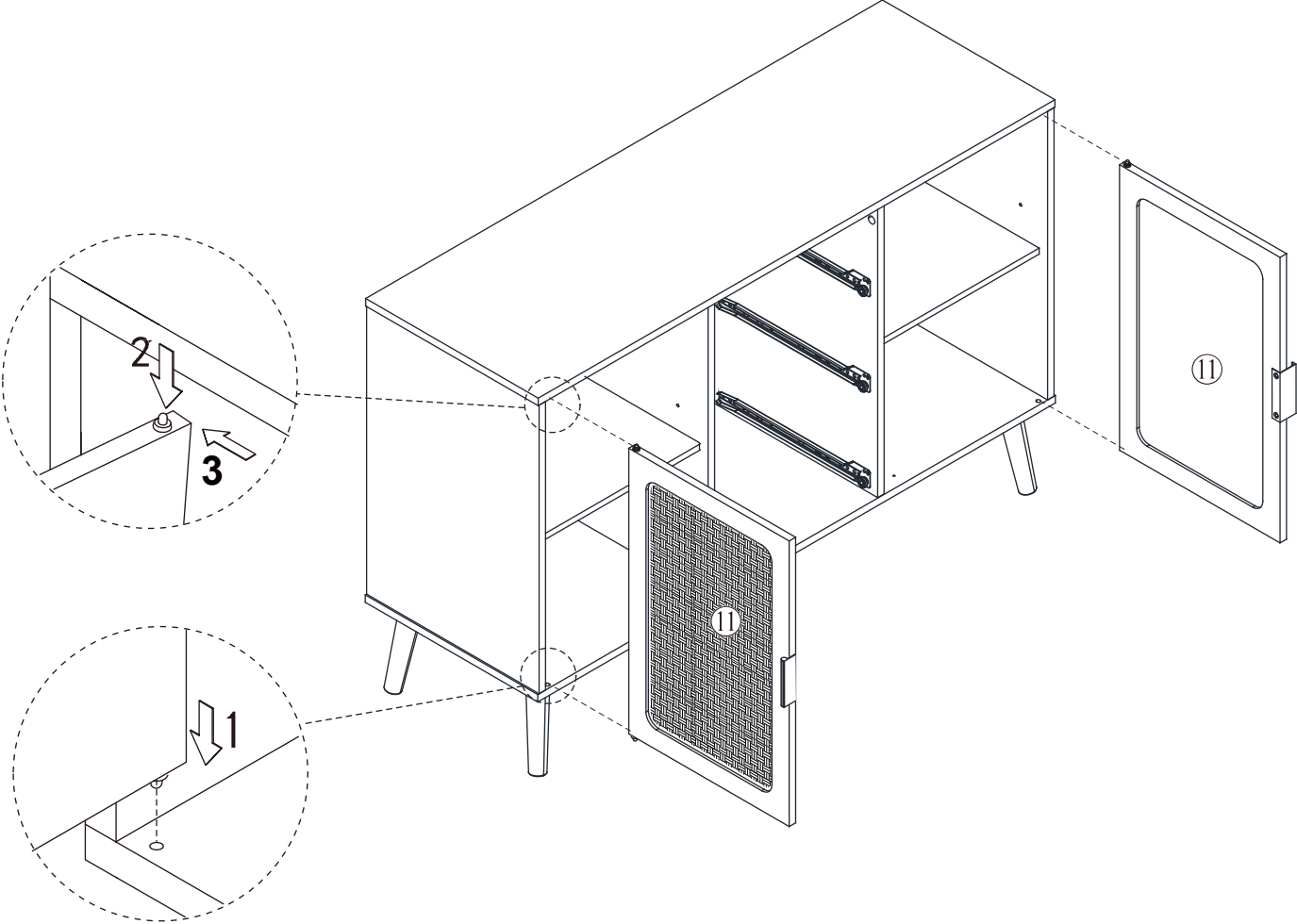
Step 7



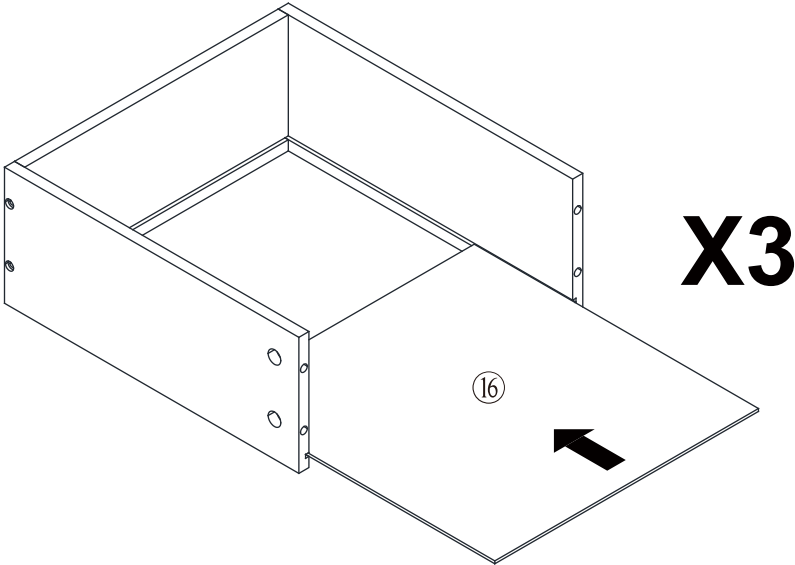
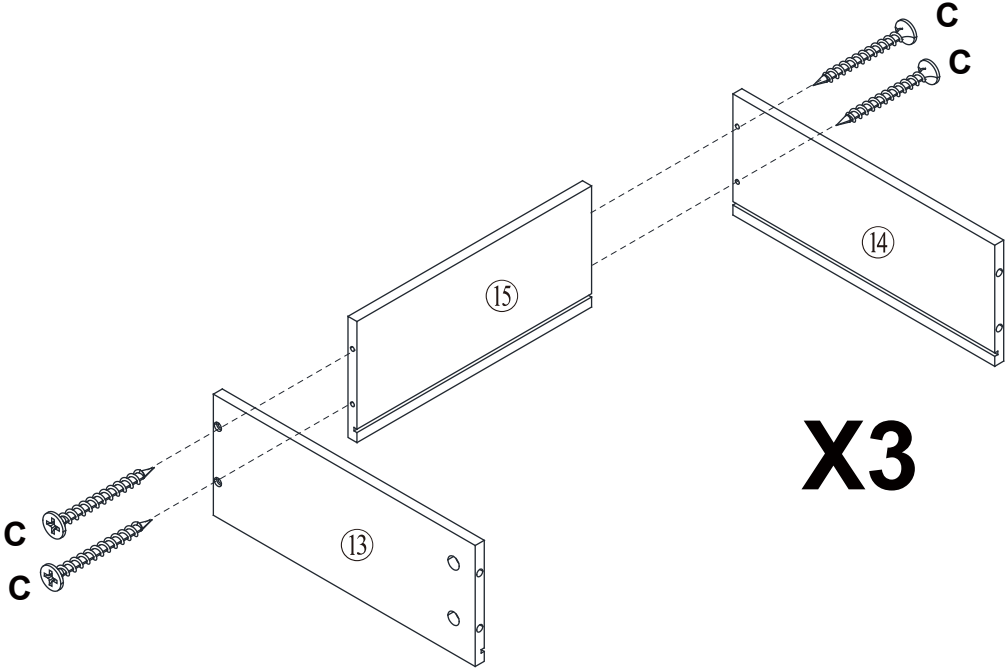
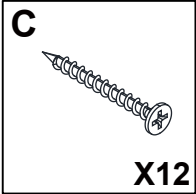
Step 8



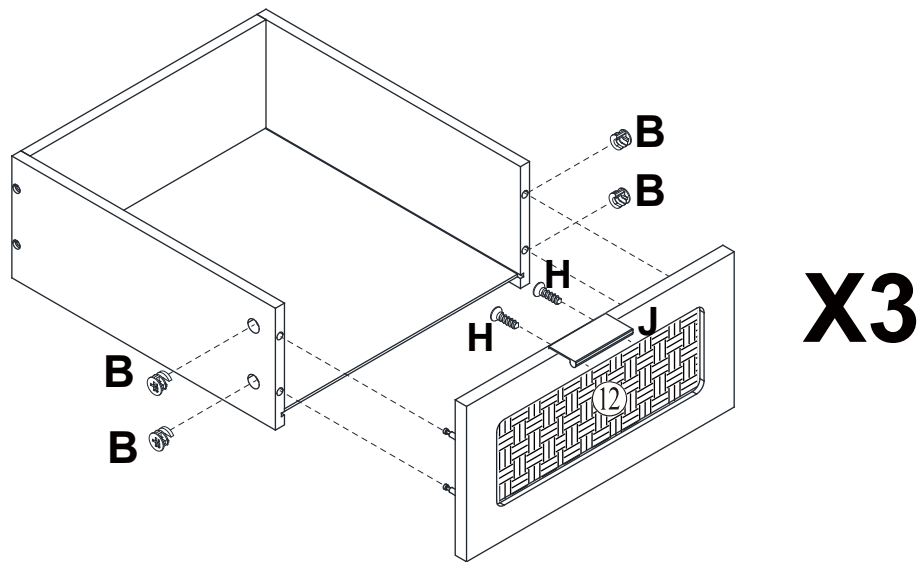
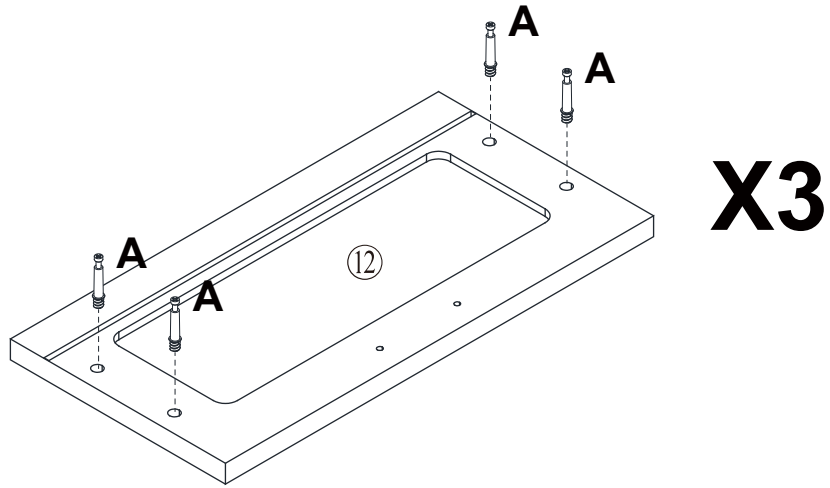
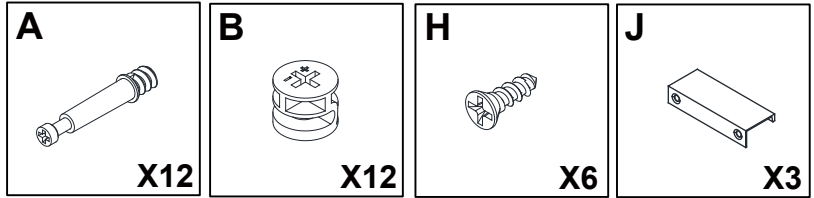
Step 9



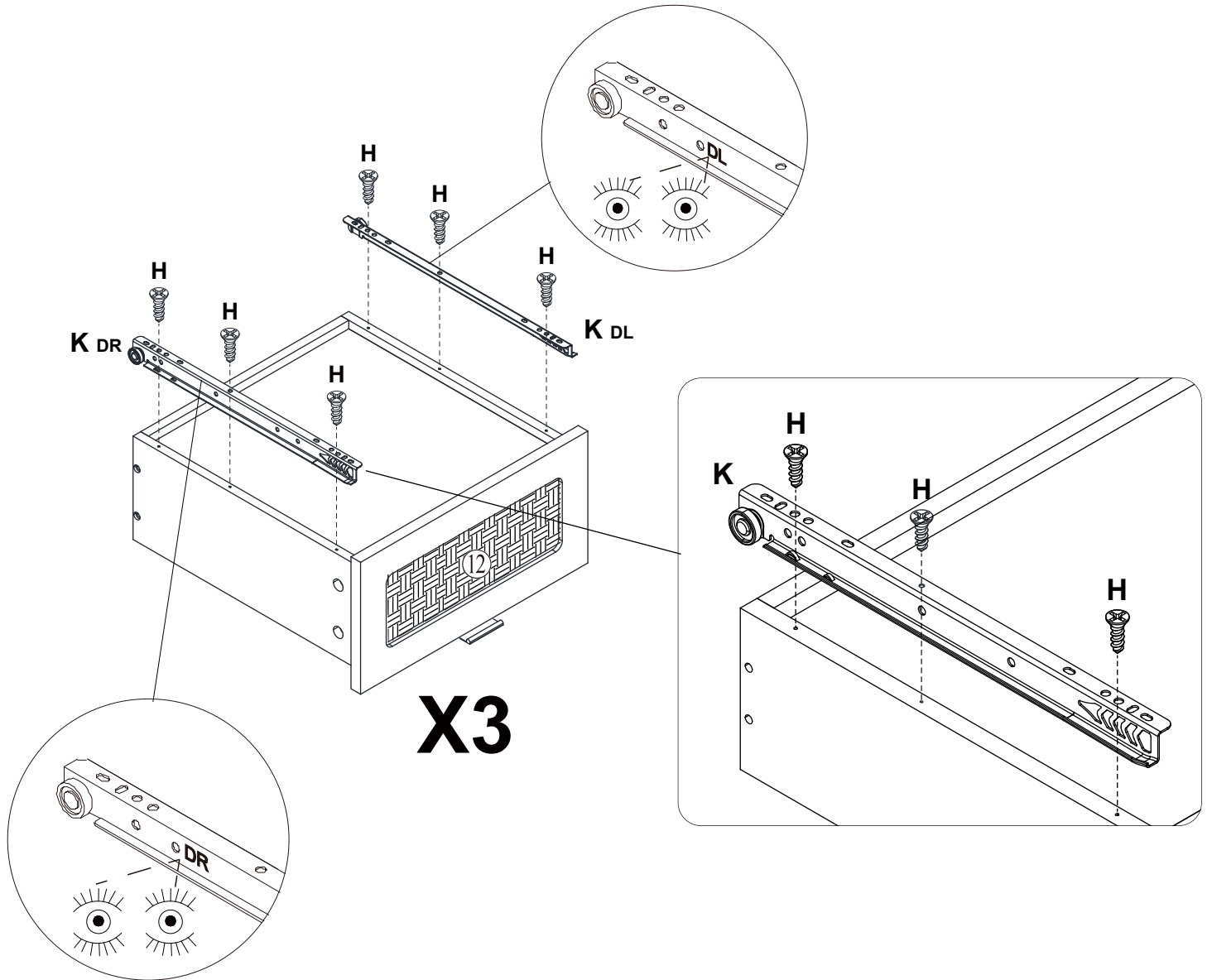
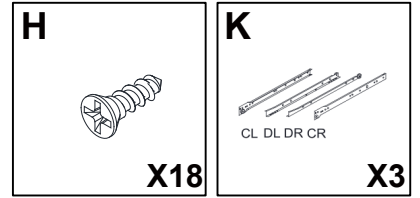
Step 10



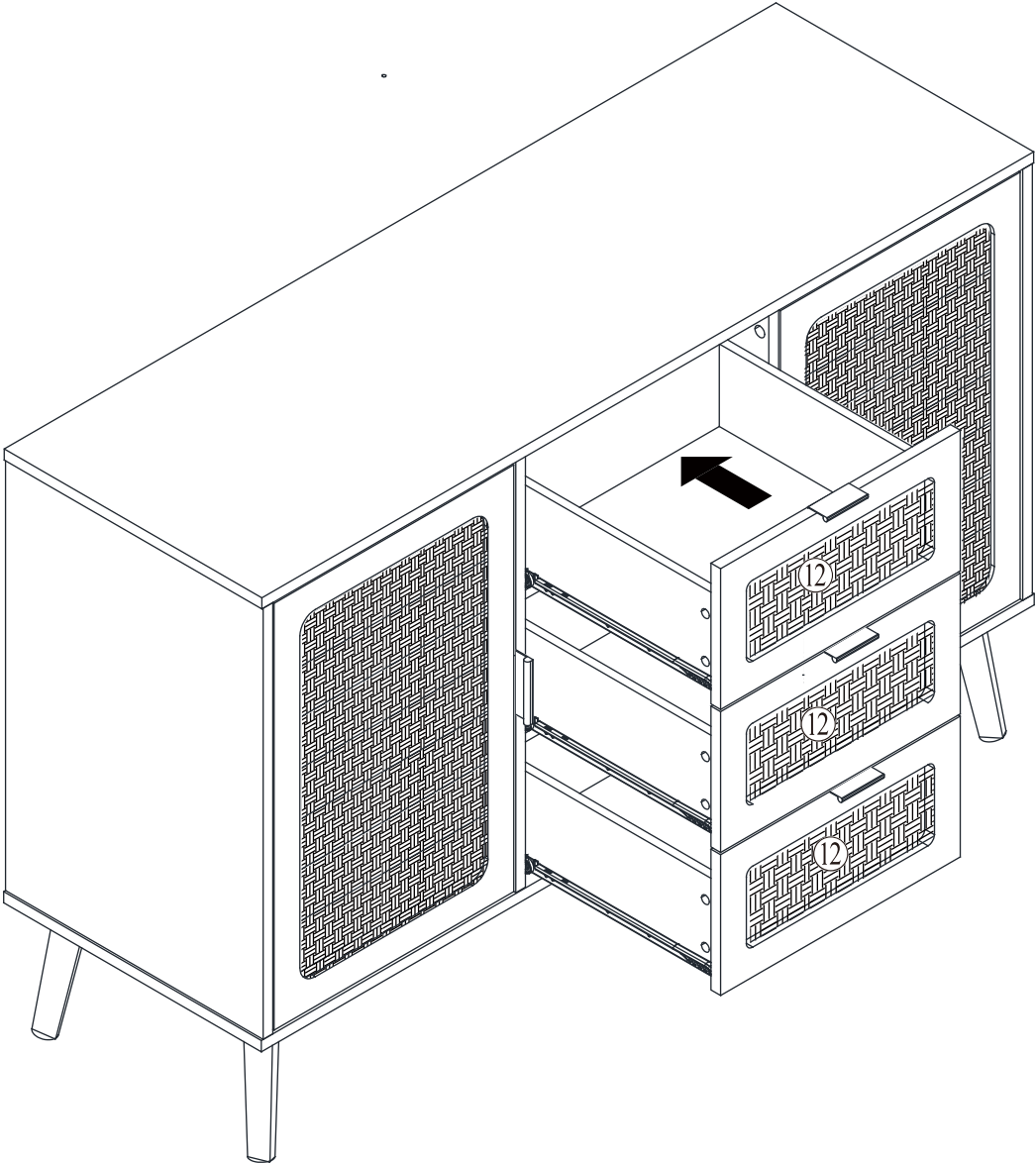
Step 11



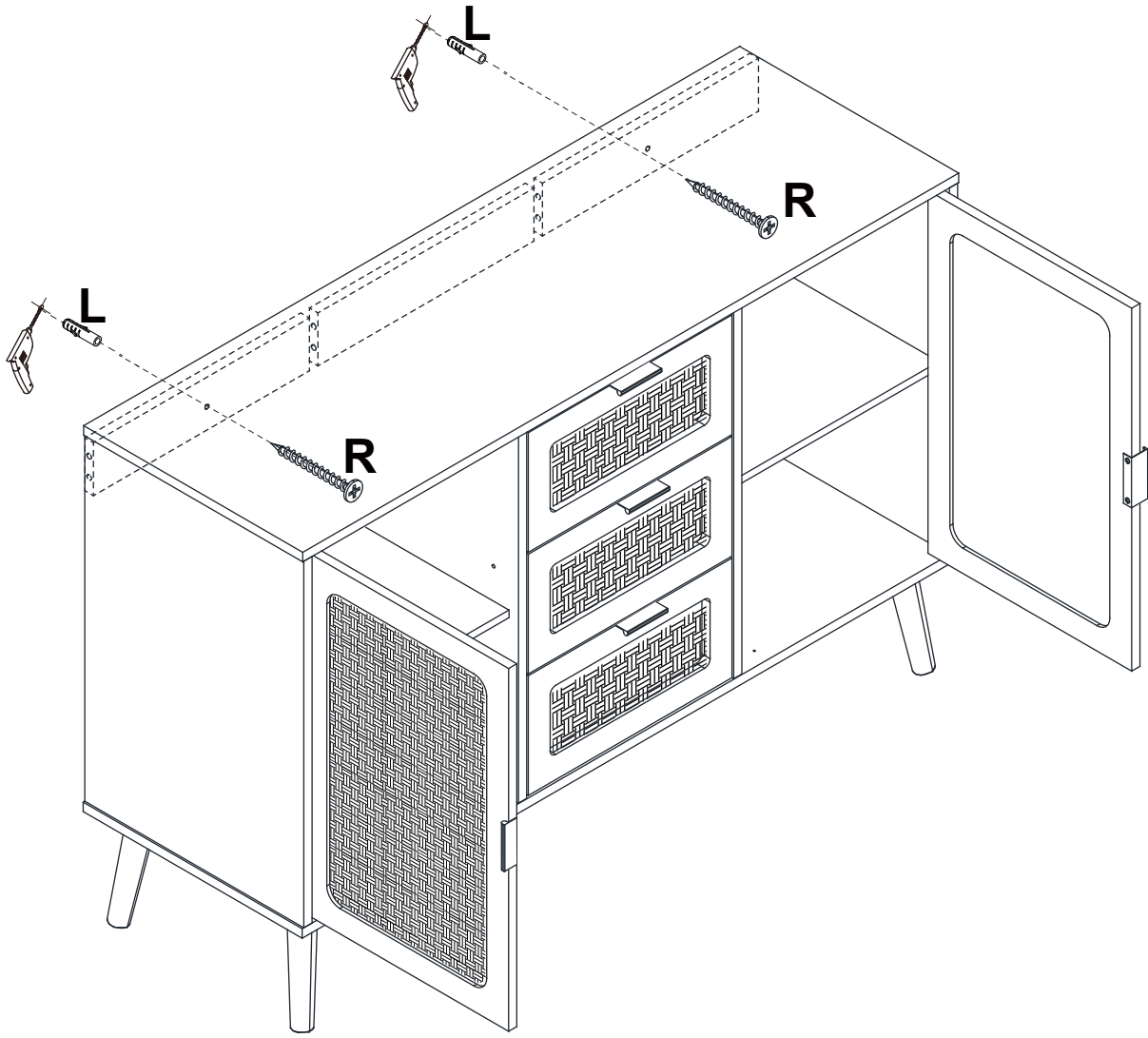
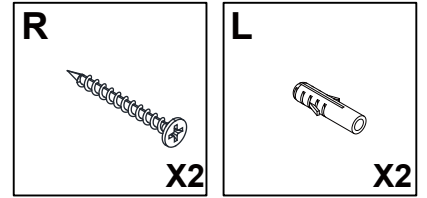
Step 12



Step 13



Step 14



Proper Use

- DO NOT** use for commercial purposes
- DO NOT** use as a step stool or stand on table
- DO NOT** put hot serving liquid directly on the table top
- DO NOT** leave spilled liquid on the table top
- DO NOT** use table if damaged
- DO NOT** exceed weight limit
- DO NOT** make temporary repairs
- DO NOT** use outdoor

Dear Customer:

Thank you for purchasing our product, we wish you satisfy our service, if you have any further questions or any quality issues, please show the belows number and don't hesitate to contact our Customer Service People :

W688202311