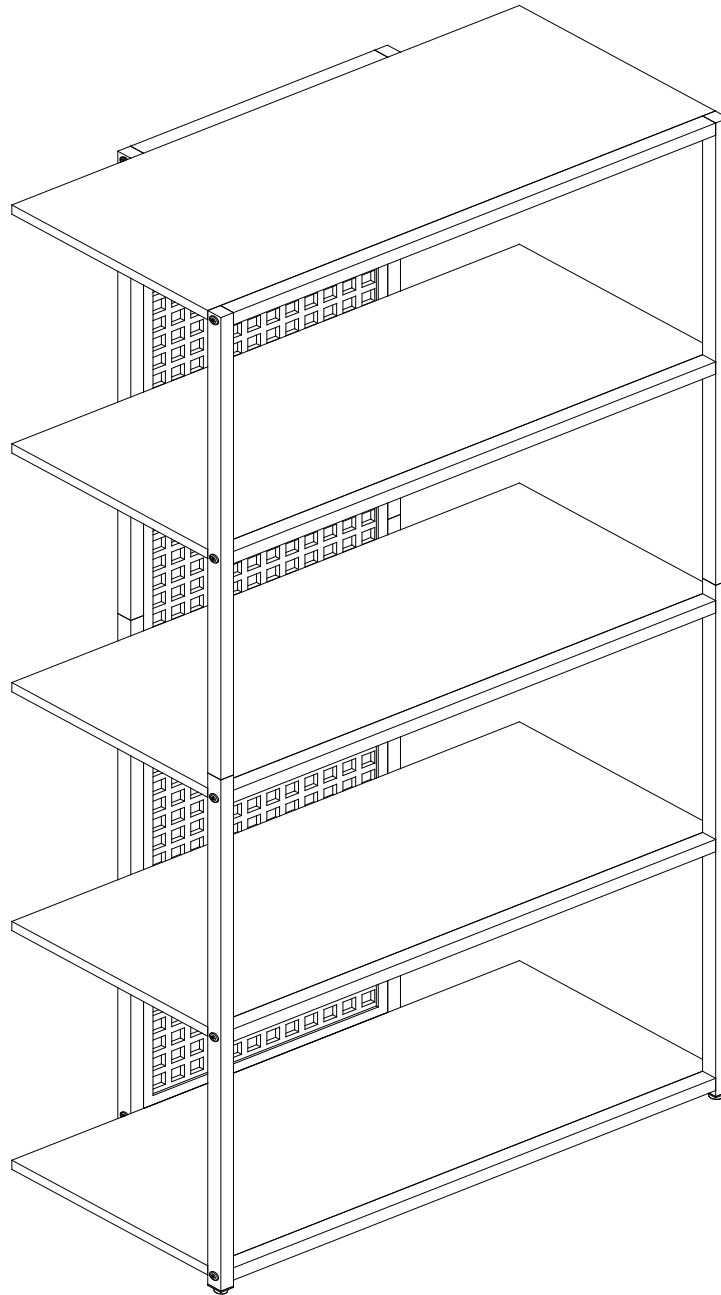


Installation Instruction



Product Name

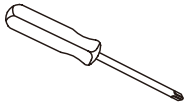
5 Layer Rack

Ver.1.0 20231117

Assembling

What you need

- Use the packaging carton as a working surface to prevent product damage during assembly
- Phillips head screwdriver



Weight Limitation



50 | **20**

lbs table top | lbs per shelf



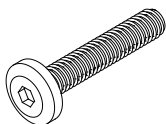
2 PERSONS

What 's included

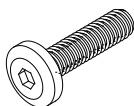
Code	Description	Qty
A	Bolt M6X35MM	14
B	Bolt M6X16MM	4
C	Screw M4X14MM	39
D	Screw M4X35MM	2
E	Allen Key	1
F	Metal Plate	2
G	Anchor M6X30MM	2

The hardware

A



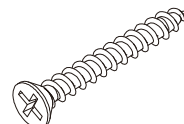
B



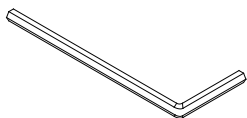
C



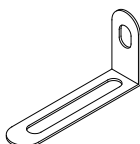
D



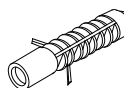
E



F



G



IMPORTANT :

1. Do not tighten bolts / screws completely until all bolts / screws are lined up and inserted into holes.
2. Do not over tighten screws and bolts to avoid stripping.
3. Please use hand tools to assemble this product. Do not use power tools.
4. Must need 2 people to assemble this product.

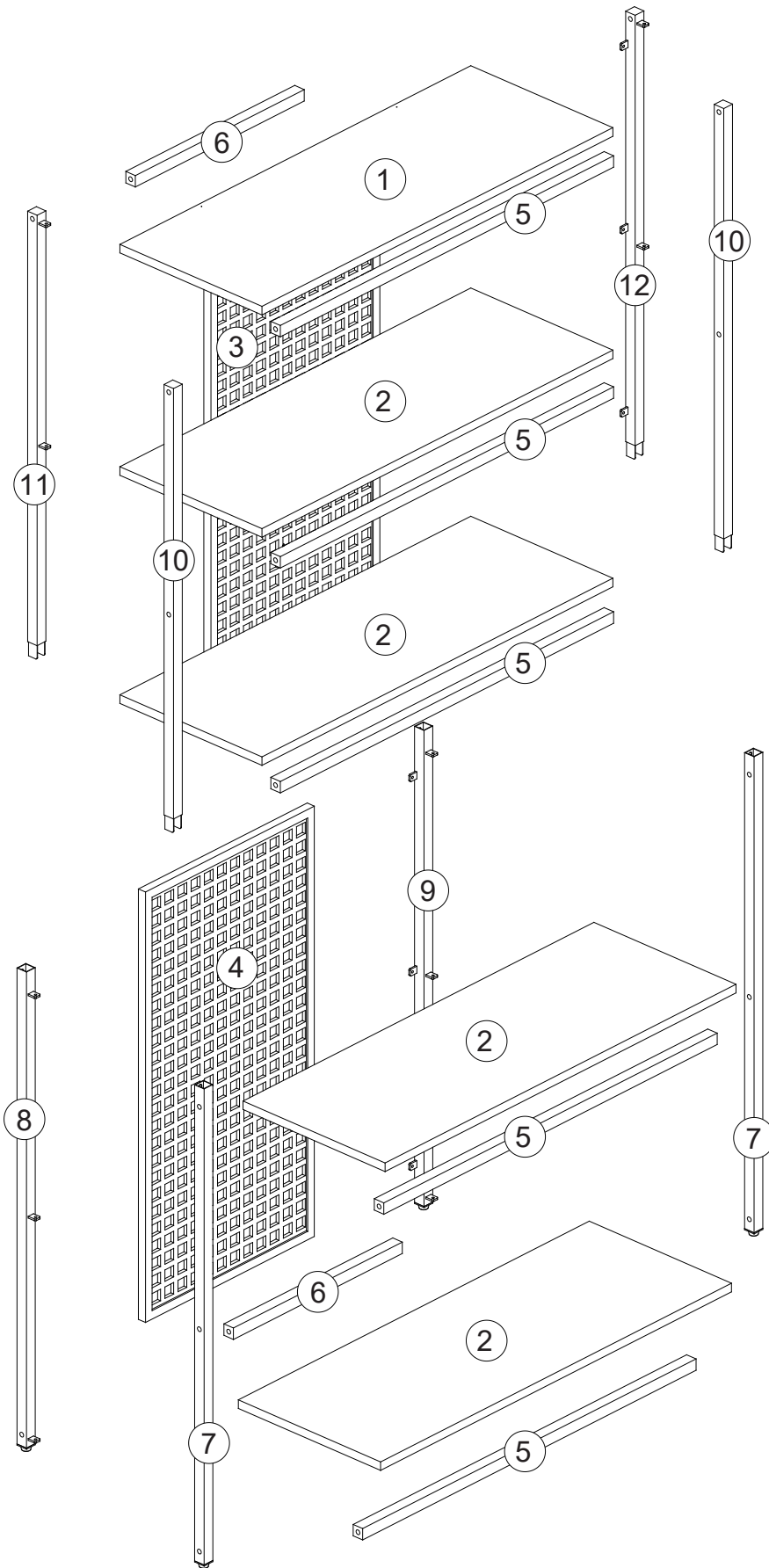


2 PERSONS

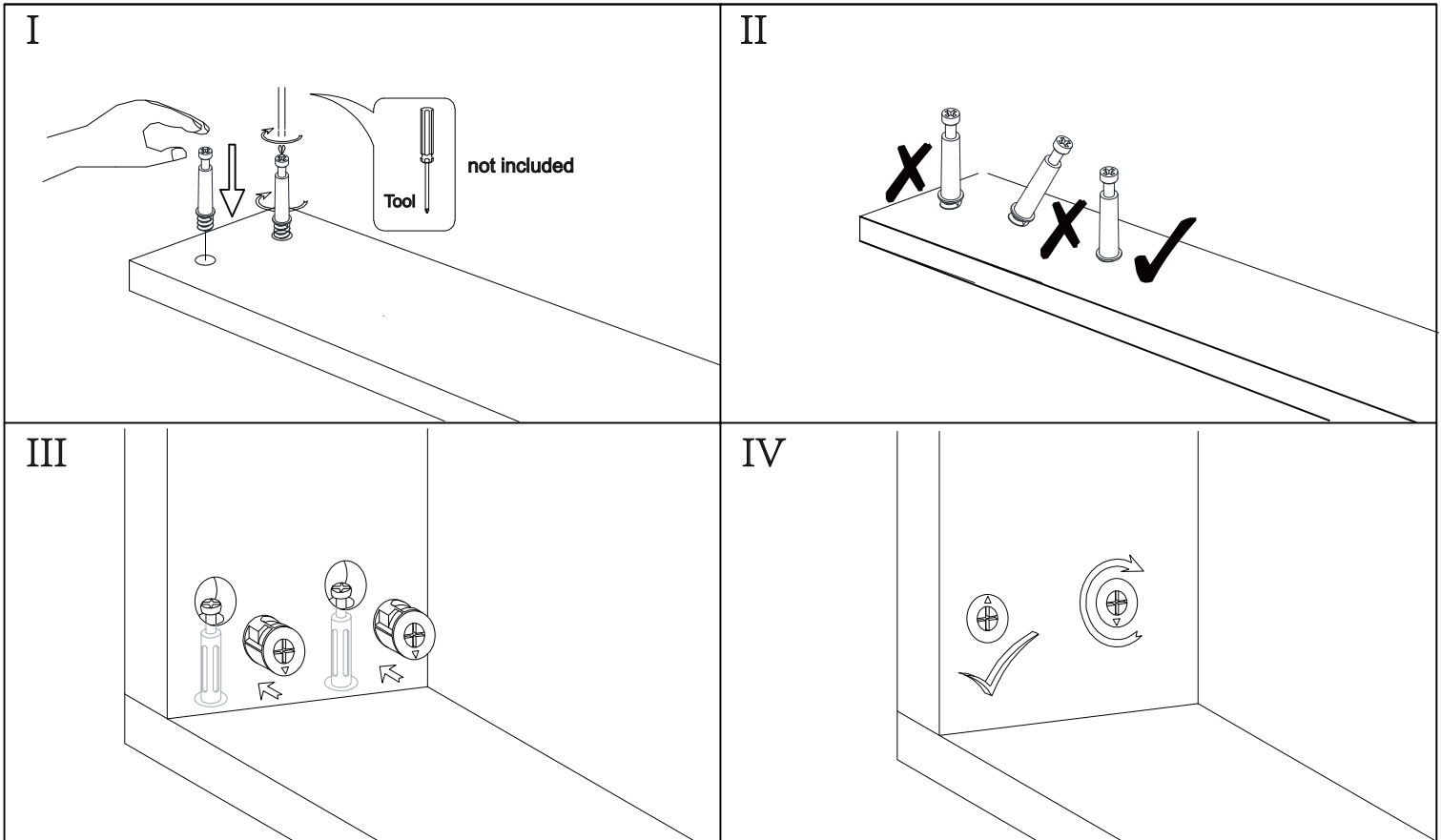
Included Accessories

Code	Description	Qty
1	Cabinet Top	1
2	Shelf	4
3	Upper Back Panel	1
4	Lower Back Panel	1
5	Metal Pipe	5
6	Metal Pipe	2
7	Metal Pipe	2
8	Metal Pipe	1
9	Metal Pipe	1
10	Metal Pipe	2
11	Metal Pipe	1
12	Metal Pipe	1

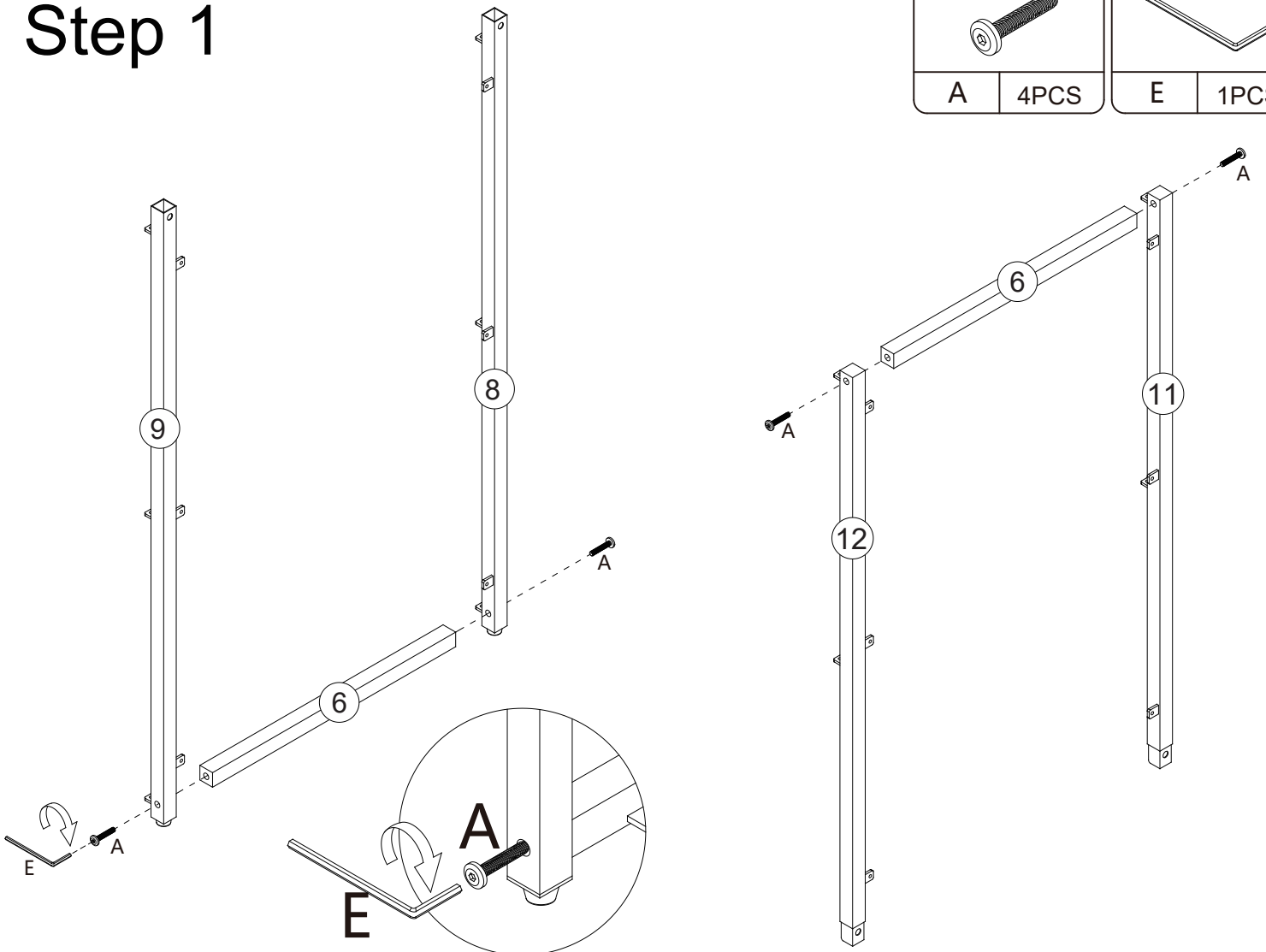
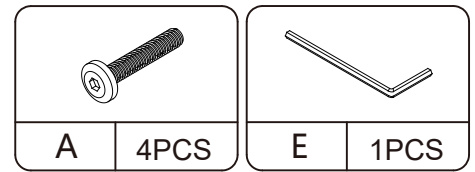
The Accessoriess



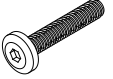
NOTED:

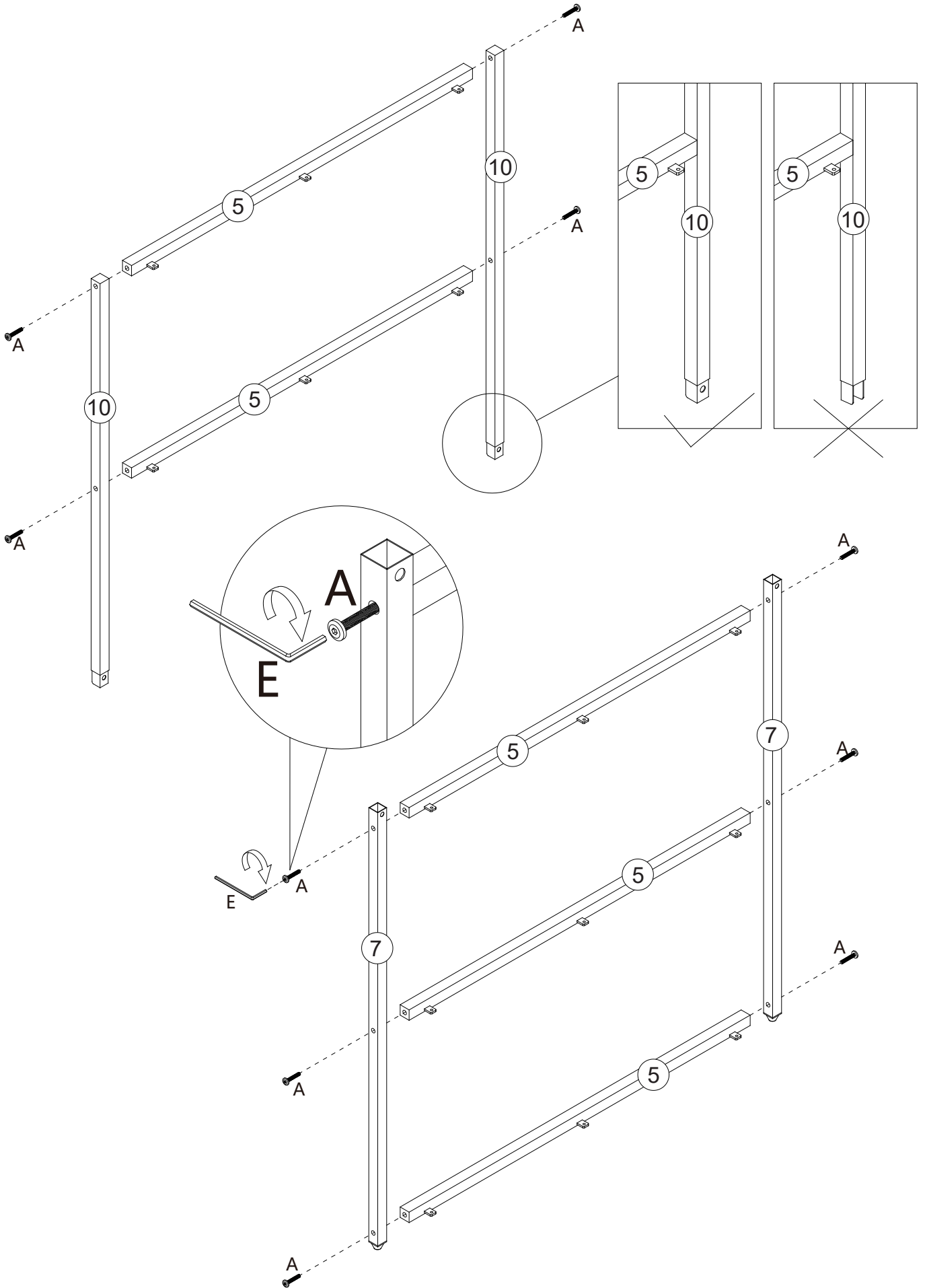


Step 1

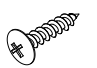


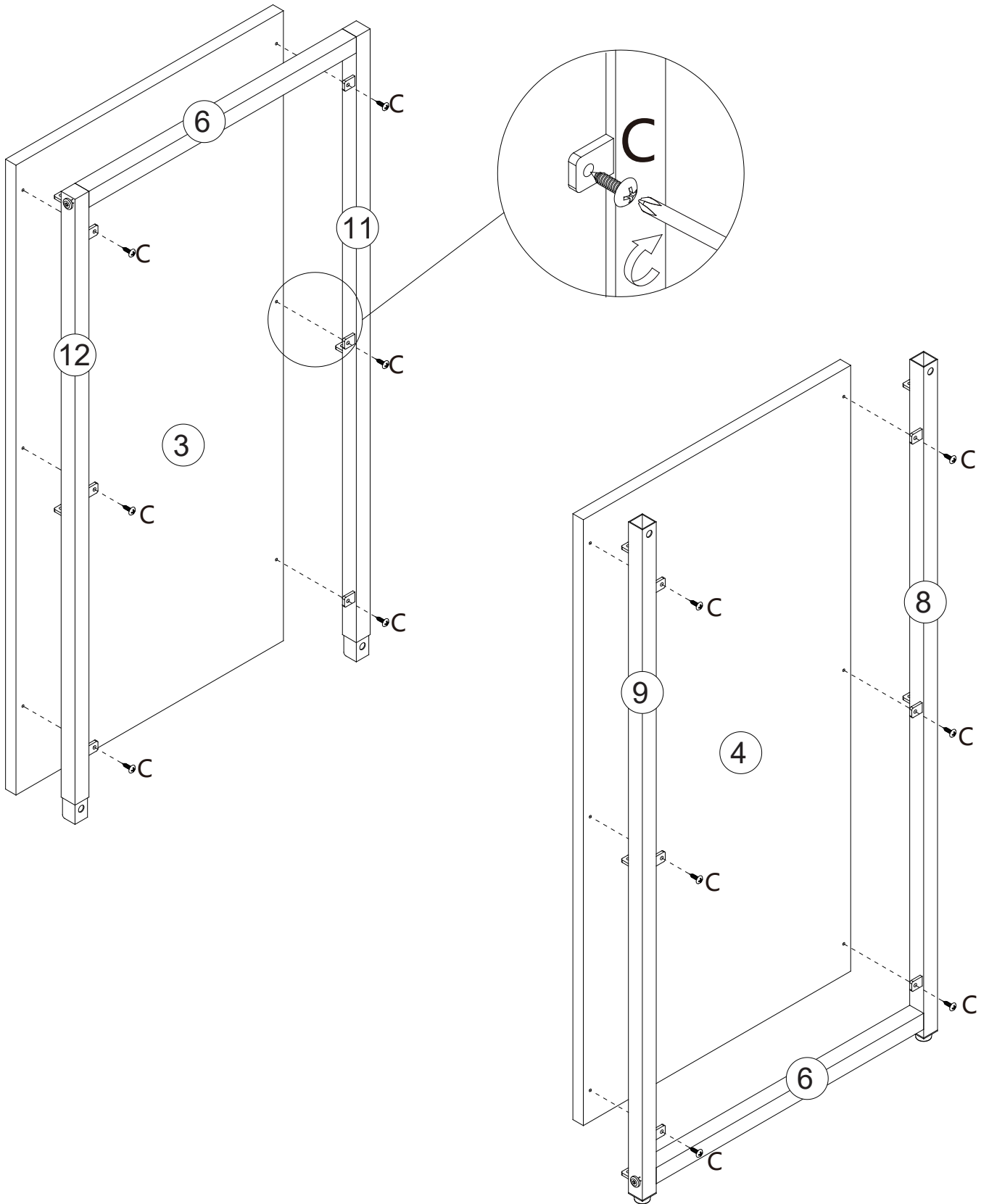
Step 2

	
A	10PCS

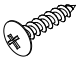


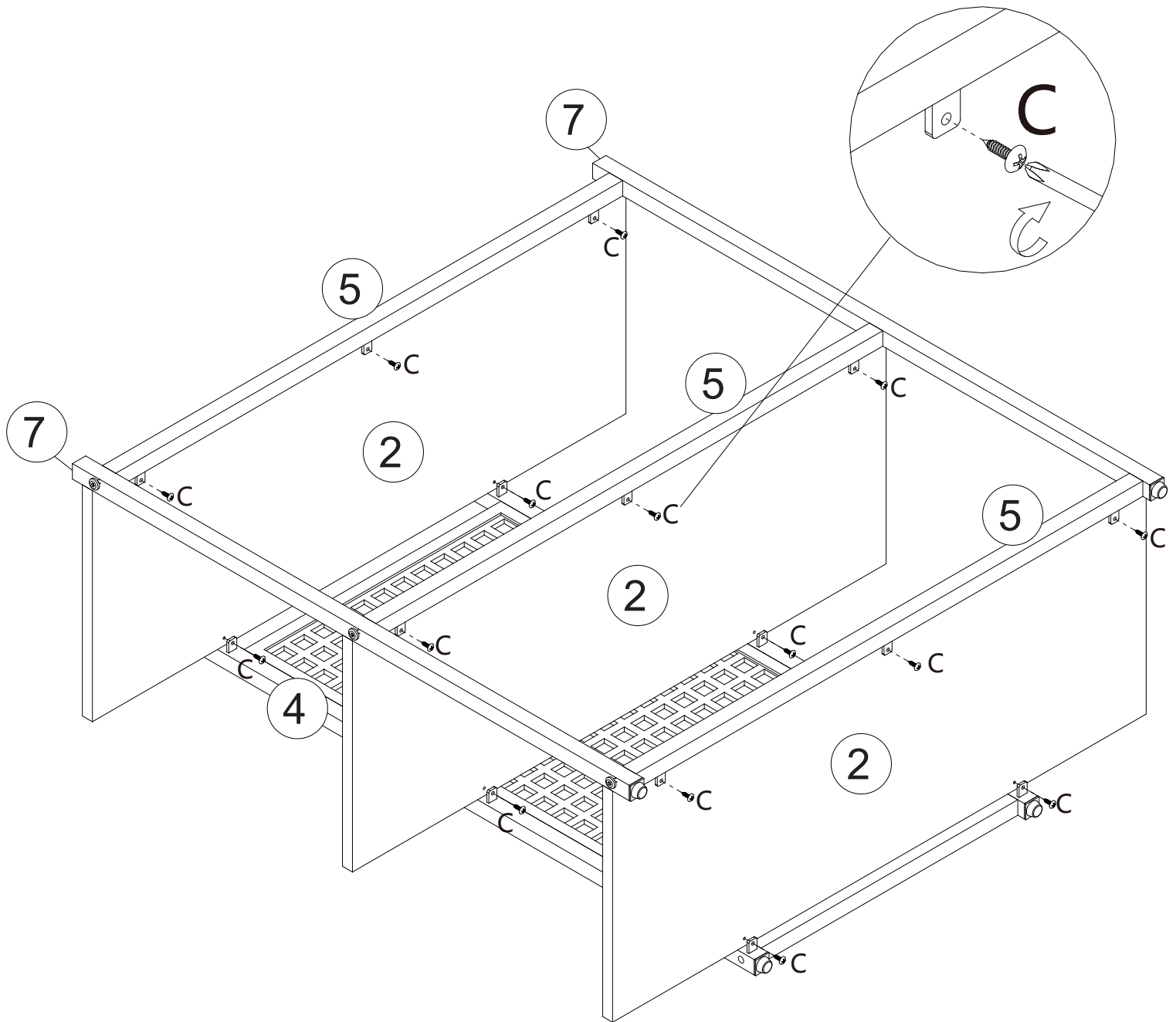
Step 3

	
C	12PCS

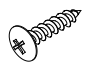


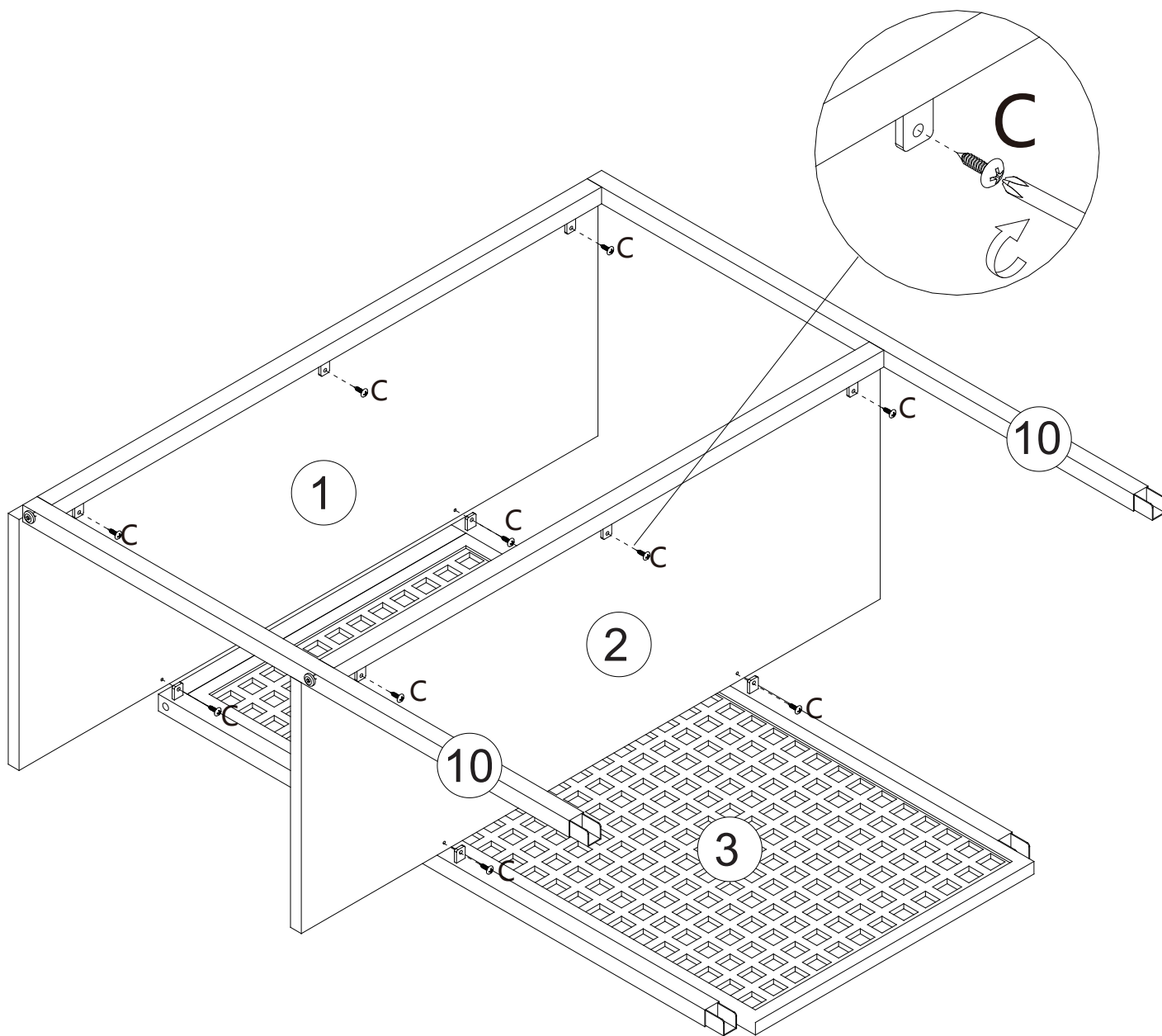
Step 4

	
C	15PCS

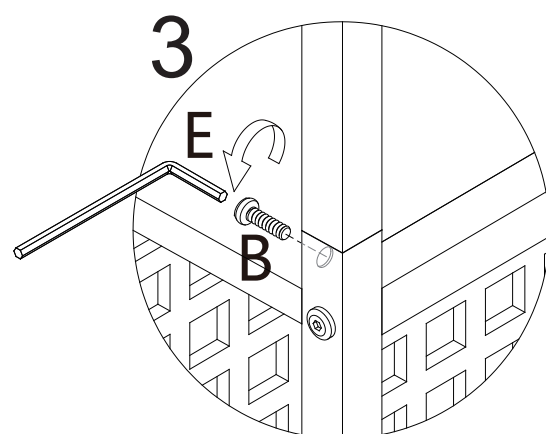
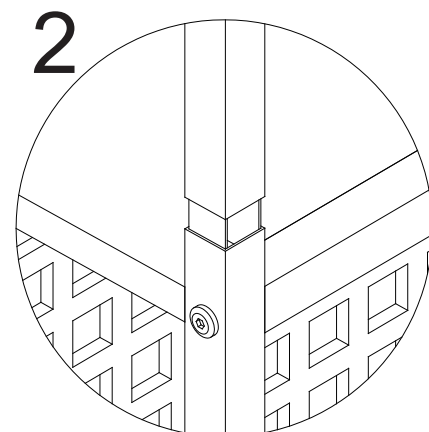
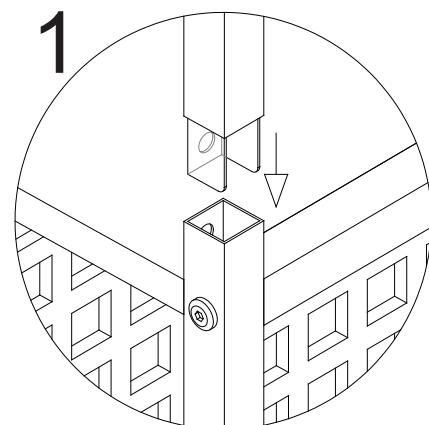
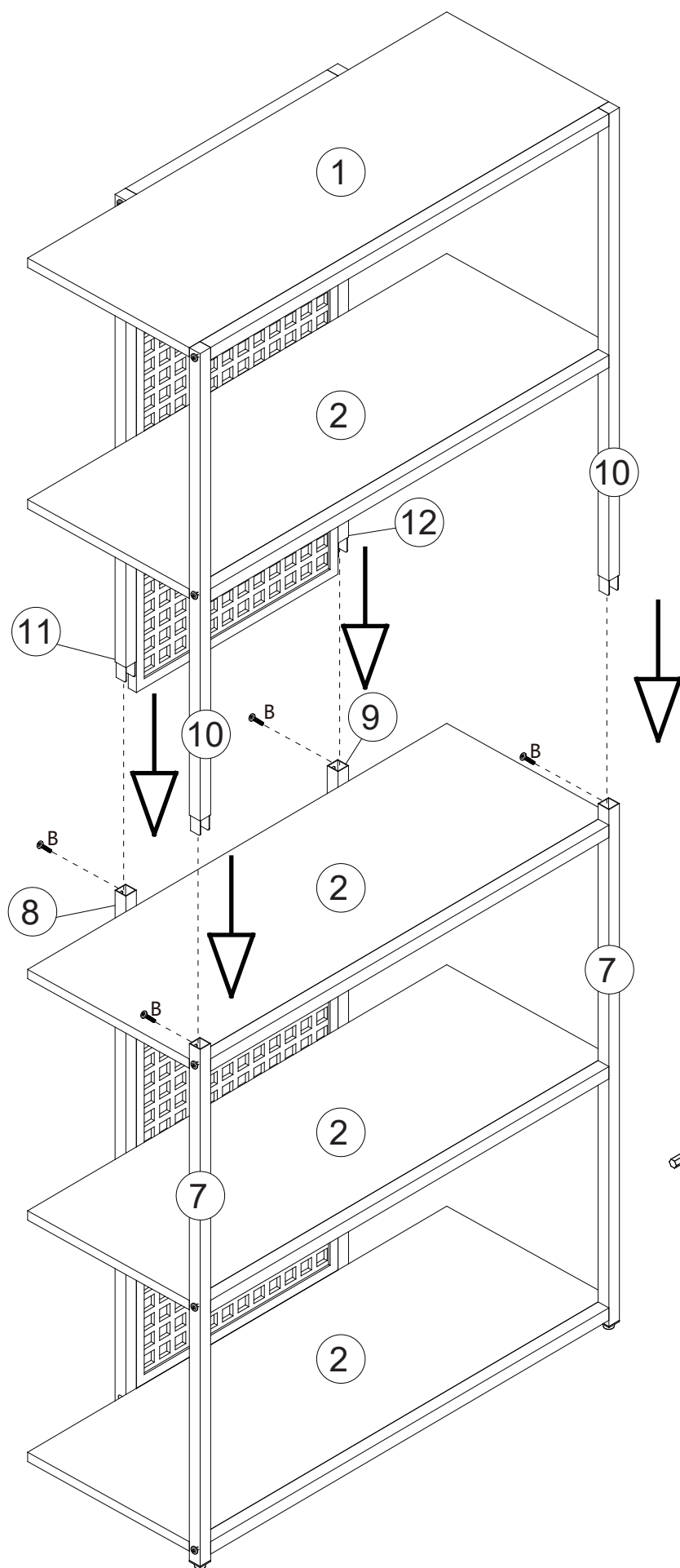
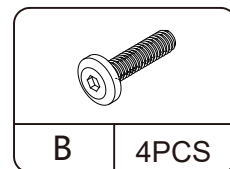


Step 5

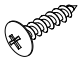
	
C	10PCS




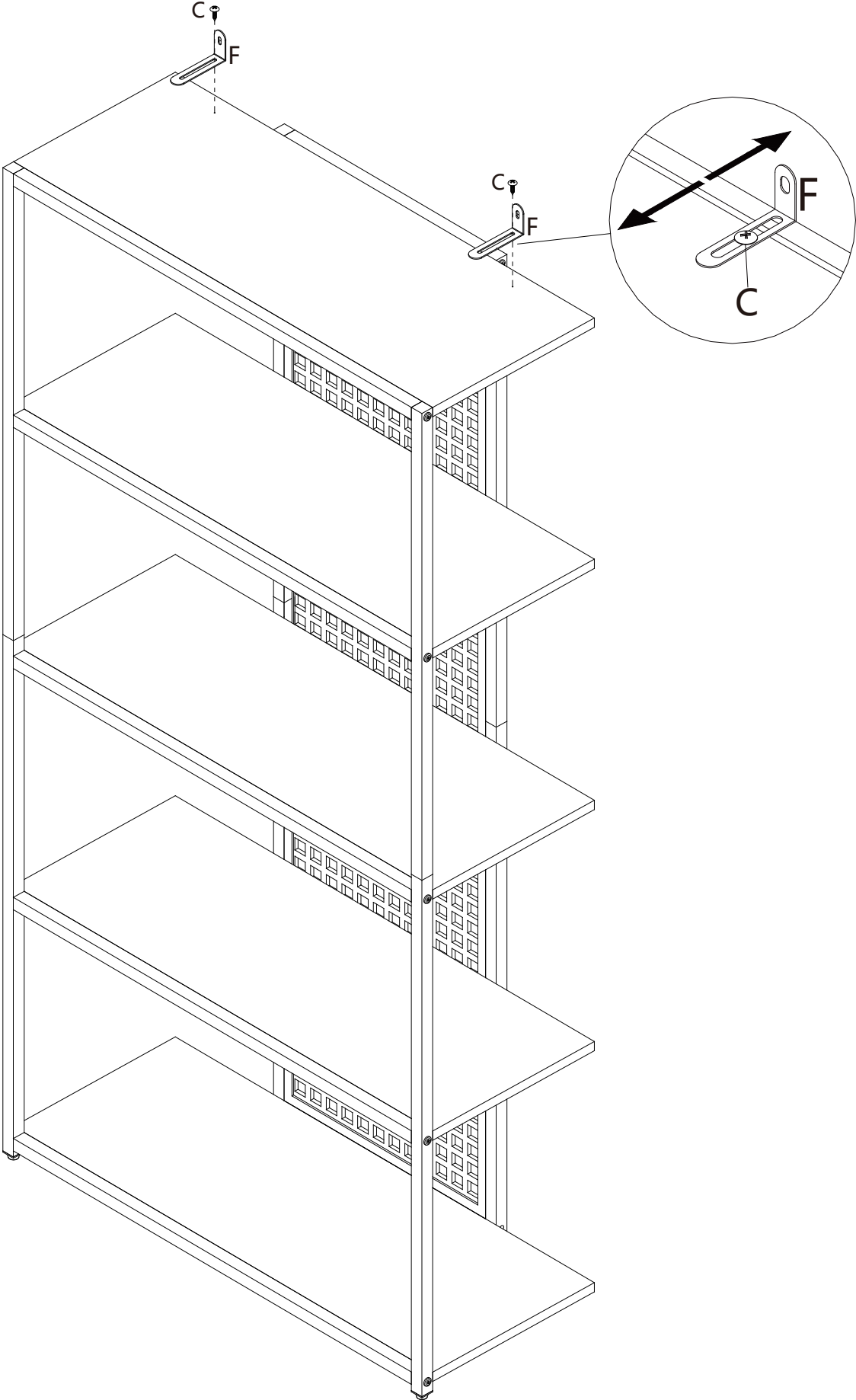
Step 6



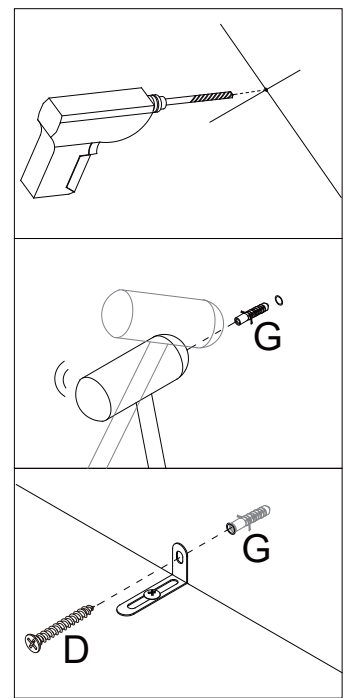
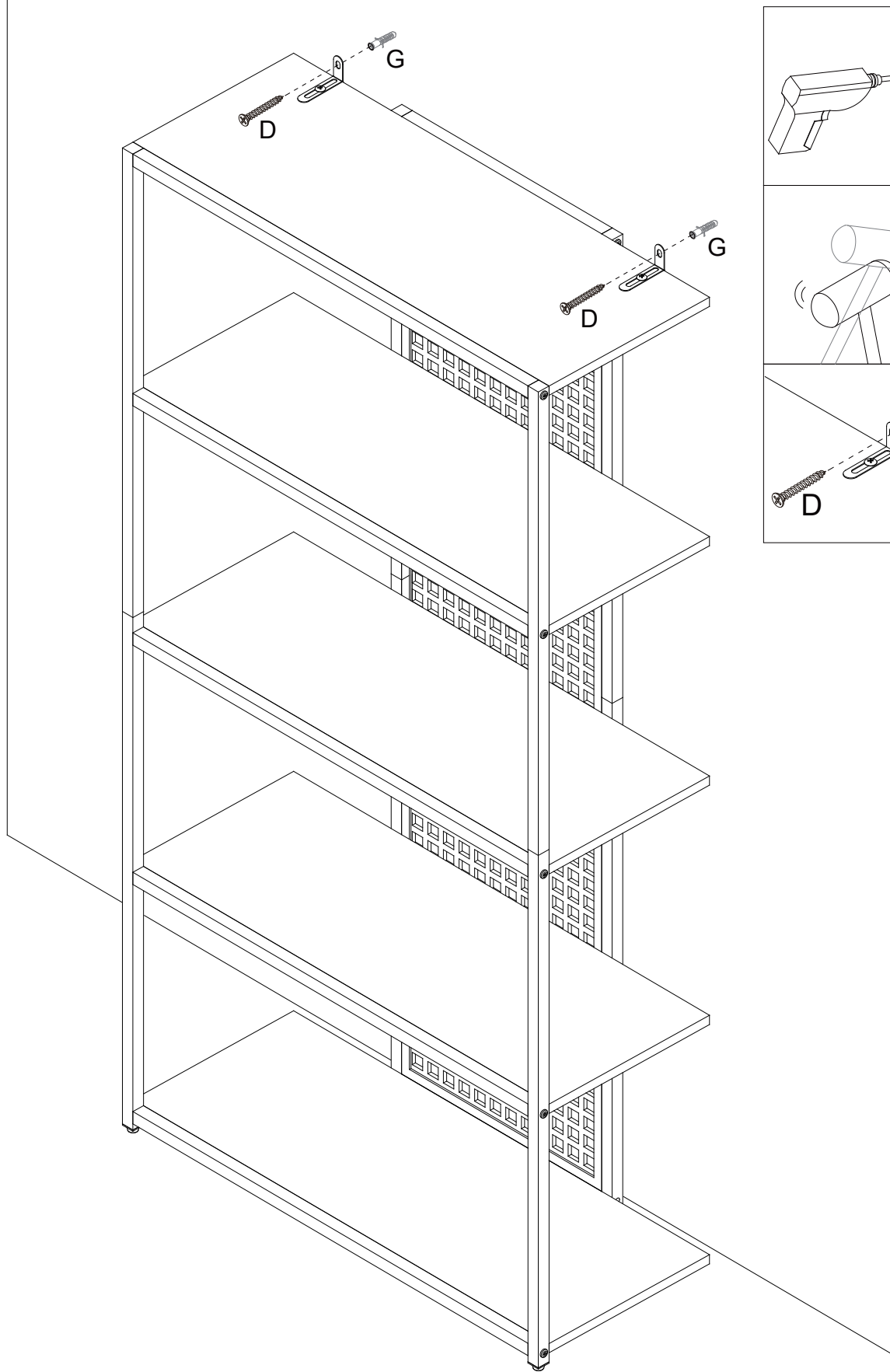
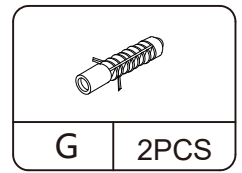
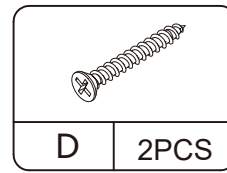
Step 7

	
C	2PCS

	
F	2PCS



Step 8



Proper Use

- DO NOT** use for commercial purposes
- DO NOT** use as a step stool or stand on table
- DO NOT** put hot serving liquid directly on the table top
- DO NOT** leave spilled liquid on the table top
- DO NOT** use table if damaged
- DO NOT** exceed weight limit
- DO NOT** make temporary repairs
- DO NOT** use outdoor

Dear Customer :

Thank you for purchasing our product,we wish you satisfy our service,if you have any further questions or any quality issues, please show the belows number and don't hesitate to contact our Customer Service People:

W688202311