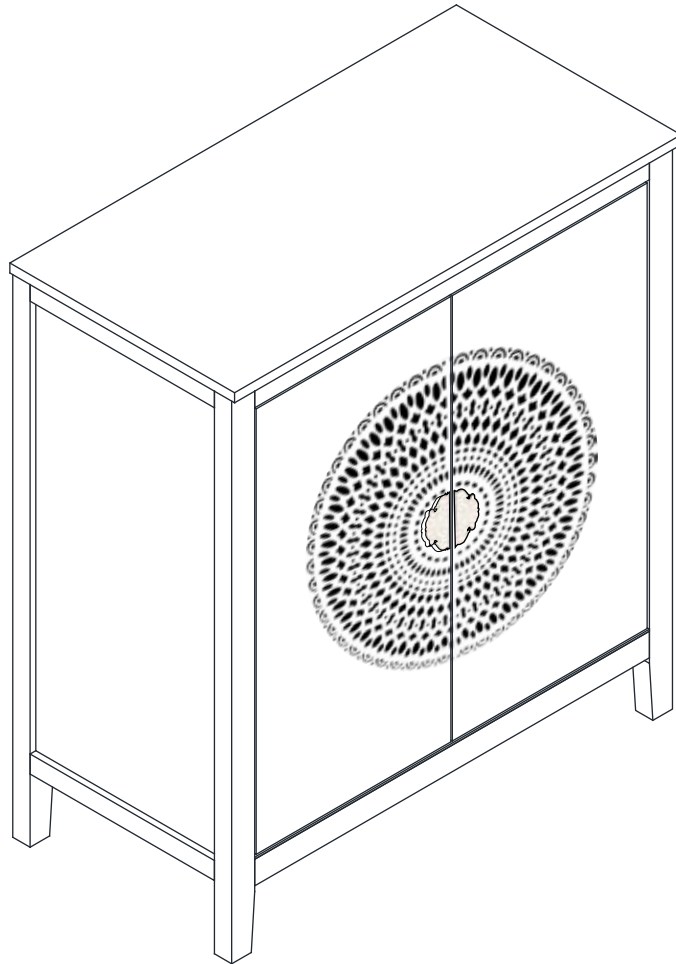


Installation Instruction



Product Name

2 Door Cabinet

Ver.1.0 20230801

Assembling

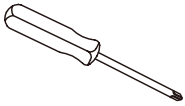
Estimated time for assembly



25 : 00

What you need

- Use the packaging carton as a working surface to prevent product damage during assembly
- Phillips head screwdriver



Weight Limitation



55 | **5**
lbs table top | lbs per shelf



2 PERSONS

What's included

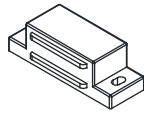
Code	Description	Qty
A	Bolt M6X30MM	12
B	Magnetic Door Catcher	2
C	Screw Φ 3x16mm	12
D	Screw Φ 3x14mm	4
E	Metal Plate	4
F	Metal Washer	12
G	Plastic Pin	4
H	Allen Key	1
I	Plastic Corner Support	8
J	Screw Φ 4x40mm	2
K	Nylon strap	2
L	Screw M4X14MM	2
M	Anchor M6X30MM	2
N	Handle	2
O	Metal Support	4

The Hardwares

A



B



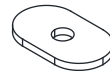
C



D



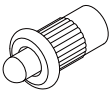
E



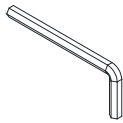
F



G



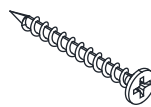
H



I



J



K



L



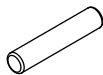
M



N



O



IMPORTANT:

1. Do not tighten bolts / screws completely until all bolts / screws are lined up and inserted into holes.
2. Do not over tighten screws and bolts to avoid stripping.
3. Please use hand tools to assemble this product. Do not use power tools.
4. Must need 2 people to assemble this product.

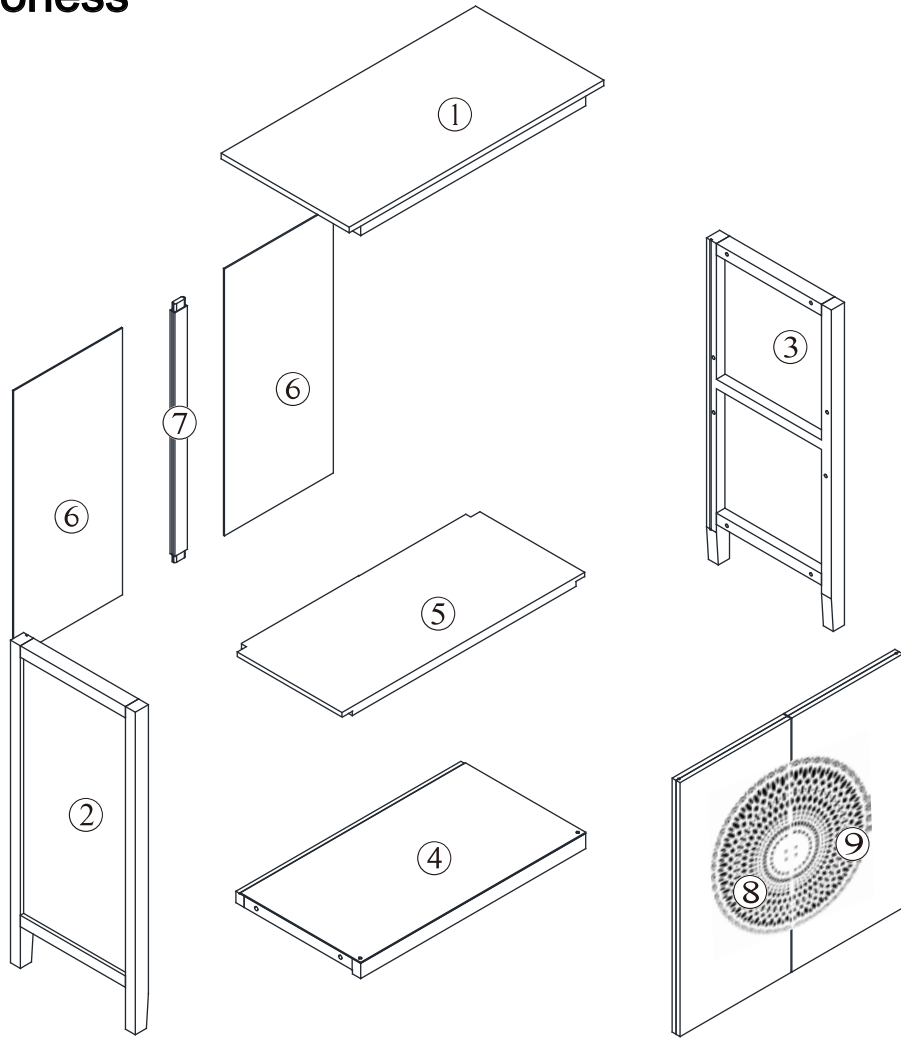


2 PERSONS

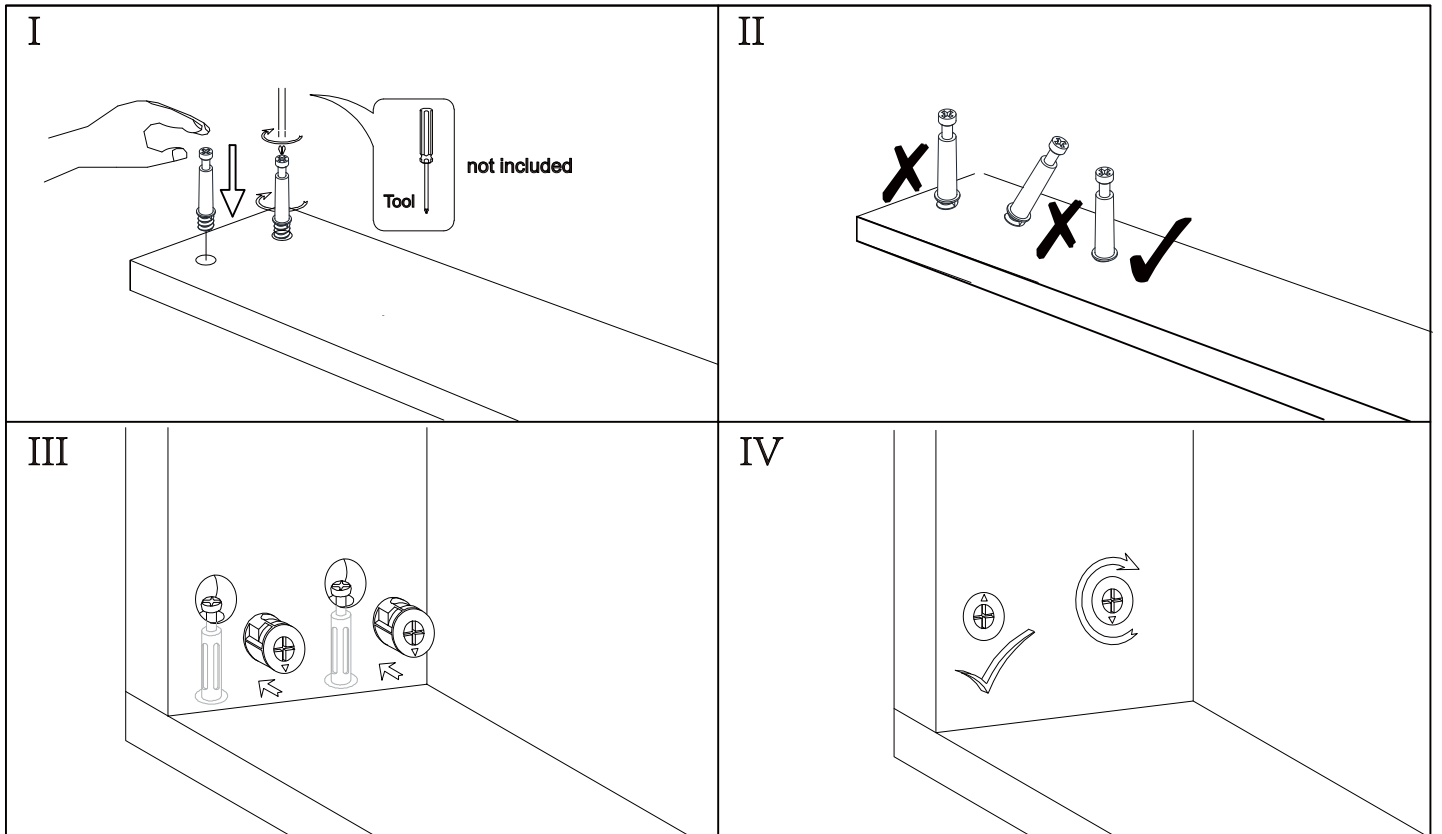
Included Accessories

Code	Description	Qty
1	Cabinet Top	1
2	Left Side Panel	1
3	Right Side Panel	1
4	Bottom Panel	1
5	Shelf	1
6	Back Panel	2
7	Back Support Panel	1
8	Left Door	1
9	Right Door	1

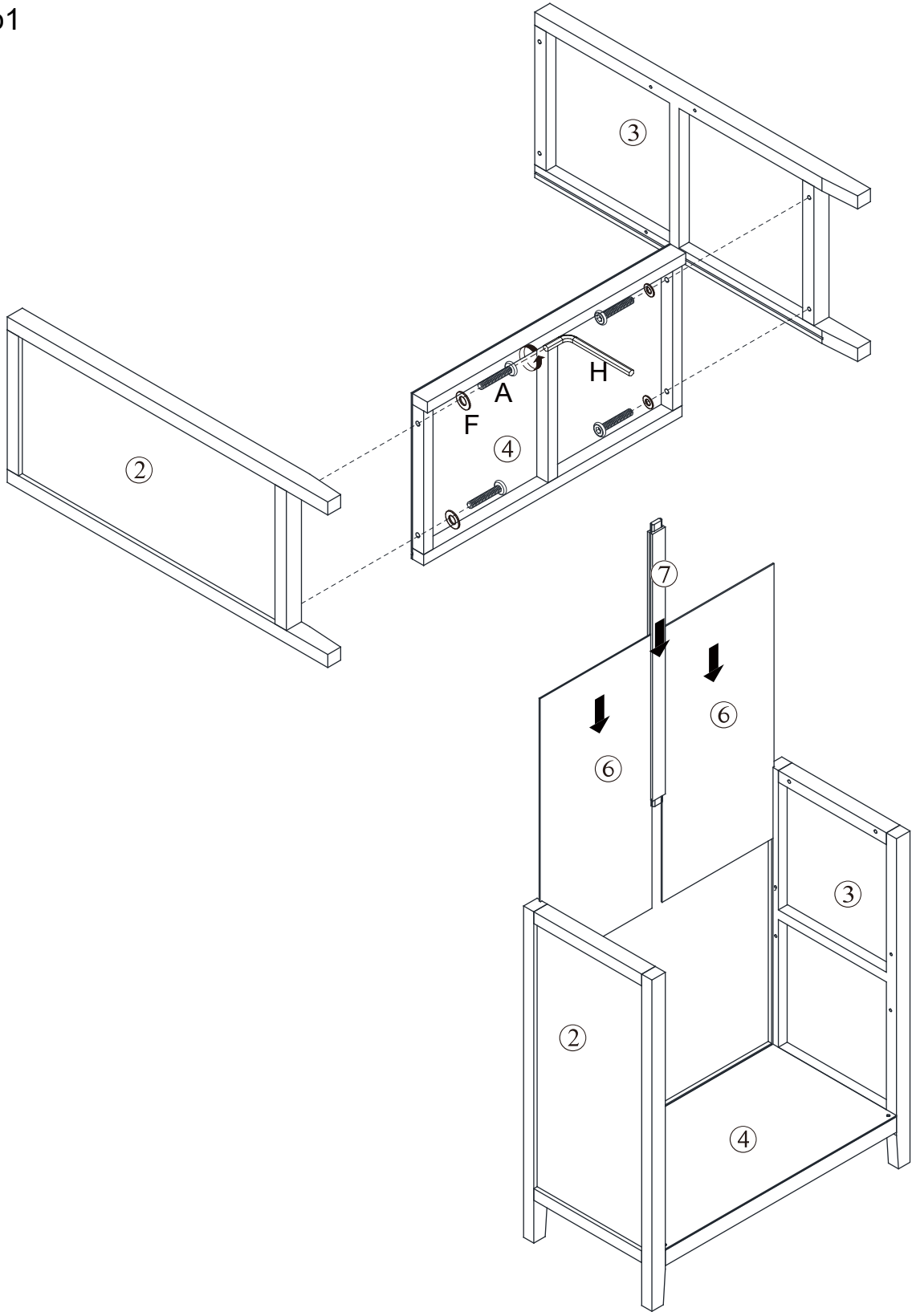
The Accessoriess

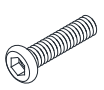

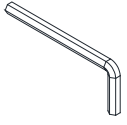


NOTED.

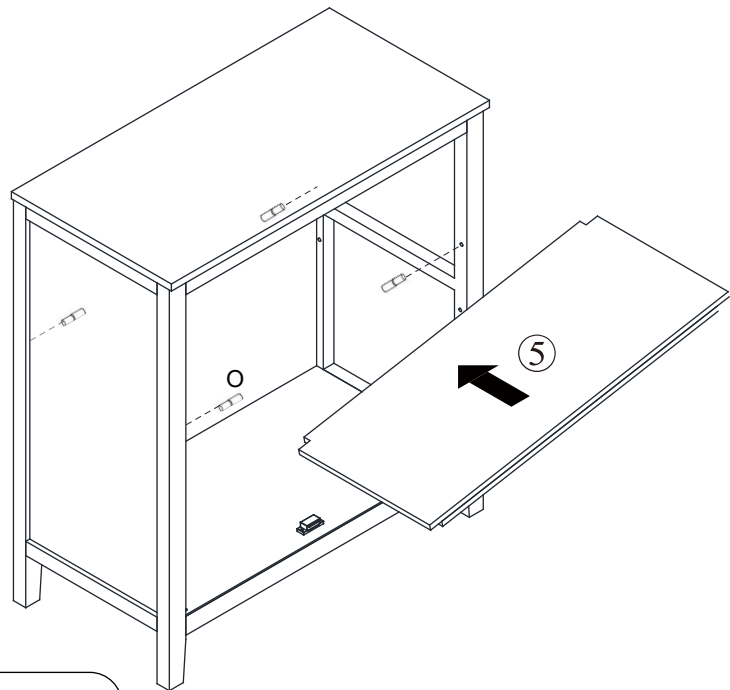
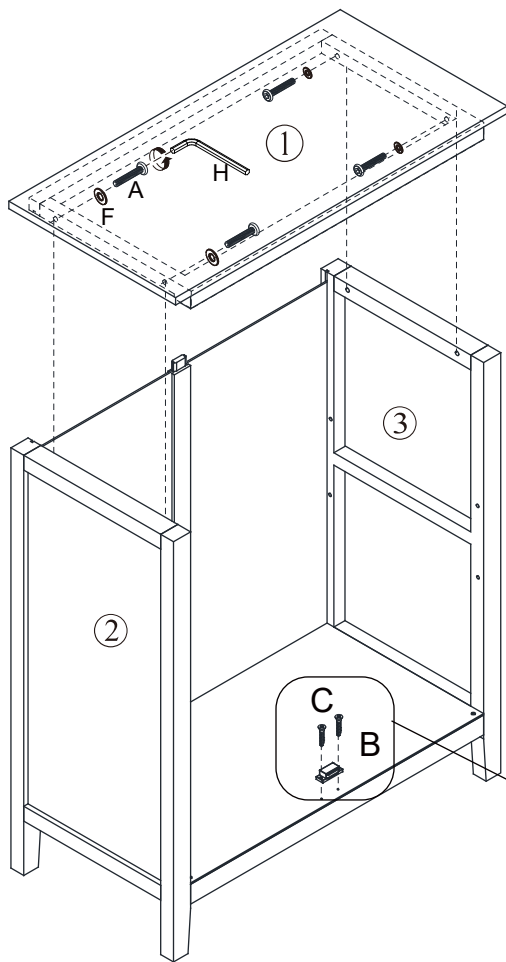
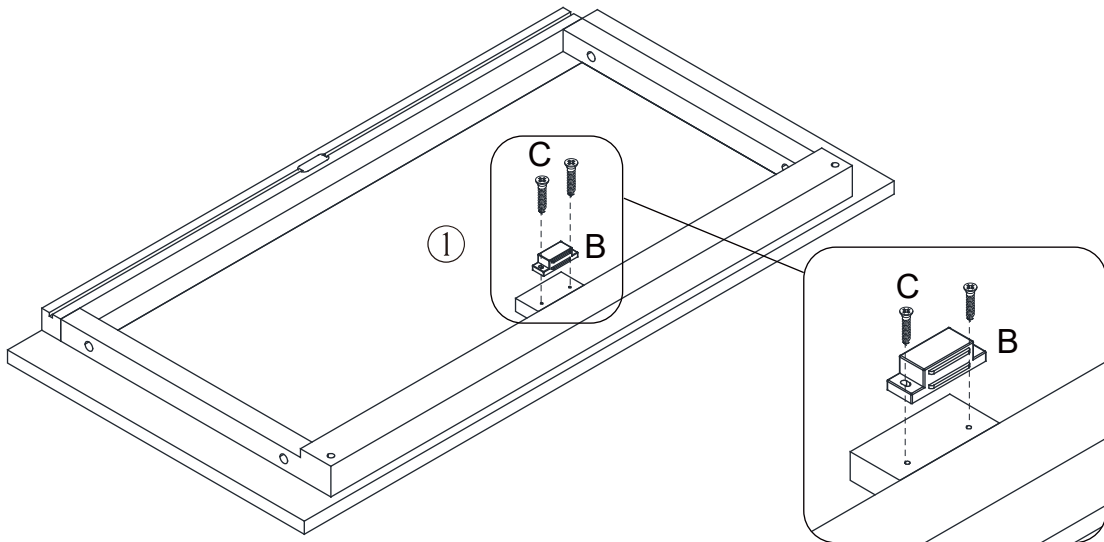


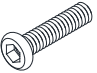
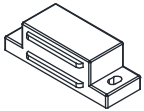
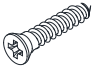

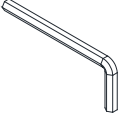

Step1



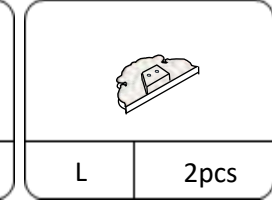
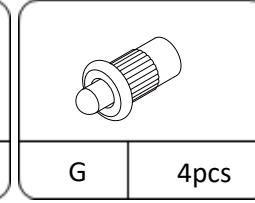
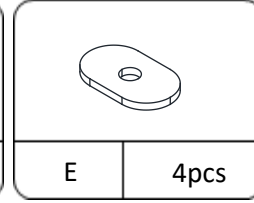
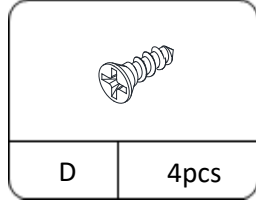
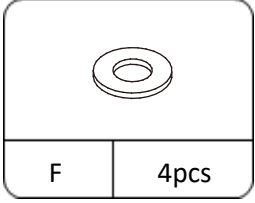
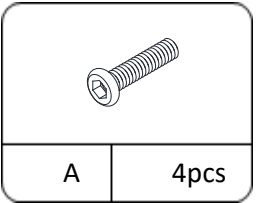
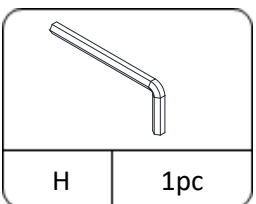
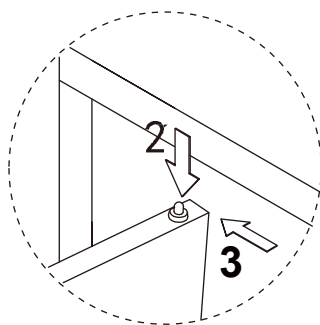
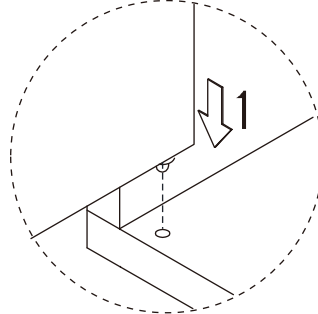
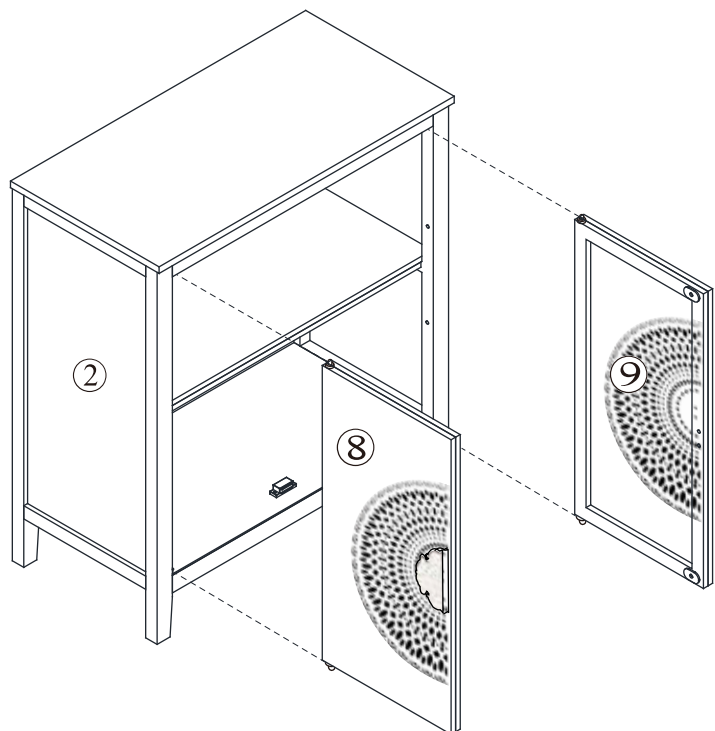
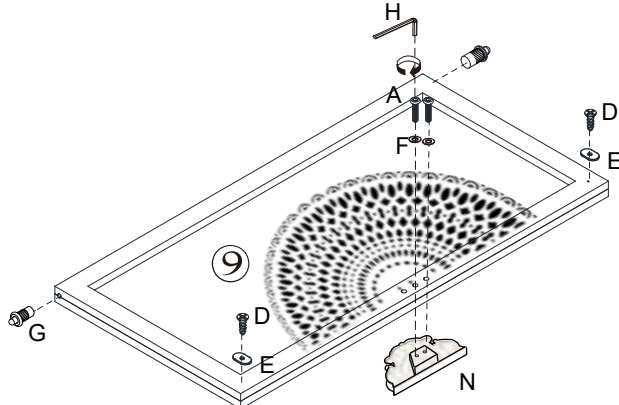
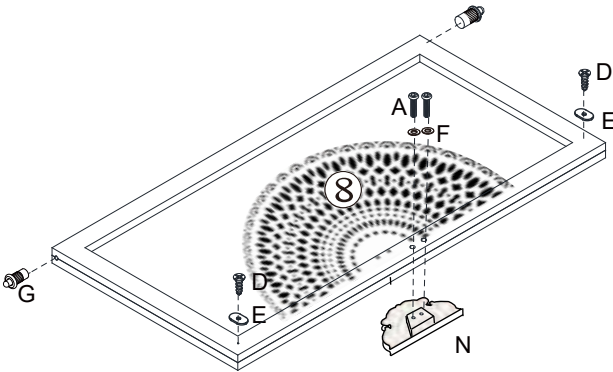
					
A	4pcs	F	4pcs	H	1pc

Step2

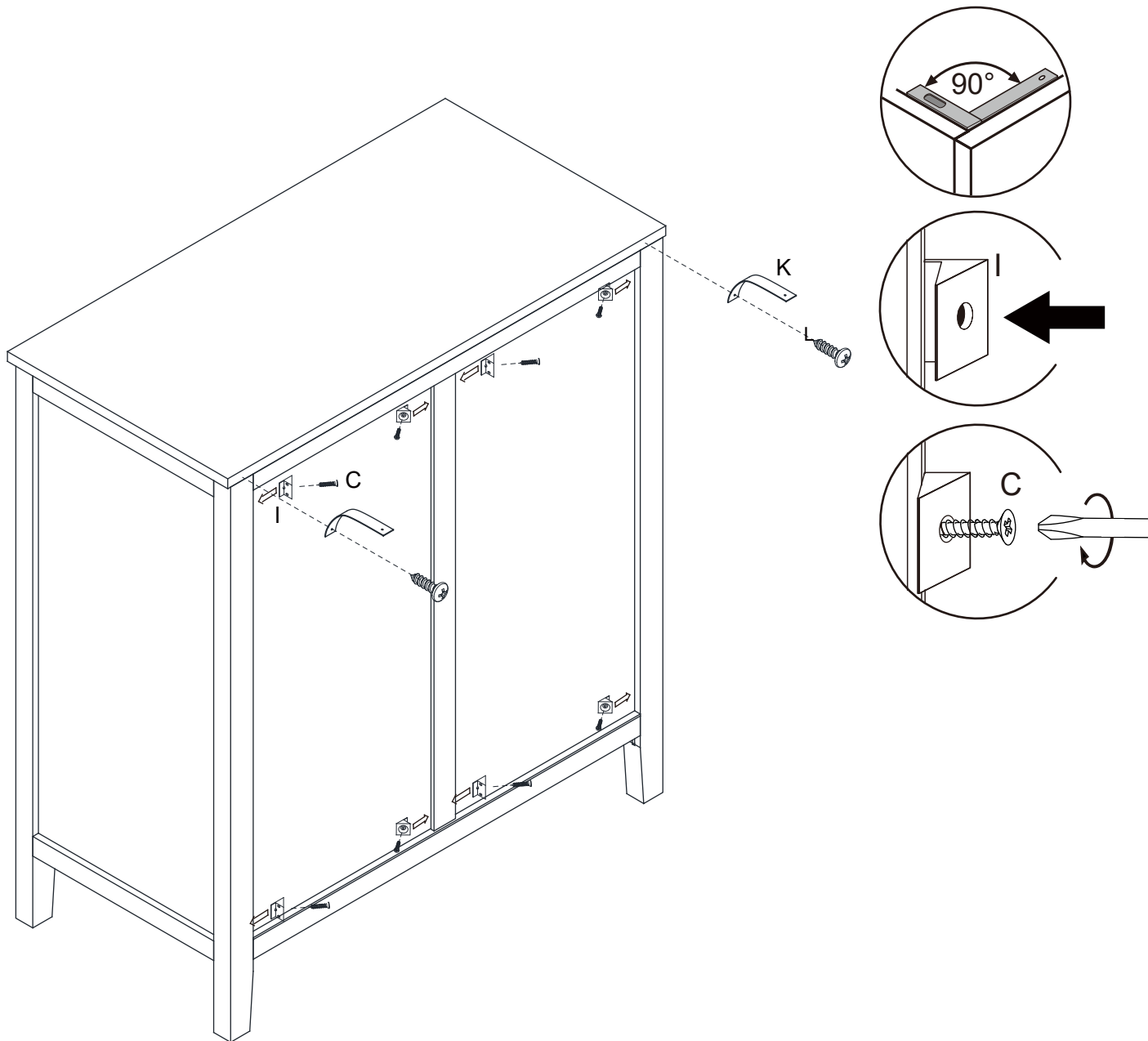



					
A	B	C	F	H	O
4pcs	2pcs	4pcs	4pcs	1pc	4pcs

Step3

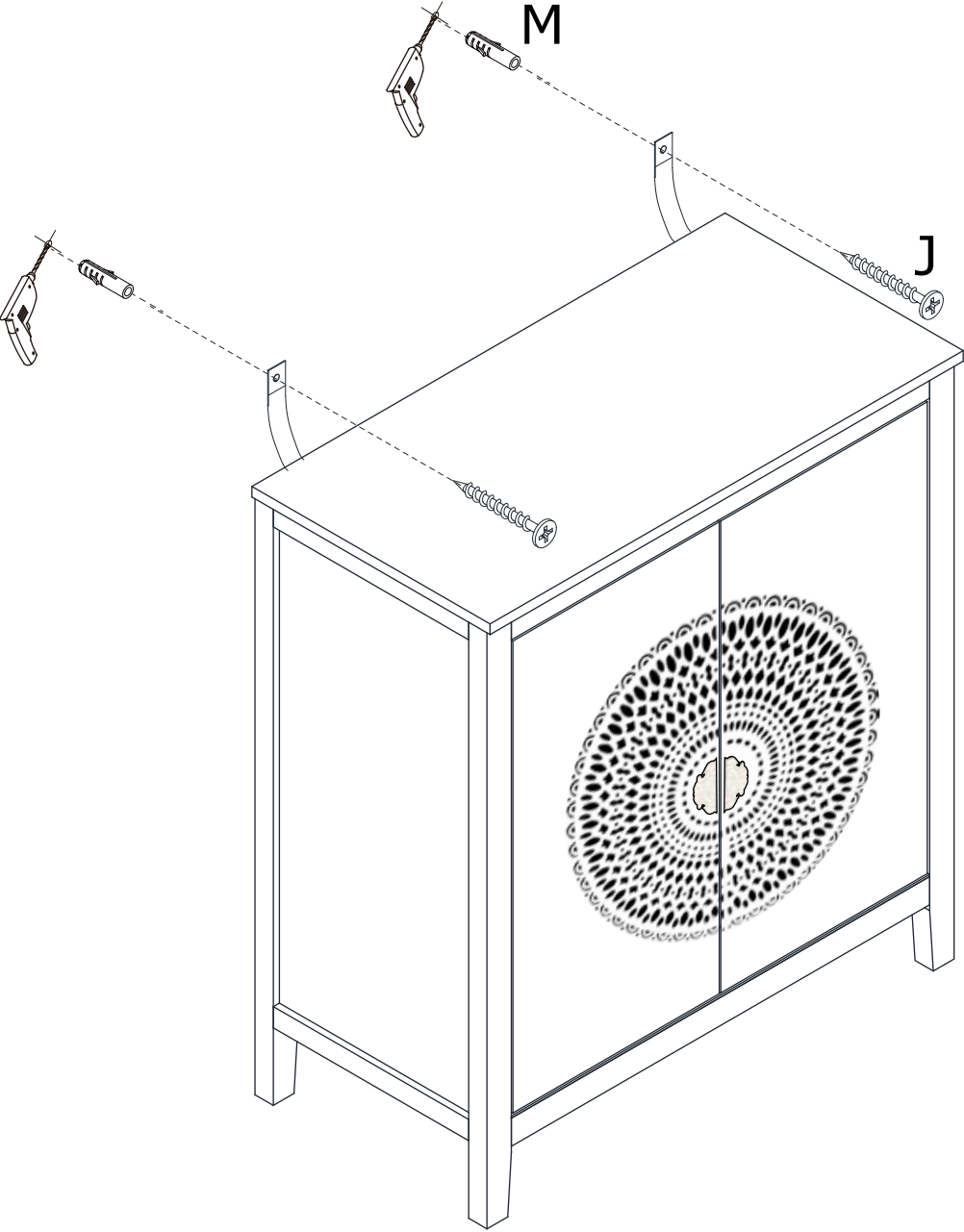


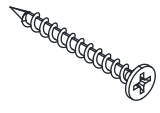
Step4

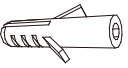


							
C	8pcs	I	8pcs	K	2pcs	L	2pcs

Step5



	
J	2pcs

	
M	2pcs

Proper Use

- DO NOT** use for commercial purposes
- DO NOT** use as a step stool or stand on table
- DO NOT** put hot serving liquid directly on the table top
- DO NOT** leave spilled liquid on the table top
- DO NOT** use table if damaged
- DO NOT** exceed weight limit
- DO NOT** make temporary repairs
- DO NOT** use outdoor

Dear Customer:

Thank you for purchasing our product, we wish you satisfy our service, if you have any further questions or any quality issues, please show the belows number and don't hesitate to contact our Customer Service People :

W688202309