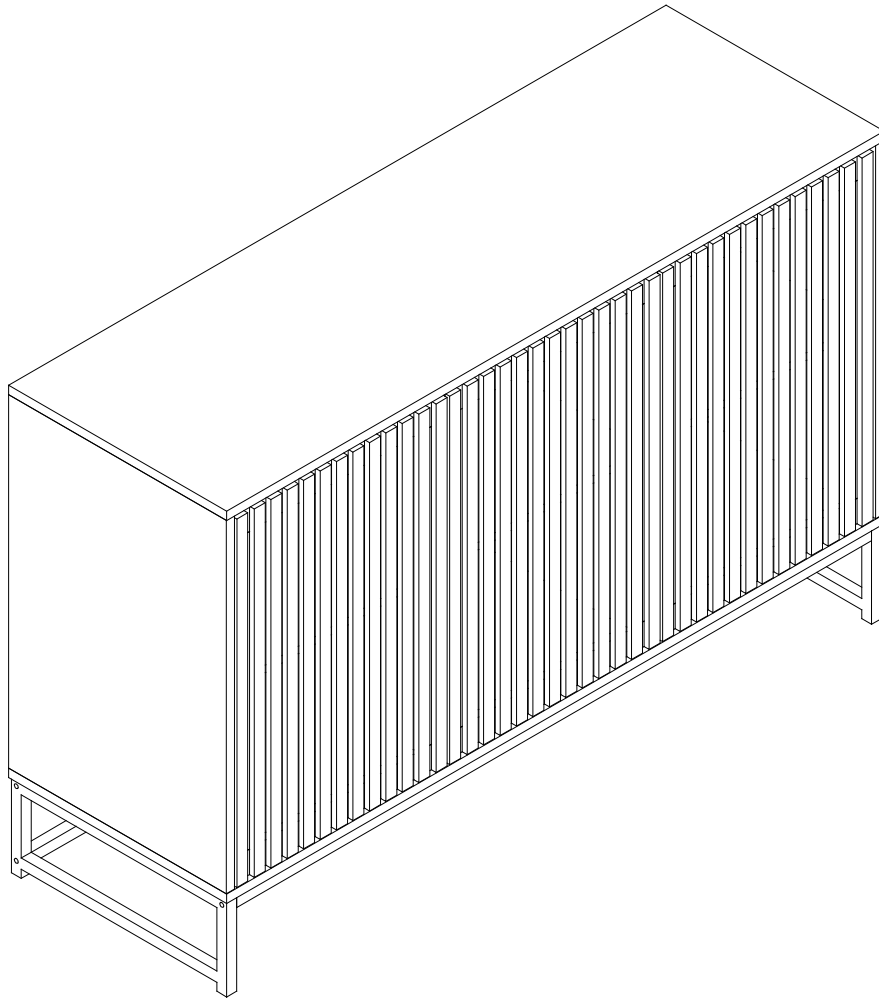


Installation Instruction



Product name

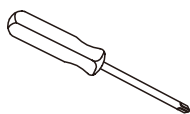
3 Door Cabinet

Ver.1.0 20230801

Assembling

What you need

- Use the packaging carton as a working surface to prevent product damage during assembly
- Phillips head screwdriver



Weight Limitation



40 | **22**
lbs table top | lbs per drawer



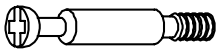
2 PERSONS

What's included

Code	Description	Qty
A	Cam Bolt M6X35MM	11
B	Cam Lock 15X10MM	11
C	Screw M4X40MM	9
D	Screw M4X14MM	36
E	Screw M3.5X12MM	15
F	Screw M3X14MM	16
G	Screw M4X40MM	2
H	Screw M4X14MM	6
I	Wooden Dowel M6X30MM	16
J	Bolt M6X40MM	6
K	Bolt M6X30MM	10
L	Door Rebound Device	3
M	Door Rebound Device Holder	3
N	Metal Plate	3
O	Plastic Door Catcher	3
P	Hinge (1)	4
Q	Nylon Strap	2
R	Anchor M6X30MM	2
S	Metal Support	8
T	Plastic Corner Support	10
U	Allen Key	1
V	Wooden Dowel M6X50MM	1
W	Hinge (2)	2

The Hardwares

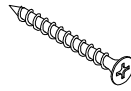
A



B



C



D



E



F



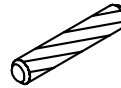
G



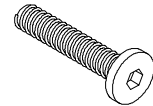
H



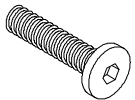
I



J



K



L



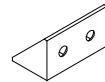
M



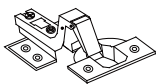
N



O



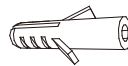
P



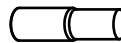
Q



R



S



T



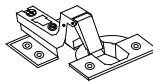
U



V



W



IMPORTANT:

1. Do not tighten bolts / screws completely until all bolts / screws are lined up and inserted into holes.
2. Do not over tighten screws and bolts to avoid stripping.
3. Please use hand tools to assemble this product. Do not use power tools.
4. Must need 2 people to assemble this product.

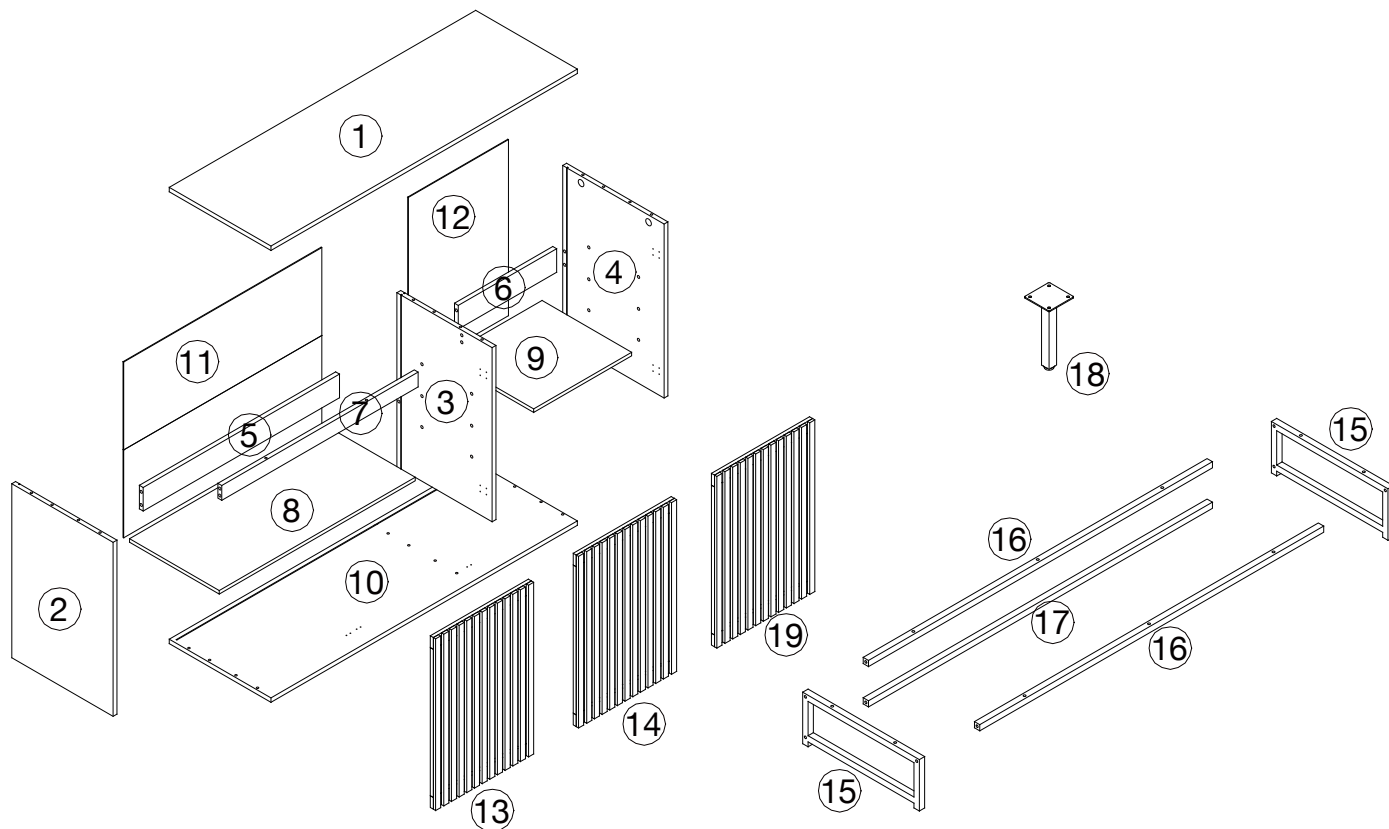


2 PERSONS

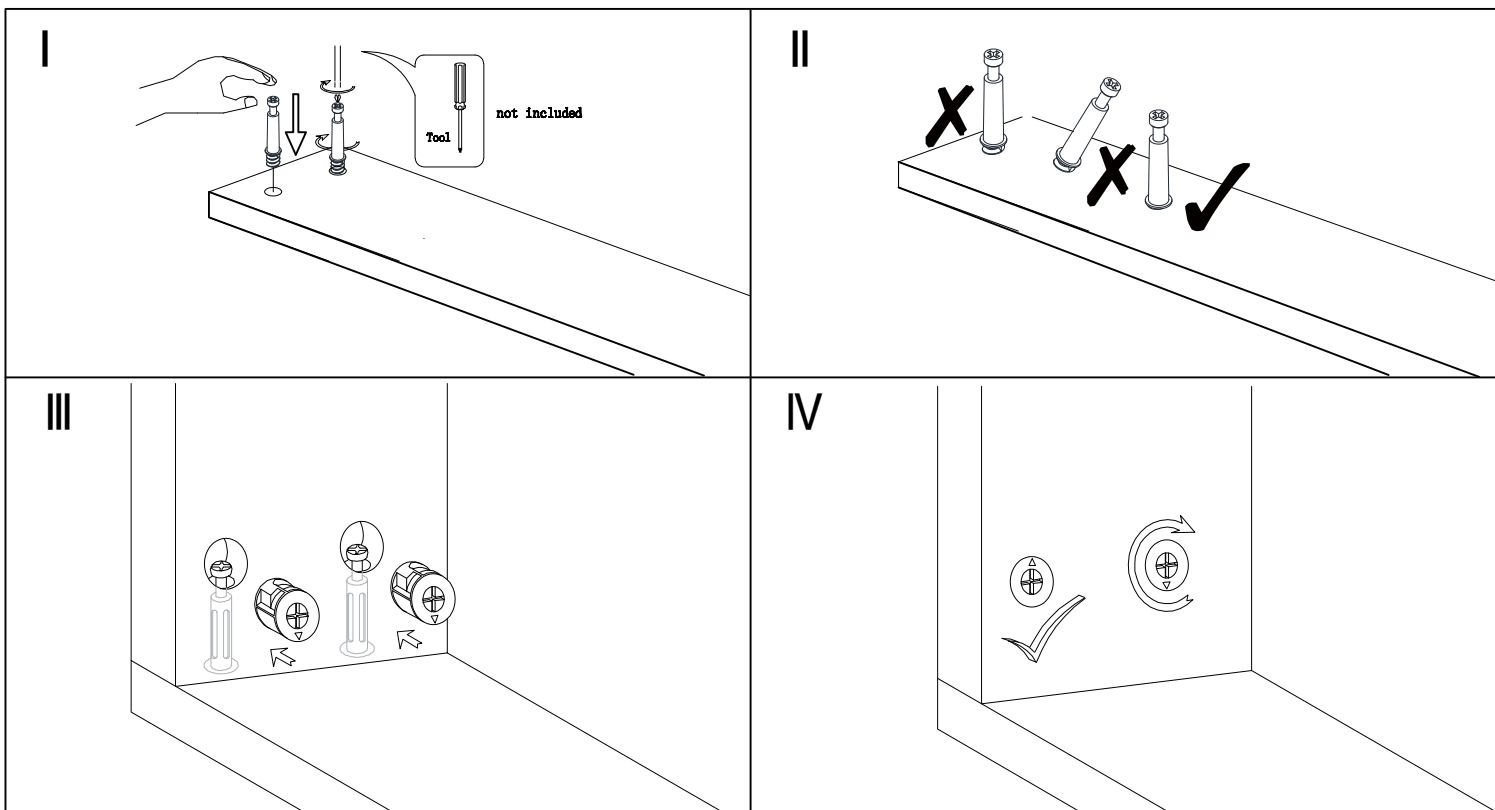
Included Accessories

Code	Description	Qty
1	Cabinet Top	1
2	Left Side Panel	1
3	Middle Side Panel	1
4	Right Side Panel	1
5	Left Back Stretcher	1
6	Right Back Stretcher	1
7	Top Stretcher	1
8	Left Shelf	1
9	Right Shelf	1
10	Bottom Panel	1
11	Left Back Panel	1
12	Right Back Panel	1
13	Left Door	1
14	Middle Door	1
15	Side Frame	2
16	Top Metal Stretcher	2
17	Bottom Metal Stretcher	1
18	Feet	1
19	Right Door	1

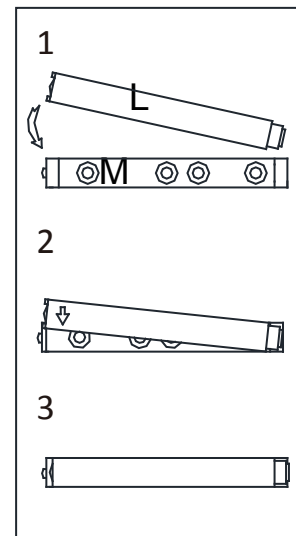
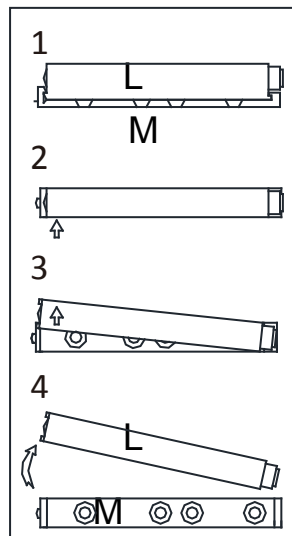
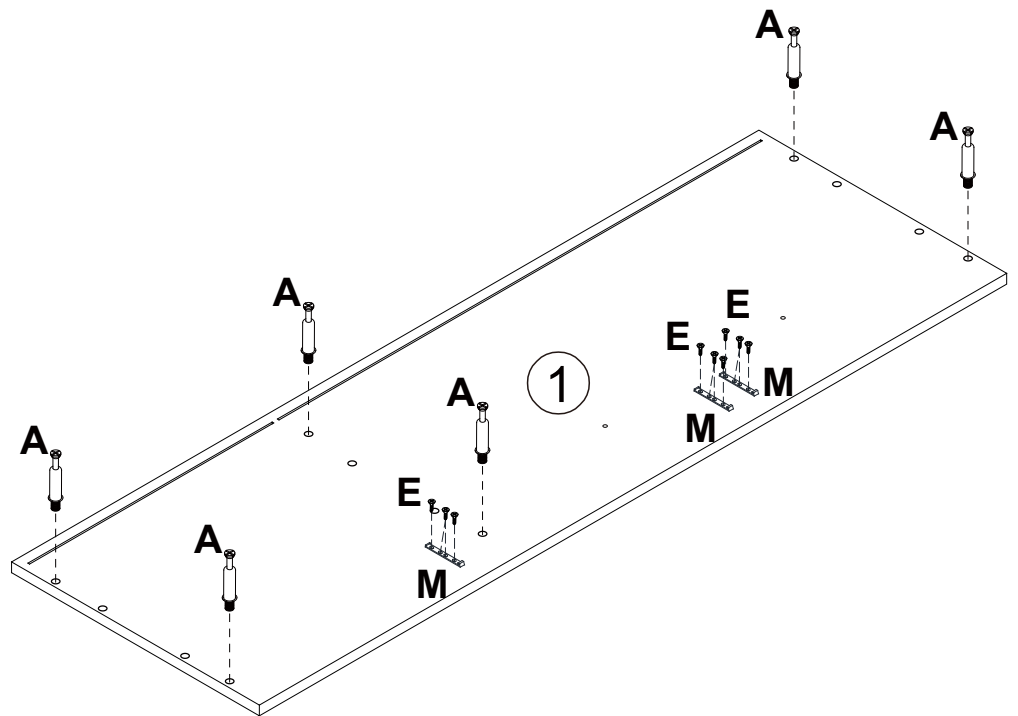
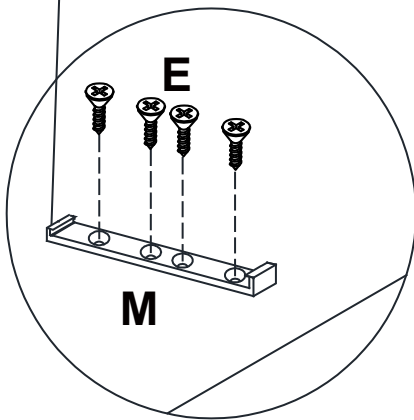
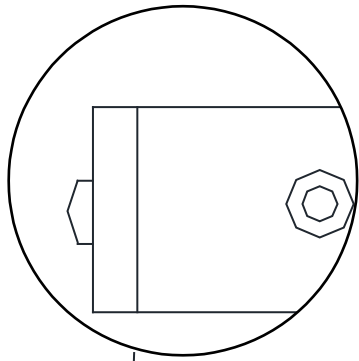
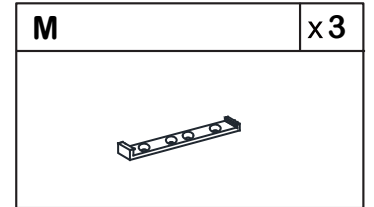
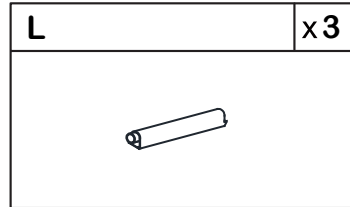
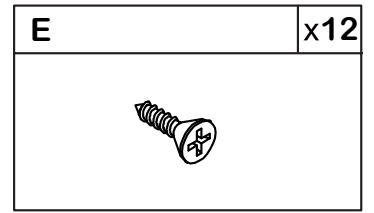
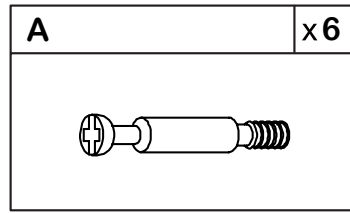
The Accessories



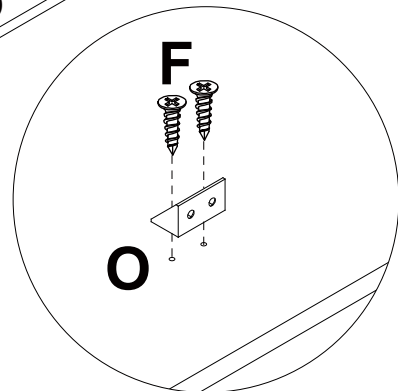
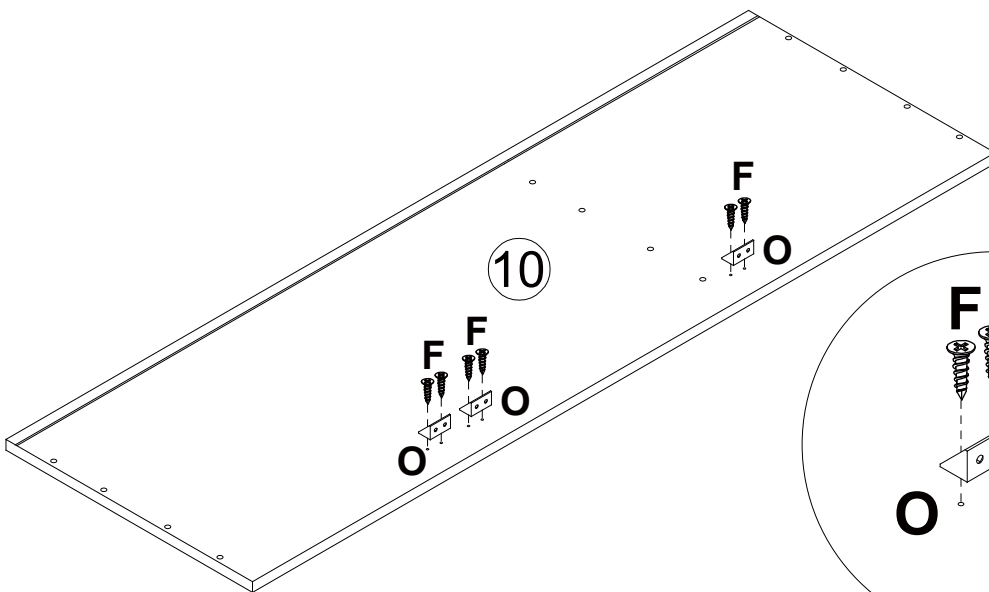
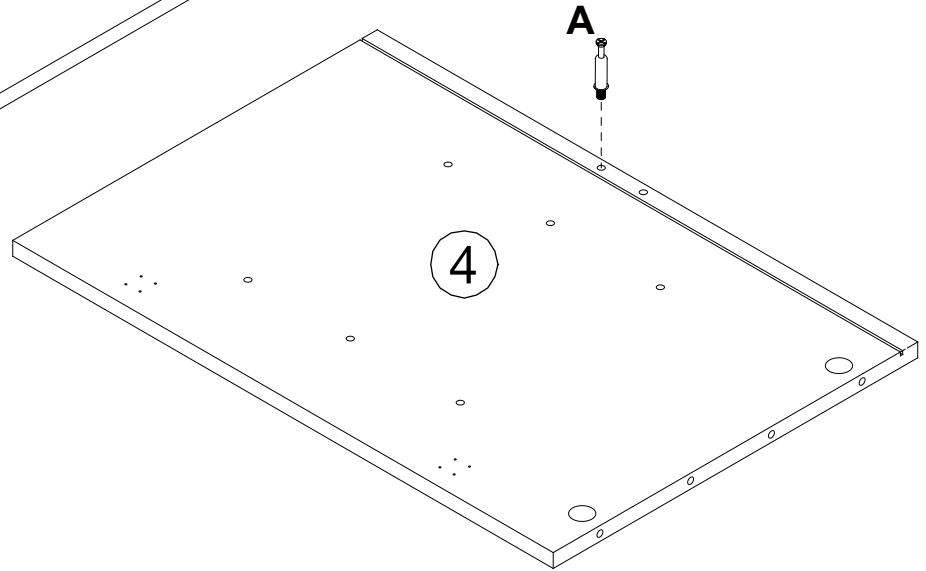
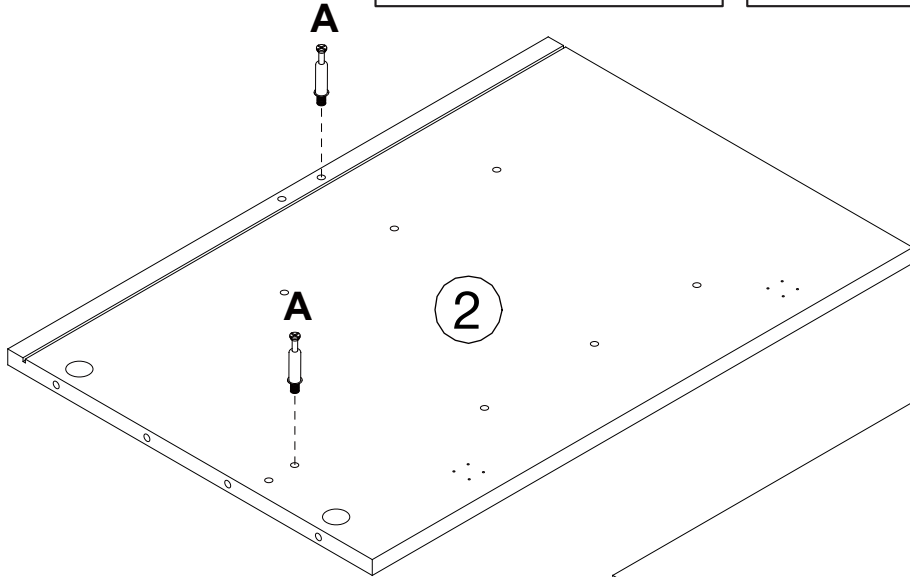
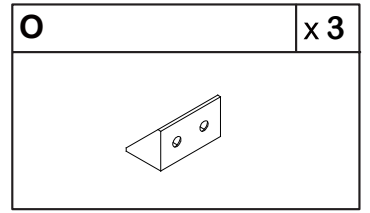
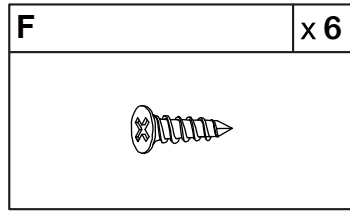
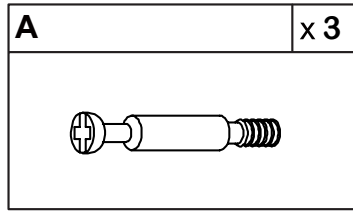
Noted :



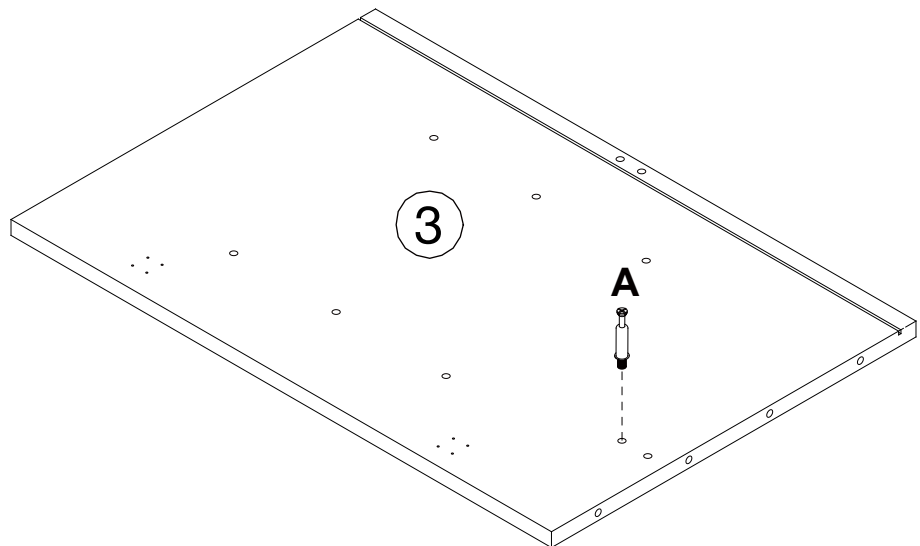
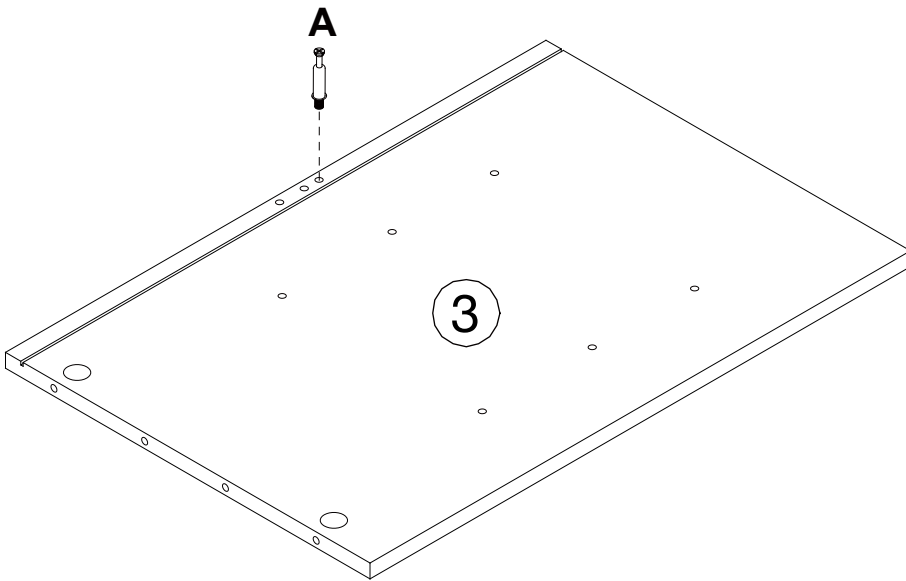
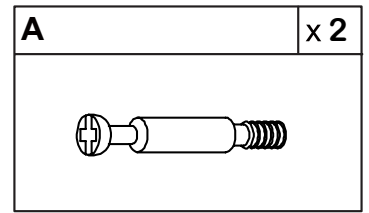
Step 1



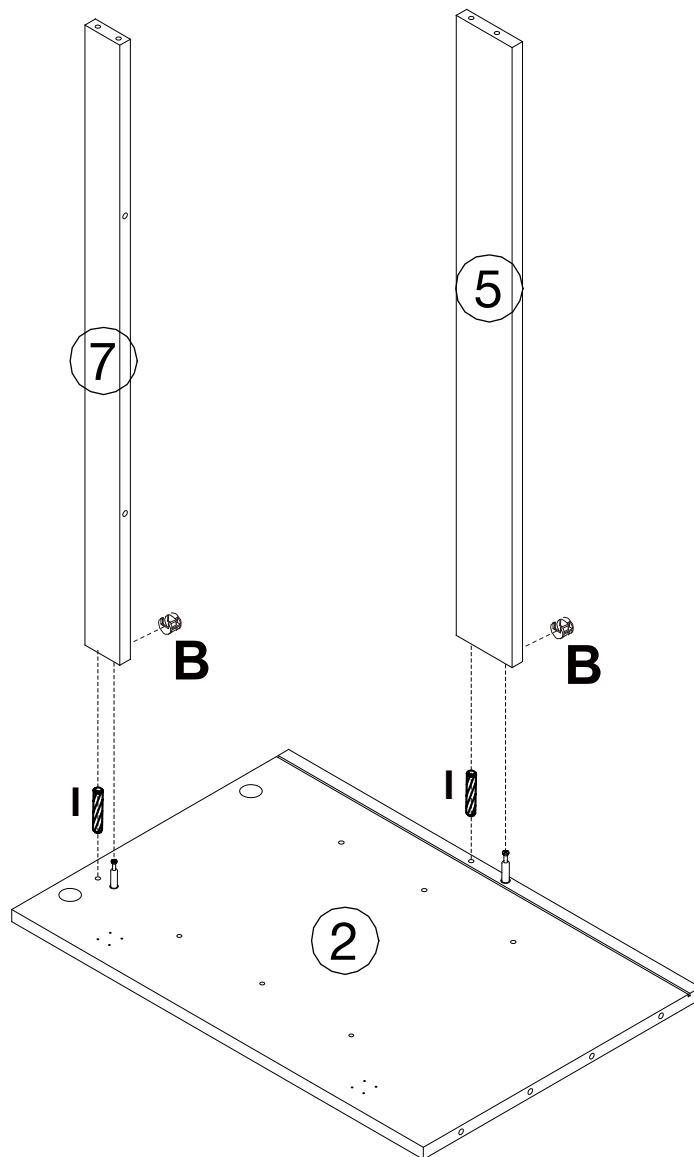
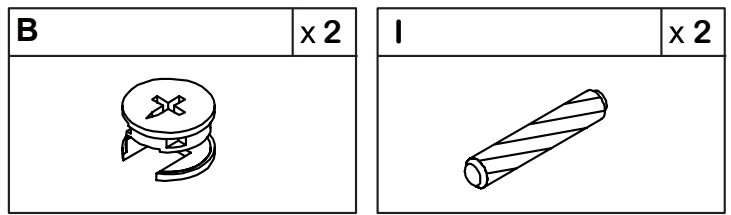
Step 2




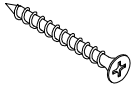
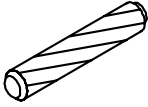
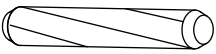
Step 3

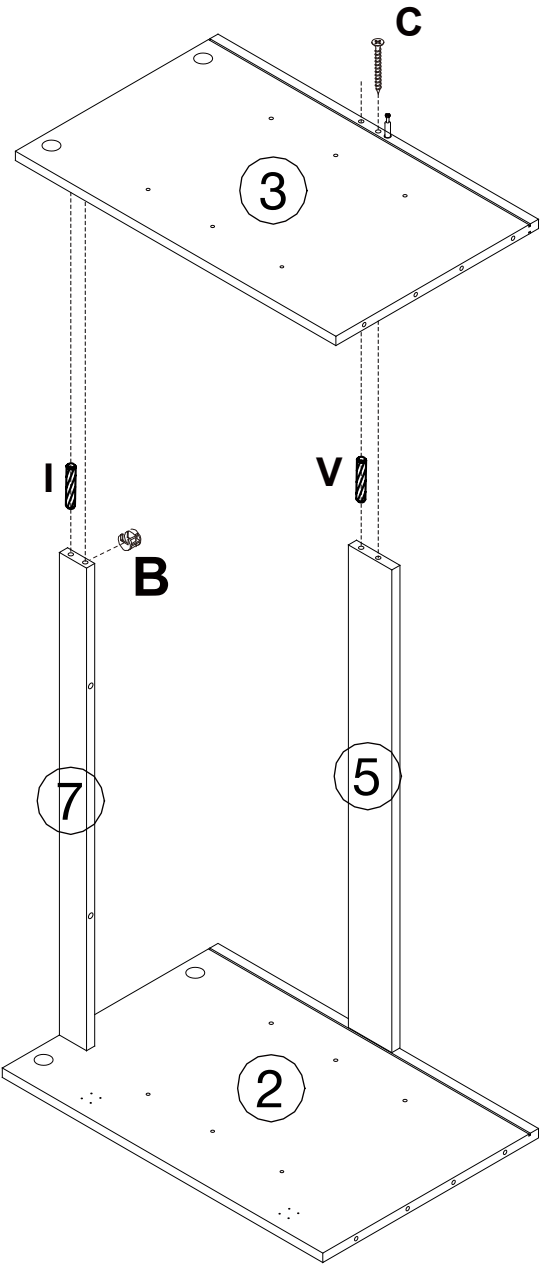


Step 4


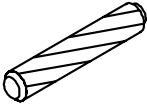


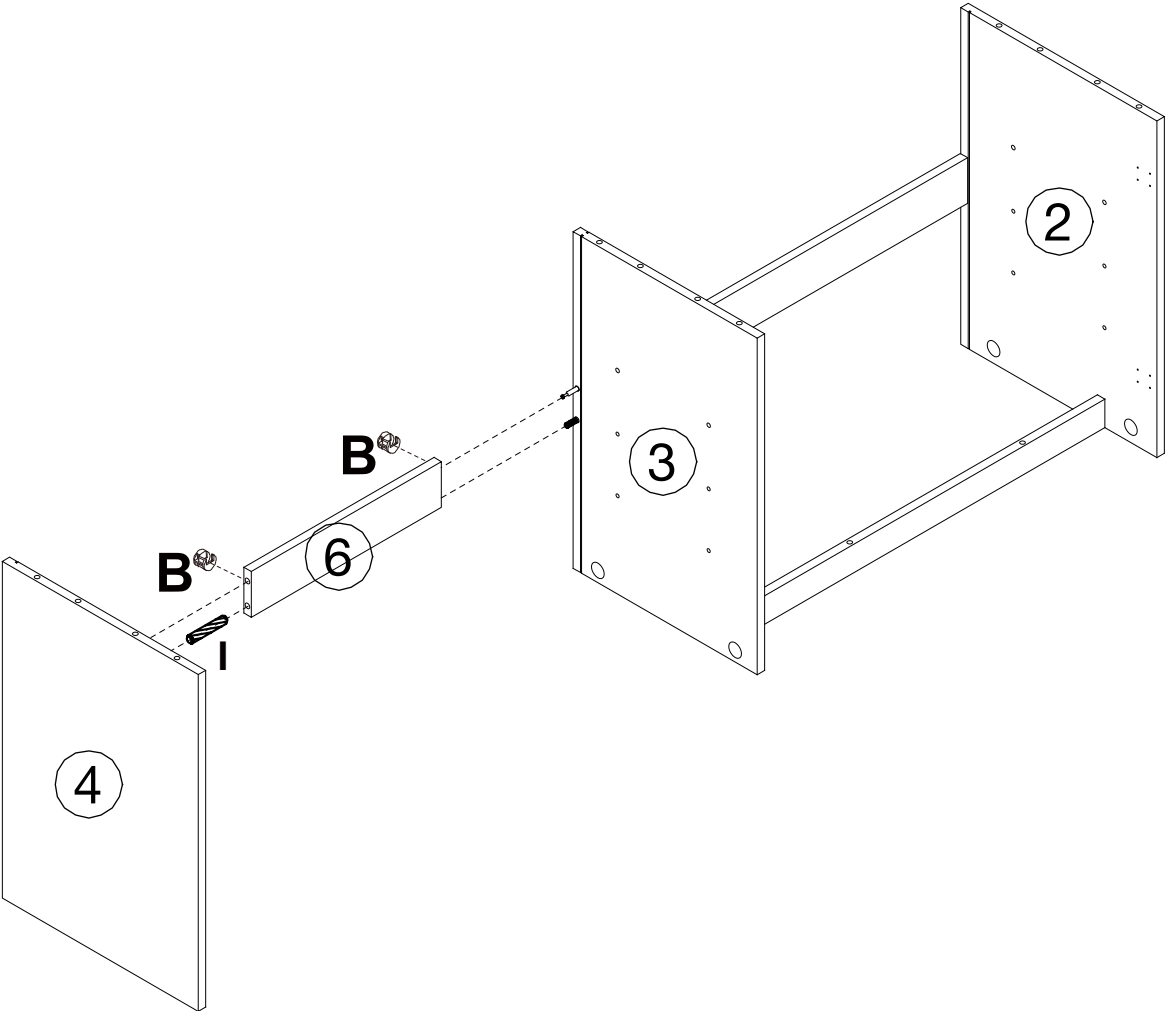
Step 5

B	x 1	C	x 1
			
I	x 1	V	x 1
			

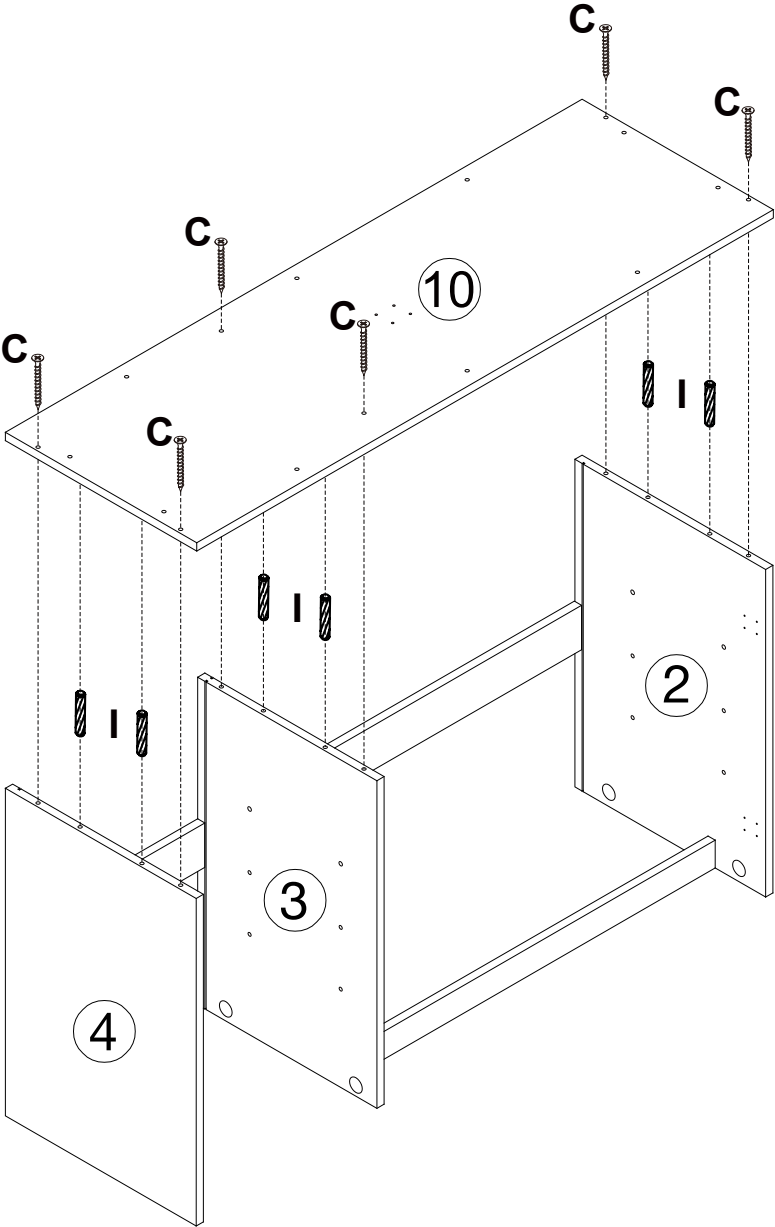
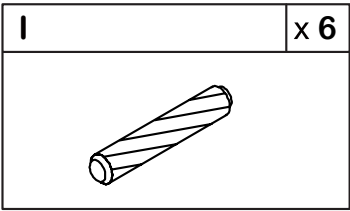
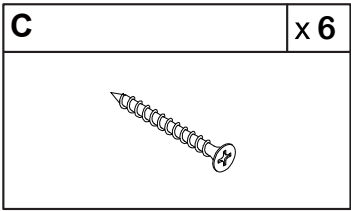


Step 6

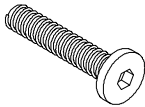
B	x 2	I	x 1
			




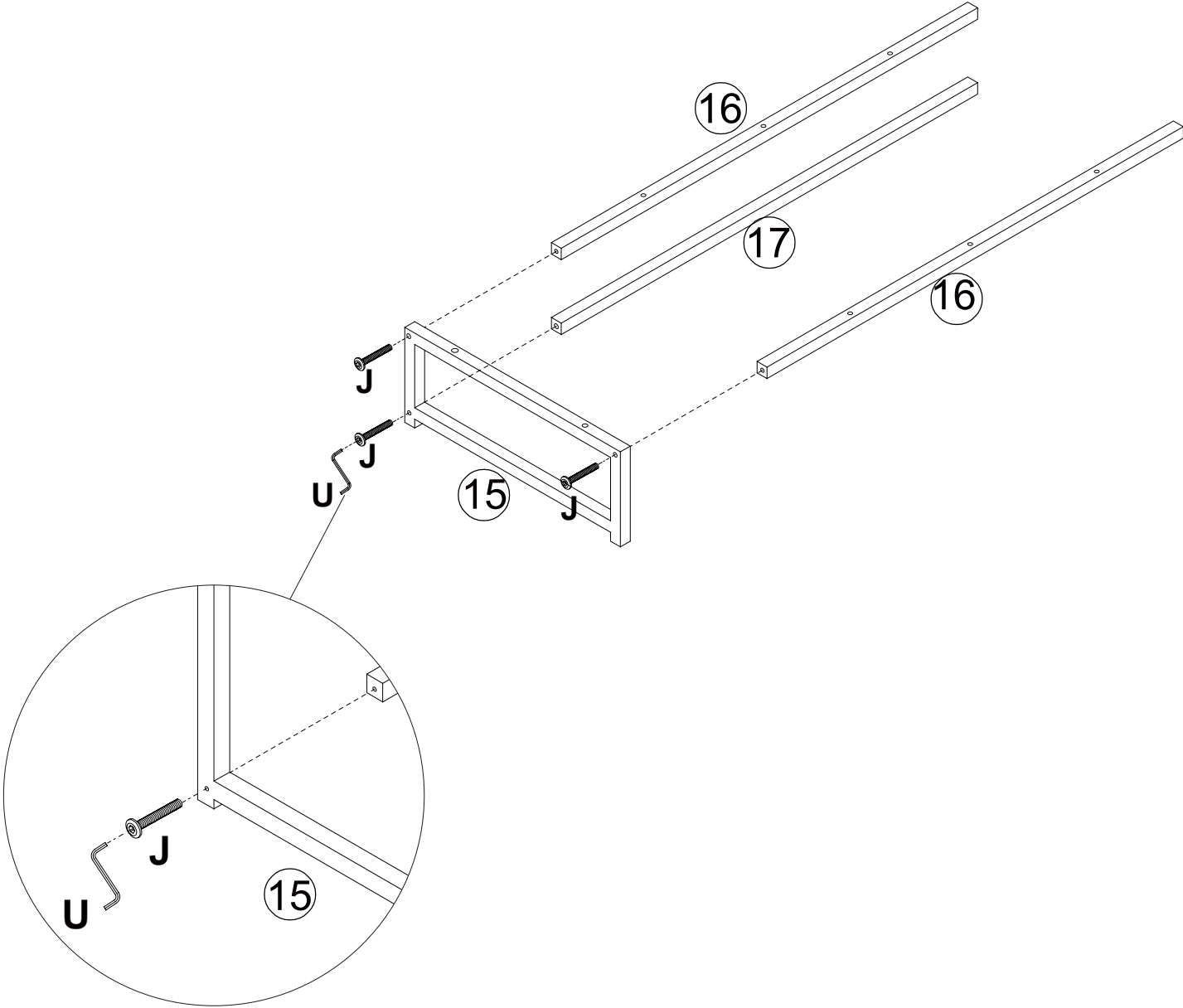
Step 7



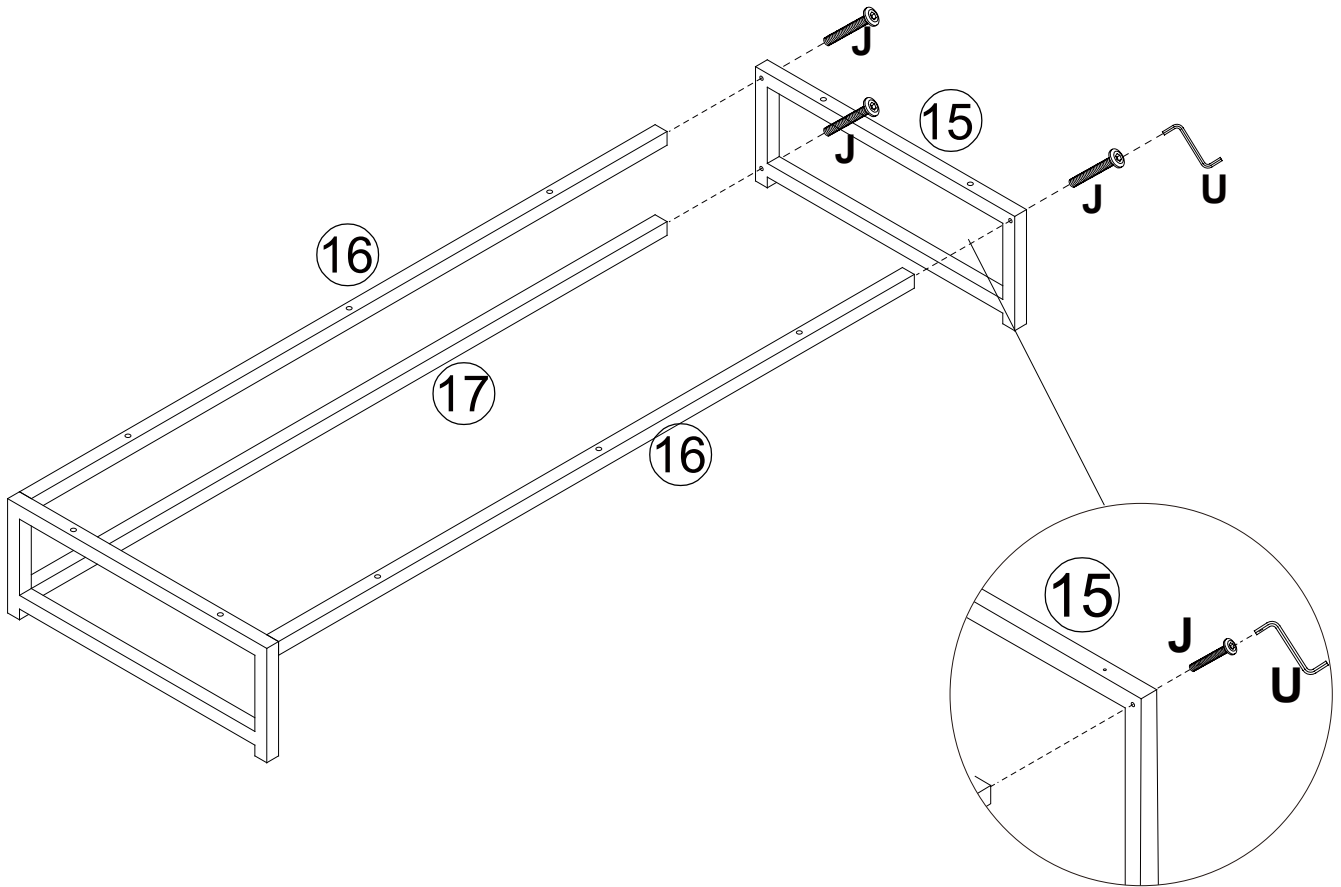
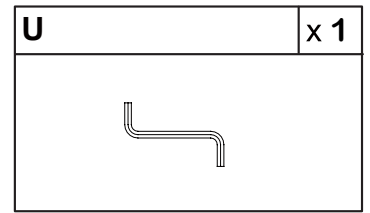
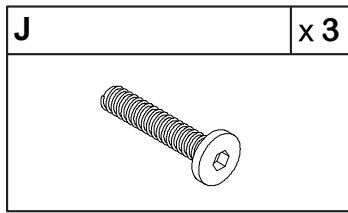
Step 8

J	x 3
	

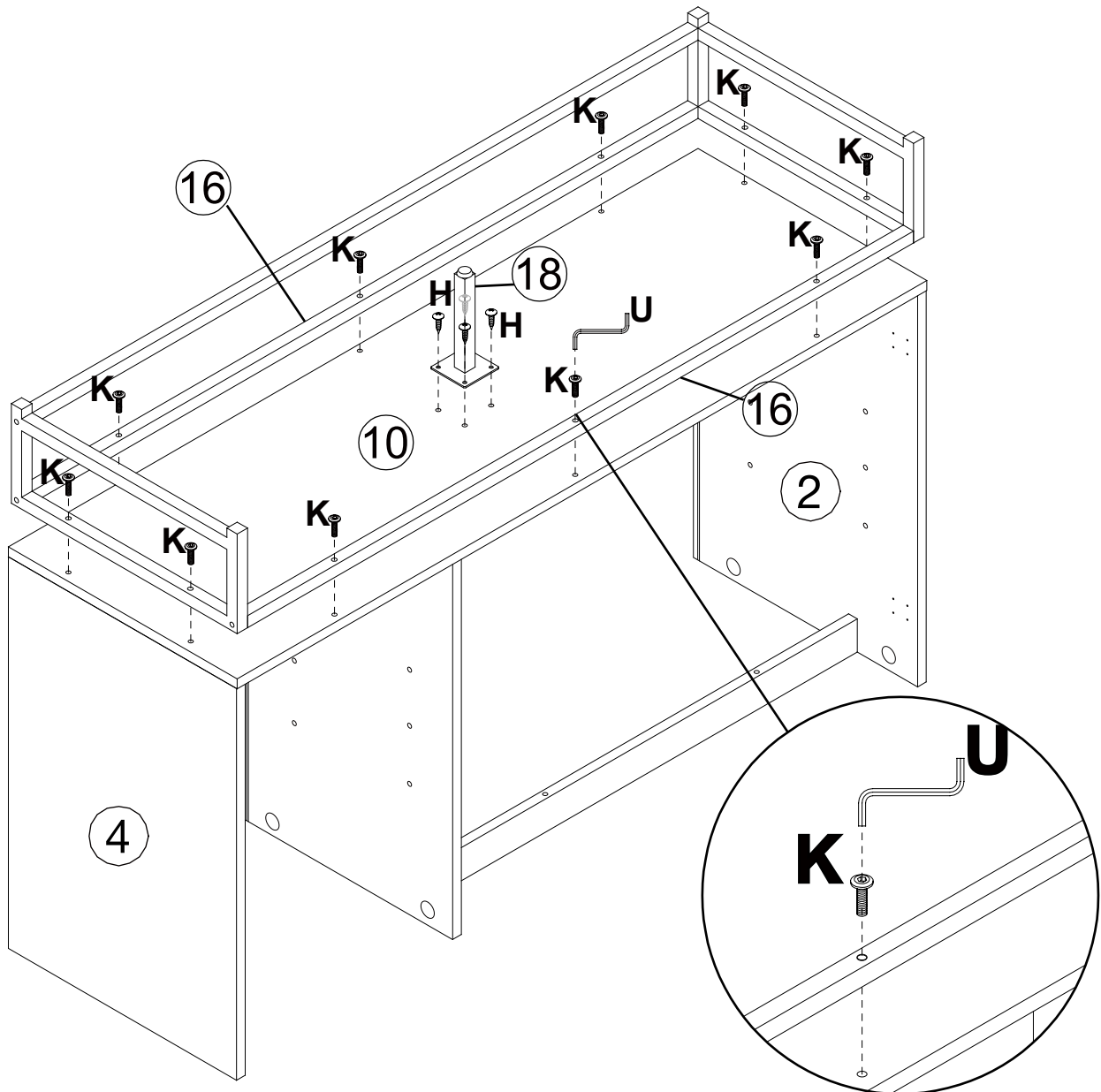
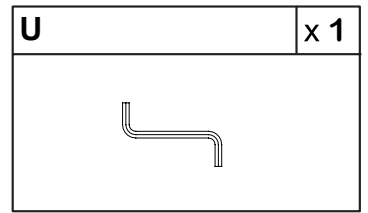
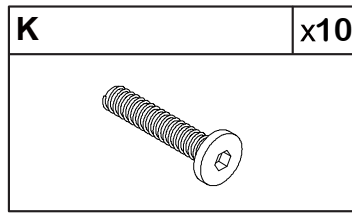
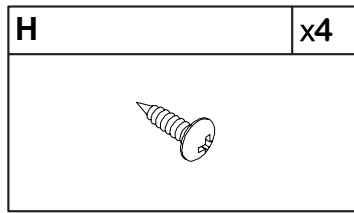
U	x 1
	



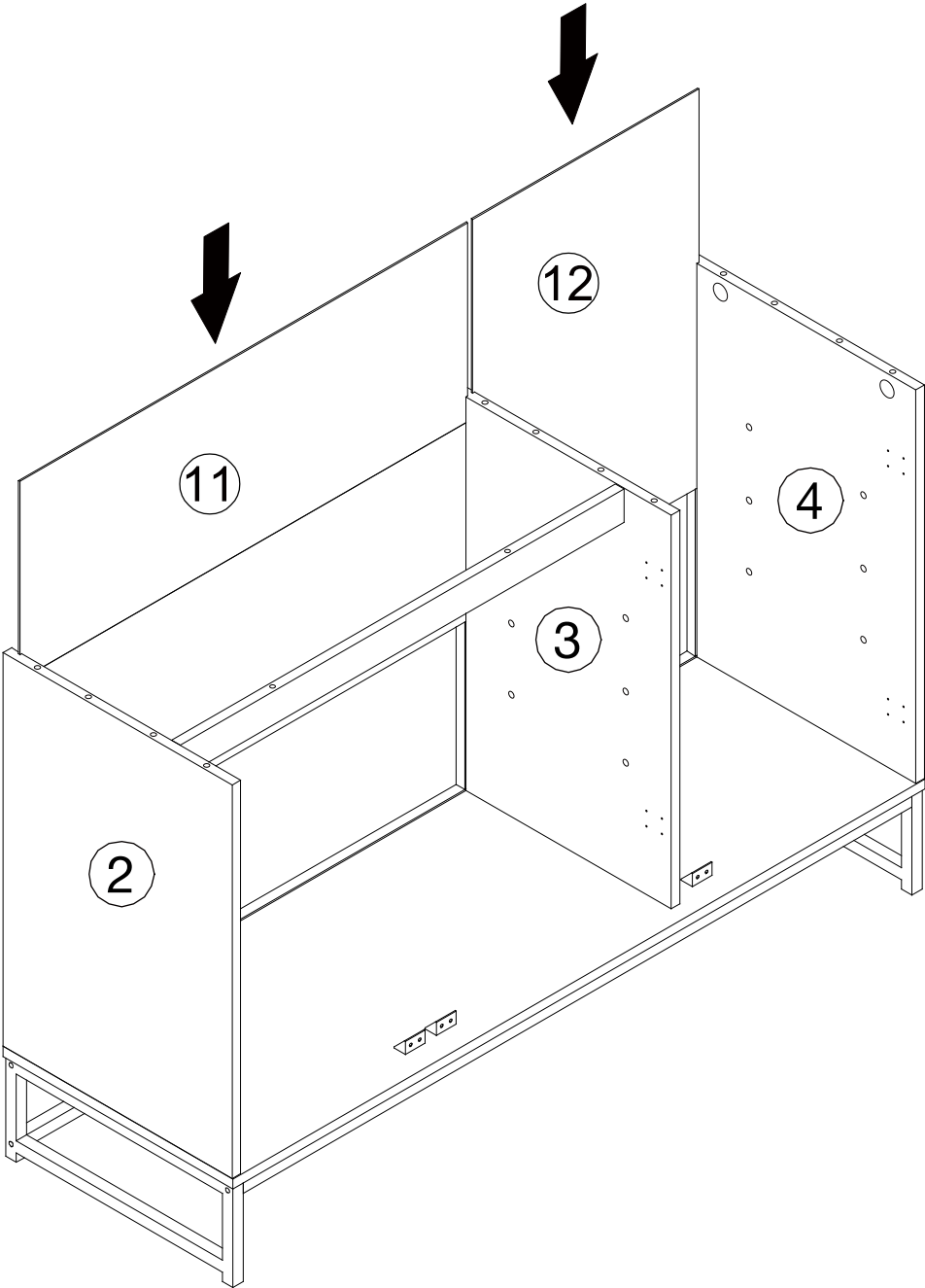
Step 9



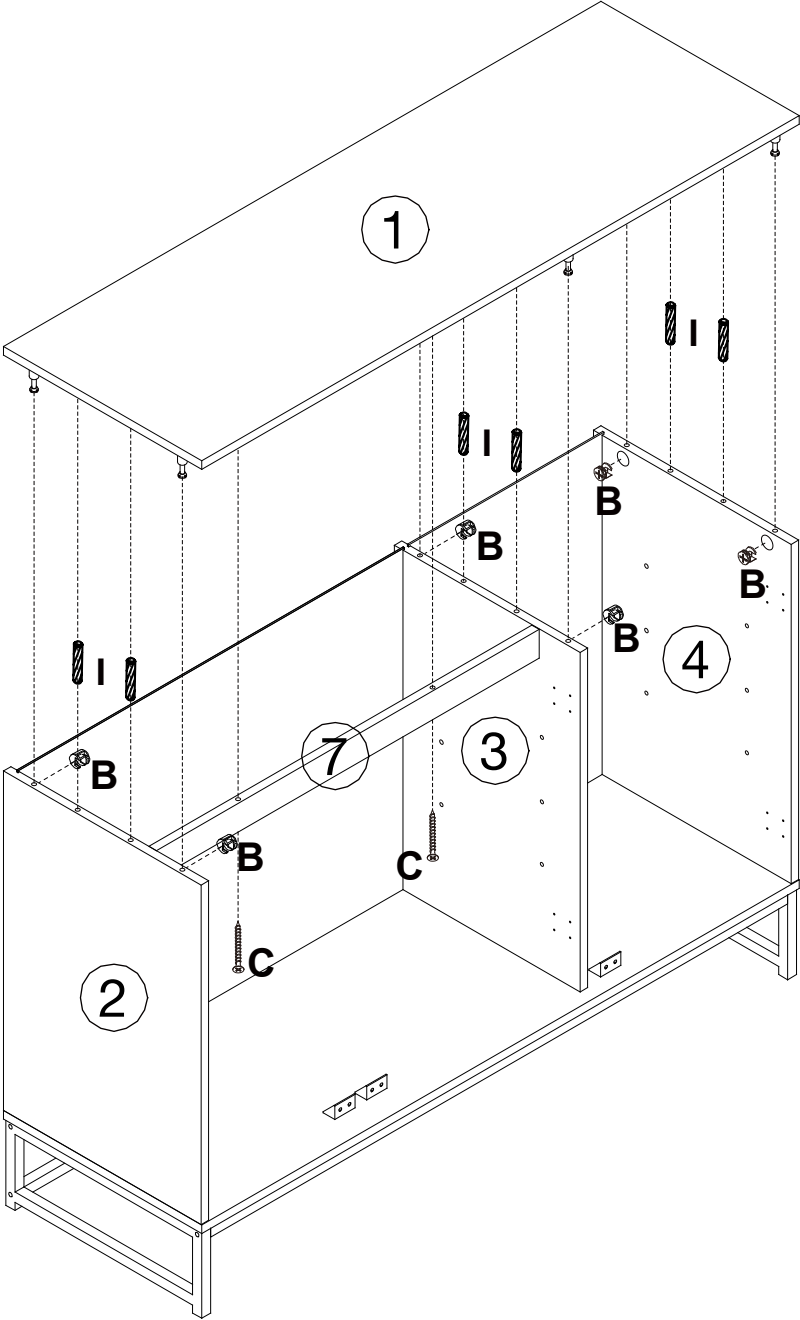
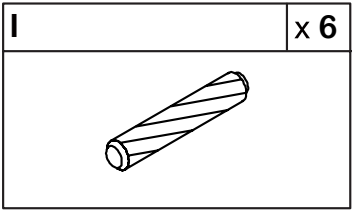
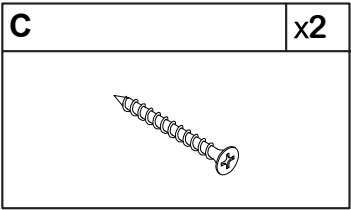
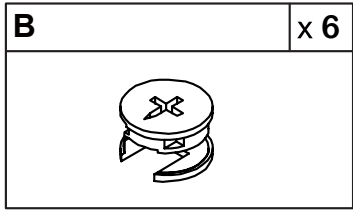
Step 10




Step 11




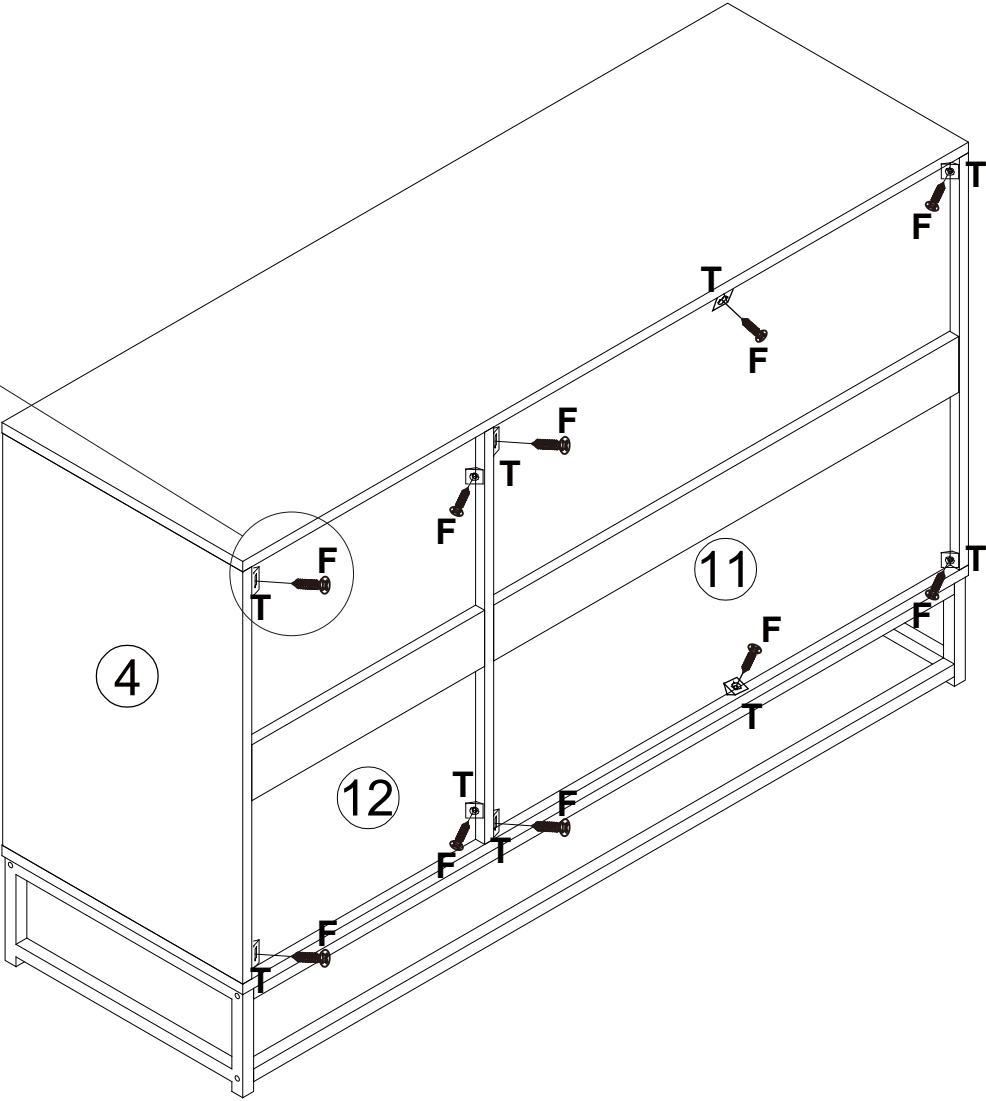
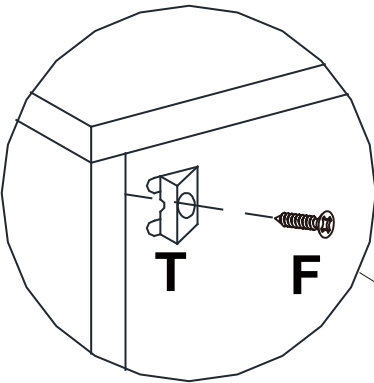
Step 12



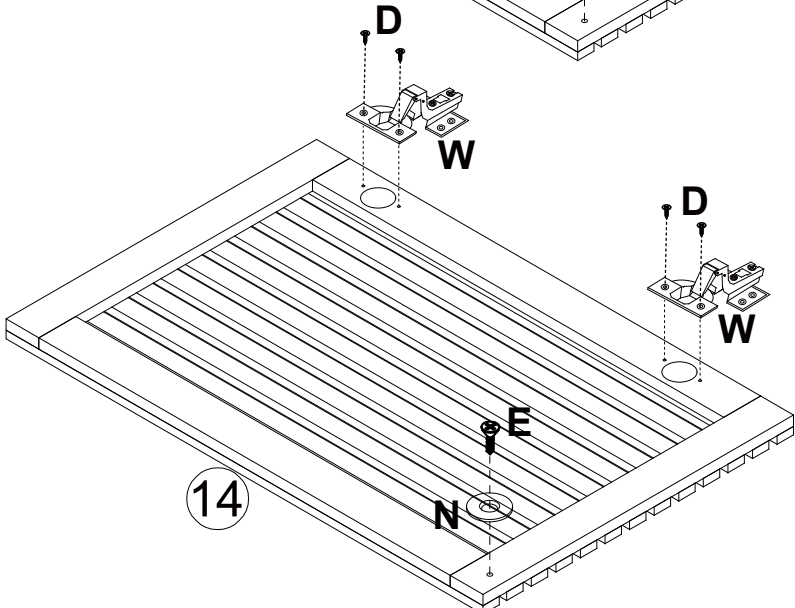
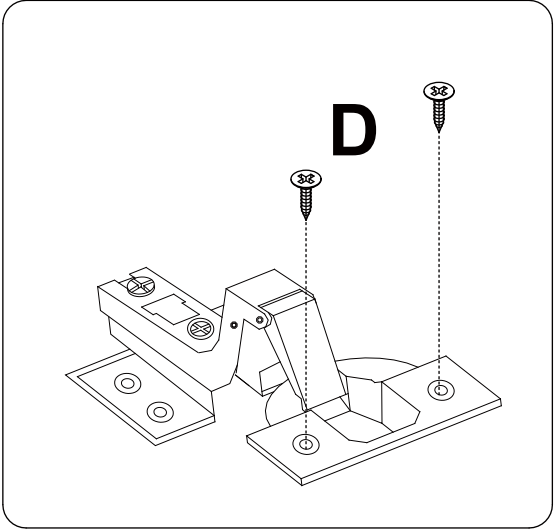
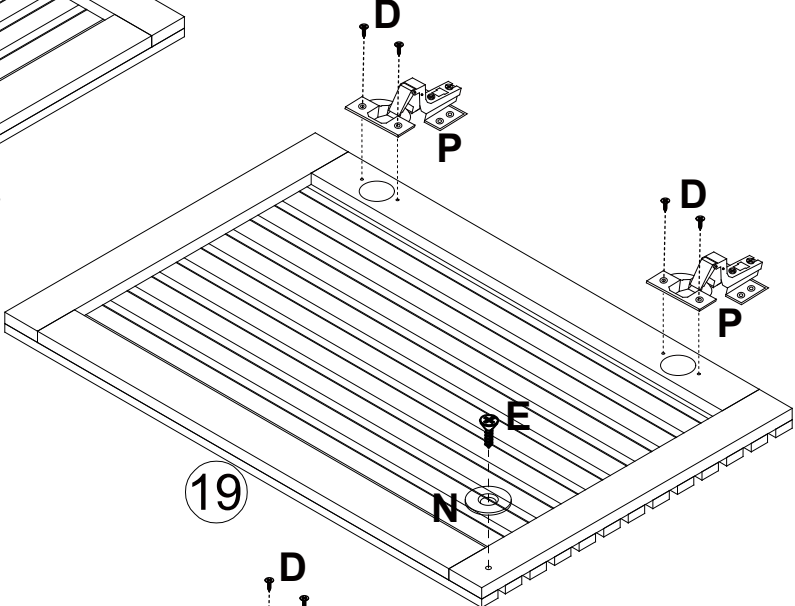
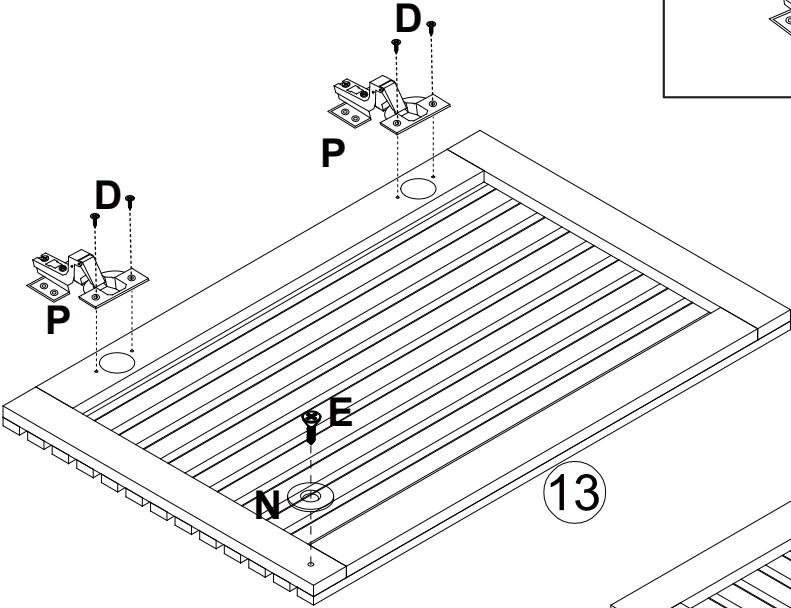
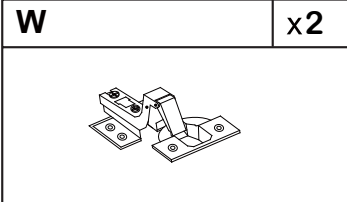
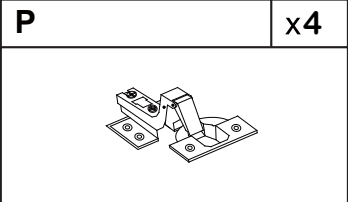
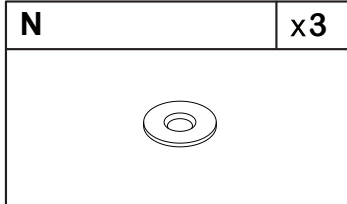
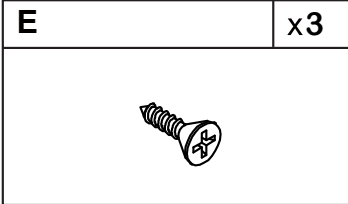
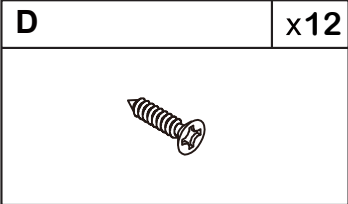
Step 13

F	x10
	


T	x10
	

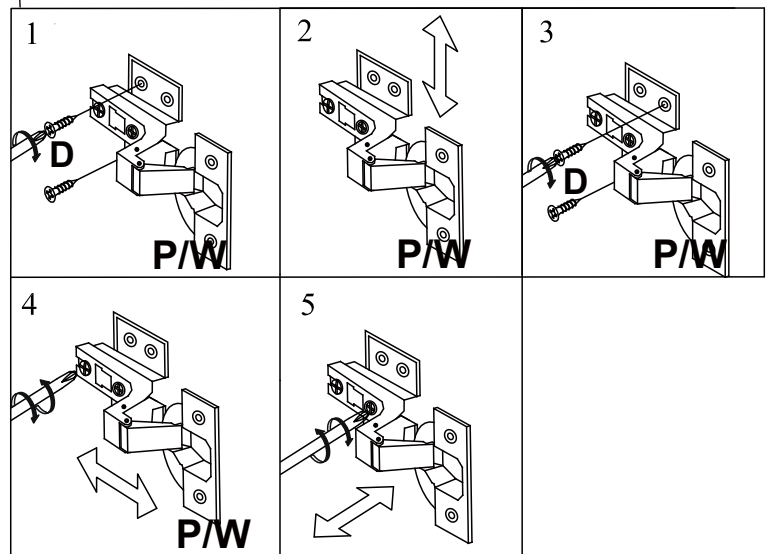
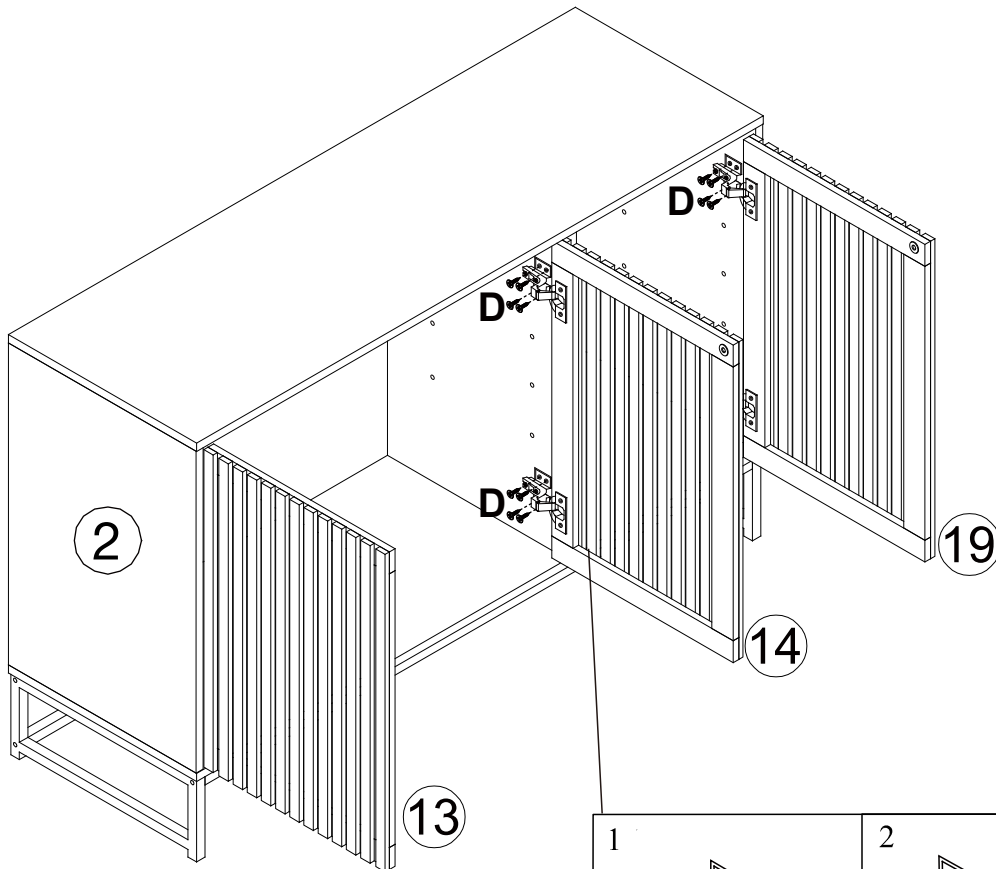


Step 14

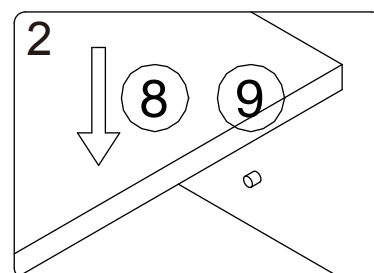
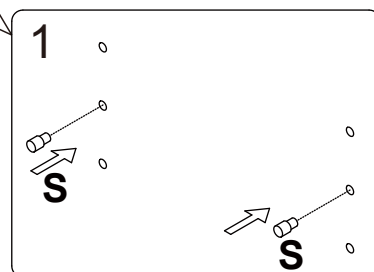
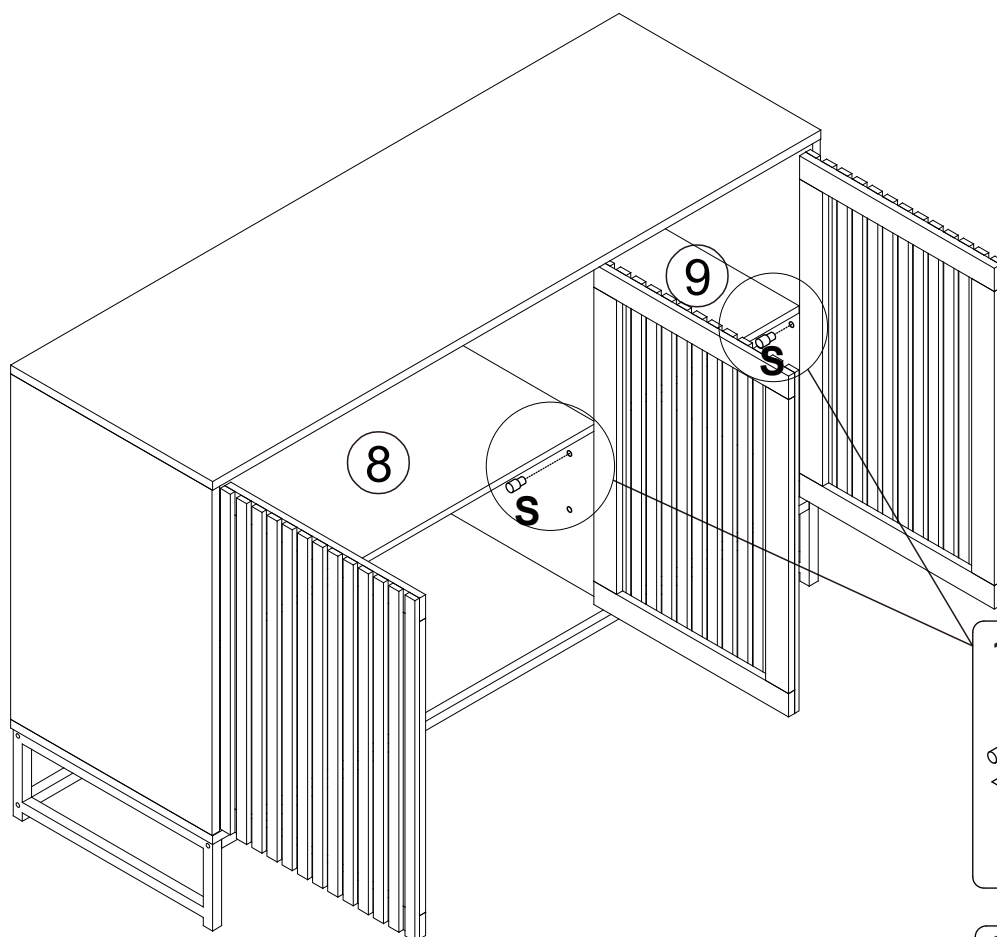
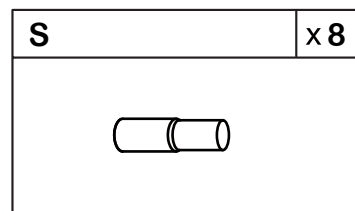


Step 15

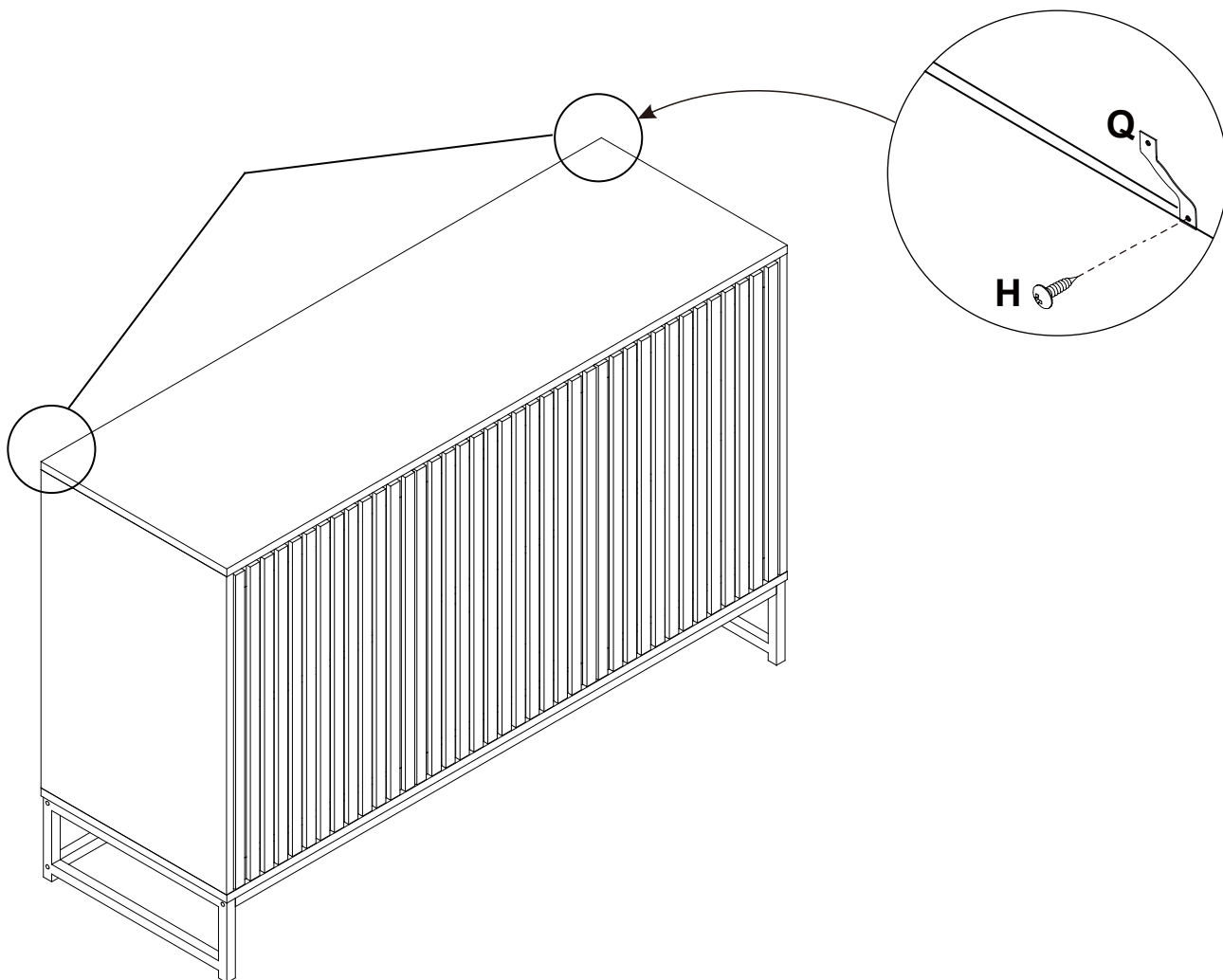
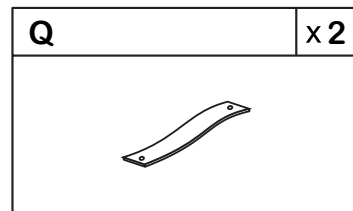
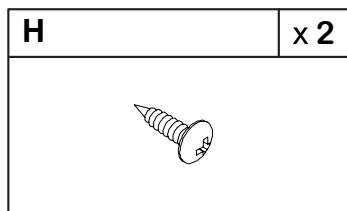
D	x24
	



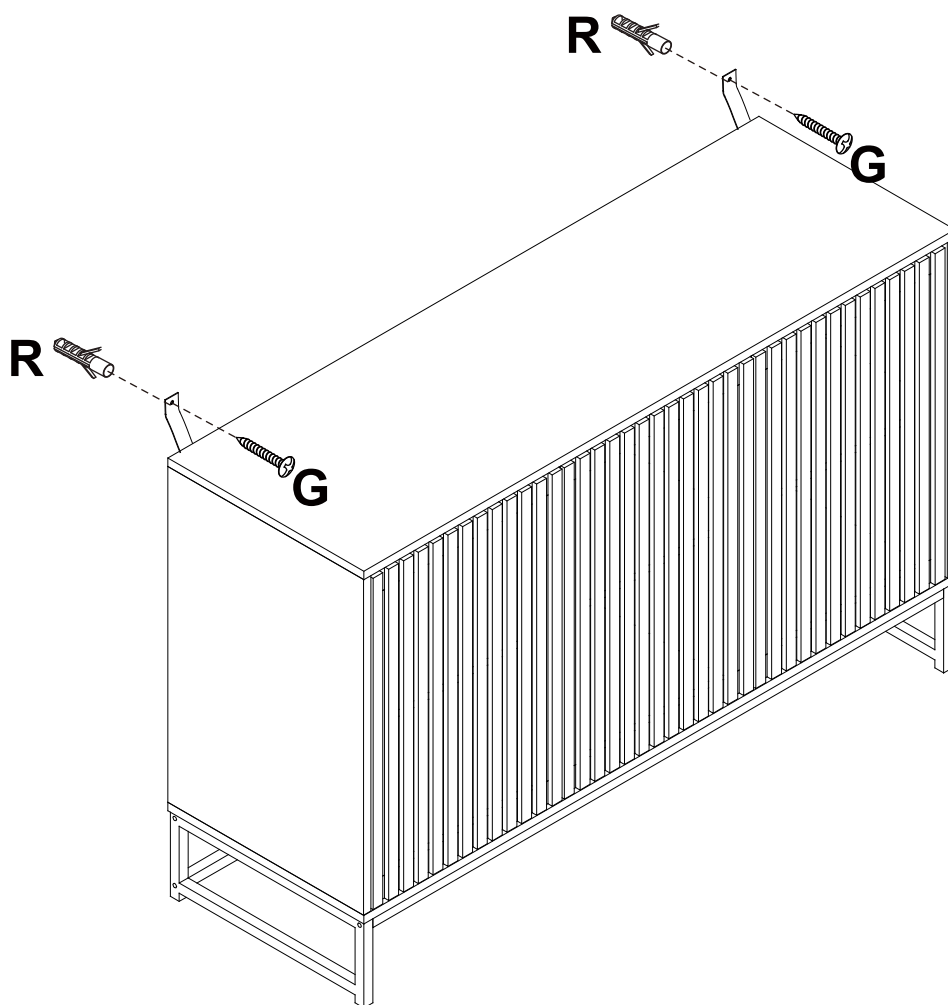
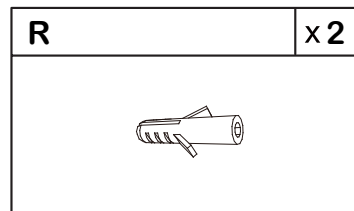
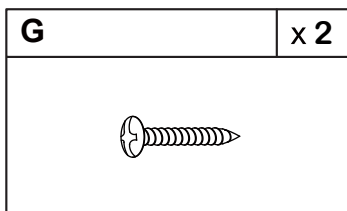
Step 16



Step 17



Step 18



Proper Use

- DO NOT** use for commercial purposes
- DO NOT** use as a step stool or stand on table
- DO NOT** put hot serving liquid directly on the table top
- DO NOT** leave spilled liquid on the table top
- DO NOT** use table if damaged
- DO NOT** exceed weight limit
- DO NOT** make temporary repairs
- DO NOT** use outdoor

Dear Customer:

Thank you for purchasing our product, we wish you satisfy our service, if you have any further questions or any quality issues, please show the belows number and don't hesitate to contact our Customer Service People :

W688202309