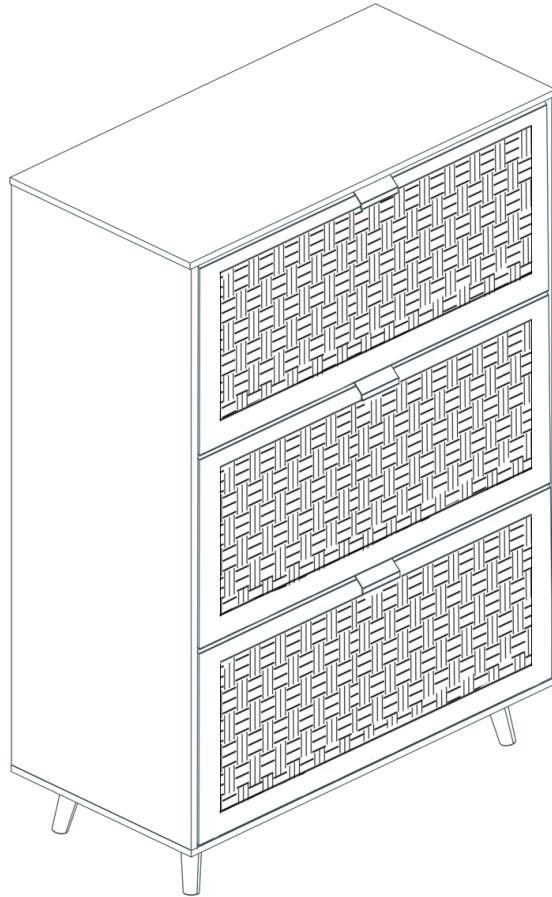


# Installation Instruction



Product name

---

## 3 Drawer Cabinet

Ver.1.0 20230204

# Assembling

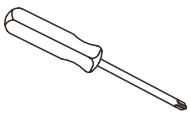
Estimated time for assembly



**30 : 00**

What you need

- Use the packaging carton as a working surface to prevent product damage during assembly
- Phillips head screwdriver



Weight Limitation



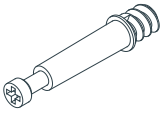
**40** | **22**  
lbs table top | lbs per drawer

# What's included

Code	Description	Qty
A	Cam Bolt M6X35MM	23
B	Cam Lock 15X10MM	23
C	Screw M4X35MM	20
D	Wooden Dowel M6X30MM	8
E	Screw M4X14MM	21
F	Metal Connector	1
G	Screw M3X14MM	4
H	Screw M3X12MM	36
I	Plastic corner support	4
J	Handle	3
K	Slide sets	3
L	Wall Plugs	1
M	Metal Pin	4
N	Screw M4X12MM	6

# The Hardwares

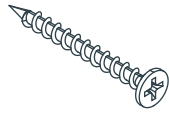
A



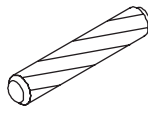
B



C



D



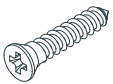
E



F



G



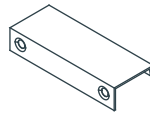
H



I



J



K

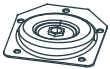


CL DL DR CR

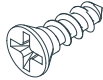
L



M



N

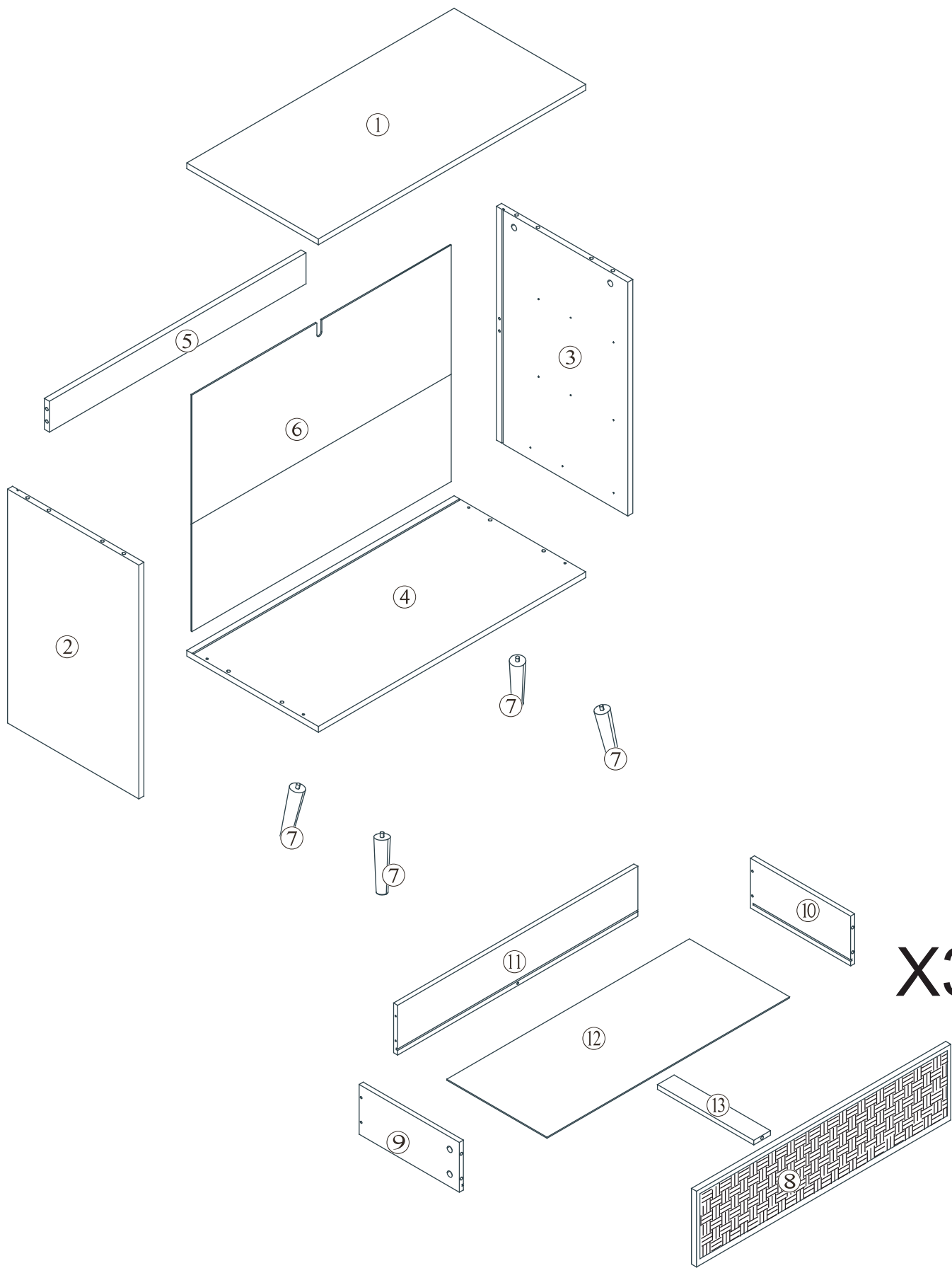


## IMPORTANT:

1. Do not tighten bolts / screws completely until all bolts / screws are lined up and inserted into holes.
2. Do not over tighten screws and bolts to avoid stripping.
3. Please use hand tools to assemble this product. Do not use power tools.

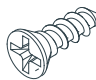
# Included Accessories


Code	Description	Qty
1	Cabinet Top	1
2	Left Side Panel	1
3	Right Side Panel	1
4	Bottom Panel	1
5	Back Stretcher	1
6	Back Panel	1
7	Leg	4
8	Drawer front Panel	3
9	Drawer Left Side Panel	3
10	Drawer Right Side Panel	3
11	Drawer Back Panel	3
12	Drawer Bottom Panel	3
13	Drawer Central Stretcher	3

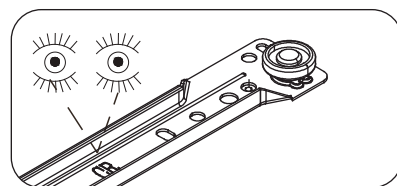
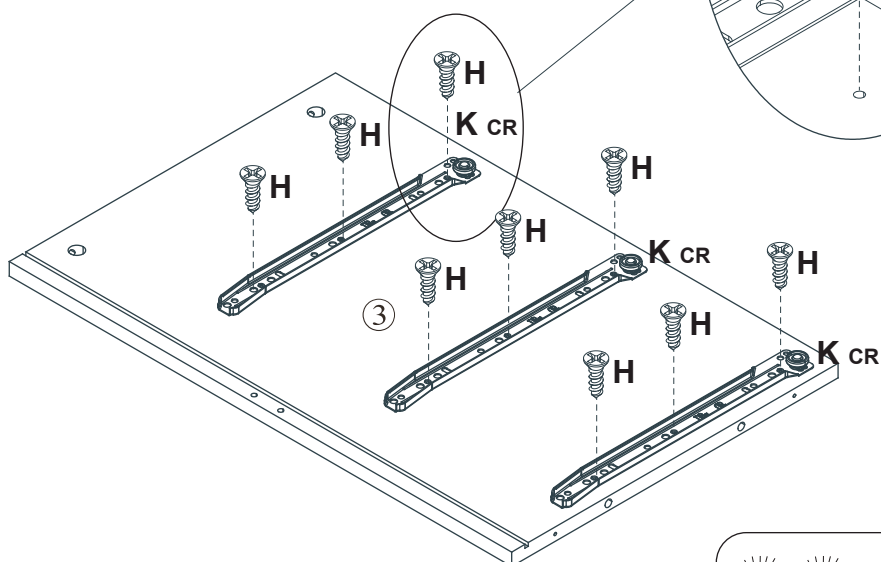
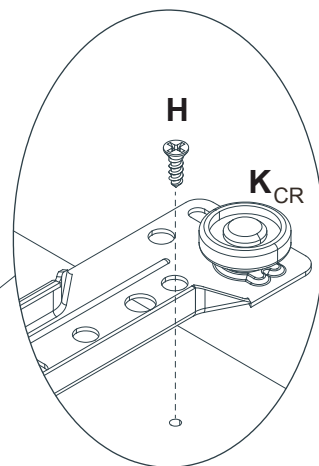
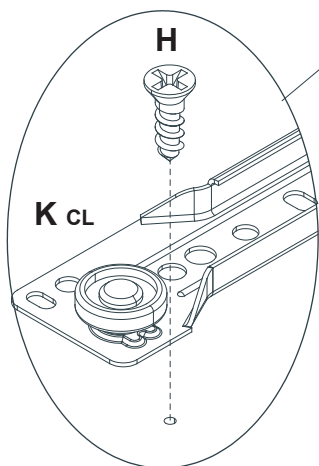
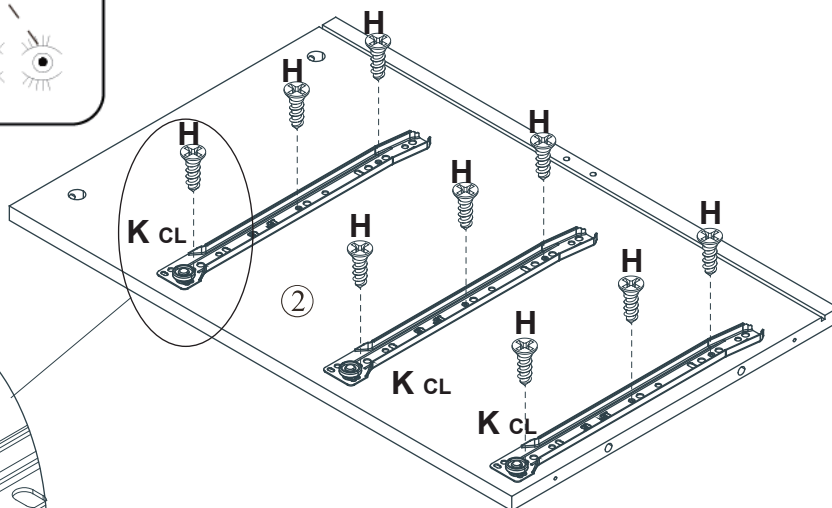
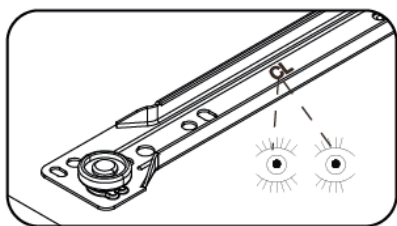


X3

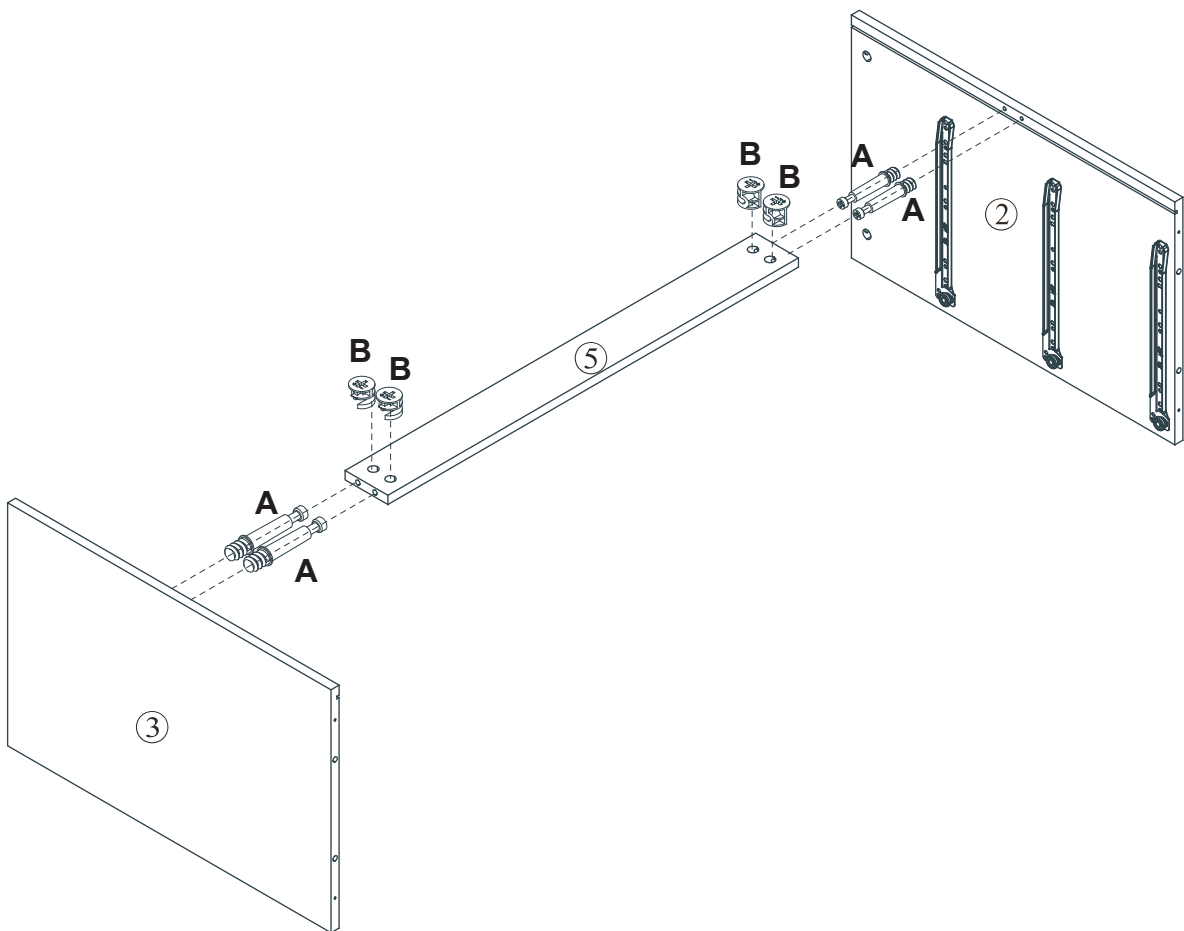
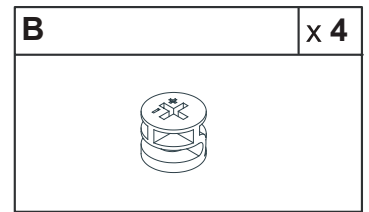
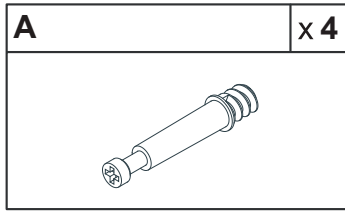
# Step 1

<b>H</b>	<b>x18</b>
	

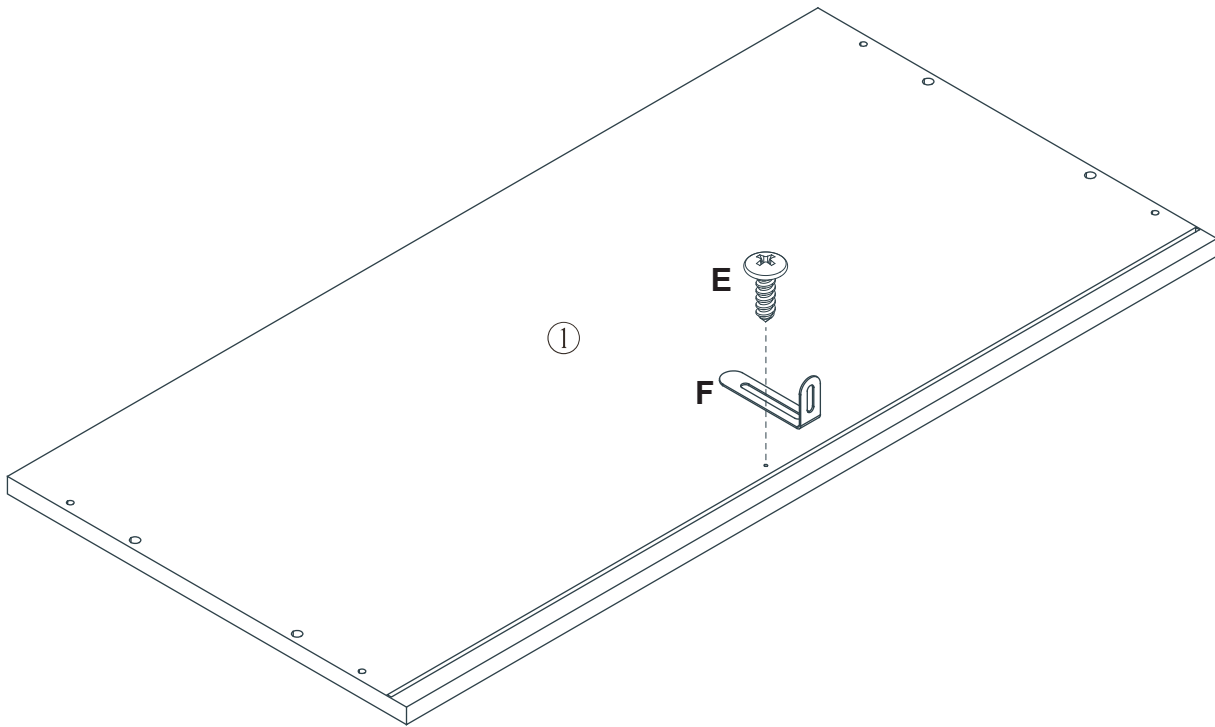
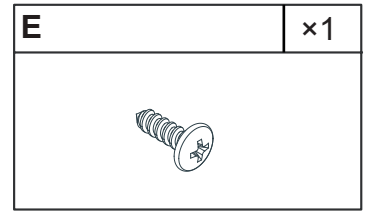
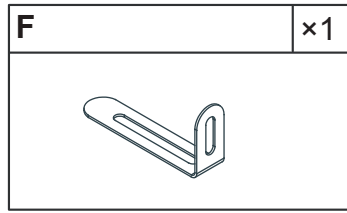
<b>K</b>	<b>x3</b>
	
<b>CL DL DR CR</b>	



# Step 2

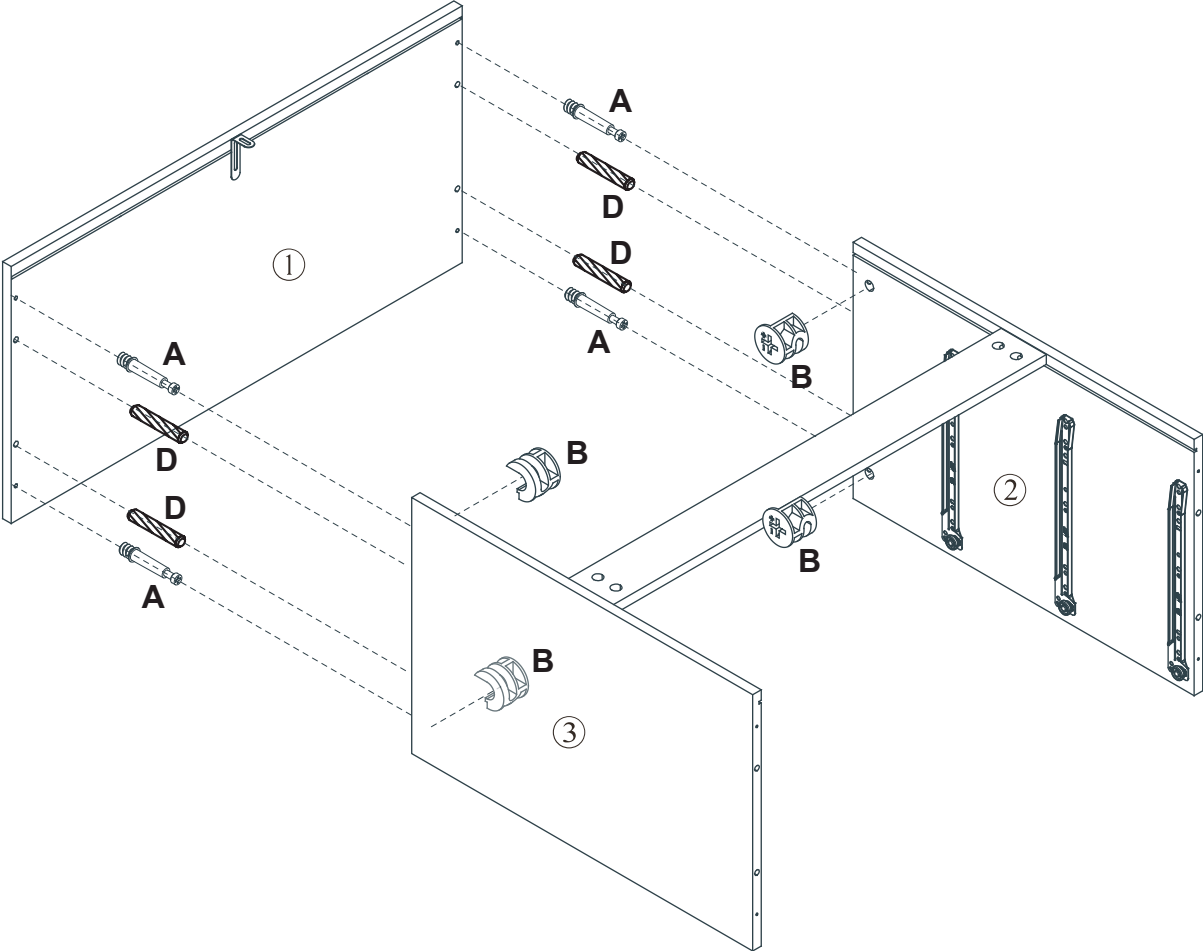
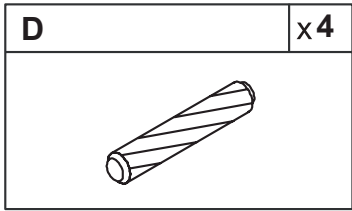
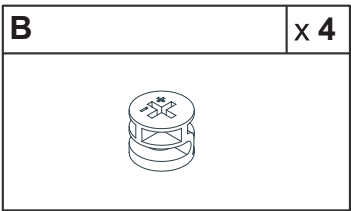
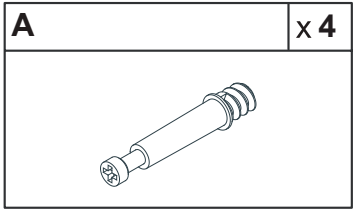


# Step 3

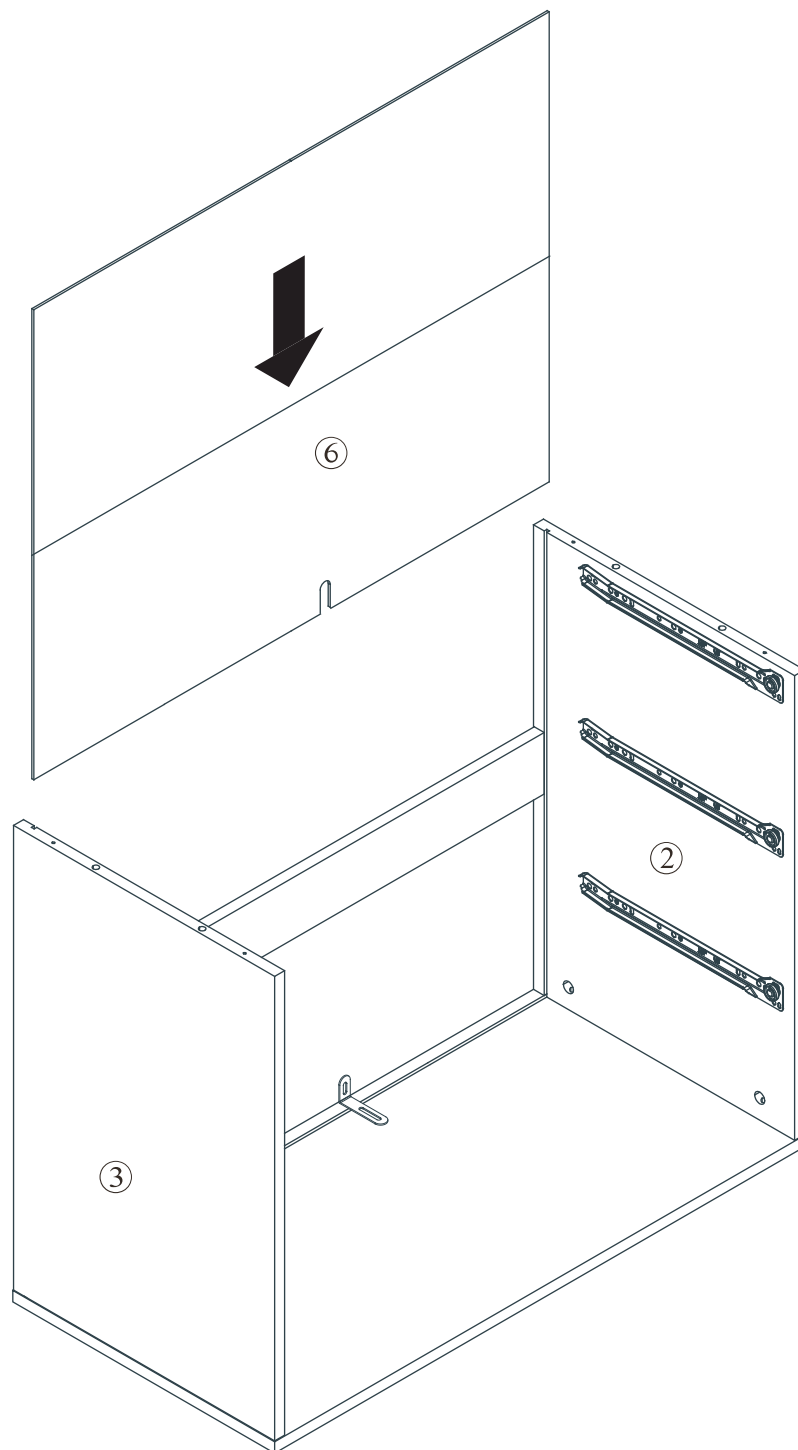




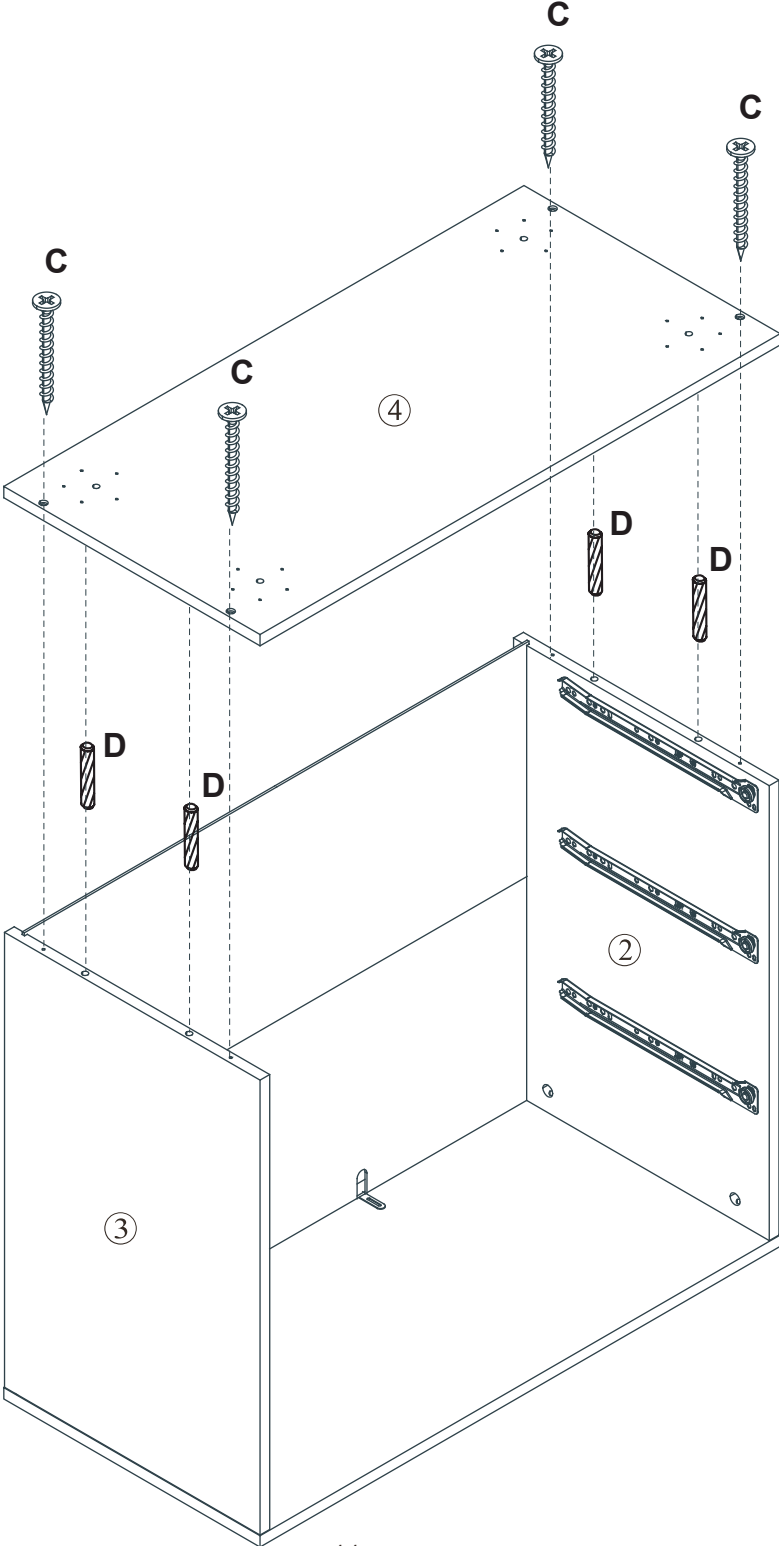
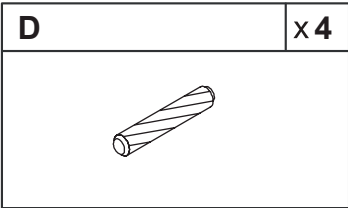
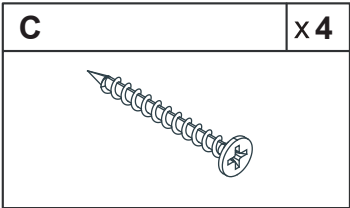
# Step 4



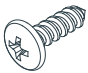
# Step 5

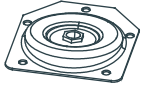


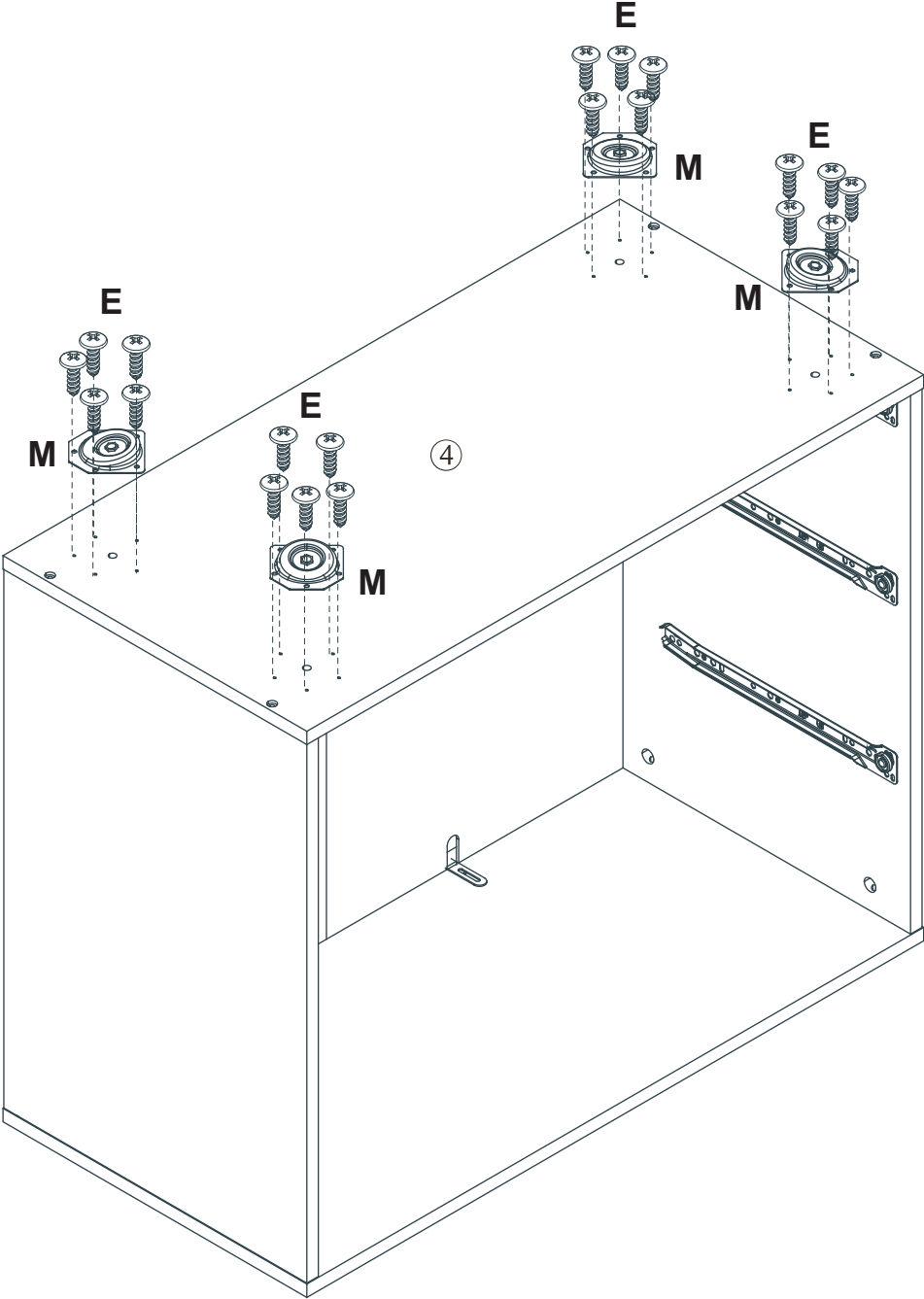
# Step 6



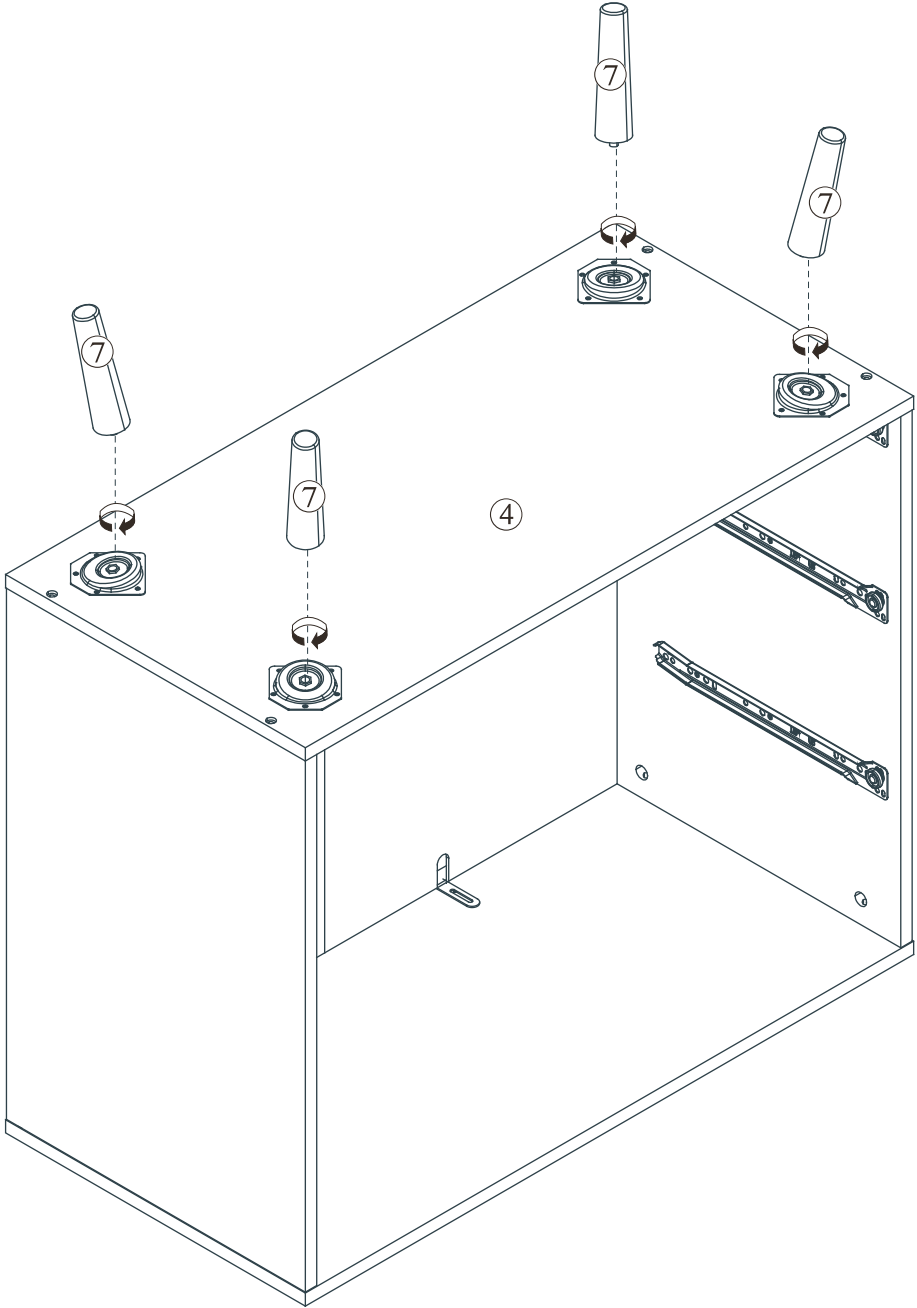
# Step 7

<b>E</b>	<b>x20</b>
	

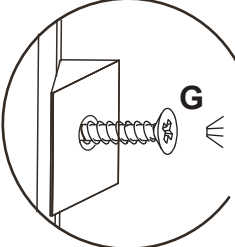
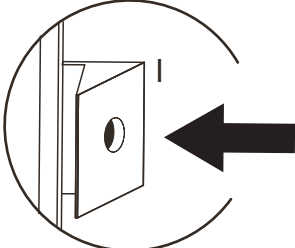
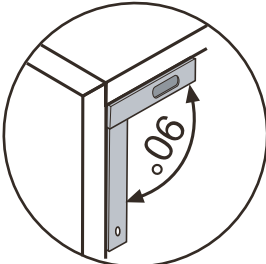
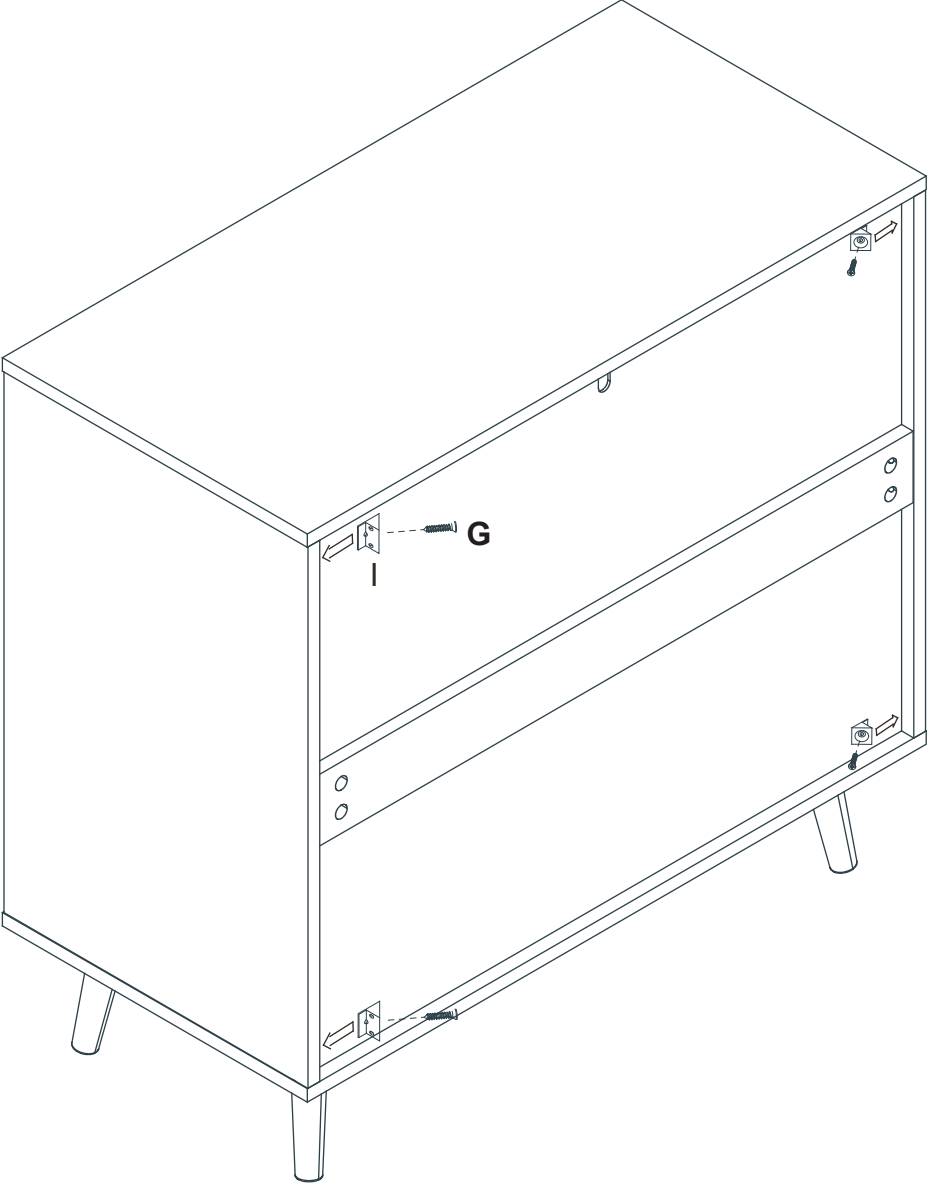
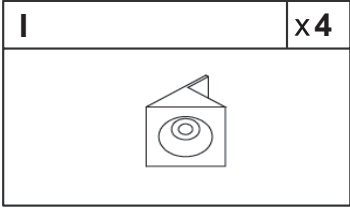
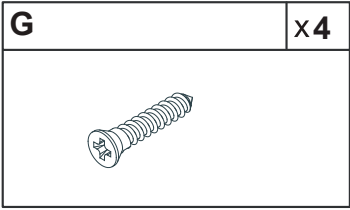
<b>M</b>	<b>x4</b>
	



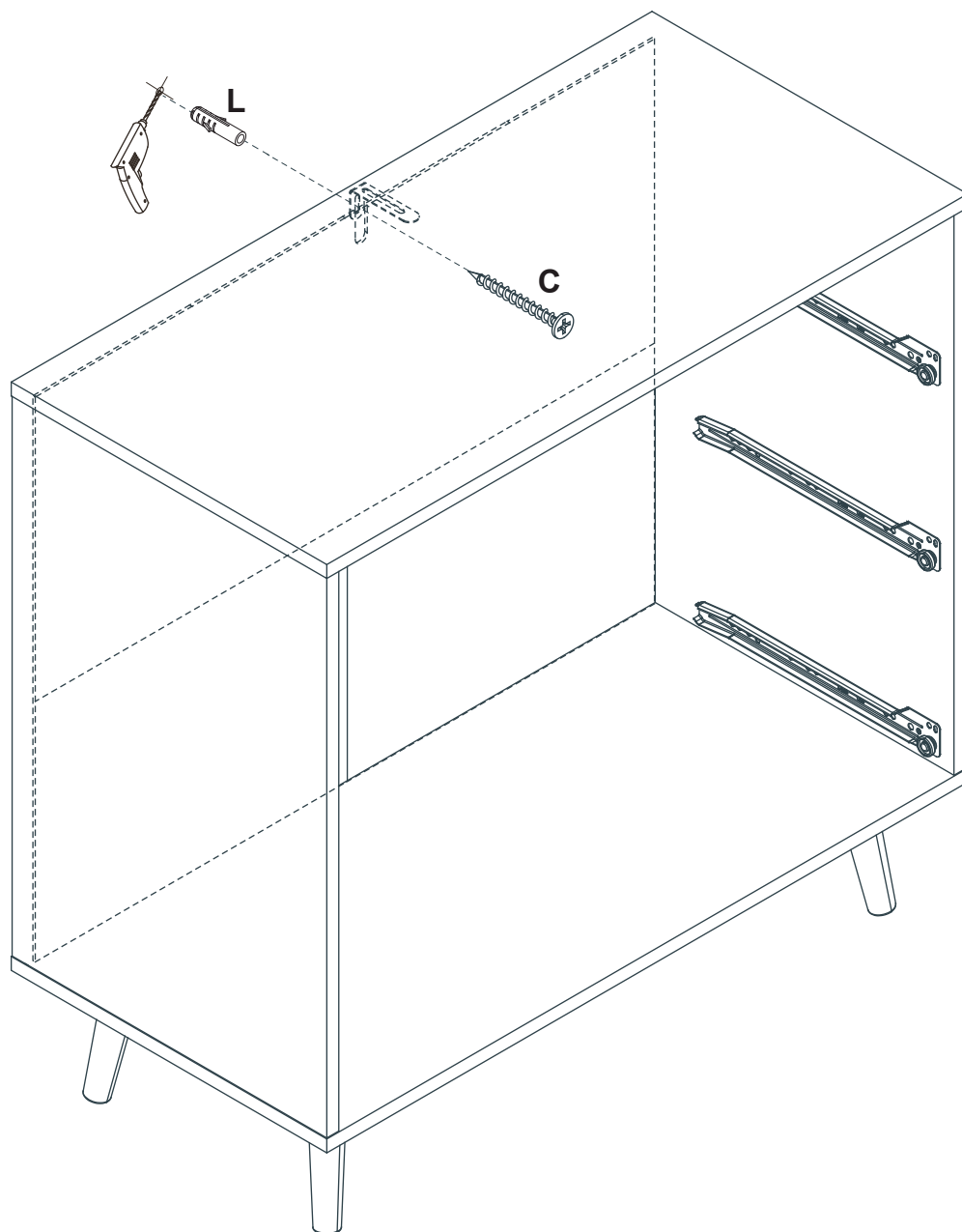
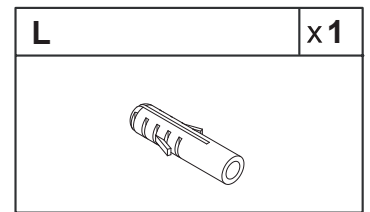
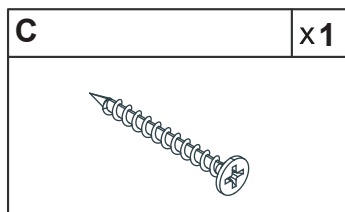
# Step 8



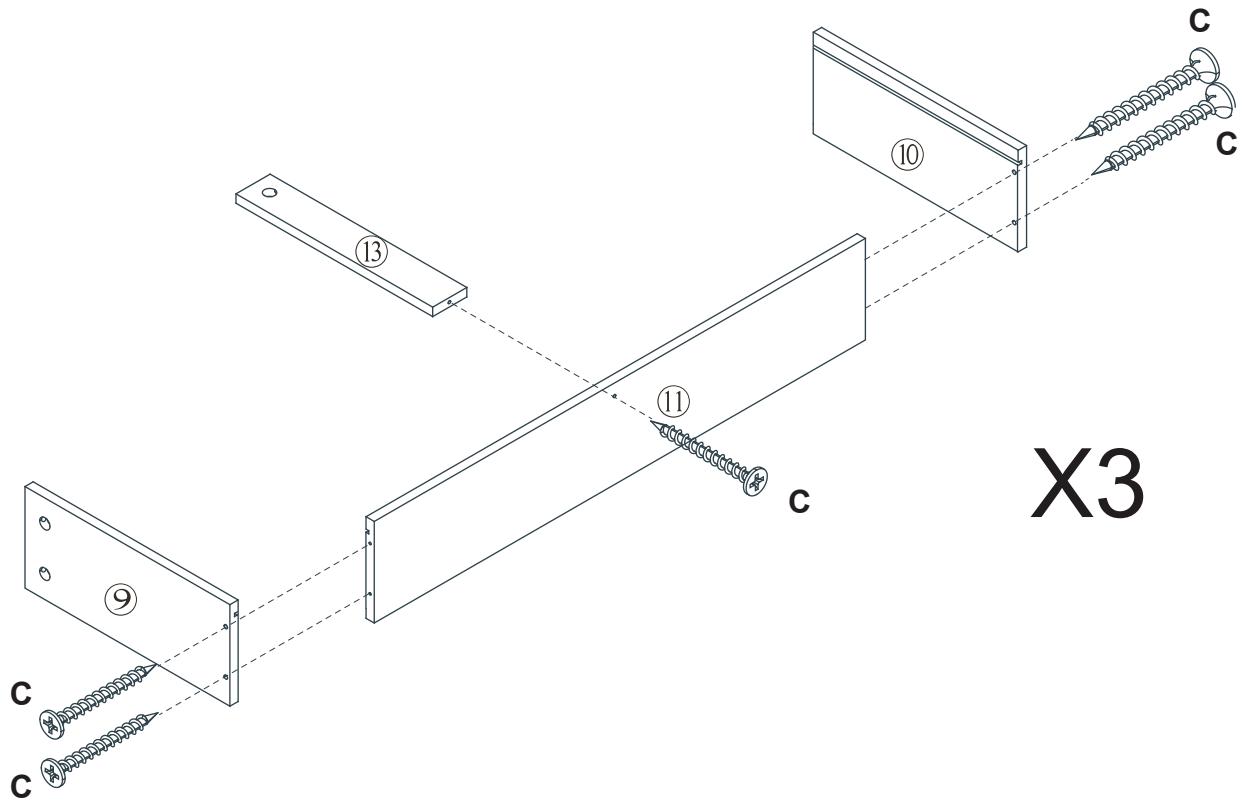
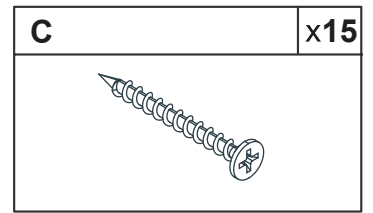
# Step 9



# Step 10

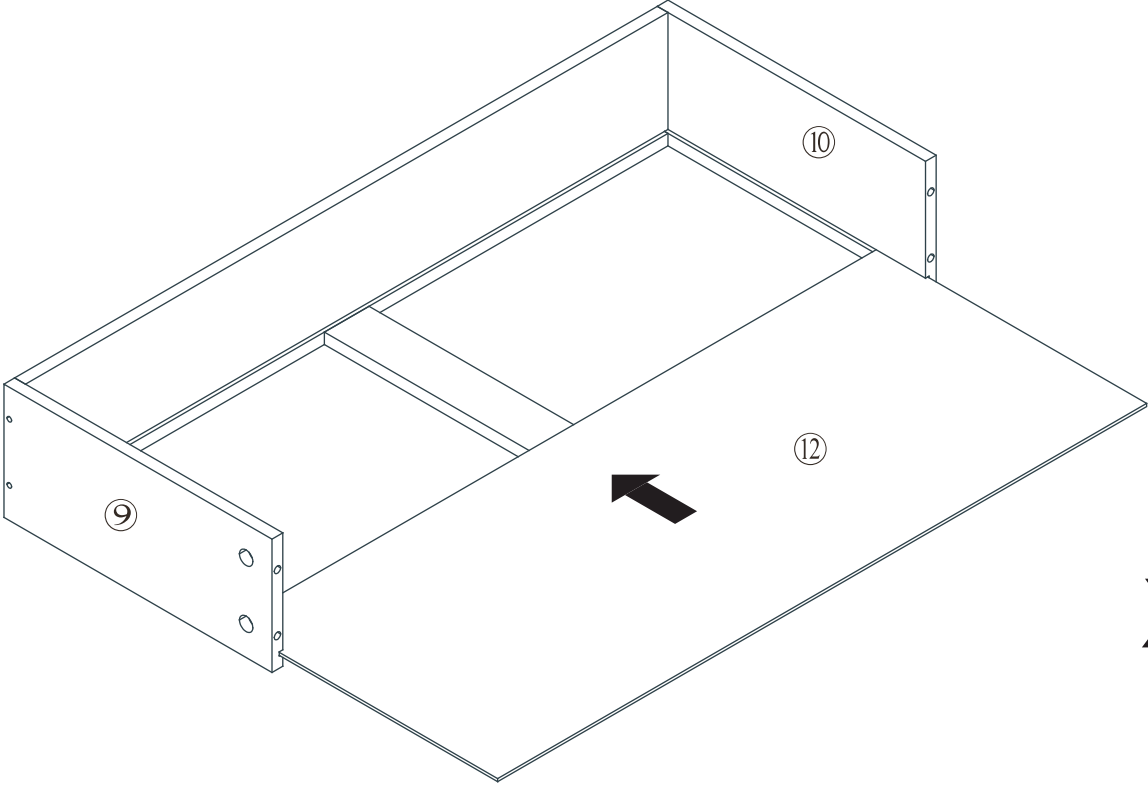


# Step 11



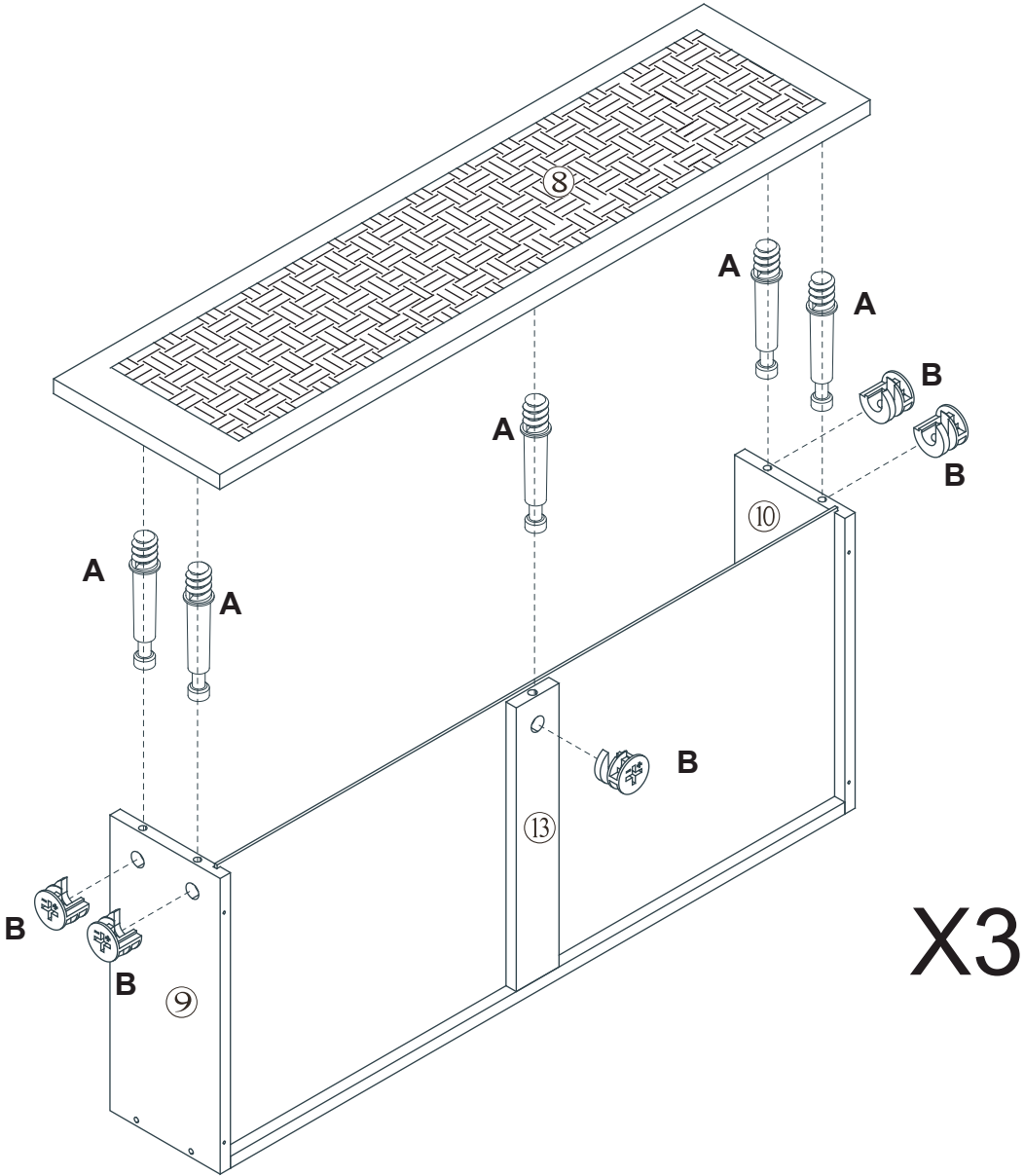
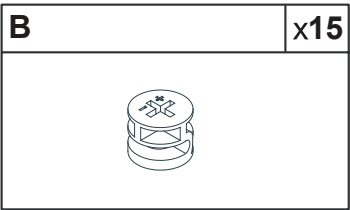
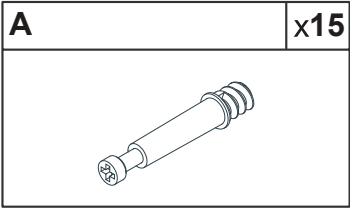


# Step 12

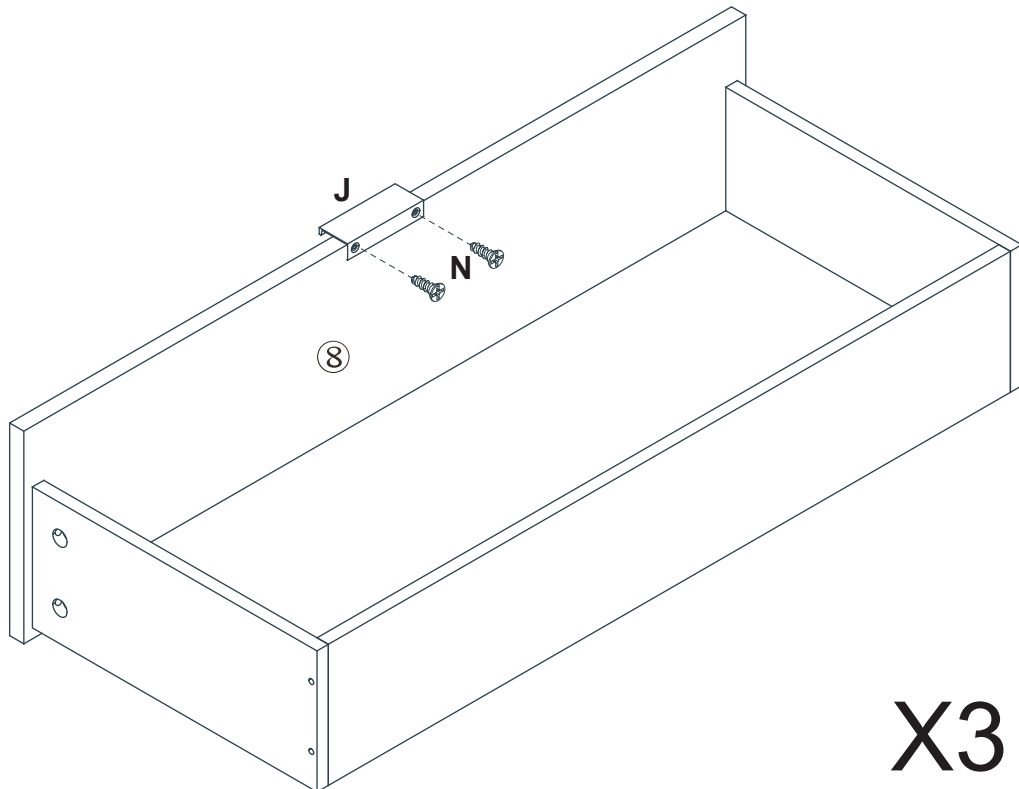
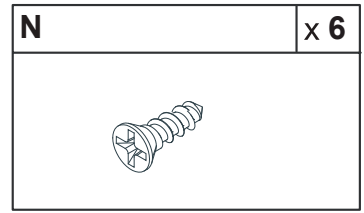
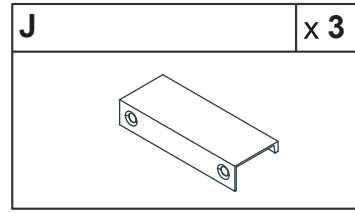


**X3**

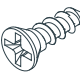
# Step 13

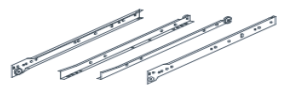


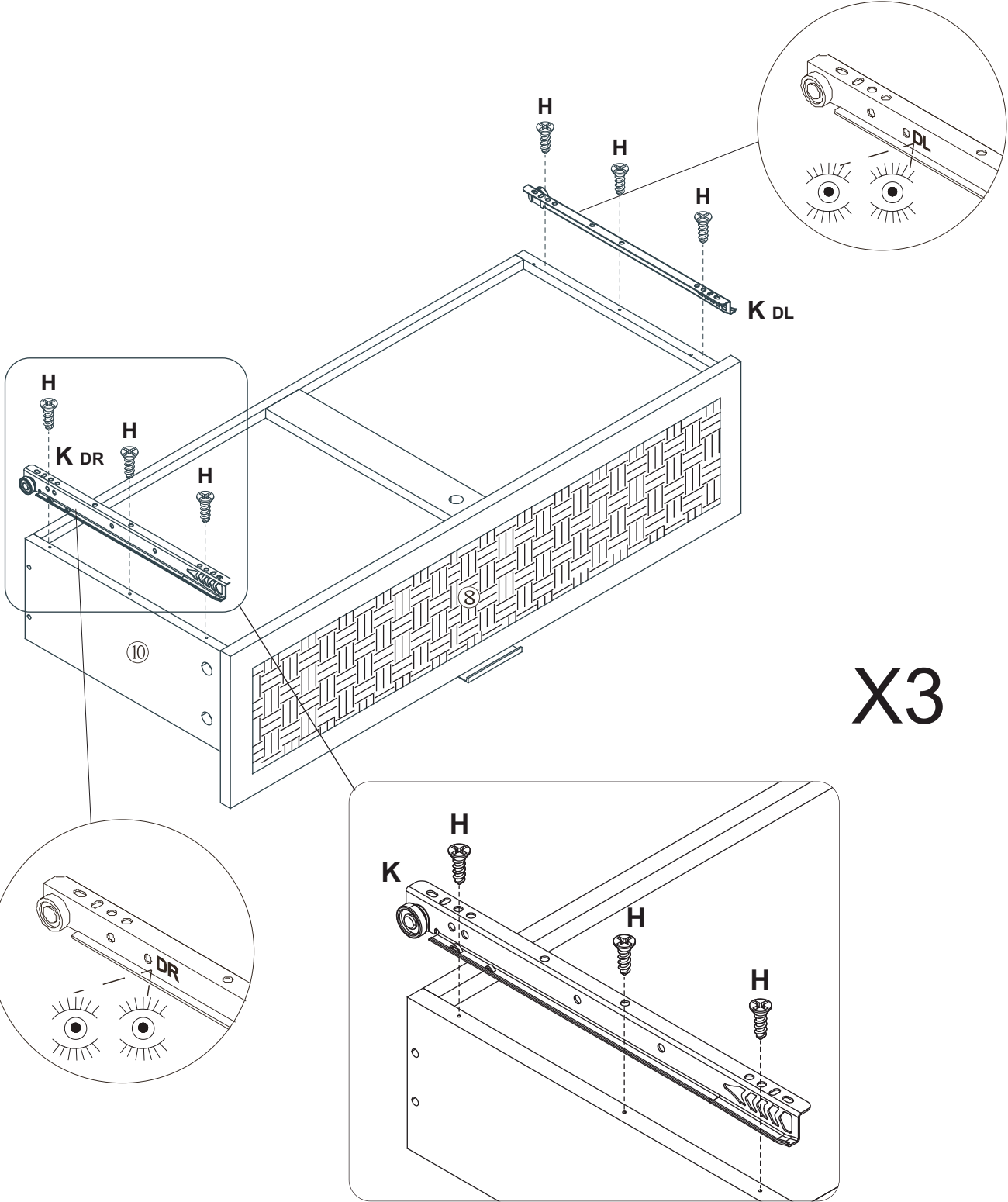
# Step 14



# Step 15

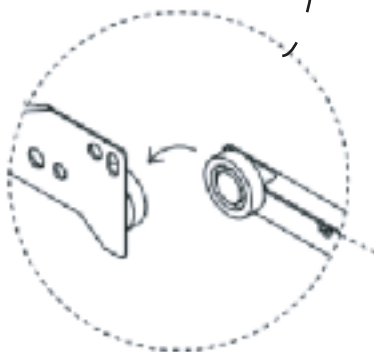
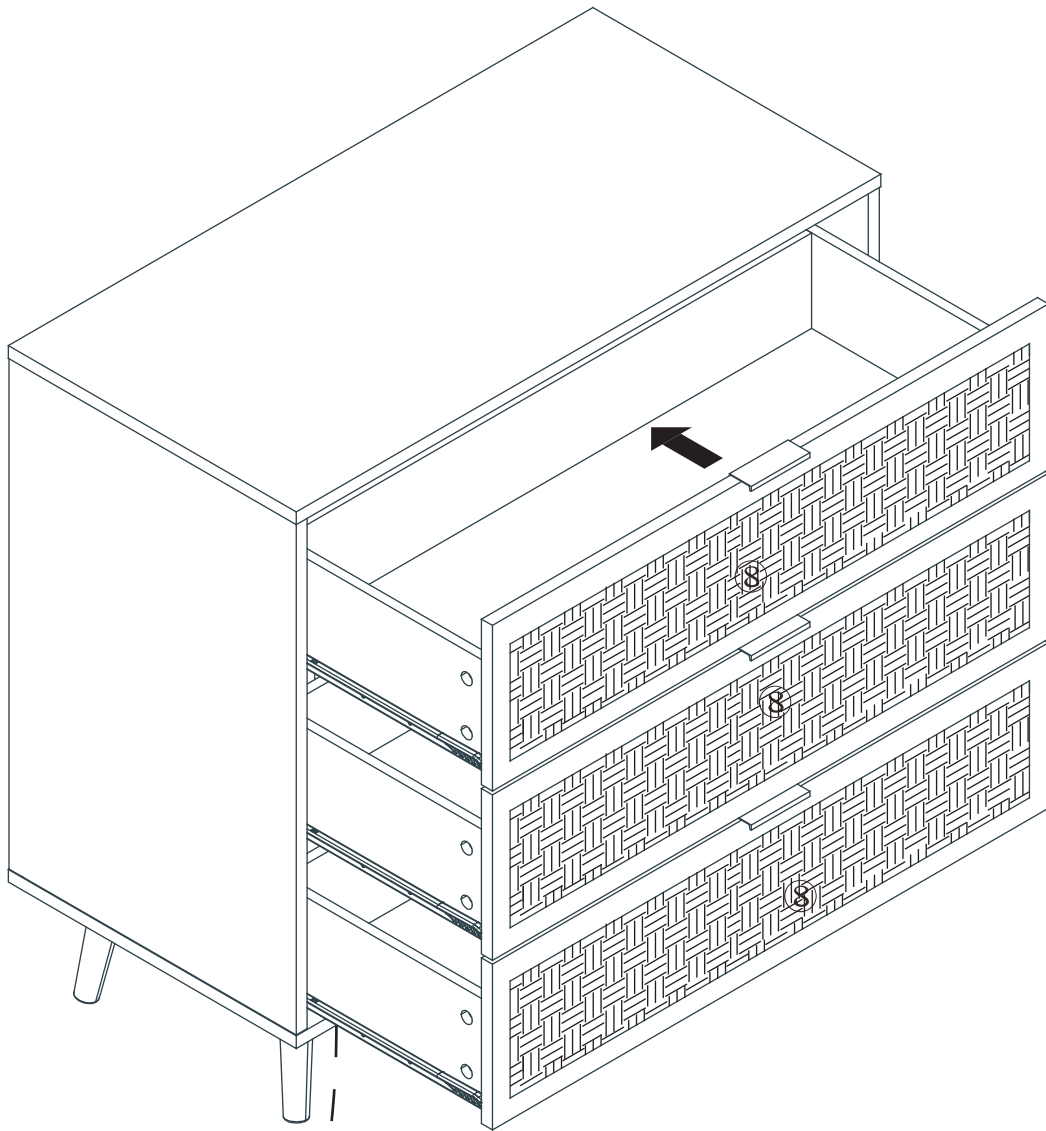
<b>H</b>	<b>x18</b>
	

<b>K</b>	<b>x3</b>
	
<p>CL DL DR CR</p>	



**X3**

# Step 16



# Proper Use

- DO NOT** use for commercial purposes
- DO NOT** use as a step stool or stand on table
- DO NOT** put hot serving liquid directly on the table top
- DO NOT** leave spilled liquid on the table top
- DO NOT** use table if damaged
- DO NOT** exceed weight limit
- DO NOT** make temporary repairs
- DO NOT** use outdoor

Dear Customer:

Thank you for purchasing our product, we wish you satisfy our service, if you have any further questions or any quality issues, please show the belows number and don't hesitate to contact our Customer Service People.:

**W688202302**