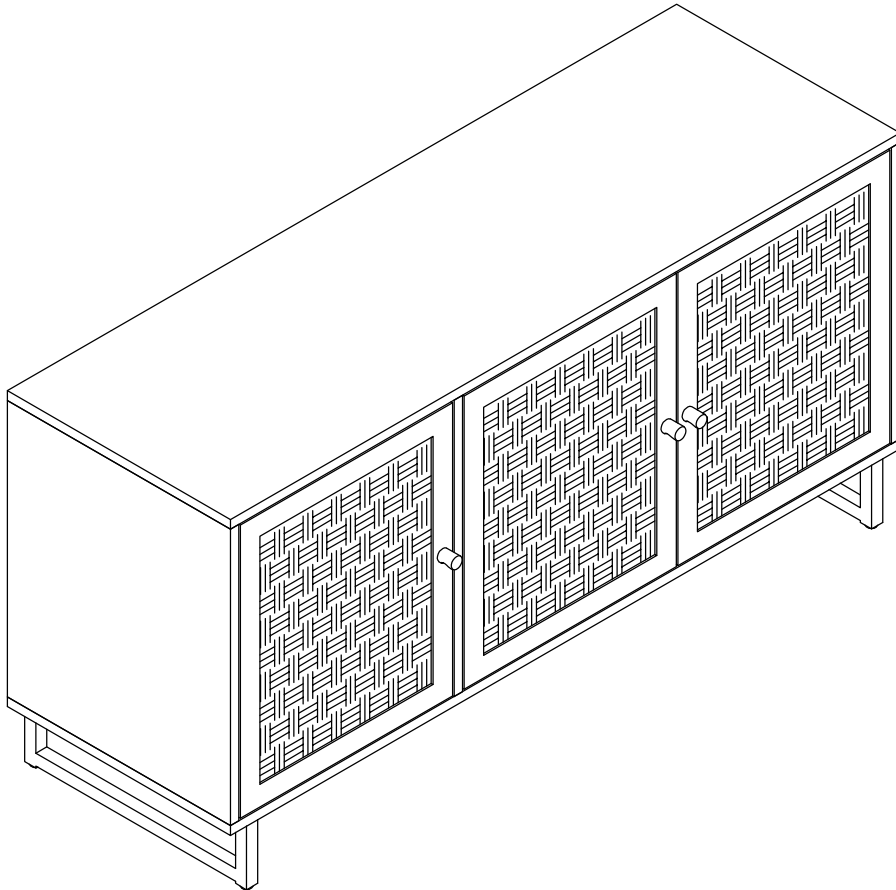


Installation Instruction



Product name

3 Door Cabinet

Ver.1.0 20230312

Assembling

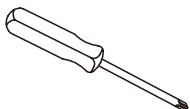
Estimated time for assembly



40:00

What you need

- Use the packaging carton as a working surface to prevent product damage during assembly
- Phillips head screwdriver



Weight Limitation

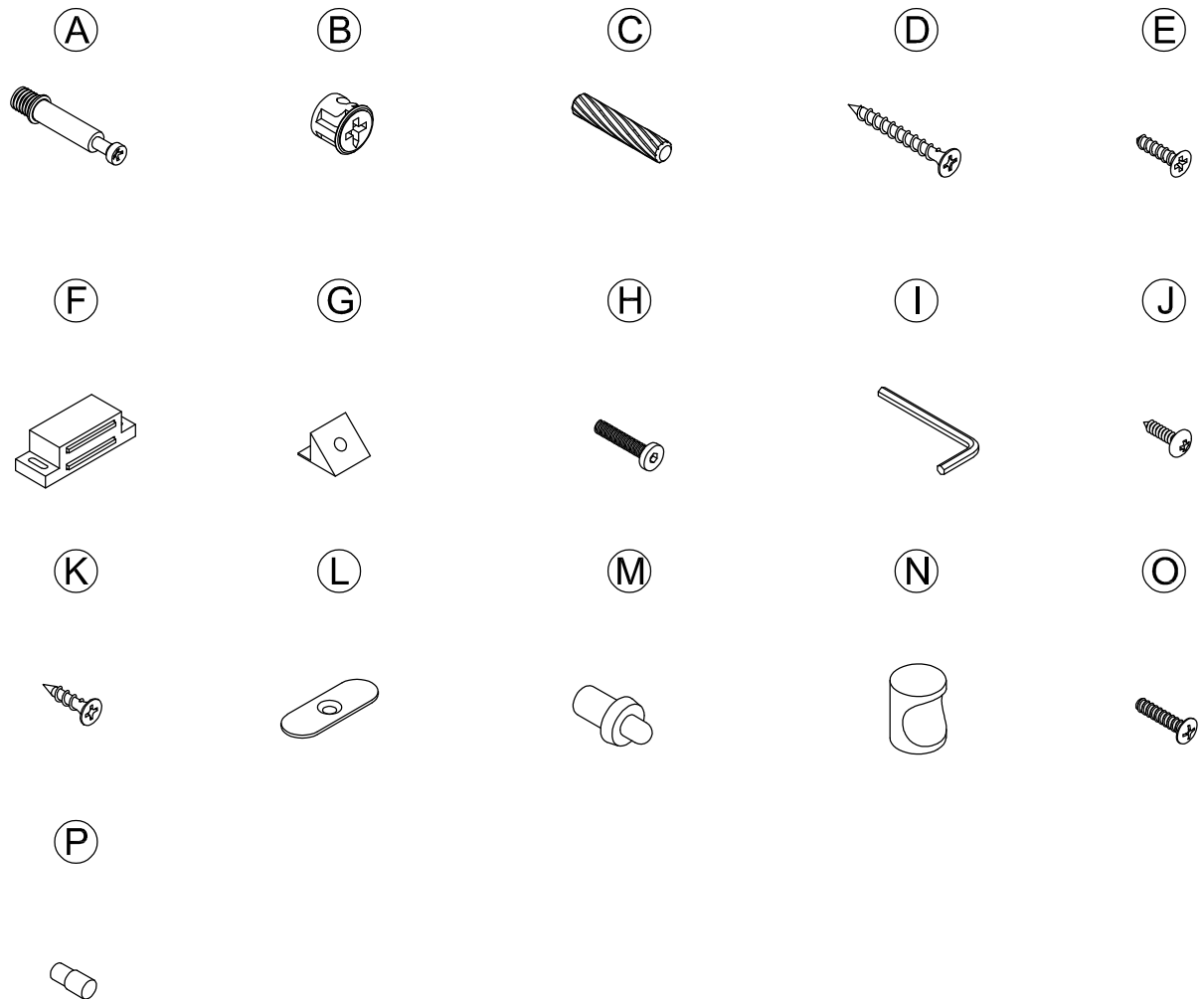


80 | 40
lbs table top | lbs per shelf

What's included

| Code | Description | Qty |
|------|------------------------|-----|
| A | Cam Bolt M6X35MM | 12 |
| B | Cam Lock 15X10MM | 12 |
| C | Wooden Dowel M8X30MM | 14 |
| D | Screw M4X35MM | 8 |
| E | Screw M3X14MM | 16 |
| F | Magnetic Door Catcher | 4 |
| G | Plastic corner support | 8 |
| H | Bolt M6X30MM | 14 |
| I | Allen Key | 1 |
| J | Screw M4X14MM | 4 |
| K | Screw M3X12MM | 6 |
| L | Metal Plate | 6 |
| M | Plastic Pin | 6 |
| N | Handle | 3 |
| O | Bolt M4X18MM | 3 |
| P | Metal Support | 8 |

The Hardwares



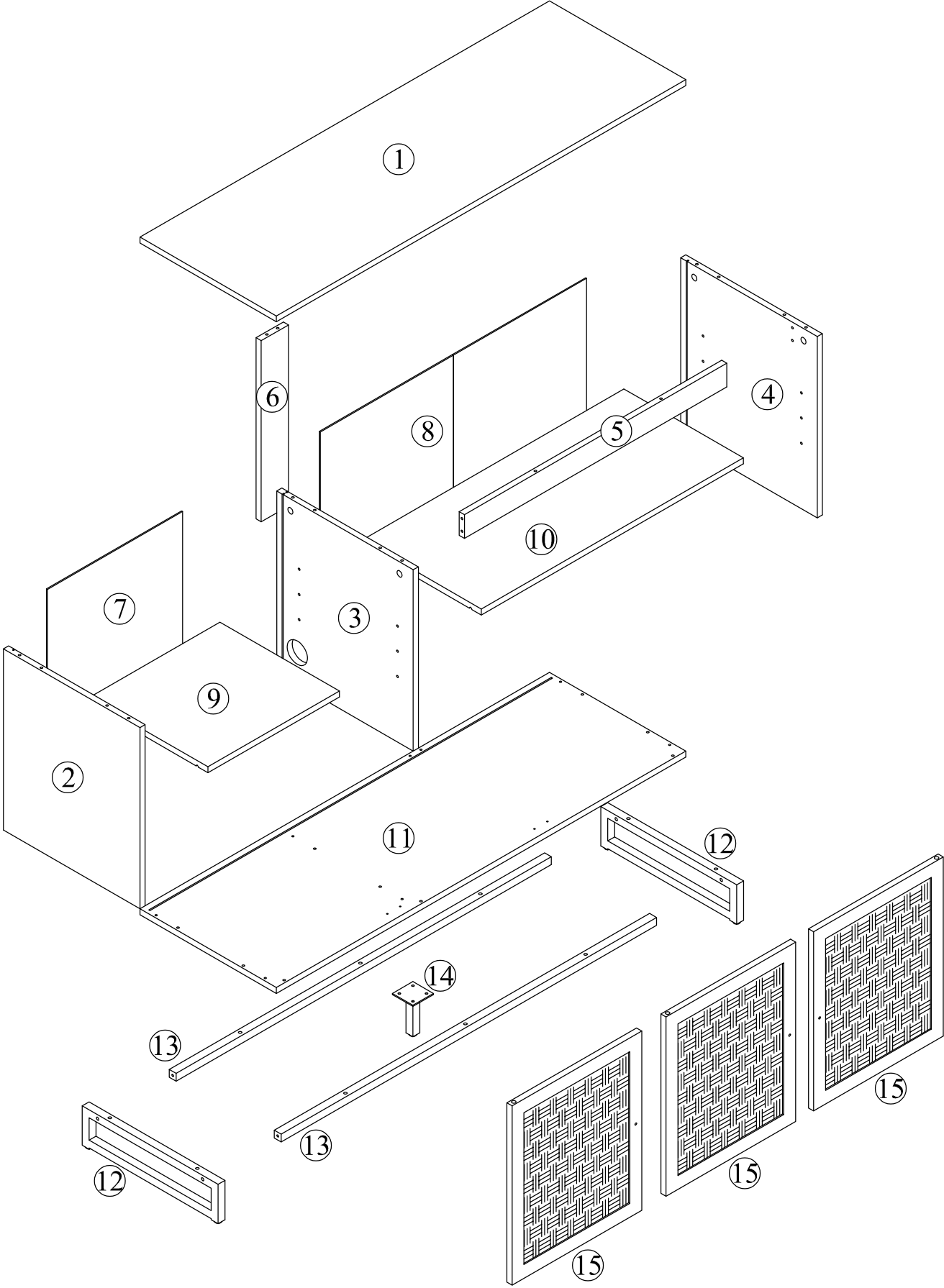
IMPORTANT:

1. Do not tighten bolts / screws completely until all bolts / screws are lined up and inserted into holes.
2. Do not over tighten screws and bolts to avoid stripping.
3. Please use hand tools to assemble this product. Do not use power tools.

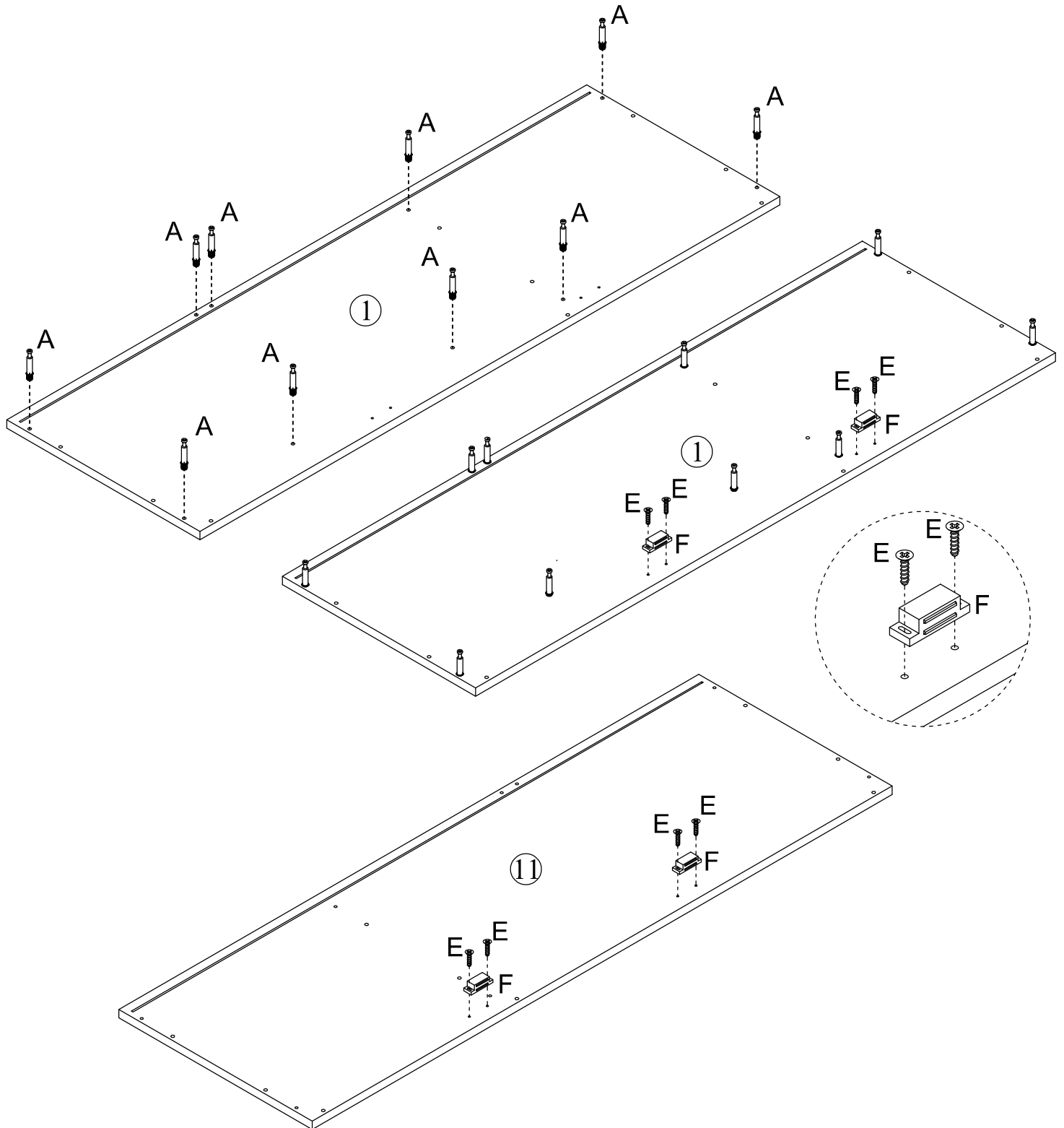
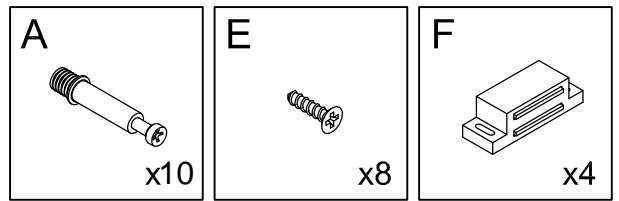
Included Accessories

| Code | Description | Qty |
|-------------|----------------------------|------------|
| 1 | Cabinet Top | 1 |
| 2 | Left Side Panel | 1 |
| 3 | Middle Division Panel | 1 |
| 4 | Right Side Panel | 1 |
| 5 | Horizontal Front Stretcher | 1 |
| 6 | Vertical Back Stretcher | 1 |
| 7 | Left Back Panel | 1 |
| 8 | Right Back Panel | 1 |
| 9 | Left Shelf | 1 |
| 10 | Right Shelf | 1 |
| 11 | Bottom Panel | 1 |
| 12 | Side Frame | 2 |
| 13 | Top Metal Stretcher | 2 |
| 14 | Middle Support Leg | 1 |
| 15 | Door | 3 |

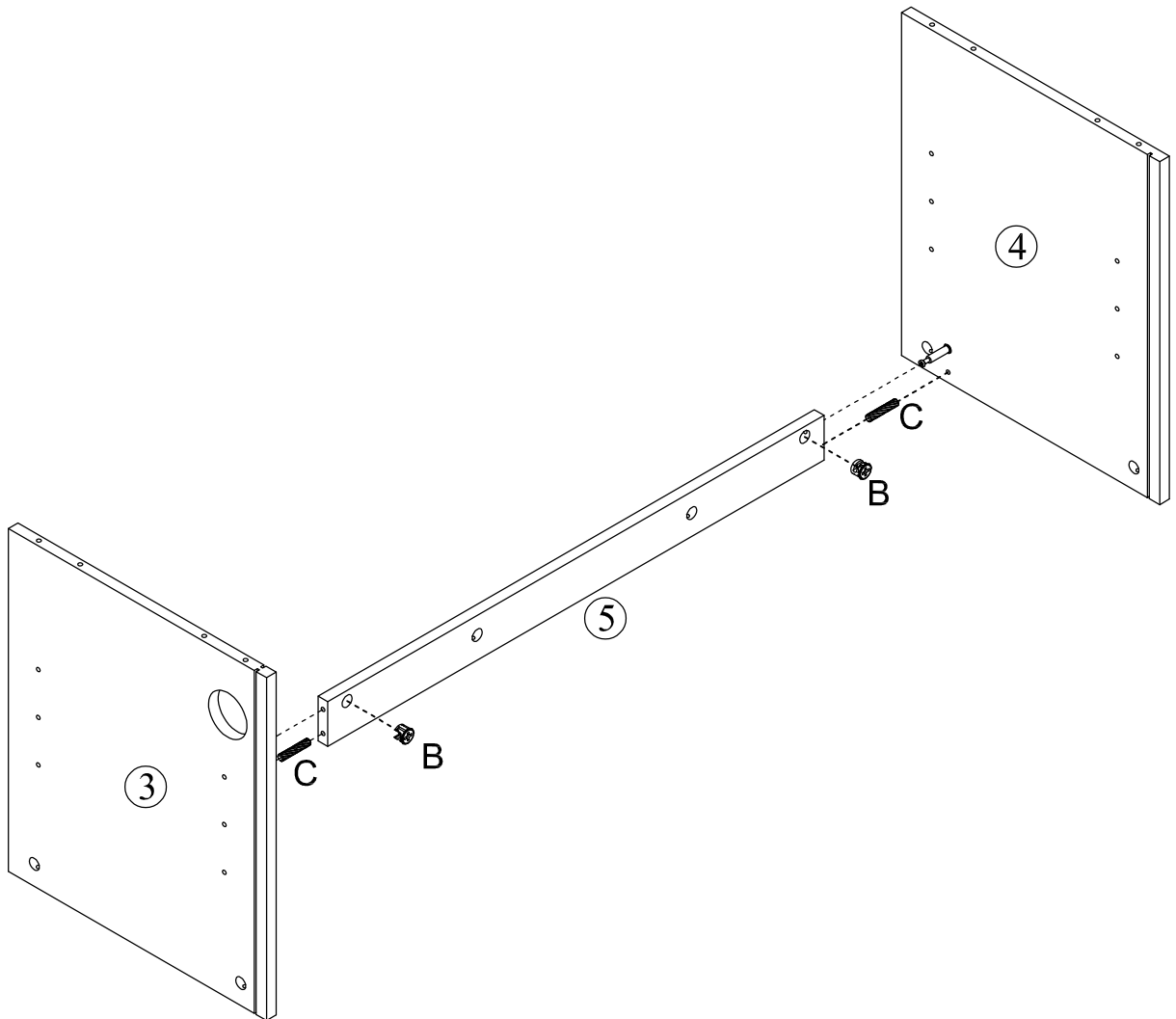
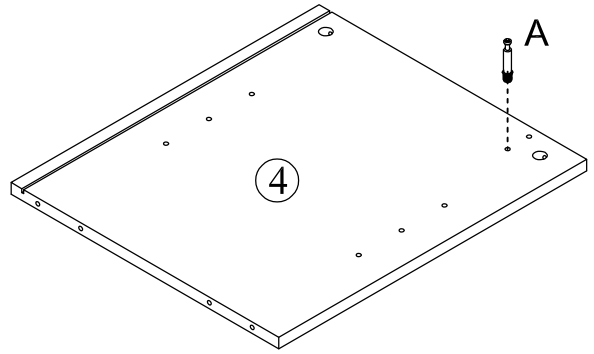
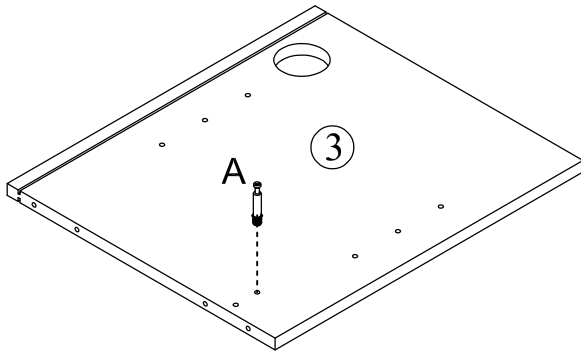
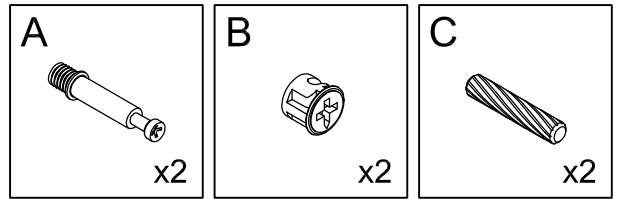
The Accessories



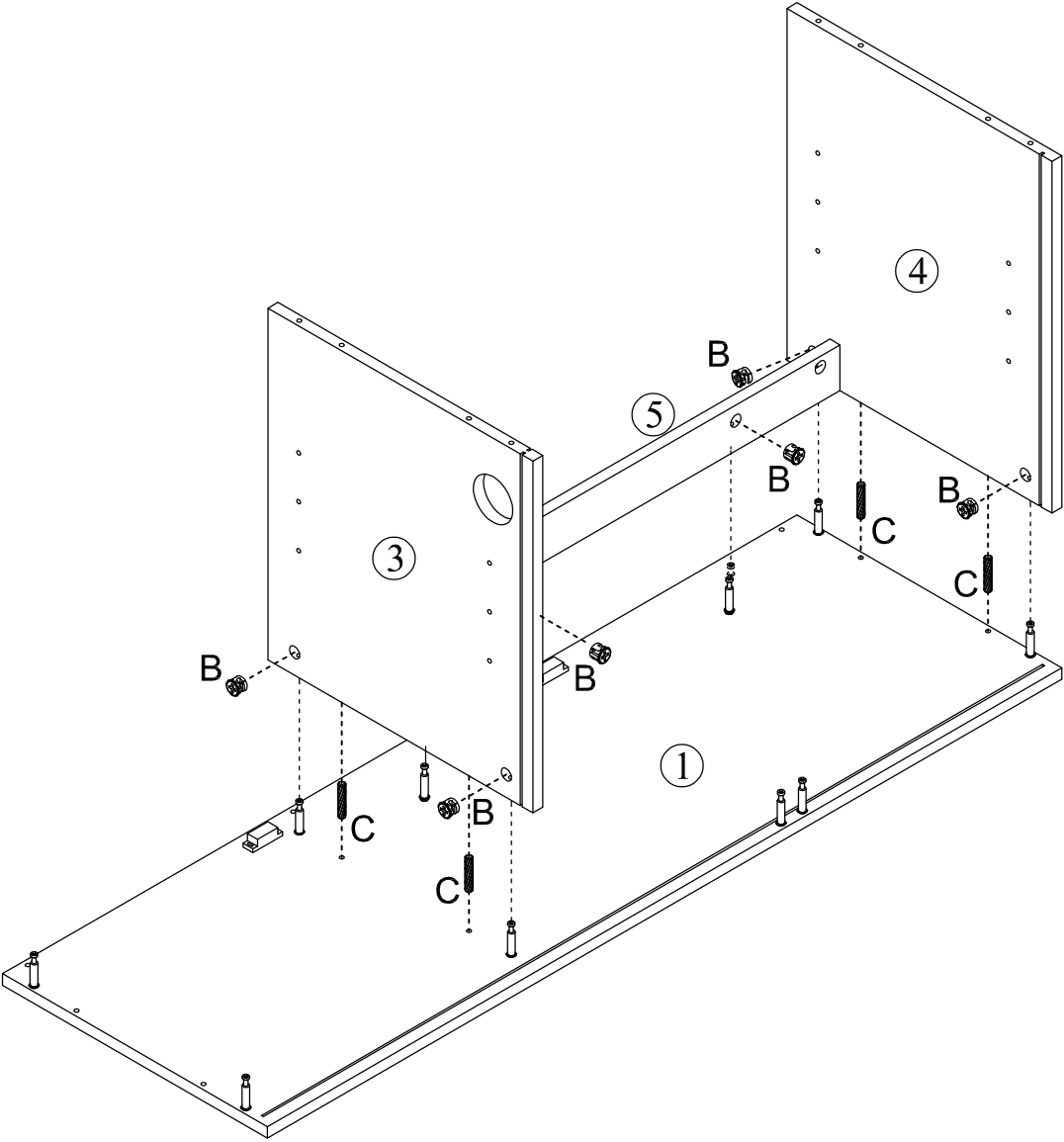
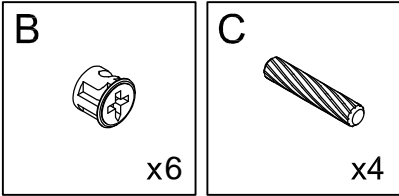
STEP 1



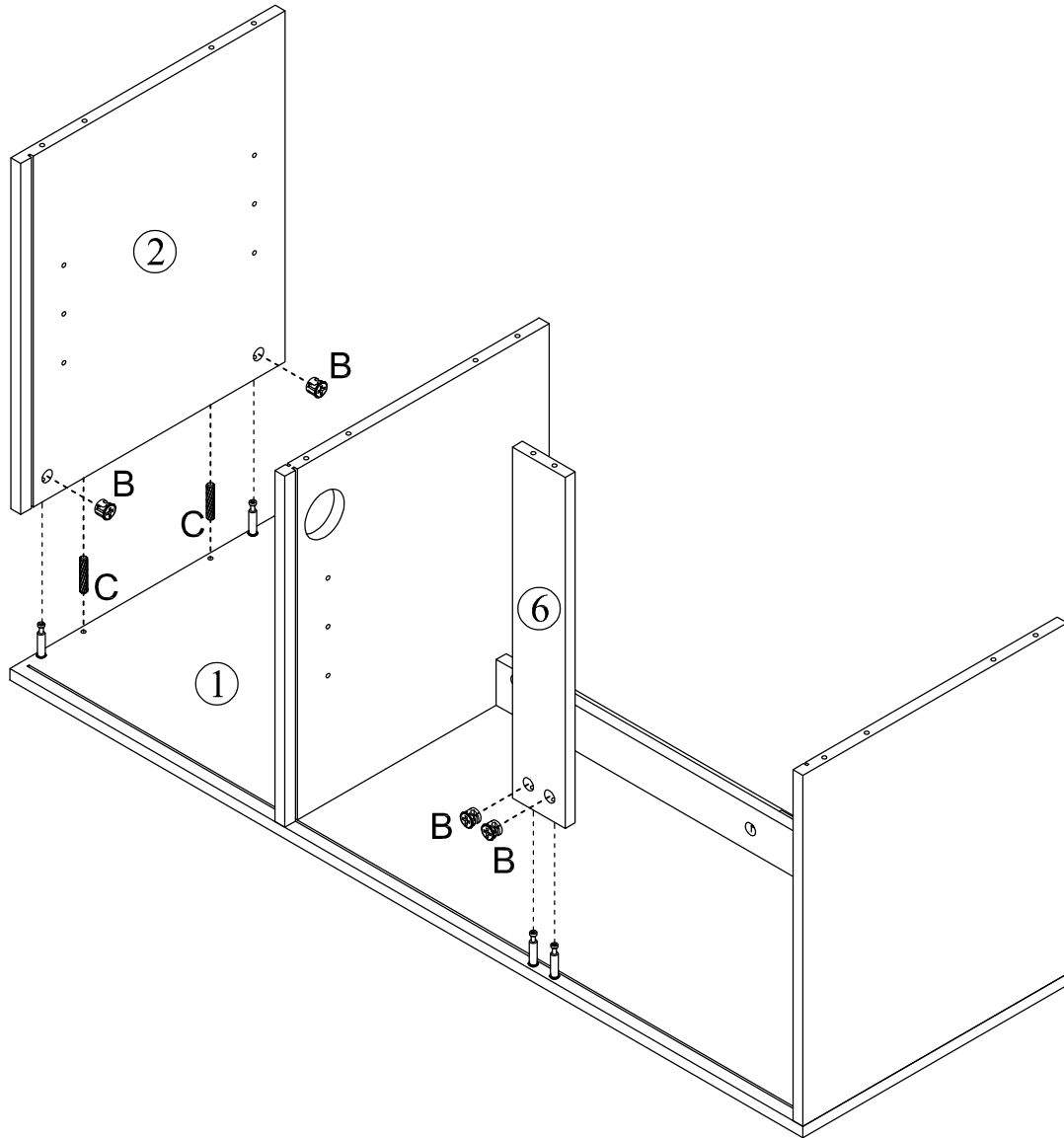
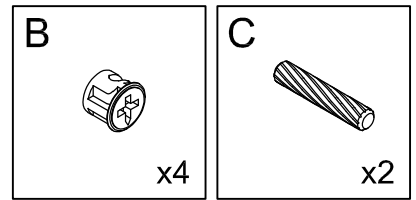
STEP 2



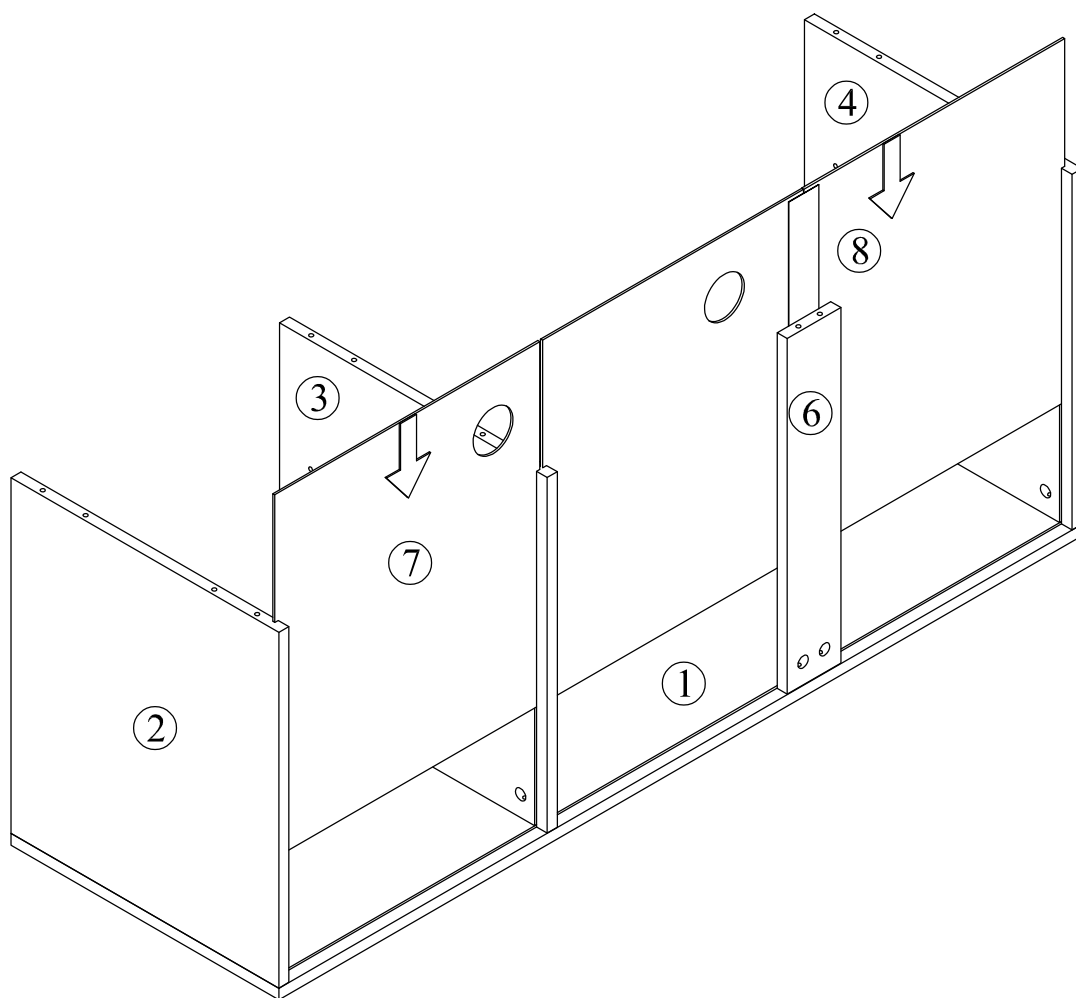
STEP 3



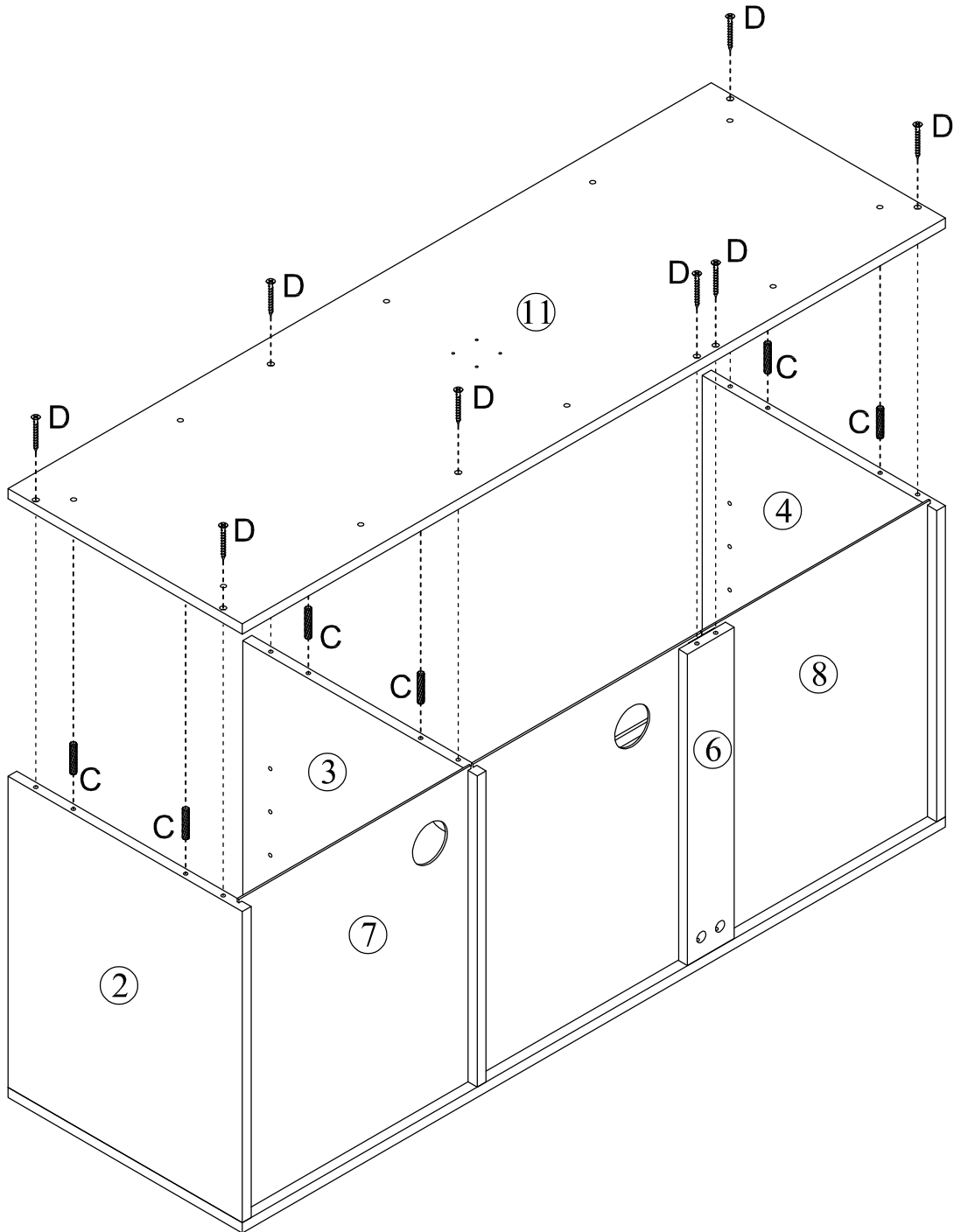
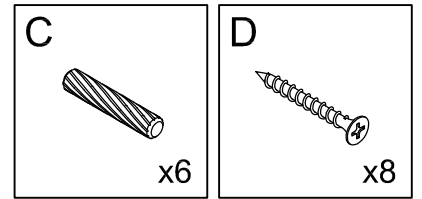
STEP 4



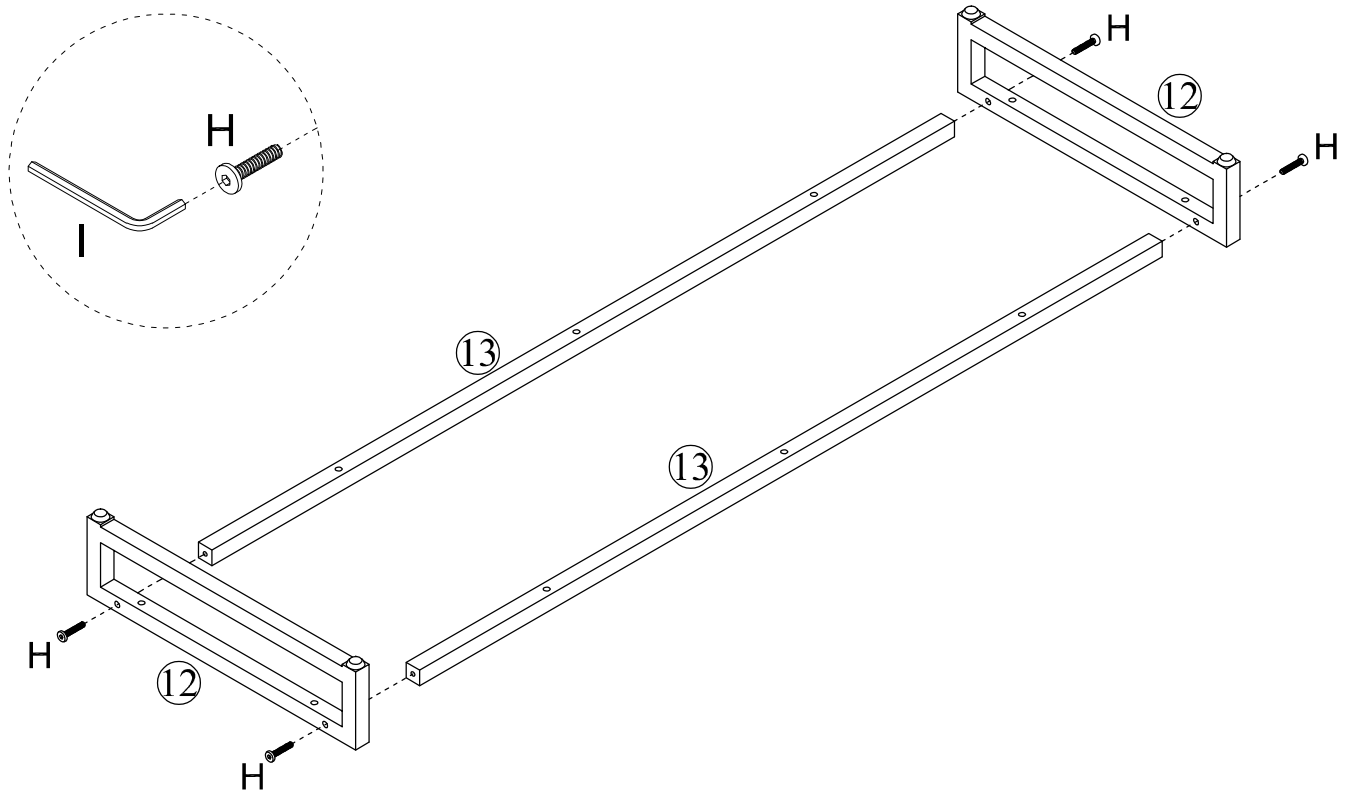
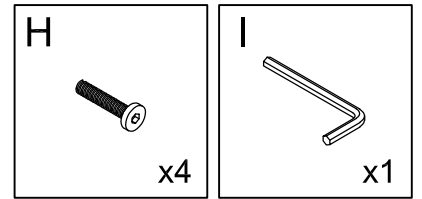
STEP 5



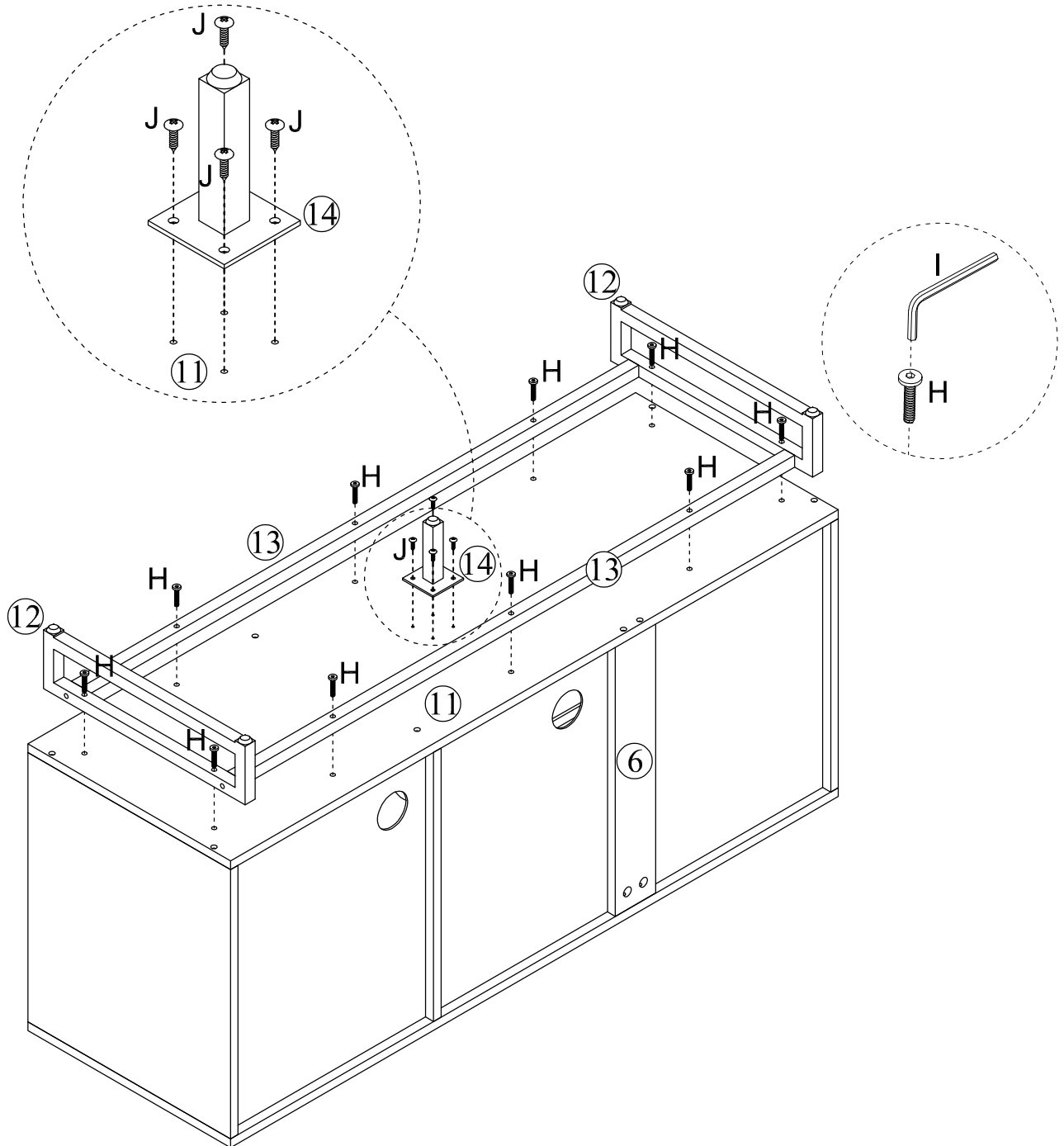
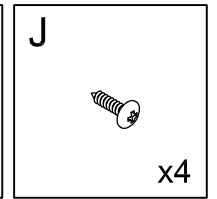
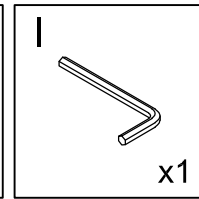
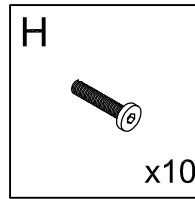
STEP 6



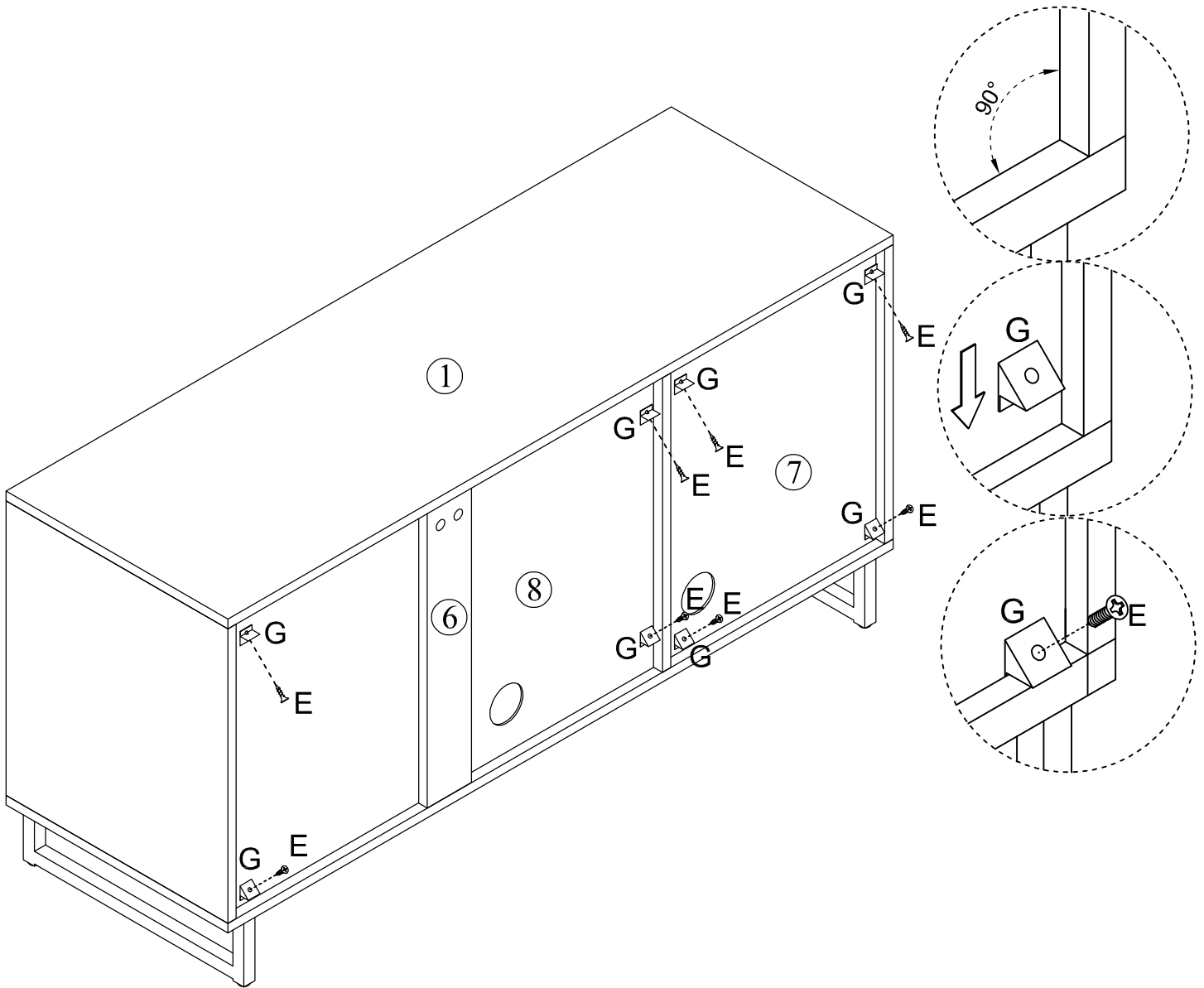
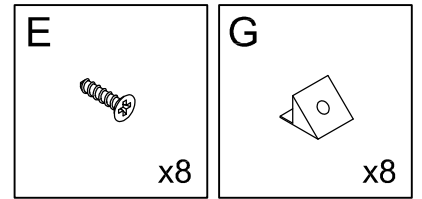
STEP 7



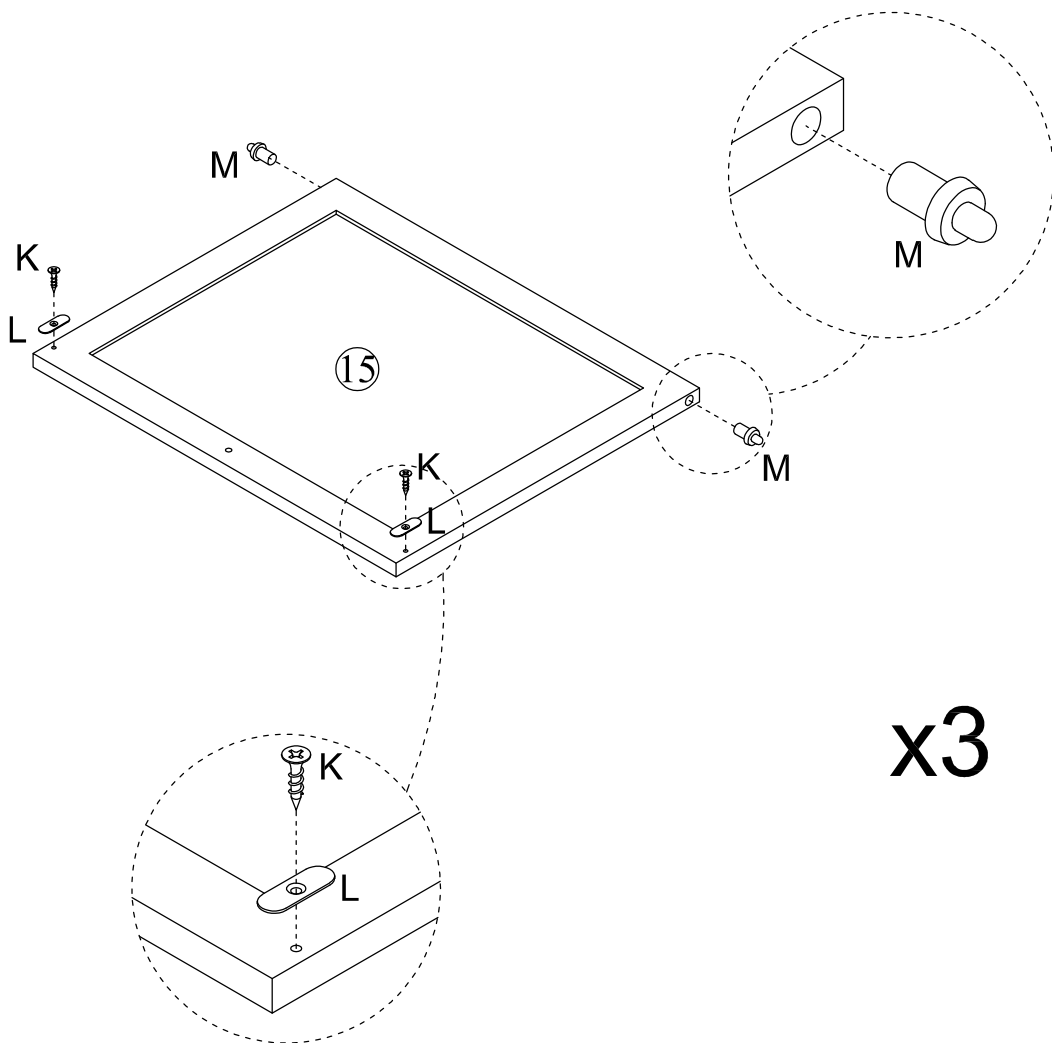
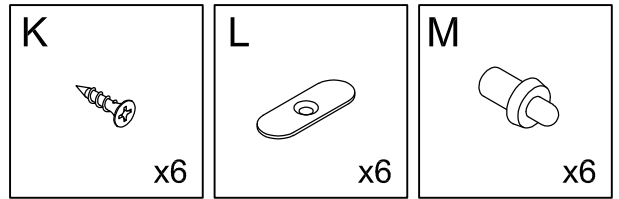
STEP 8



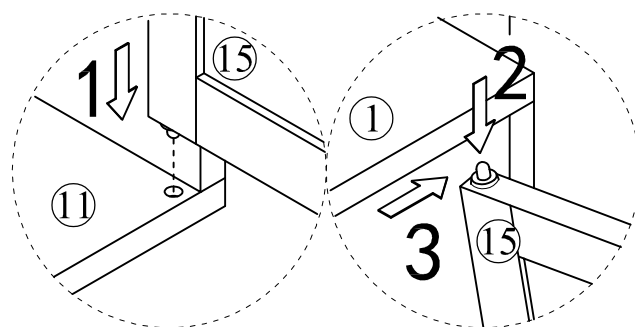
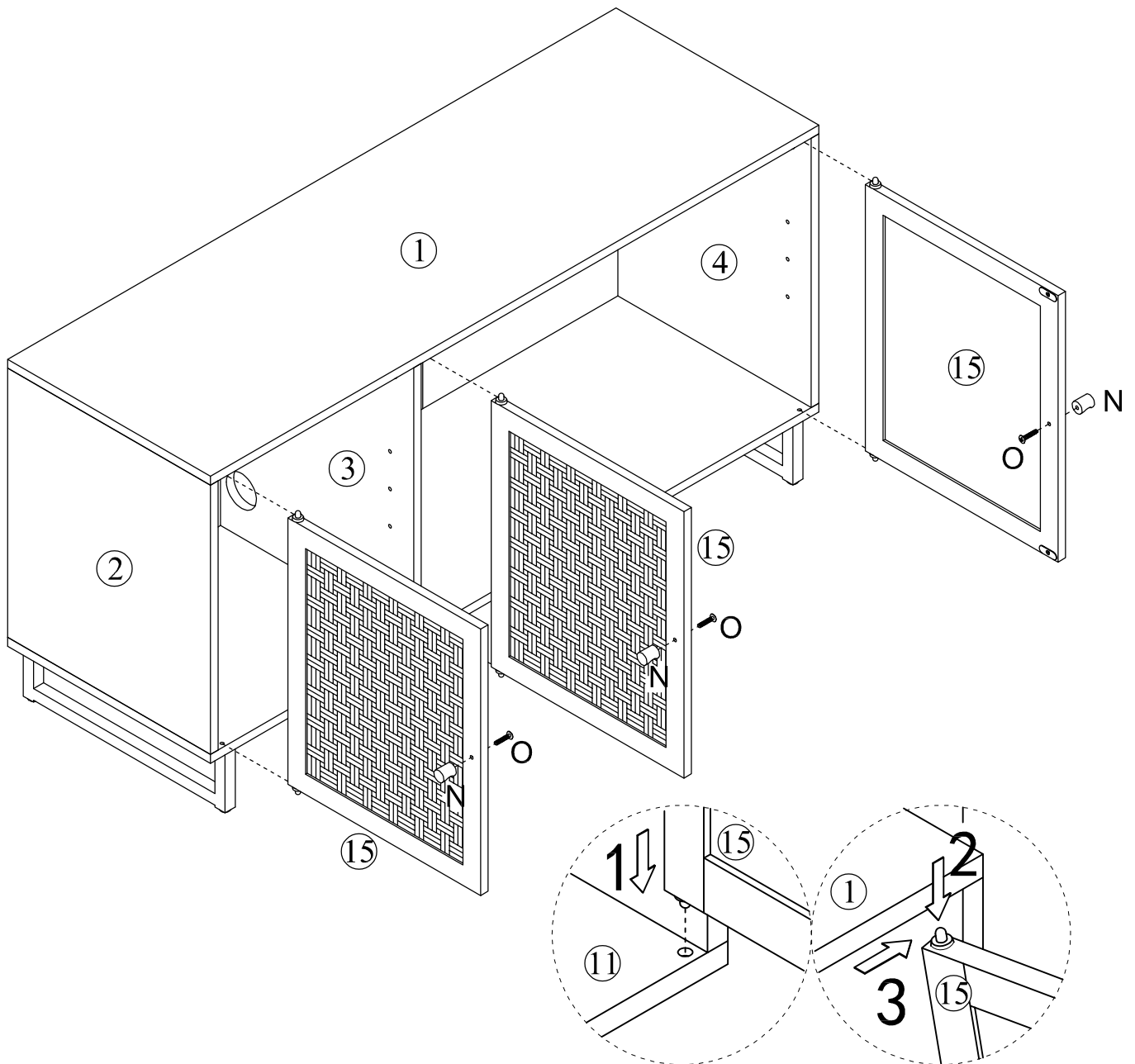
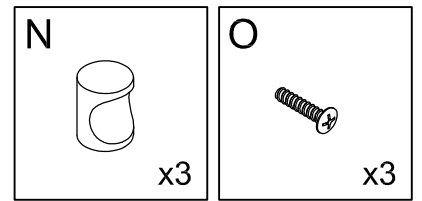
STEP 9



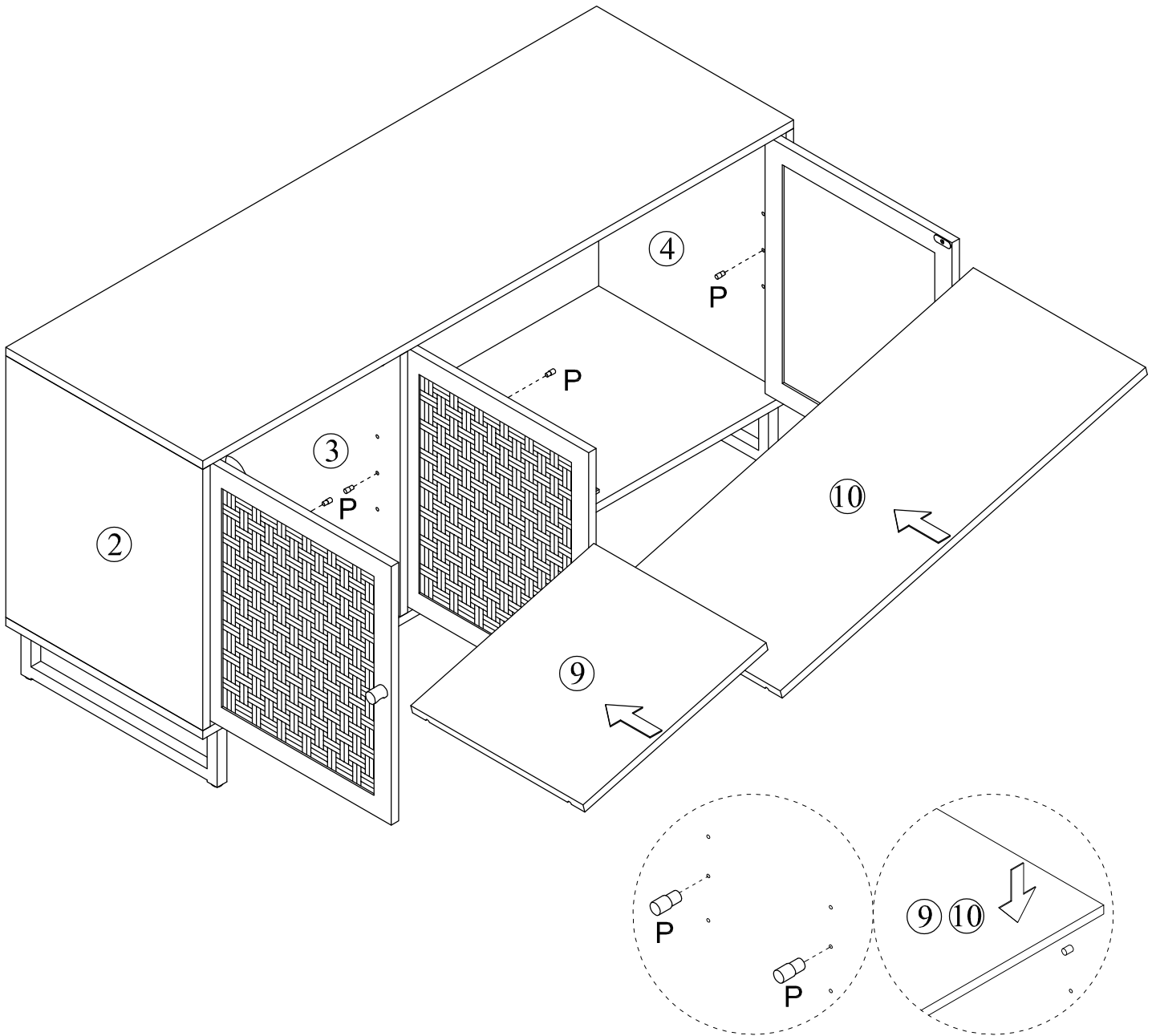
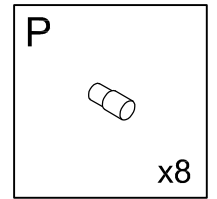
STEP 10



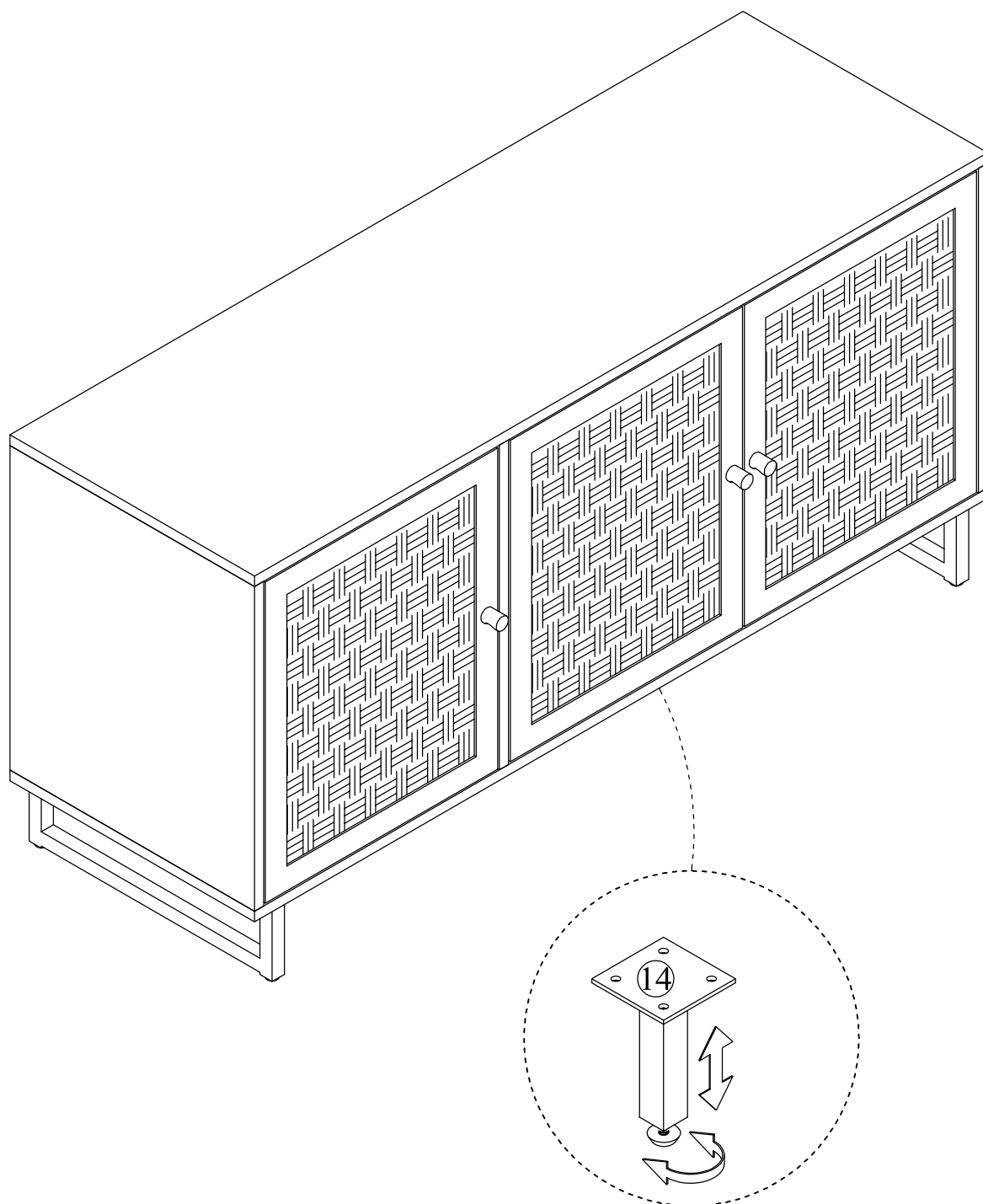
STEP 11



STEP 12



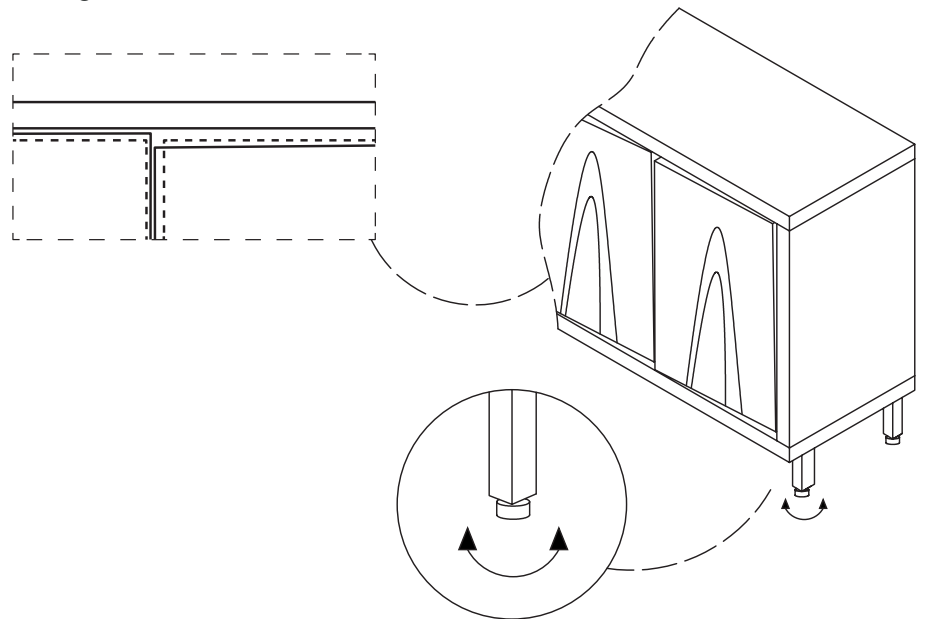
STEP 13



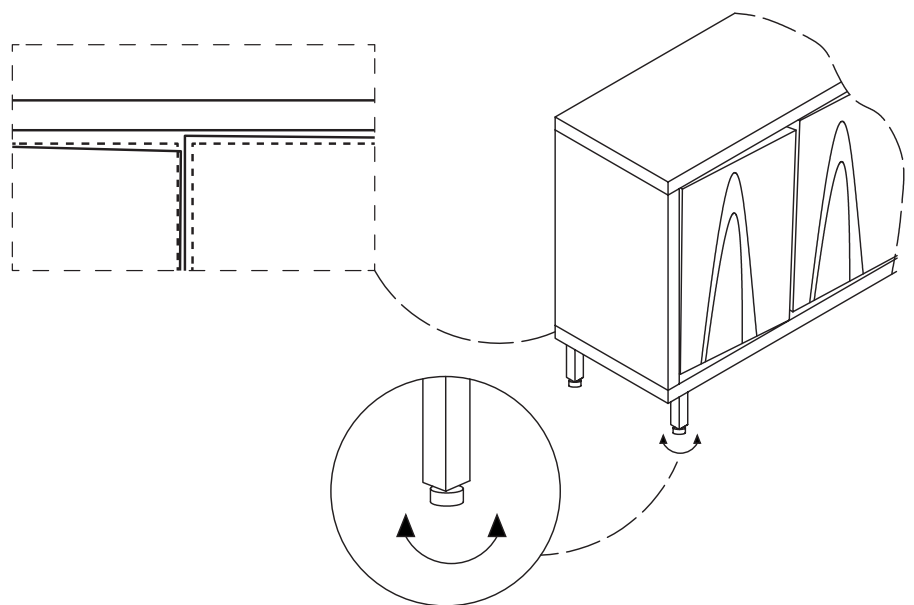
Is your cabinet door looking crooked or unevenly spaced? (Cont.)

If you're still having trouble lining everything up, your next step should be to try to adjust the feet slightly to square up the cabinet & doors. Follow the illustrations below:

If the right door appears to be hanging low, you can adjust the adjustable leveler on the front right until the door is better aligned.



If the left door appears to be hanging low, you can adjust the adjustable leveler on the front left until the door is better aligned.



Proper Use

- DO NOT** use for commercial purposes
- DO NOT** use as a step stool or stand on table
- DO NOT** put hot serving liquid directly on the table top
- DO NOT** leave spilled liquid on the table top
- DO NOT** use table if damaged
- DO NOT** exceed weight limit
- DO NOT** make temporary repairs
- DO NOT** use outdoor

Dear Customer:

Thank you for purchasing our product, we wish you satisfy our service, if you have any further questions or any quality issues, please show the belows number and don't hesitate to contact our Customer Service People :

W688202303