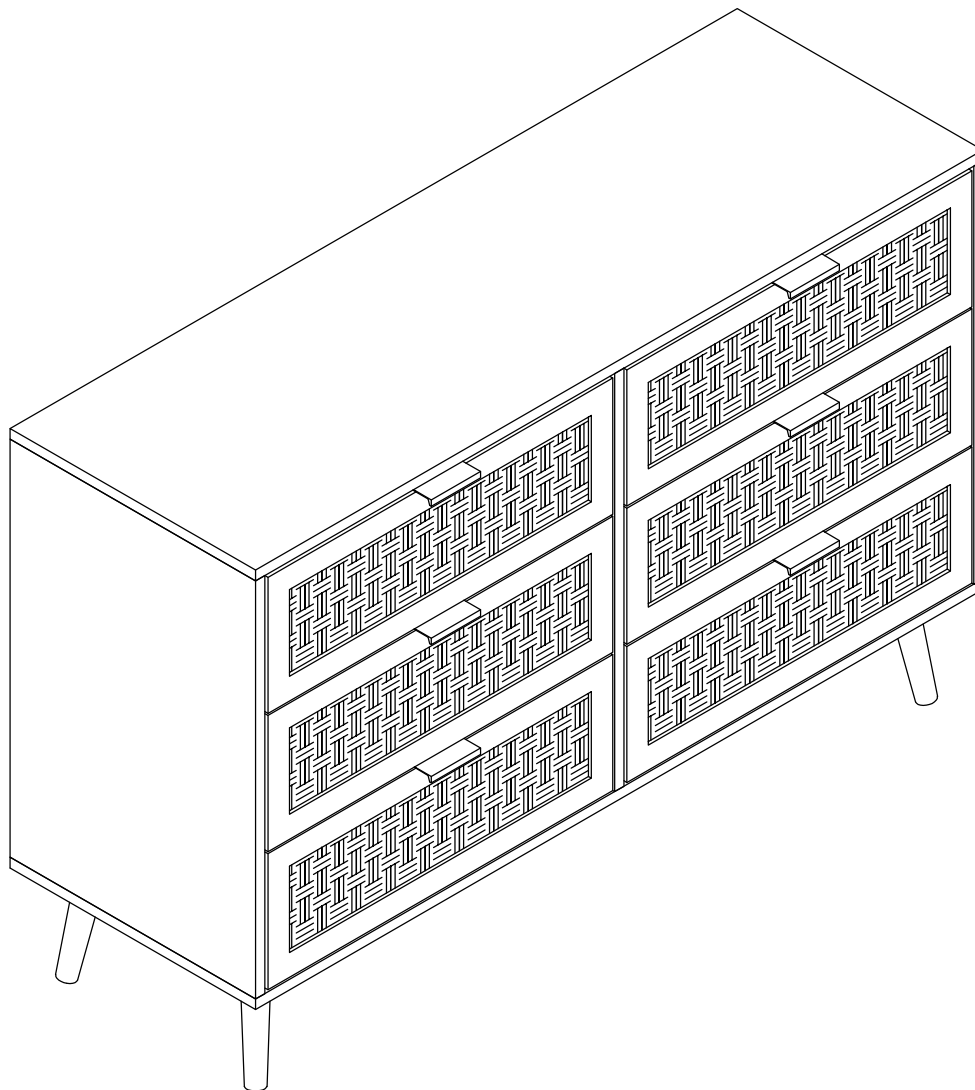


Installation Instruction



Product name

6 Drawer Cabinet

Ver.1.0 20230329

Assembling

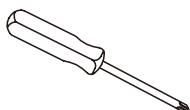
Estimated time for assembly



40:00

What you need

- Use the packaging carton as a working surface to prevent product damage during assembly
- Phillips head screwdriver



Weight Limitation

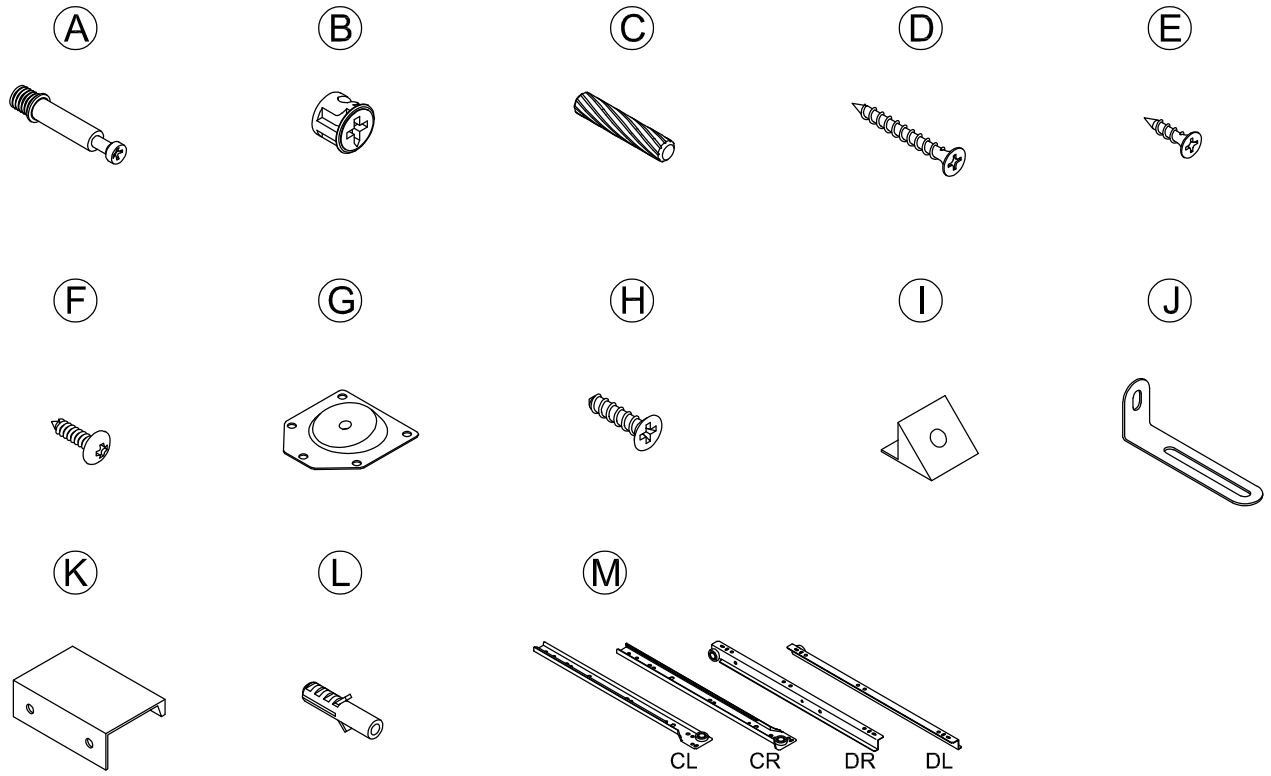


66 | 11
lbs table top | lbs per drawer

What's included

Code	Description	Qty
A	Cam Bolt M6X35MM	44
B	Cam Lock 15X10MM	44
C	Wooden Dowel M6X30MM	12
D	Screw M4X35MM	38
E	Screw M3.5 X12MM	84
F	Screw M4X12MM	22
G	Metal Pin	4
H	Screw M3X14MM	8
I	Plastic corner support	8
J	Metal Plate	2
K	Handle	6
L	Anchor	2
M	Slide sets	6

The Hardwares

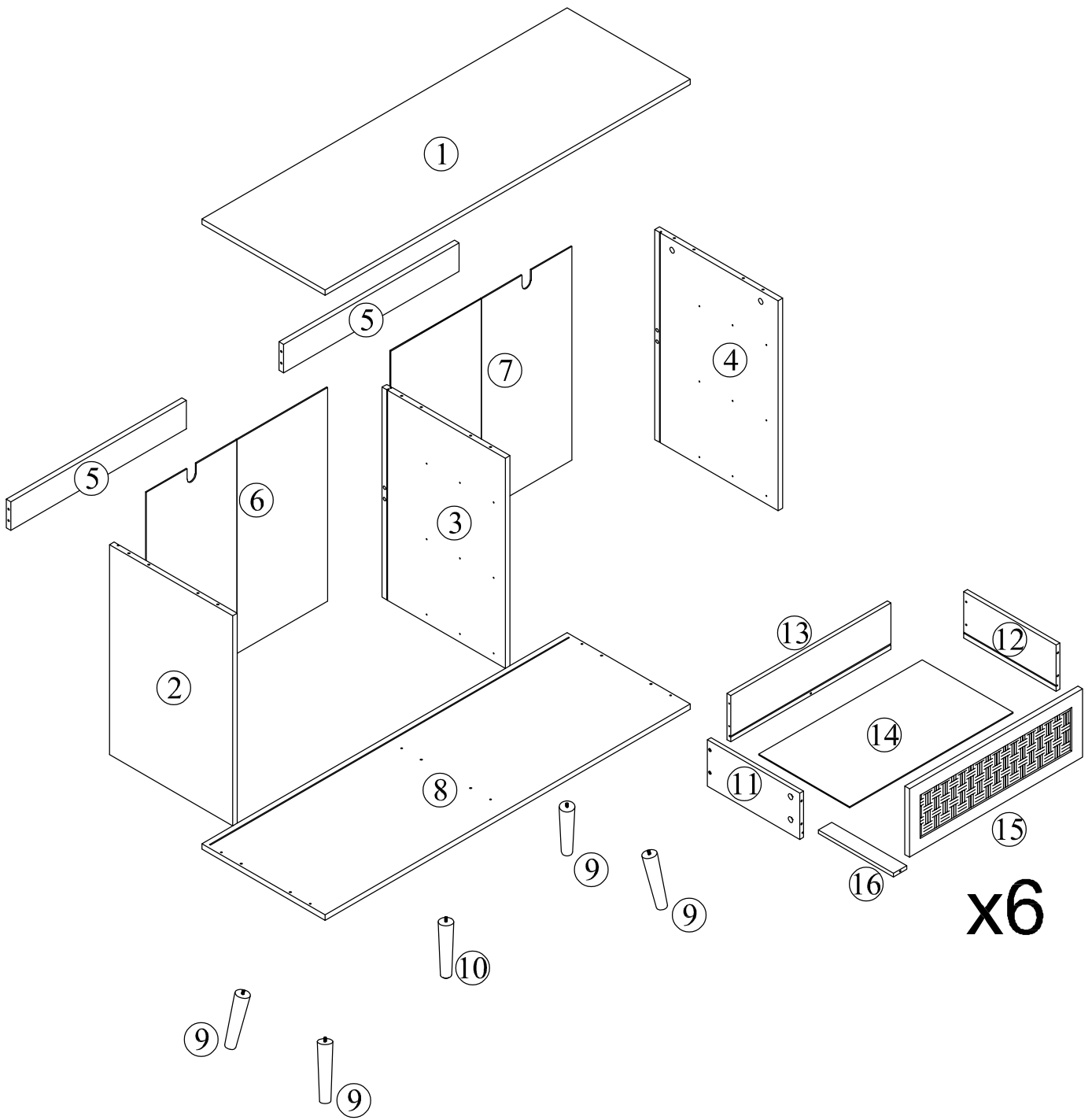


IMPORTANT:

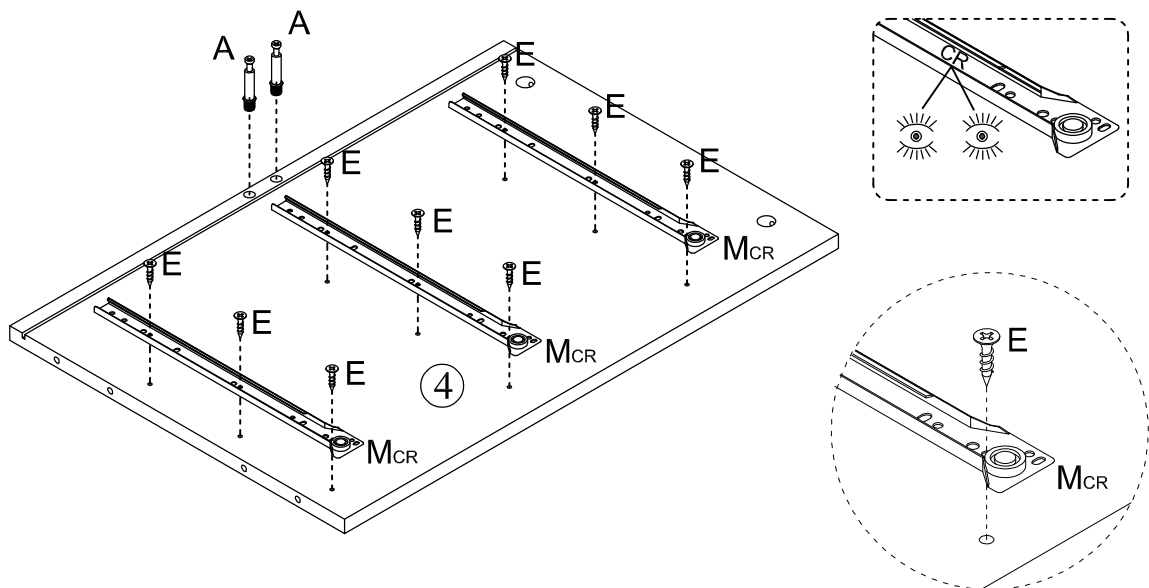
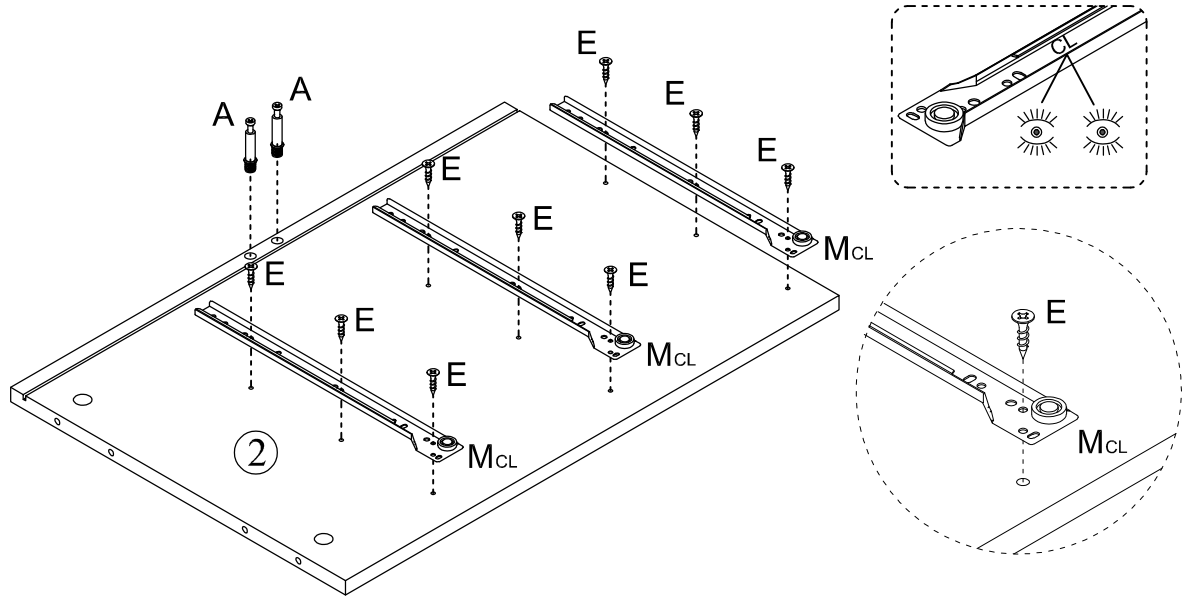
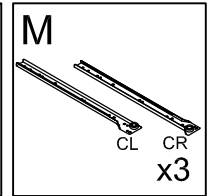
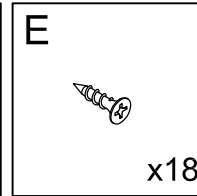
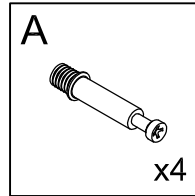
1. Do not tighten bolts / screws completely until all bolts / screws are lined up and inserted into holes.
2. Do not over tighten screws and bolts to avoid stripping.
3. Please use hand tools to assemble this product. Do not use power tools.

Included Accessories

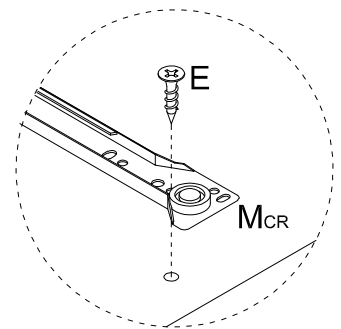
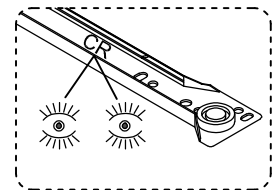
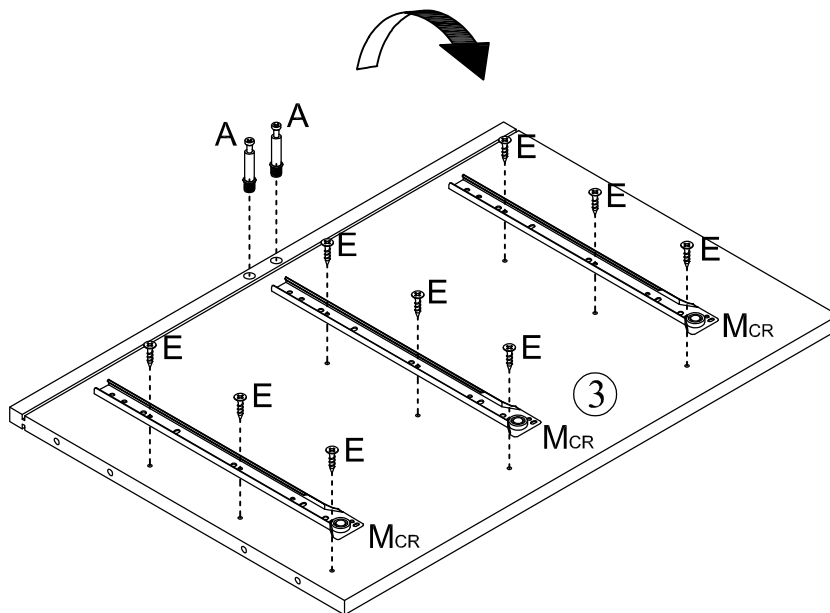
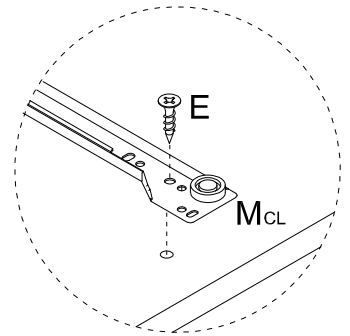
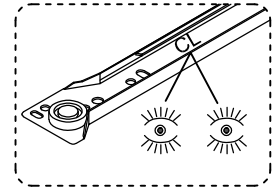
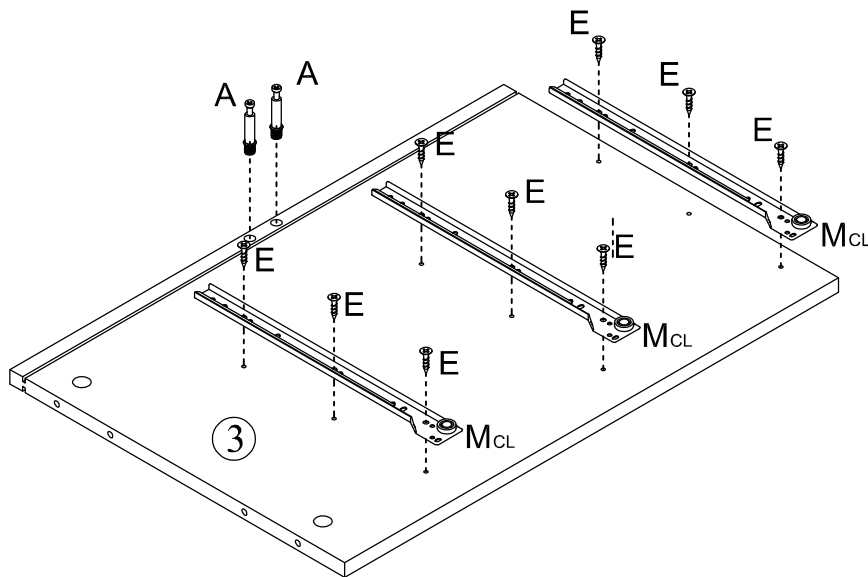
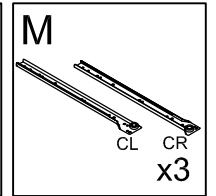
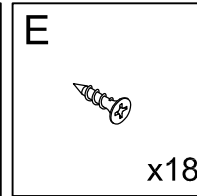
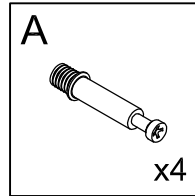
Code	Description	Qty
1	Cabinet Top	1
2	Left Side Panel	1
3	Division Panel	1
4	Right Side Panel	1
5	Back Stretcher	2
6	Left Back Panel	1
7	Right Back Panel	1
8	Bottom Panel	1
9	Feet	4
10	Middle Feet	1
11	Drawer Left Side Panel	6
12	Drawer Right Side Panel	6
13	Drawer Back Panel	6
14	Drawer Bottom Panel	6
15	Drawer Front Panel	6
16	Drawer Support Panel	6



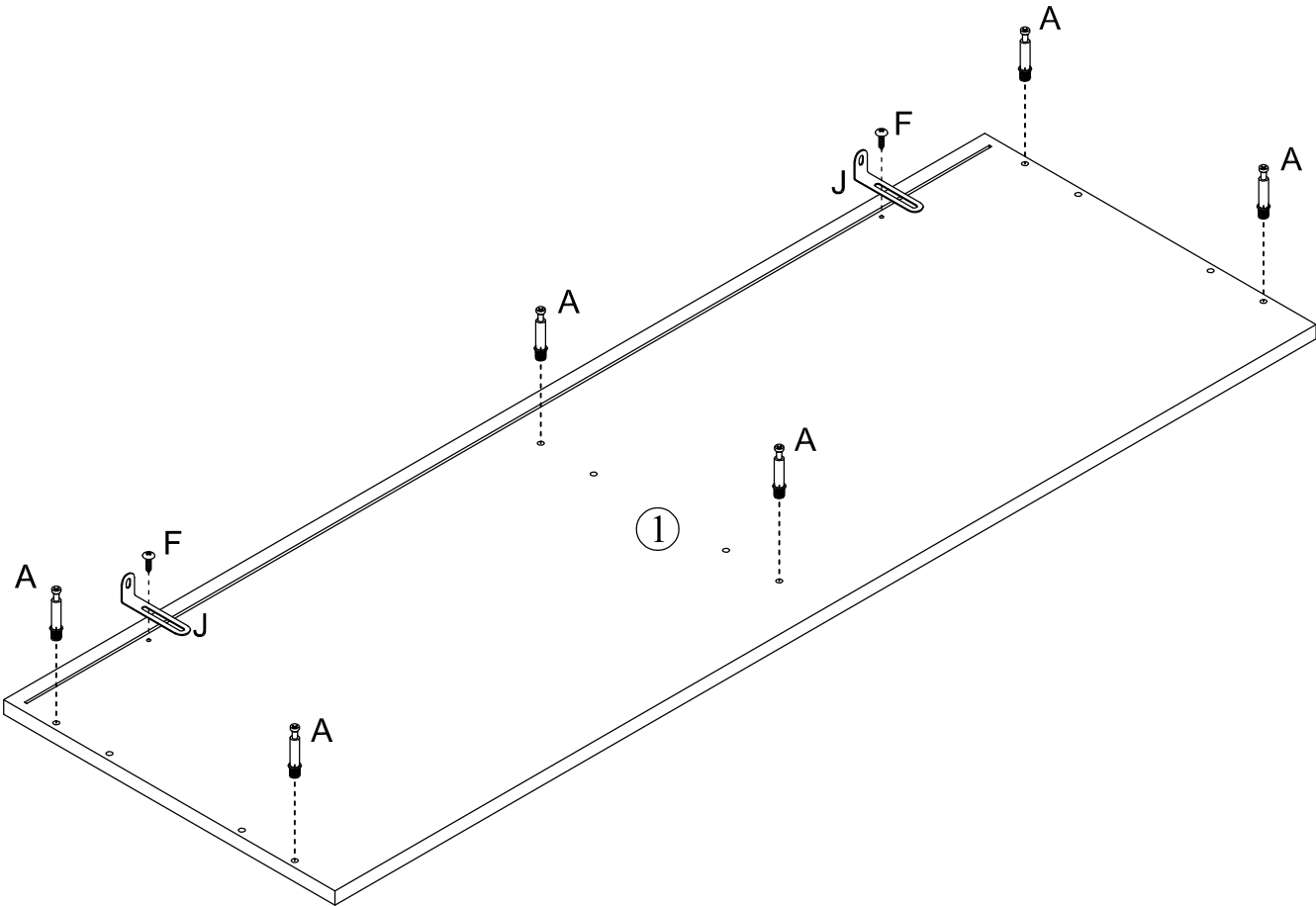
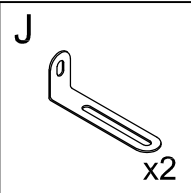
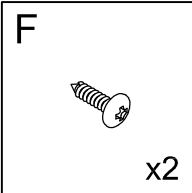
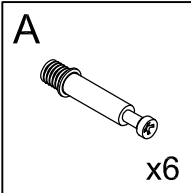
STEP 1



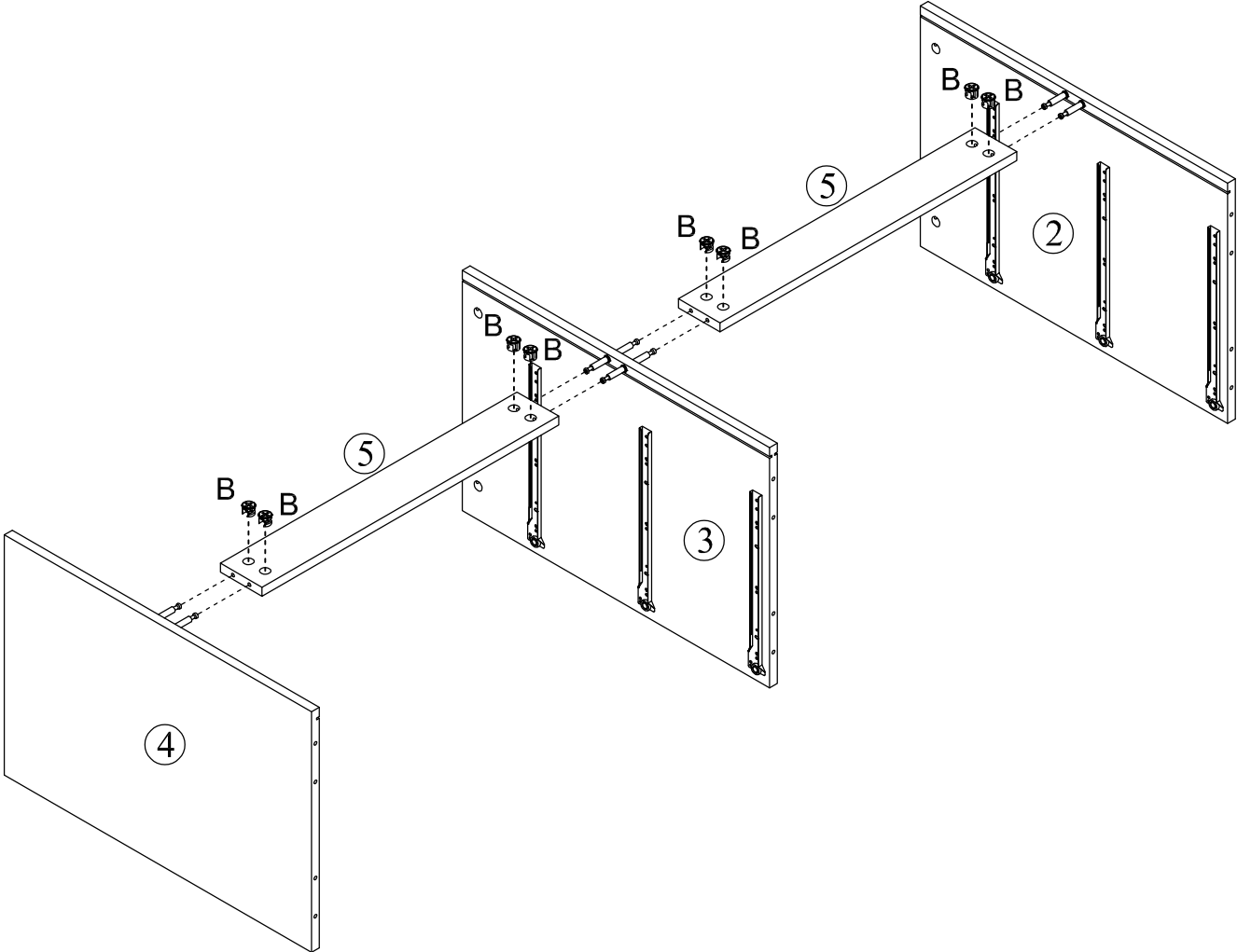
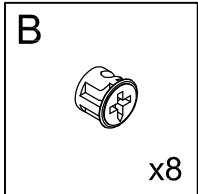
STEP 2



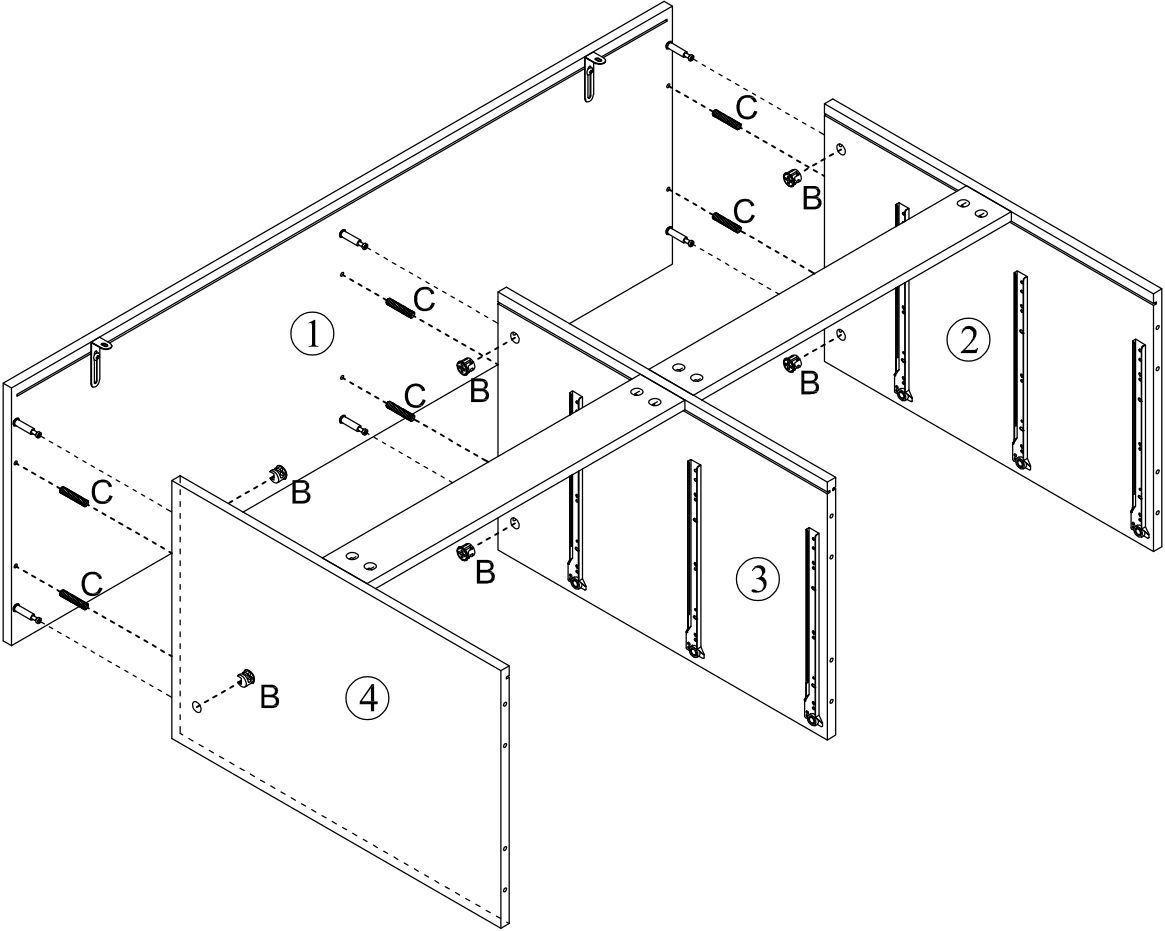
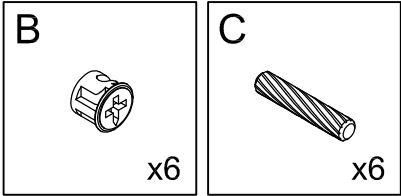
STEP 3



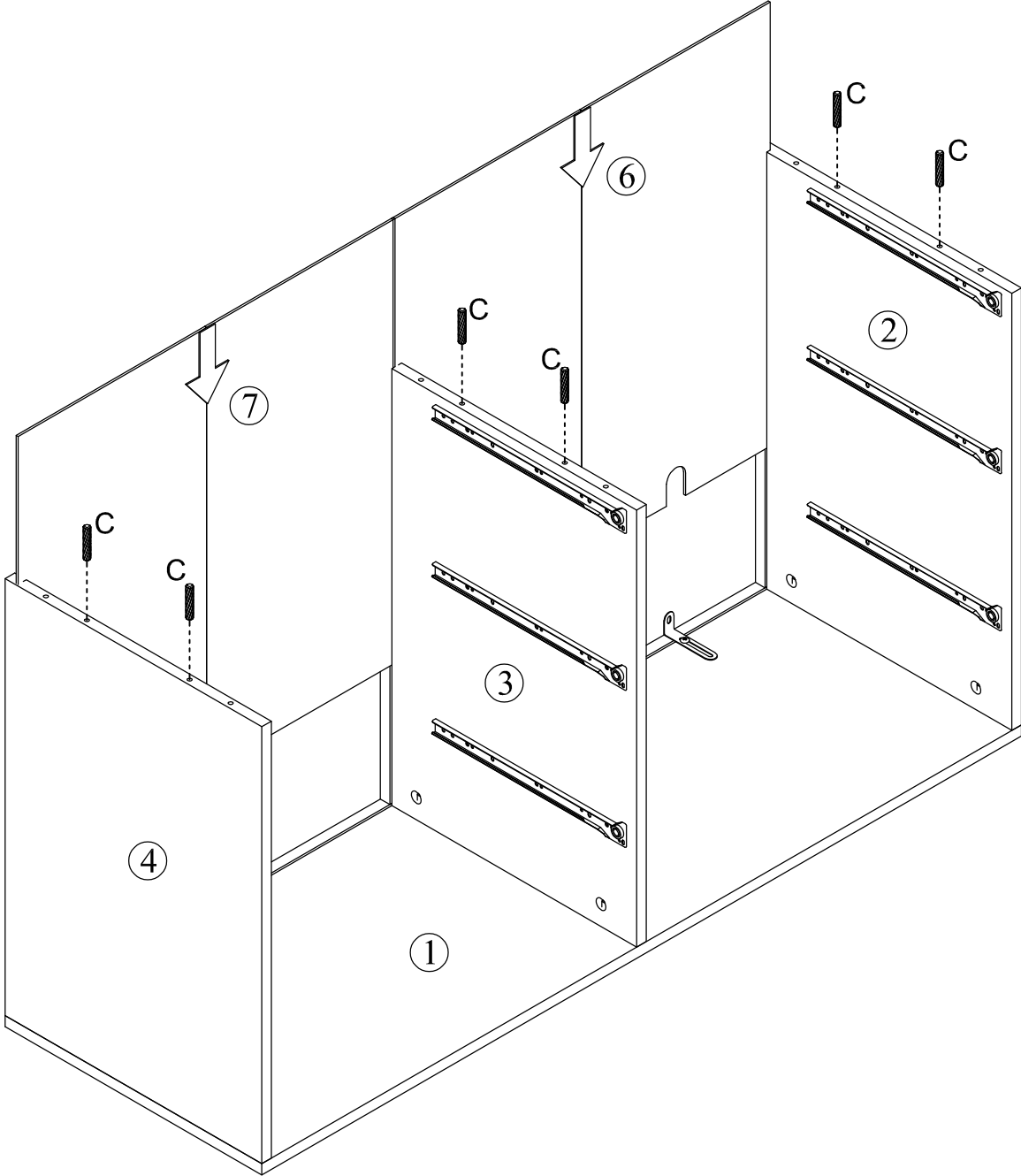
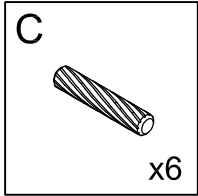
STEP 4



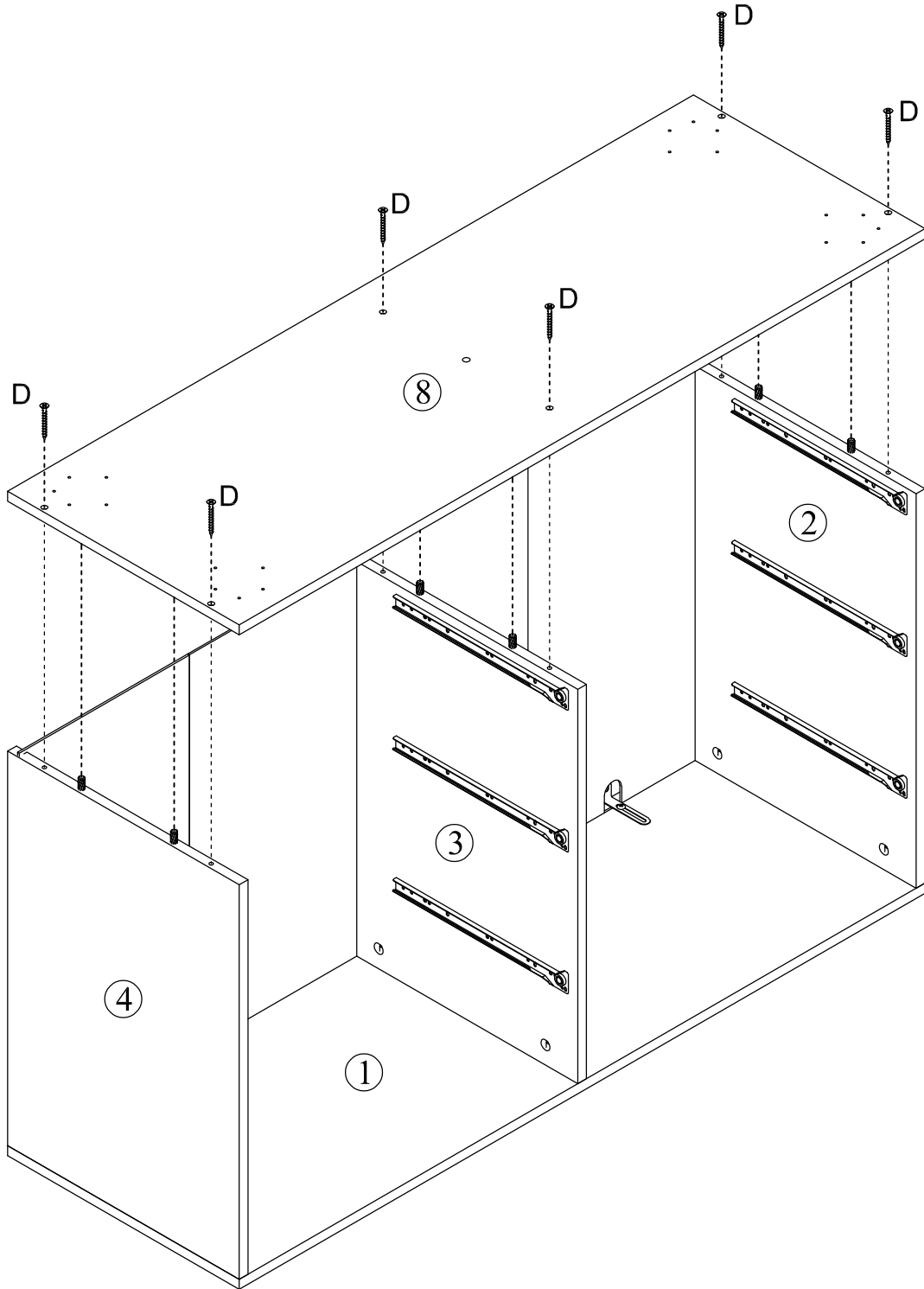
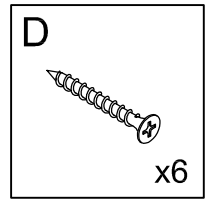
STEP 5



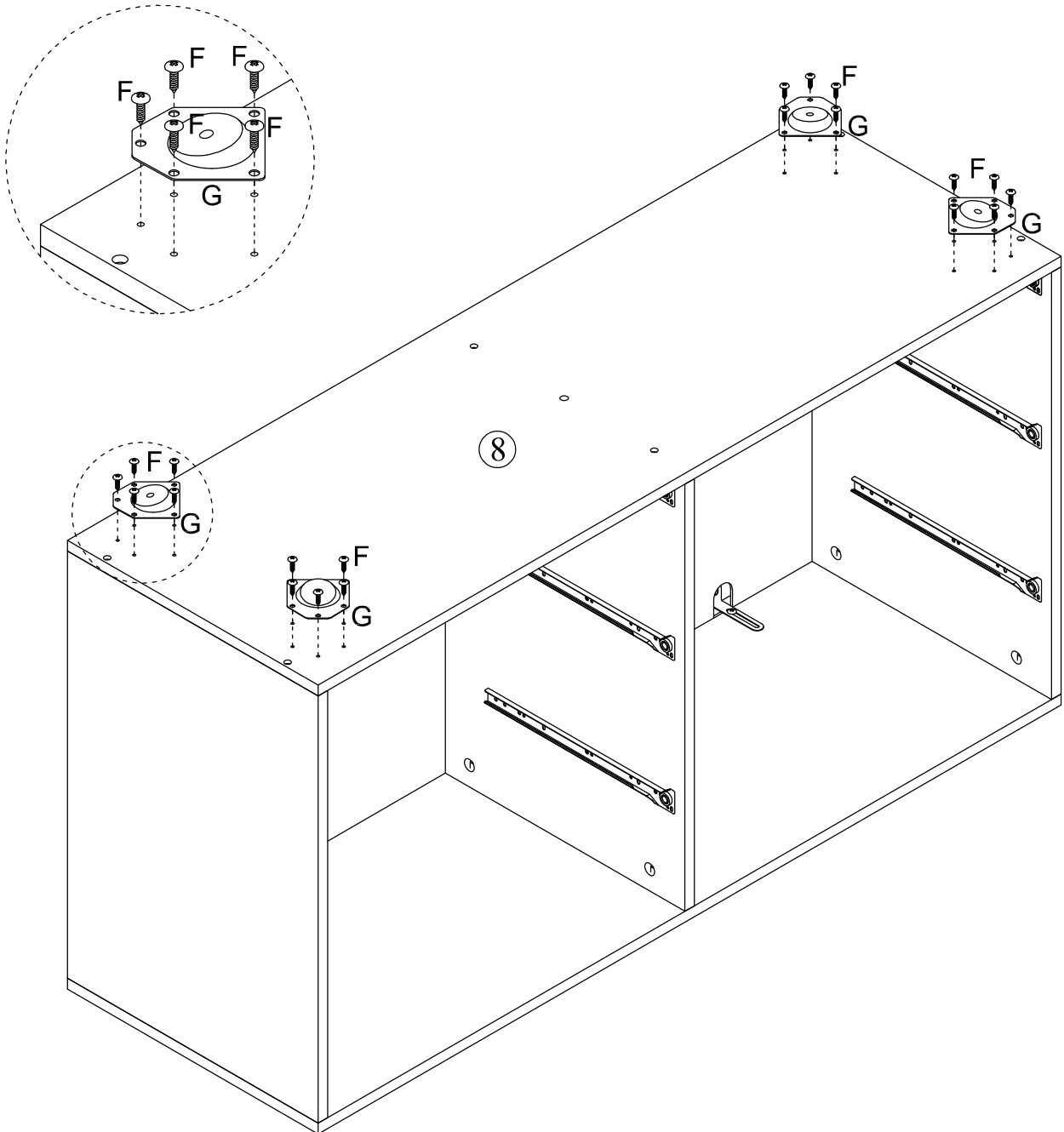
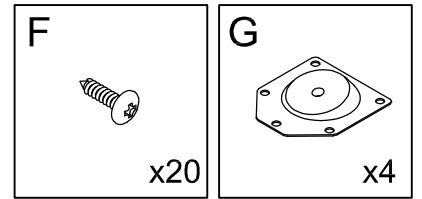
STEP 6



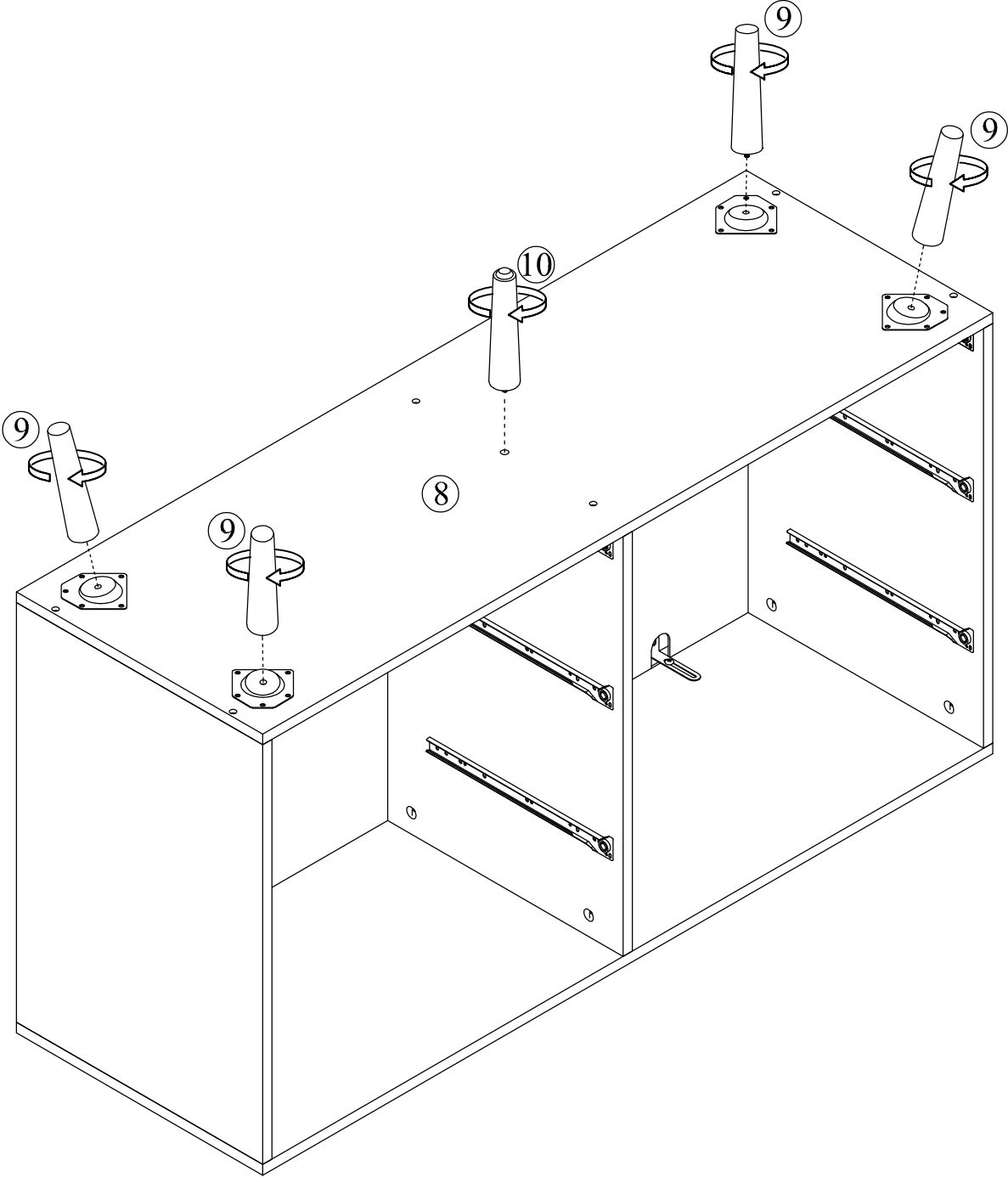
STEP 7



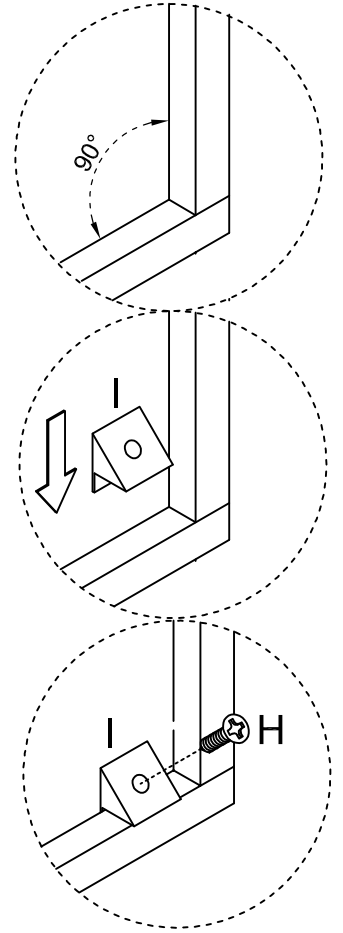
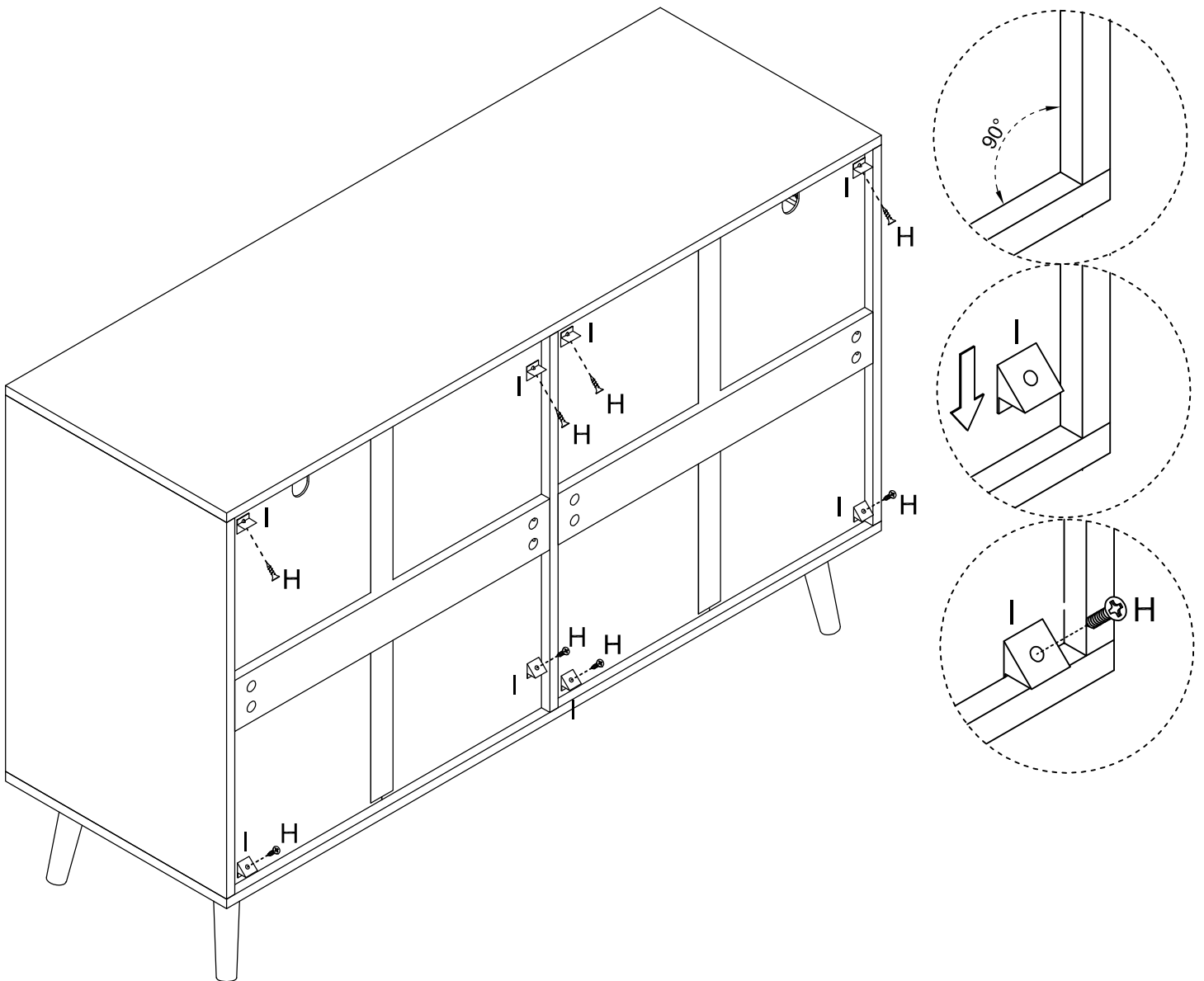
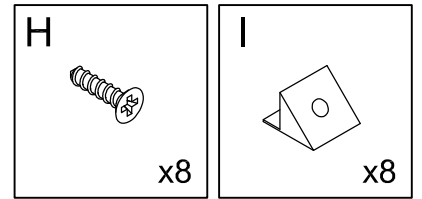
STEP 8



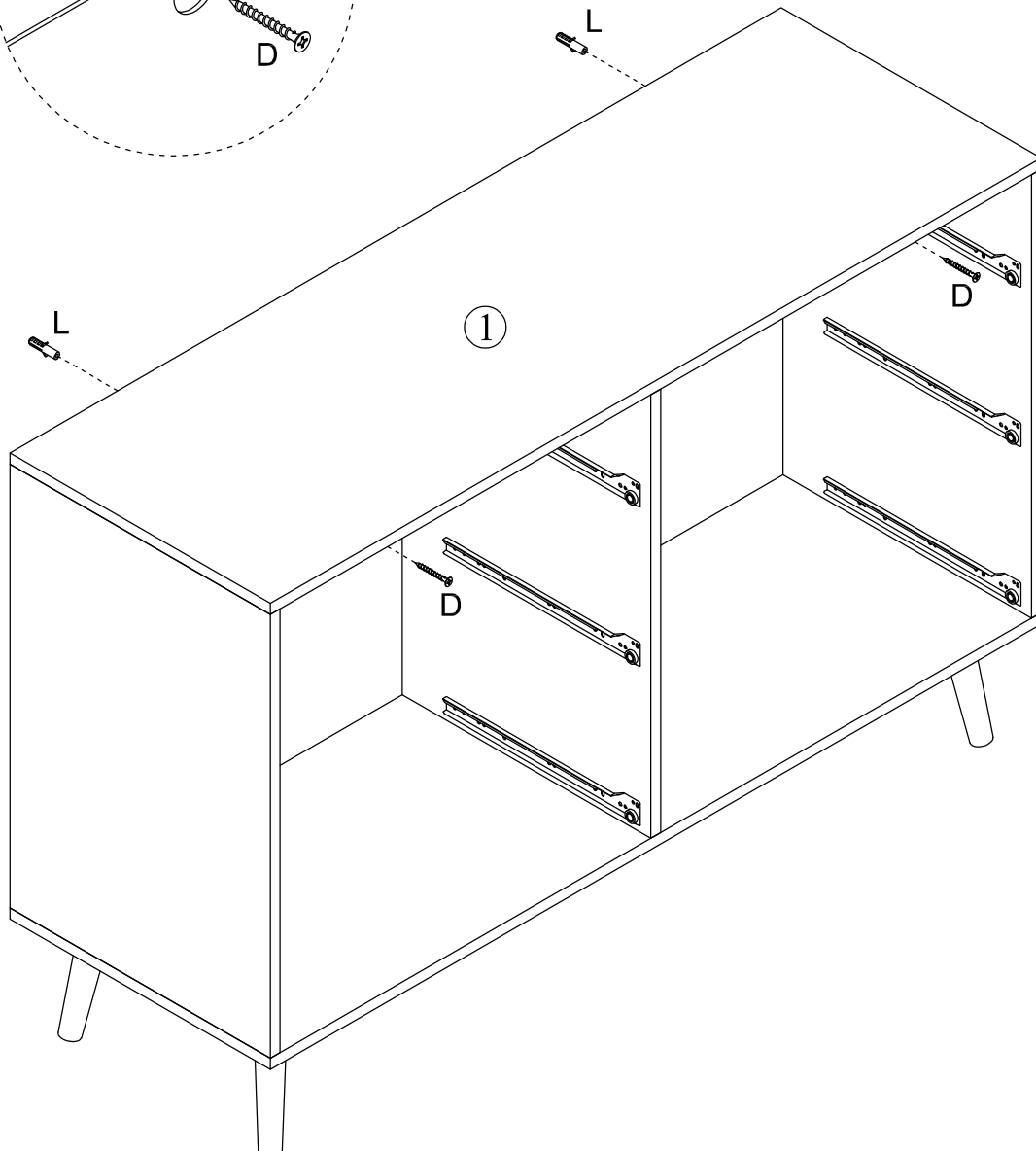
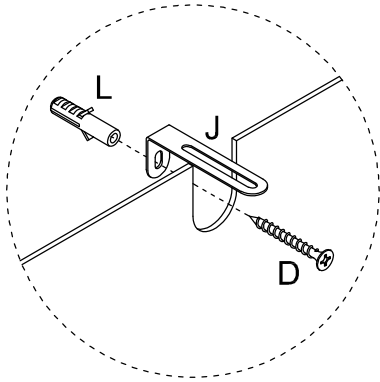
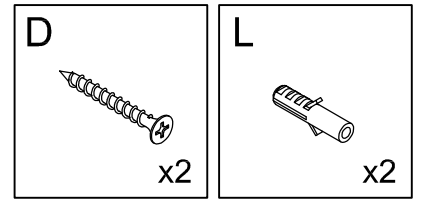
STEP 9



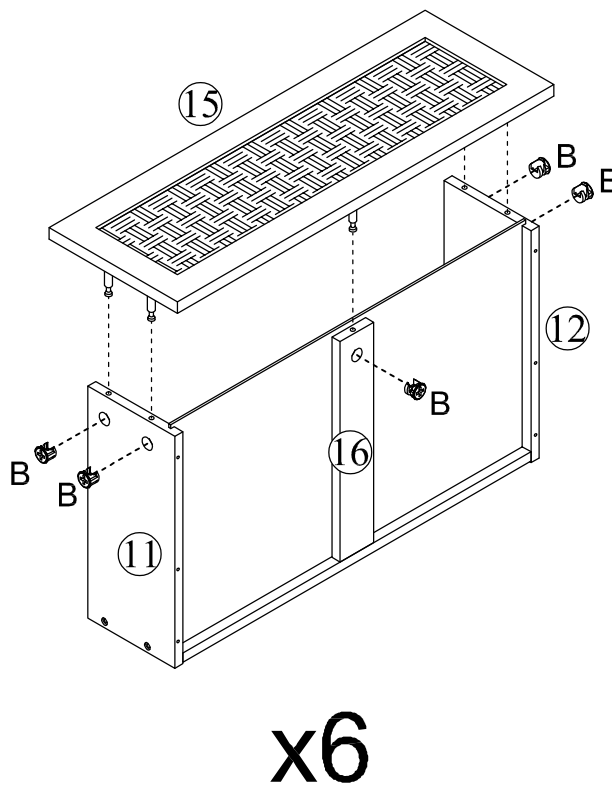
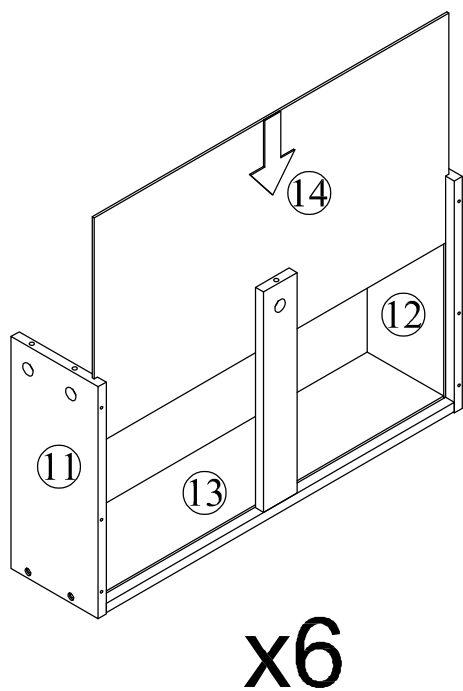
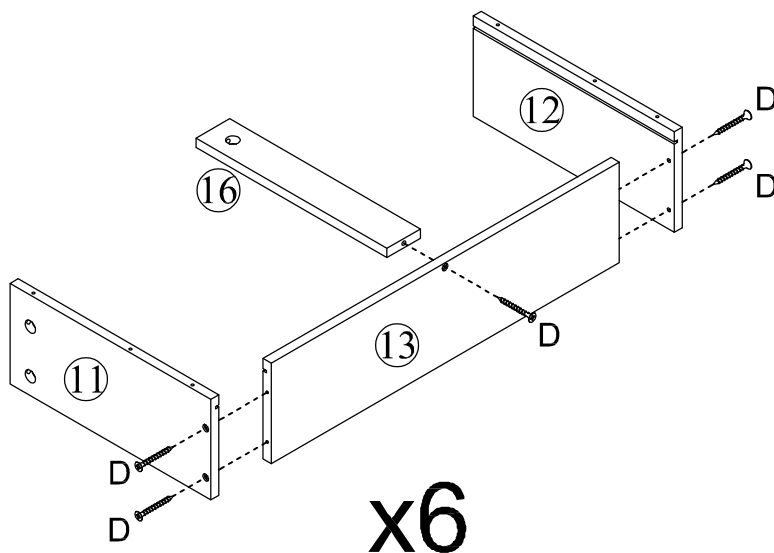
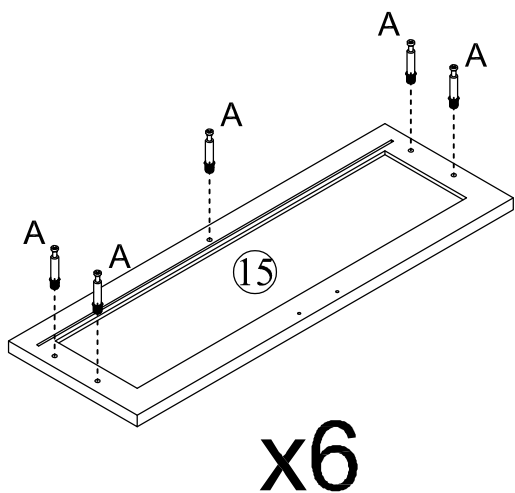
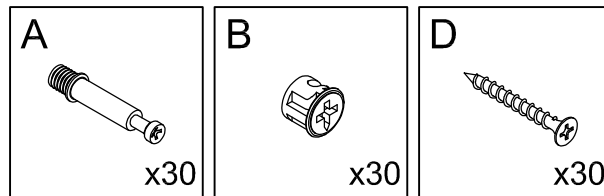
STEP 10



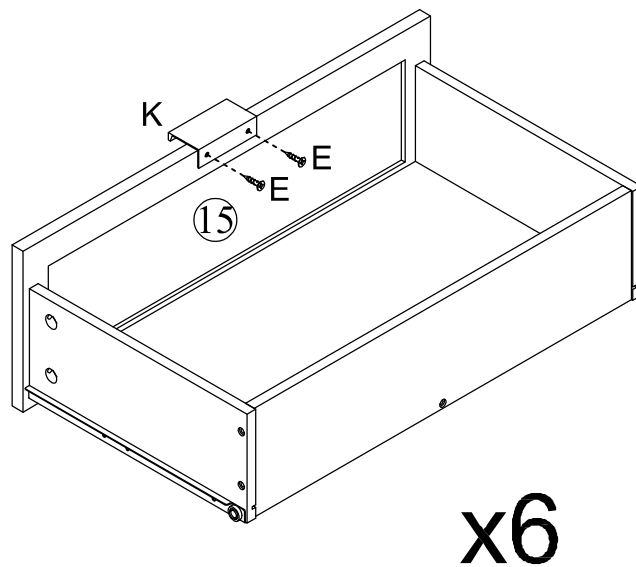
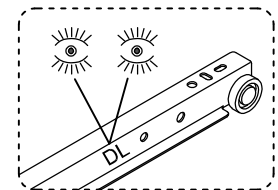
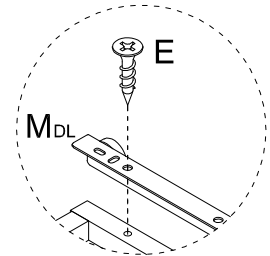
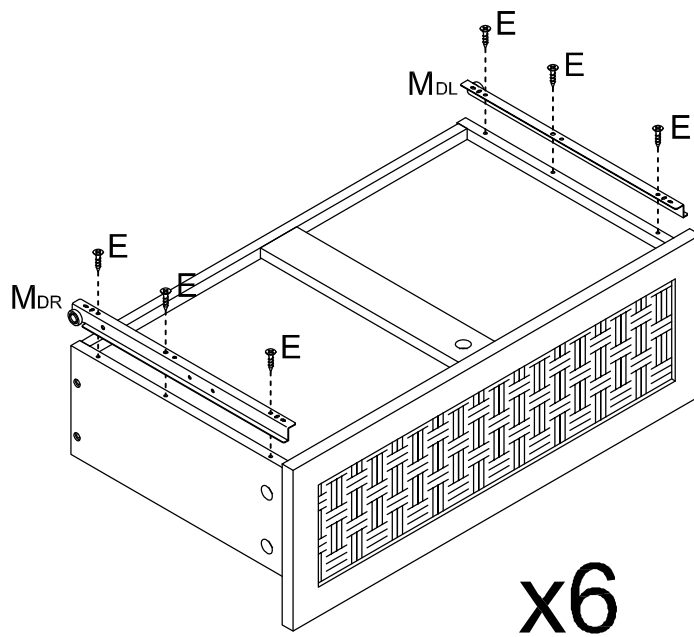
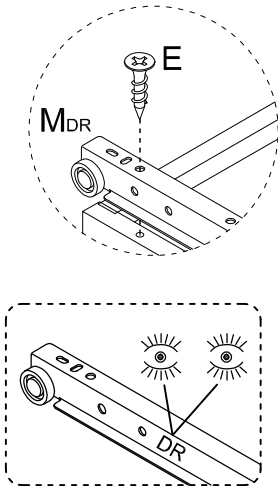
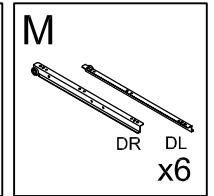
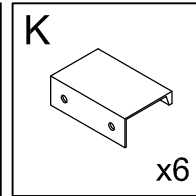
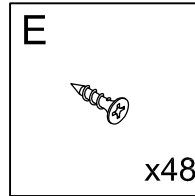
STEP 11



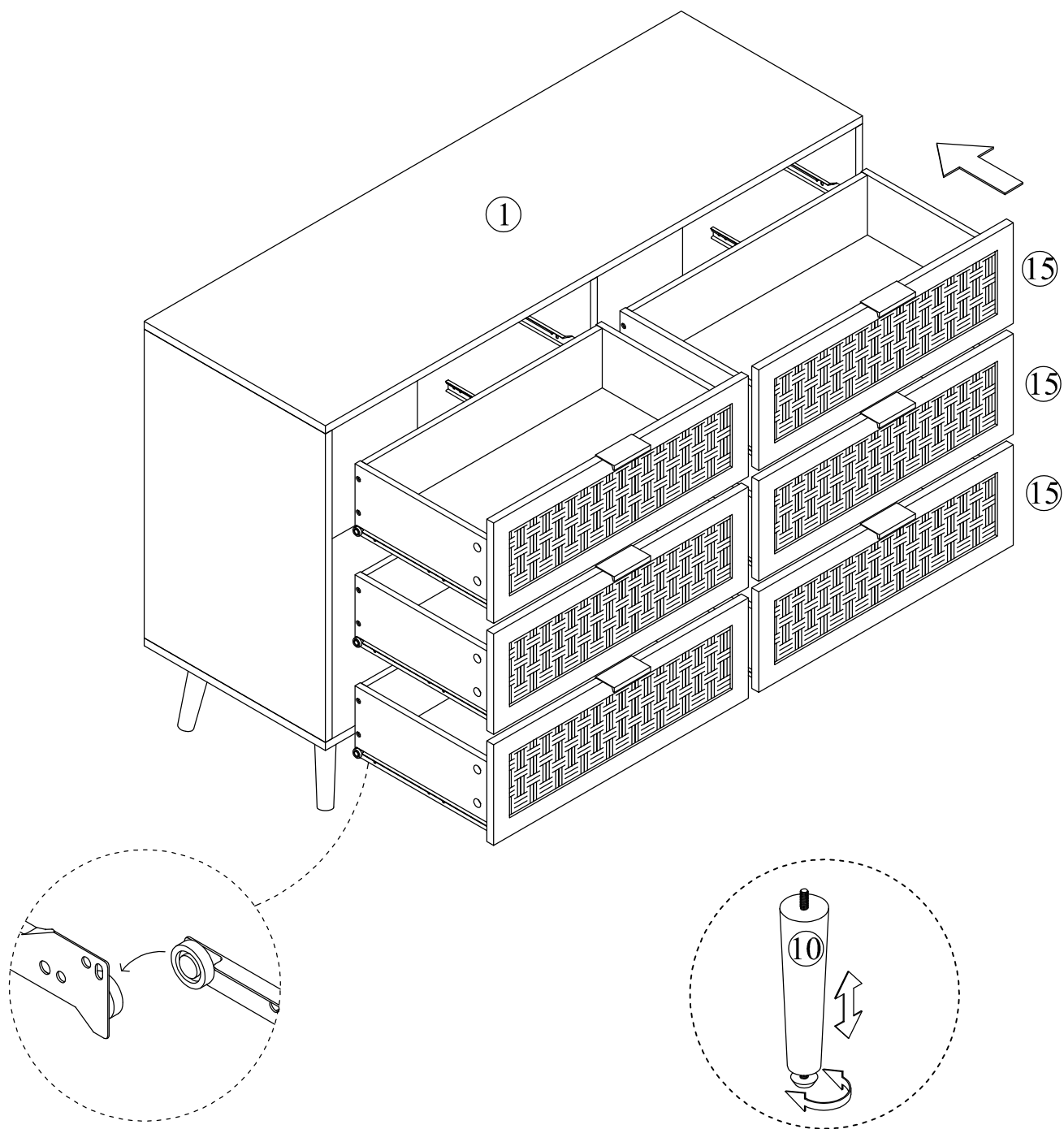
STEP 12



STEP 13



STEP 14



Proper Use

- DO NOT** use for commercial purposes
- DO NOT** use as a step stool or stand on table
- DO NOT** put hot serving liquid directly on the table top
- DO NOT** leave spilled liquid on the table top
- DO NOT** use table if damaged
- DO NOT** exceed weight limit
- DO NOT** make temporary repairs
- DO NOT** use outdoor

Dear Customer:

Thank you for purchasing our product, we wish you satisfy our service, if you have any further questions or any quality issues, please show the belows number and don't hesitate to contact our Customer Service People :

W688202304