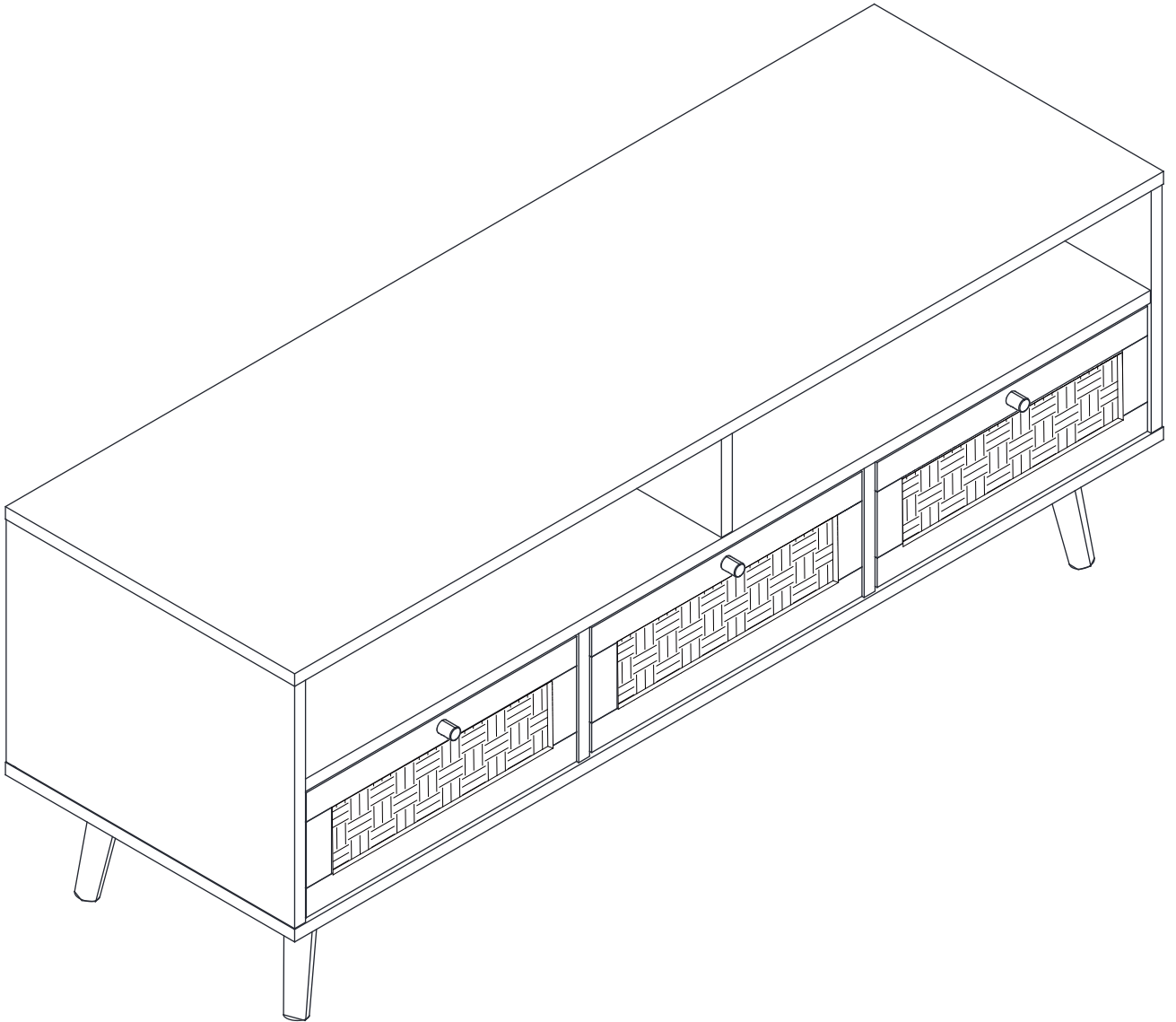


# Installation Instruction



Product name

---

**TV Stand**

Ver.1.0 20221118

# Assembling

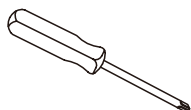
Estimated time for assembly



**45 : 00**

What you need

- Use the packaging carton as a working surface to prevent product damage during assembly
- Phillips head screwdriver



Weight Limitation



**60**

lbs table top

**22**

lbs per shelf

**11**

lbs per drawer

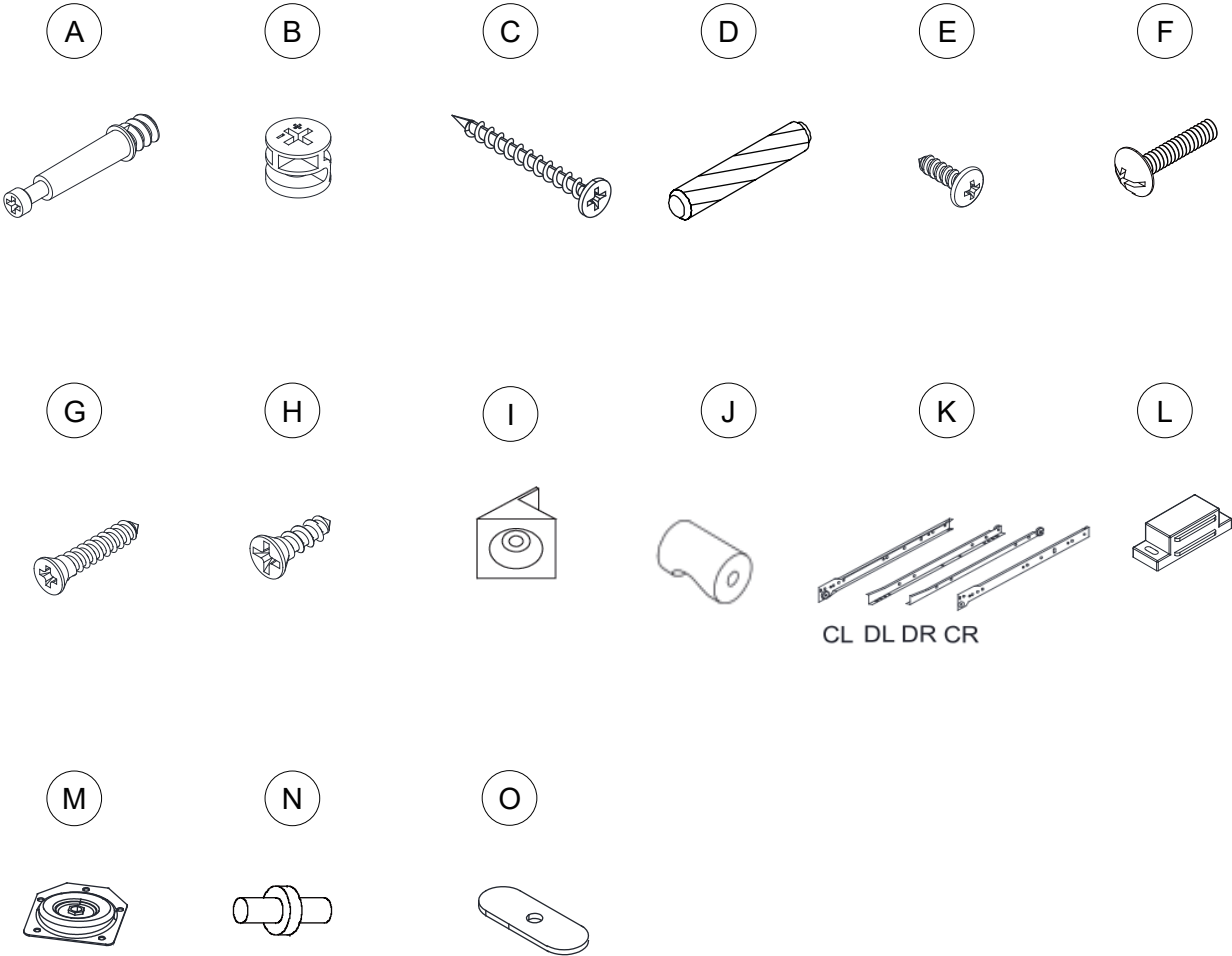


2 PERSONS

# What's included

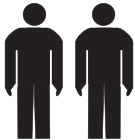
| Code | Description            | Qty |
|------|------------------------|-----|
| A    | Cam Bolt M6X35MM       | 18  |
| B    | Cam Lock 15X10MM       | 18  |
| C    | Screw M4X35MM          | 14  |
| D    | Wooden Dowel M6X30MM   | 24  |
| E    | Screw M4X14MM          | 20  |
| F    | Bolt M4X18MM           | 3   |
| G    | Screw M3X14MM          | 8   |
| H    | Screw M3×12MM          | 14  |
| I    | Plastic corner support | 4   |
| J    | Handle                 | 3   |
| K    | Slide Sets             | 1   |
| L    | Magnetic Door Catcher  | 2   |
| M    | Metal Pin              | 4   |
| N    | Metal Support          | 4   |
| O    | Metal Plate            | 2   |

# The Hardware



**IMPORTANT:**

1. Do not tighten bolts / screws completely until all bolts / screws are lined up and inserted into holes.
2. Do not over tighten screws and bolts to avoid stripping.
3. Please use hand tools to assemble this product. Do not use power tools.



2 PERSONS

# Included Accessories

---

| Code | Description                | Qty |
|------|----------------------------|-----|
| 1    | Cabinet Top                | 1   |
| 2    | Left Side Panel            | 1   |
| 3    | Right Side Panel           | 1   |
| 4    | Bottom Panel               | 1   |
| 5    | Middle Panel               | 1   |
| 6    | Upper Division Panel       | 1   |
| 7    | Left Lower Division Panel  | 1   |
| 8    | Right Lower Division Panel | 1   |
| 9    | Back panel                 | 1   |
| 10   | Feet                       | 4   |
| 11   | Middle Feet                | 1   |
| 12   | Left Door                  | 1   |
| 13   | Right Door                 | 1   |

---

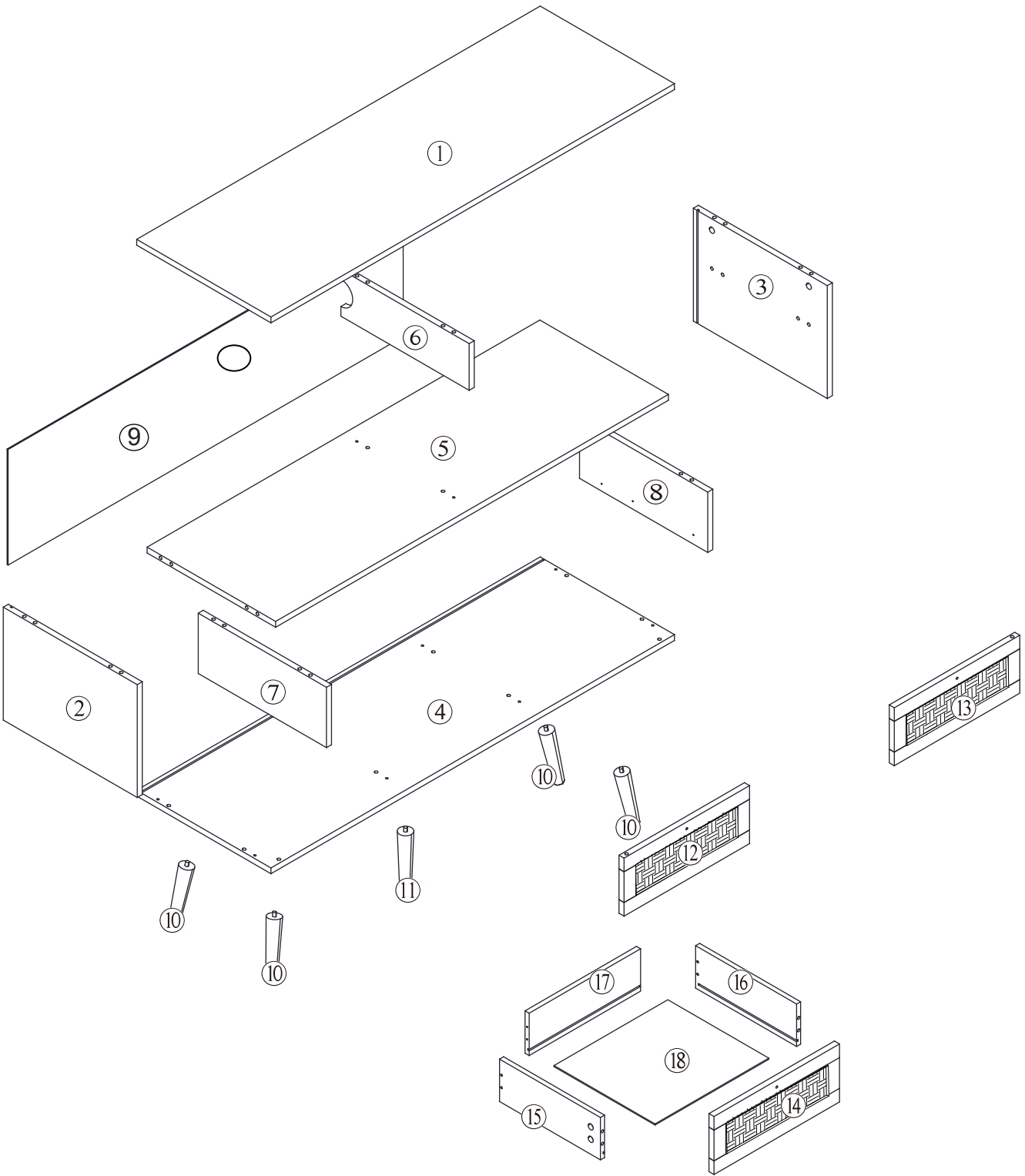
# Included Accessories

---

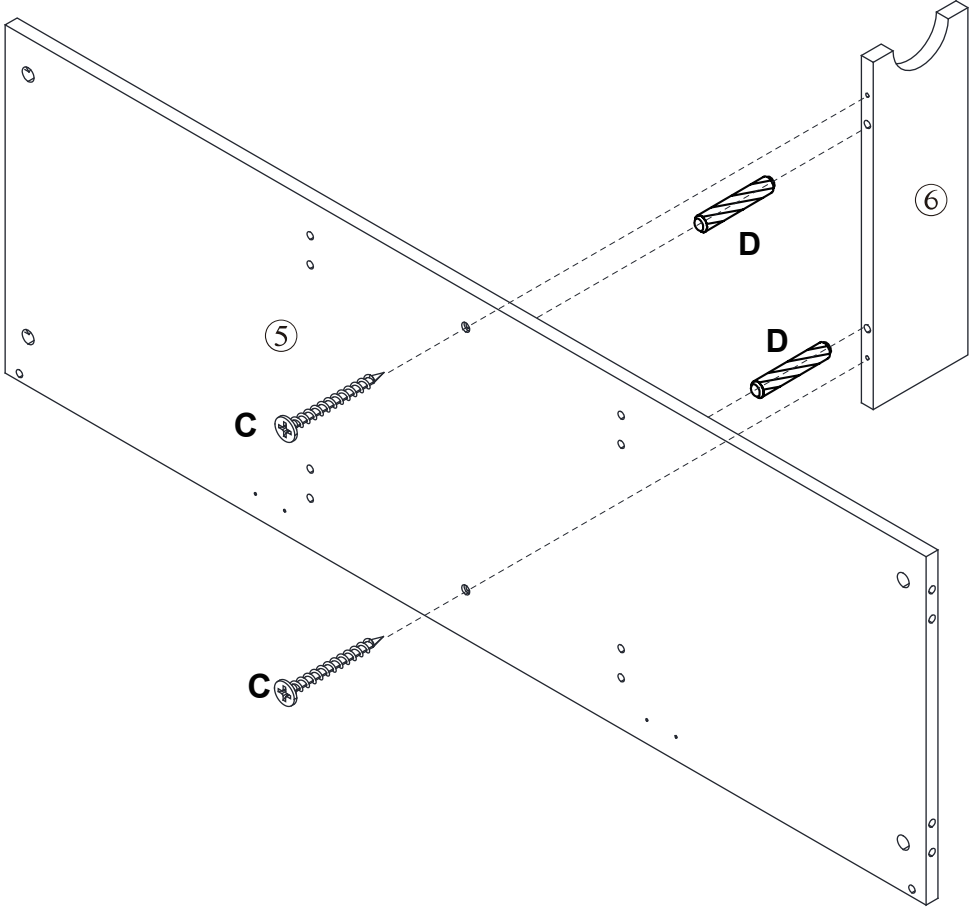
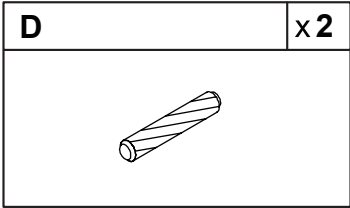
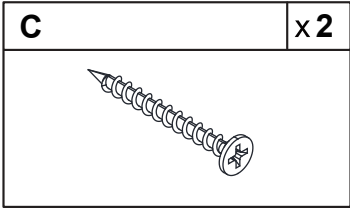
| Code | Description             | Qty |
|------|-------------------------|-----|
| 14   | Drawer Front Panel      | 1   |
| 15   | Drawer Left Side Panel  | 1   |
| 16   | Drawer Right Side Panel | 1   |
| 17   | Drawer Back Panel       | 1   |
| 18   | Drawer Bottom Panel     | 1   |

---

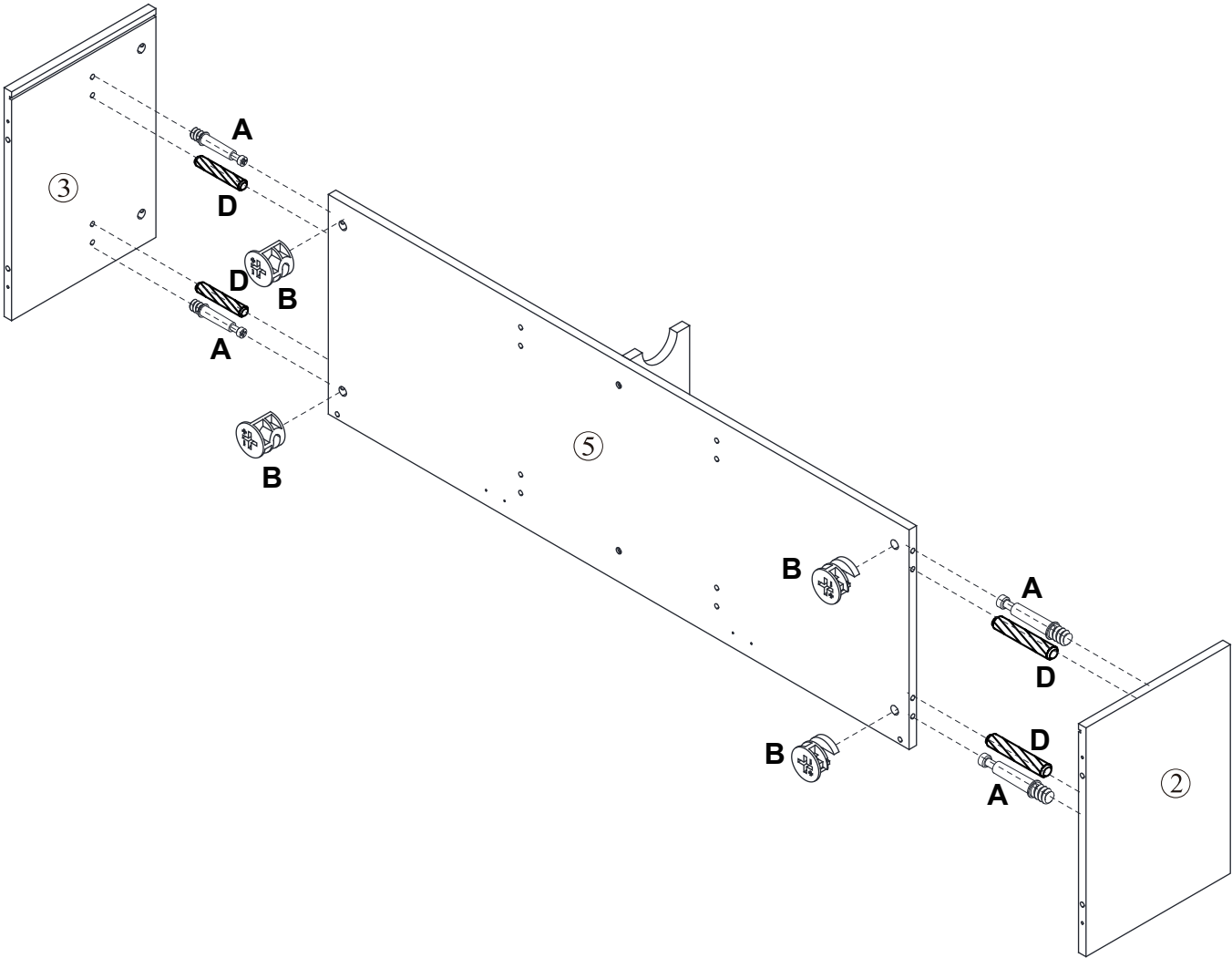
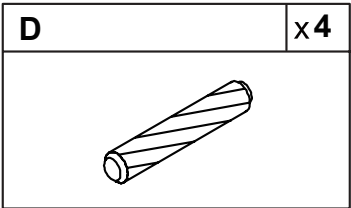
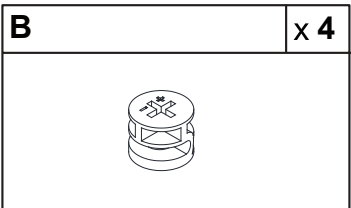
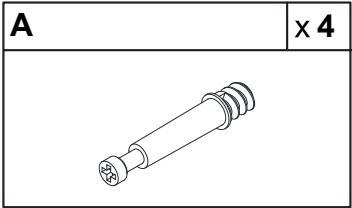
# The Accessoriess



# Step 1

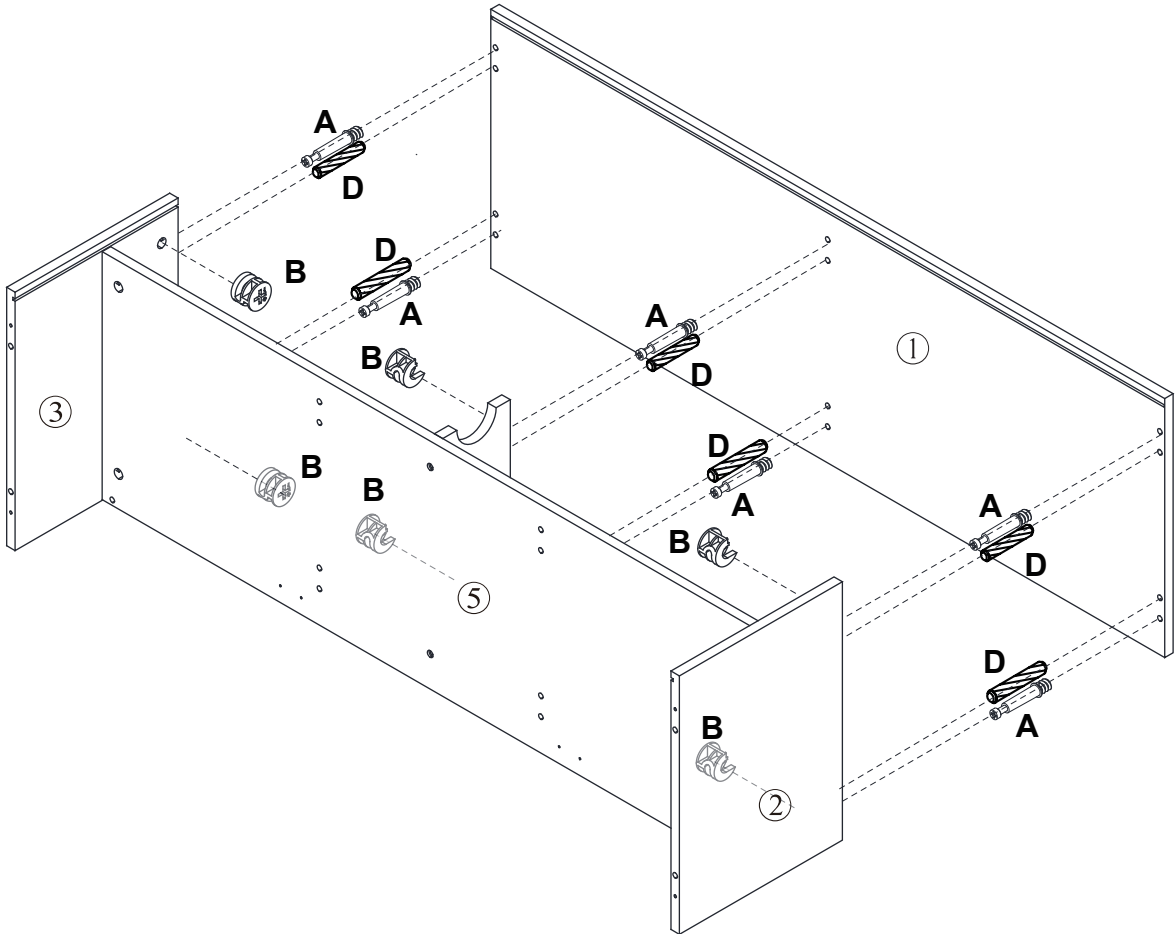
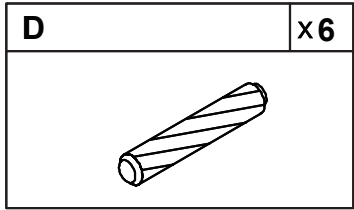
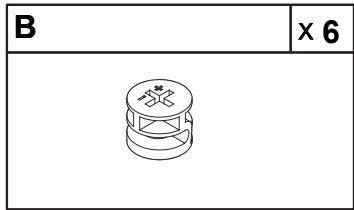
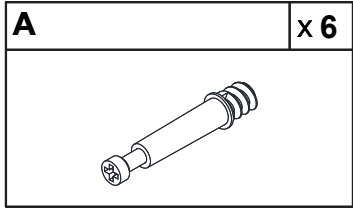


# Step 2

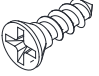





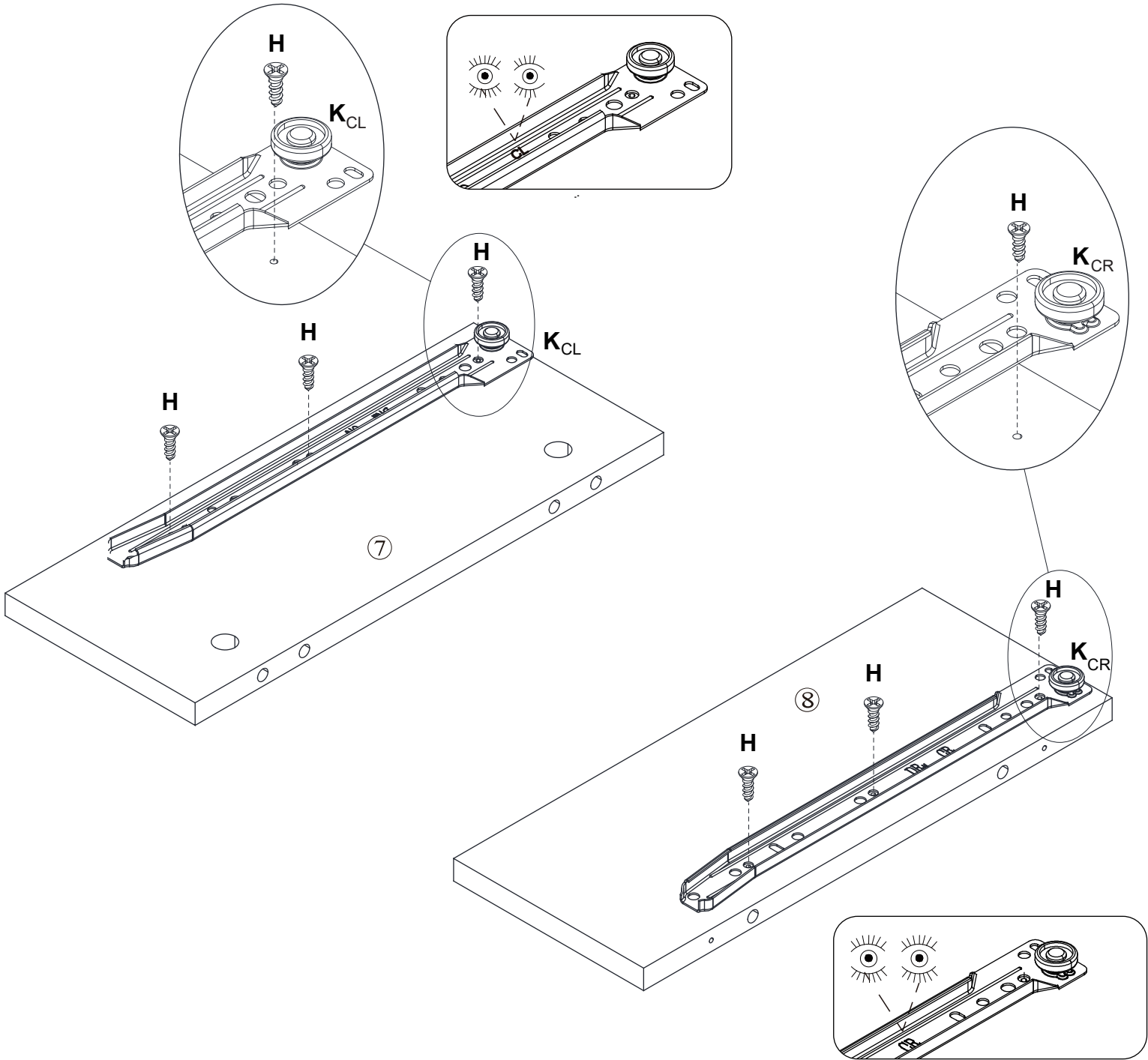
# Step 3



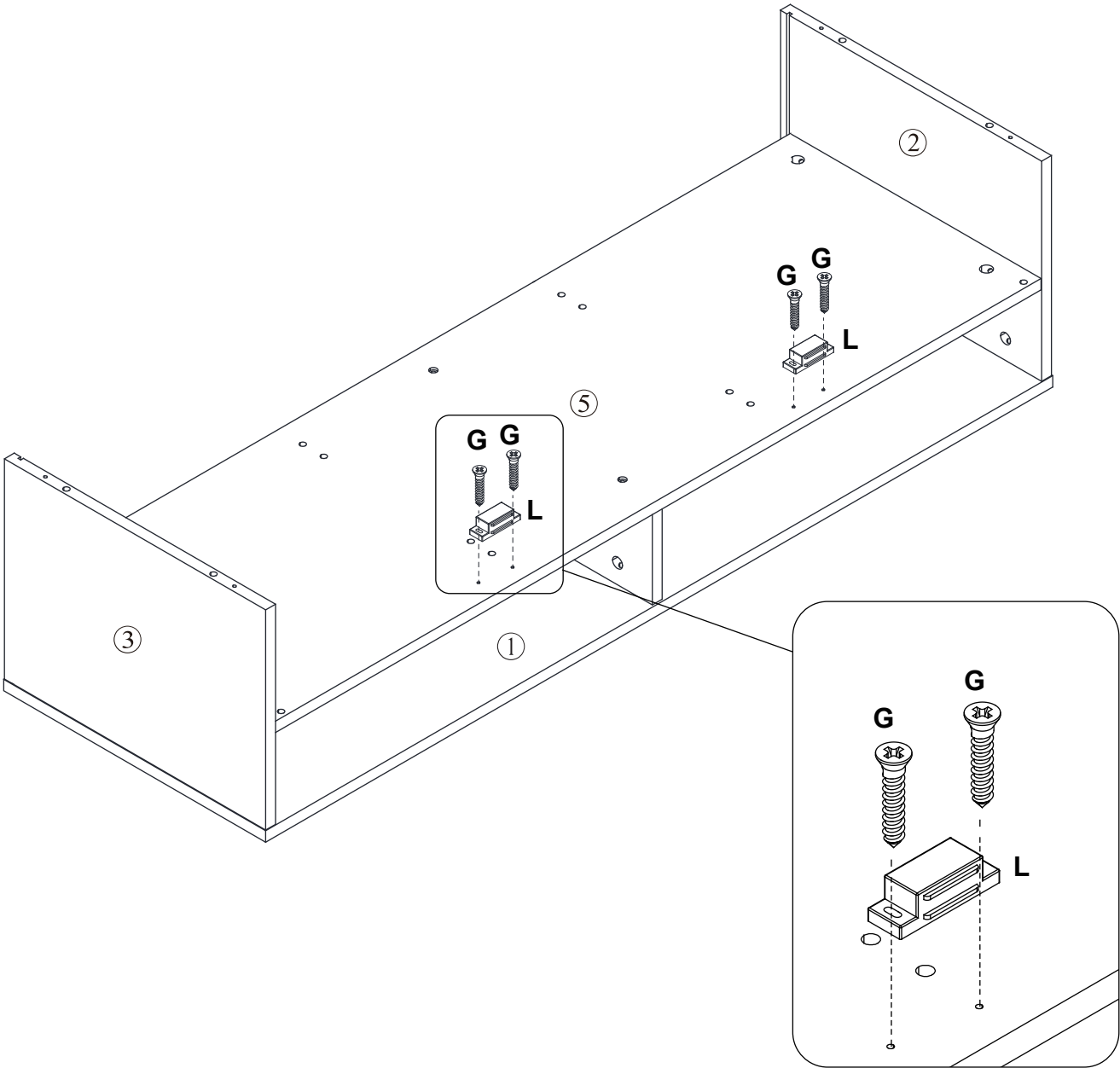
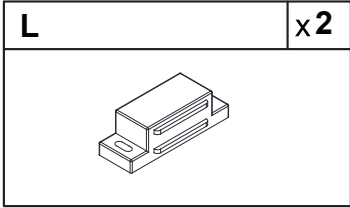
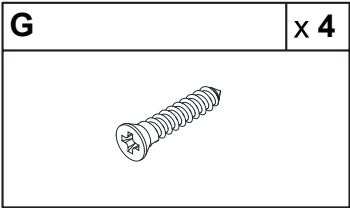
# Step 4

|   |           |
|---|-----------|
| <b>H</b>  | <b>x6</b> |
|  |           |

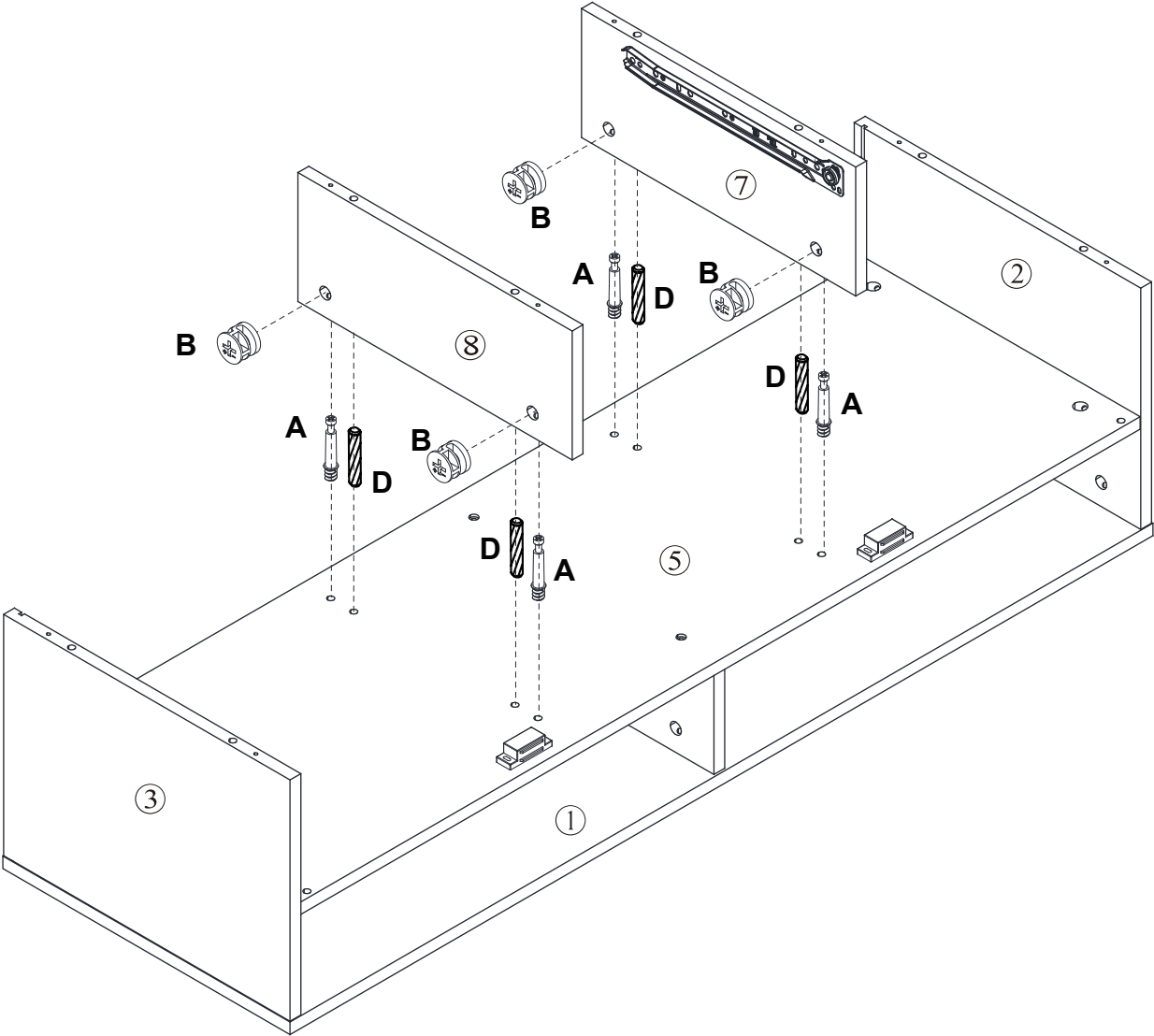
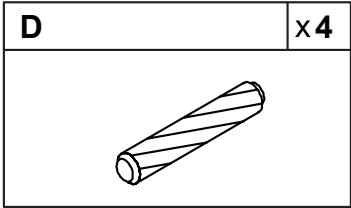
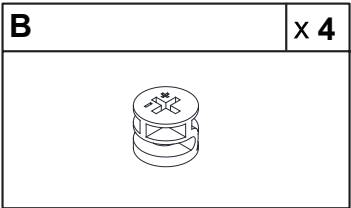
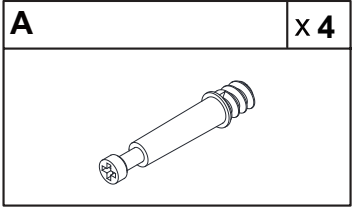
|   |           |
|---|-----------|
| <b>K</b>  | <b>x1</b> |
| <br>CL DL DR CR |           |



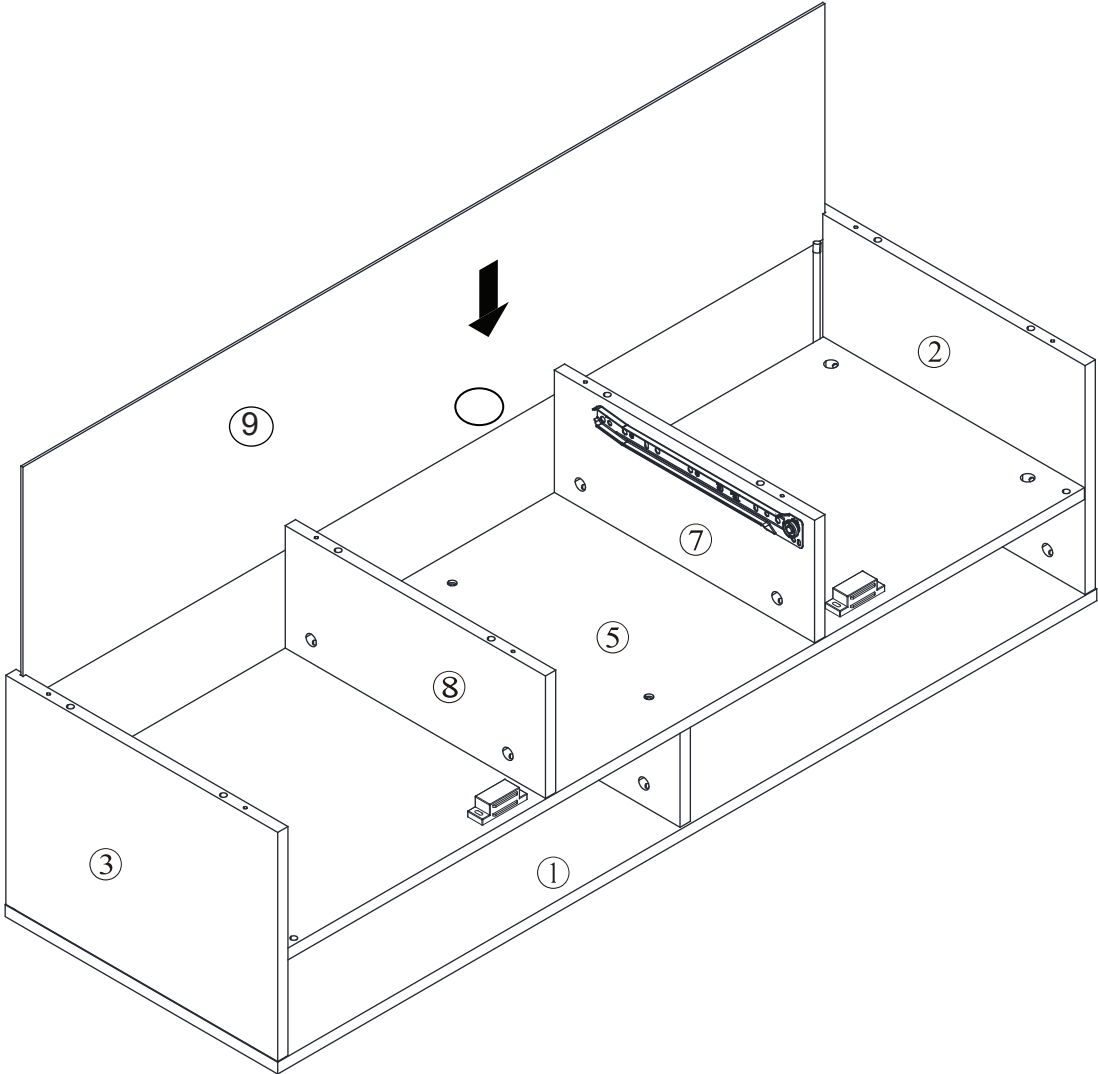
# Step 5



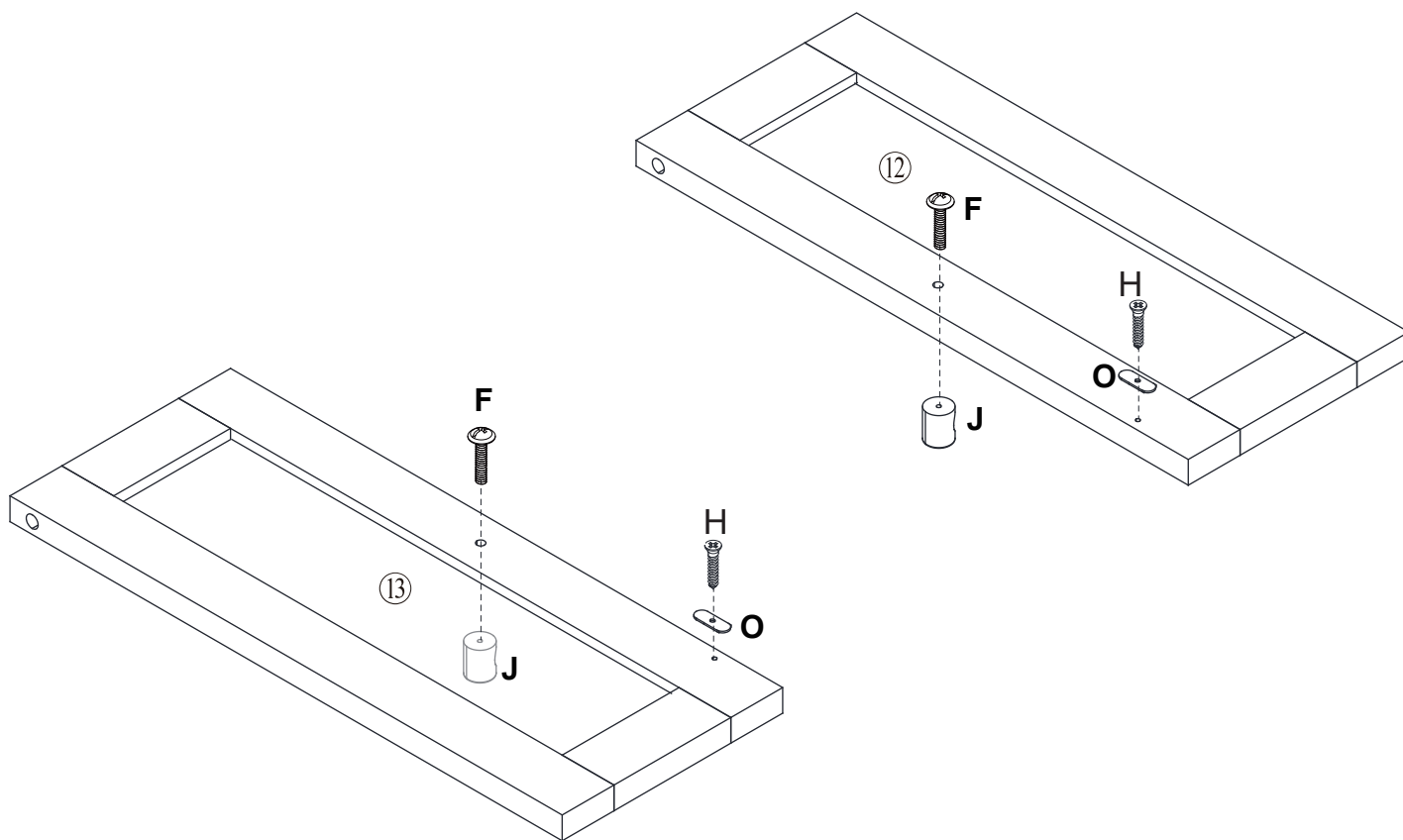
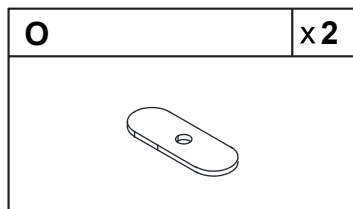
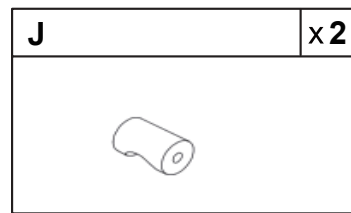
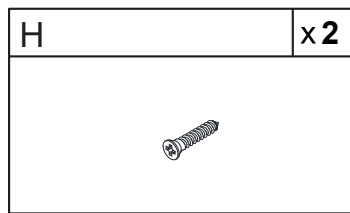
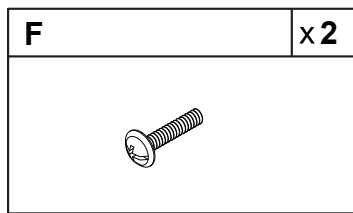
# Step 6



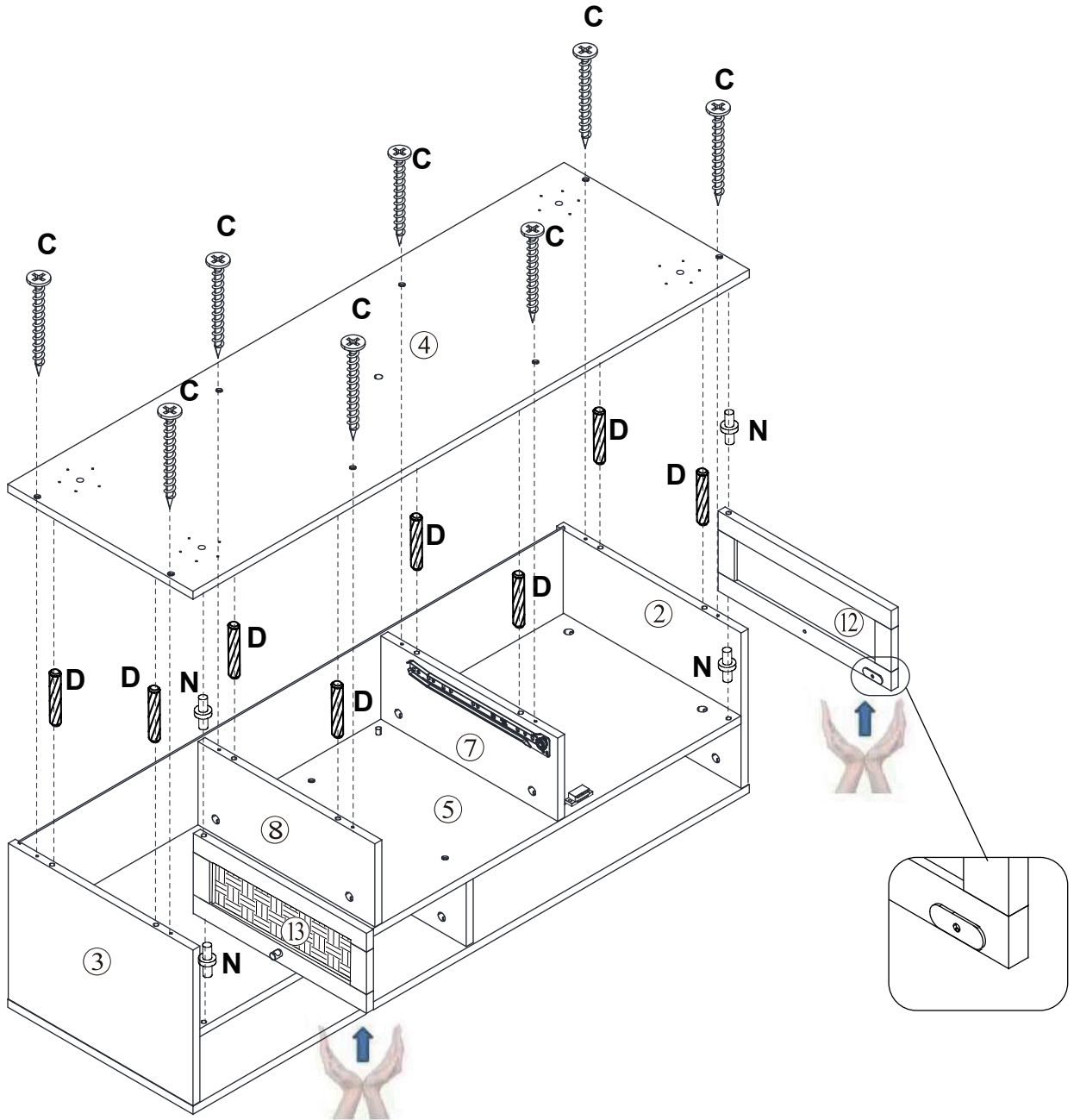
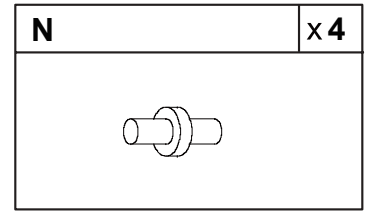
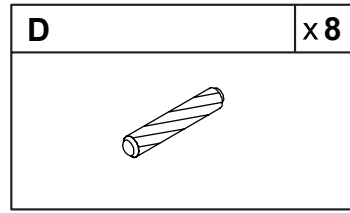
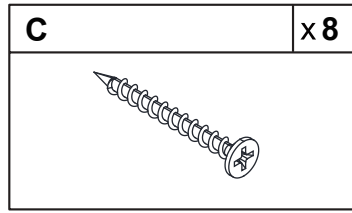
# Step 7



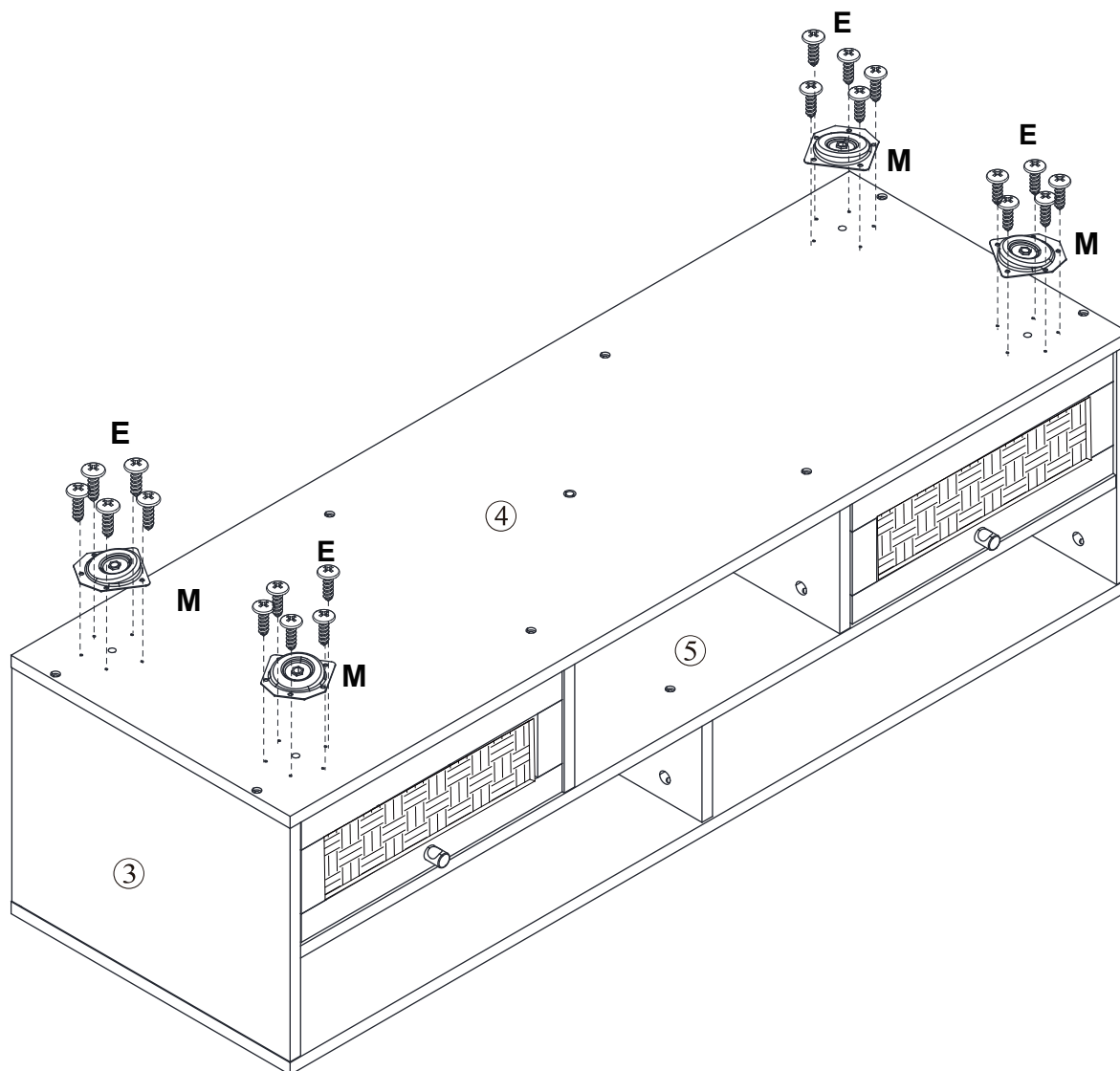
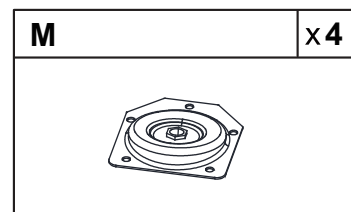
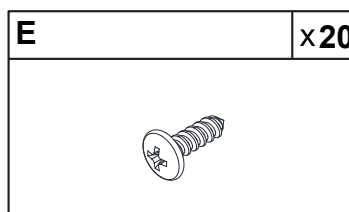
# Step 8



# Step 9

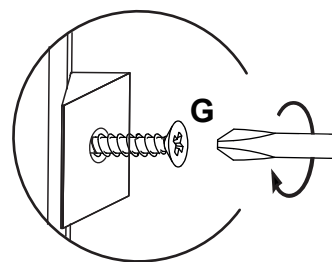
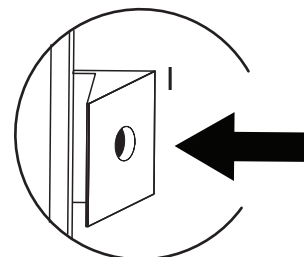
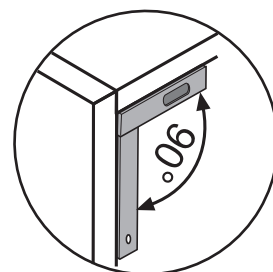
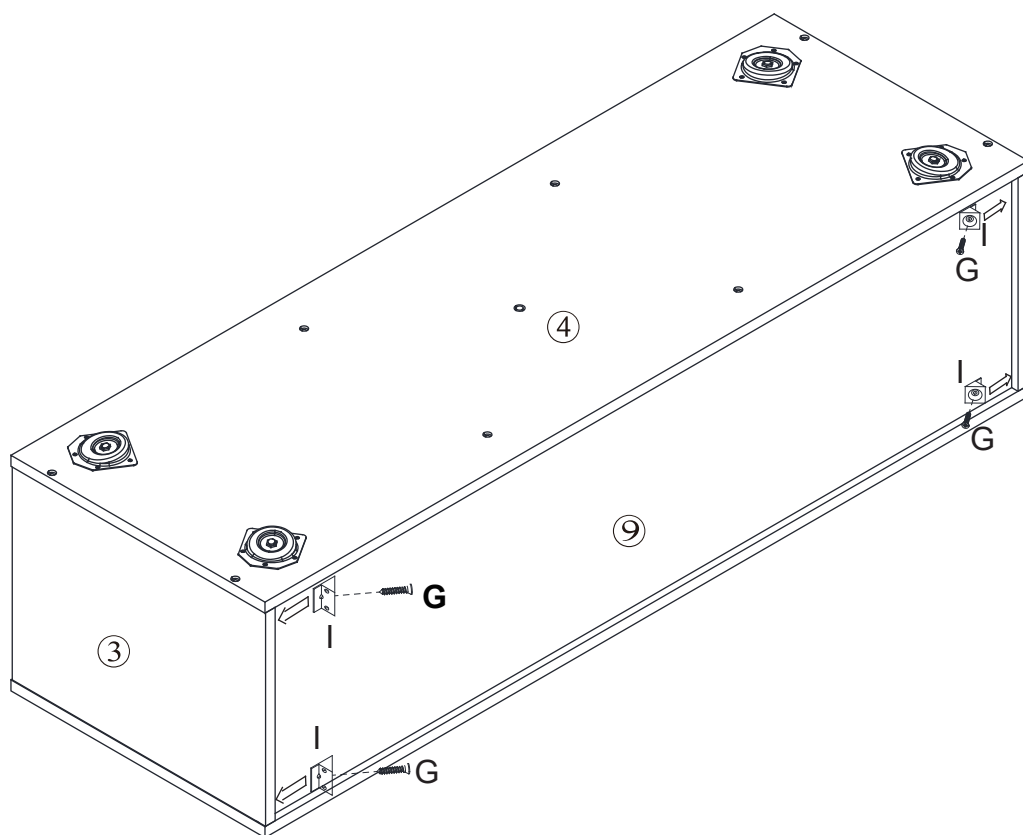
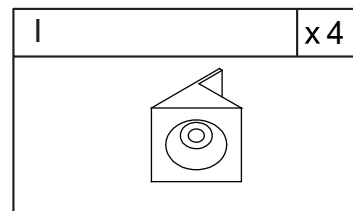
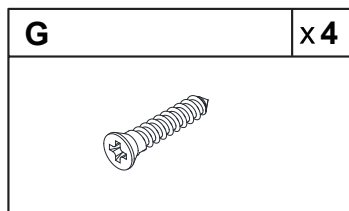


# Step 10

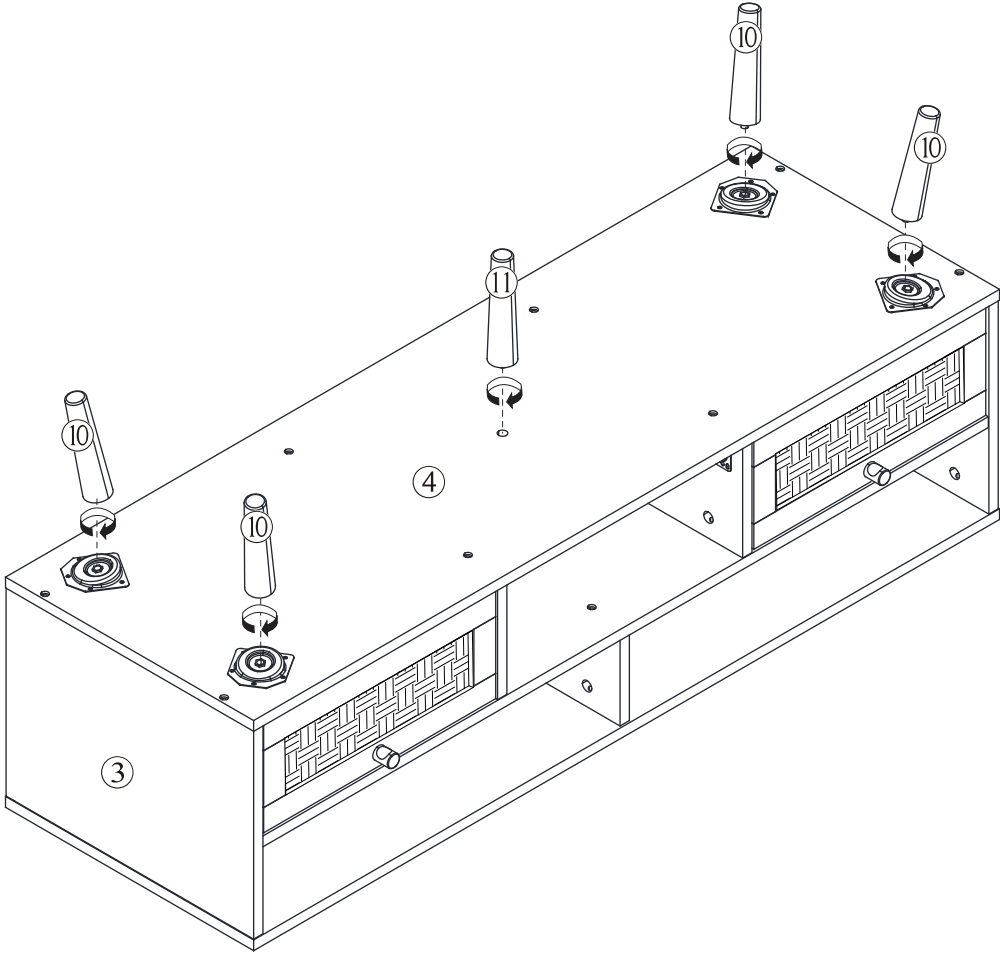




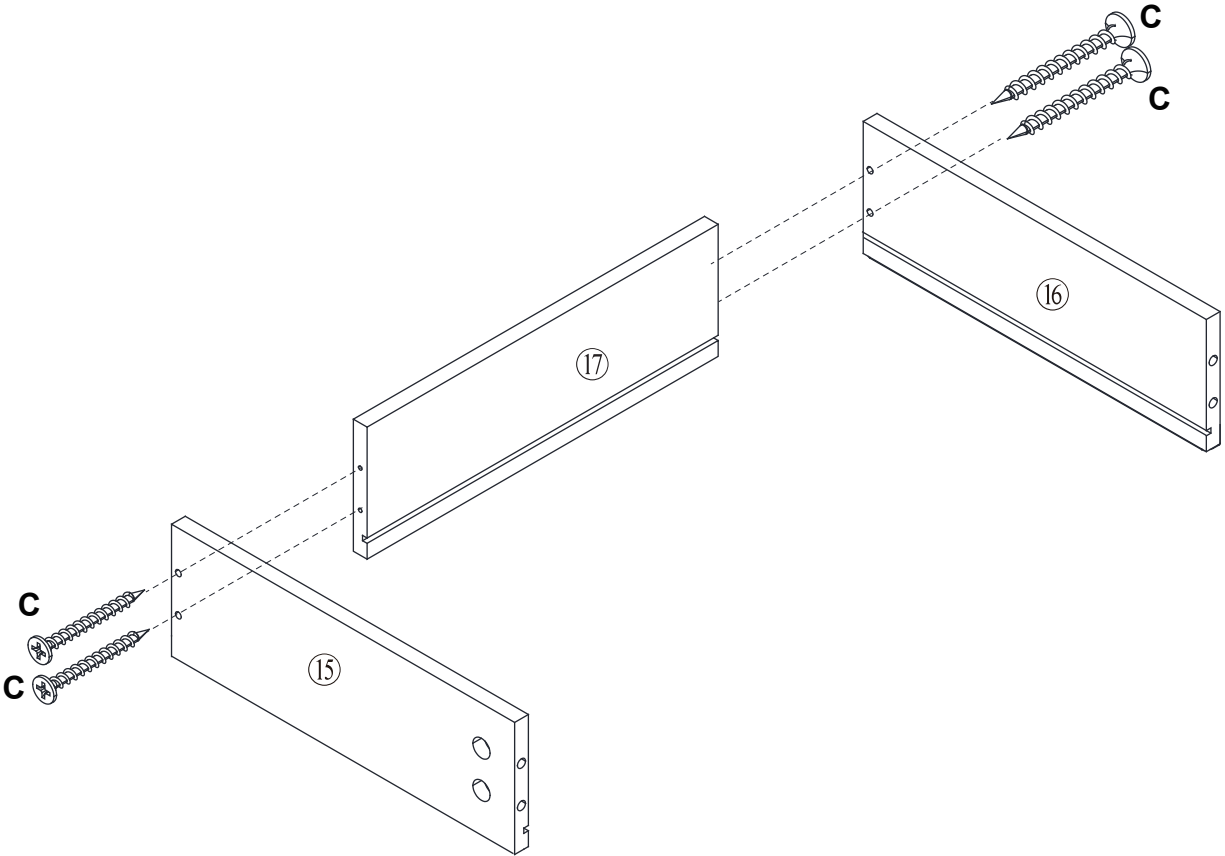
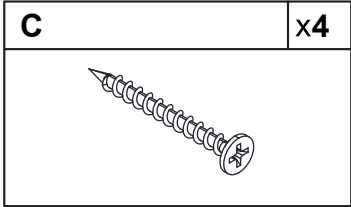
# Step 11



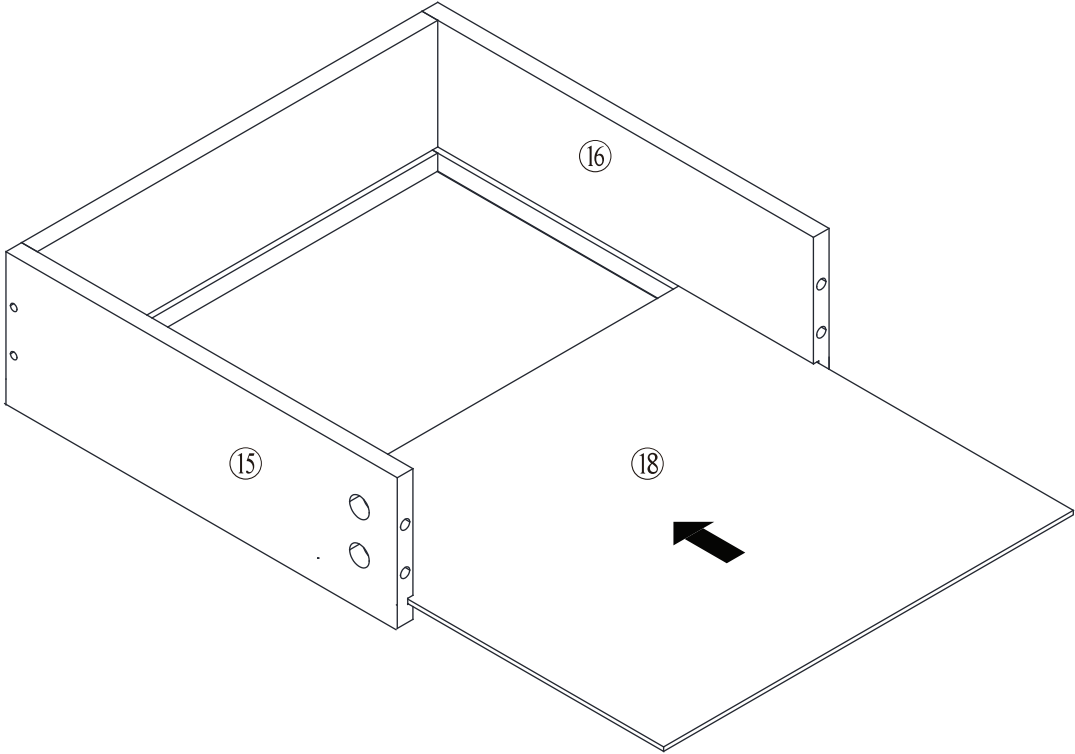
# Step 12



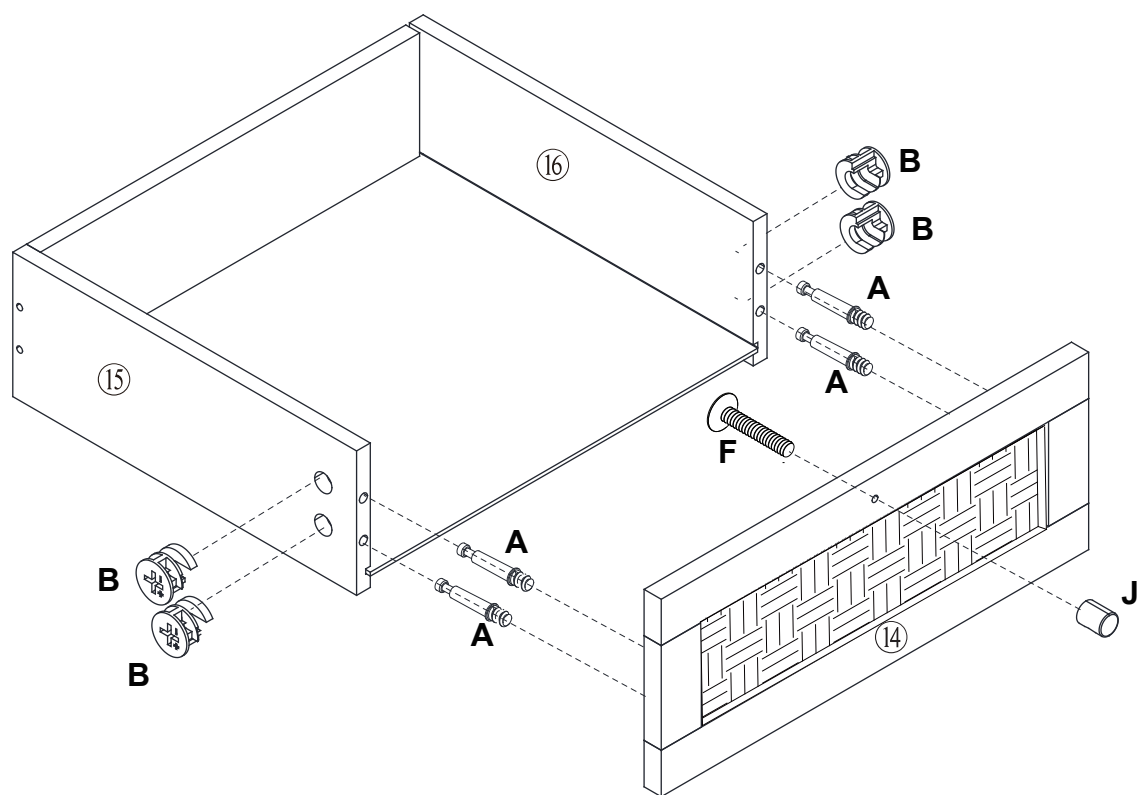
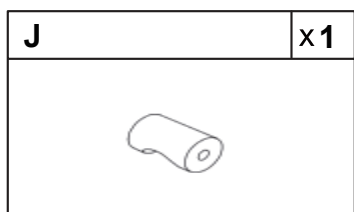
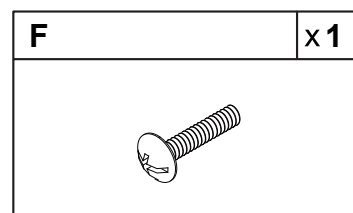
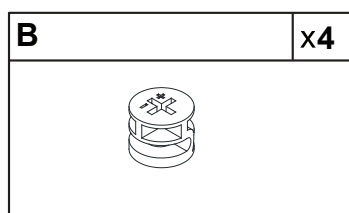
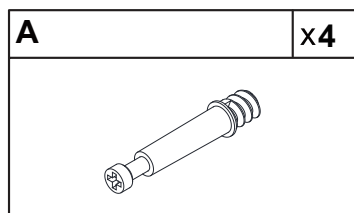
# Step 13



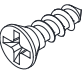
# Step 14




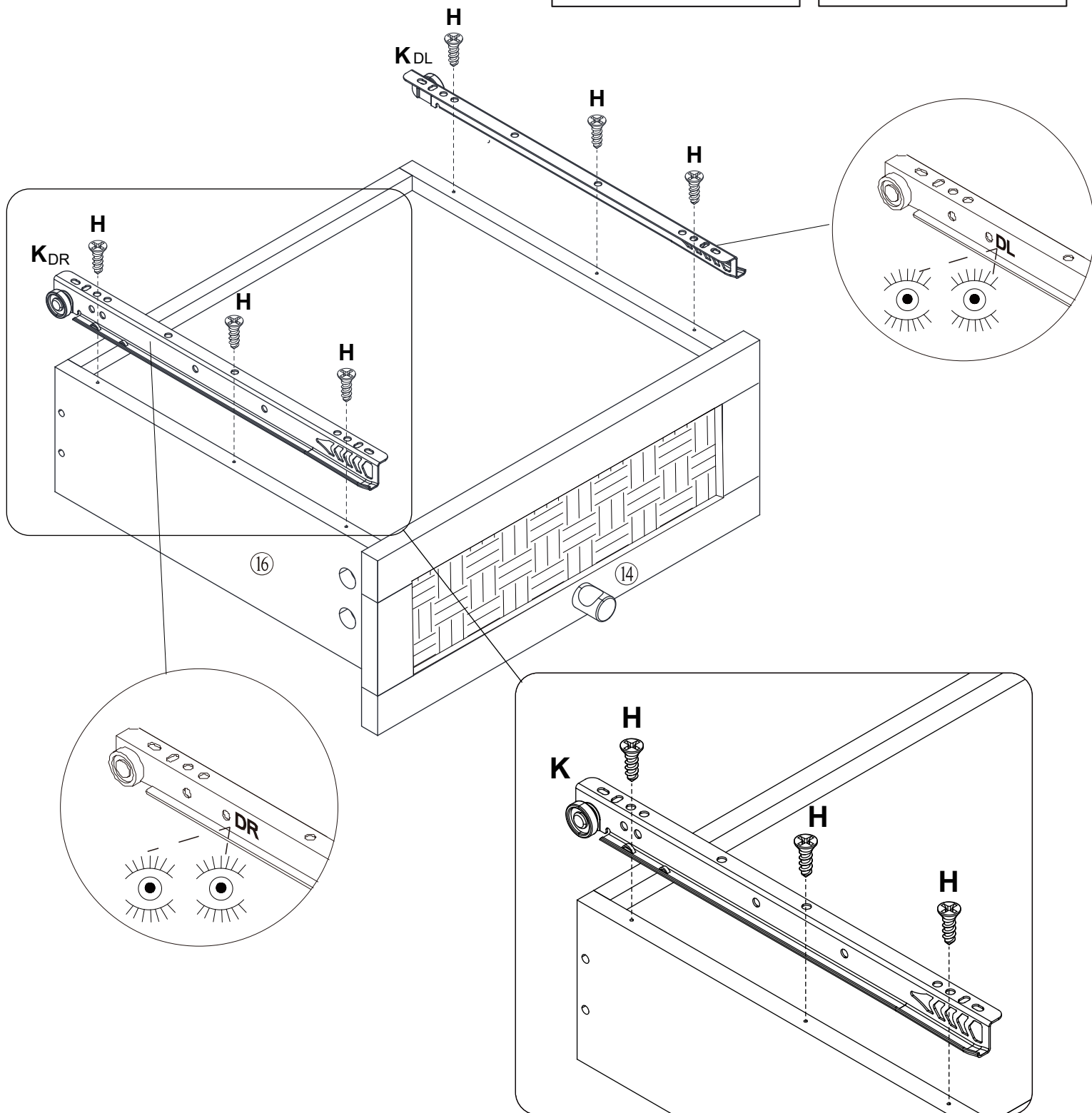
# Step 15



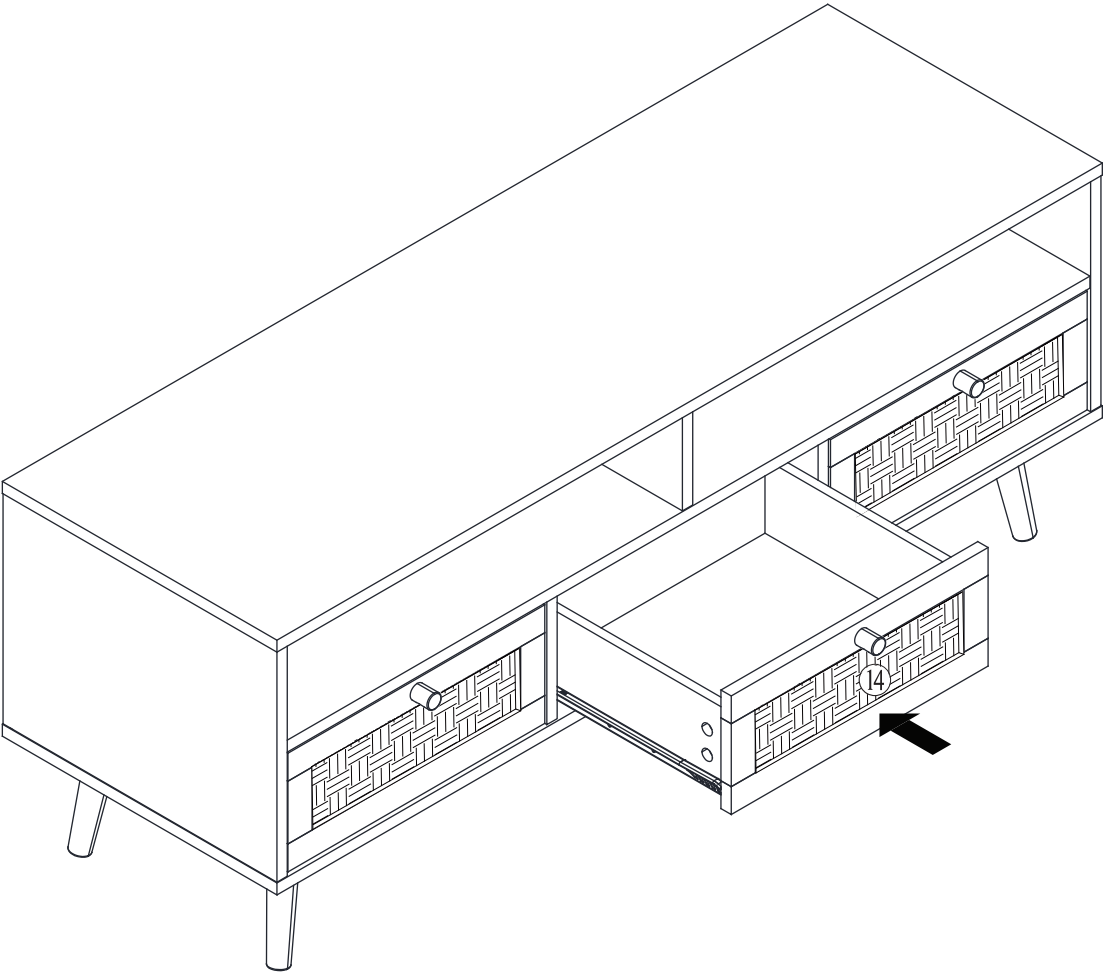
# Step 16

|  |           |
|--|-----------|
| <b>H</b>   | <b>x6</b> |
|  |           |

|   |           |
|---|-----------|
| <b>K</b>  | <b>x1</b> |
|  |           |
| CL DL DR CR   |           |



# Step 17



# Proper Use

- DO NOT** use for commercial purposes
- DO NOT** use as a step stool or stand on table
- DO NOT** put hot serving liquid directly on the table top
- DO NOT** leave spilled liquid on the table top
- DO NOT** use table if damaged
- DO NOT** exceed weight limit
- DO NOT** make temporary repairs
- DO NOT** use outdoor

## Dear Customer:

Thank you for purchasing our product, we wish you satisfy our service, if you have any further questions or any quality issues, please show the belows number and don't hesitate to contact our Customer Service People.:

**W688202212**