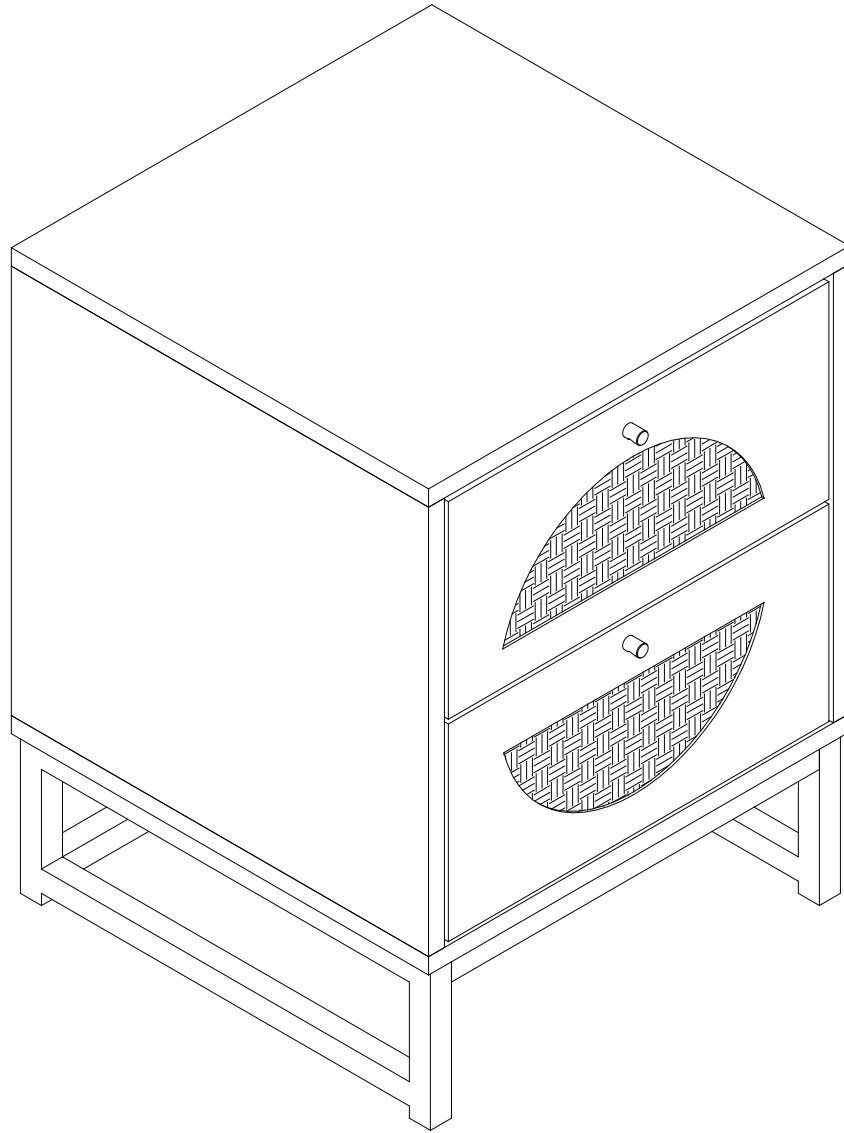


Installation Instruction



Product name

Allen 2 Drawer Side Table

Ver.2.0 20220815

Assembling

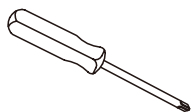
Estimated time for assembly



25 : 00

What you need

- Use the packaging carton as a working surface to prevent product damage during assembly
- Phillips head screwdriver



Weight Limitation



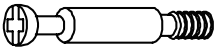
55 | **11**
lbs table top lbs per drawer

What's included

Code	Description	Qty
A	Cam Bolt M6X35MM	12
B	Cam Lock 15X10MM	12
C	Screw M4X35MM	12
D	Screw M3.5X12MM	24
E	Allen Key	1
F	Wooden Dowel M6X30MM	8
G	Bolt M4X18MM	2
H	Handle	2
I	Bolt M6X30MM	8
J	Bolt M6X40MM	6
K	Slide Sets	2
L	Plastic corner support	4
M	Screw M3X16MM	4

The Hardwares

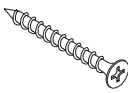
(A)



(B)



(C)



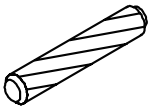
(D)



(E)



(F)



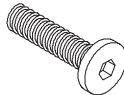
(G)



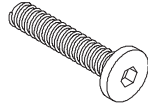
(H)



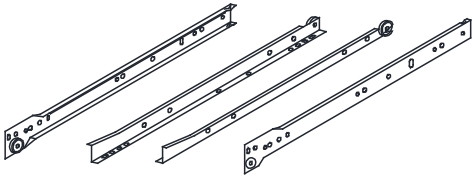
(I)



(J)

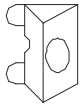


(K)



CL DL DR CR

(L)



(M)



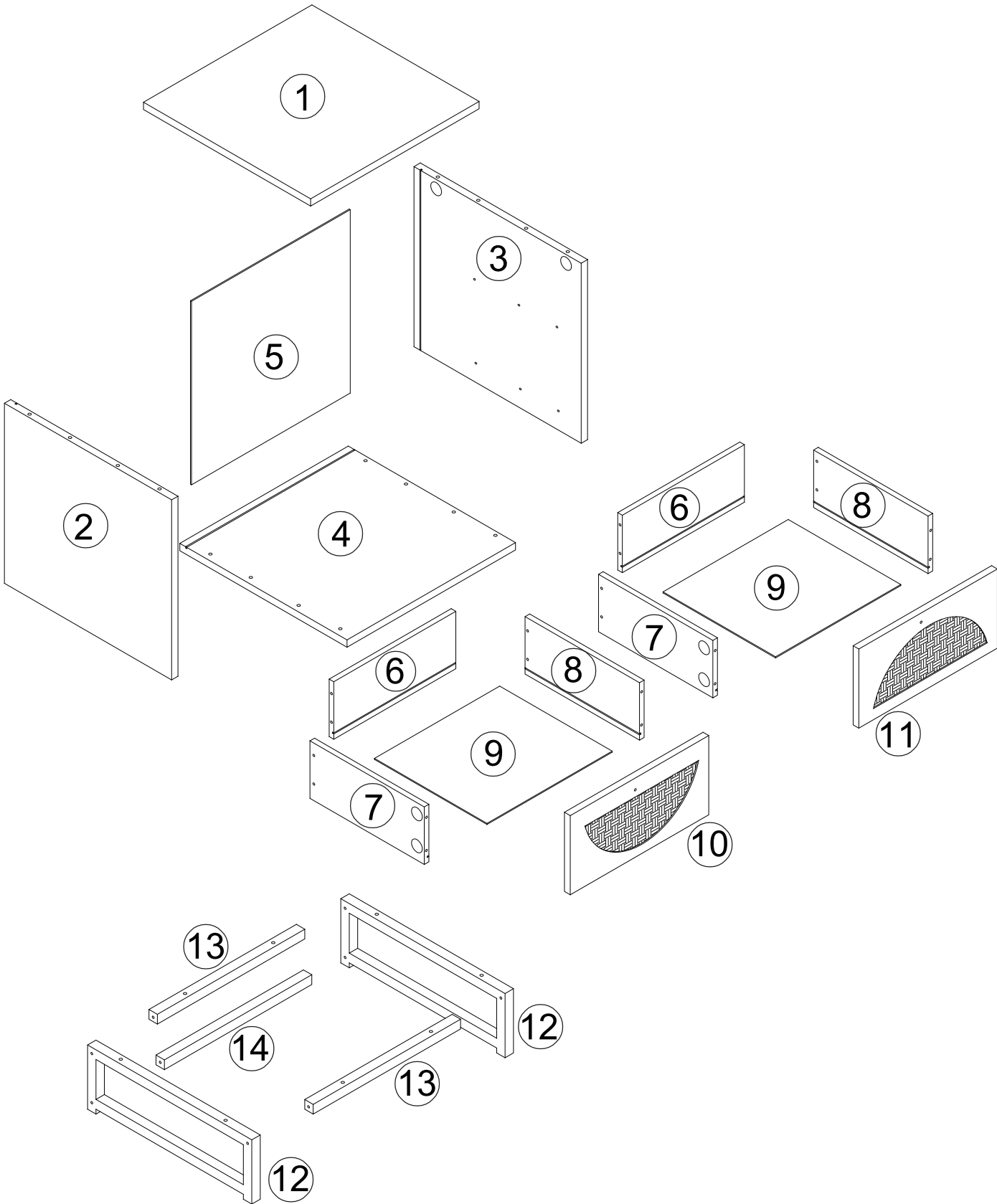
IMPORTANT:

1. Do not tighten bolts / screws completely until all bolts / screws are lined up and inserted into holes.
2. Do not over tighten screws and bolts to avoid stripping.
3. Please use hand tools to assemble this product. Do not use power tools.

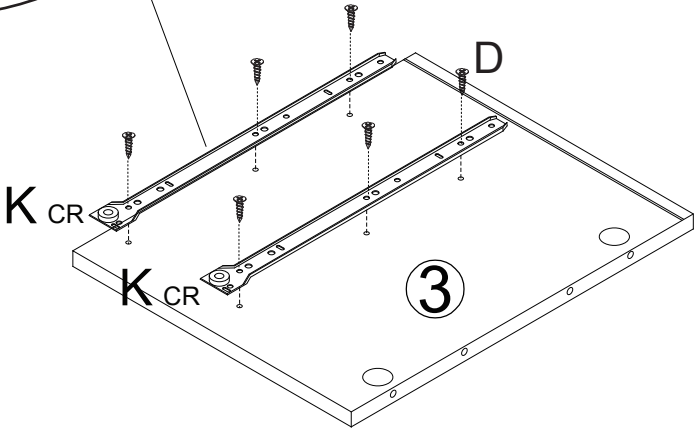
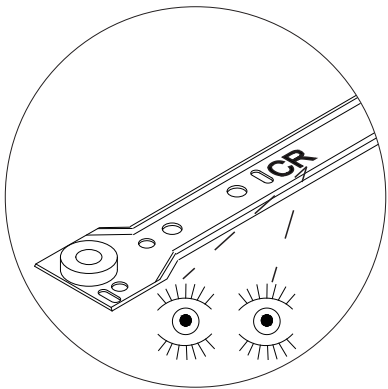
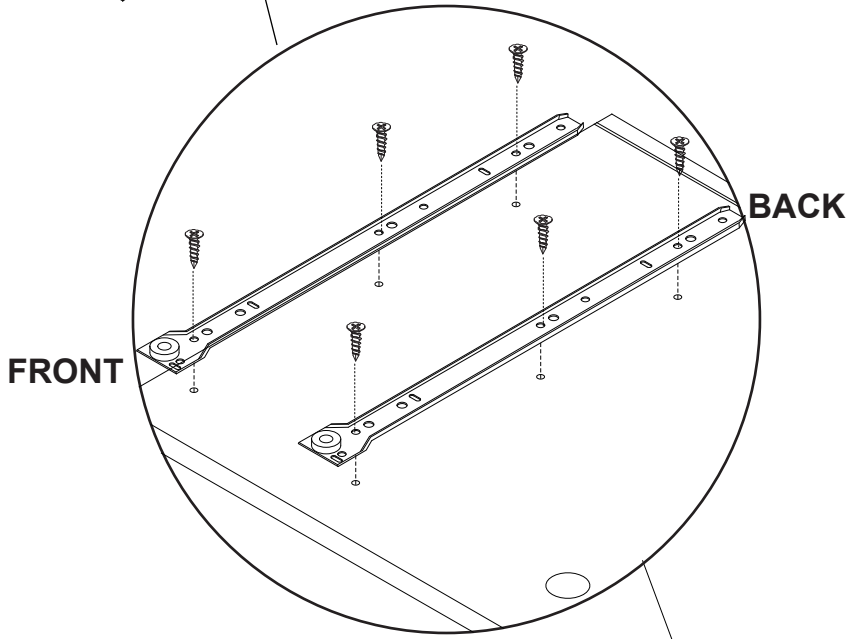
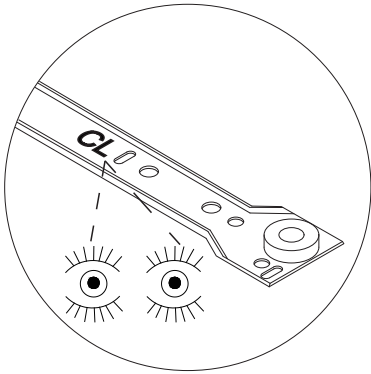
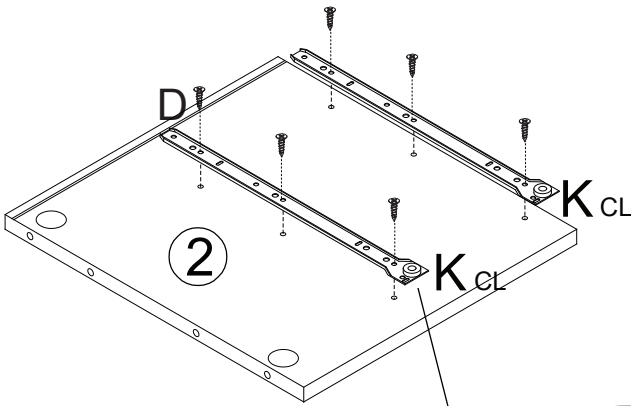
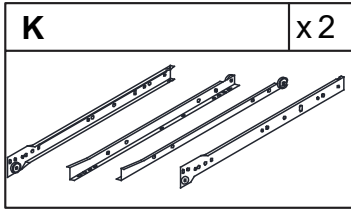
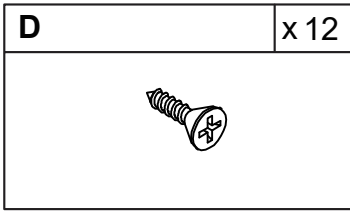
Included Accessories

Code	Description	Qty
1	Cabinet Top	1
2	Left Side Panel	1
3	Right Side Panel	1
4	Bottom panel	1
5	Back Panel	1
6	Drawer Back Panel	2
7	Drawer Left Side Panel	2
8	Drawer Right Side Panel	2
9	Drawer Bottom Panel	2
10	Drawer Left Front Panel	1
11	Drawer Right Front Panel	1
12	Side Frame	2
13	Top Metal Stretcher	2
14	Bottom Metal Stretcher	1

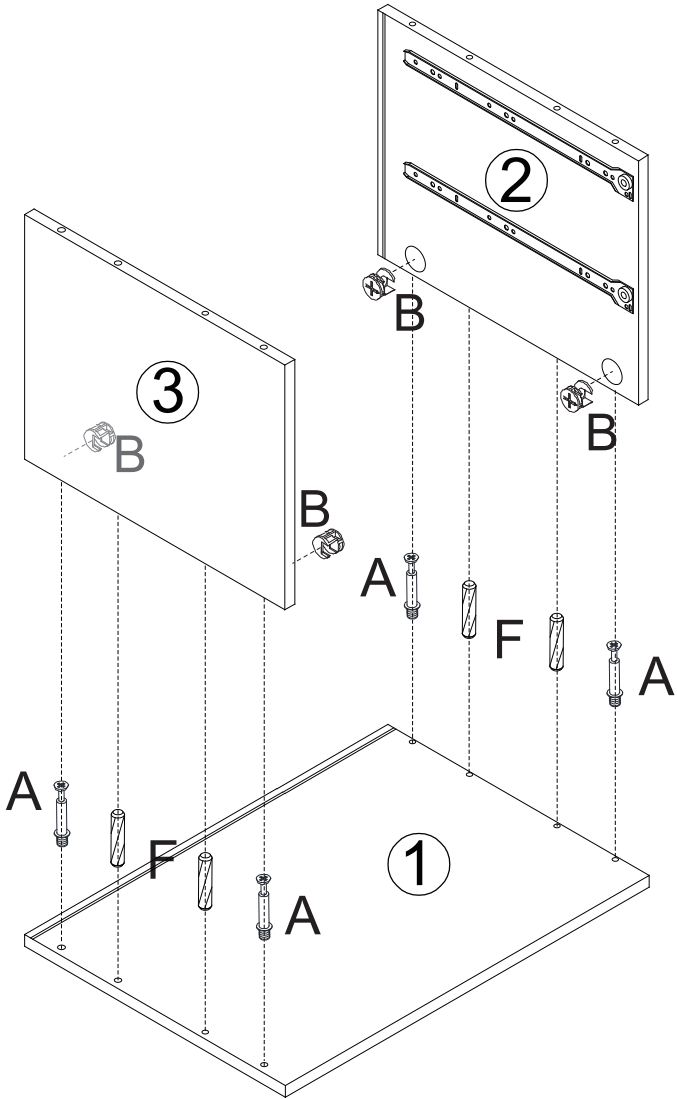
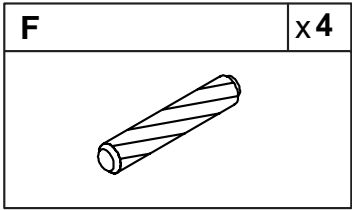
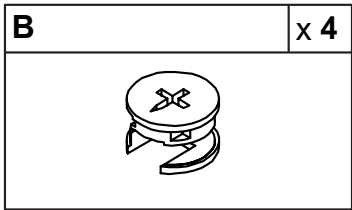
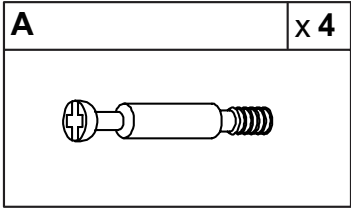
The Accessories



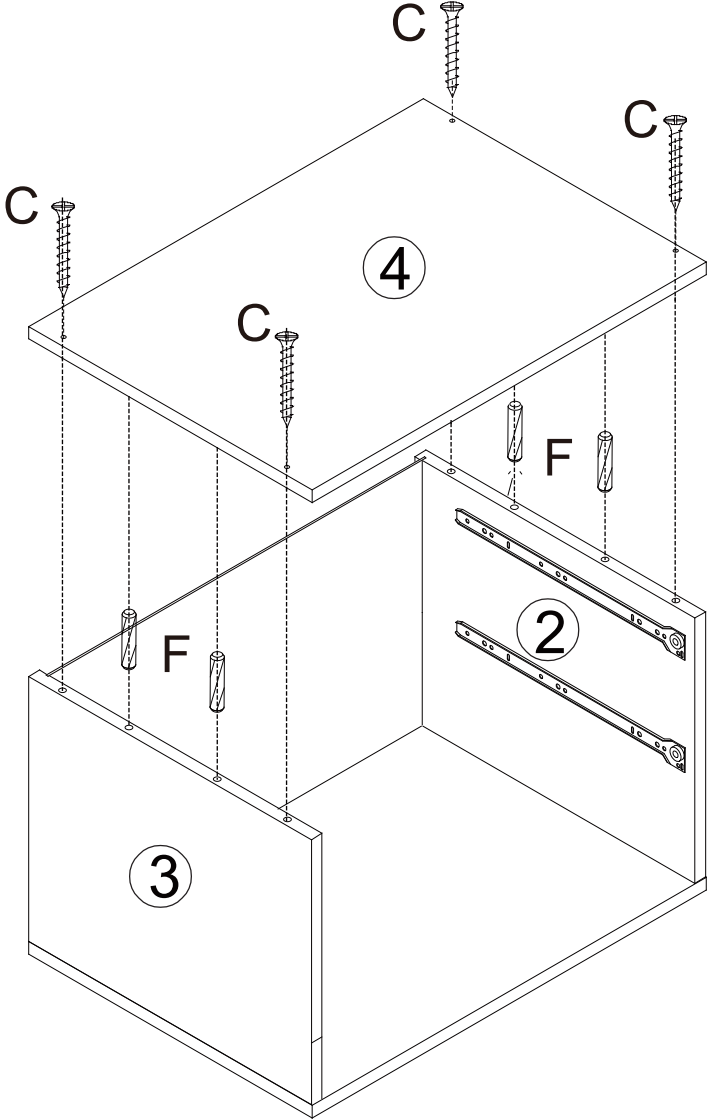
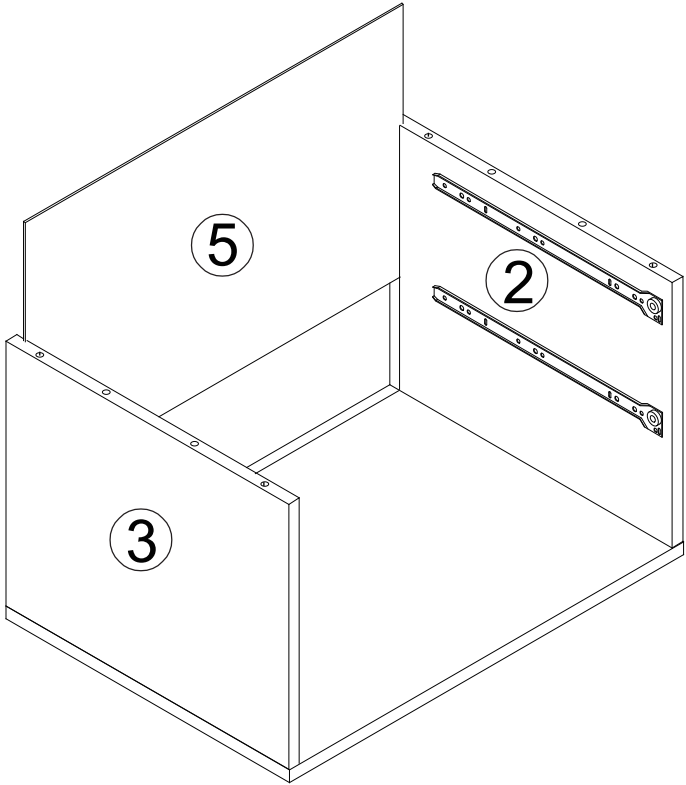
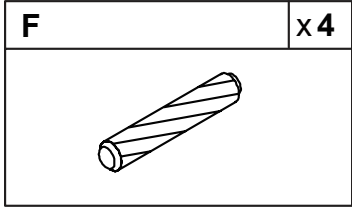
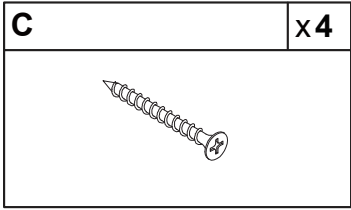
Step 1




Step 2




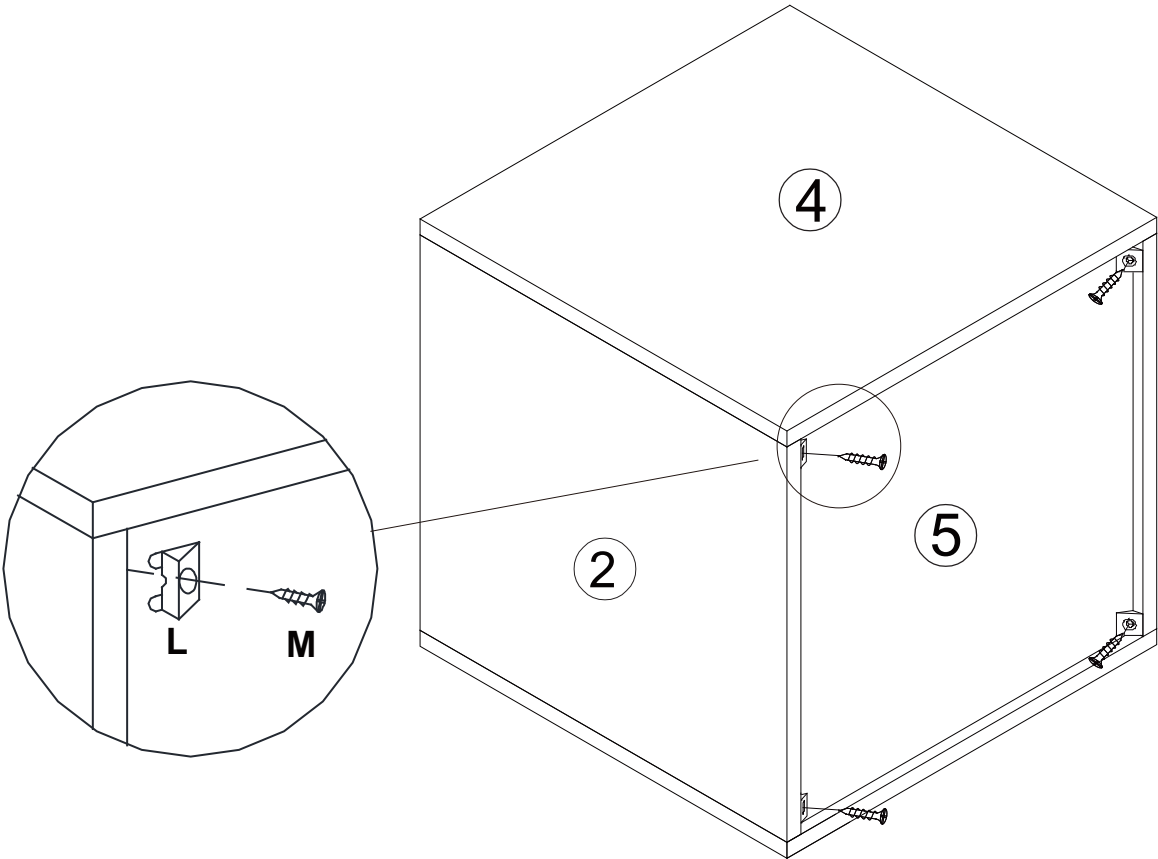
Step 3




Step 4

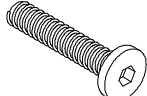
L	4
	

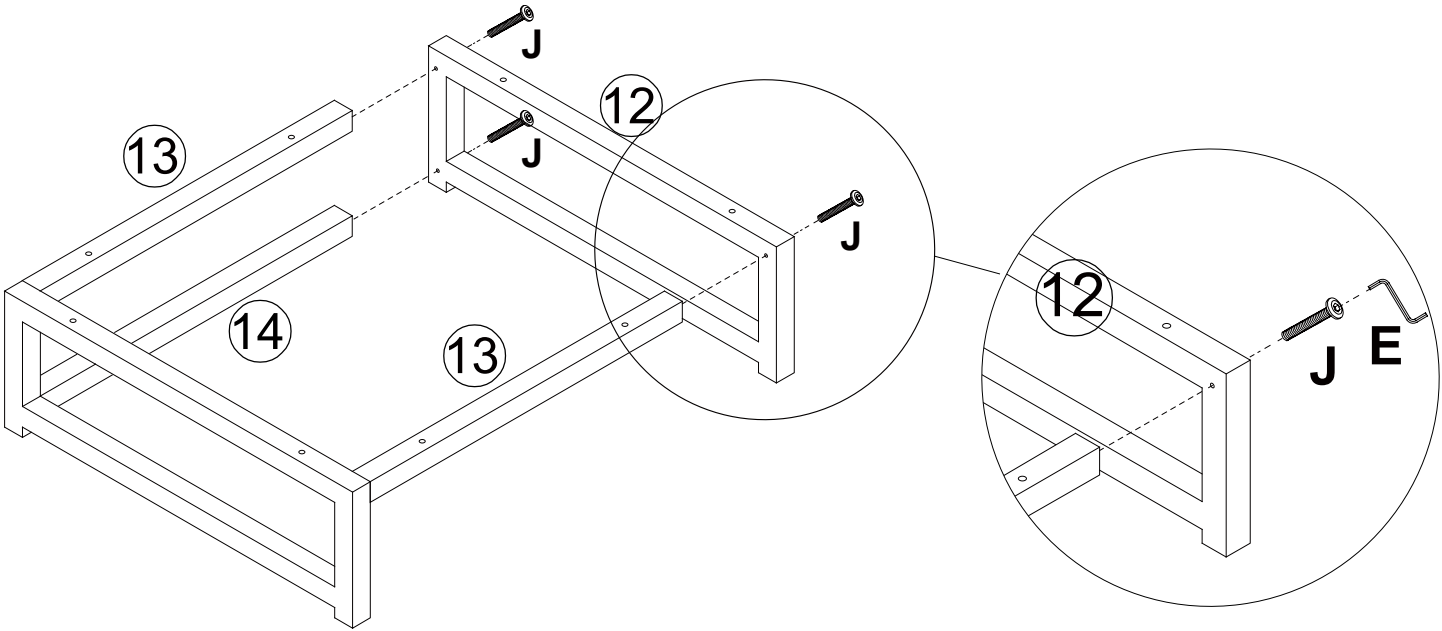
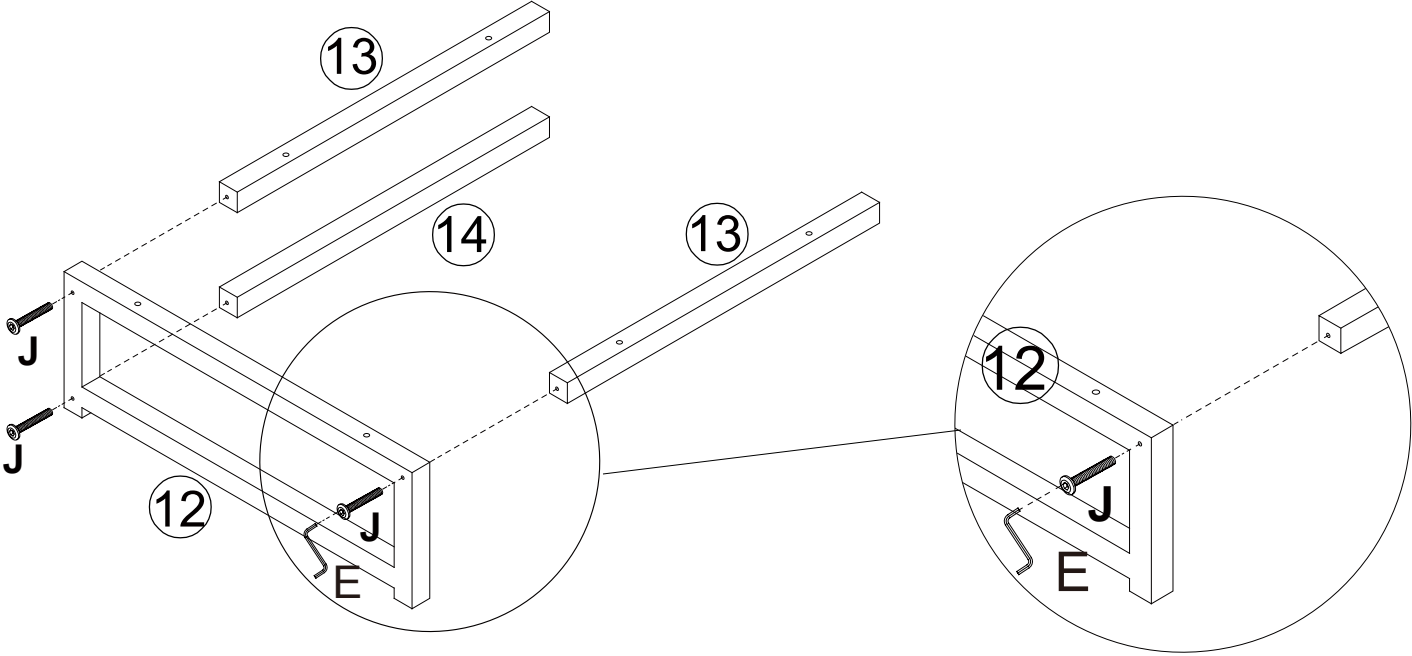
M	4
	



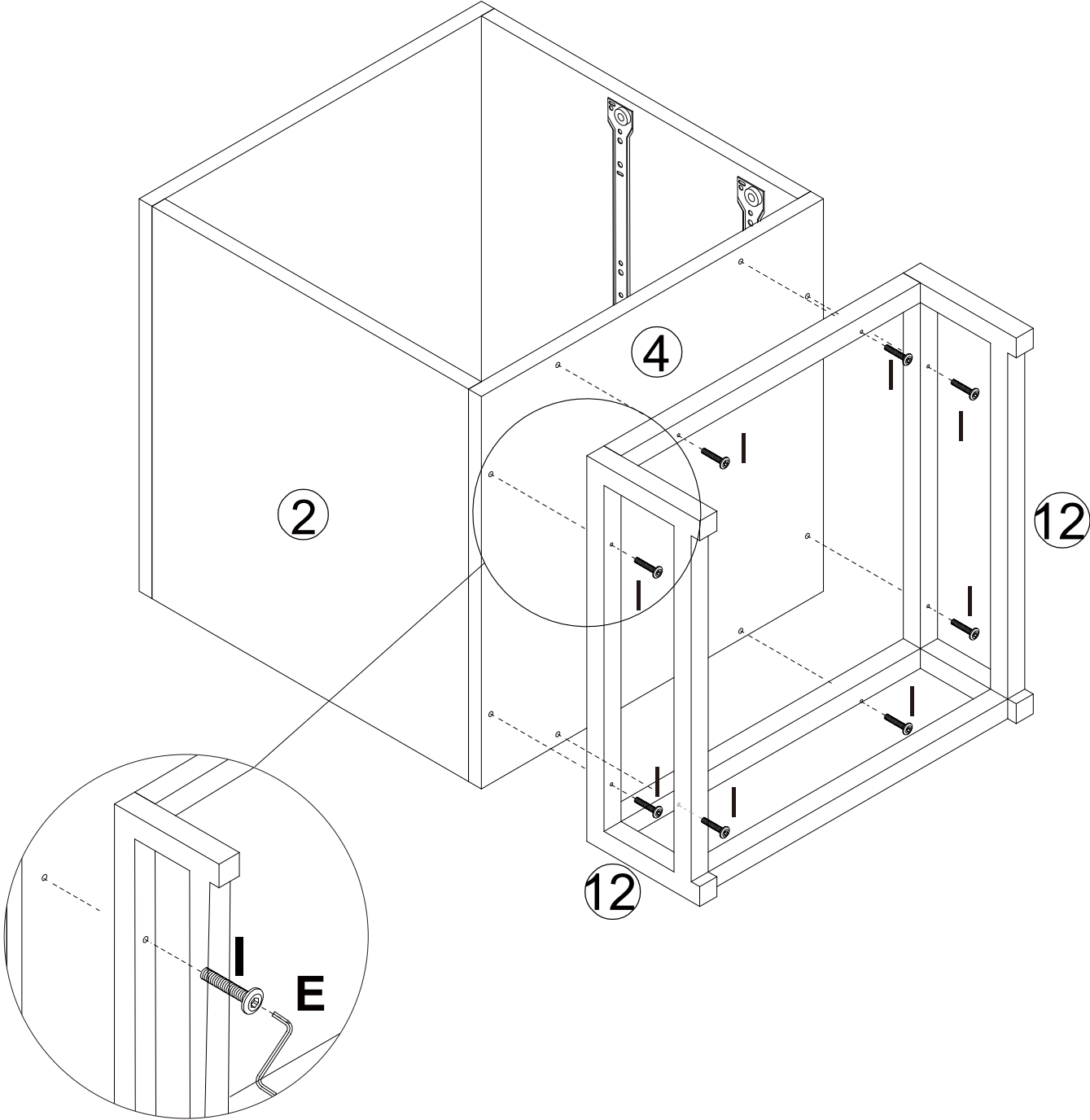
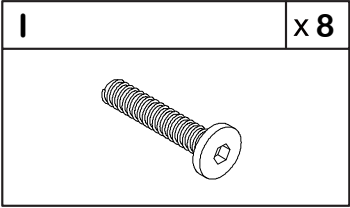
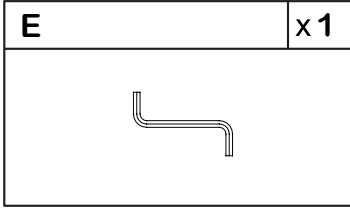
Step 5

E	x1
	

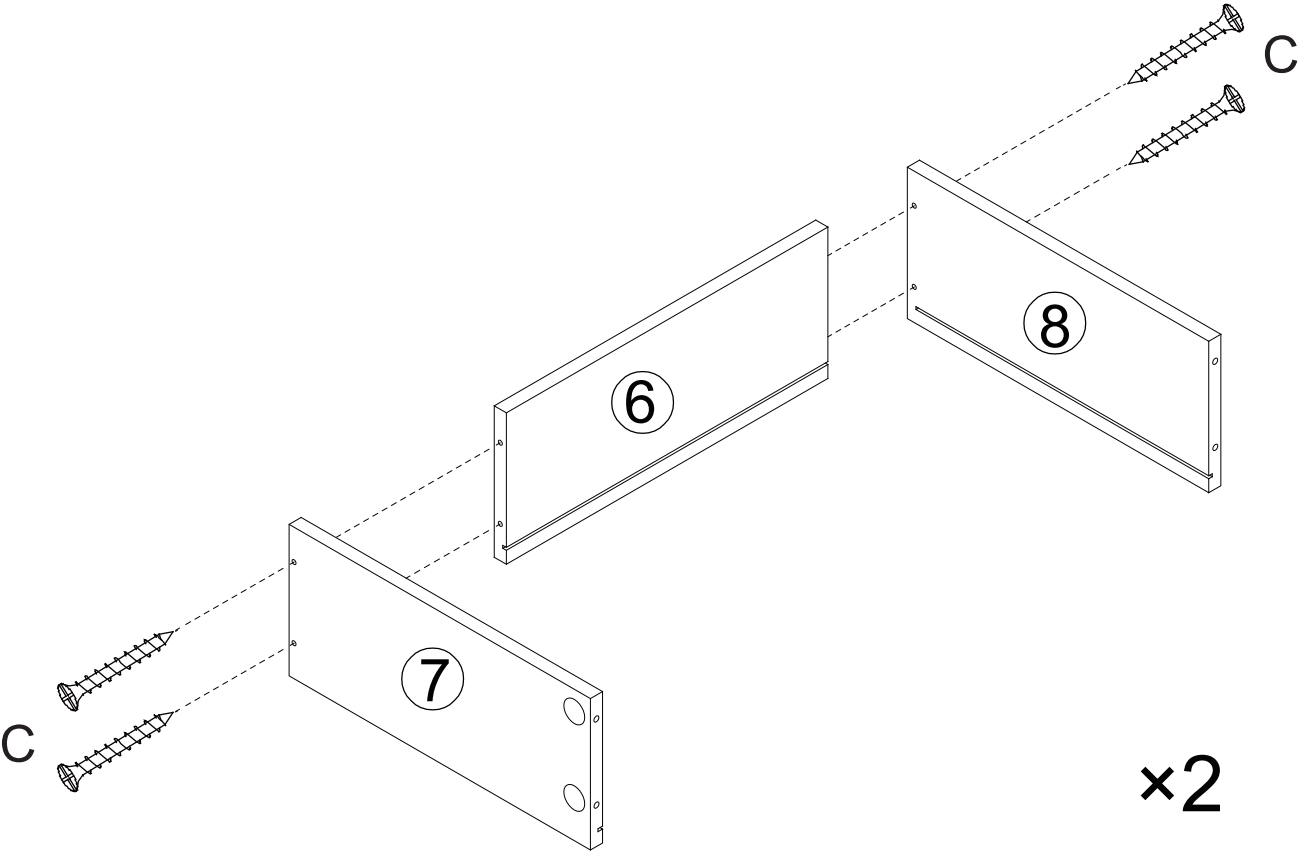
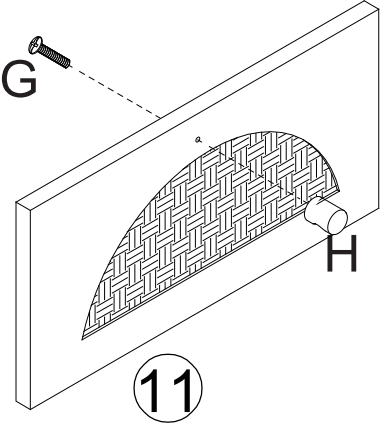
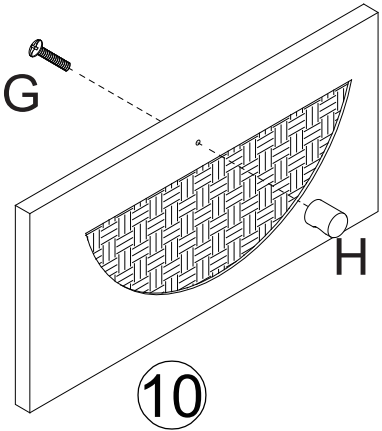
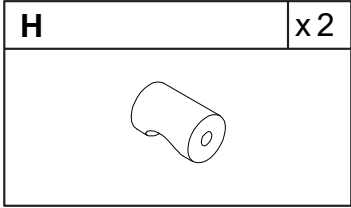
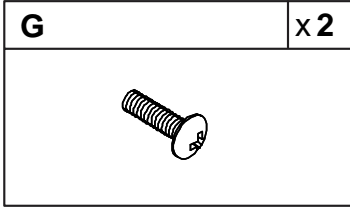
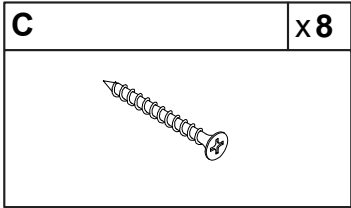
J	x6
	



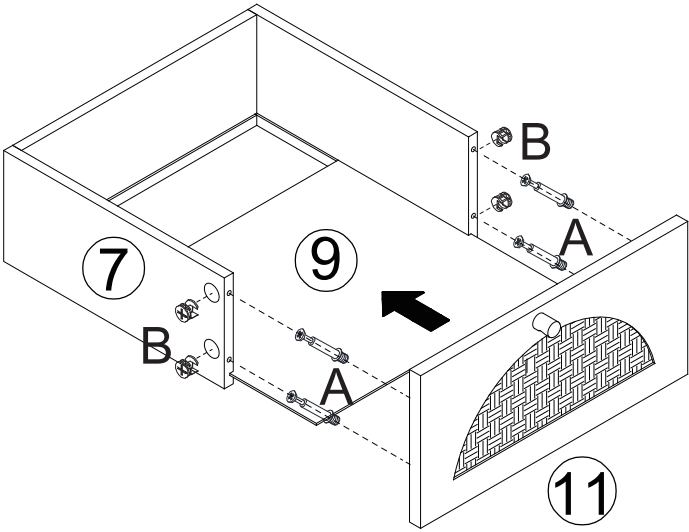
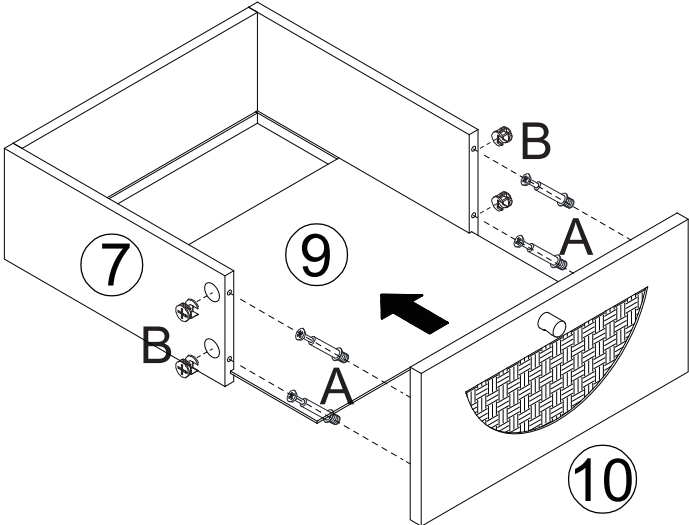
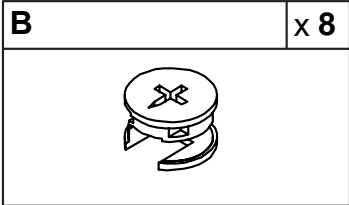
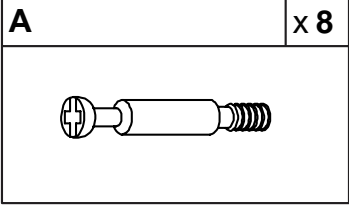
Step 6



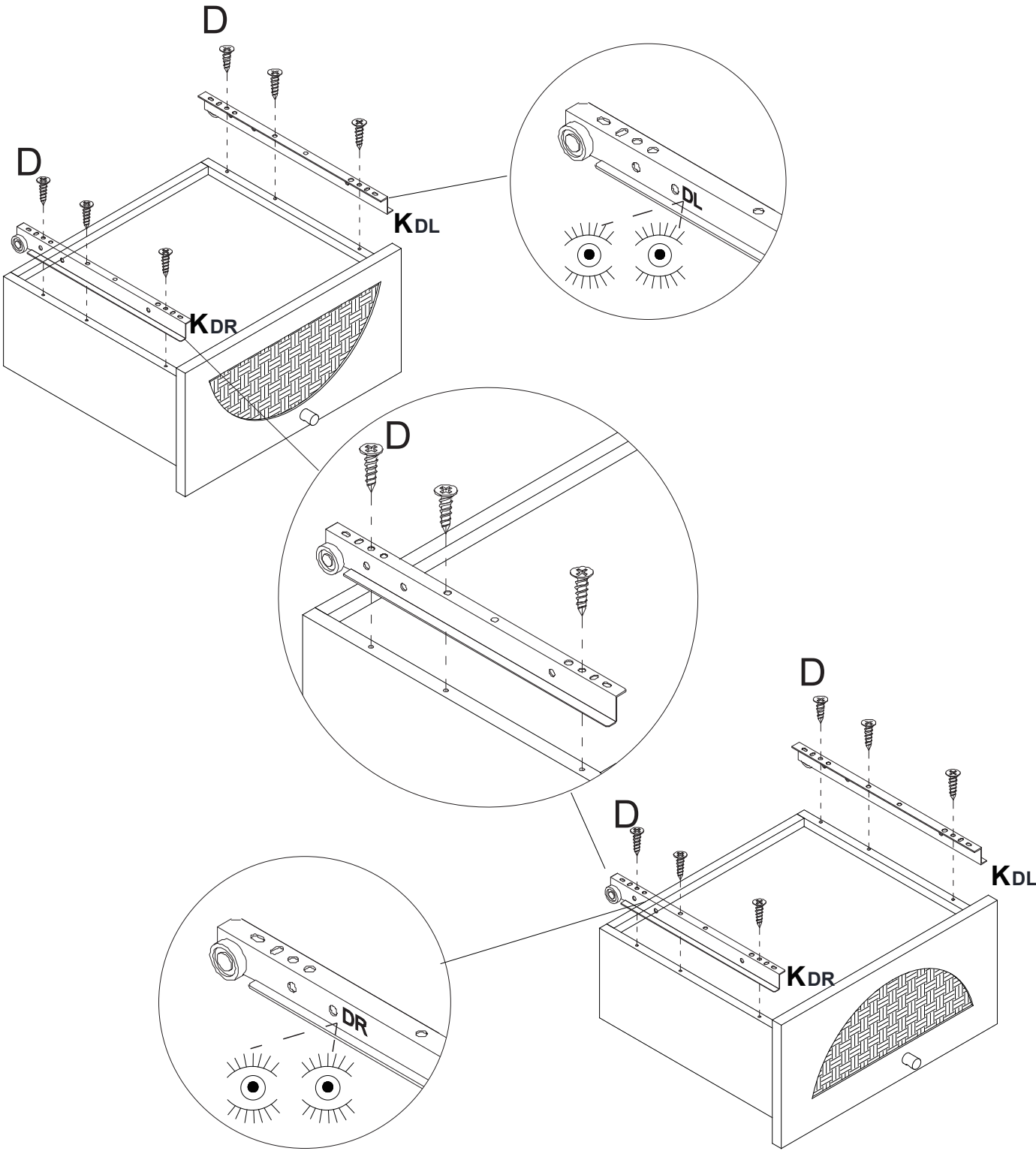
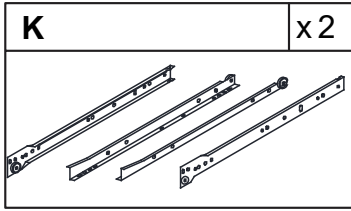
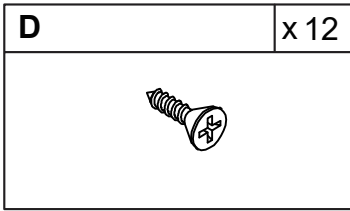
Step 7



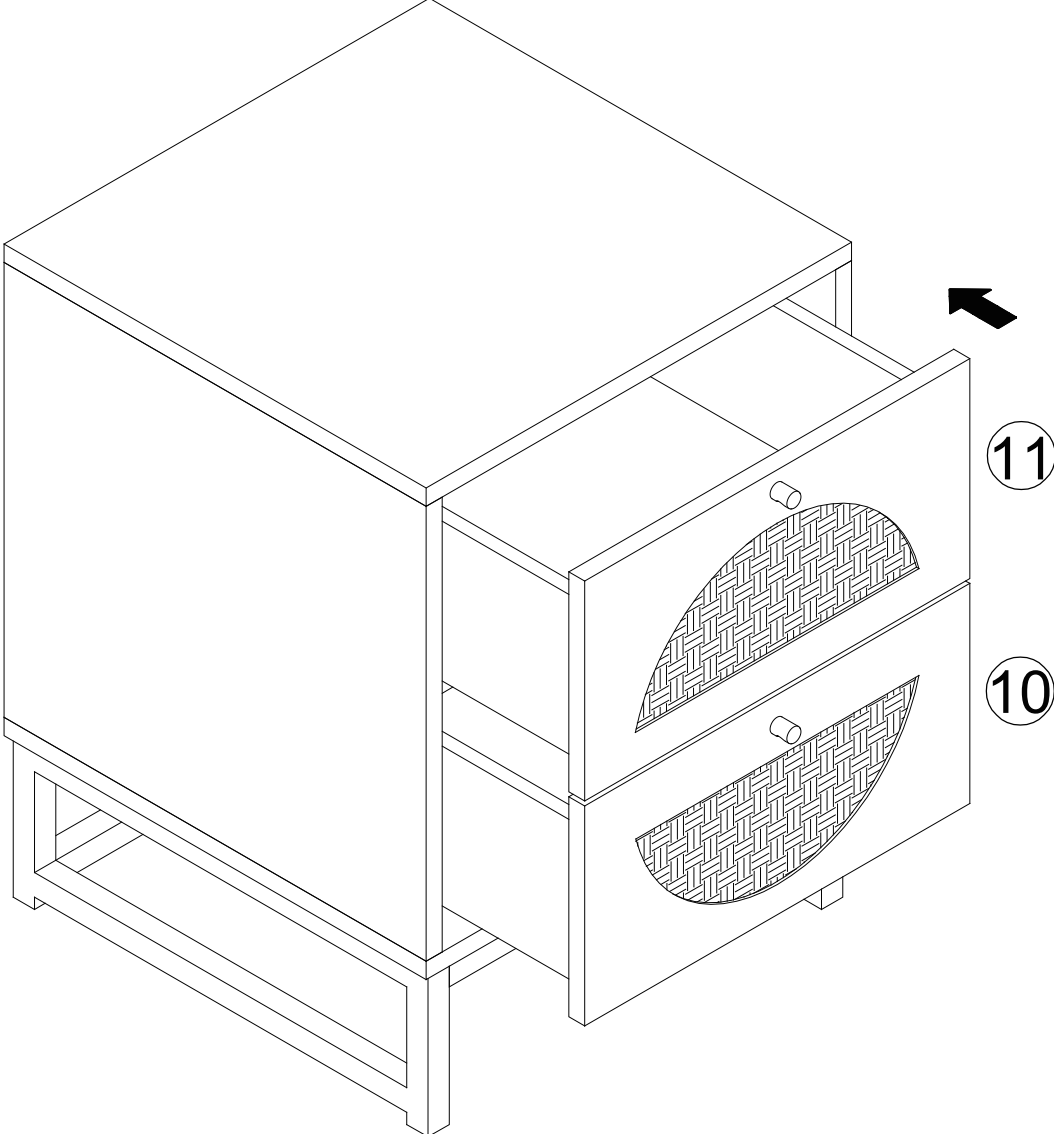
Step 8



Step 9



Step 10



Proper Use

- DO NOT** use for commercial purposes
- DO NOT** use as a step stool or stand on table
- DO NOT** put hot serving liquid directly on the table top
- DO NOT** leave spilled liquid on the table top
- DO NOT** use table if damaged
- DO NOT** exceed weight limit
- DO NOT** make temporary repairs
- DO NOT** use outdoor