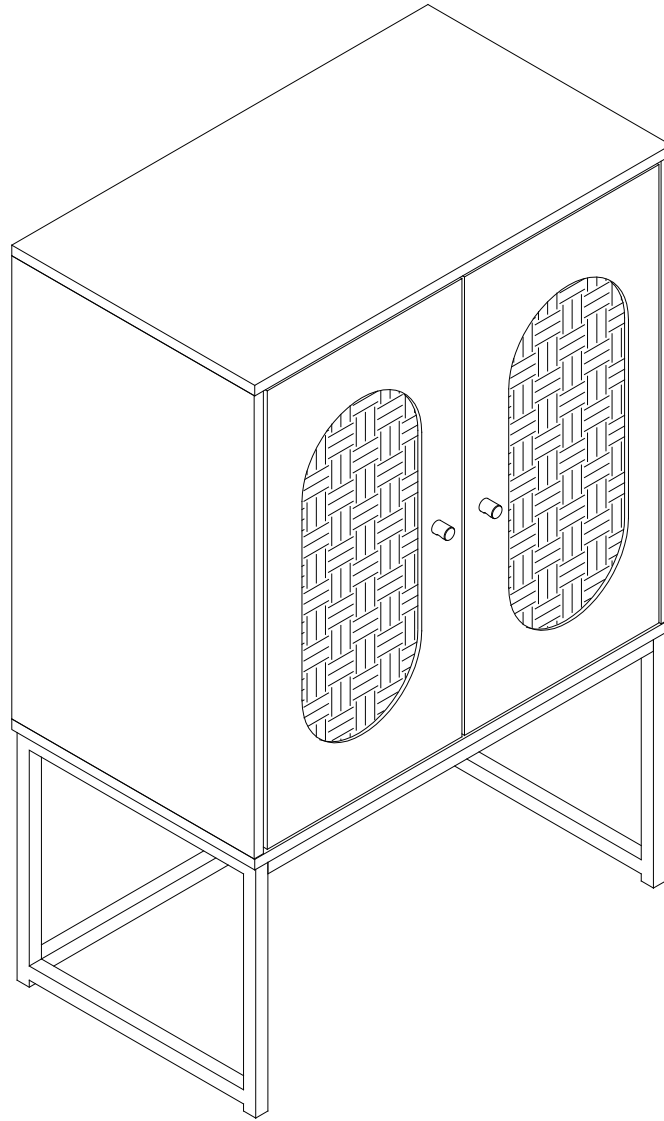


# Installation Instruction



Product name

---

**Allen 2 Door High Cabinet**

Ver.1.0 20210105

# Assembling

---

## Estimated time for assembly

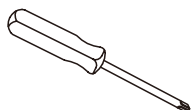


**30 : 00**

---

## What you need

- Use the packaging carton as a working surface to prevent product damage during assembly
- Phillips head screwdriver



## Weight Limitation



**44**

lbs table top

**22**

lbs per shelf

---

# What's included

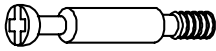
---

Code	Description	Qty
A	Cam Bolt M6X35MM	10
B	Cam Lock 15X10MM	10
C	Screw M4X35MM	6
D	Screw M3X14MM	8
E	Screw M3X10MM	4
F	Screw M4X35MM	2
G	Screw M4X14MM	2
H	Bolt M4X18MM	2
I	Handle	2
J	Bolt M6X30MM	8
K	Bolt M6X40MM	6
L	Wooden Dowel M6X30MM	10
M	Metal Support	4
N	Metal Pin	4
O	Magnetic Door Catcher	2
P	Metal Plate	4
Q	Anchor M6X30MM	2
R	Nylon Strap	2
S	Allen Key	1
T	Plastic corner support	4

---

# The Hardwares

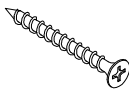
A



B



C



D



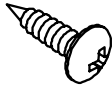
E



F



G



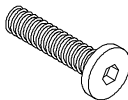
H



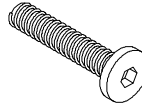
I



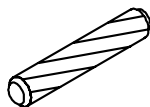
J



K



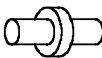
L



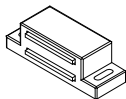
M



N



O



P



Q



R



S



T



### IMPORTANT:

- 1. Do not tighten bolts / screws completely until all bolts / screws are lined up and inserted into holes.
- 2. Do not over tighten screws and bolts to avoid stripping.
- 3. Please use hand tools to assemble this product. Do not use power tools.

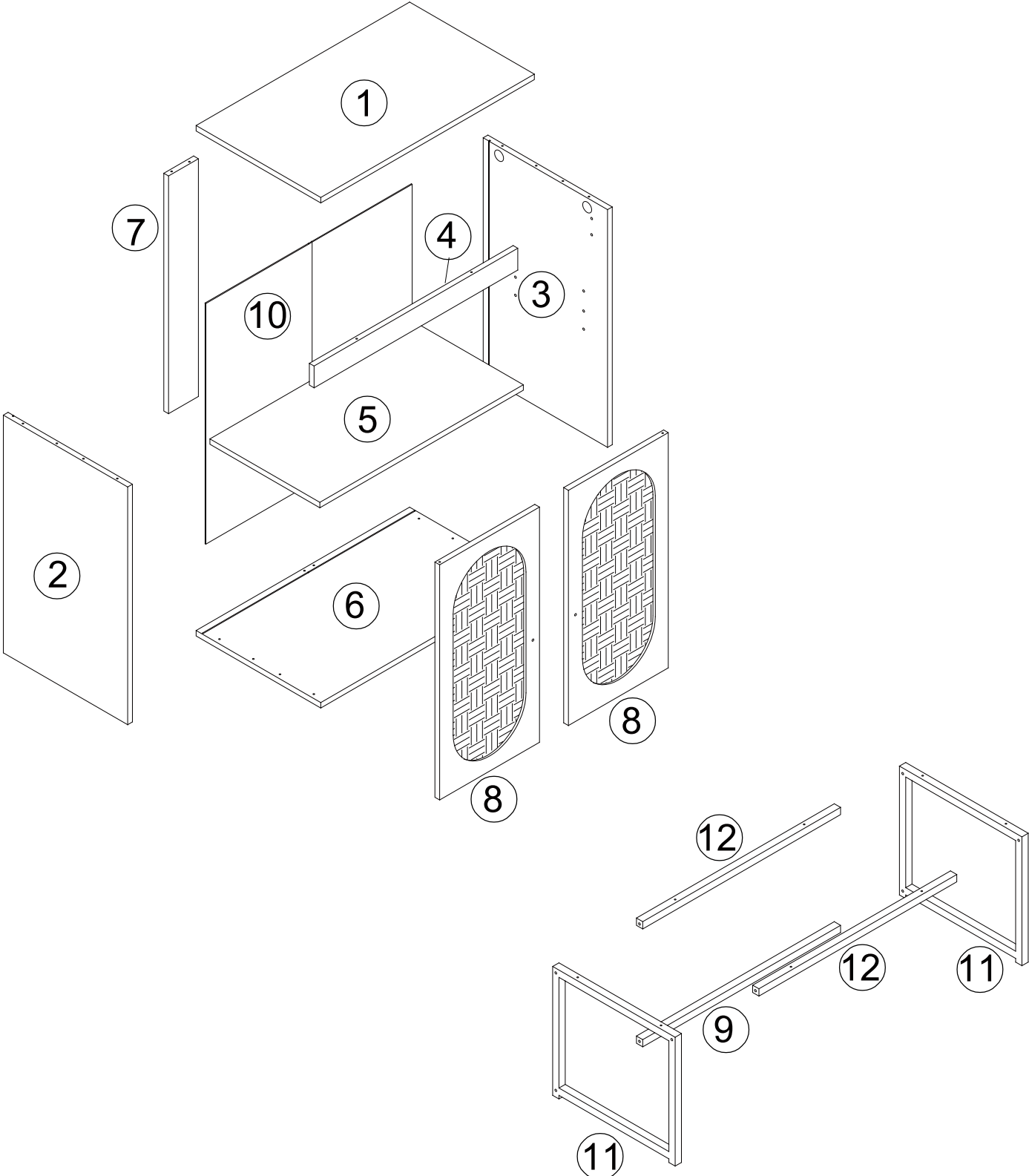
# Included Accessories

---

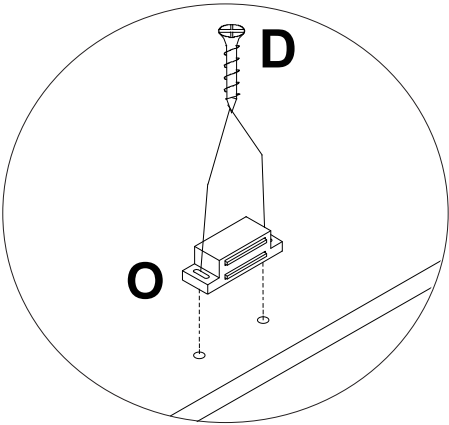
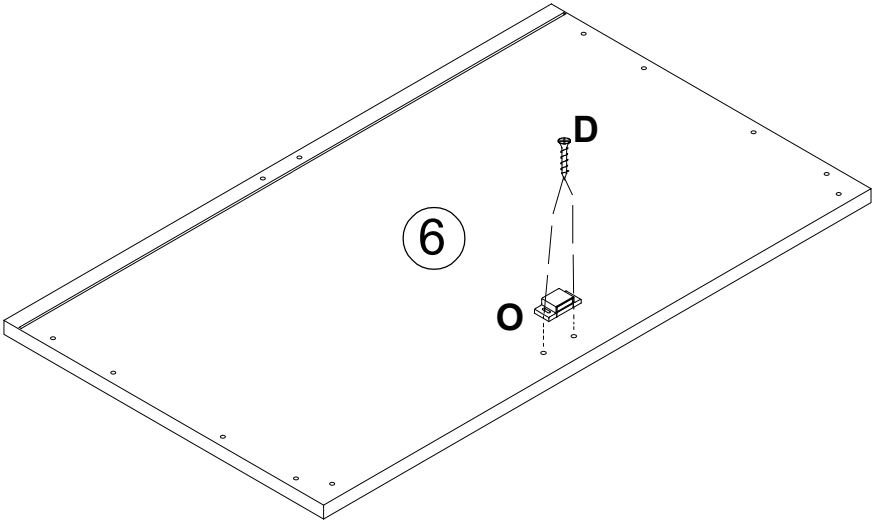
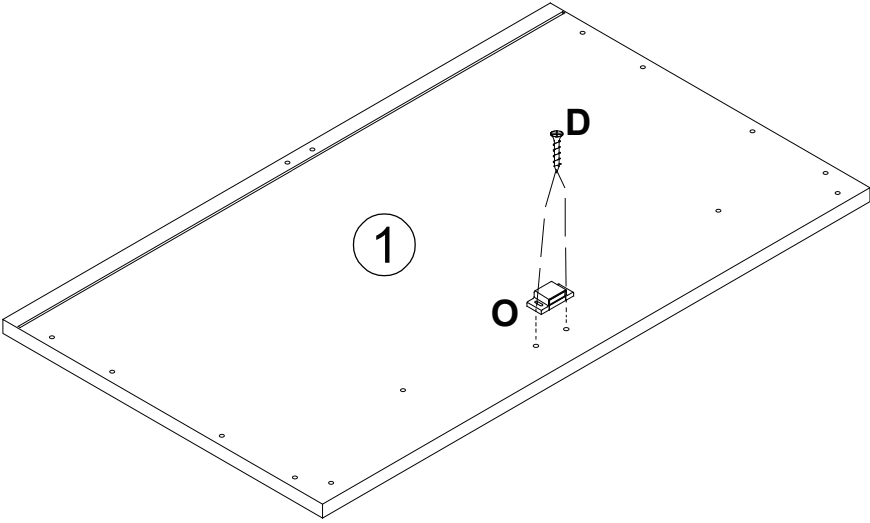
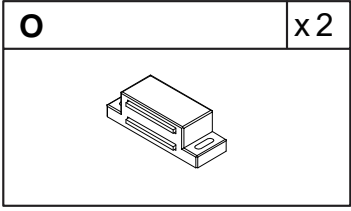
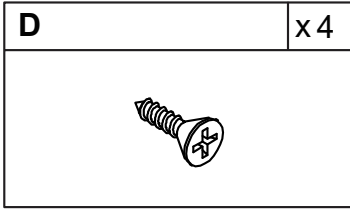
<b>Code</b>	<b>Description</b>	<b>Qty</b>
1	Cabinet Top	1
2	Left Side Panel	1
3	Right Side Panel	1
4	Top Stretcher	1
5	Shelf	1
6	Bottom Panel	1
7	Back Stretcher	1
8	Door	2
9	Bottom Metal Stretcher	1
10	Back Panel	1
11	Side Frame	2
12	Top Metal Stretcher	2

---

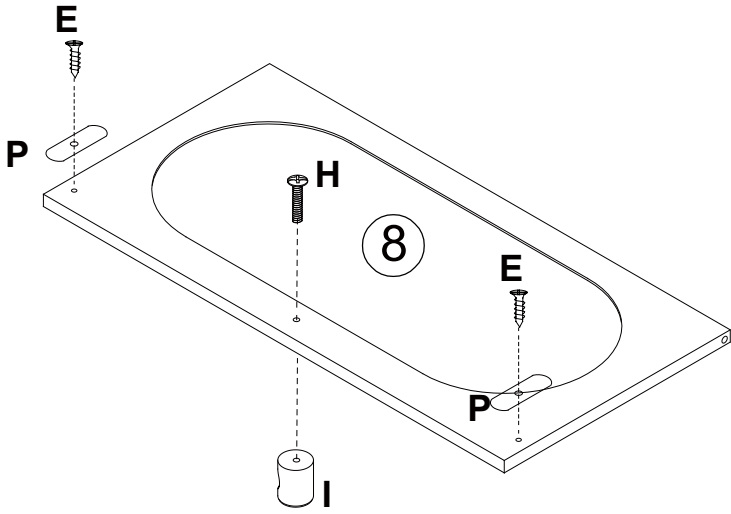
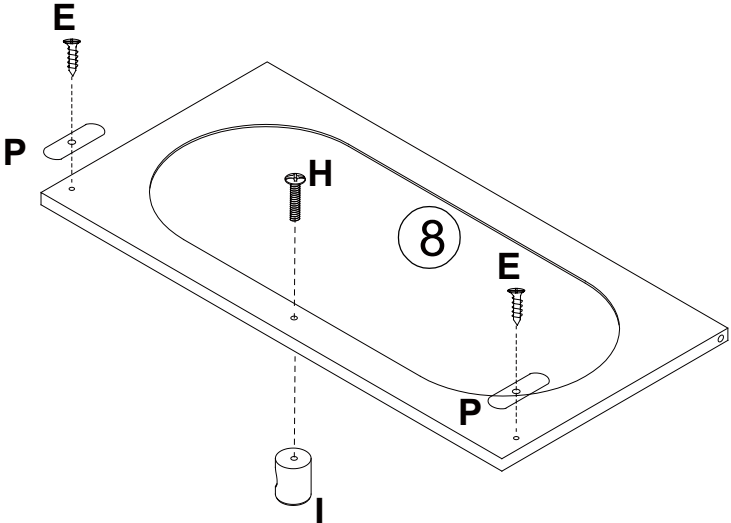
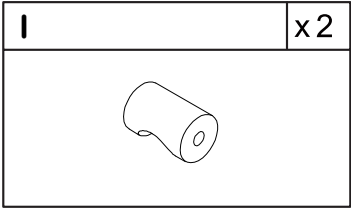
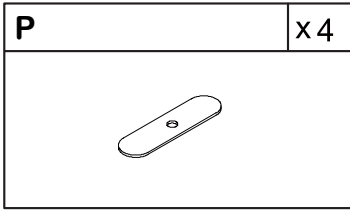
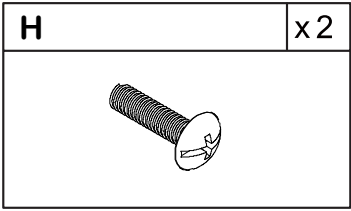
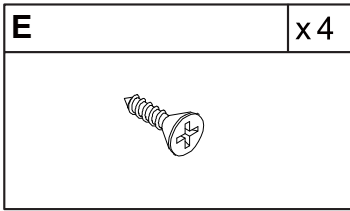
# The Accessories



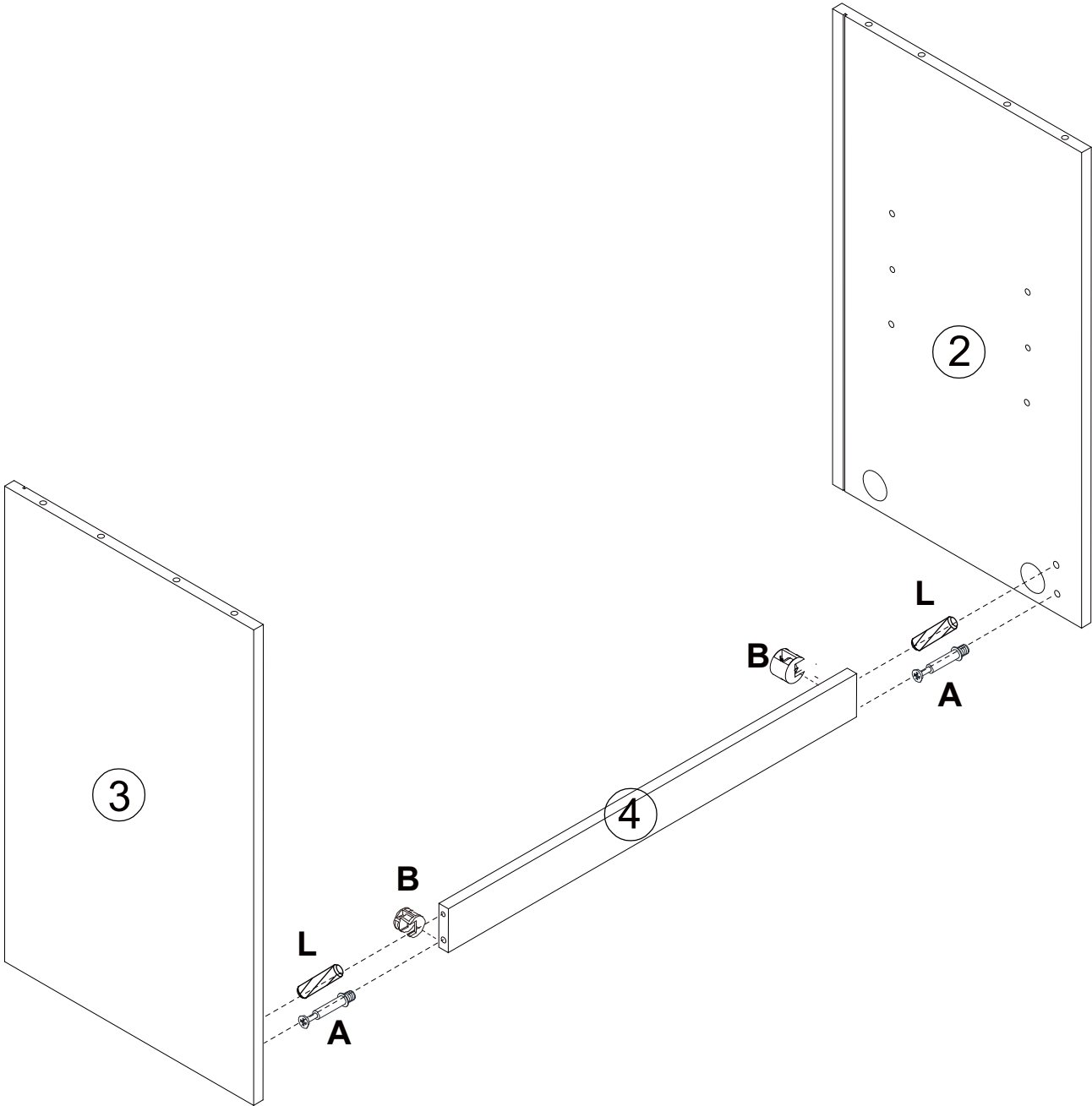
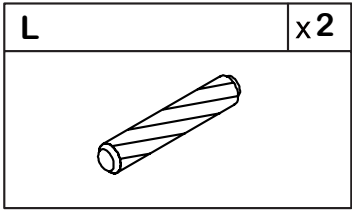
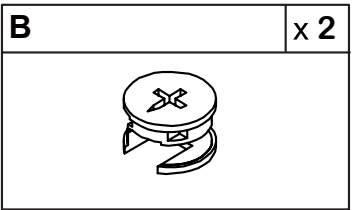
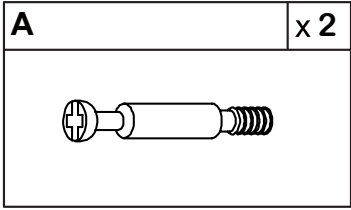
# Step 1



# Step 2

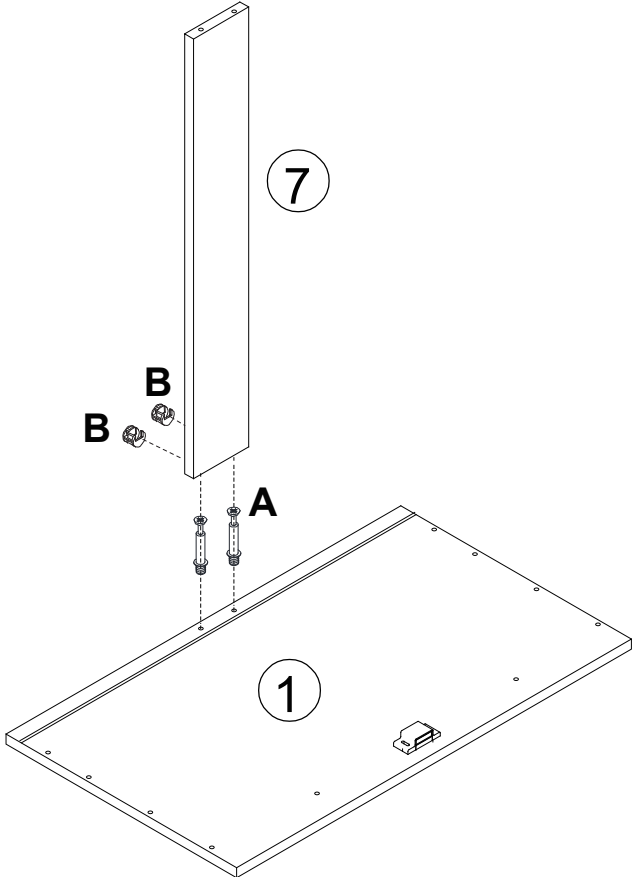
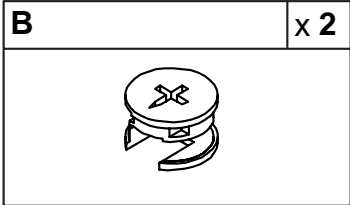
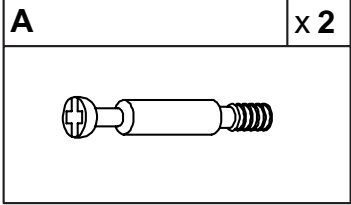


# Step 3

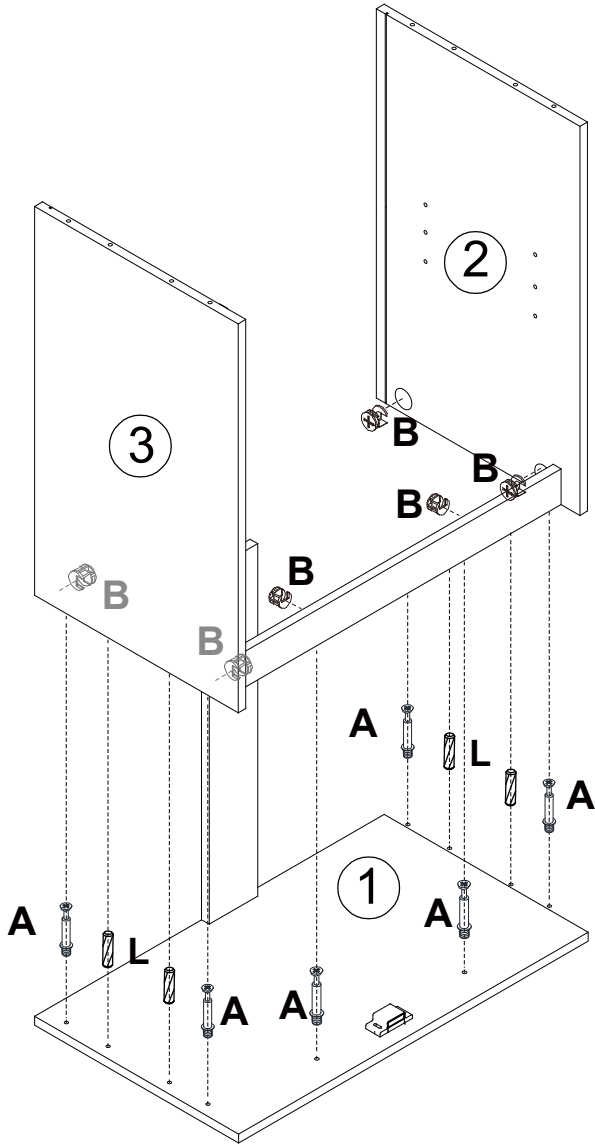
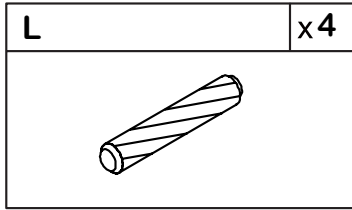
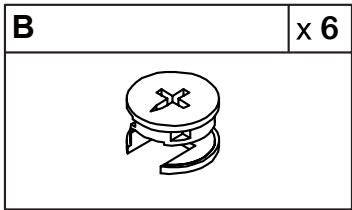
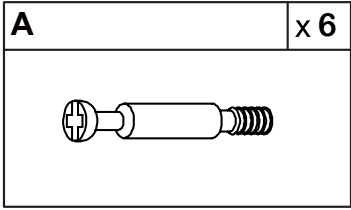




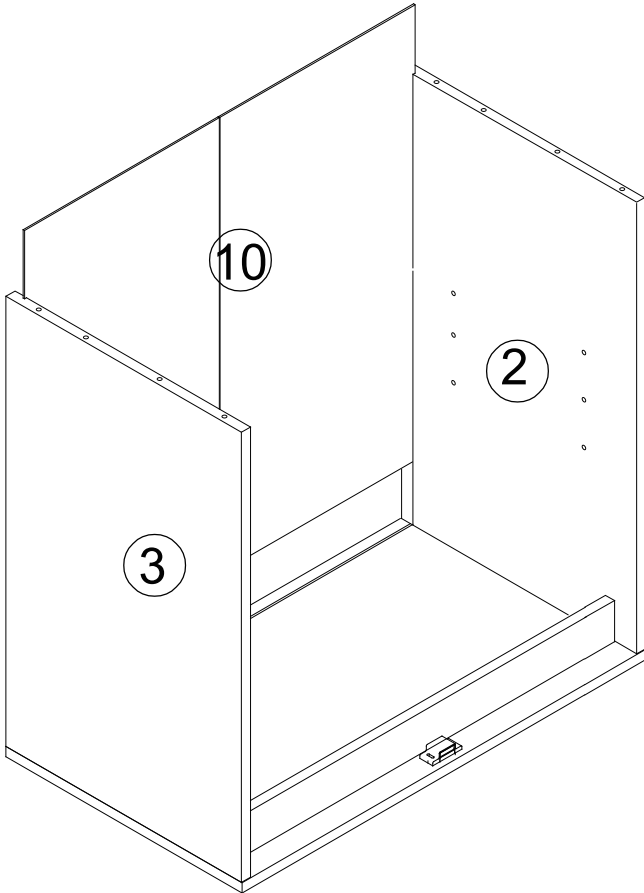
# Step 4



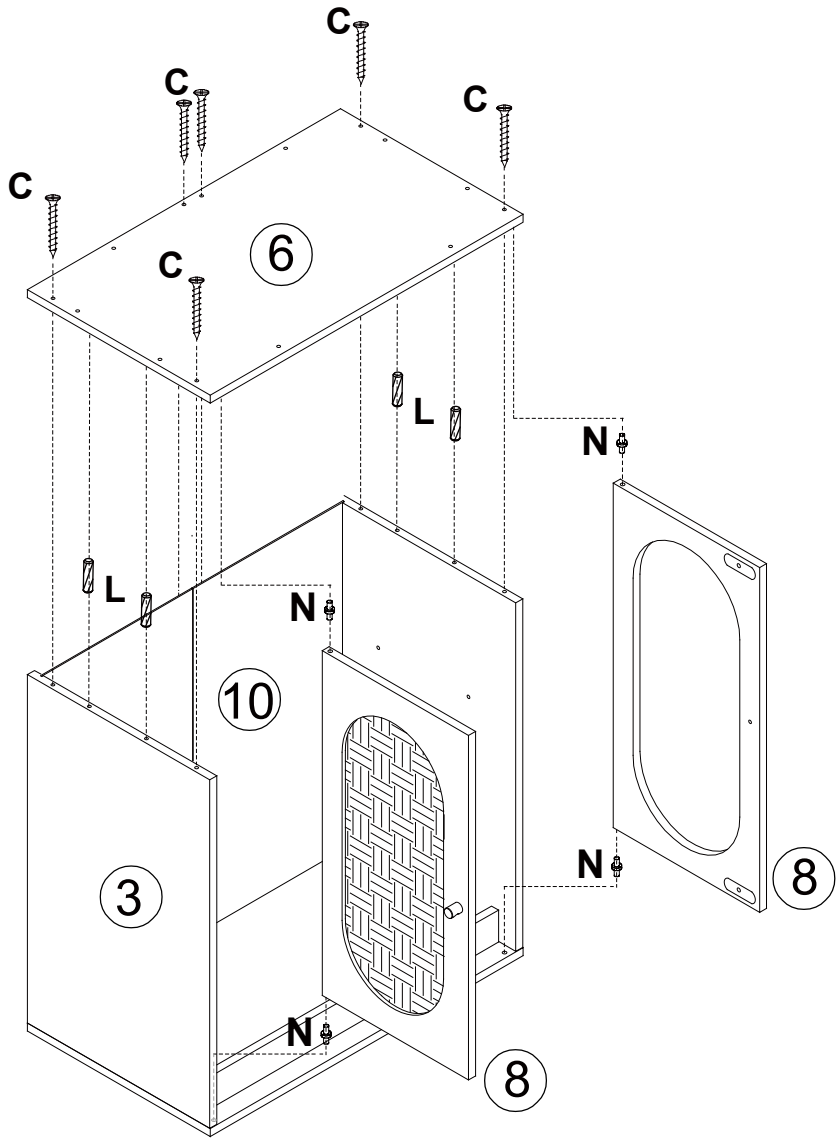
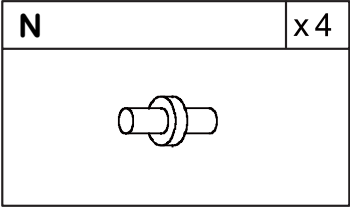
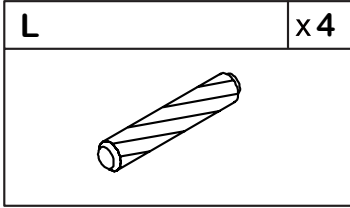
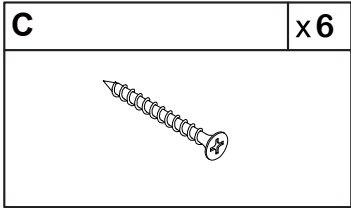
# Step 5



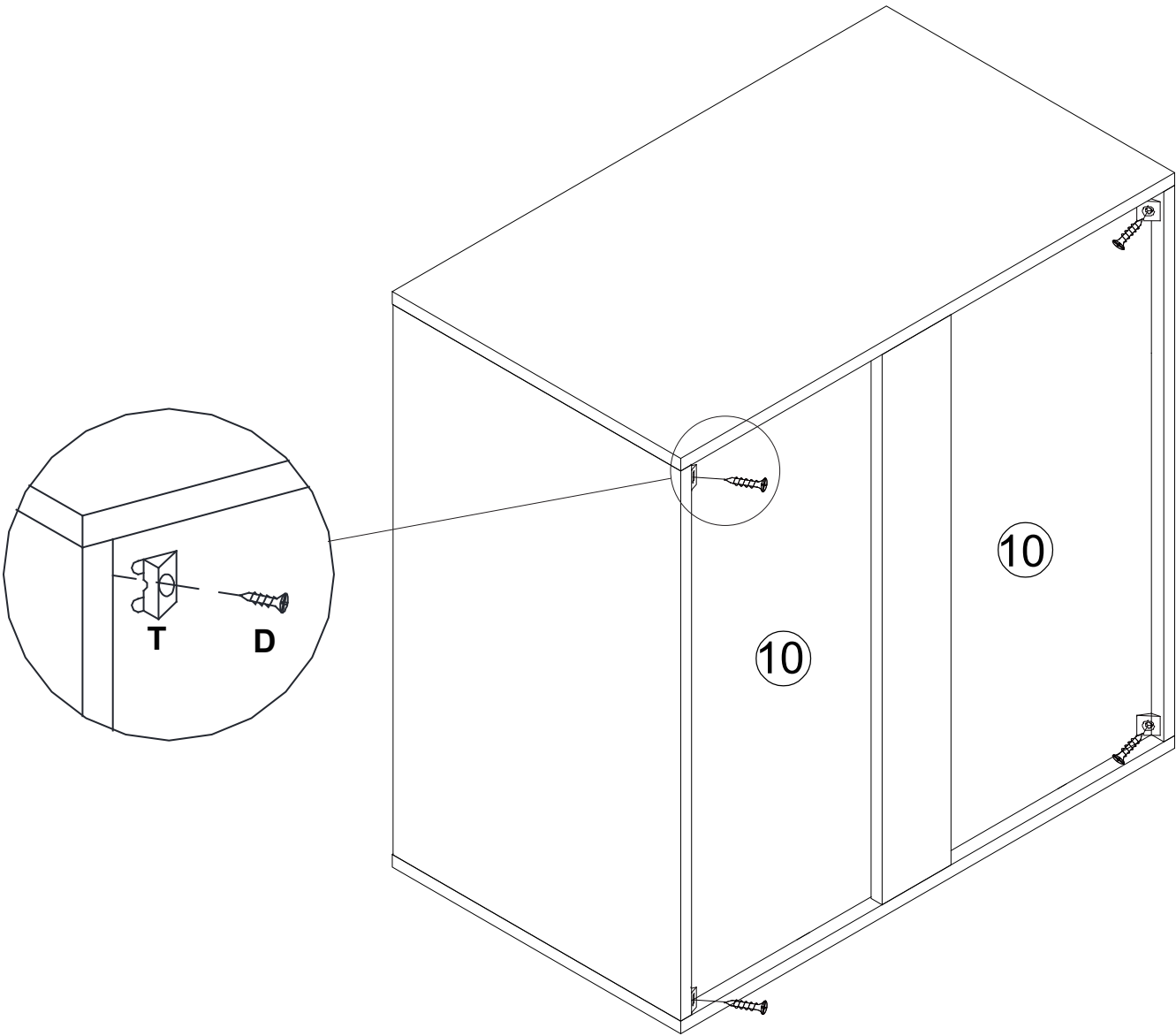
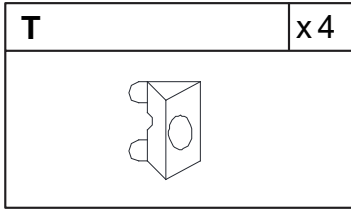
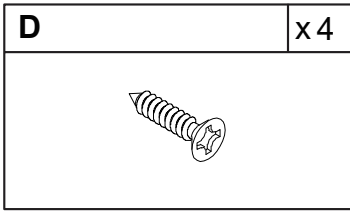
# Step 6




# Step 7

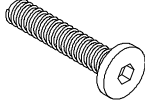


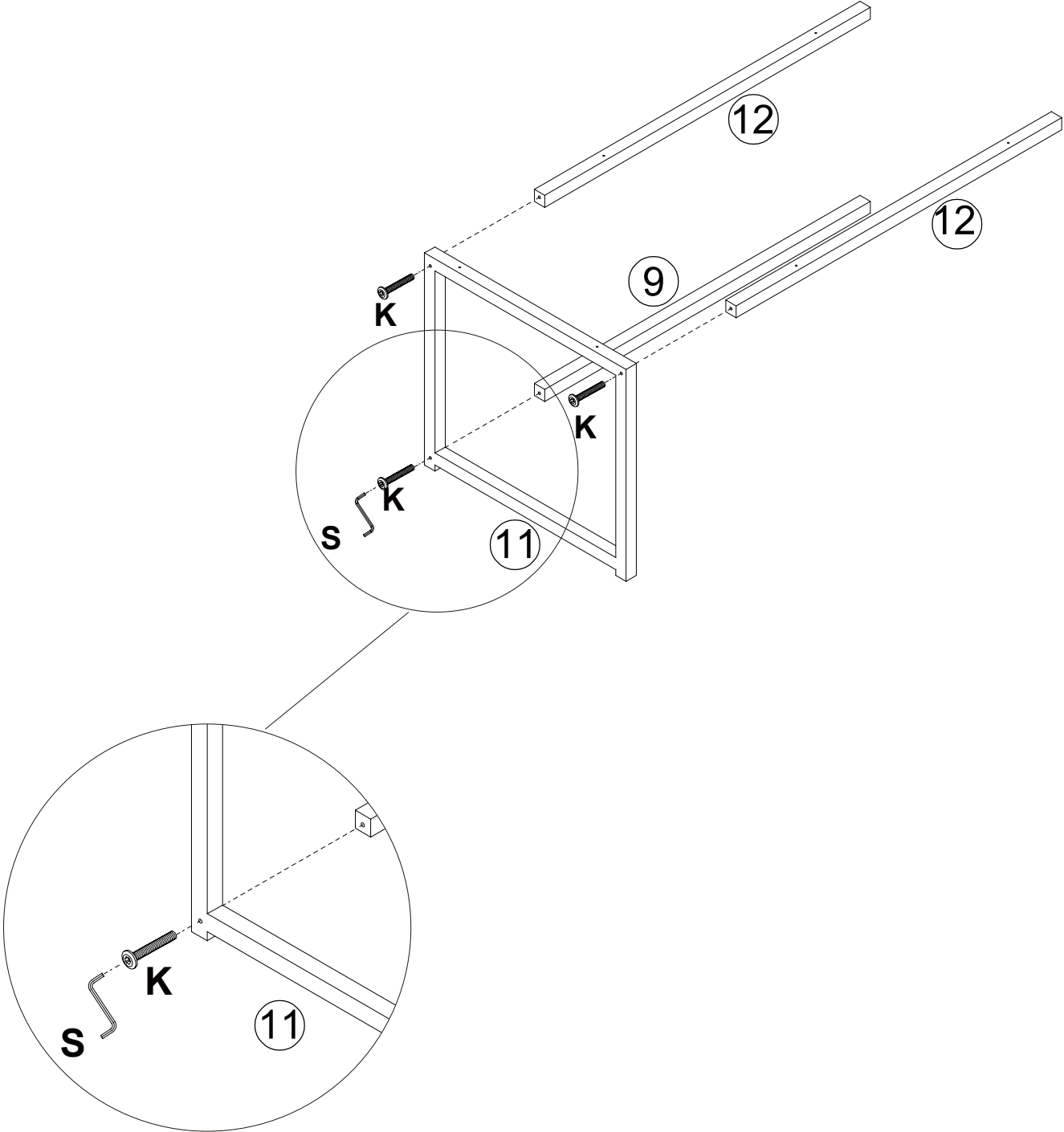
# Step 8




# Step 9

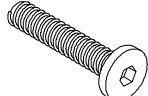
<b>S</b>	x1
	

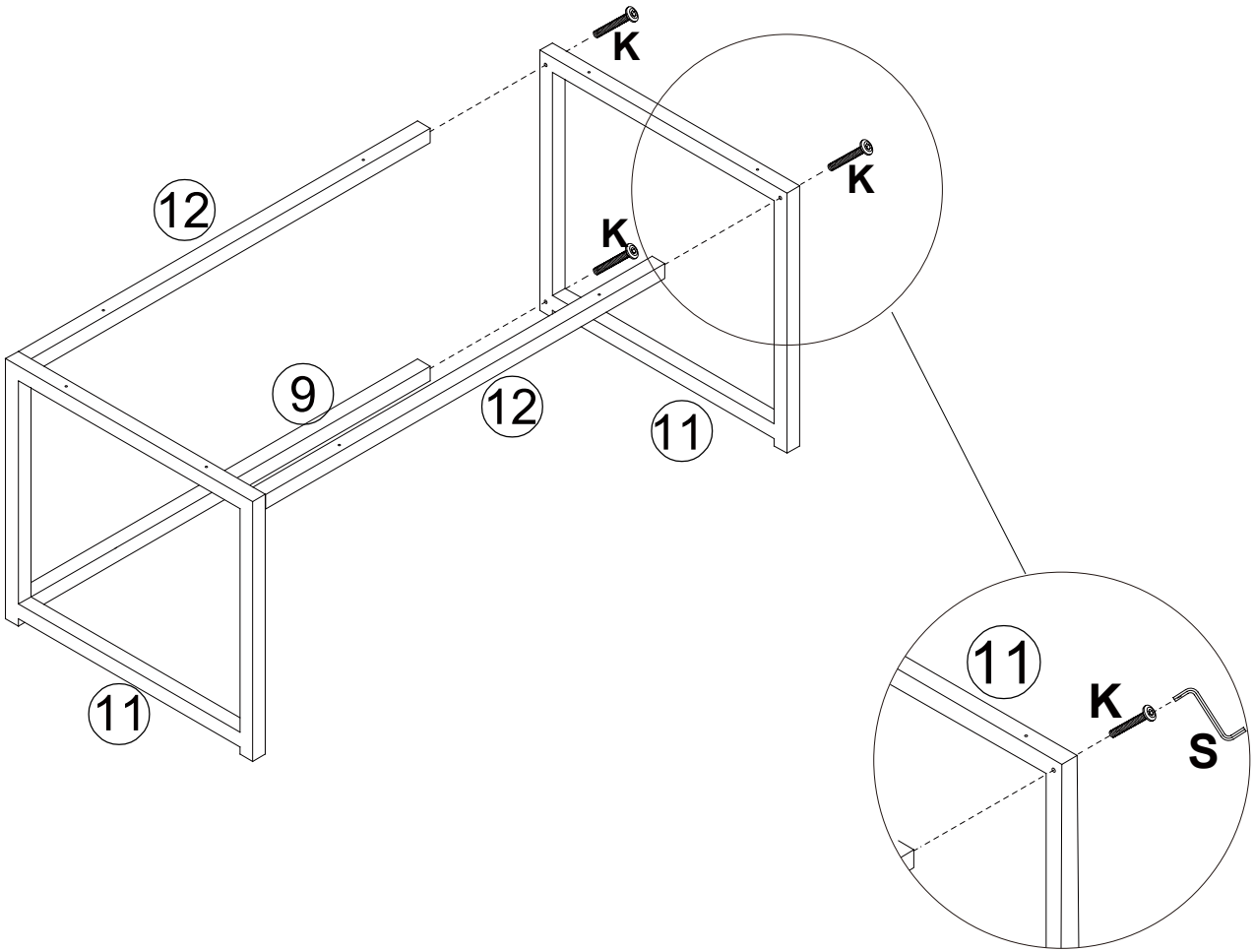
<b>K</b>	x3
	




# Step 10

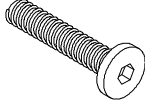
<b>S</b>	<b>x1</b>
	

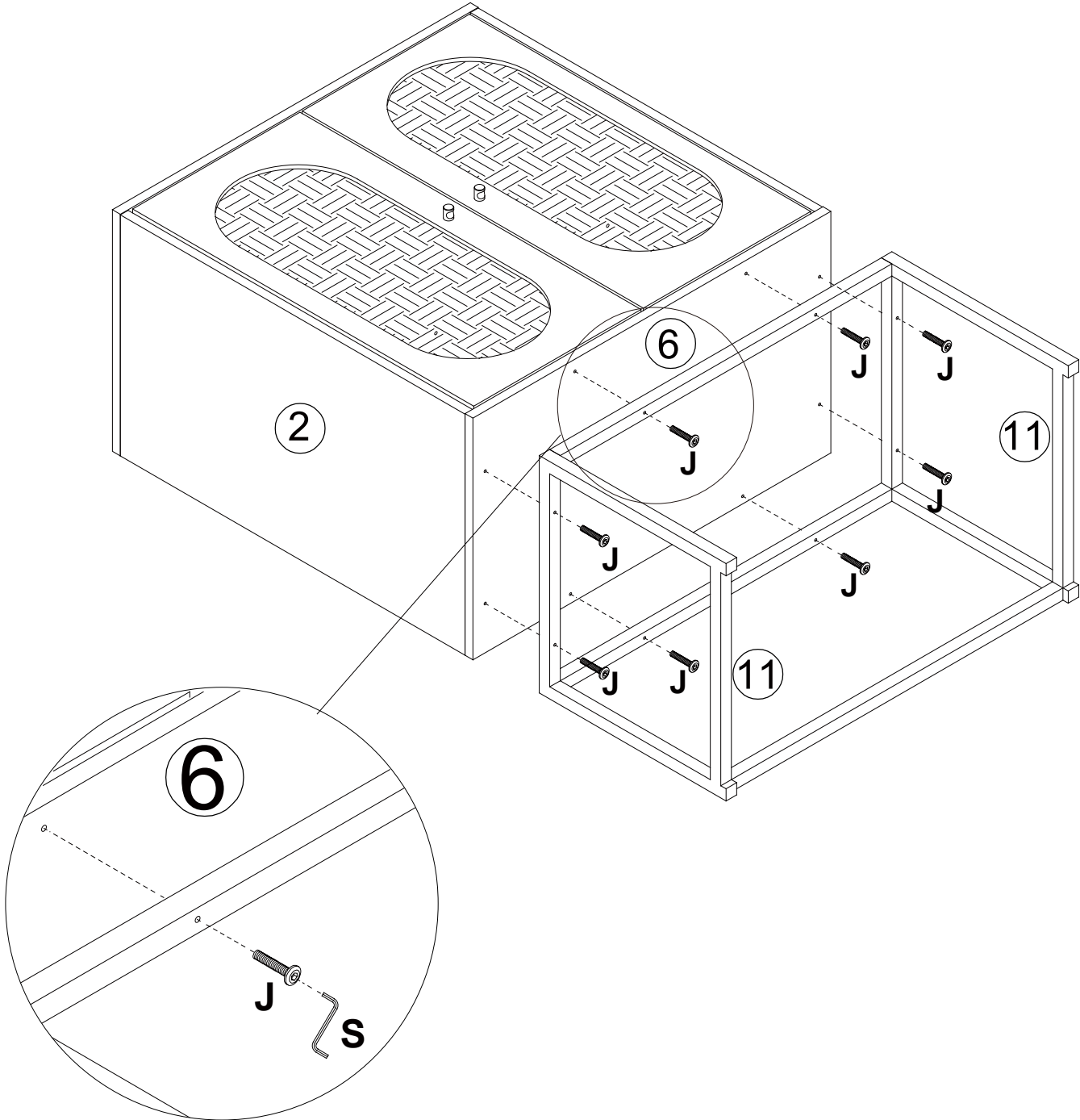
<b>K</b>	<b>x3</b>
	



# Step 11

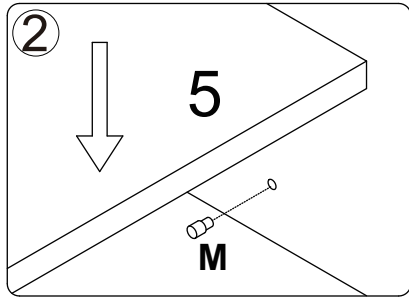
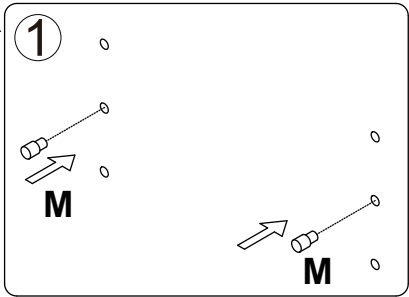
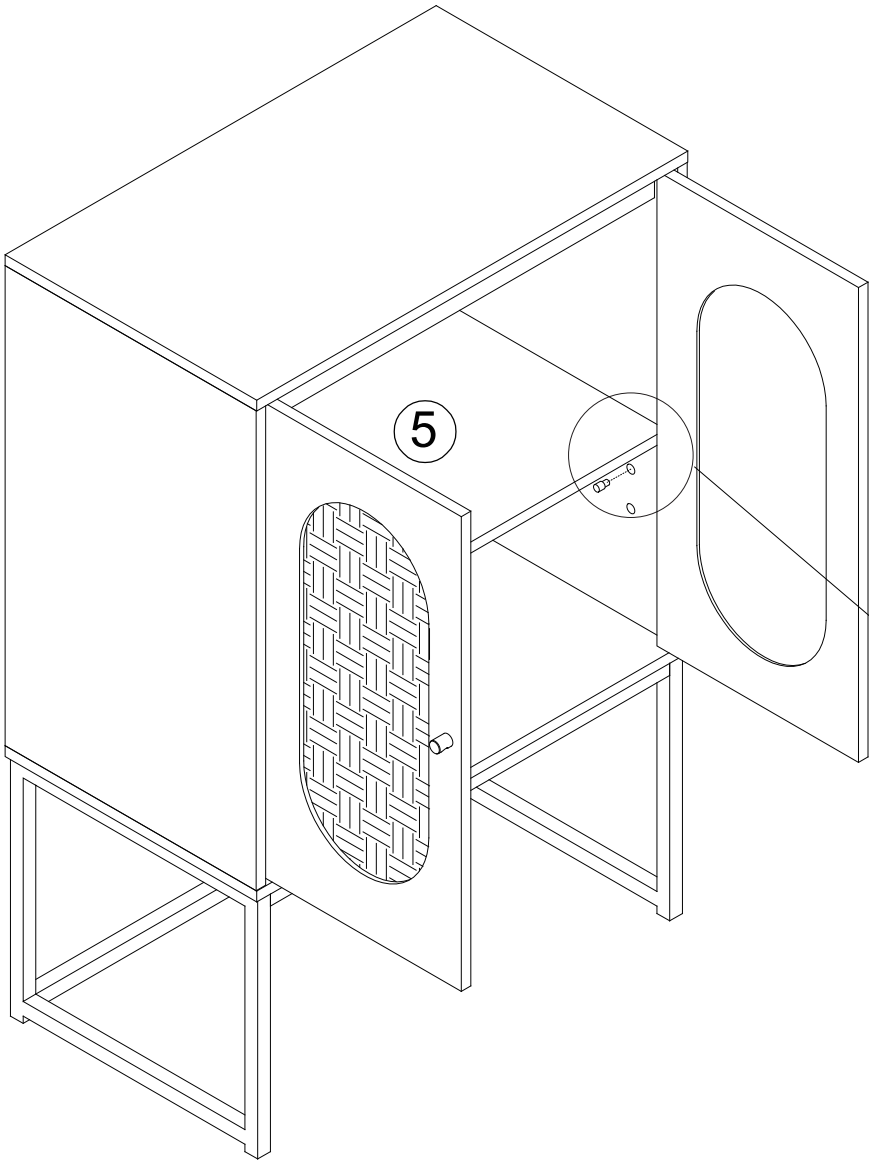
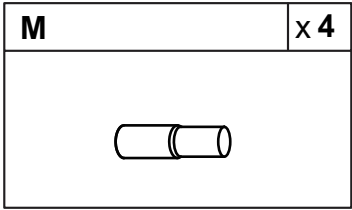
<b>S</b>	<b>x1</b>
	

<b>J</b>	<b>x8</b>
	

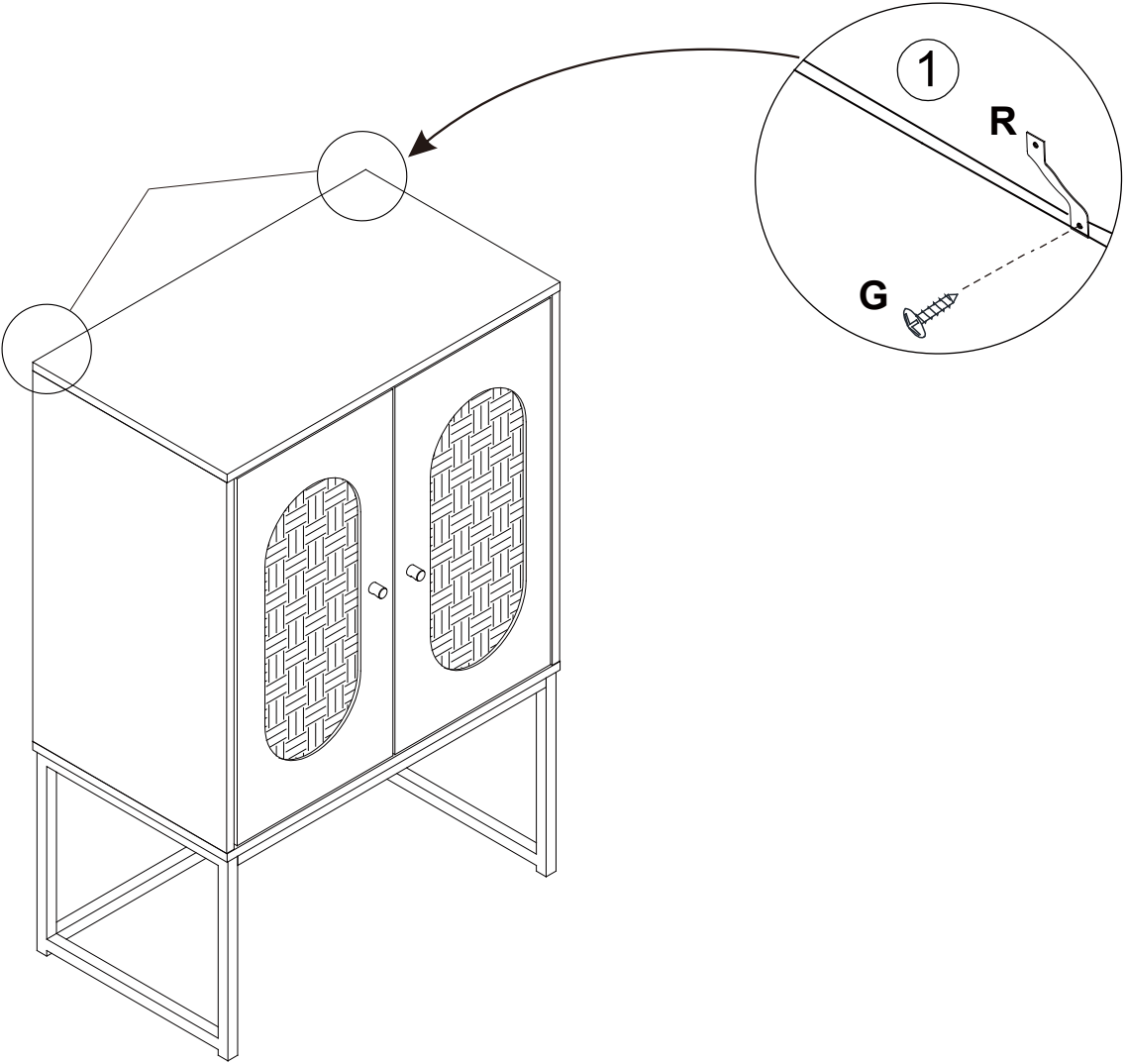
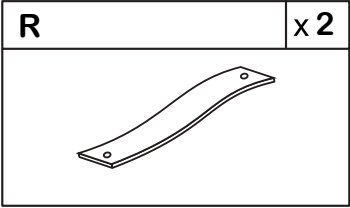
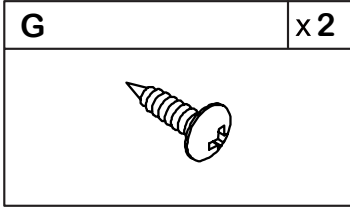




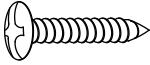
# Step 12




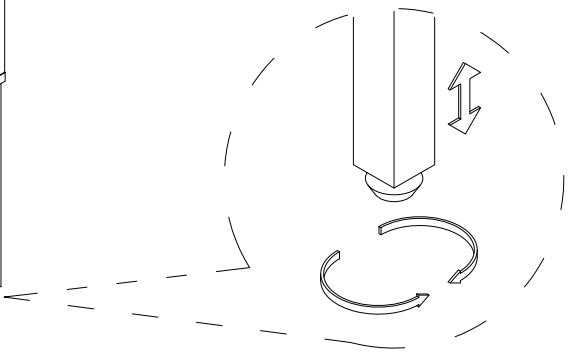
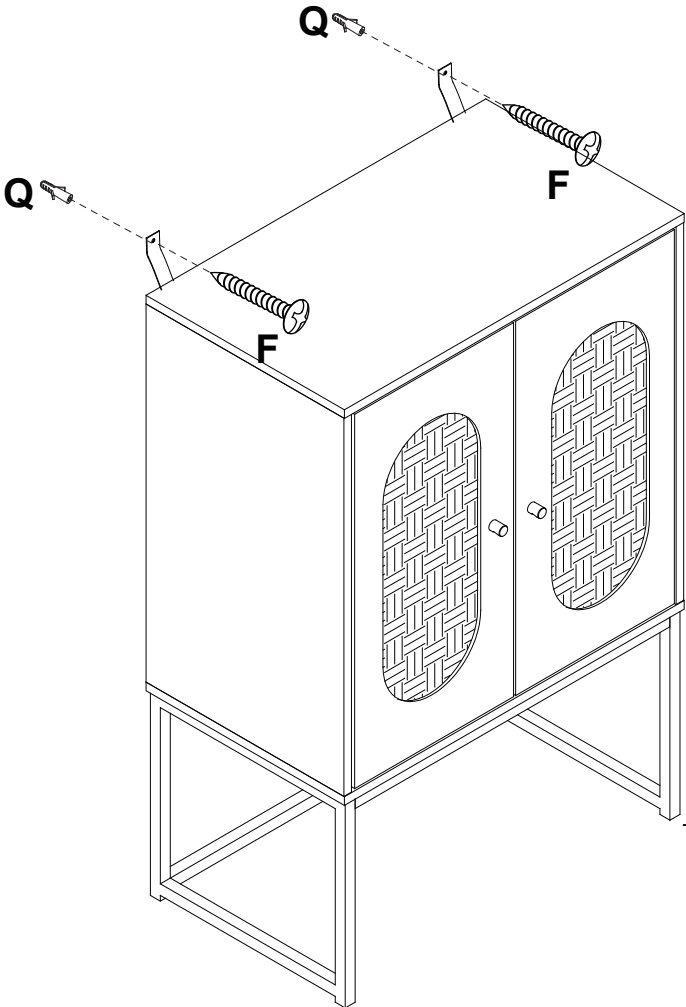
# Step 13



# Step 14

<b>F</b>	<b>x2</b>
	

<b>Q</b>	<b>x2</b>
	



# Proper Use

- DO NOT** use for commercial purposes
- DO NOT** use as a step stool or stand on table
- DO NOT** put hot serving liquid directly on the table top
- DO NOT** leave spilled liquid on the table top
- DO NOT** use table if damaged
- DO NOT** exceed weight limit
- DO NOT** make temporary repairs
- DO NOT** use outdoor