

Installation Instruction

For One Piece Toilet

Thanks for your selecting our toilets. To ensure this product is installed properly, please read these instructions carefully before you begin.



IMPORTANT!

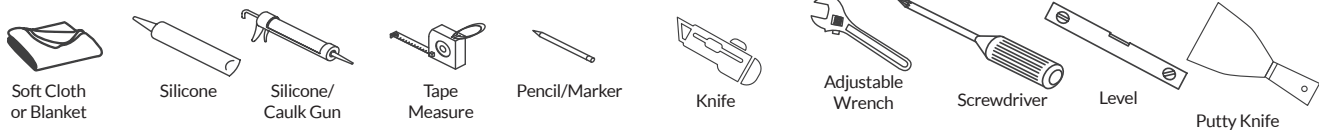
PRODUCT IS FRAGILE. TO AVOID BREAKAGE AND POSSIBLE INJURY HANDLE WITH CARE

The toilet must be installed by a fully insured and licenced plumber only.

Also be sure the installation conforms to local plumbing and building codes.

Check if all the fittings are complete and make sure the toilet is no crack before installation

TOOLS REQUIRED FOR INSTALLATION



REMOVE OLD TOILET

Shut off main water supply prior to installation!

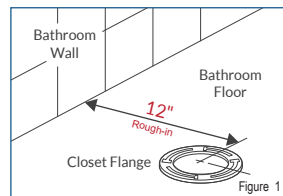
1. Shut off water supply line. If you do not have shut-off valve near the toilet shut off main water supply line.
2. Remove remaining water from tank and bowl with a sponge or towel..
3. Disconnect and remove water supply line connected to the toilet's tank.
4. Remove old mounting hardware and old toilet. Be sure to plug floor waste opening to prevent escaping sewer gases
5. Remove closet bolts from flange and clean away old wax, putty, etc. from base area.

NOTE: Mounting surface must be clean and level before new toilet is installed!

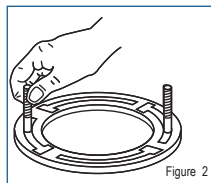
INSTALL NEW TOILET

(THE TOILET DESIGN SHOWN BELOW IS FOR ILLUSTRATION PURPOSE ONLY)

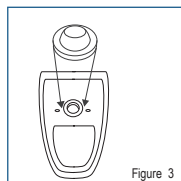
1. In order for your new toilet to fit correctly, check the rough-in dimensions (Distance from finished wall to center of mounting bolt holes must be 12". (see Figure 1)



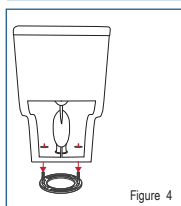
2. Insert 2 floor bolts inside of the toilet flange and slide the bolts through the holes and align bolts horizontally. (see Figure 2)



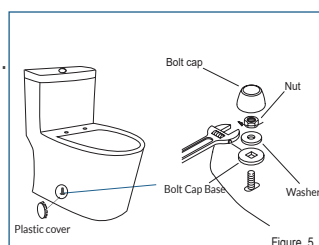
3. Carefully turn the toilet upside down on some padding. Firmly press a new wax ring onto the circular recess around the outlet opening. (See Figure 3)



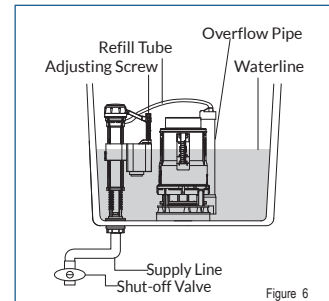
4. Turn the toilet upright and gently lower it into position over closet flange & bolts. With the toilet properly aligned, press down firmly on both sides of toilet rim to seat wax seal (CAUTION: Do not move toilet after the wax ring is set) (Figure 4)



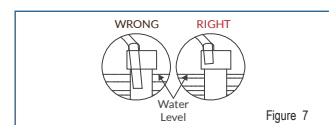
5. Install bolt cap bases, Washers, nut and bolt cap over the closet bolts via the opening holes on both side of bowl. Do not tighten the nuts. It may and will cause damage to the toilet's ceramic base. Then cover the opening holes with supplied plastic cover. (Figure 5)



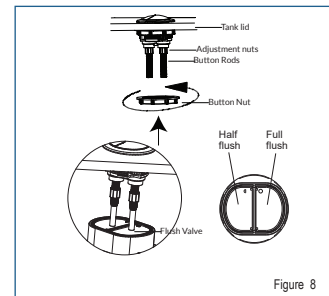
6. Connect the water supply line, and turn on the water. Flush several times, check for leaks. (see Figure 6)



7. If necessary, adjust the water level in the water tank. Turn the adjusting screw clockwise to raise the water or Turn the screw counter-clockwise to reduce water. (see Figure 6)

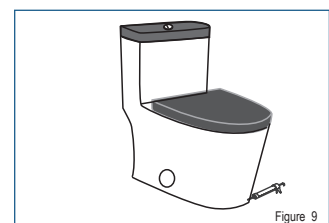


8. Make sure the refill tube is properly inserted into the overflow pipe of the flush valve. Refill tube should be positioned higher than water level. (see Figure 7)



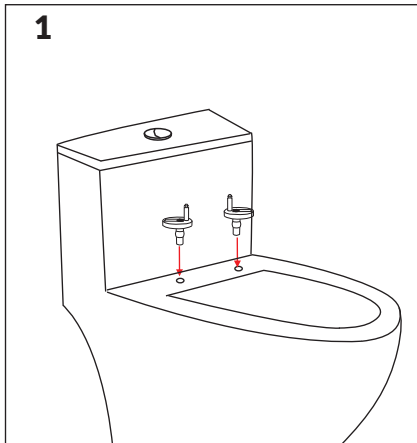
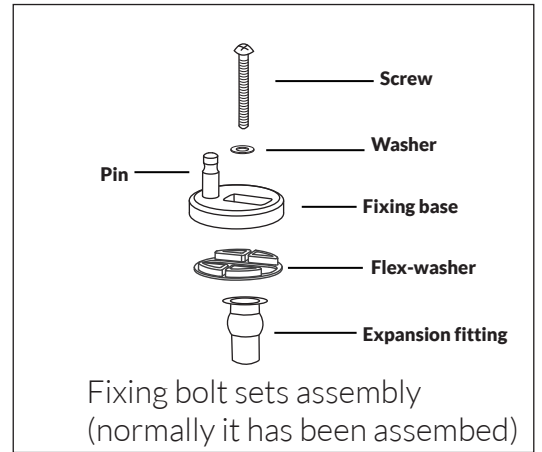
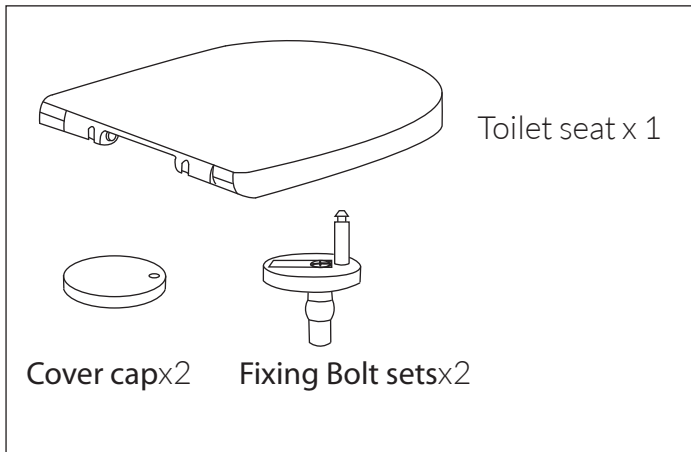
9. Install the push button on the tank lid. Make sure the button rods could touch the top surface of flush valves and ensure the buttons match the half and full flush. (Button rods could be adjusted by turning the adjustment nuts) (See Figure 8)

10. Put the tank lid on the tank. Install the seat cover in accordance with detailed manual on Page 2) (see Figure 9)

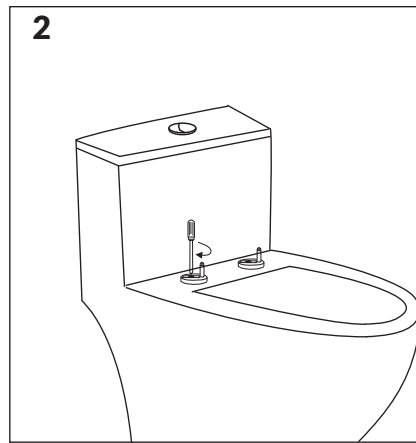


11. Apply the silicone around the base of the toilet. When the silicone is dry, check for leaks for the next several days (see Figure 9)

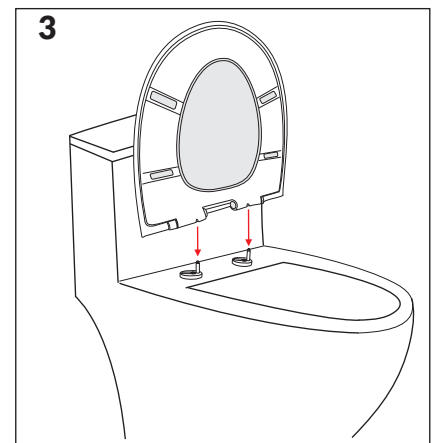
Toilet Seat Installation Instruction



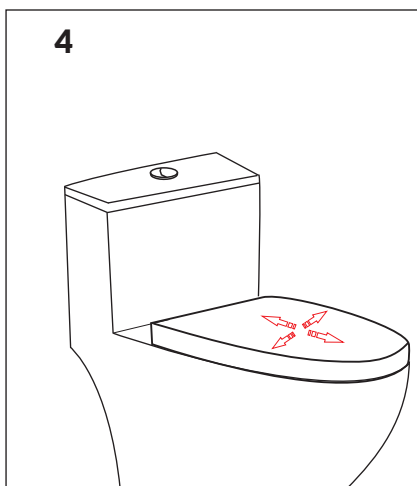
1. Insert the fixing bolt set into the seat holes of pan.



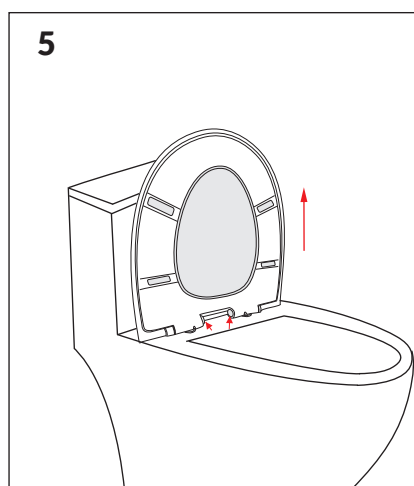
2. Using a screwdriver to temporarily tighten the bolts. (Do not full tighten). **Adjustability is required at this step in order to position the seat in following steps.**



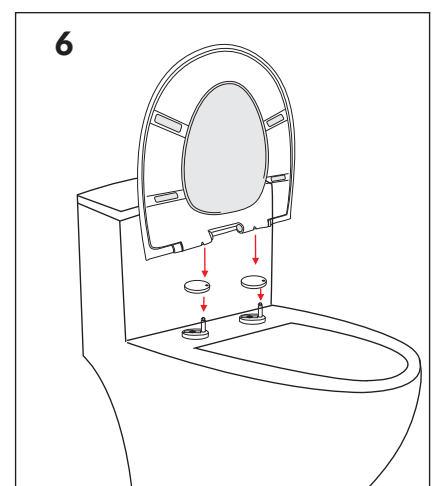
3. Place the seat vertically, align holes to pins and press down insert.



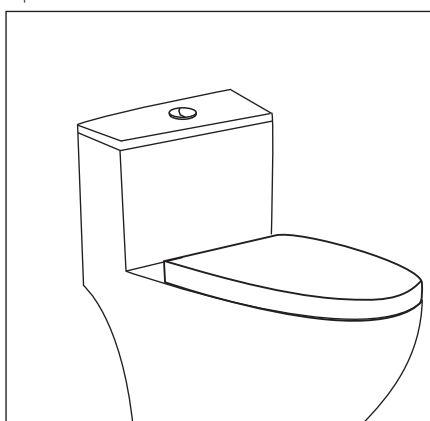
4. Close the toilet seat onto pan, adjust until the seat is located in a satisfactory position.



5. Push two release buttons to release the seat. Carefully lift the seat so that the position of the seat will not shift, then firmly tighten the screws.



6. Place the cover caps over the fixing base. And put the toilet seat back on the pins.



CLEANING

The toilet seat may be removed for cleaning - depress two release buttons and lift up. (see step 5)

Clean only with a soft cloth or sponge using warm water and mild soap or detergent.

Do not use any abrasive cleaning materials.

Do not use any solvents or corrosive liquids.