



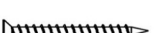




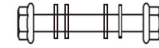

ASSEMBLY INSTRUCTIONS

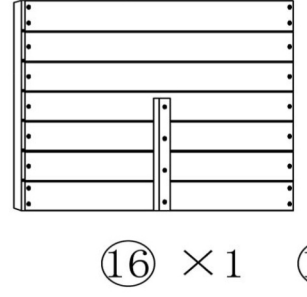
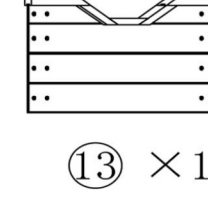
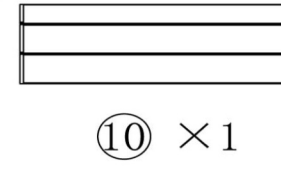
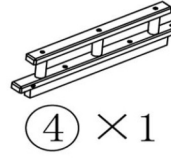
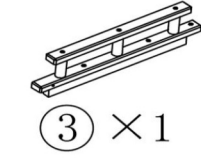
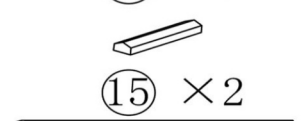
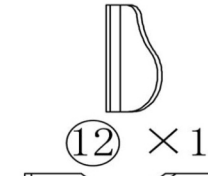
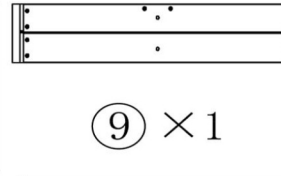
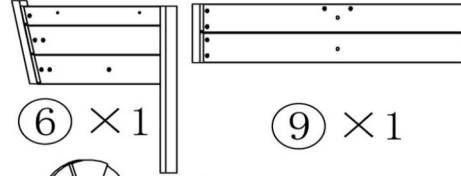
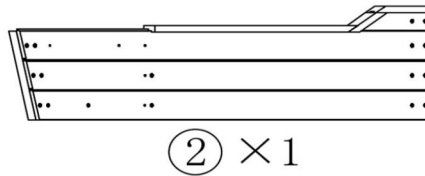
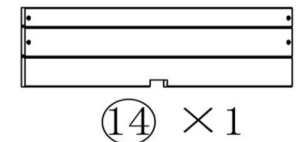
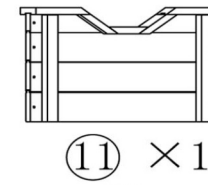
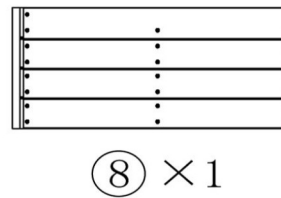
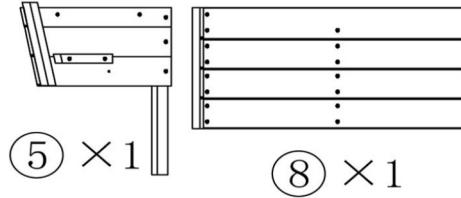
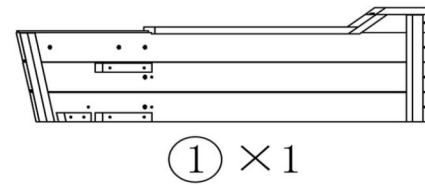


CAUTION

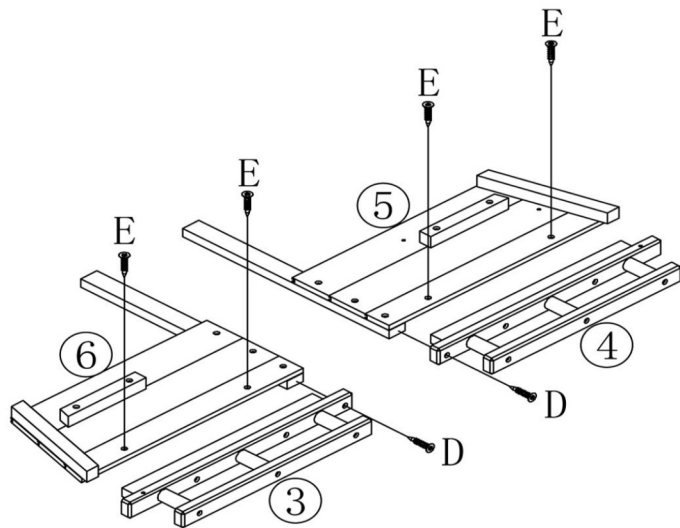
This item shall be assembled by adult

In unsssembled state, it might involve small parts and sharp points like screws which need to keep out of children's reach

- A  M6×75mm 1PC
- B  M6×60mm 1PC
- C  3.5×45mm 2PCS
- D  3.5×30mm 5PCS
- E  3×22mm 56PCS
- F  3.5×60mm 1PC
- G  1PC
- H  M6×70mm 1PC
- I  3X18mm 4PCS

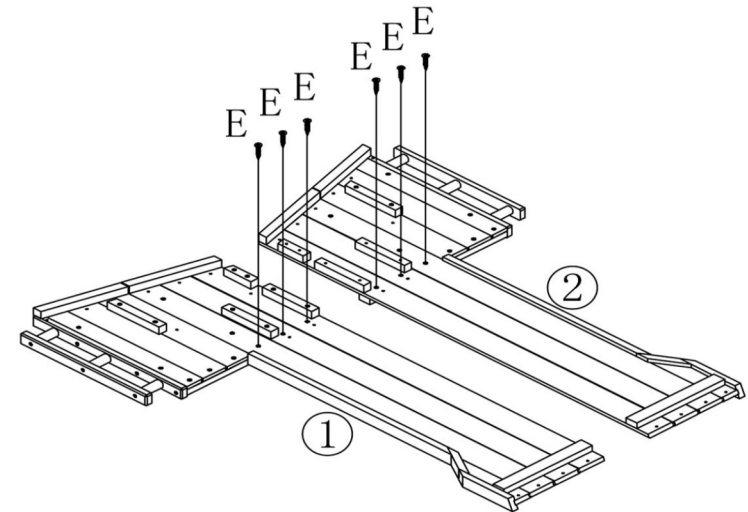


1



D*2
E*4

2



E*6



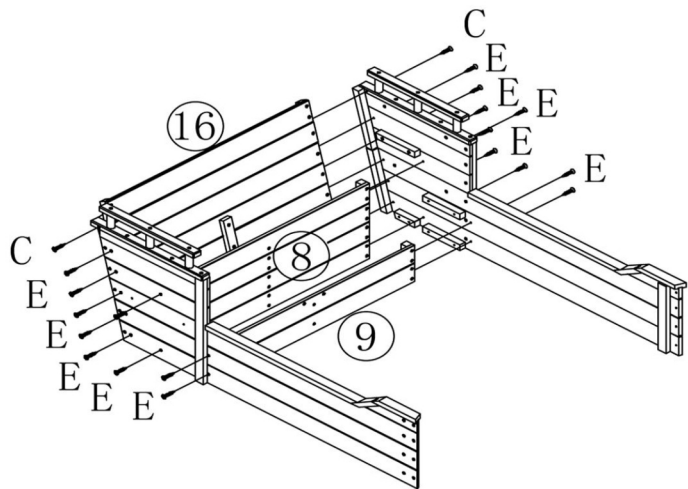
CAUTION

This item shall be assembled by adult

In unsembled state, it might involve small parts and sharp points like screws which need to keep out of children's reach

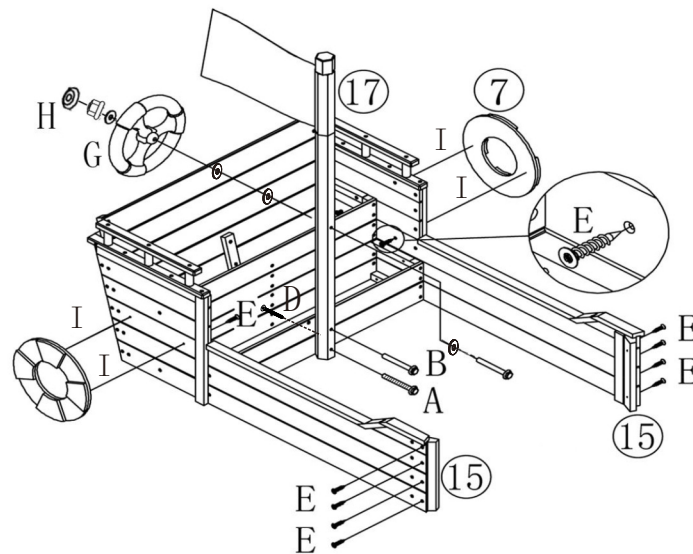
3

C*2
E*18



4

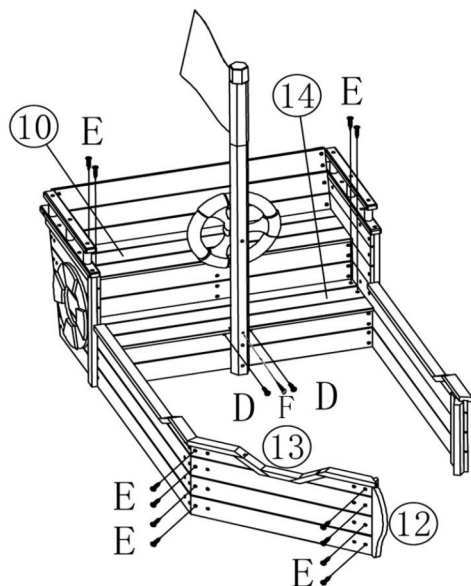
A*1
B*1
D*1
E*8
H*1
I*4



Attention: Please fix back part of Red color area Part 7 by screws .

5

D*2
E*12
F*1



6

E*8

