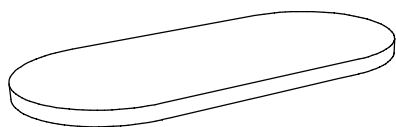
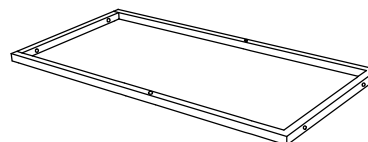


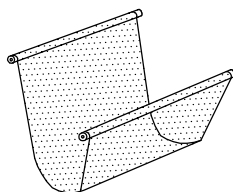
A x 1



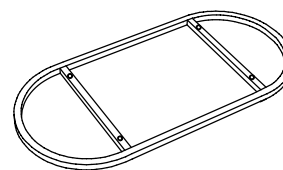
B x 2



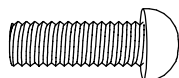
C x 1



D x 1

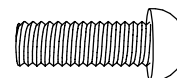


E x 8



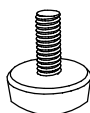
Bolt M6x25

F x 4



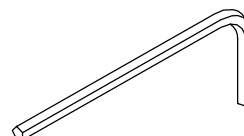
Bolt M6x20

G x 4



M4x17/D10

H x 1



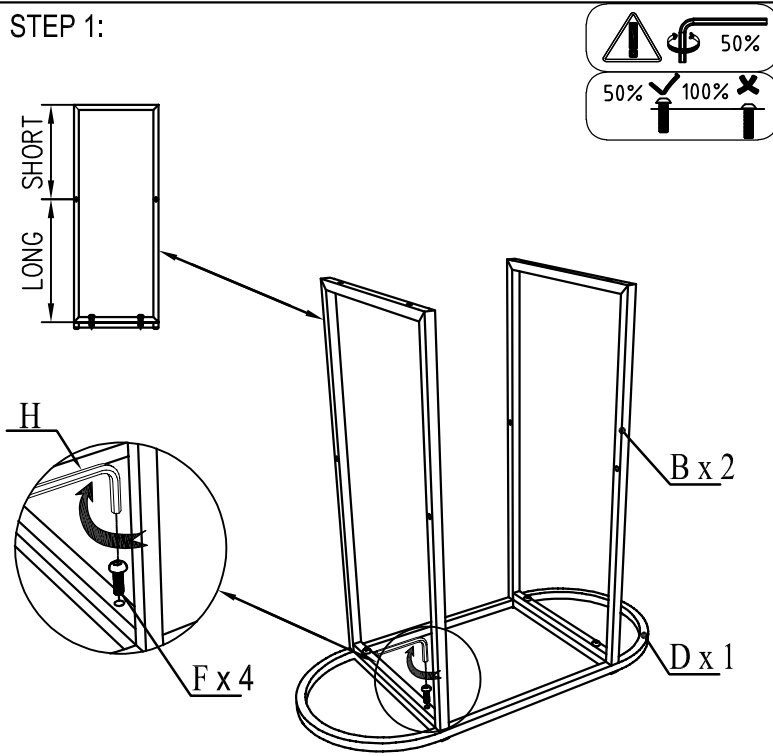
Allen Key 4

* Please check all the parts listed . Find the hardwares attached to the package's bottom by A RED STRING. Contact us if you have damaged or missing any components.
 * Please watch and follow our assembly video on our product page.
 *You can use ELECTRIC SCREWDRIVER for easier assembly.

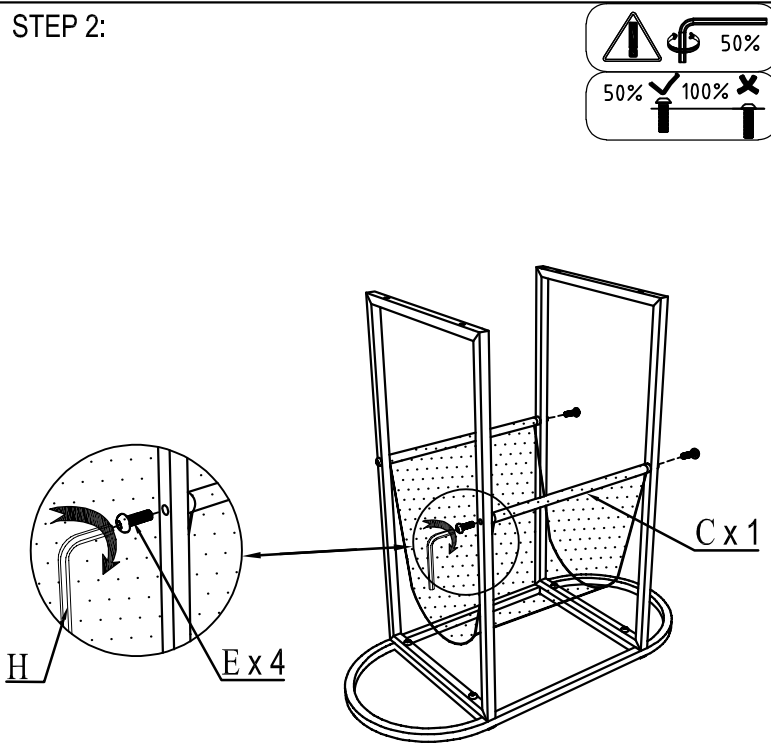
II. PRODUCT ASSEMBLY

"DO NOT tighten the screws until all of parts set into correct position"

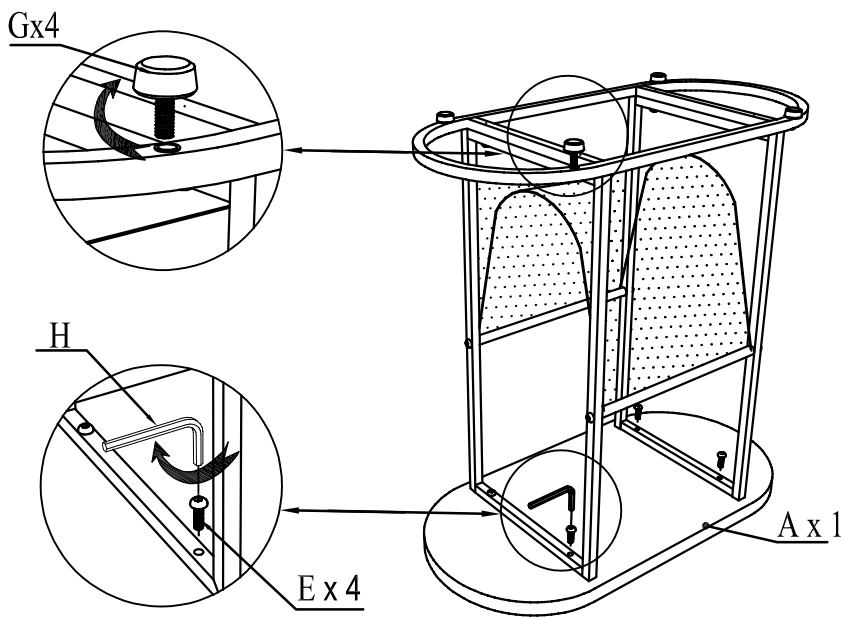
STEP 1:



STEP 2:



STEP 3:



STEP 4:

