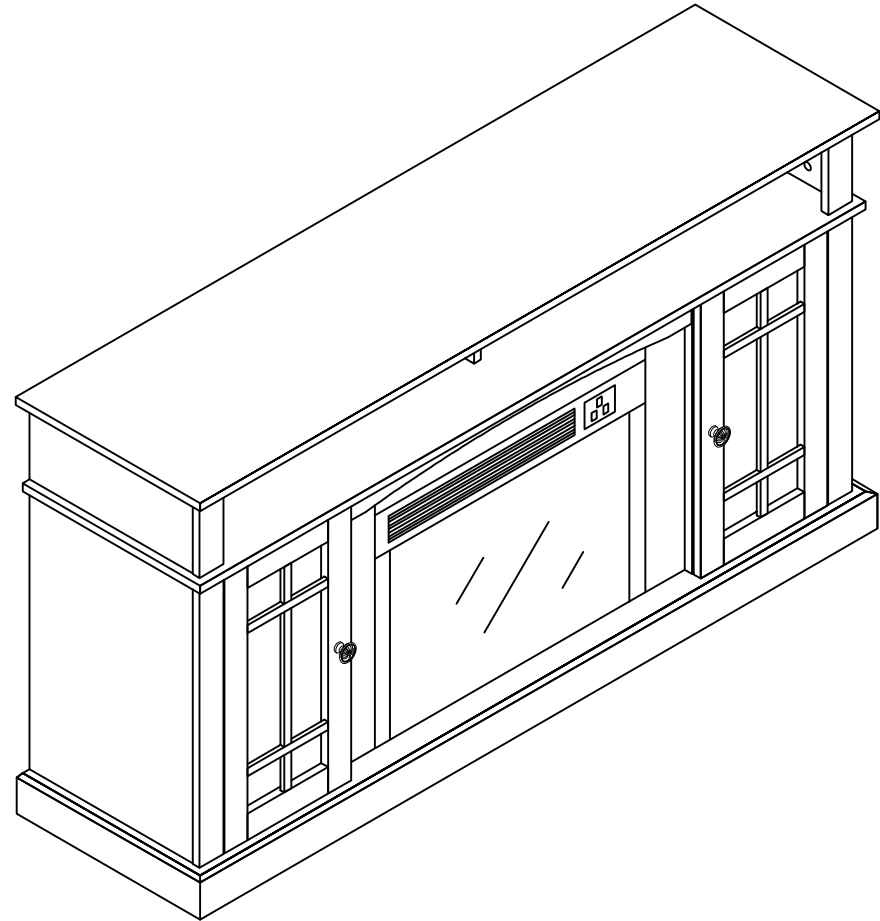


Assembly Instructions



Thank you for your purchase.

Please follow the instructions below for correct the assembly.

▲ For higher efficiency, we recommend to use a power drill; the power drill should be set on the low speed to avoid screw stripping.

▲ CAUTION

This package contains small parts and hardwares; keep it from children to avoid accidental swallowing

Disclaimer

All information provided in this manual, including but not limited to notes, pictures, instructions, schematic diagrams, assembly procedures and safety precautions, is in good faith and every reasonable effort has been made to ensure that the provided information is proper, correct and accurate to the best of the manufacturer's knowledge.

Under no circumstance shall the manufacturers, the distributors, the sales agents and the associates, contractors and employees of the above organizations be held liable for any direct, indirect, consequential or incidental losses, damages, injuries or accidents of any kind incurred as a result of the assembly, adjustment and use of the furniture contained in this box. By reading this manual and decide to proceed, you are deemed to agree to accept full personal responsibility and liability for any possible personal injury or damage you suffer from your actions, directly or indirectly, arising out of or in connections with the assembly, adjustment and use of the furniture.

Caution



Personal injury can occur during the assembly and adjustment of the furniture contained in this box. You will be solely responsible for your personal safety and potential injuries.

PPE Recommendation

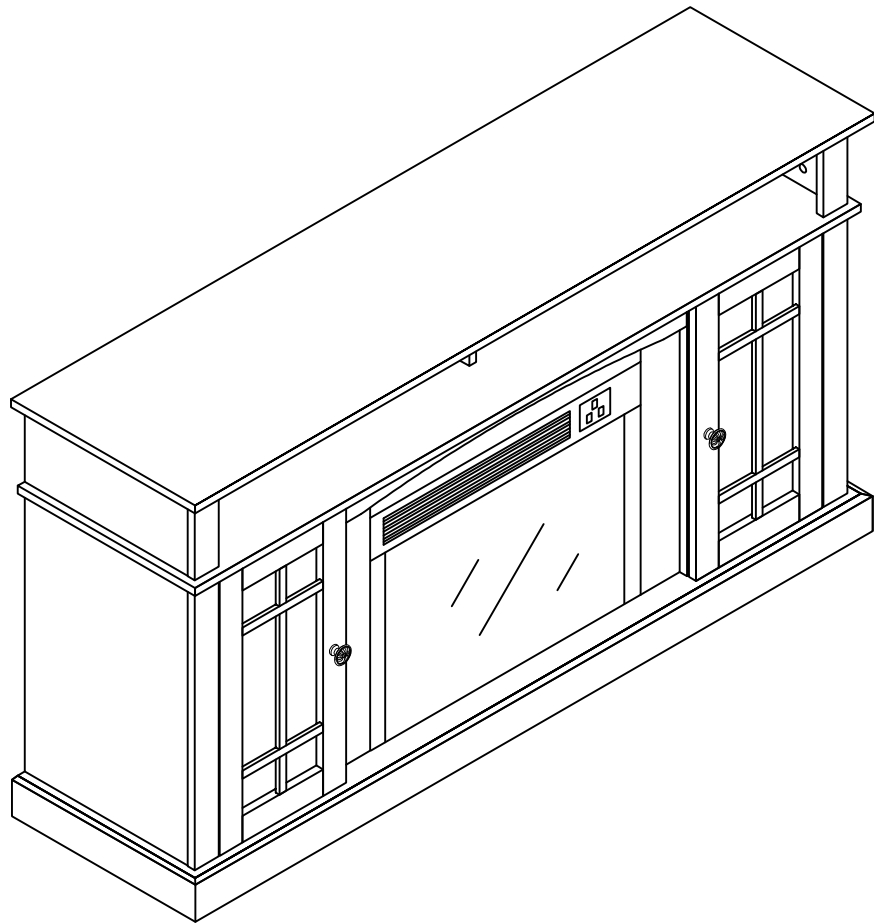
Proper PPEs (Personal Protection Equipment) are recommended to use during assembly and adjustment of the furniture.

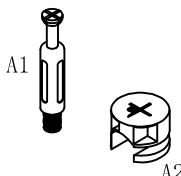
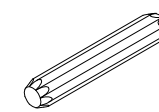



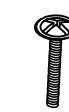
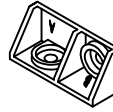
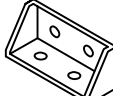
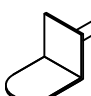
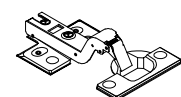
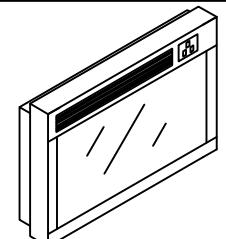


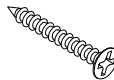

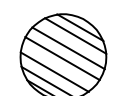
Gloves

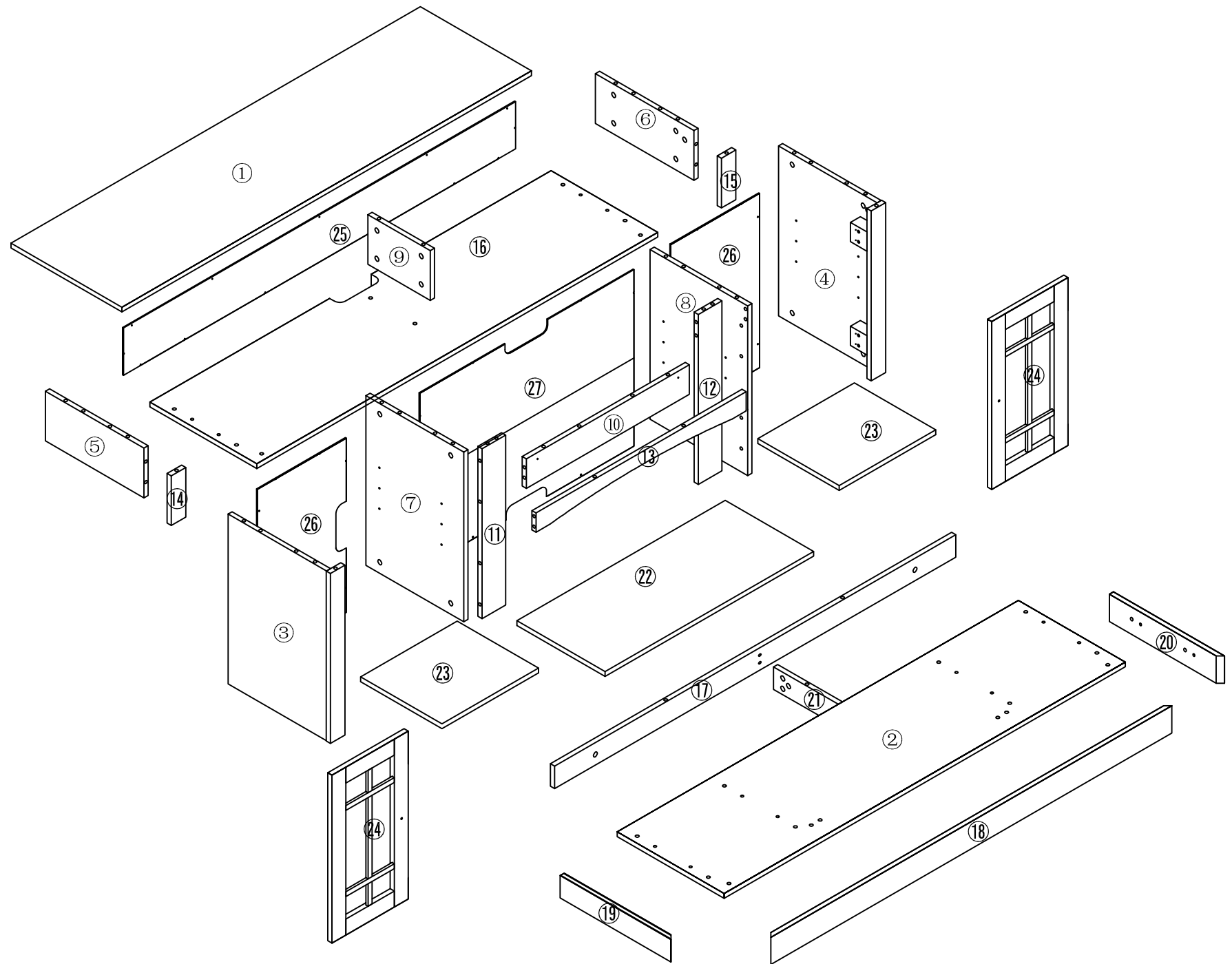


Safety
Goggles

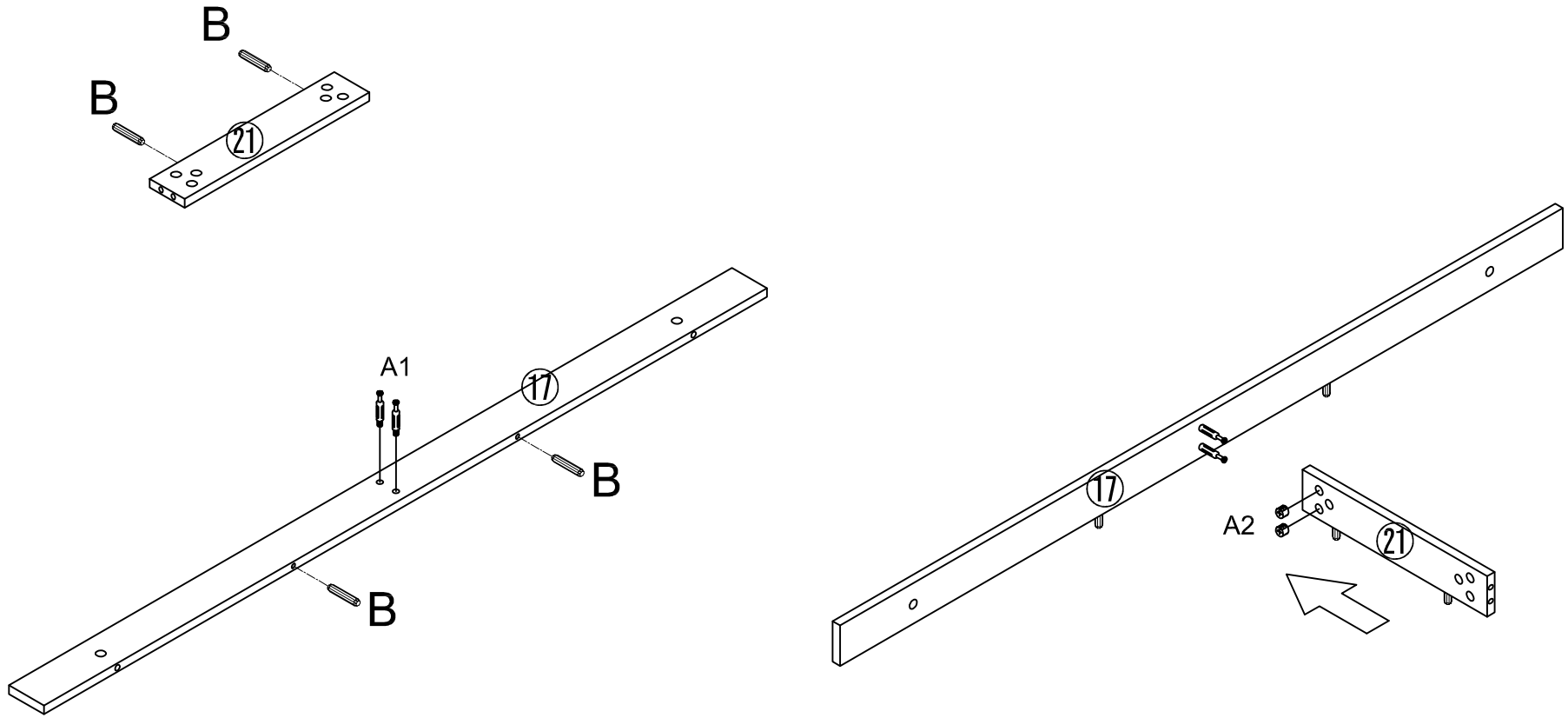




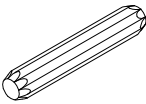


 <p>A1 A2</p>	 <p>Φ8*40</p>	 <p>USB-LED</p>	 <p>L1 L2</p>
<p>A 50pcs</p>	<p>B 56pcs</p>	<p>C 1pc</p>	<p>D 4pcs</p>
	 <p>Φ4*20</p>		
<p>E 2pcs</p>	<p>F 2pcs</p>	<p>G 8pcs</p>	<p>H 4pcs</p>
			 <p>Φ4.2*16</p>
<p>I 12pcs</p>	<p>J 4pcs</p>	<p>K 1pc</p>	<p>L 27pcs</p>
 <p>Φ3.5*14</p>	 <p>Φ3.5*20</p>	 <p>M6*10</p>	
<p>M 36pcs</p>	<p>N 2pcs</p>	<p>O 16pcs</p>	<p>P</p>

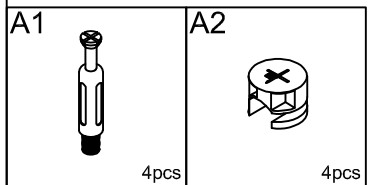
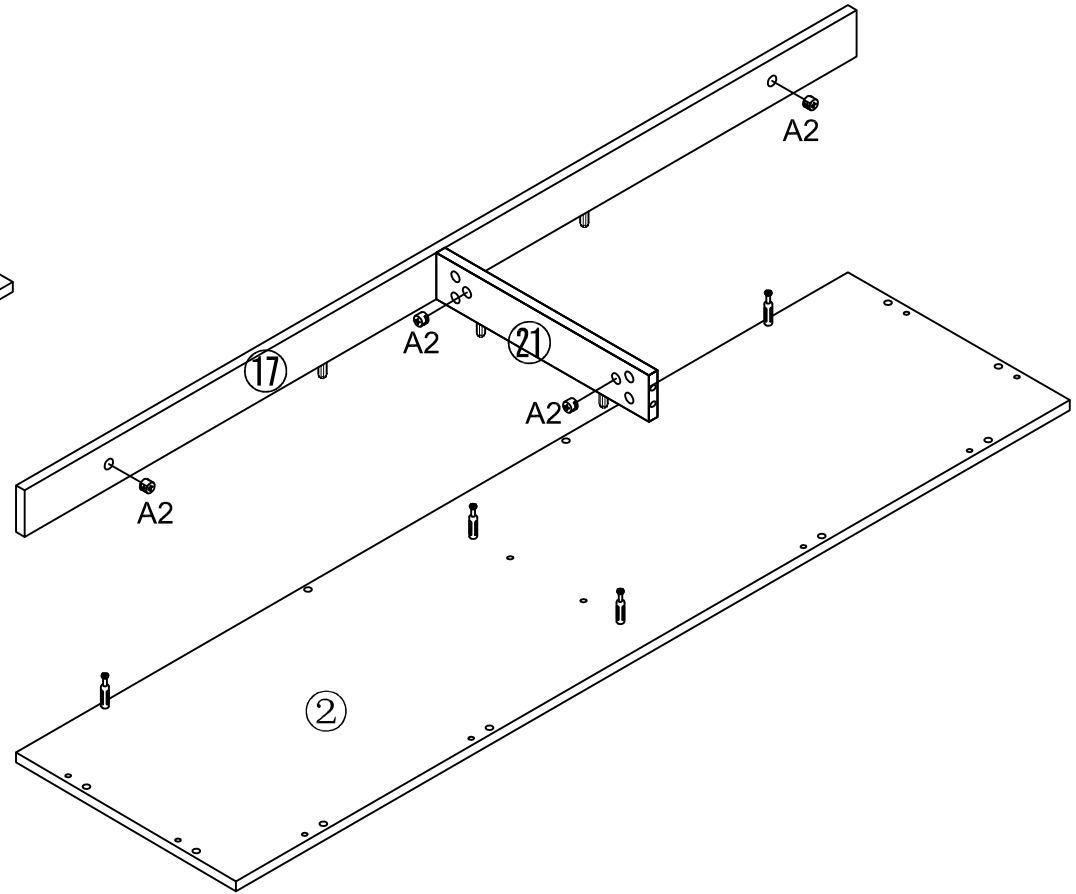
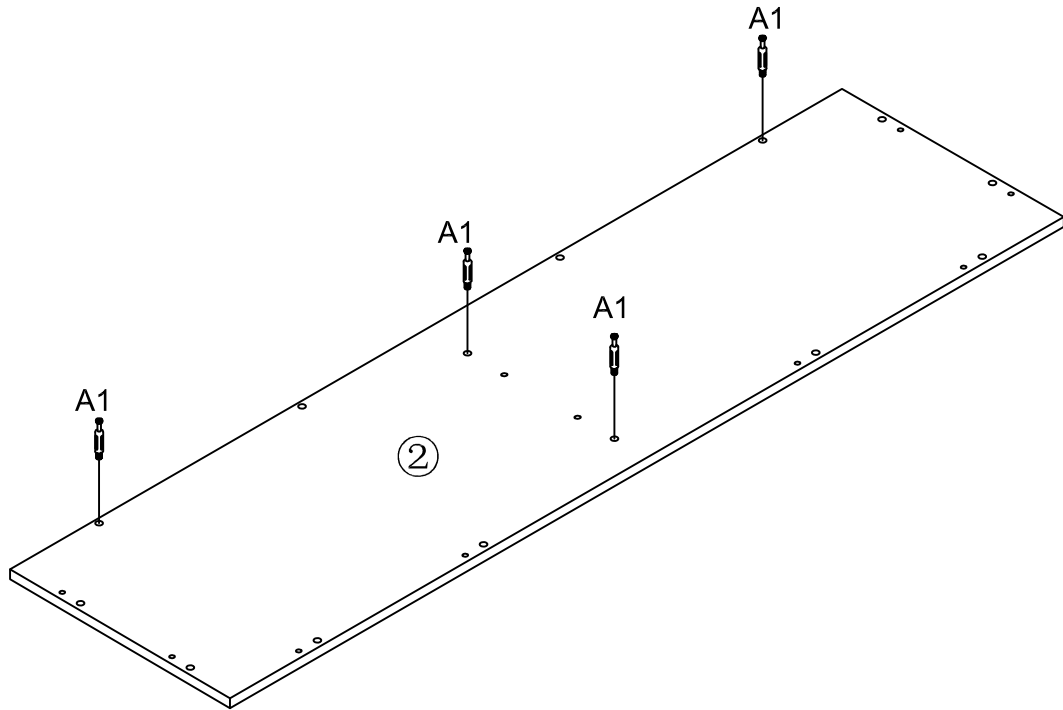


1

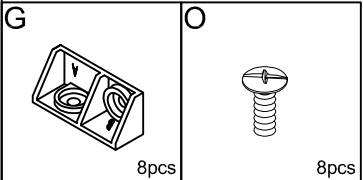
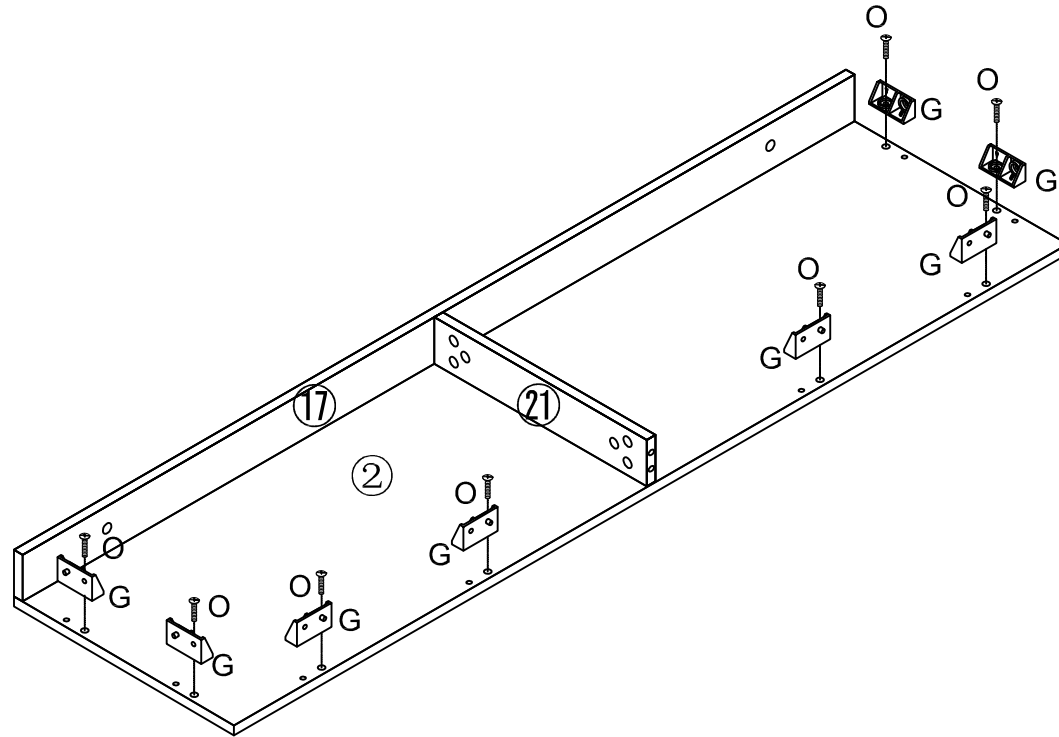


A1  2pcs	A2  2pcs	B $\Phi 8 \times 40$  4pcs
--	---	---

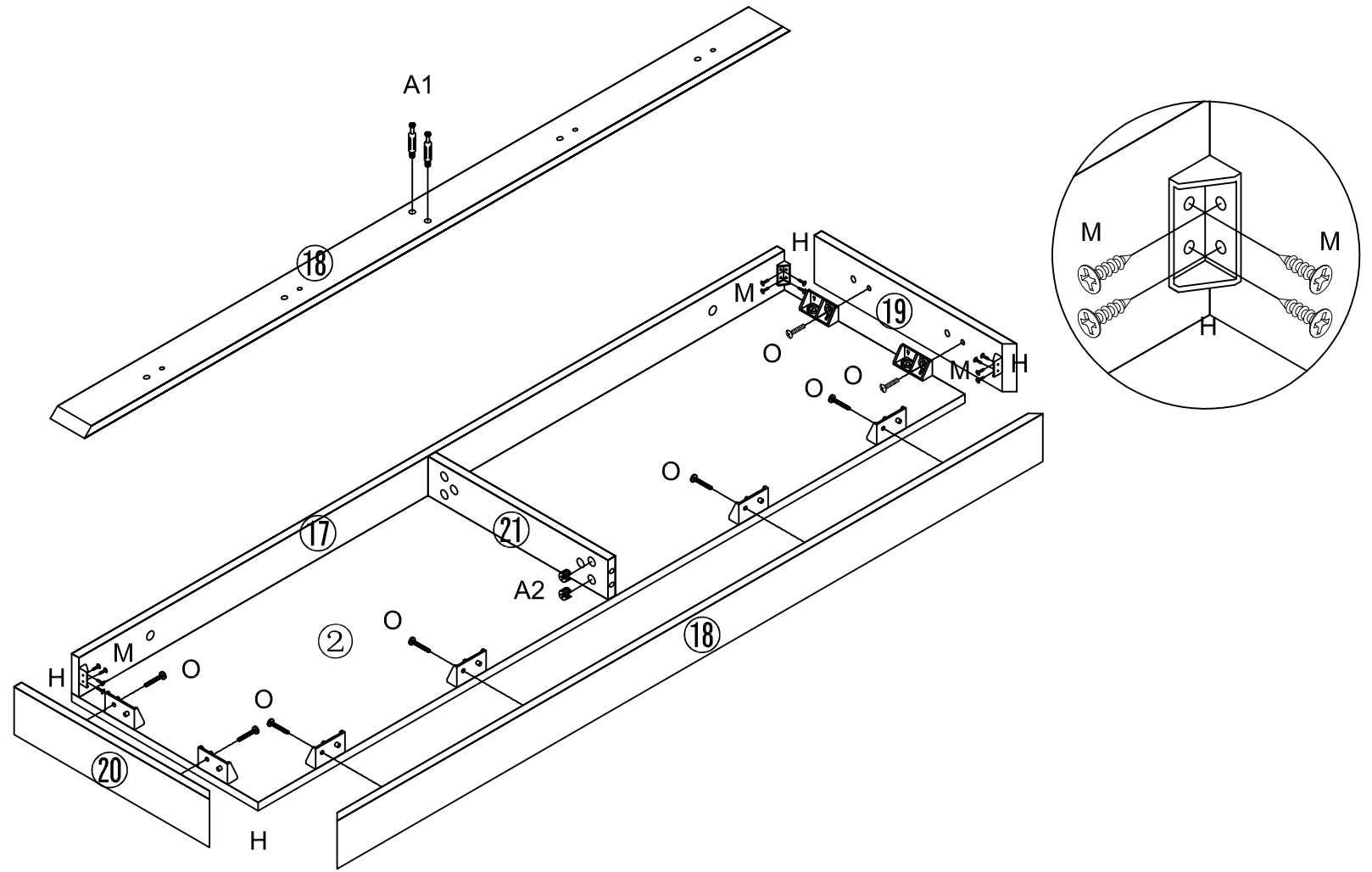
2



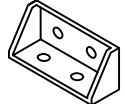




3

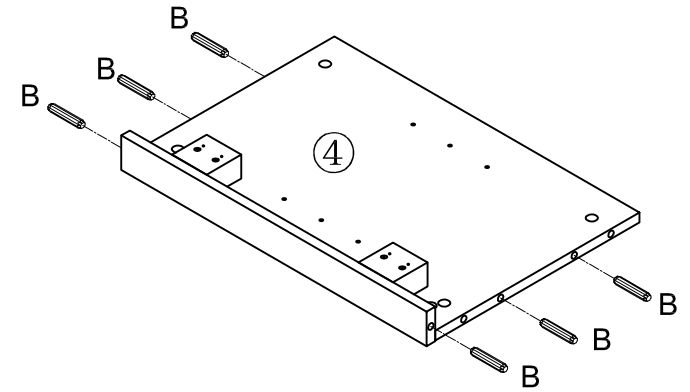
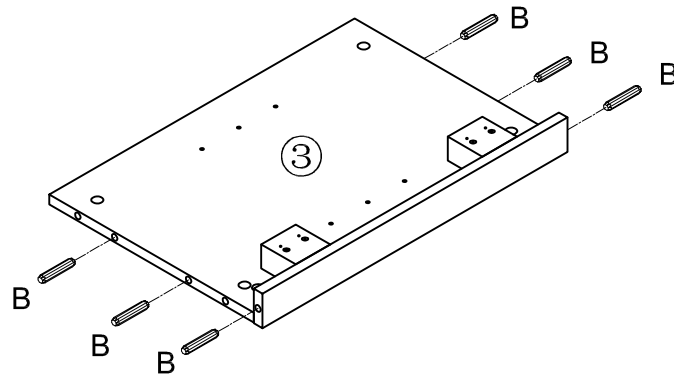
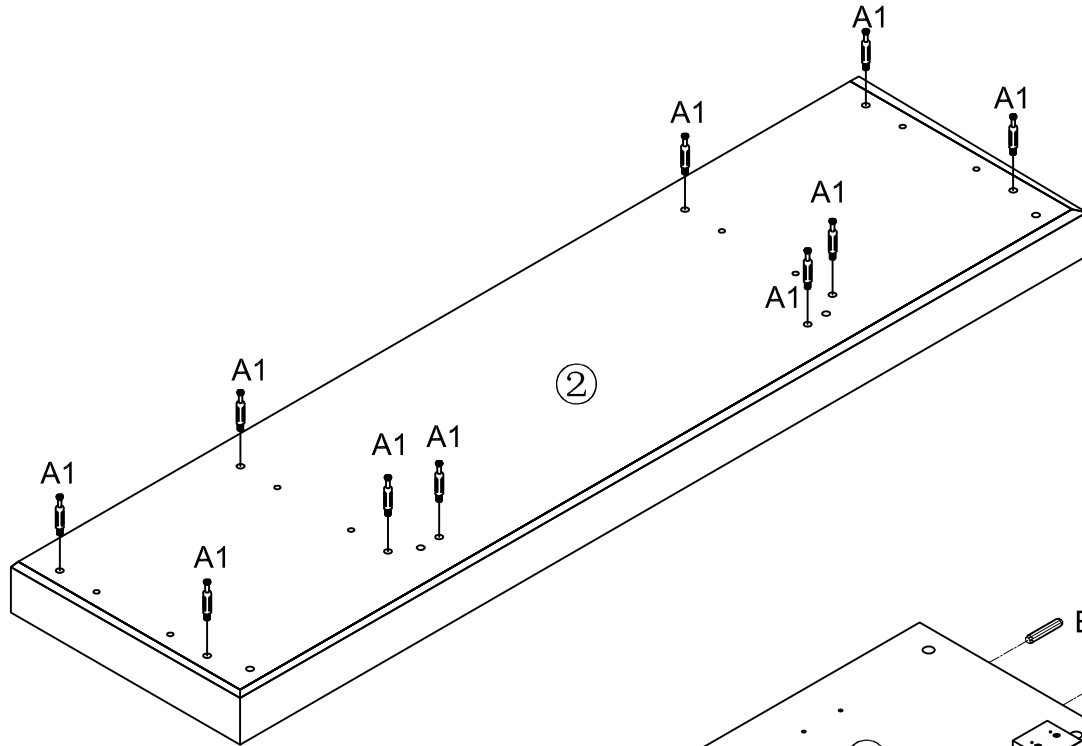



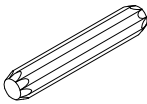
4



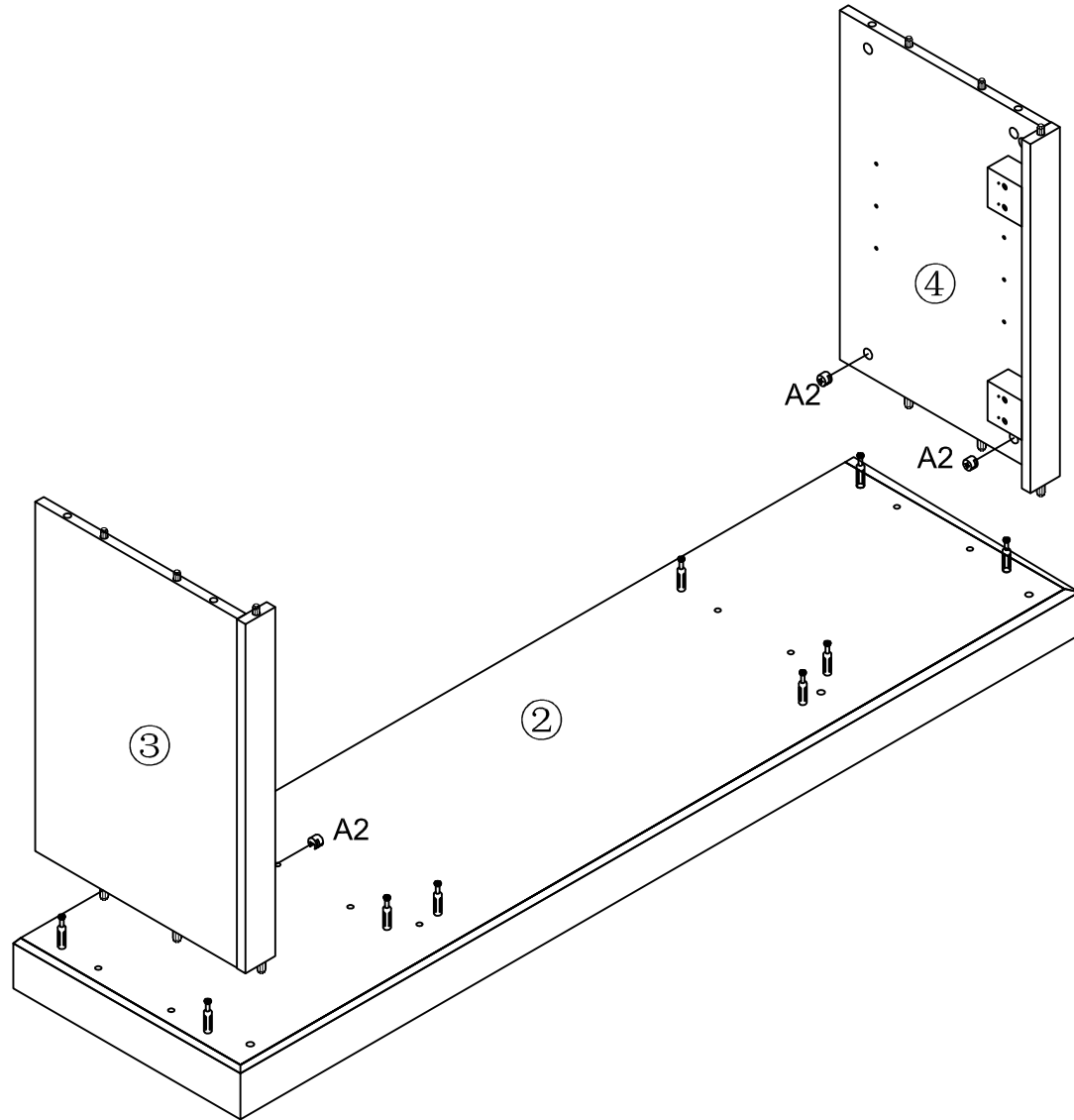
<p>A1</p>  <p>2pcs</p>	<p>A2</p>  <p>2pcs</p>	<p>H</p>  <p>4pcs</p>	<p>M $\Phi 3.5 \times 14$</p>  <p>16pcs</p>	<p>O</p>  <p>8pcs</p>
--	---	--	---	--

5



<p>A1</p>  <p>10pcs</p>	<p>B</p> <p>Φ8*40</p>  <p>12pcs</p>
---	--

6

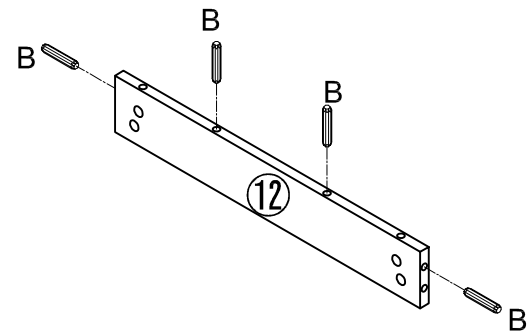
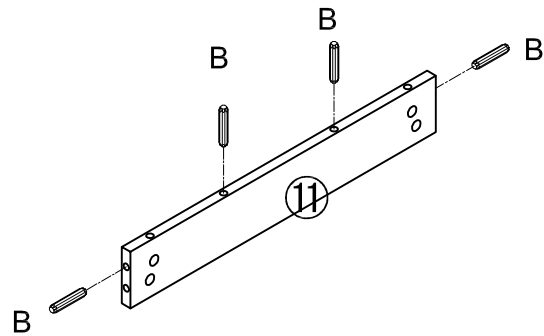
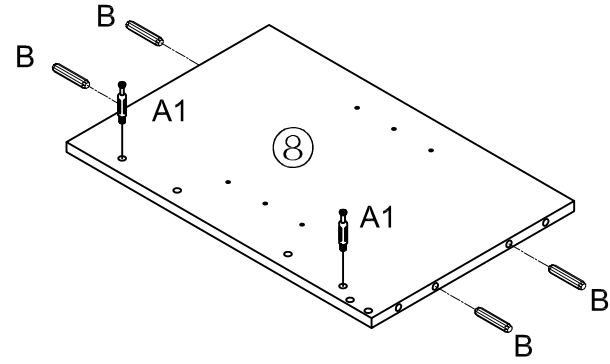
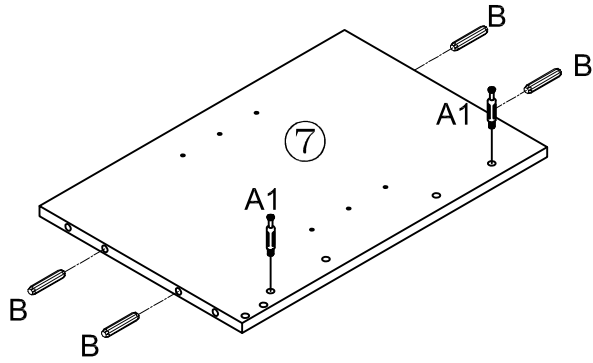



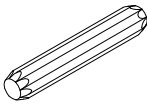
A2



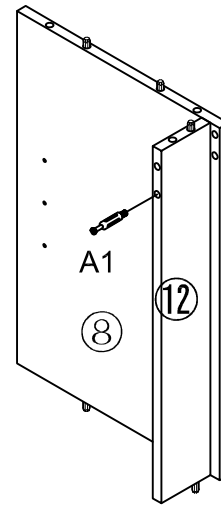
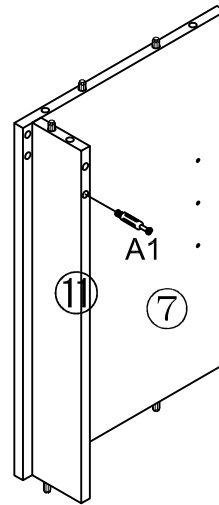
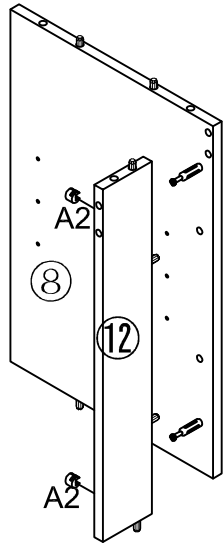
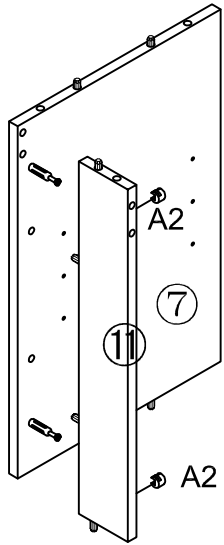
4pcs



7



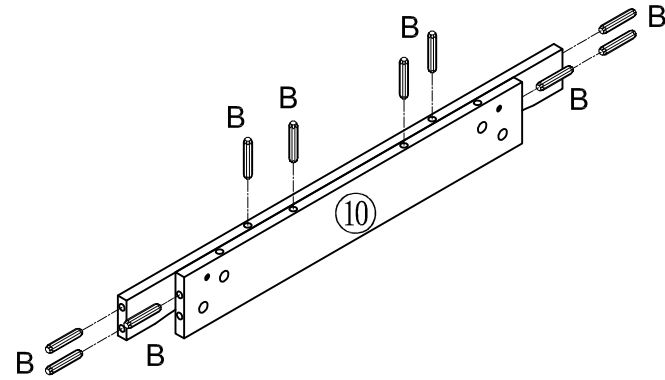
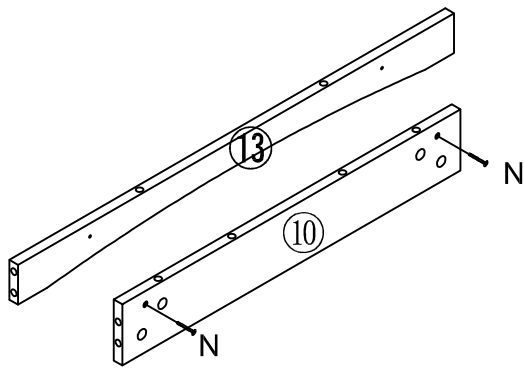
<p>A1</p>  <p>4pcs</p>	<p>B $\Phi 8 \times 40$</p>  <p>16pcs</p>
--	---

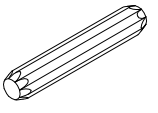

8



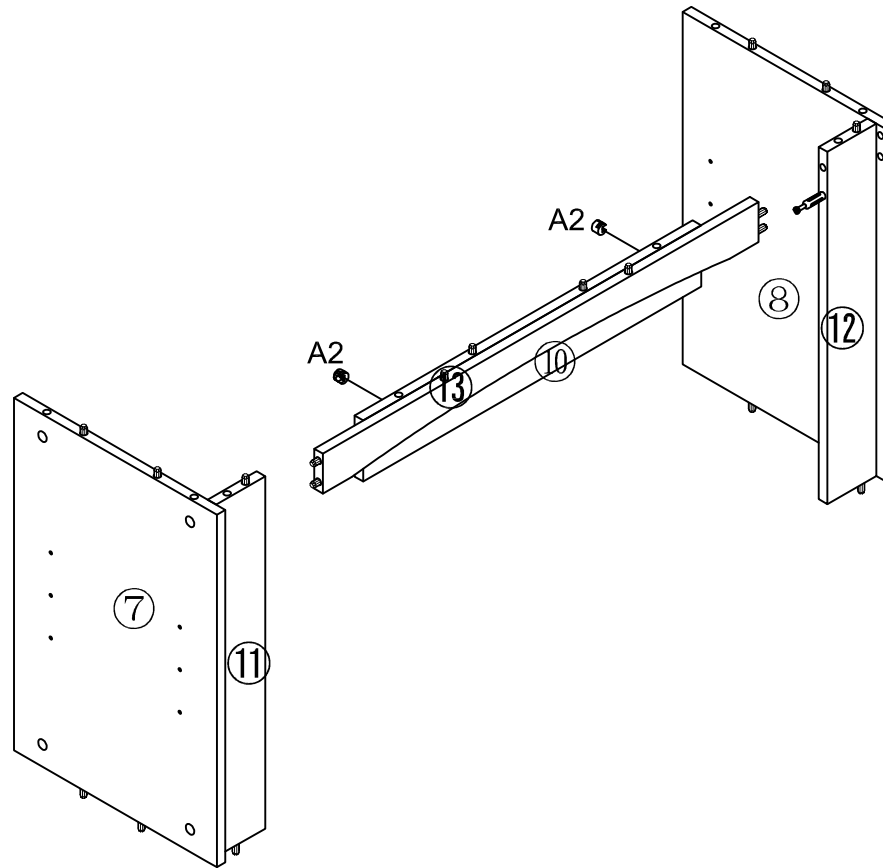
A1  2pcs	A2  4pcs
--	---

9



B	$\Phi 8 \times 40$	N	$\Phi 3.5 \times 20$
			
10pcs		2pcs	

10

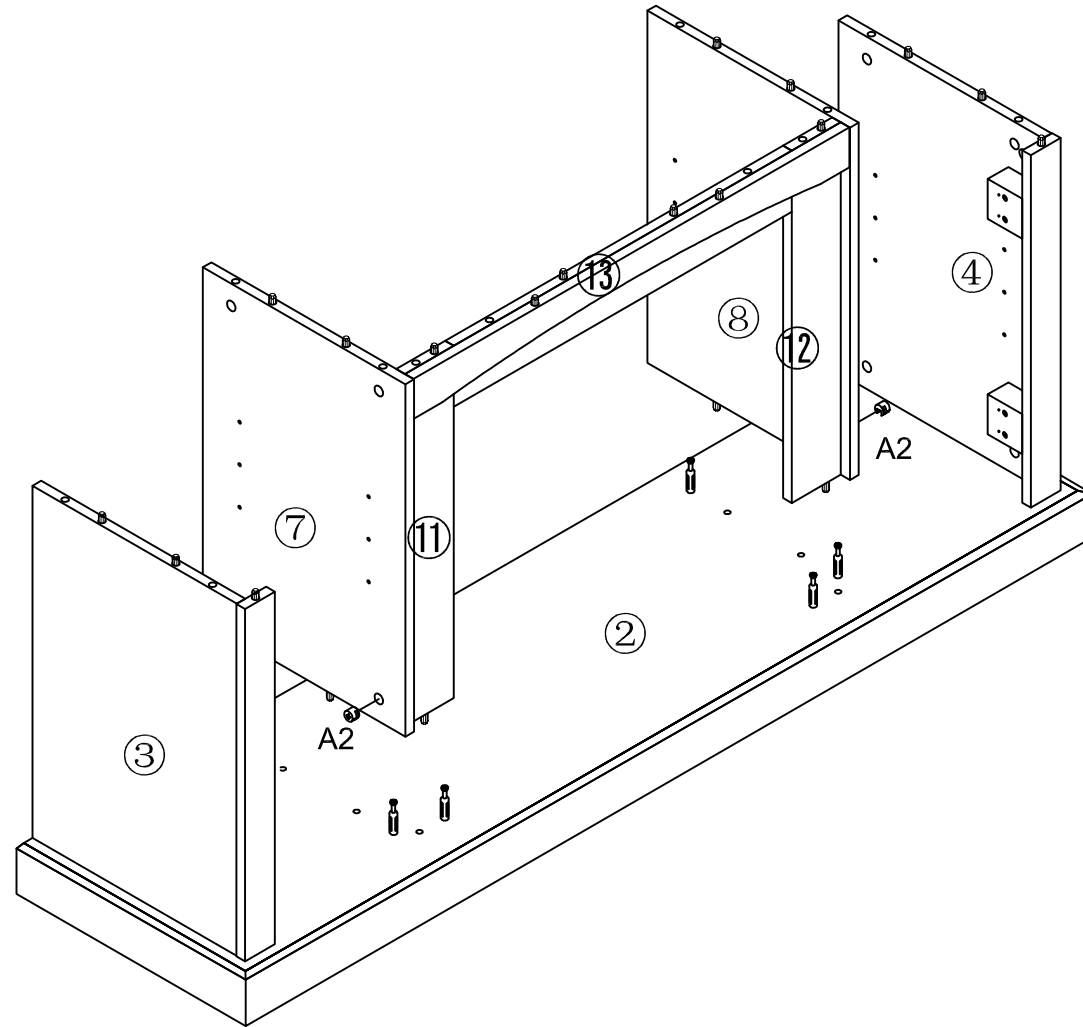


A2



2pcs

11

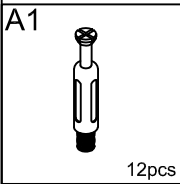
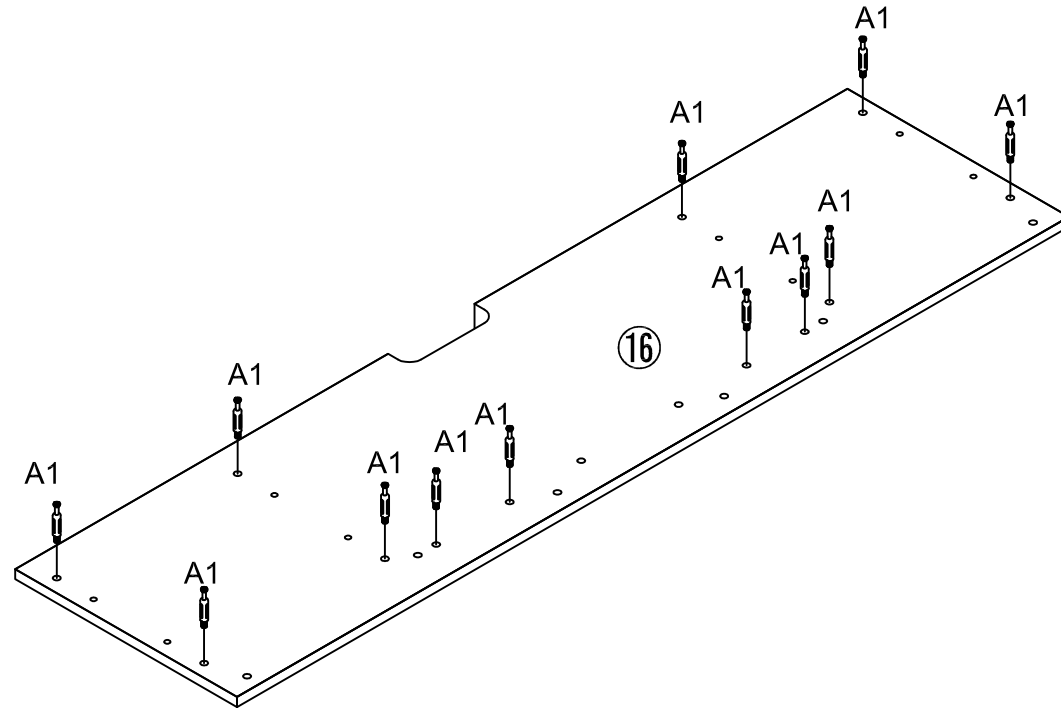


A2

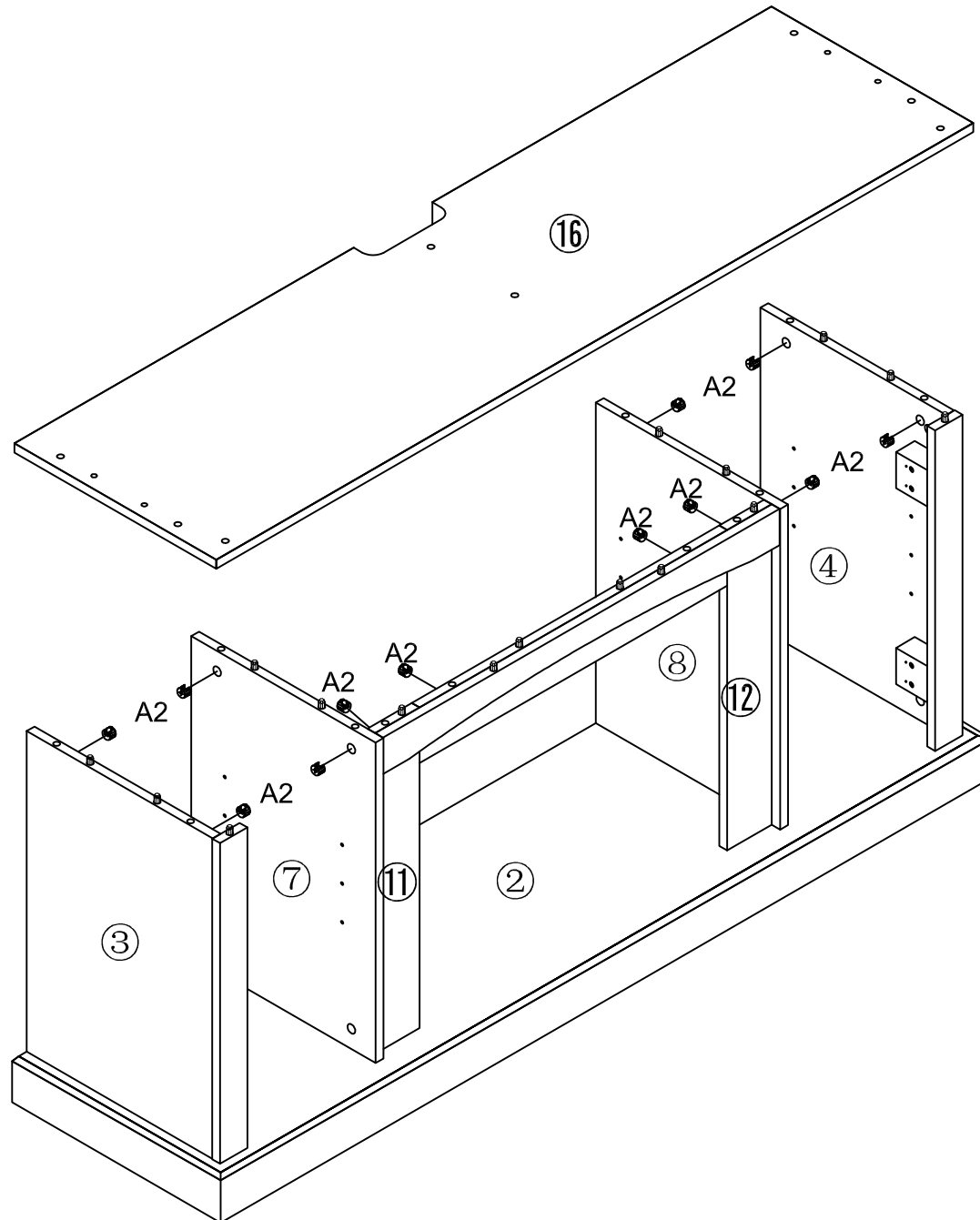


6pcs

12



13

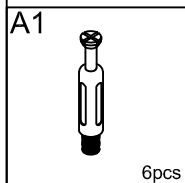
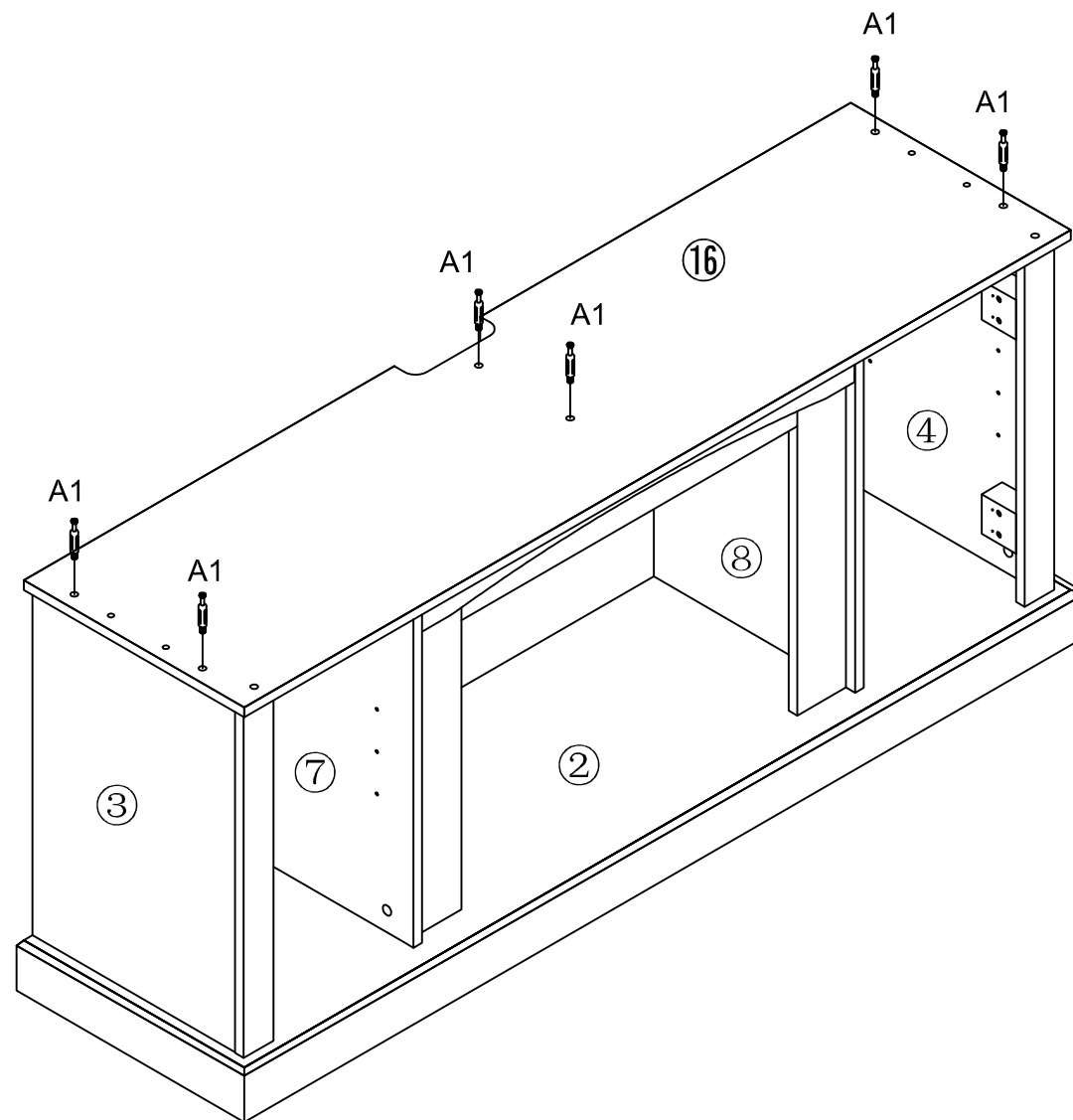


A2

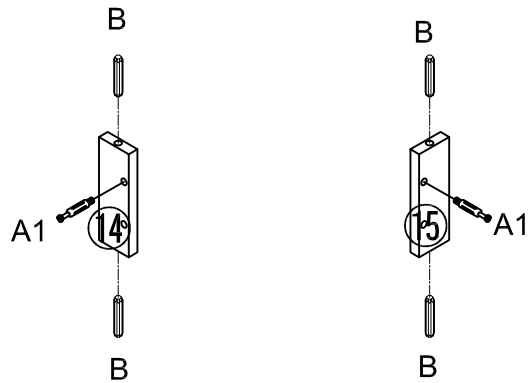
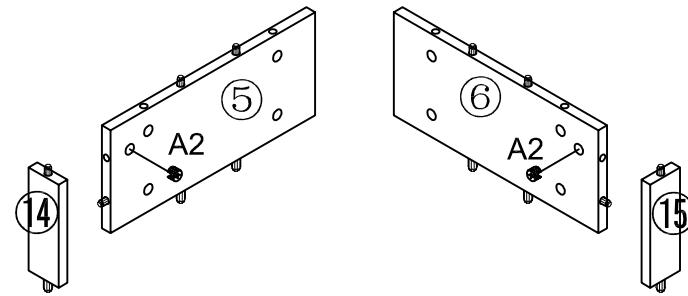
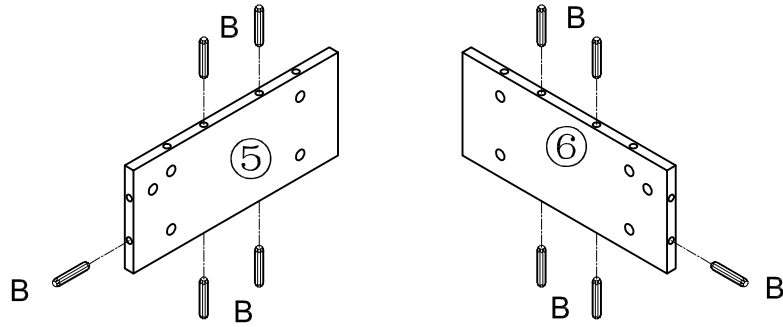




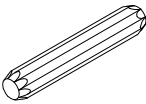
12pcs

14

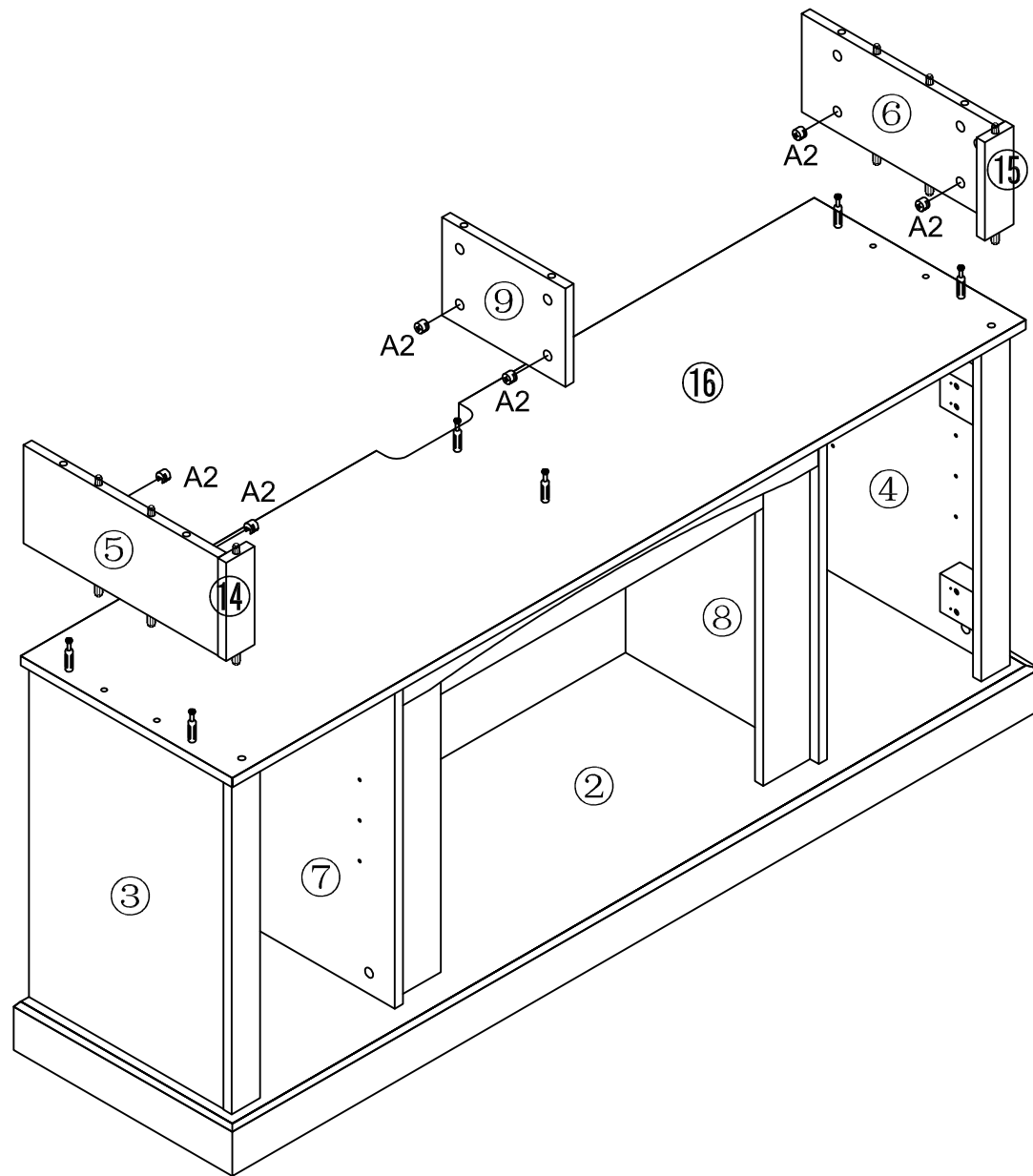


15



A1  2pcs	A2  2pcs	B $\Phi 8 \times 40$  14pcs
--	---	--

16

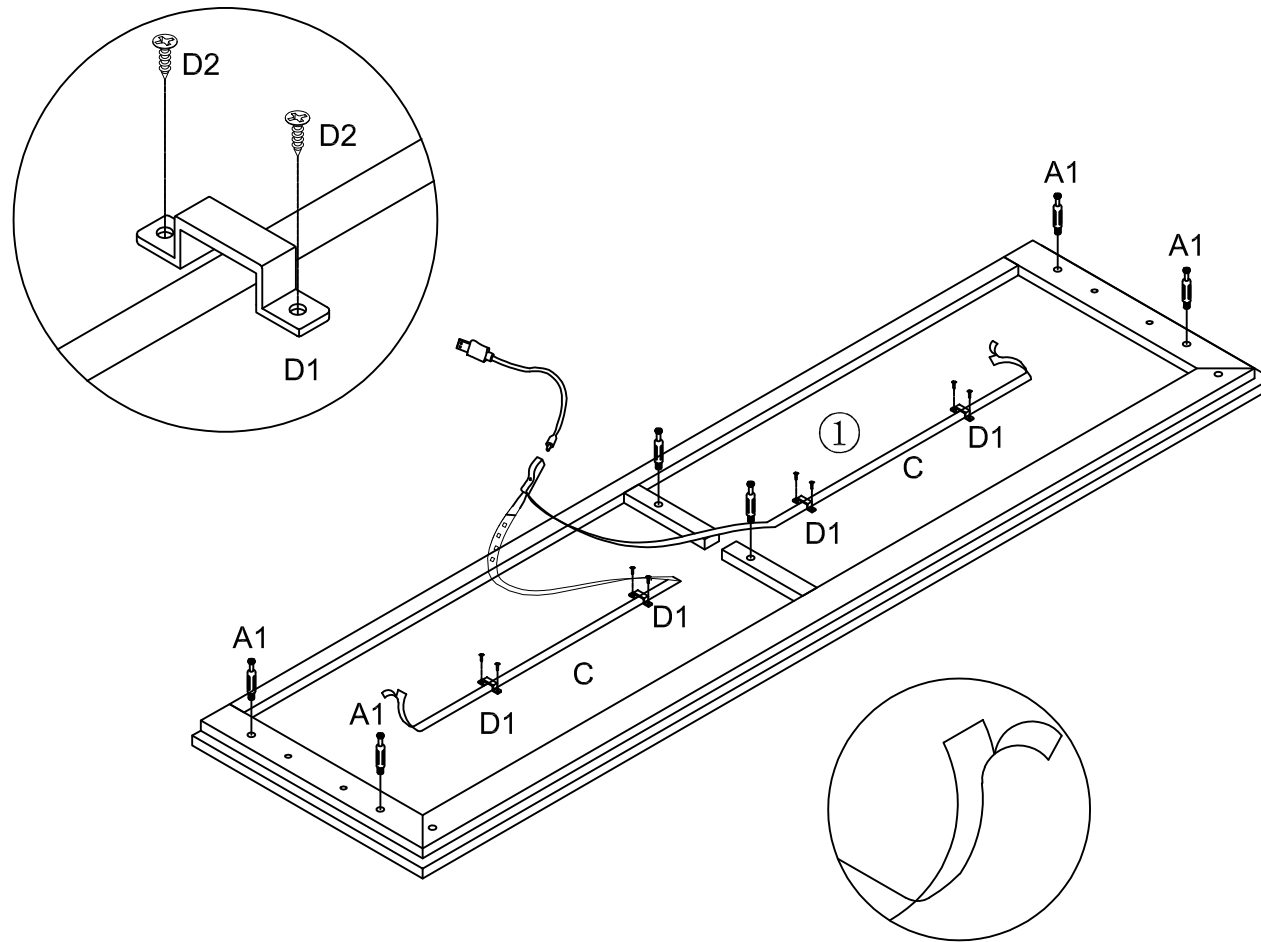


A2



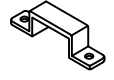



6pcs

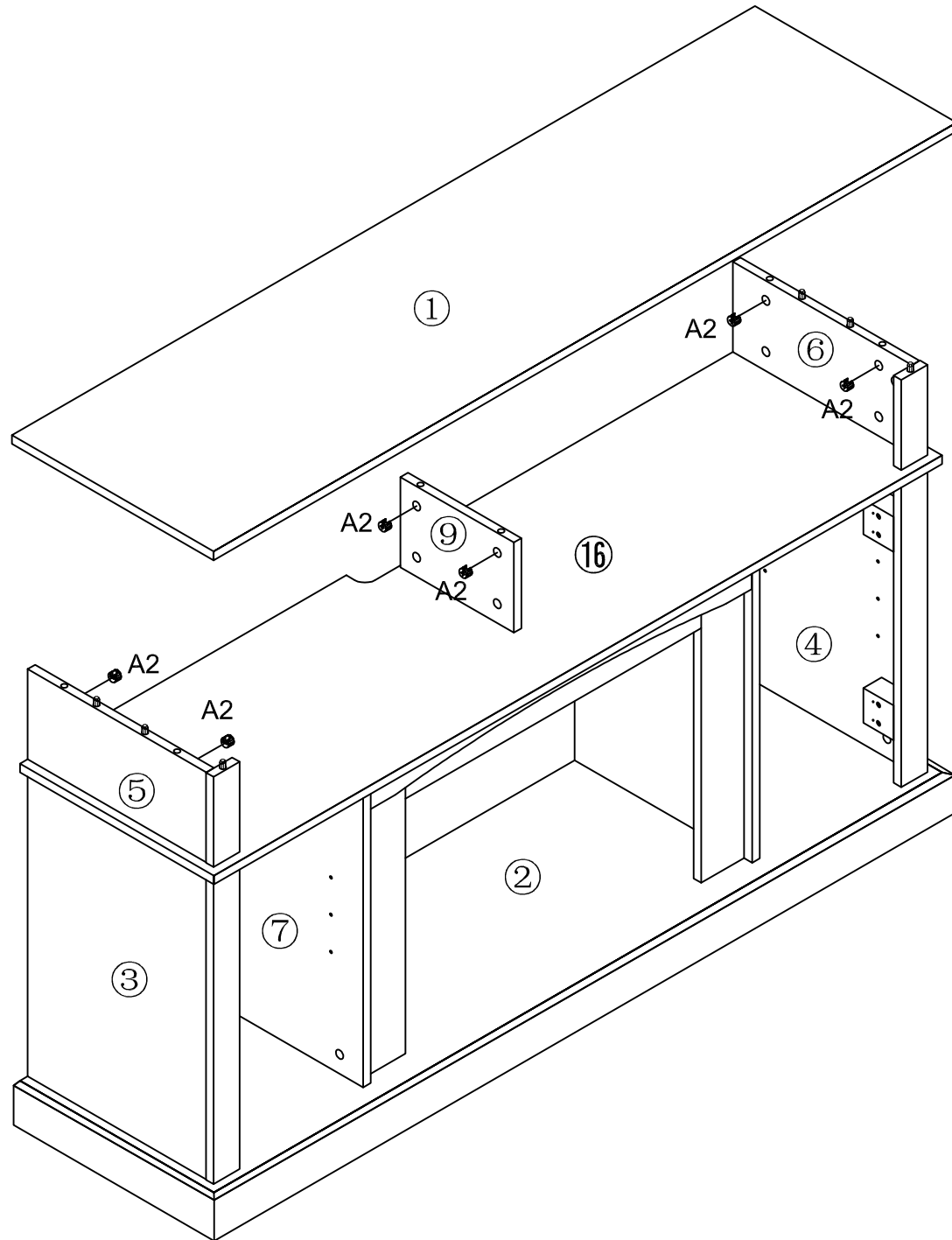
17



Remove the adhesive on the back and stick it to the plate

<p>A1</p>  <p>6pcs</p>	<p>C</p>  <p>1pc</p>	<p>D1</p>  <p>4pcs</p>	<p>D2</p>  <p>4pcs</p>
--	---	---	---

18

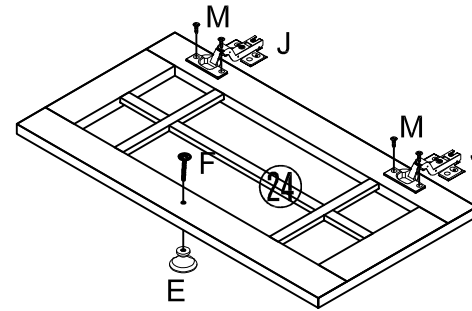
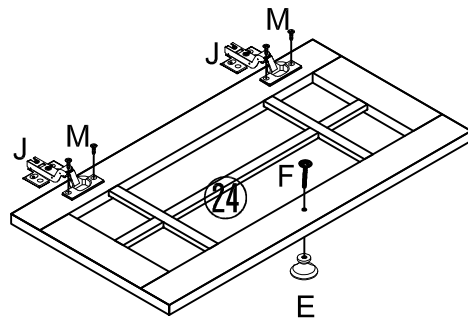




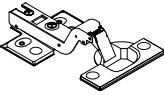

A2



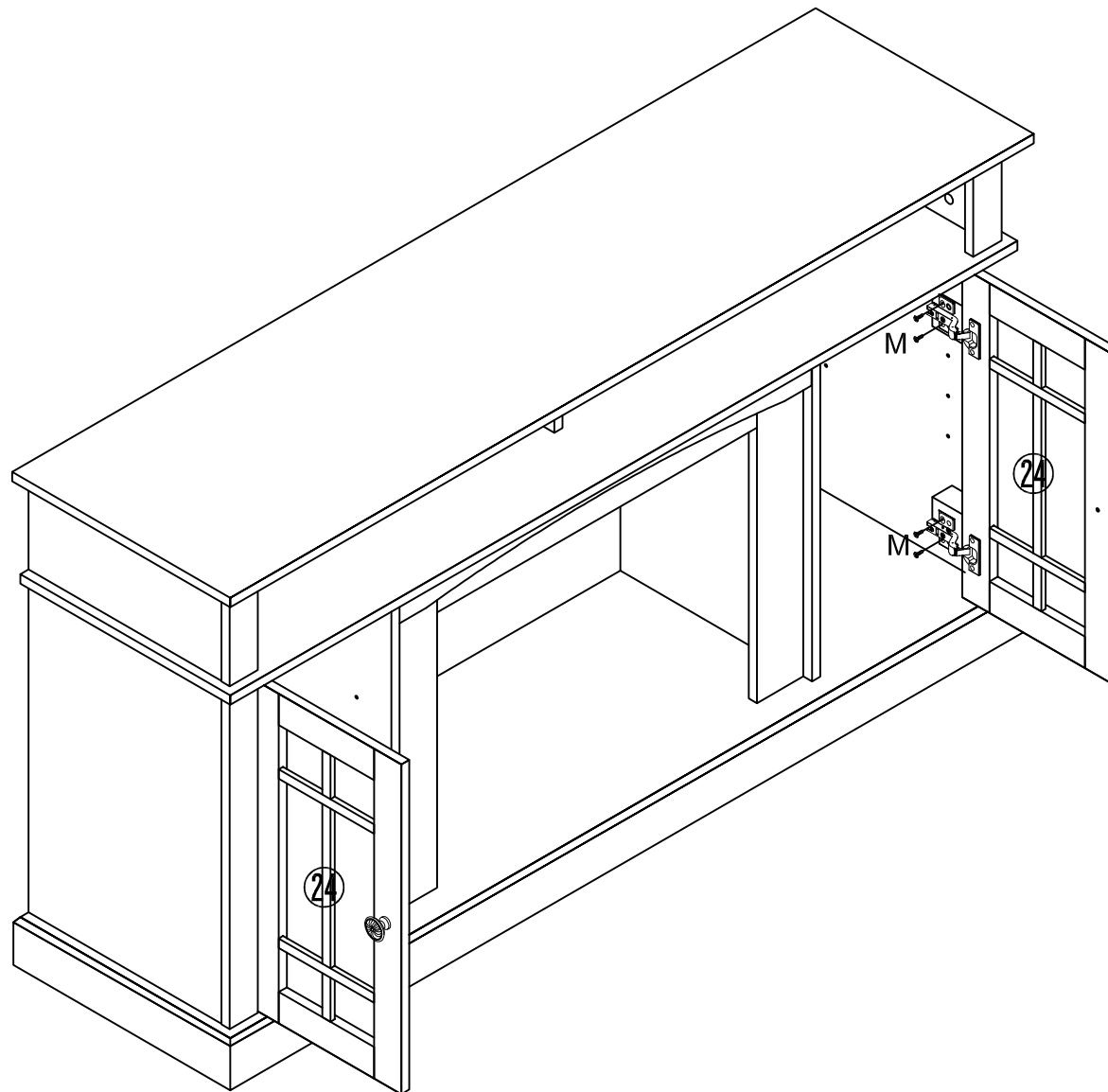
6pcs

19



E  2pcs	F $\Phi 4 \times 20$  2pcs	J  4pcs	M $\Phi 3.5 \times 14$  8pcs
--	--	---	--

20



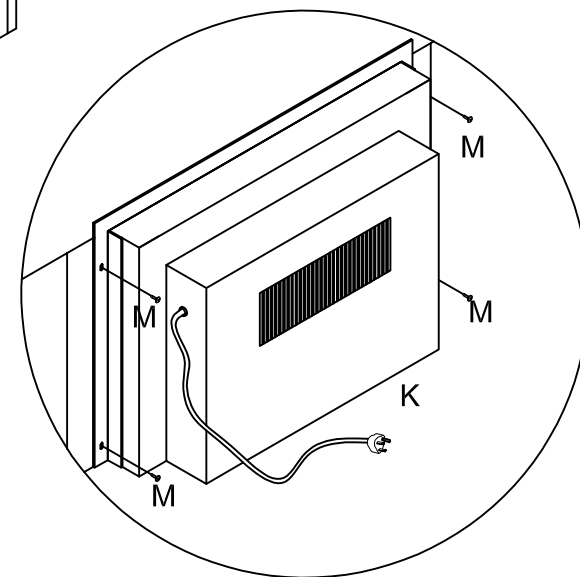
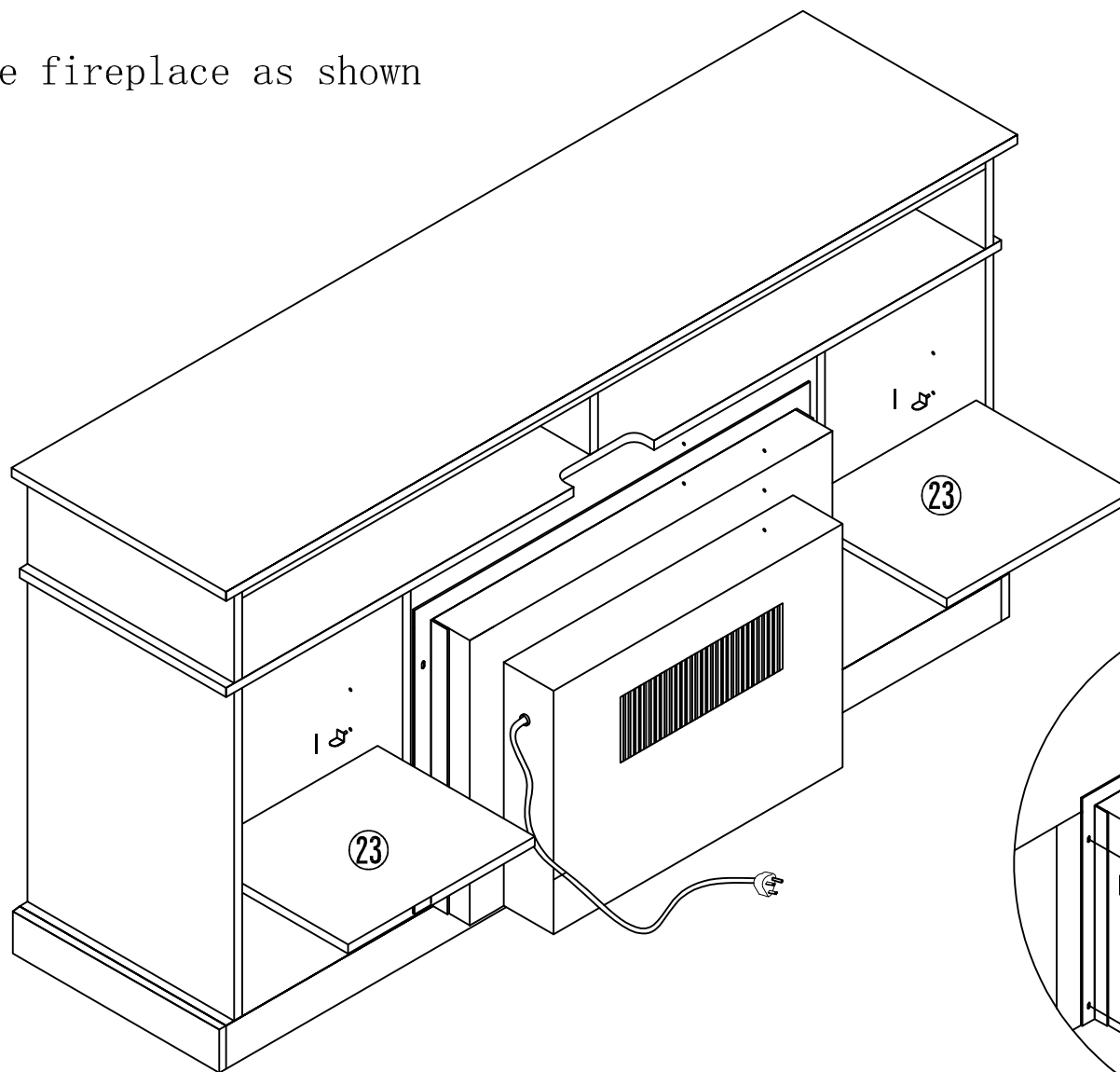
M $\Phi 3.5 \times 14$


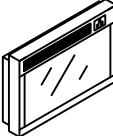



8pcs

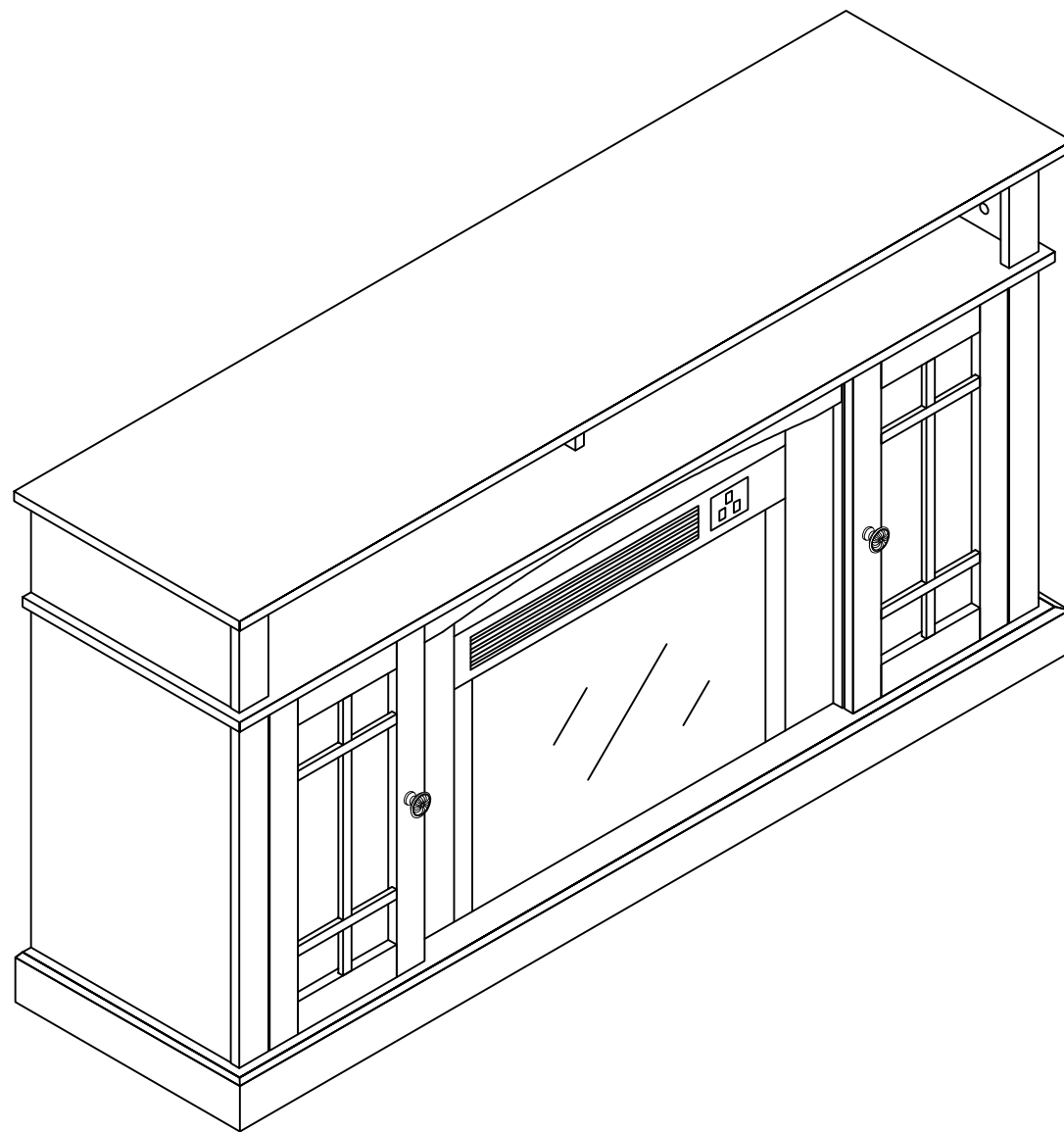
21

Install the fireplace as shown



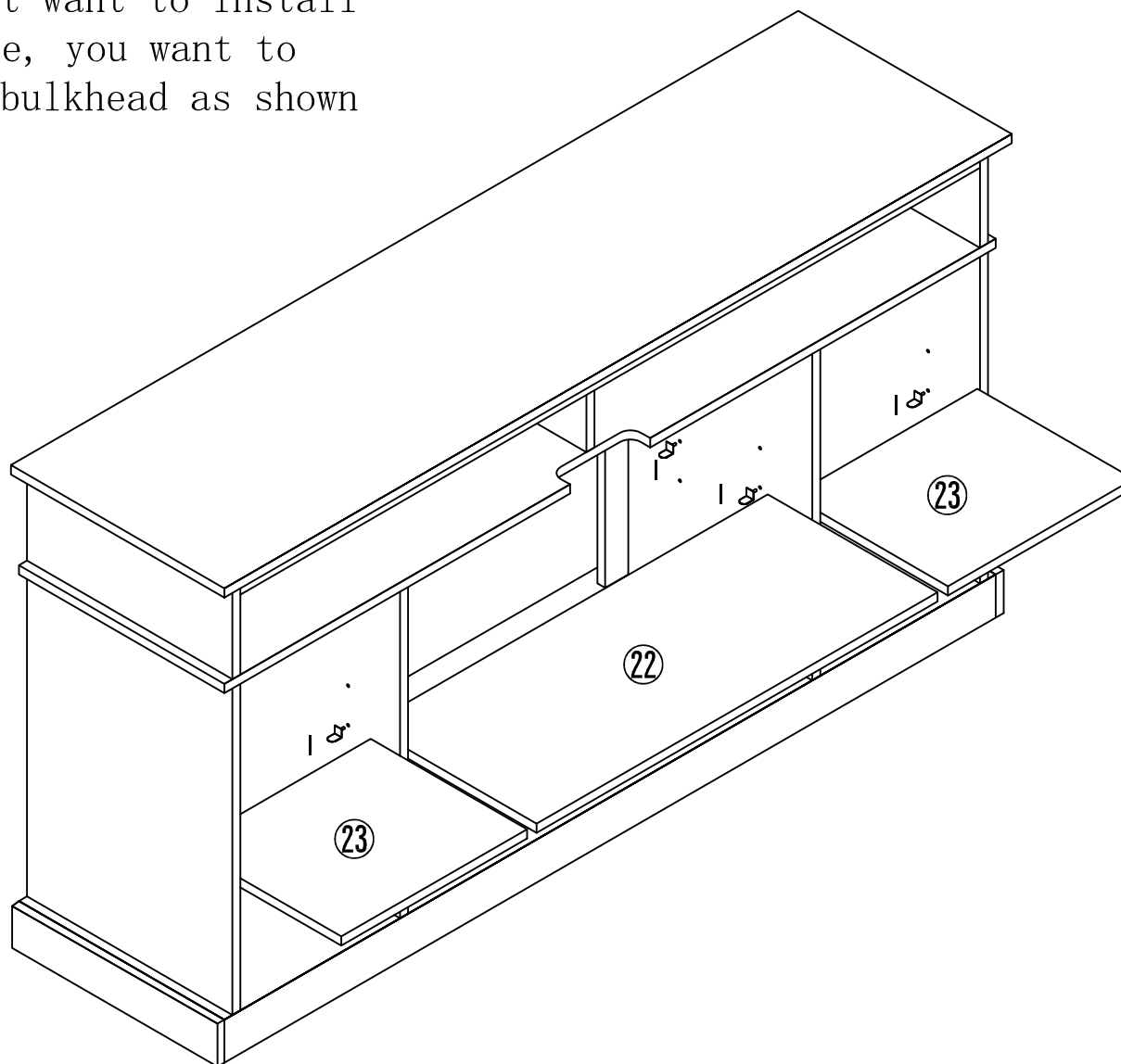
 8pcs	 1pc	 4pcs
	K	M $\Phi 3.5 \times 14$

22



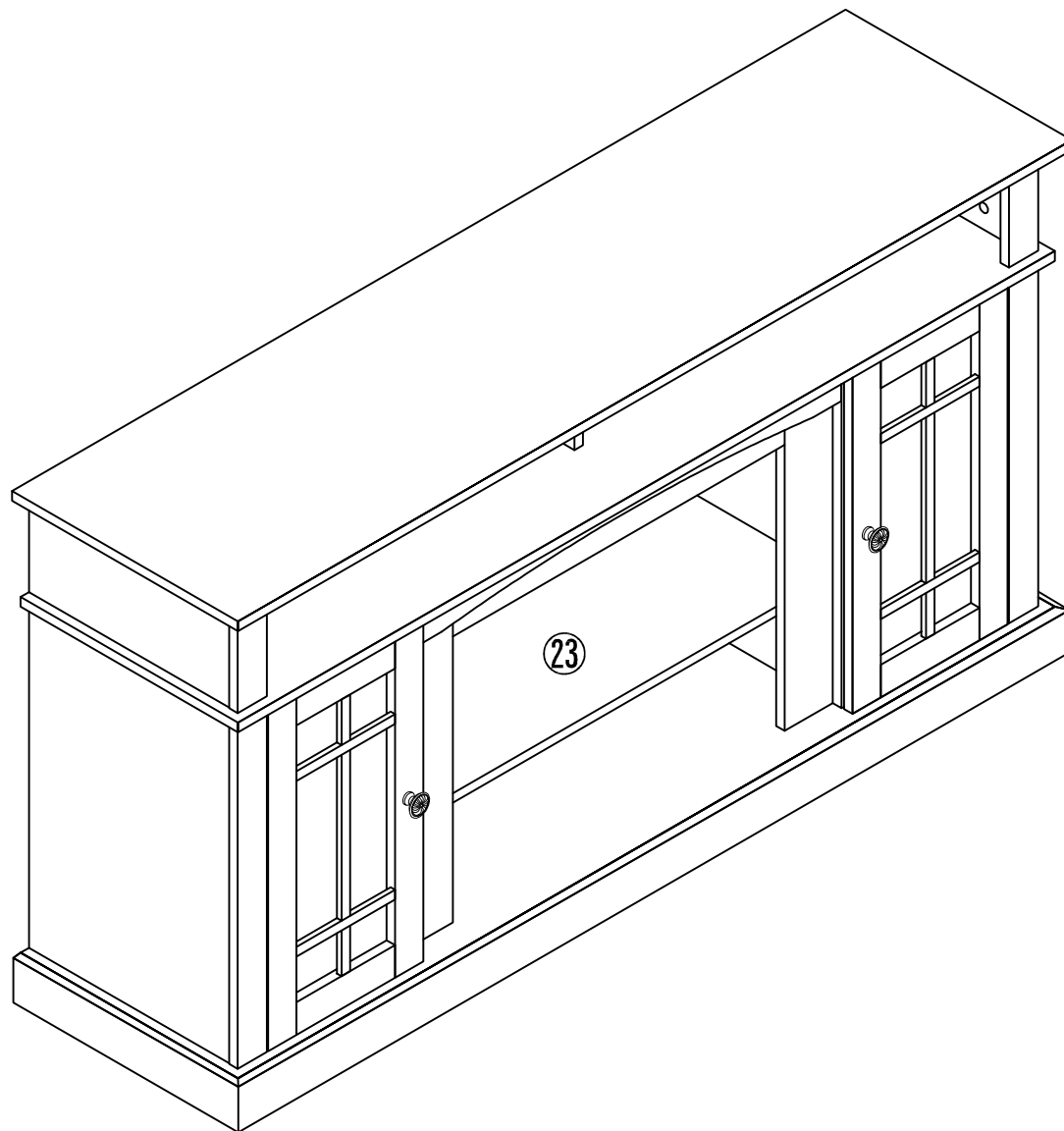
23

If you do not want to install the fireplace, you want to install the bulkhead as shown

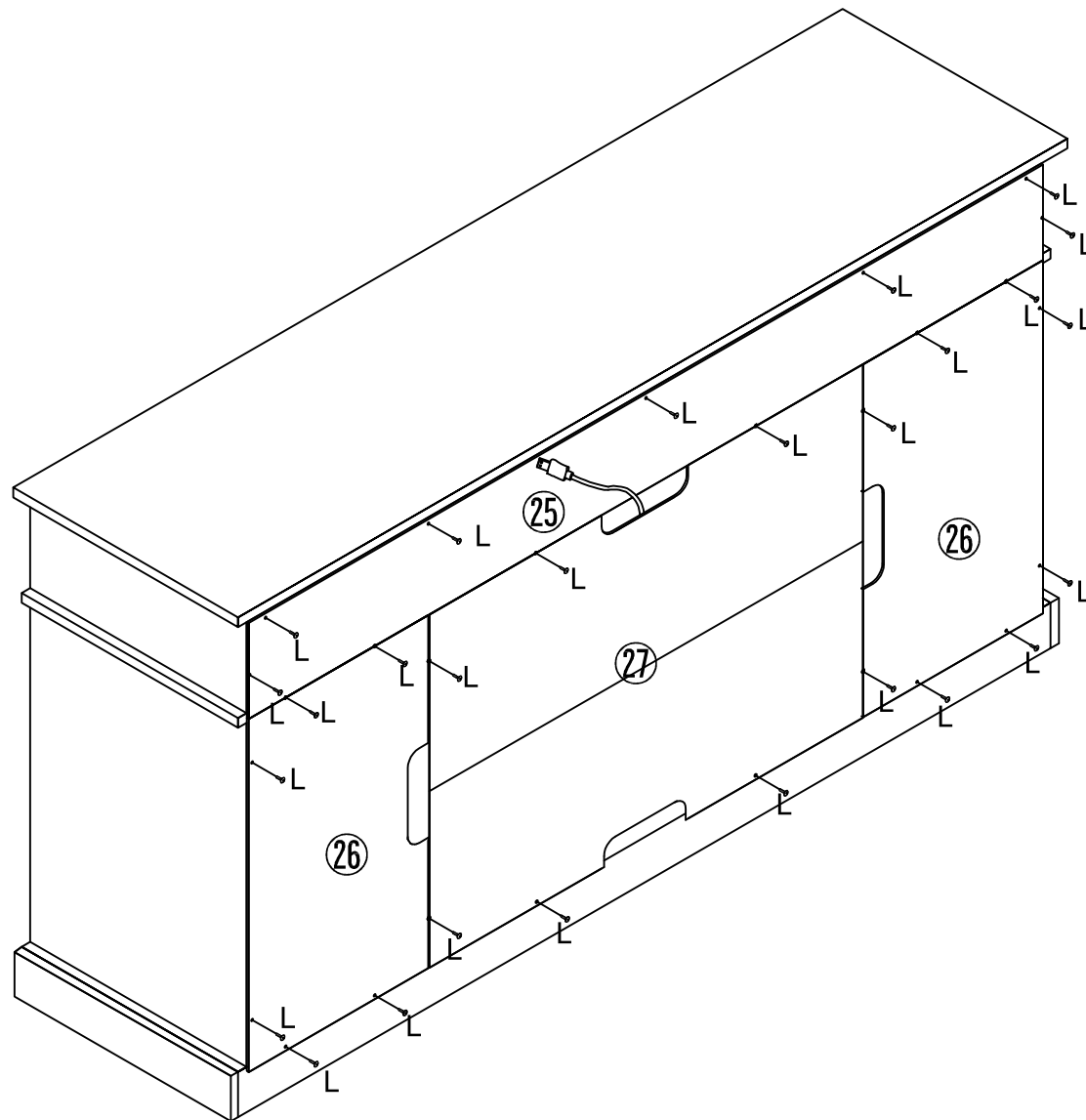


12pcs

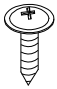
24



25



L $\Phi 4.2 \times 16$



27 pcs