

Assembly Instructions



Thank you for your purchase.

Please follow the instructions below for correct assembly.

▲ For higher efficiency, we recommend to use a power drill; the power drill should be set on the low speed to avoid screw stripping.

CAUTION

This package contains small parts and hardware; keep it from children to avoid accidental swallowing.



WARNING: Any furniture that is not anchored to a wall has the risk of tipping over in certain circumstances, i.e. if a child attempts to climb up on the furniture or in the event of an earthquake. Accordingly, we recommend that all furniture is anchored to a wall. We supply a free safety wall anchor with all furniture sold and we recommend these are used to prevent your product from tipping over.

Disclaimer

All information provided in this manual, including but not limited to notes, pictures, instructions, schematic diagrams, assembly procedures and safety precautions, is in good faith and every reasonable effort has been made to ensure that the provided information is proper, correct and accurate to the best of the manufacturer's knowledge.

Under no circumstance shall the manufacturers, the distributors, the sales agents and the associates, contractors and employees of the above organizations be held liable for any direct, indirect, consequential or incidental losses, damages, injuries or accidents of any kind incurred as a result of the assembly, adjustment and use of the furniture contained in this box. By reading this manual and decide to proceed, you are deemed to agree to accept full personal responsibility and liability for any possible personal injury or damage you suffer from your actions, directly or indirectly, arising out of or in connections with the assembly, adjustment and use of the furniture.

Caution



Personal injury can occur during the assembly and adjustment of the furniture contained in this box. You will be solely responsible for your personal safety and potential injuries.

PPE Recommendation

Proper PPEs (Personal Protection Equipment) are recommended to use during assembly and adjustment of the furniture.

Gloves

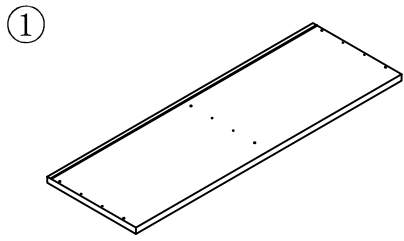


Safety
Goggles



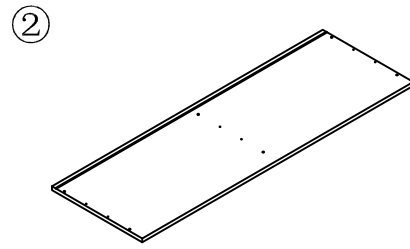


<p>A1 A2</p>	<p>$\Phi 8*40$</p>	<p>C1 C2</p>	<p>$\Phi 3.5*14$</p>	<p>$\Phi 3.5*25$</p>
A × 36	B × 12	C × 6	D × 70	E × 10
<p>$\Phi 3.5*35$</p>	<p>G2 G1 $\Phi 4*20$</p>	<p>H</p>	<p>I1 I2 $\Phi 3*14$</p>	<p>$\Phi 20$</p>
F × 24	G × 6	H × 2	I × 16	J × 42
<p>K</p>	<p>L</p>	<p>M</p>	<p>$\Phi 7*50$</p>	
K × 4	L × 5	M × 1	N × 6	



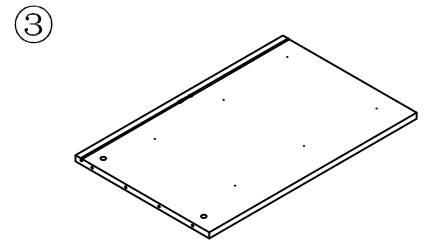
1200*400*25mm

1PCS



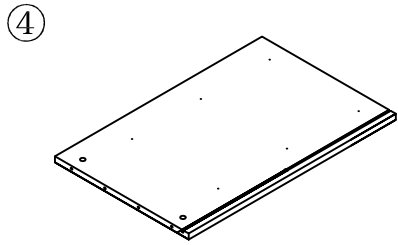
1200*400*15mm

1PCS



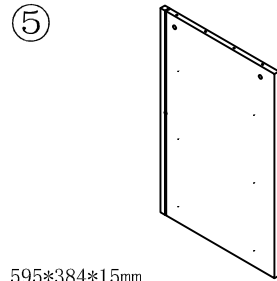
595*384*15mm

1PCS



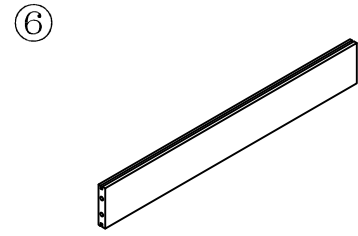
595*384*15mm

1PCS



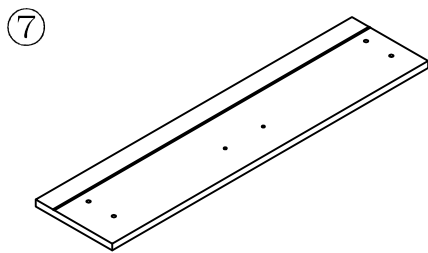
595*384*15mm

1PCS



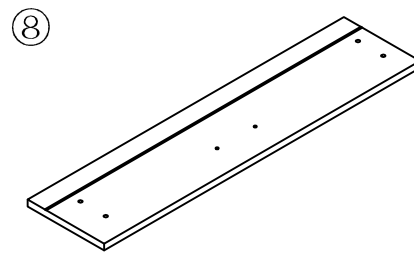
576.5*80*15mm

2PCS



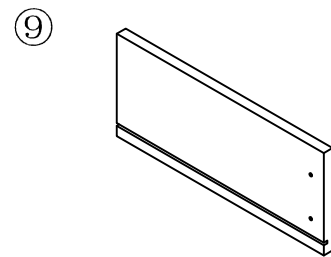
598*195*15mm

3PCS



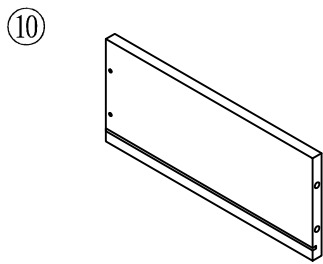
598*195*15mm

3PCS



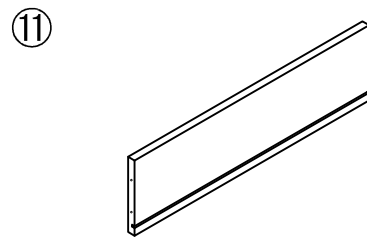
350*150*15mm

6PCS



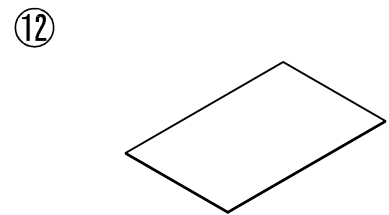
350*150*15mm

6PCS



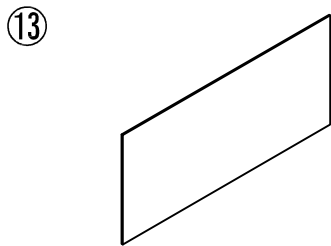
521.5*150*15mm

6PCS



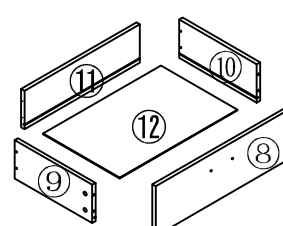
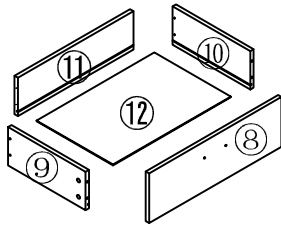
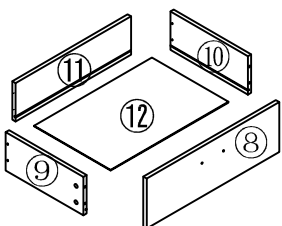
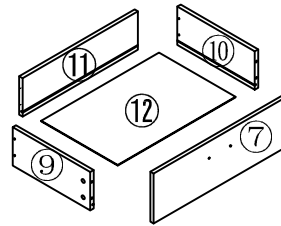
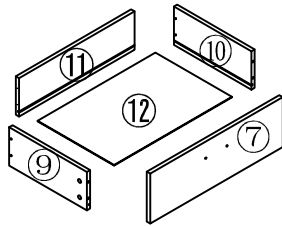
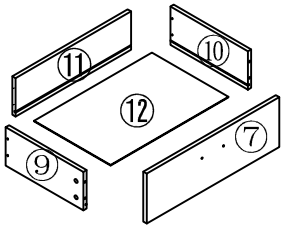
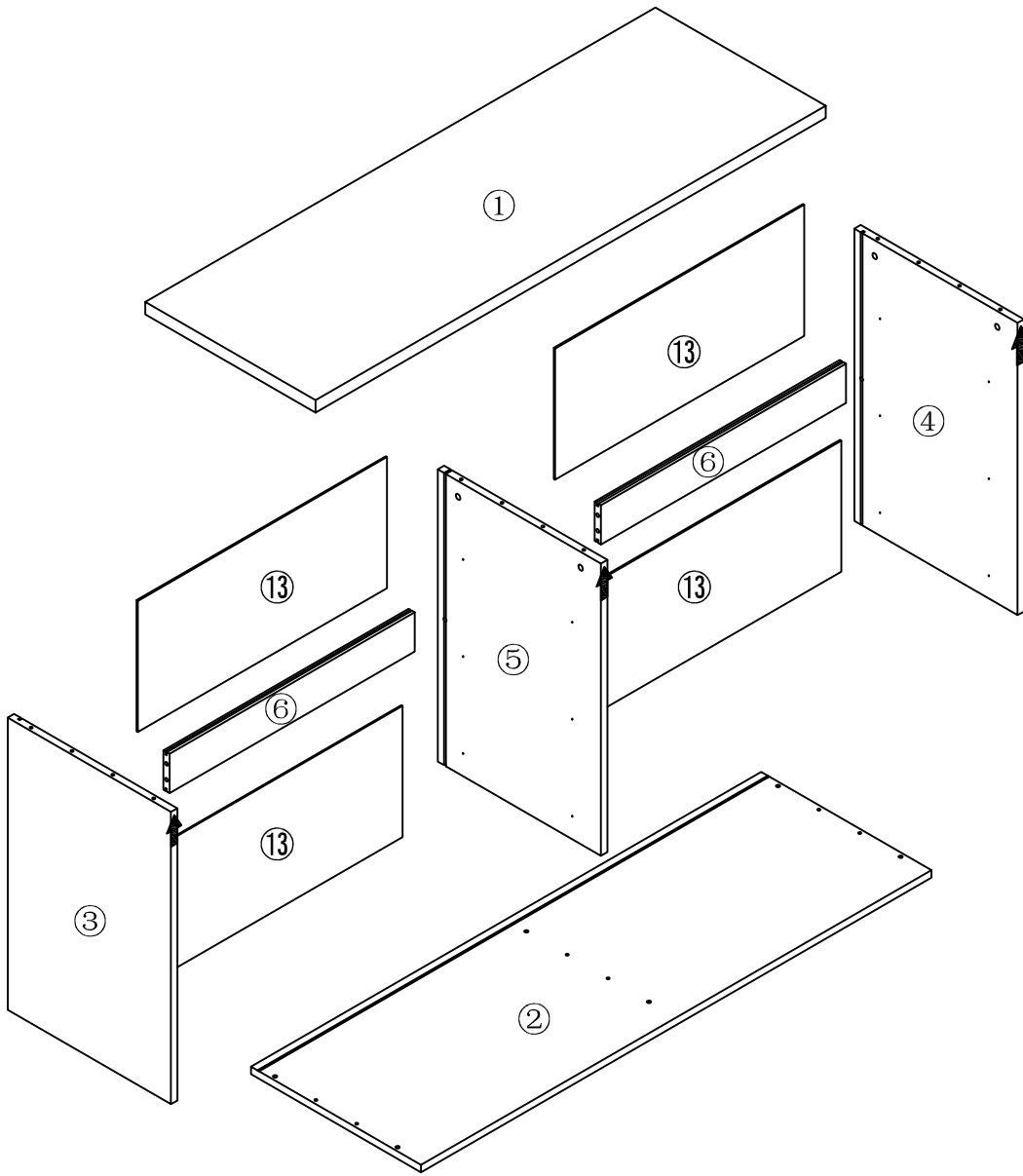
531.5*345*3mm

6PCS



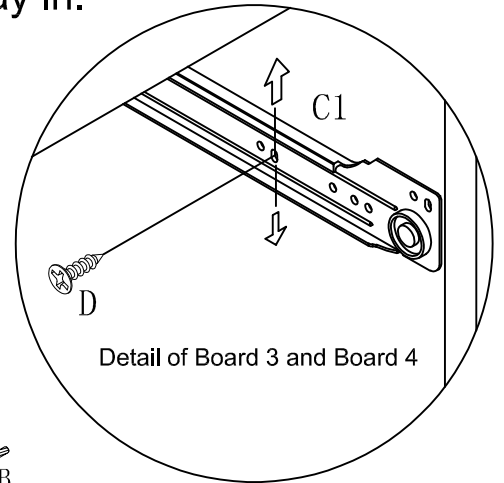
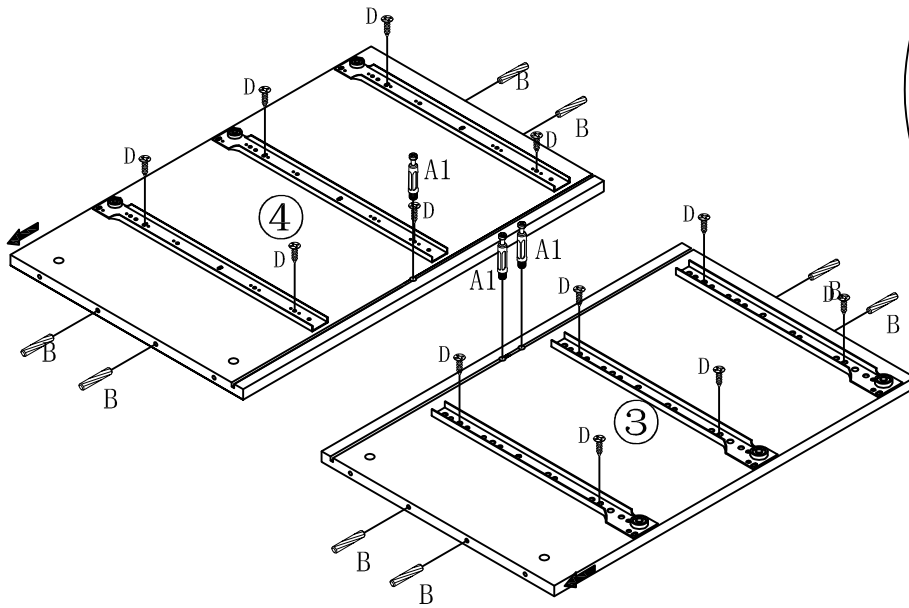
585.5*267.5*3mm

4PCS



1

Please hand insert the pegs all the way in.



Detail of Board 3 and Board 4

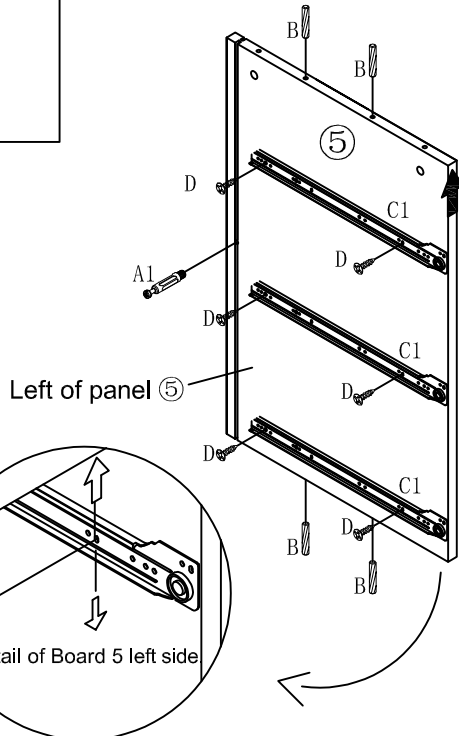
The first slide hole location can change the gap between the drawer boards.

A1	B $\phi 8 \times 40$	C1	D $\phi 3.5 \times 14$
3pcs	8pcs	3pcs	12pcs

Note: Board side with holes face up; rails need to be aligned at different direction.

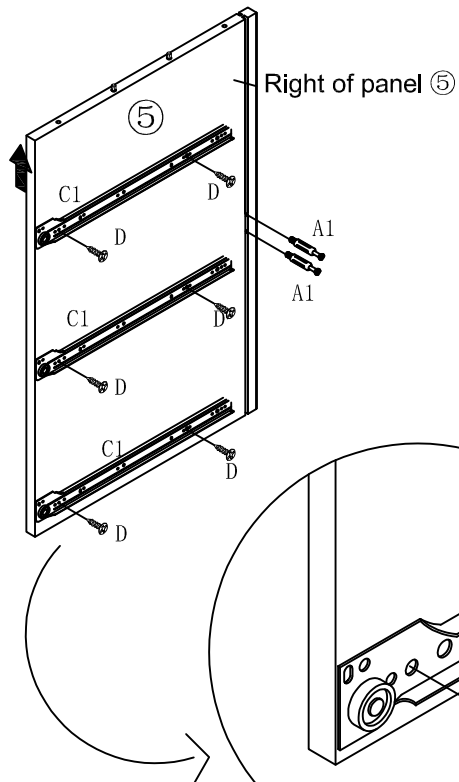
2

Please hand insert the pegs all the way in.



Detail of Board 5 left side

The first slide hole location can change the gap between the drawer boards.



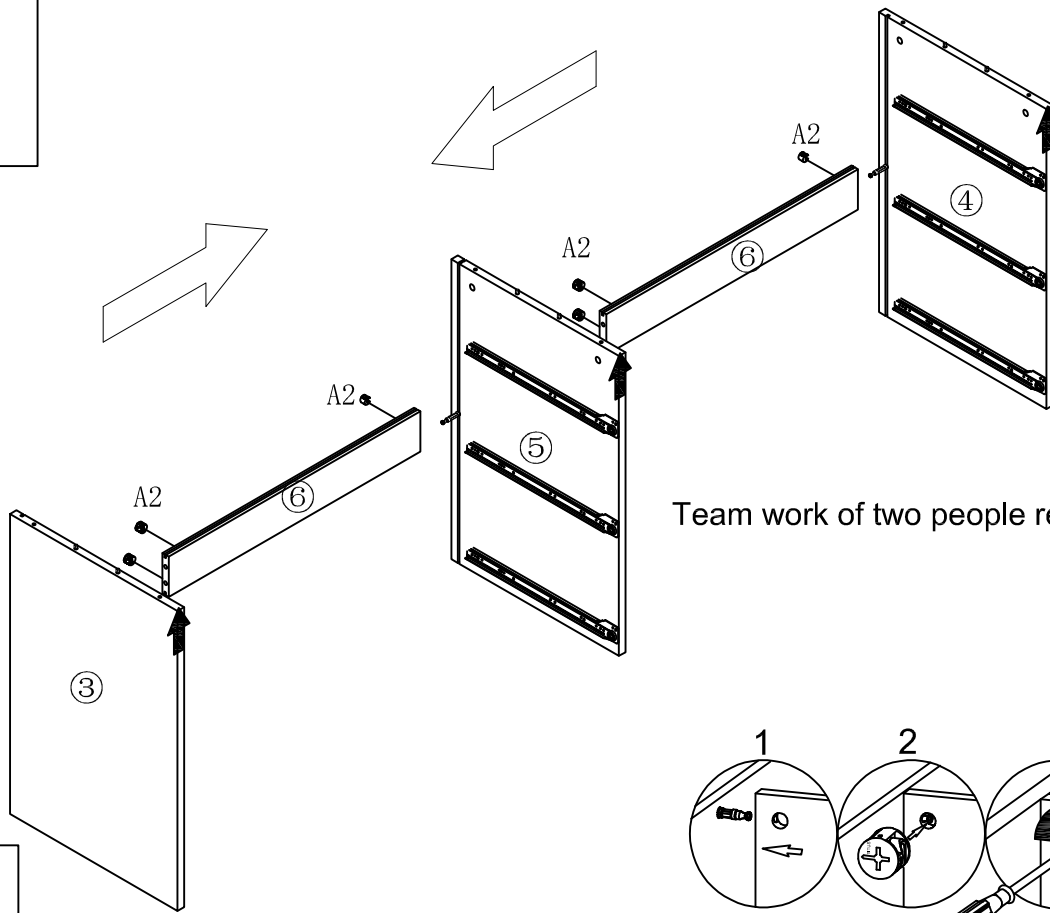
Right of panel ⑤

Detail of Board 5 right side.

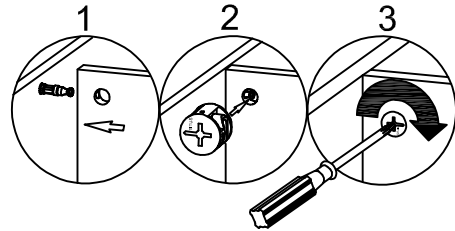
A1	B $\phi 8 \times 40$	C1	D $\phi 3.5 \times 14$
3pcs	4pcs	3pcs	12pcs

Note: Board side with holes face up; rails need to be aligned at different direction.

3



Team work of two people recommended.

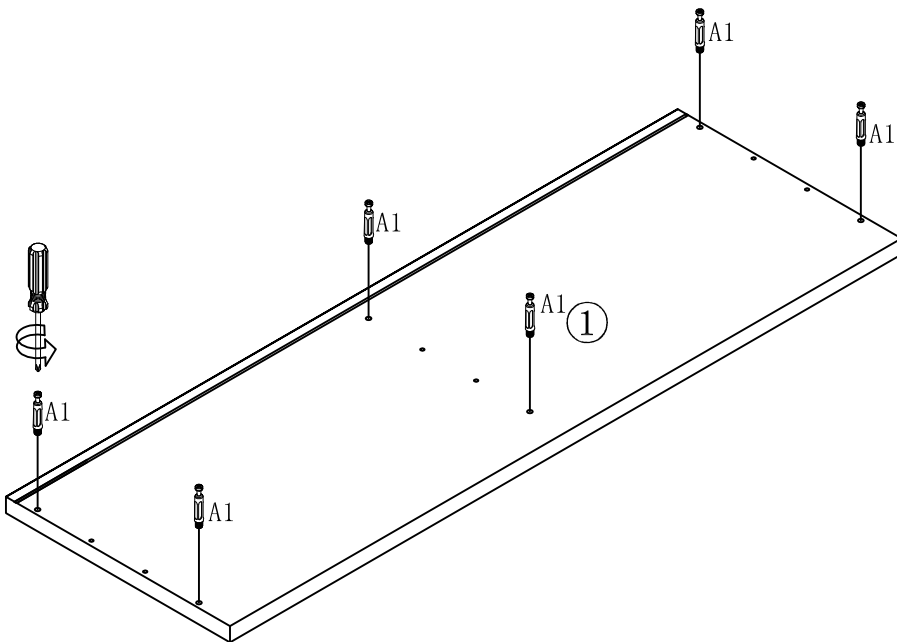


A2



6pcs

4

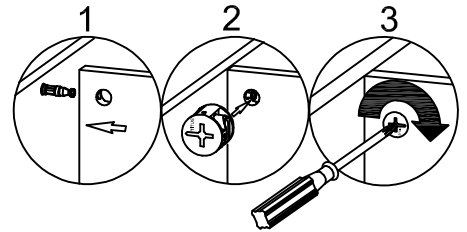
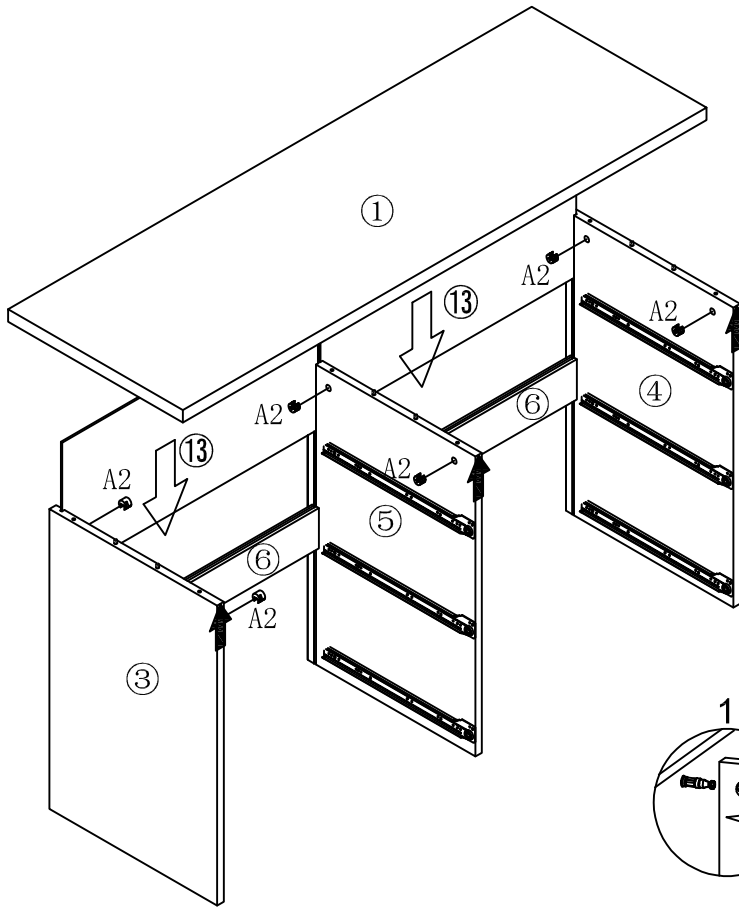
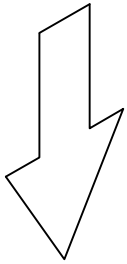


A1



6pcs

5

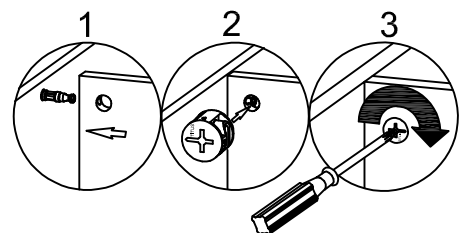
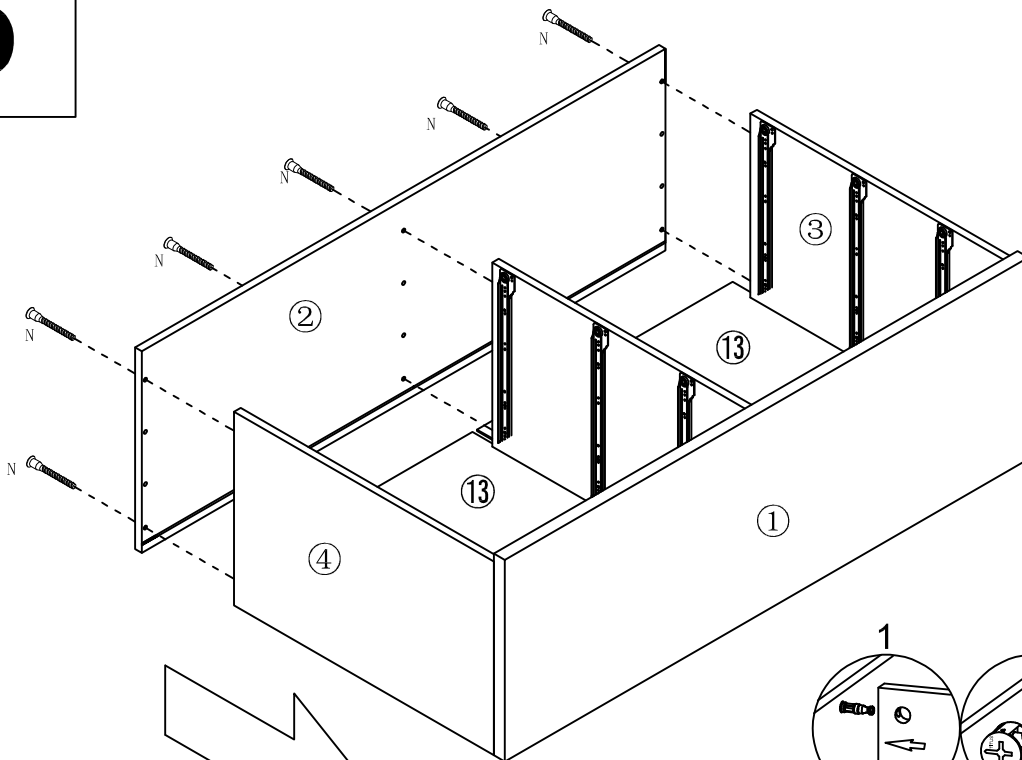
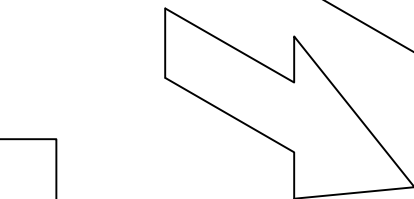


A2



6pcs

6

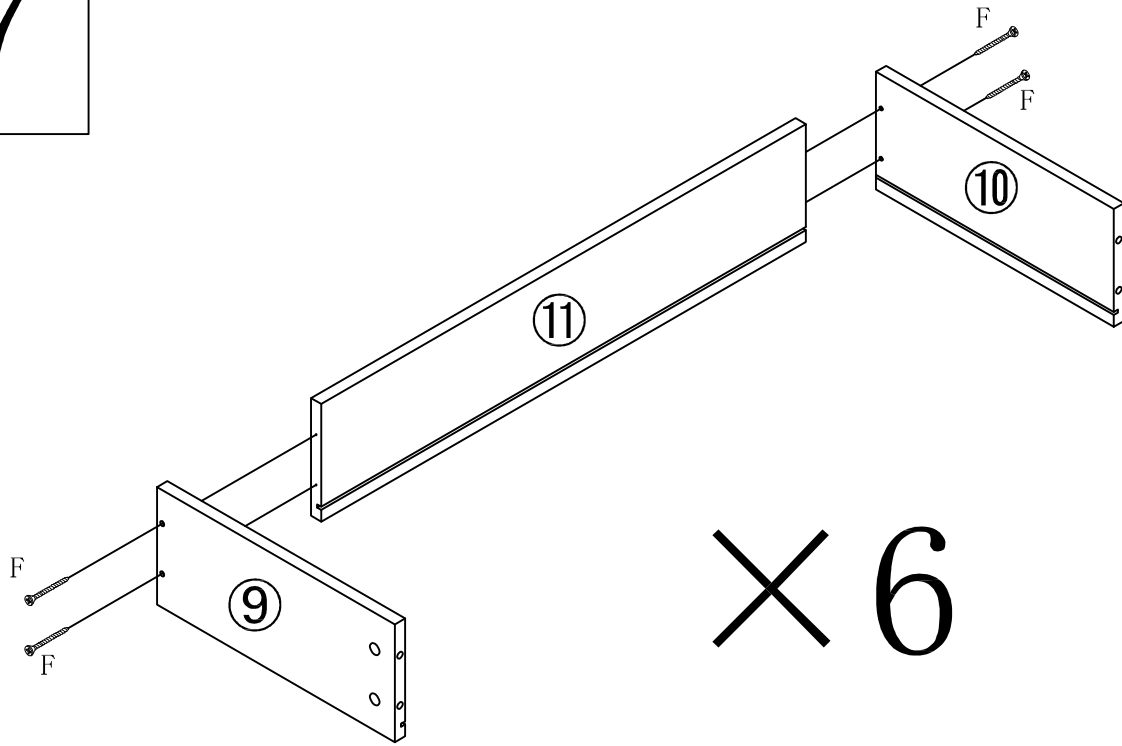


N

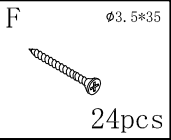


6pcs

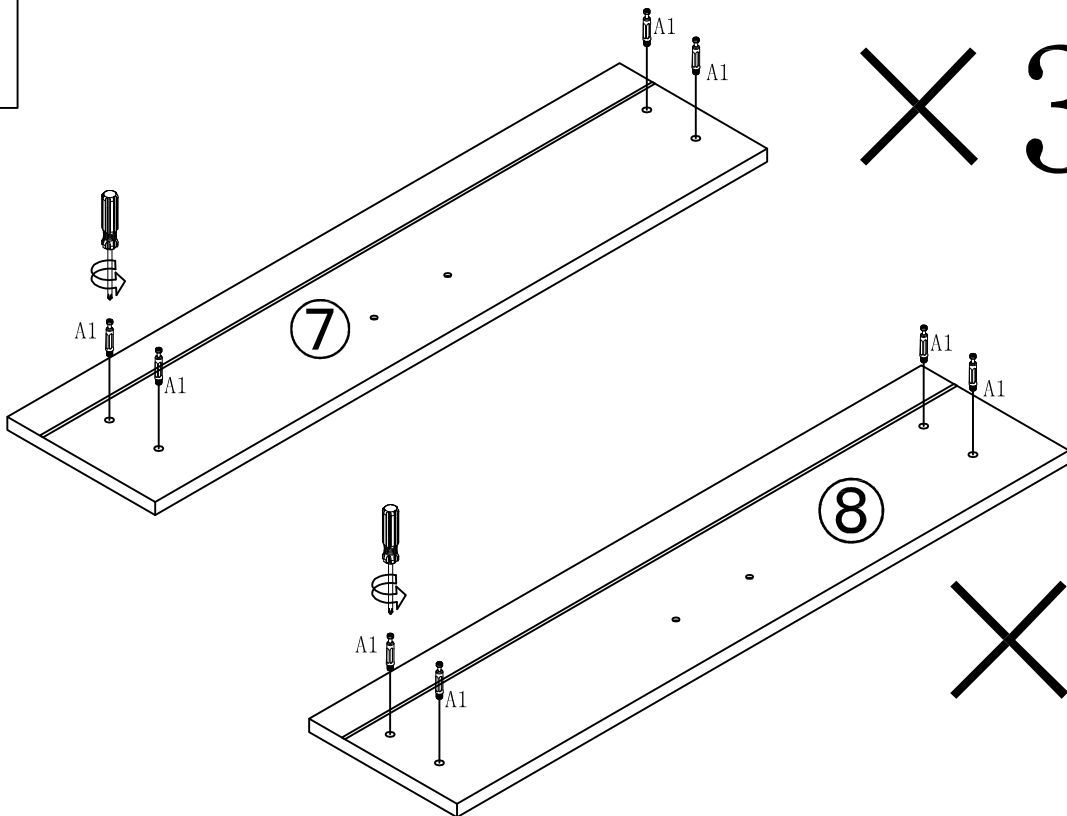
7



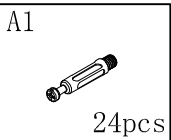
x 6



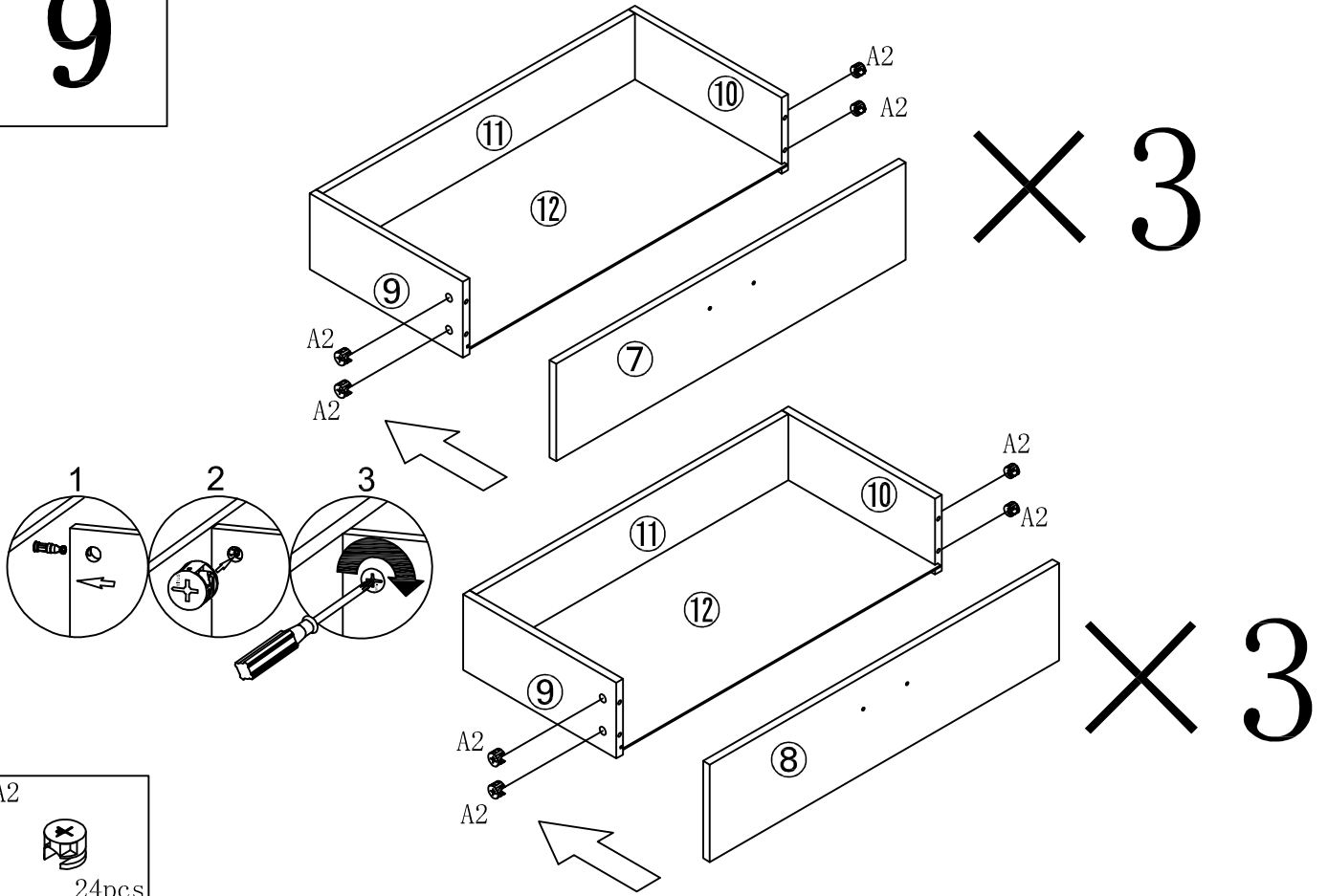
8



x 3

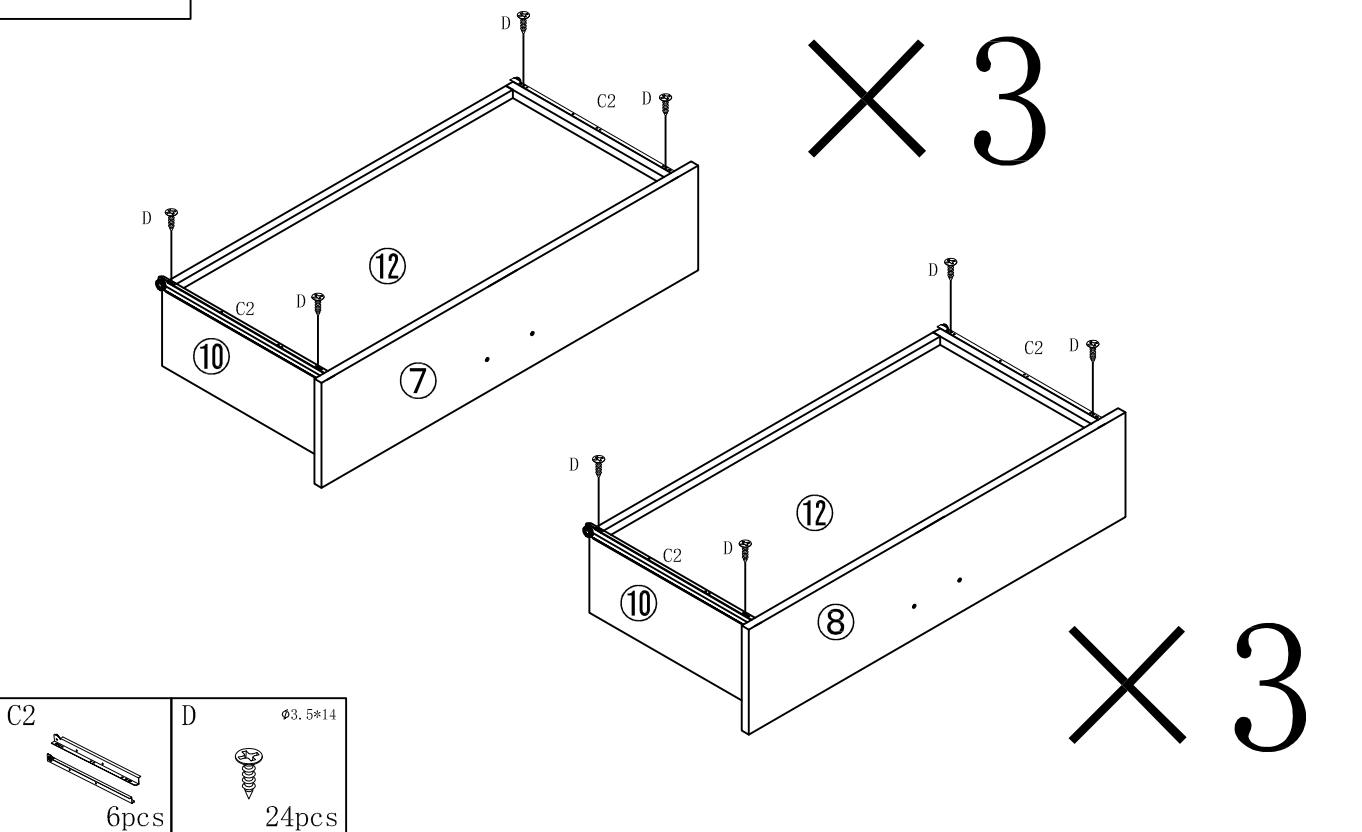


9

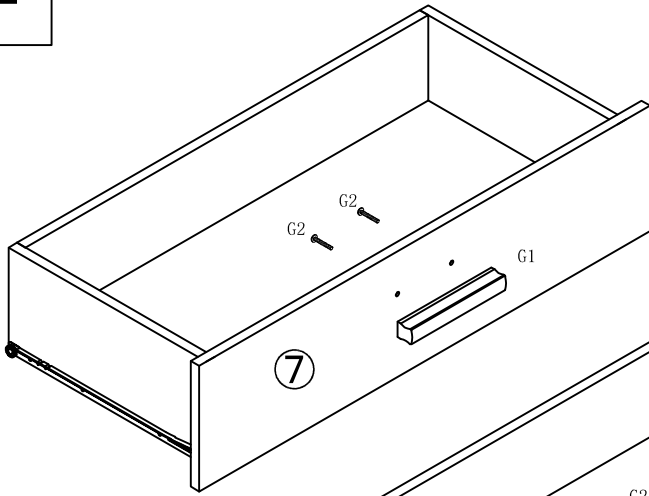


10

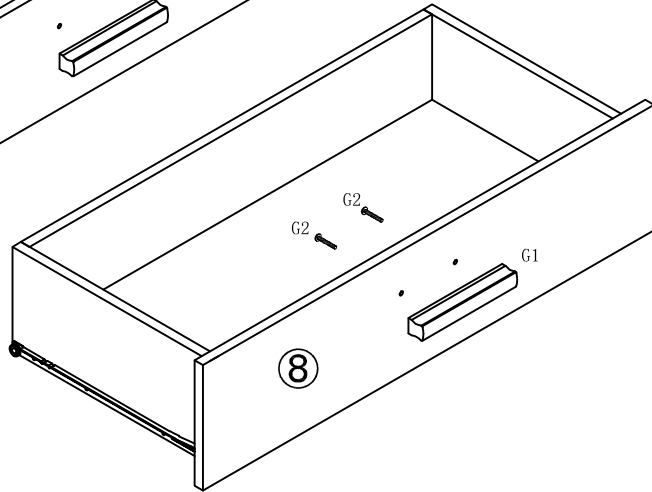
The installation of rail C2: rollers facing outward.



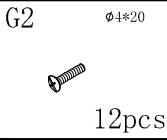
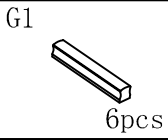
11



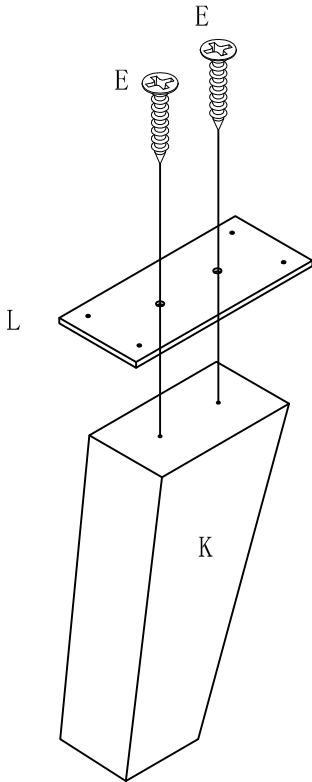
× 3



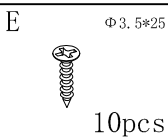
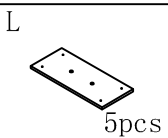
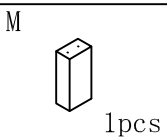
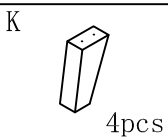
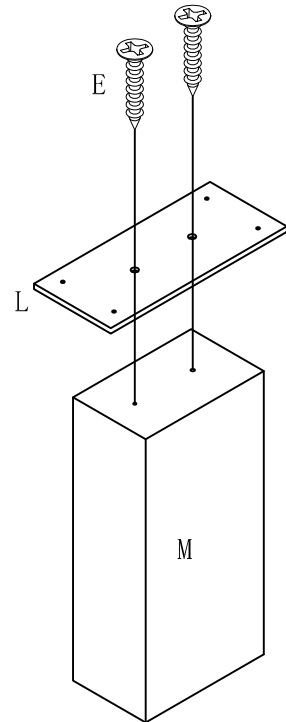
× 3



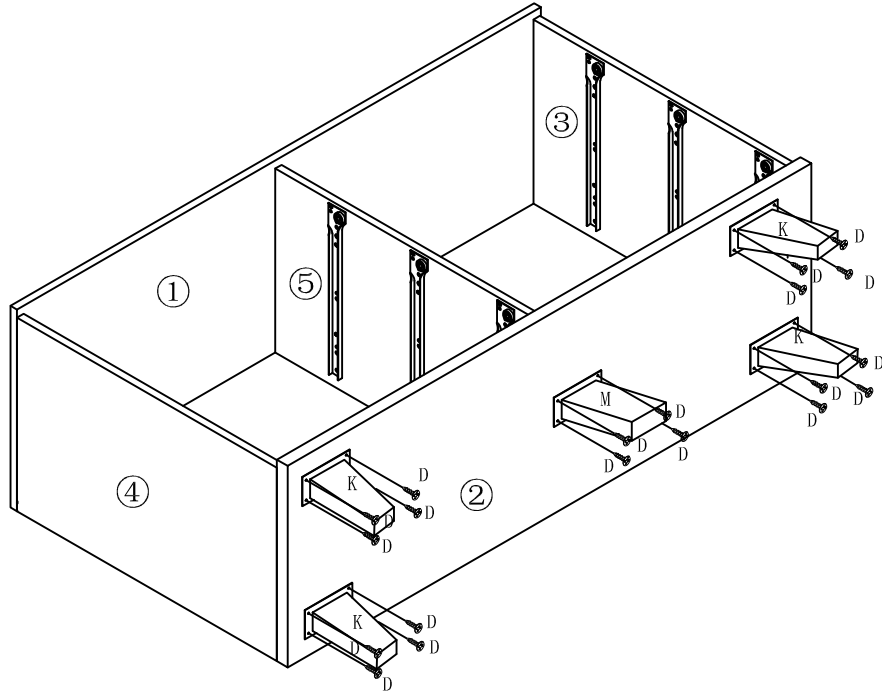
12




× 4



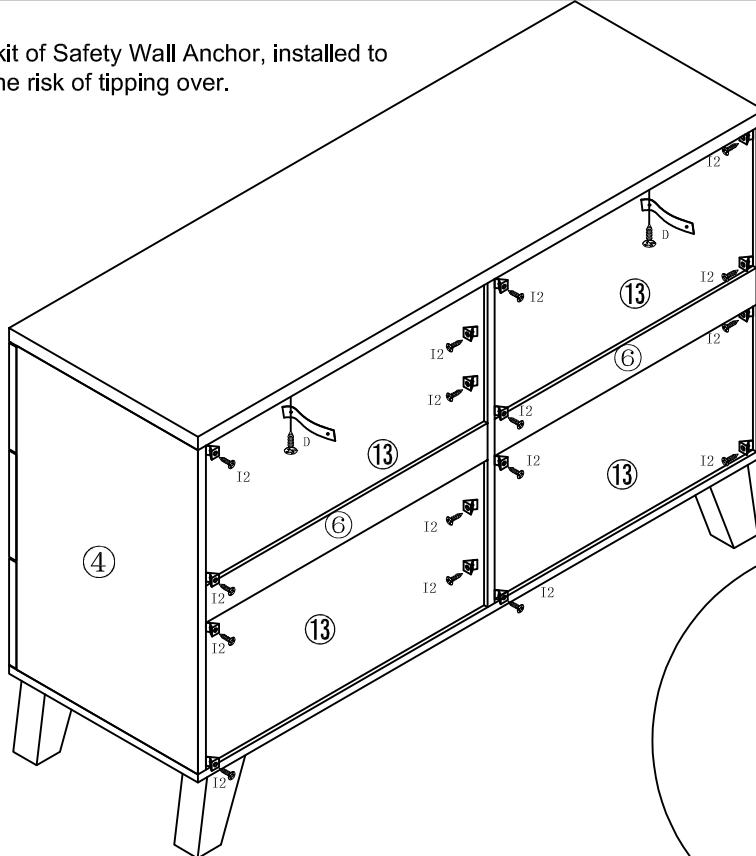
13







D $\varnothing 3.5 \times 14$

 20pcs

14

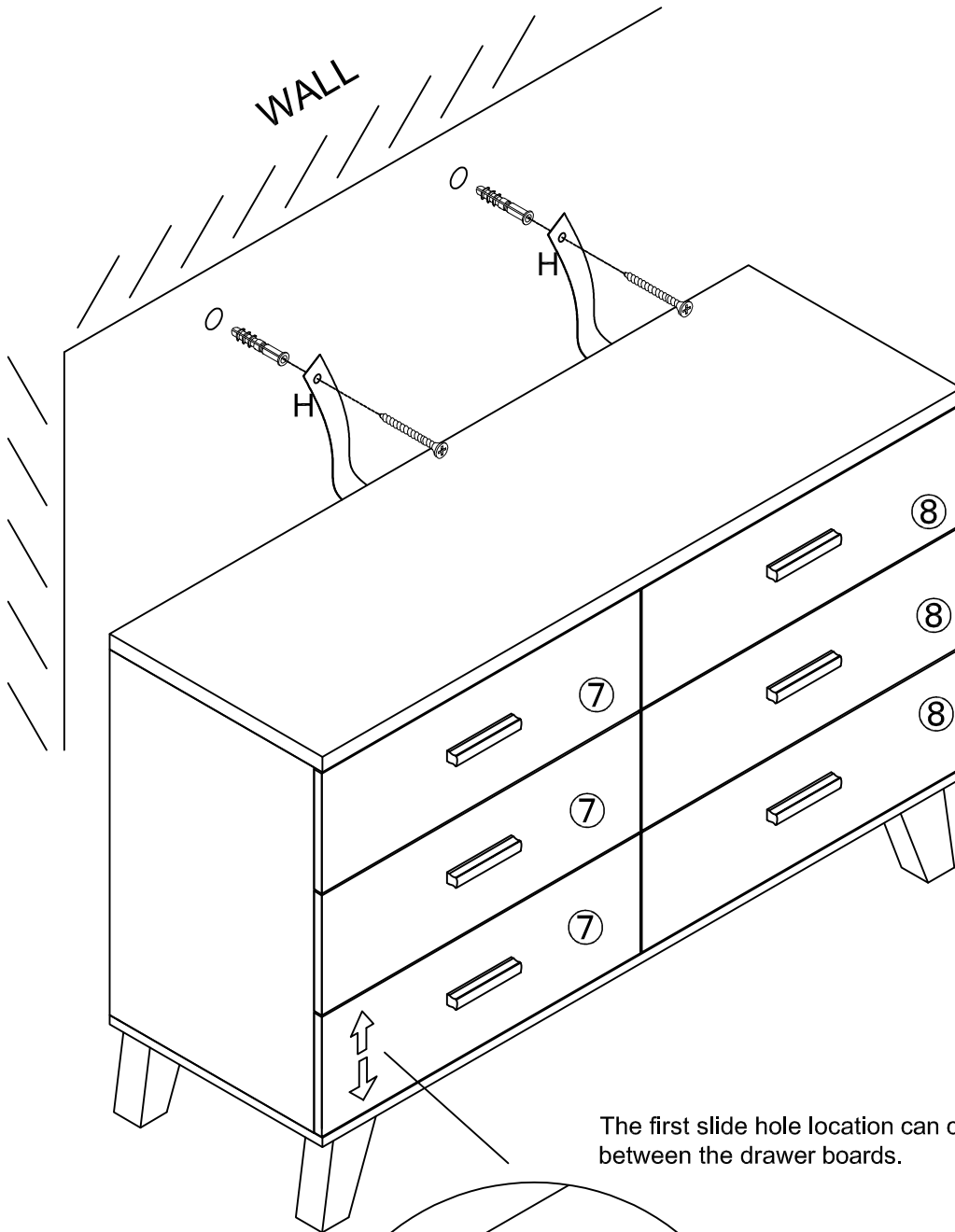
H is the kit of Safety Wall Anchor, installed to reduce the risk of tipping over.



I1	I2 $\varnothing 3 \times 14$	D $\varnothing 3.5 \times 14$	H
			
16pcs	16pcs	2pcs	2pcs

15

Board ⑦ and Board ⑧ are NON-interchangeable.



The first slide hole location can change the gap between the drawer boards.

