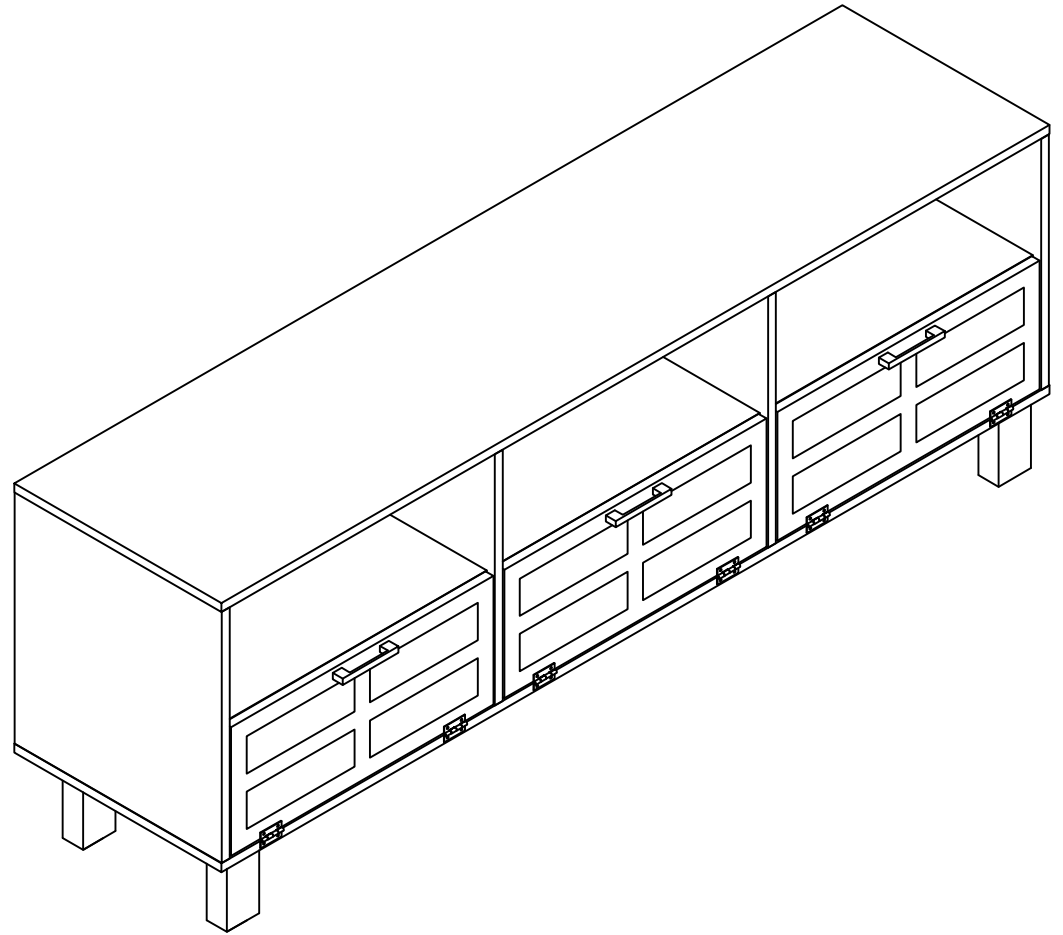


Assembly Instructions

DMIDYLL



Thank you for your purchase.

Please follow the instructions below for the correct assembly.

▲ For higher efficiency, we recommend to use a power drill; the power drill should be set on the low speed to avoid screw stripping.

▲ CAUTION

This package contains small parts and hardware; keep it from children to avoid accidental swallowing

Disclaimer

All information provided in this manual, including but not limited to notes, pictures, instructions, schematic diagrams, assembly procedures and safety precautions, is in good faith and every reasonable effort has been made to ensure that the provided information is proper, correct and accurate to the best of the manufacturer's knowledge.

Under no circumstance shall the manufacturers, the distributors, the sales agents and the associates, contractors and employees of the above organizations be held liable for any direct, indirect, consequential or incidental losses, damages, injuries or accidents of any kind incurred as a result of the assembly, adjustment and use of the furniture contained in this box. By reading this manual and decide to proceed, you are deemed to agree to accept full personal responsibility and liability for any possible personal injury or damage you suffer from your actions, directly or indirectly, arising out of or in connections with the assembly, adjustment and use of the furniture.

Caution



Personal injury can occur during the assembly and adjustment of the furniture contained in this box. You will be solely responsible for your personal safety and potential injuries.

PPE Recommendation

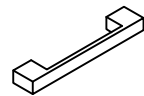
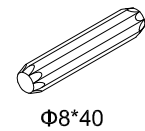
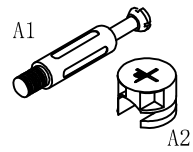
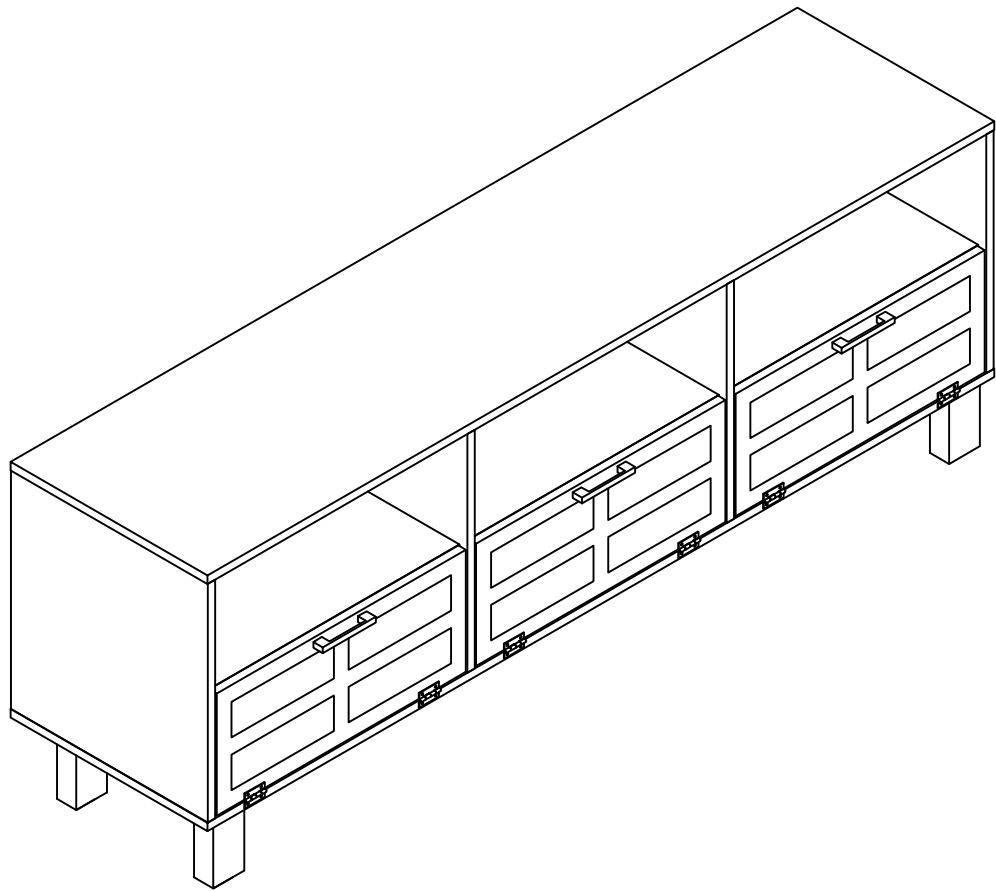
Proper PPEs (Personal Protection Equipment) are recommended to use during assembly and adjustment of the furniture.

Gloves



Safety
Goggles





A 20pcs

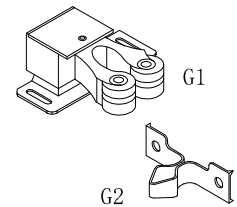
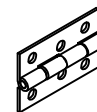
B 28pcs

C 8pcs

D 3pcs



Φ4*20



G1

G2



Φ3.5*14

E 6pcs

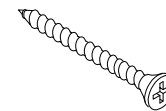
F 6pcs

G 3pcs

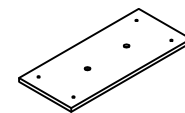
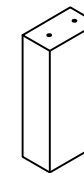
H 35pcs



Φ3*14-BLACK



Φ3.5*25



I 36pcs

J 10pcs

K 5pcs

L 5pcs



Φ3*14

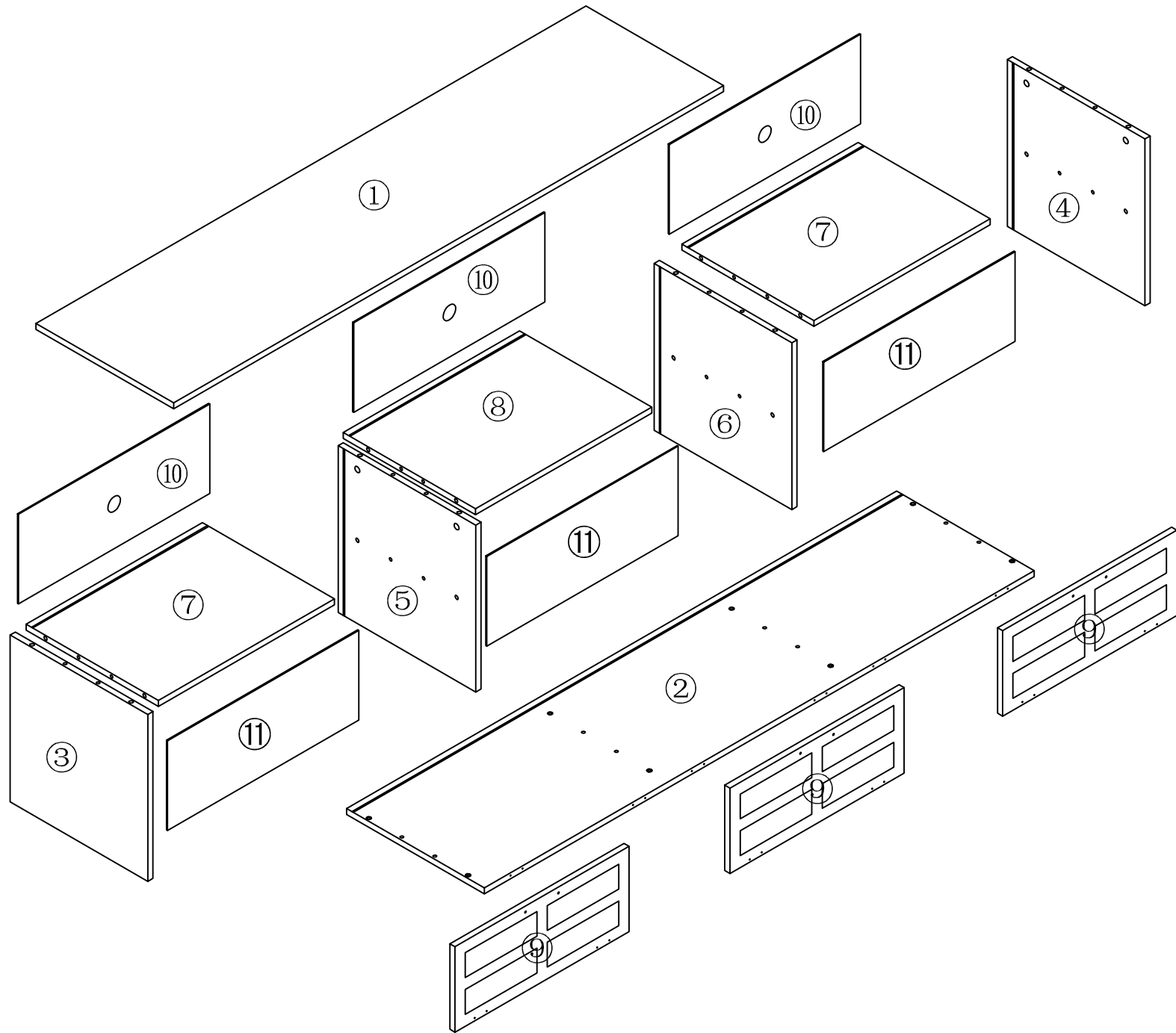


M 28pcs

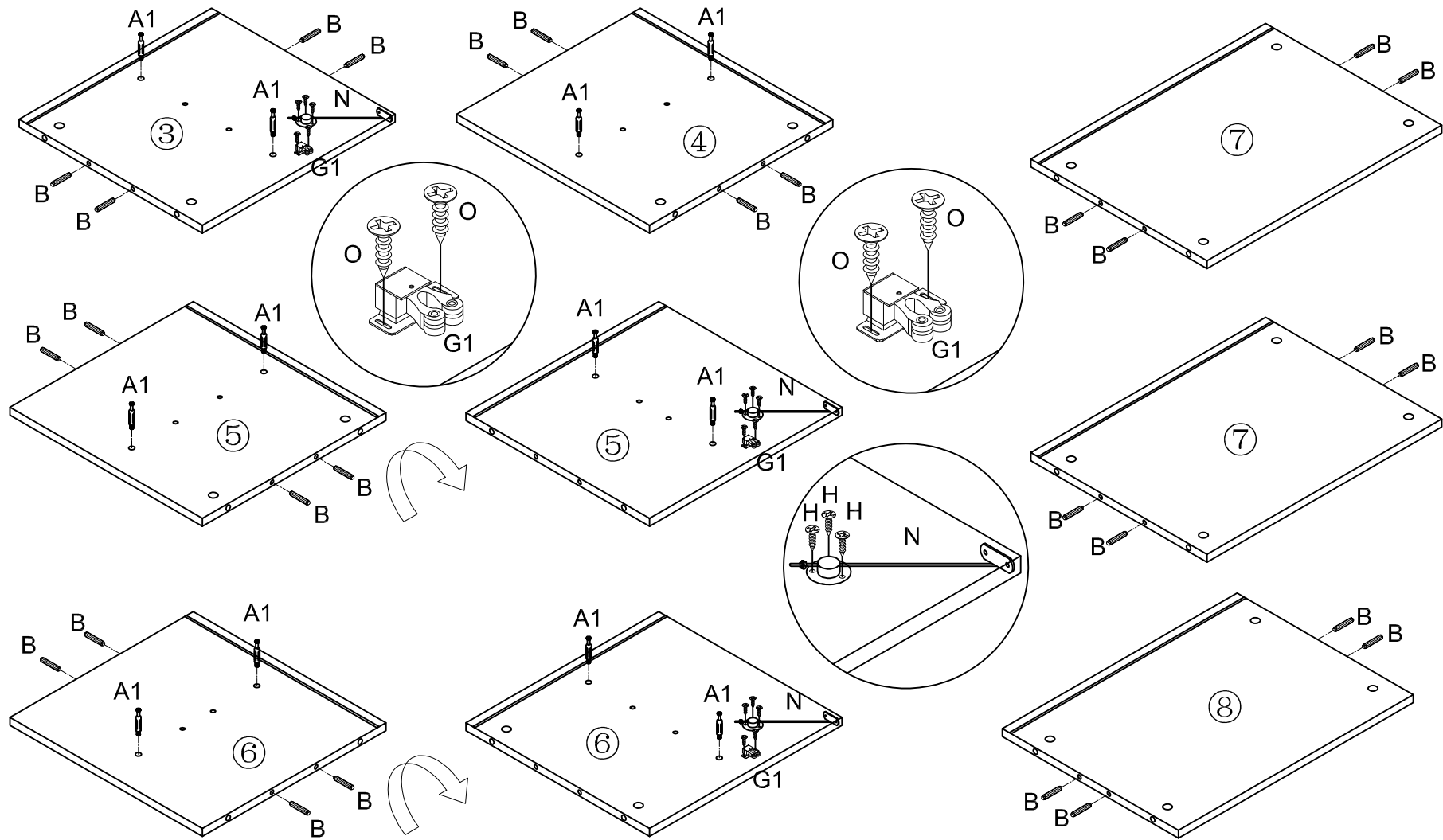
N 3pcs


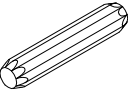




O 12pcs

P 16pcs

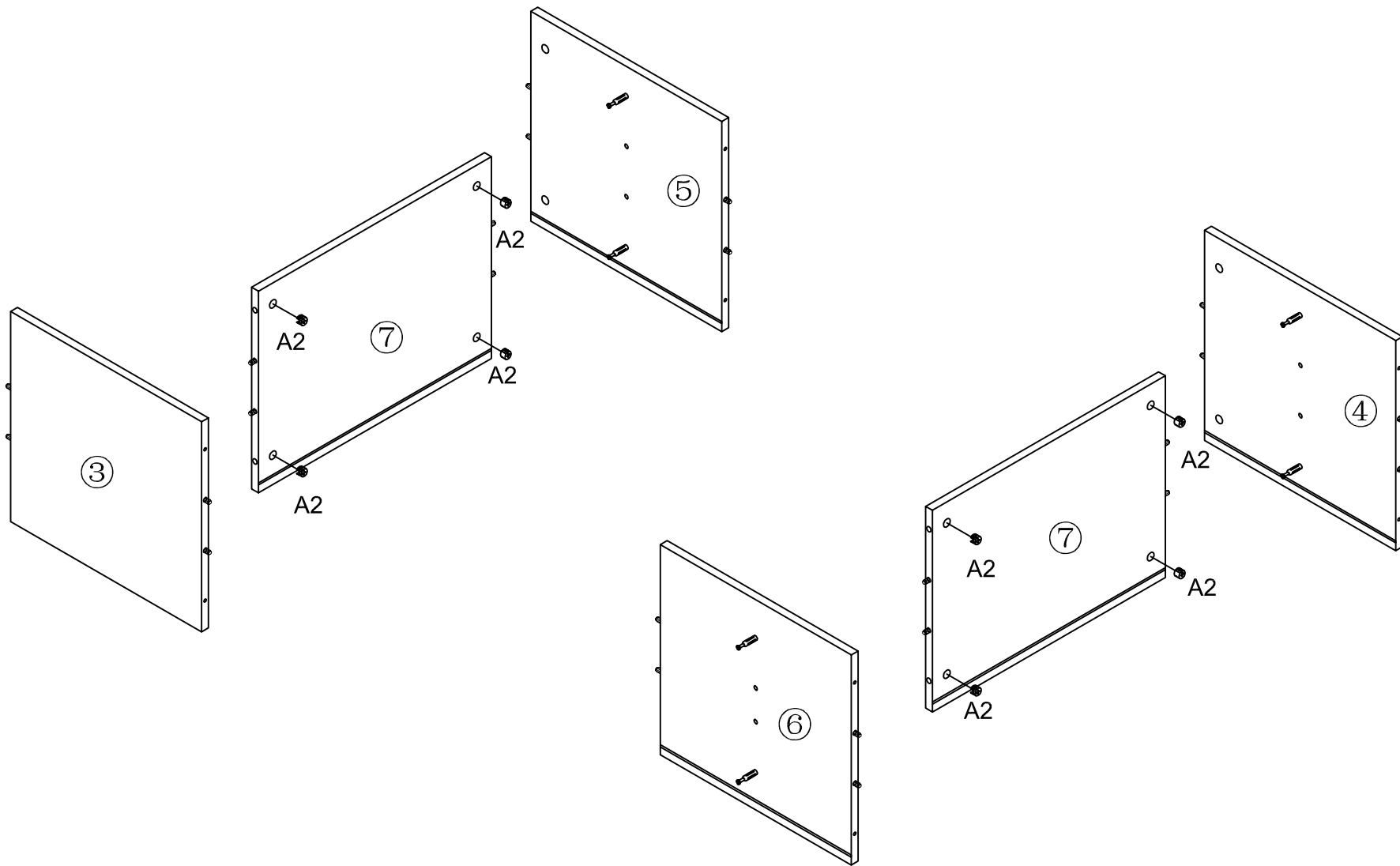


1



A1  12pcs	B $\Phi 8 \times 40$  28pcs	G1  3pcs	H $\Phi 3.5 \times 14$  9pcs	N  3pcs	O $\Phi 3 \times 14$  6pcs
--	---	--	--	---	---

2

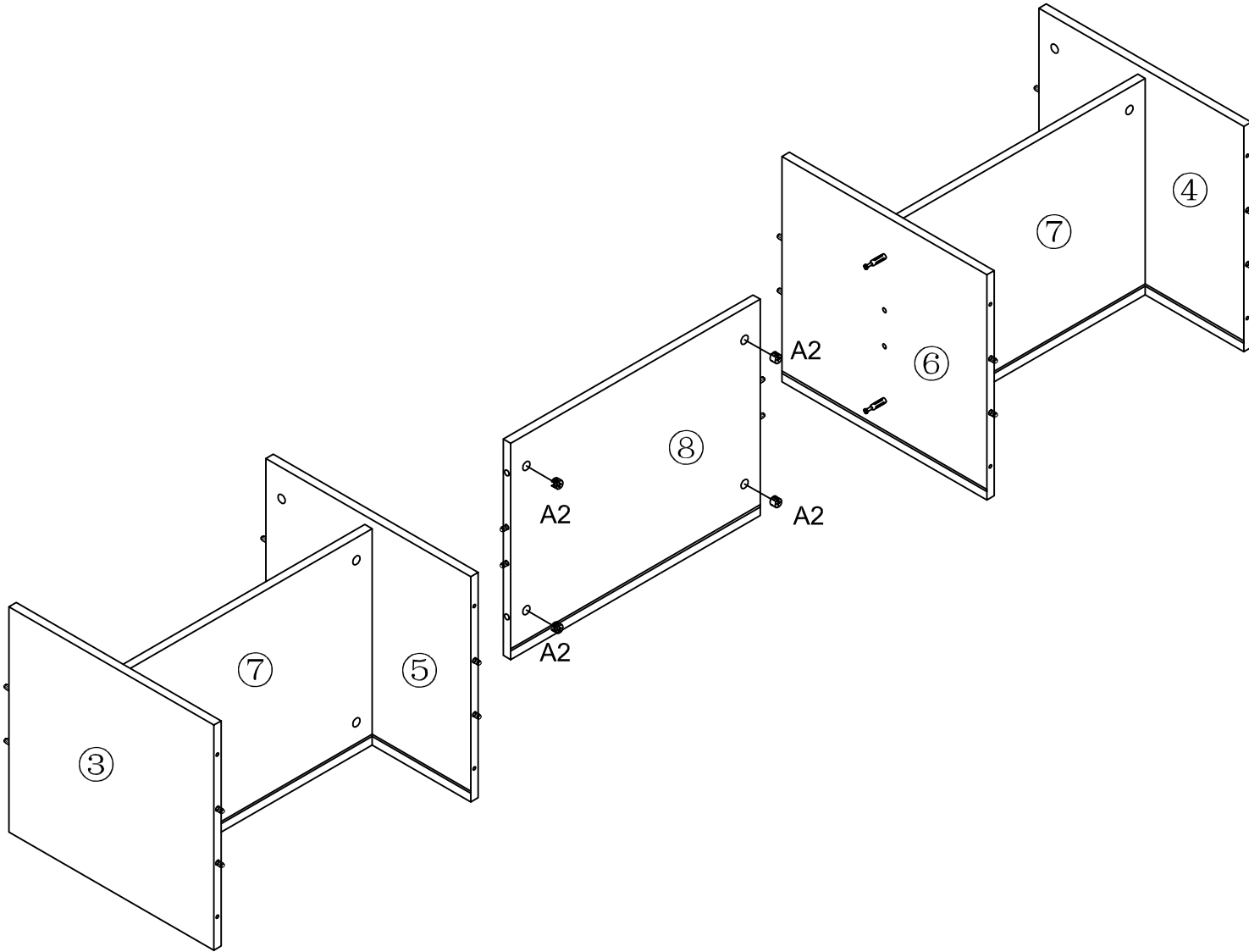


A2



8pcs

3

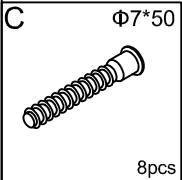
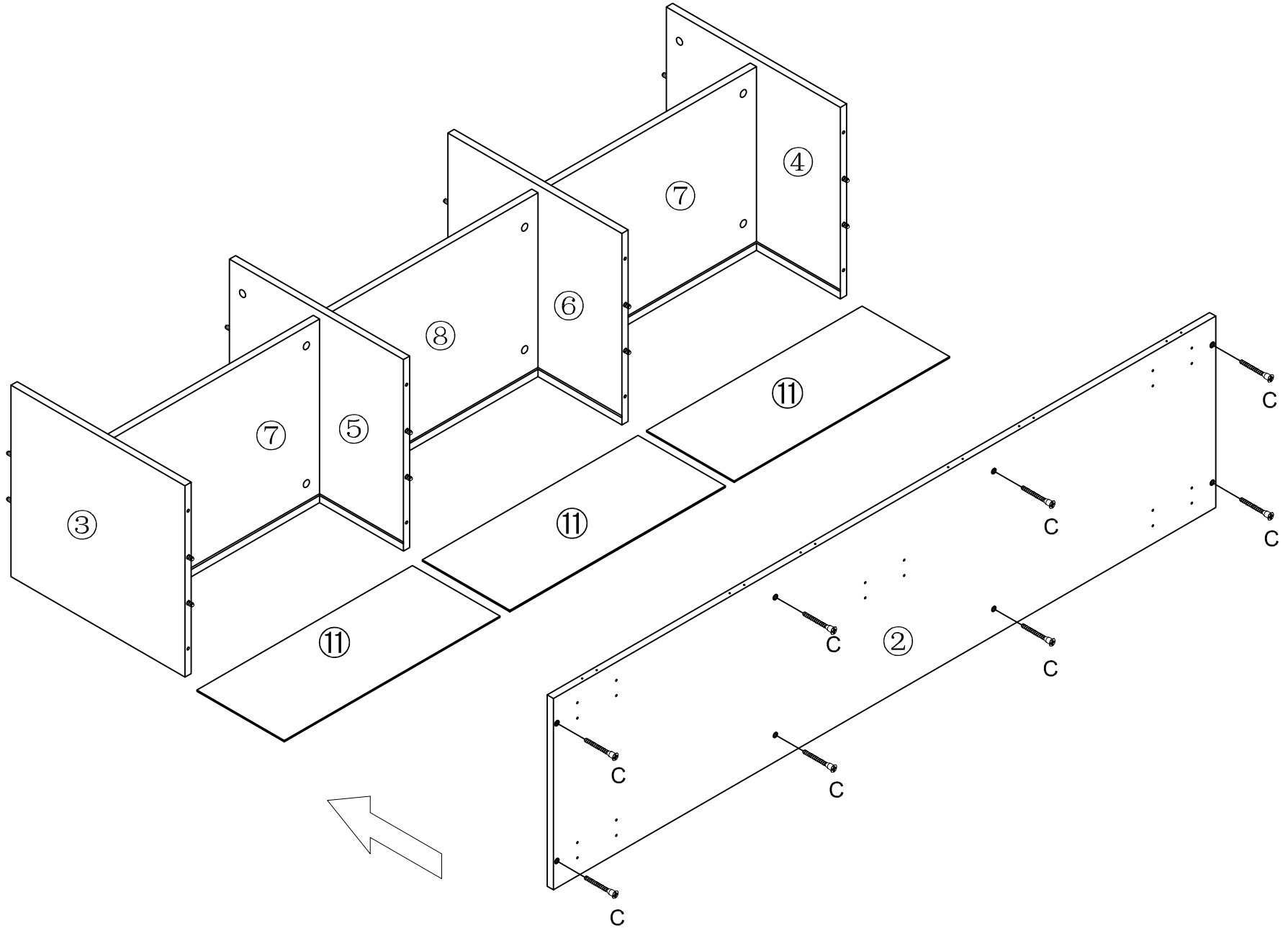


A2

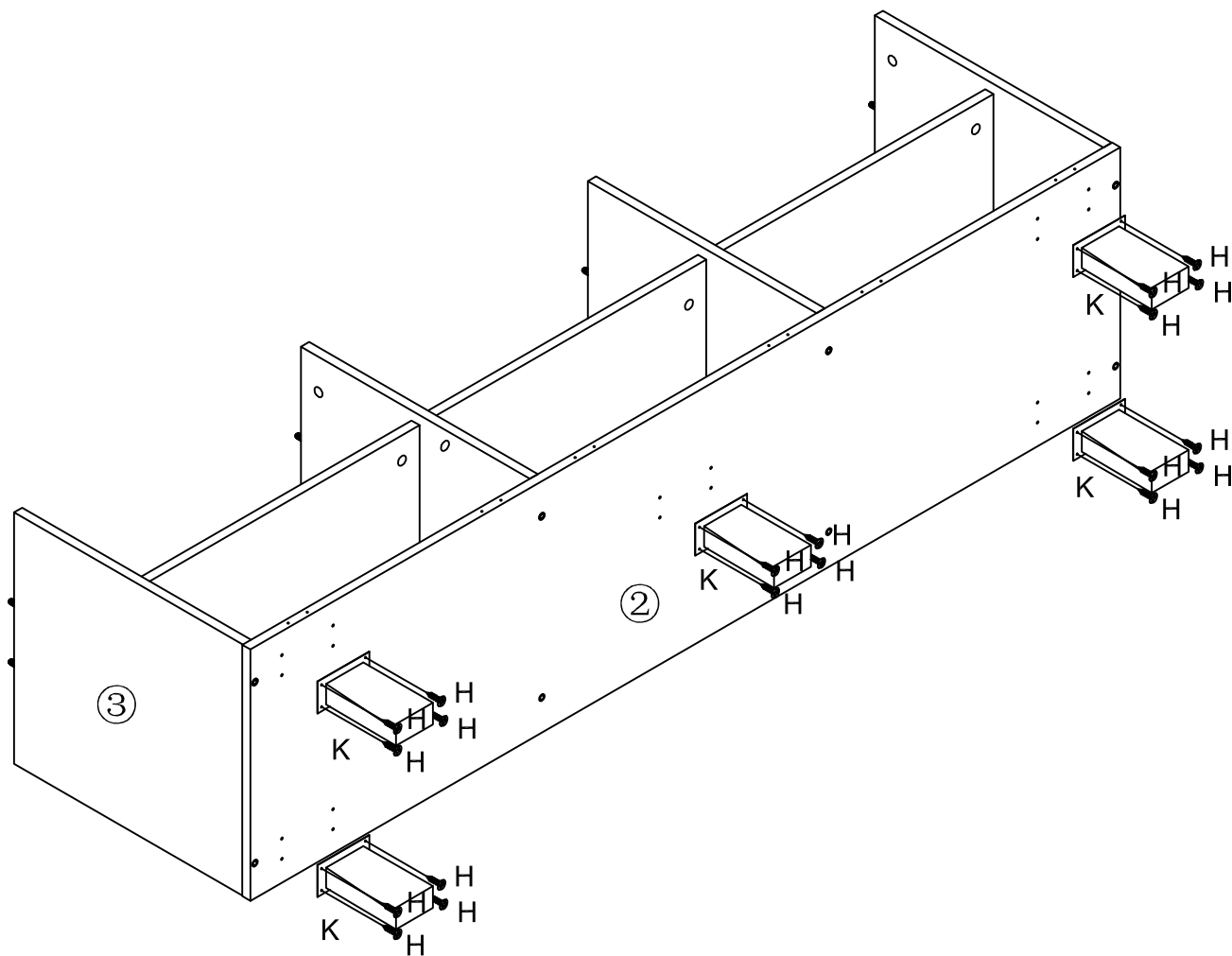
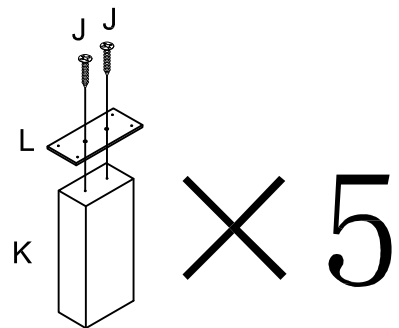



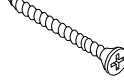
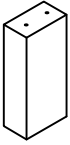
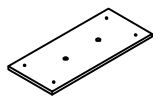
4pcs

4

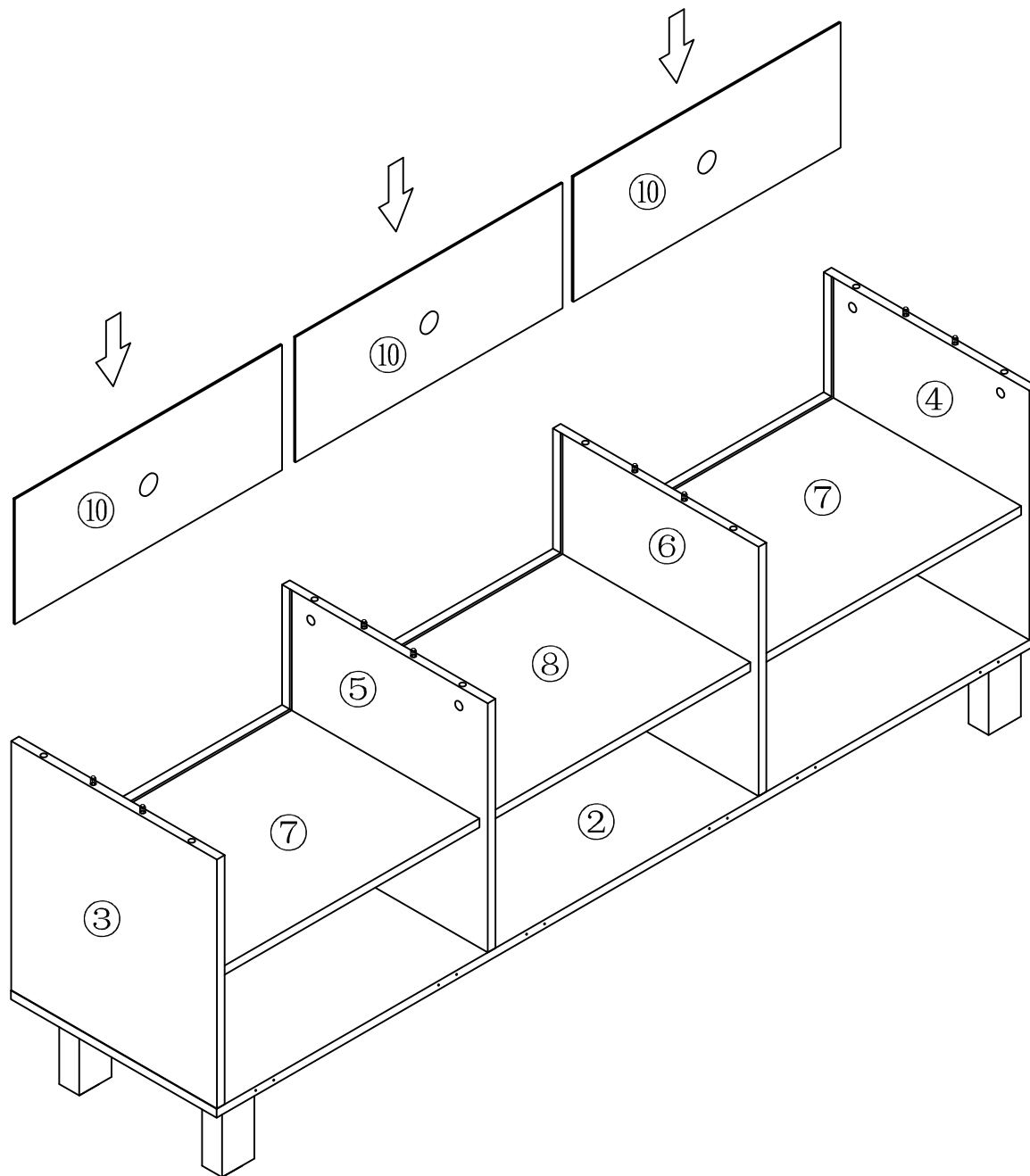


5

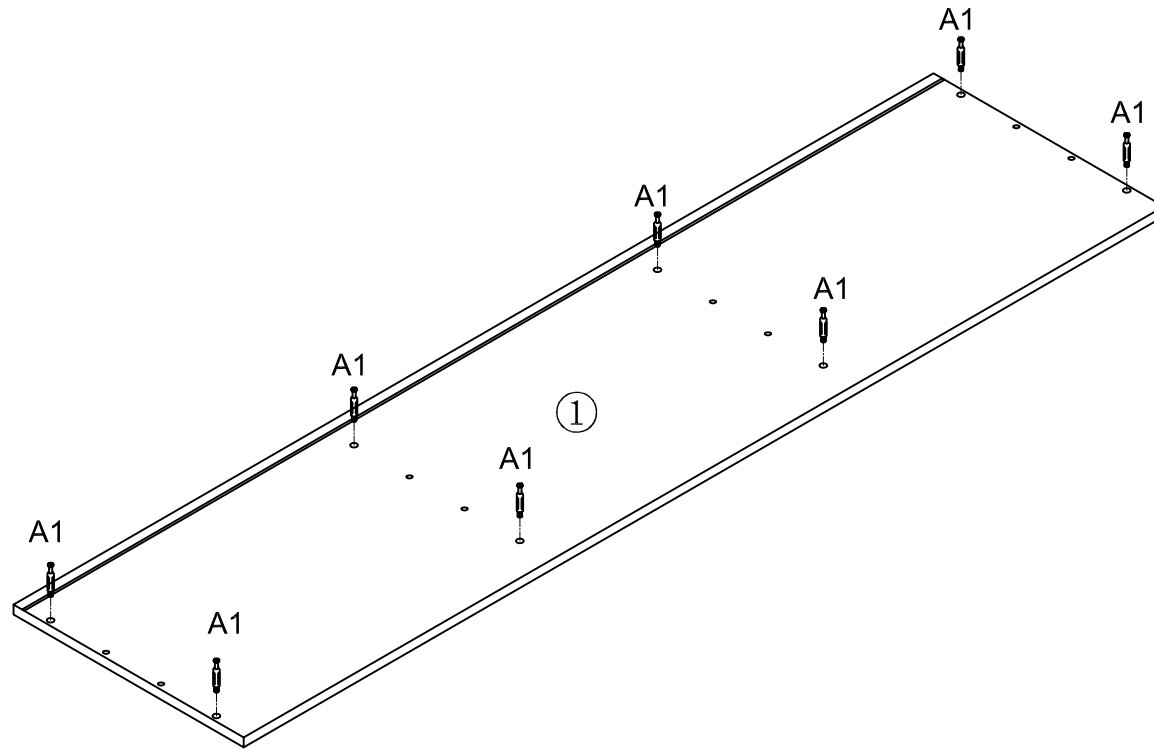


H	$\Phi 3.5 \times 14$	J	$\Phi 3.5 \times 25$	K	L
					
20pcs		10pcs		5pcs	5pcs

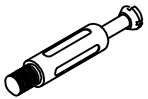
6



7

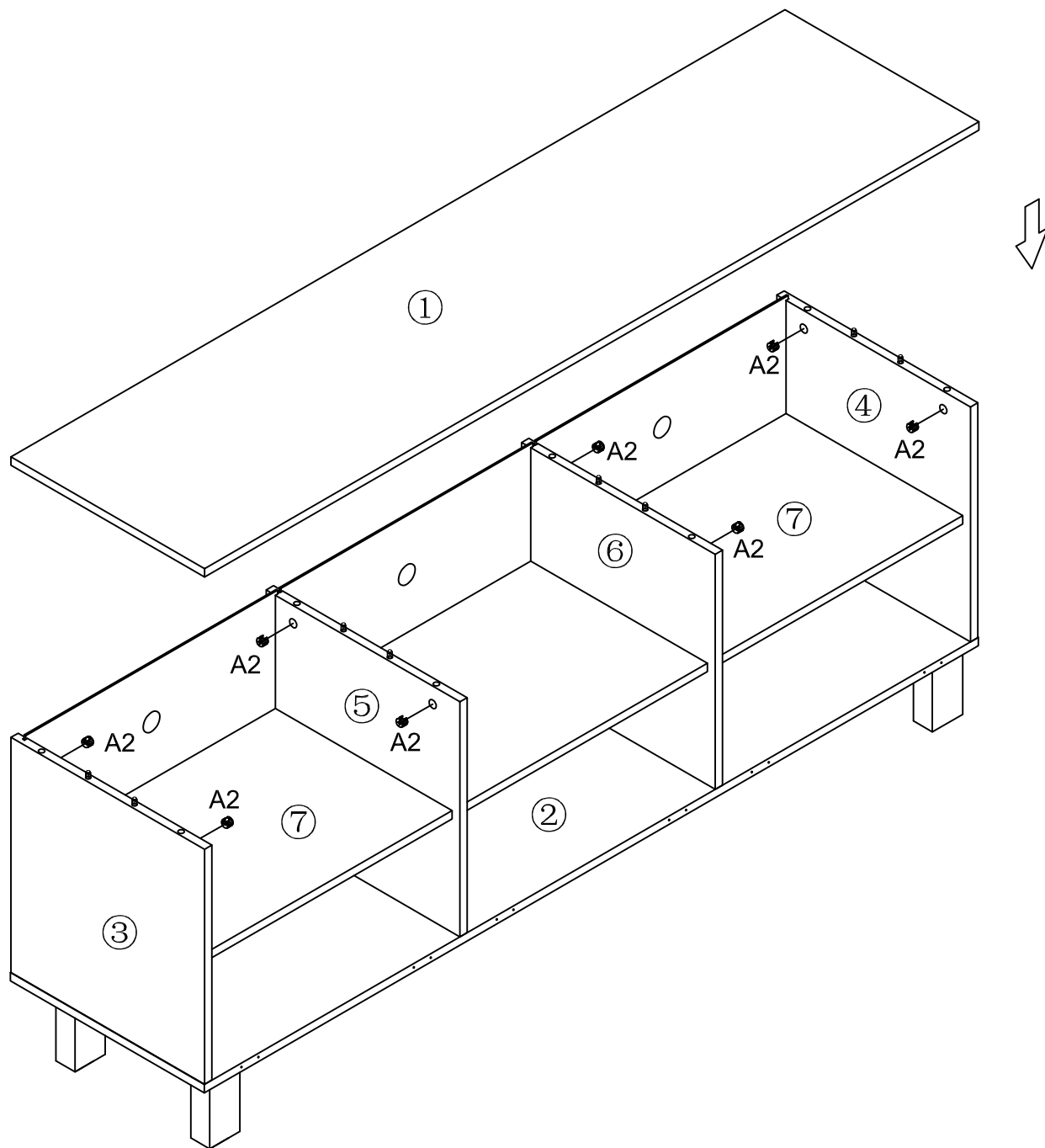


A1



8pcs

8

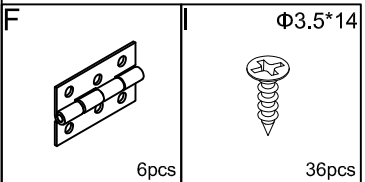
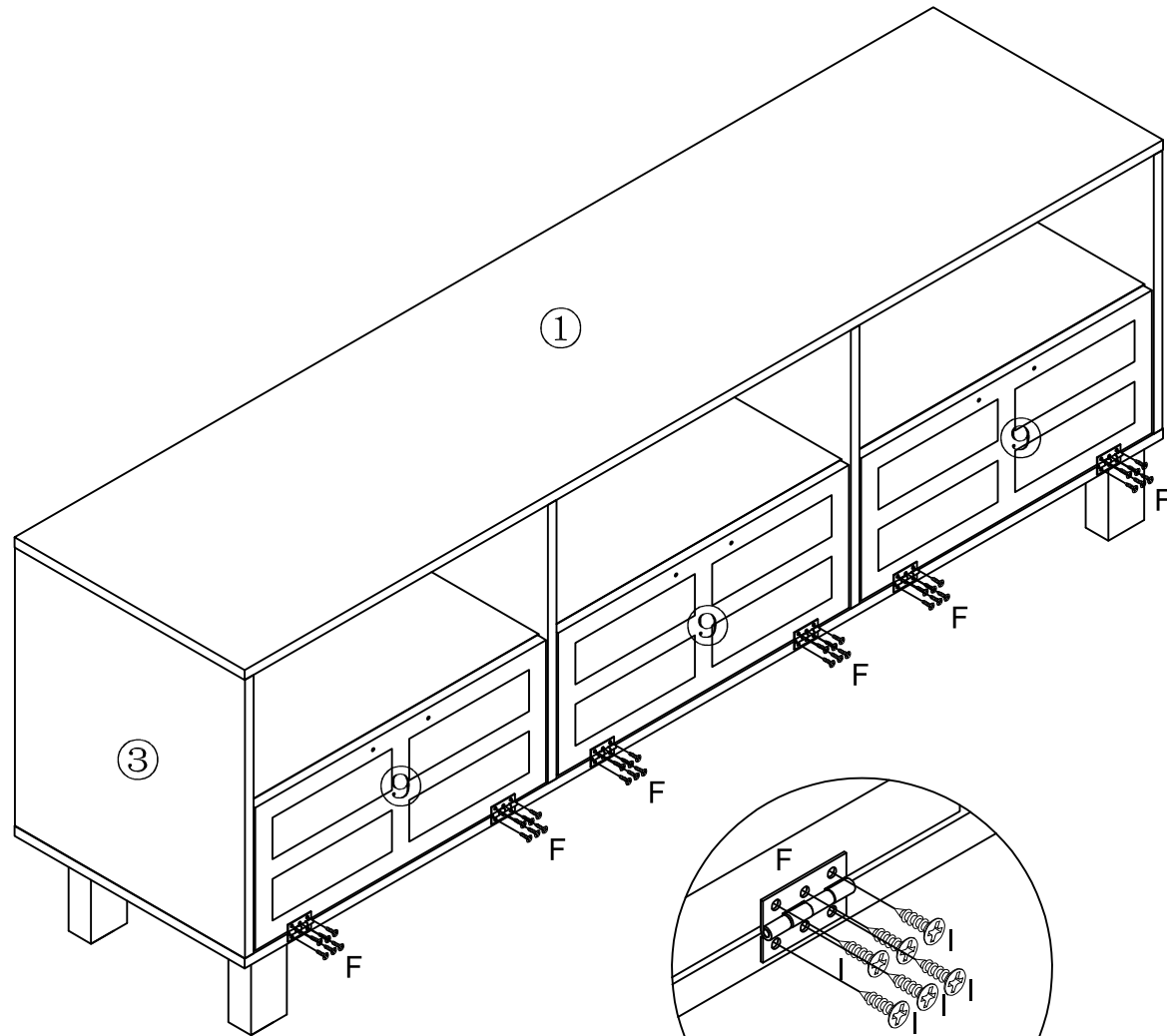


A2

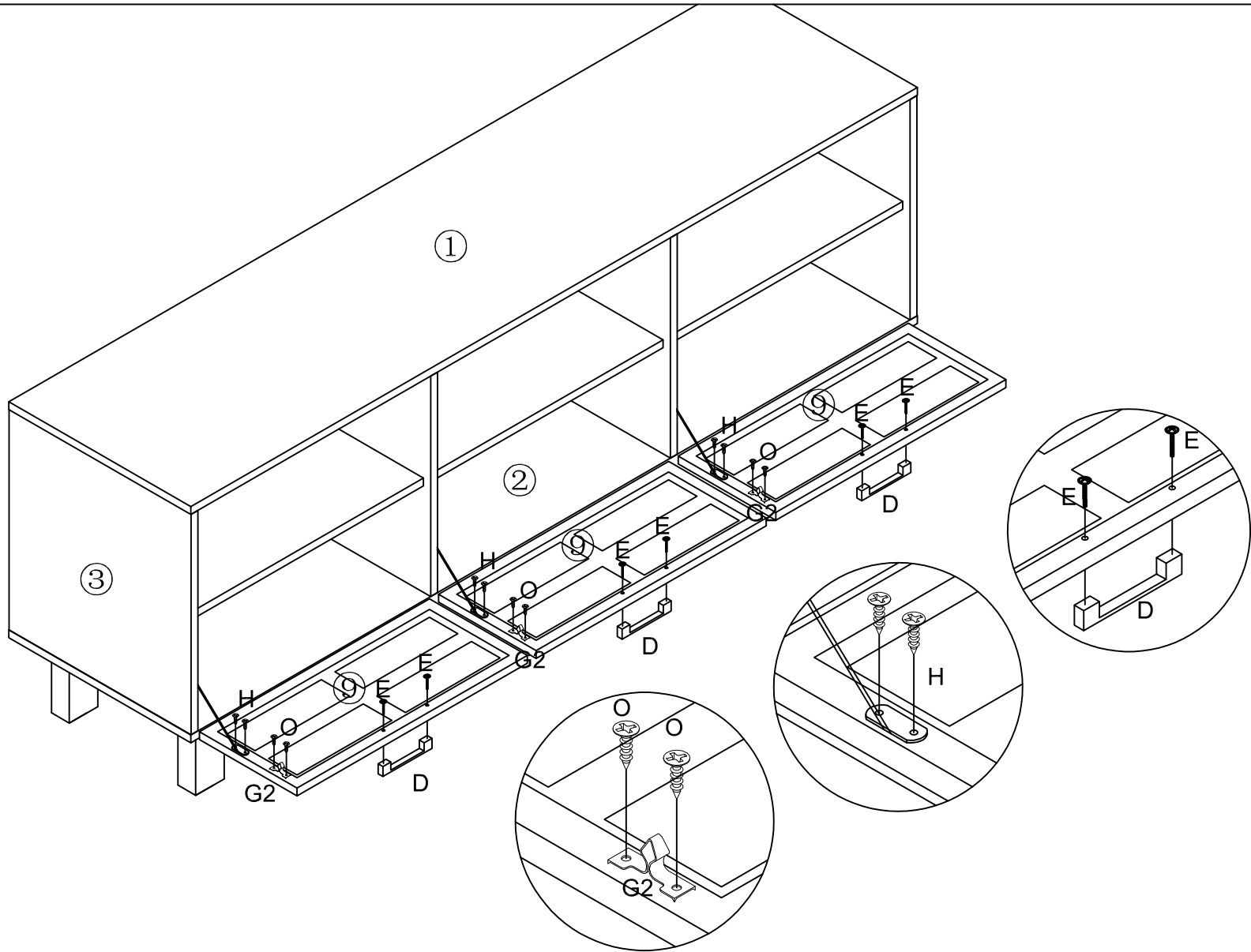


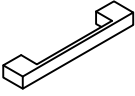

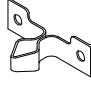


8pcs

9

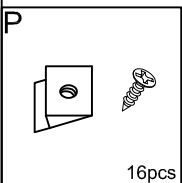
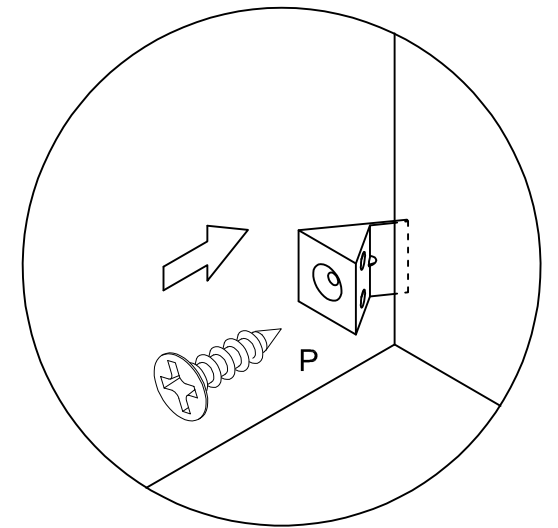
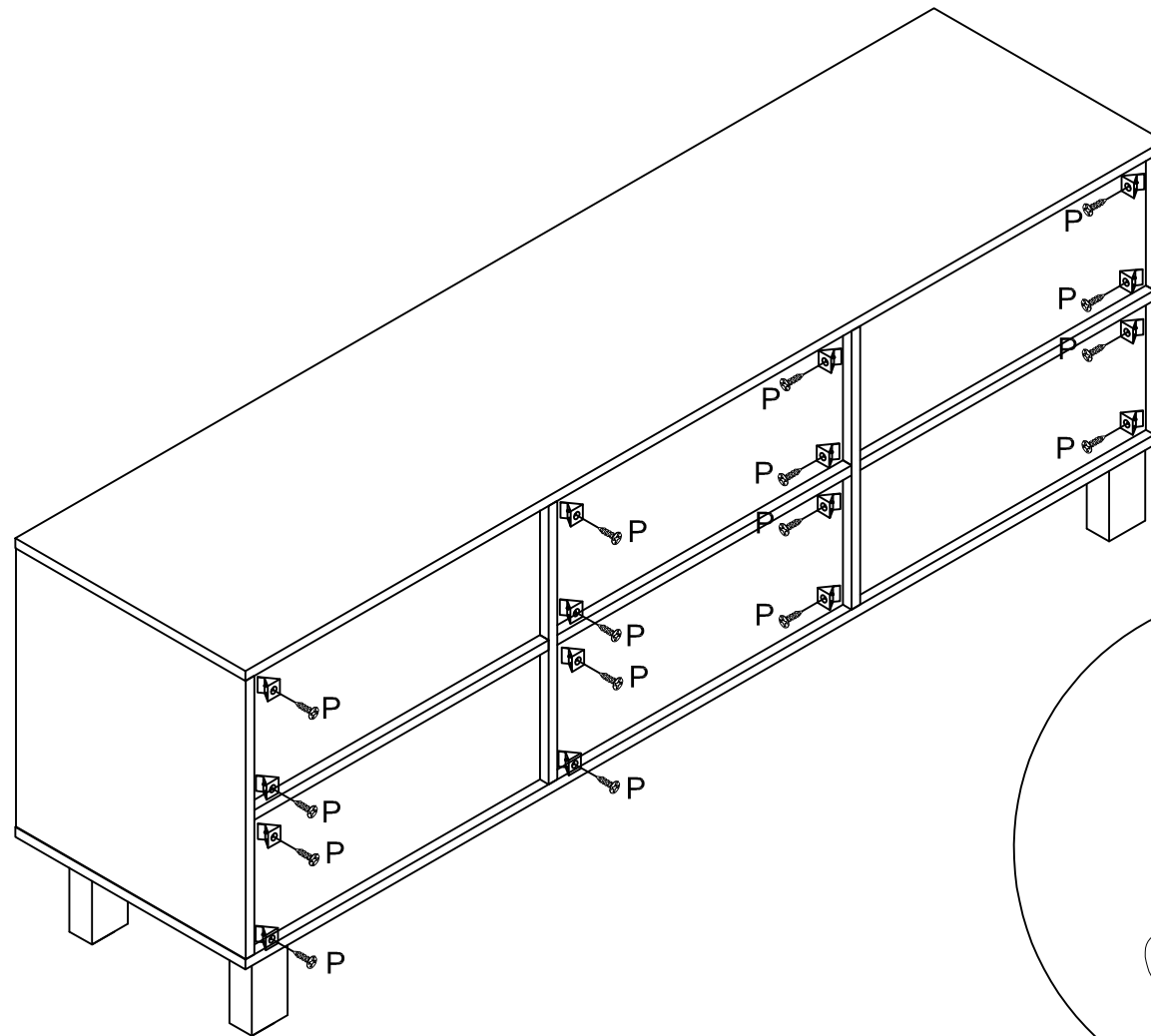


10



D	E	$\Phi 4*20$	G2	H	$\Phi 3.5*14$	O	$\Phi 3*14$
							
3pcs	6pcs		3pcs	6pcs		6pcs	

11



16pcs