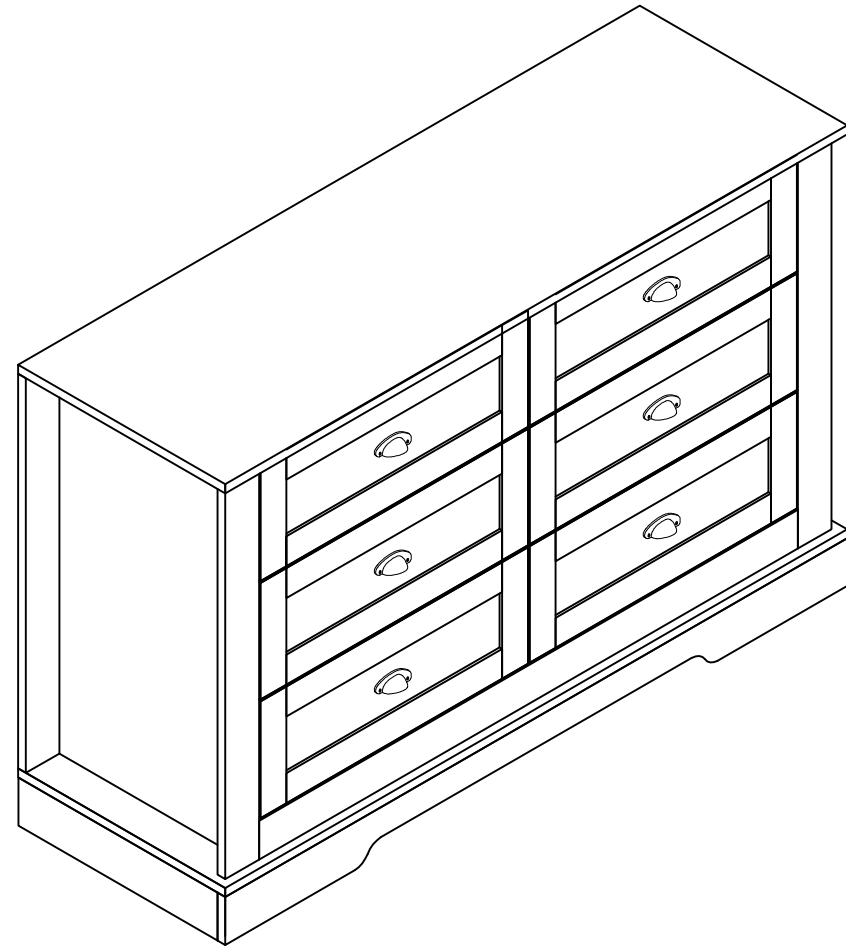


Assembly Instructions



Thank you for your purchase.

Please follow the instructions below for the correct assembly.

▲ For higher efficiency, we recommend to use a power drill; the power drill should be set on the low speed to avoid screw stripping.

▲ CAUTION

This package contains small parts and hardware; keep it from children to avoid accidental swallowing

Disclaimer

All information provided in this manual, including but not limited to notes, pictures, instructions, schematic diagrams, assembly procedures and safety precautions, is in good faith and every reasonable effort has been made to ensure that the provided information is proper, correct and accurate to the best of the manufacturer's knowledge.

Under no circumstance shall the manufacturers, the distributors, the sales agents and the associates, contractors and employees of the above organizations be held liable for any direct, indirect, consequential or incidental losses, damages, injuries or accidents of any kind incurred as a result of the assembly, adjustment and use of the furniture contained in this box. By reading this manual and decide to proceed, you are deemed to agree to accept full personal responsibility and liability for any possible personal injury or damage you suffer from your actions, directly or indirectly, arising out of or in connections with the assembly, adjustment and use of the furniture.

Caution



Personal injury can occur during the assembly and adjustment of the furniture contained in this box. You will be solely responsible for your personal safety and potential injuries.

PPE Recommendation

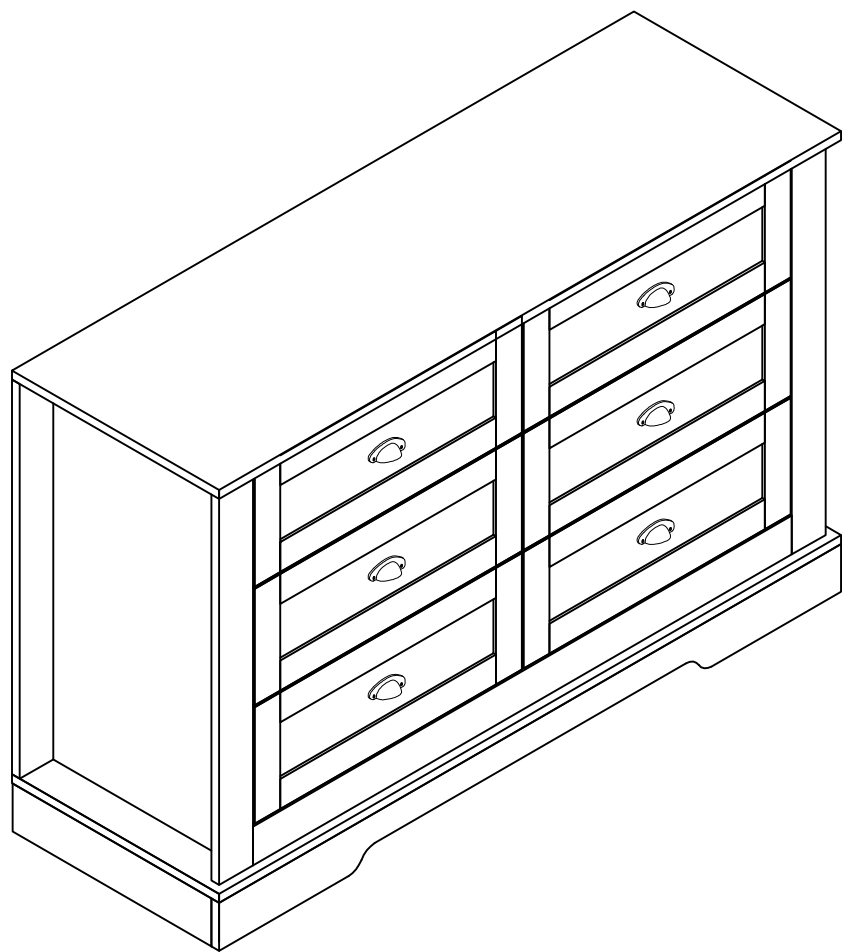
Proper PPEs (Personal Protection Equipment) are recommended to use during assembly and adjustment of the furniture.

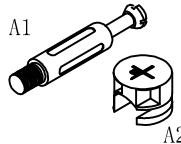
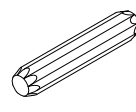
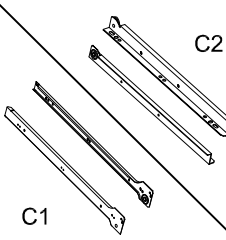

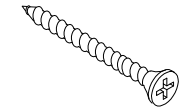
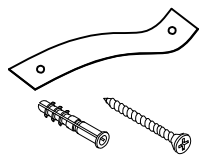

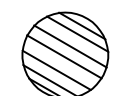



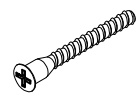
Gloves

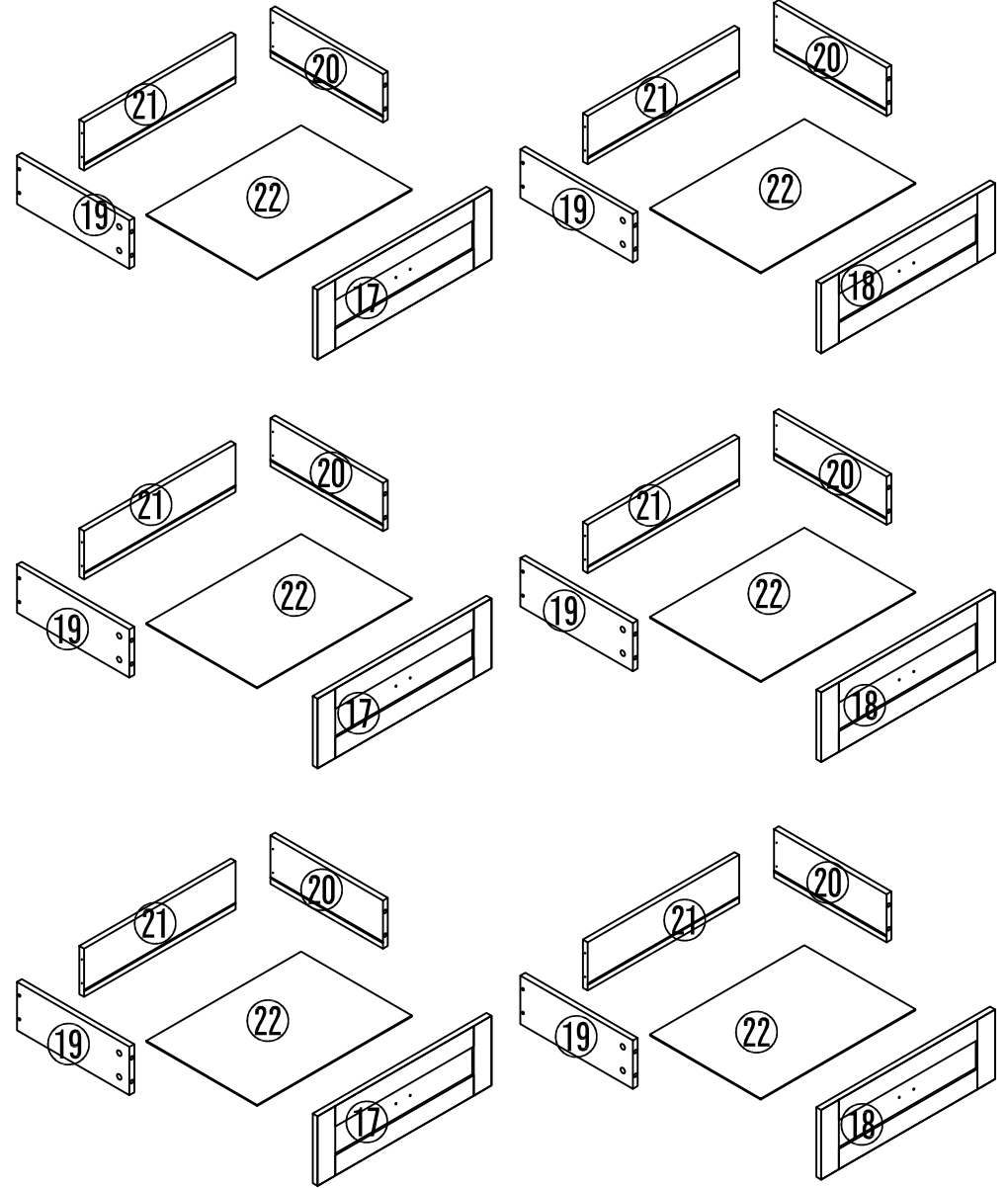
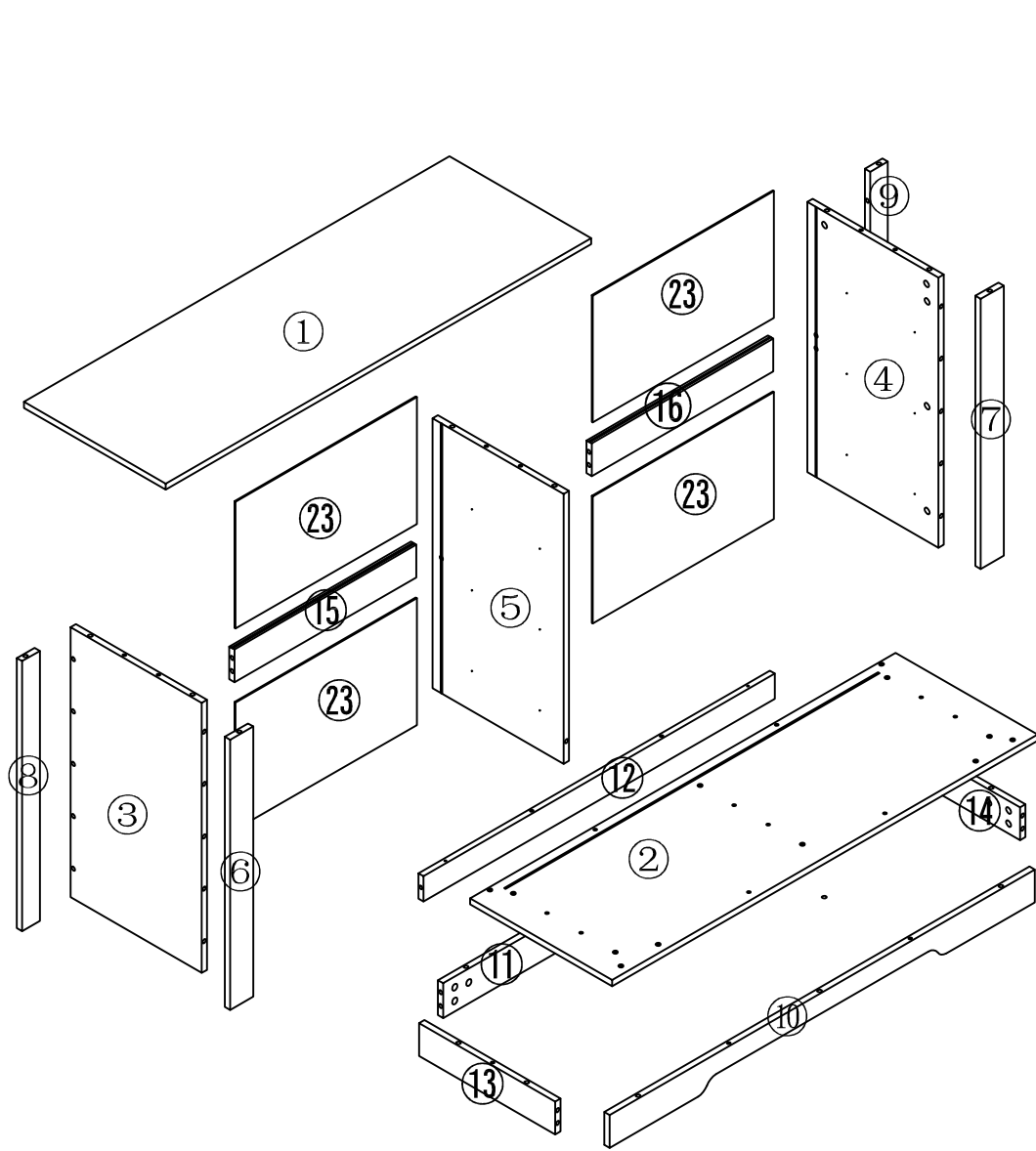


Safety
Goggles

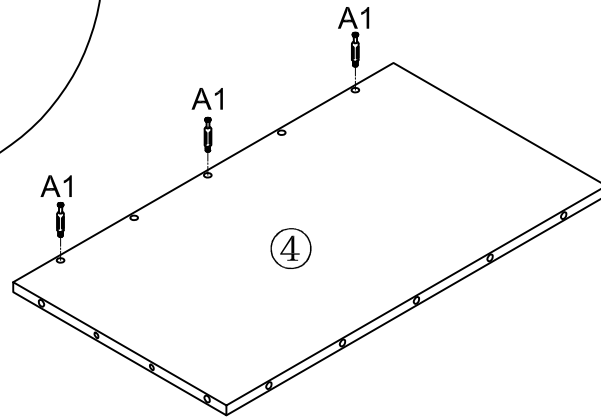
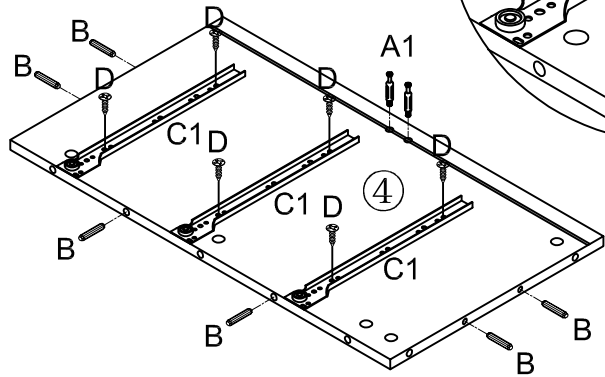
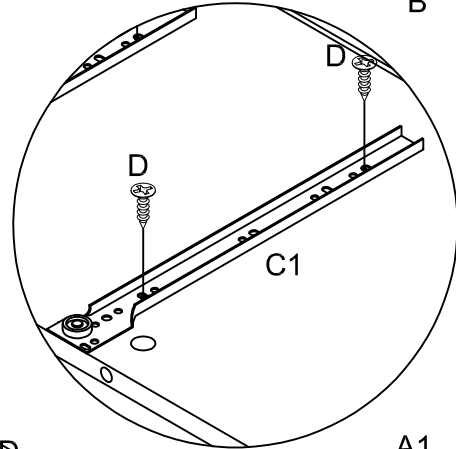
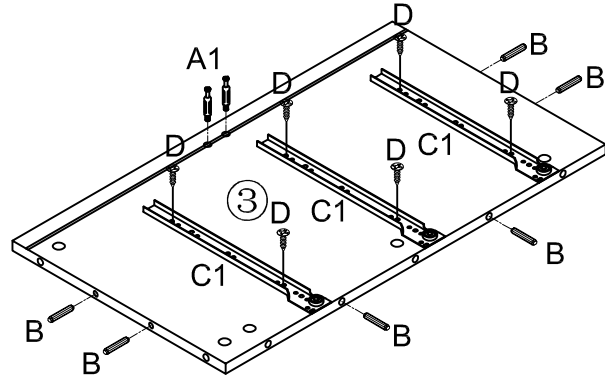
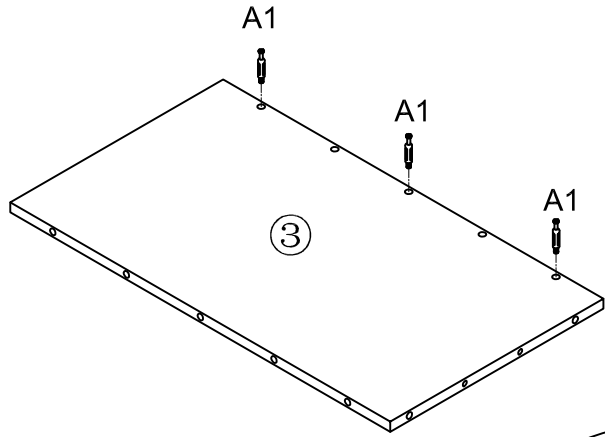



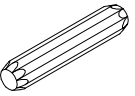




 <p>A1 A2</p>	 <p>Φ8*40</p>	 <p>C1 C2</p>	 <p>Φ3.5*14</p>
<p>A 74pcs</p>	<p>B 28pcs</p>	<p>C 6pcs</p>	<p>D 50pcs</p>
 <p>Φ3.5*35</p>			
<p>E 24pcs</p>	<p>F 2pcs</p>	<p>G 16pcs</p>	<p>H 86pcs</p>
			 <p>Φ7*50</p>
<p>I 6pcs</p>	<p>J 12pcs</p>	<p>K 12pcs</p>	<p>L 12pcs</p>

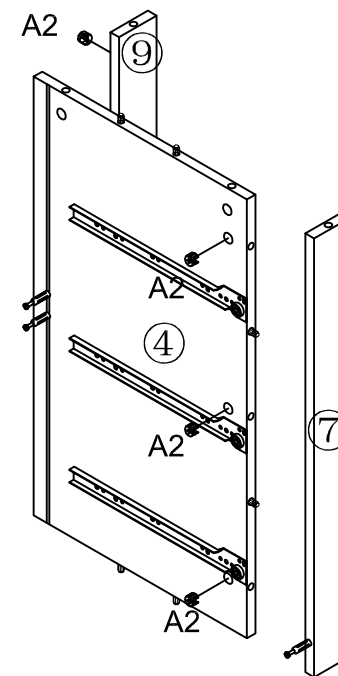
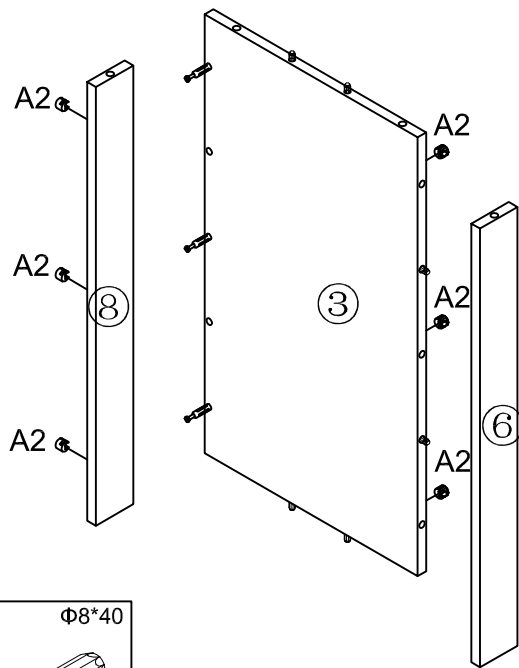
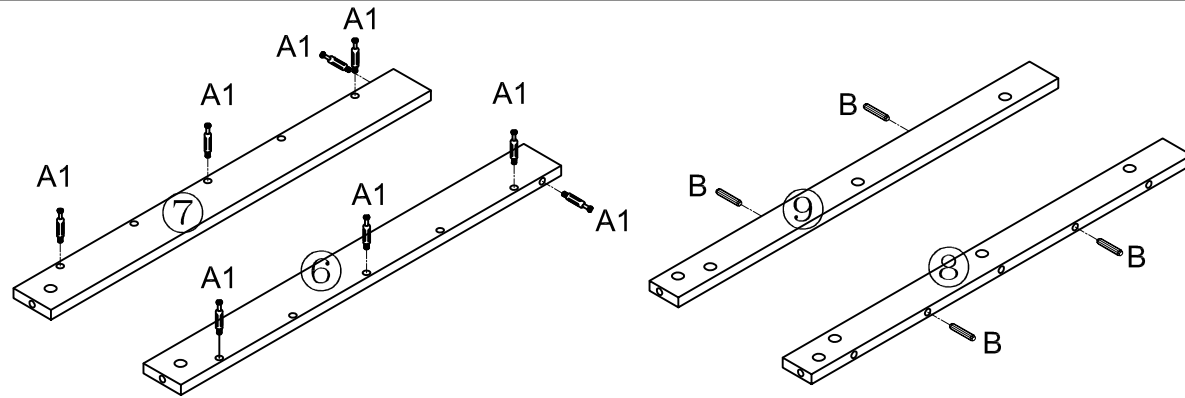




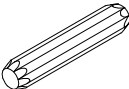
1



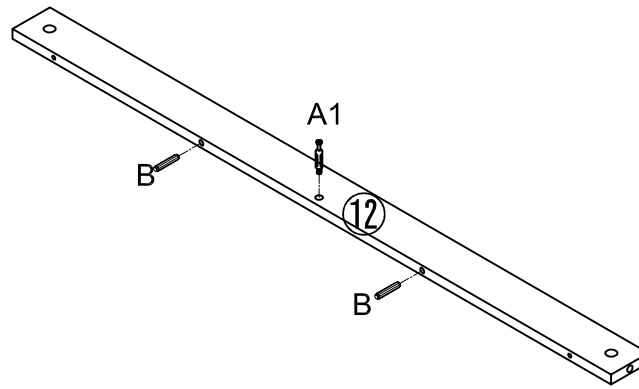
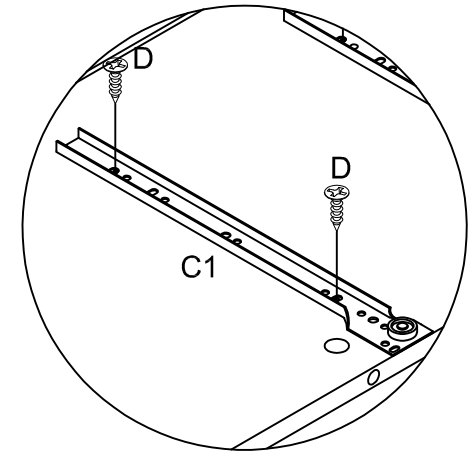
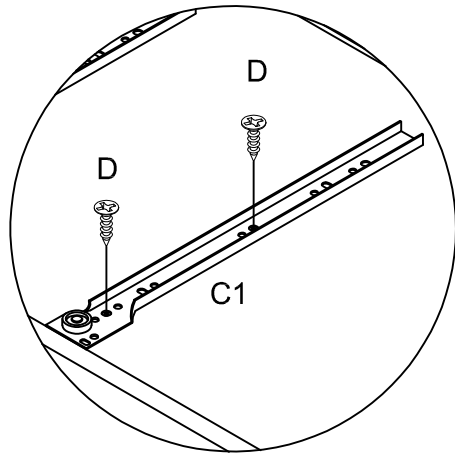
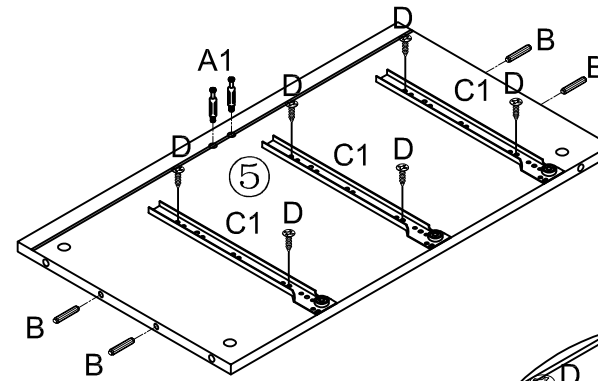
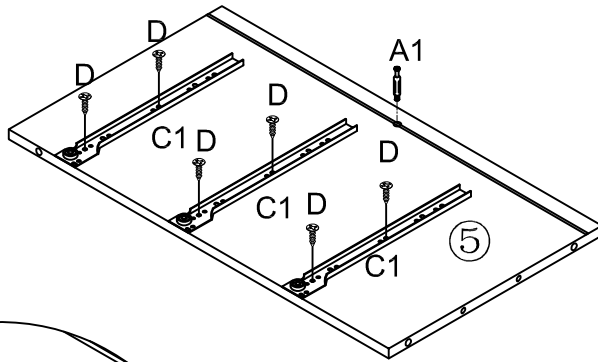
A1	B	Φ8*40	C1	D	Φ3.5*14
					
10pcs	12pcs		3pcs	12pcs	

2



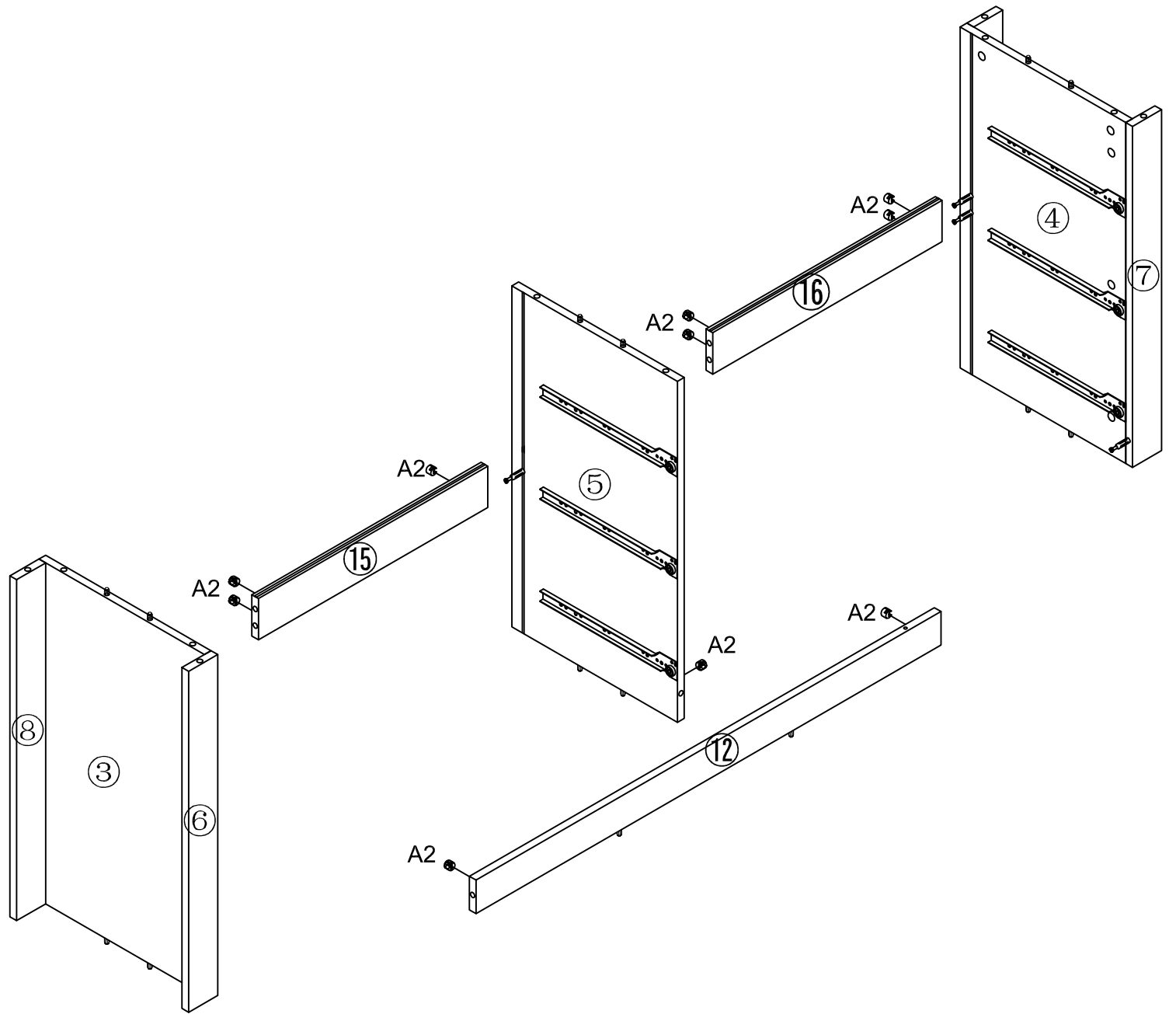
A1	A2	B	Φ8*40
			
8pcs	12pcs	4pcs	

3



<p>A1</p> <p>4pcs</p>	<p>B $\Phi 8 \times 40$</p> <p>6pcs</p>	<p>C1</p> <p>3pcs</p>	<p>D $\Phi 3.5 \times 14$</p> <p>12pcs</p>
-----------------------	--	-----------------------	---

4

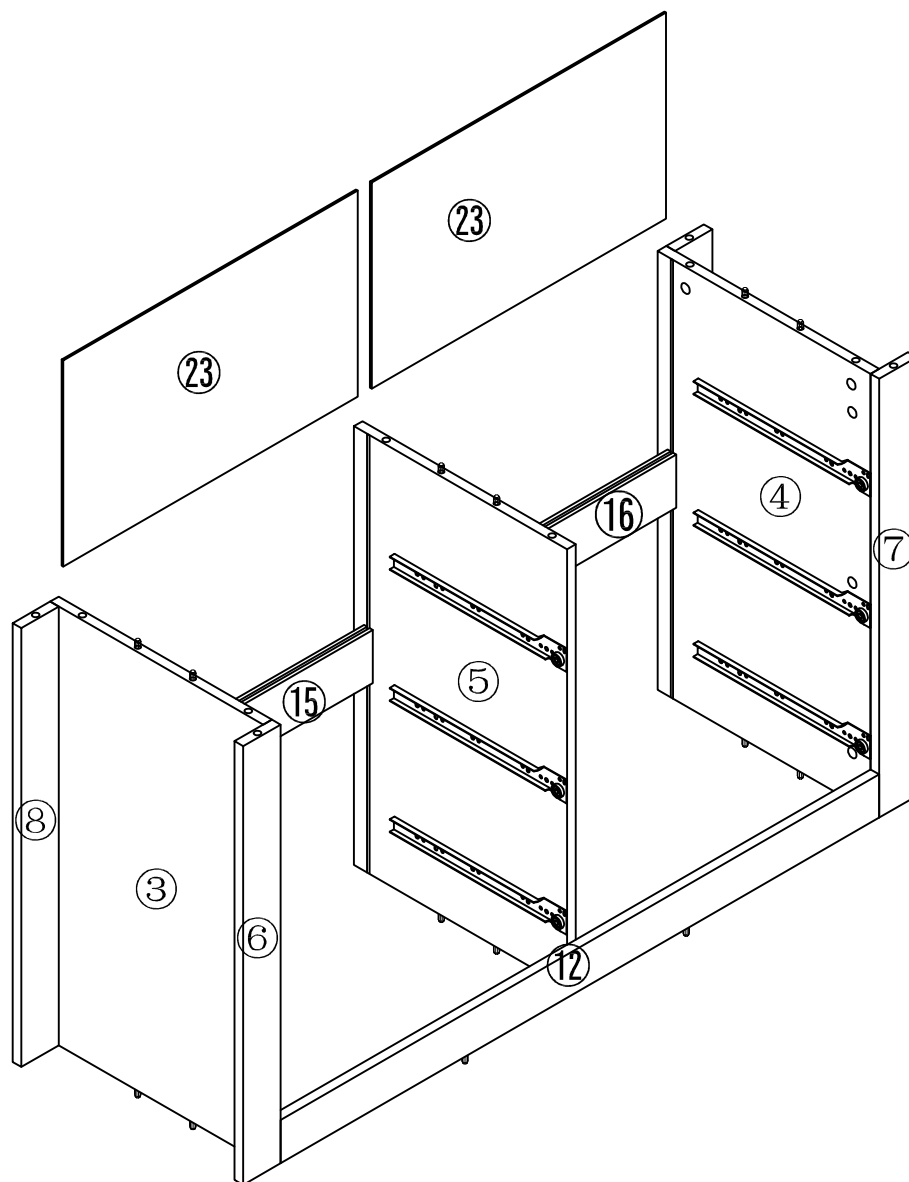


A2

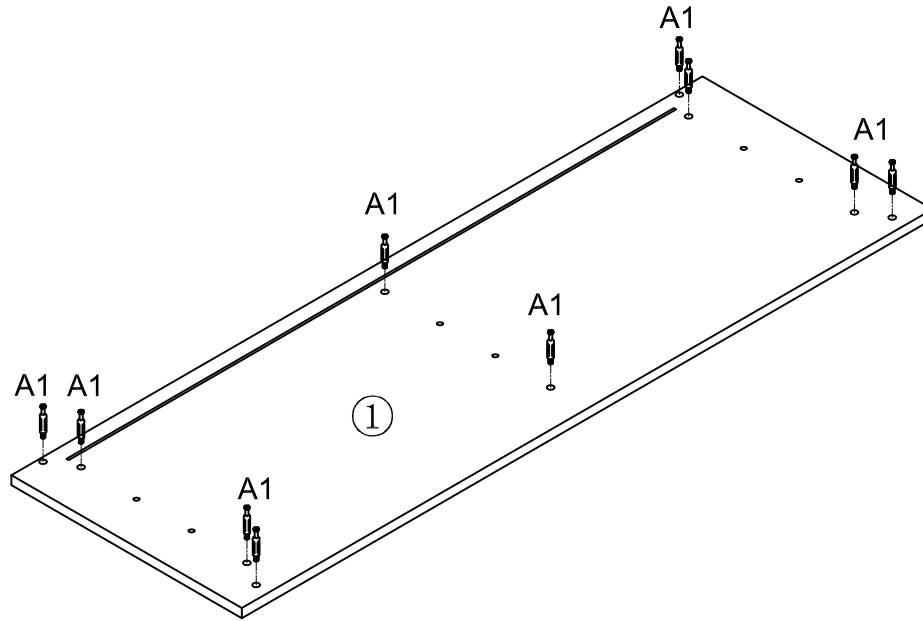


10pcs

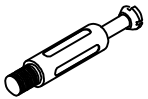
5



6

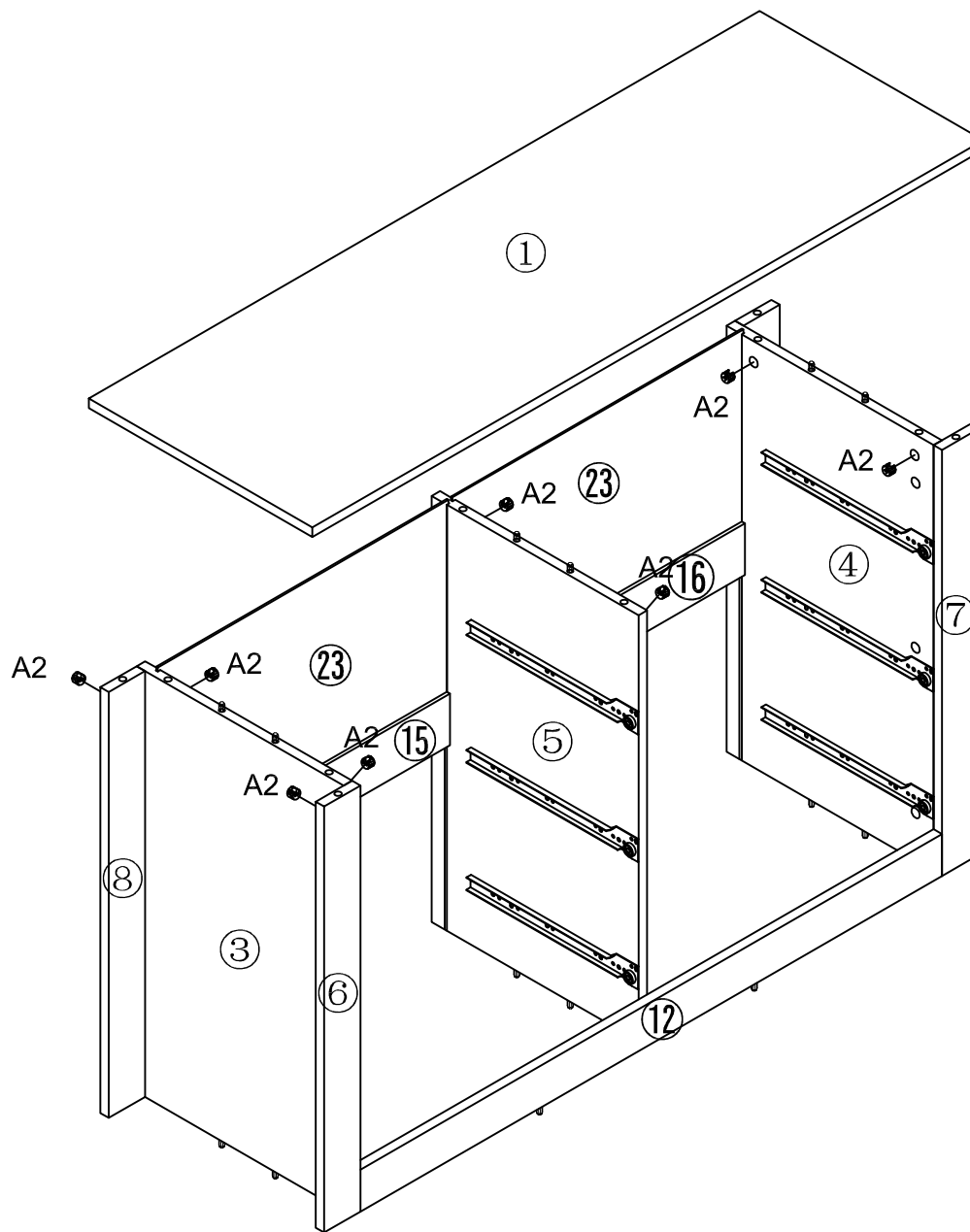


A1



10pcs

7

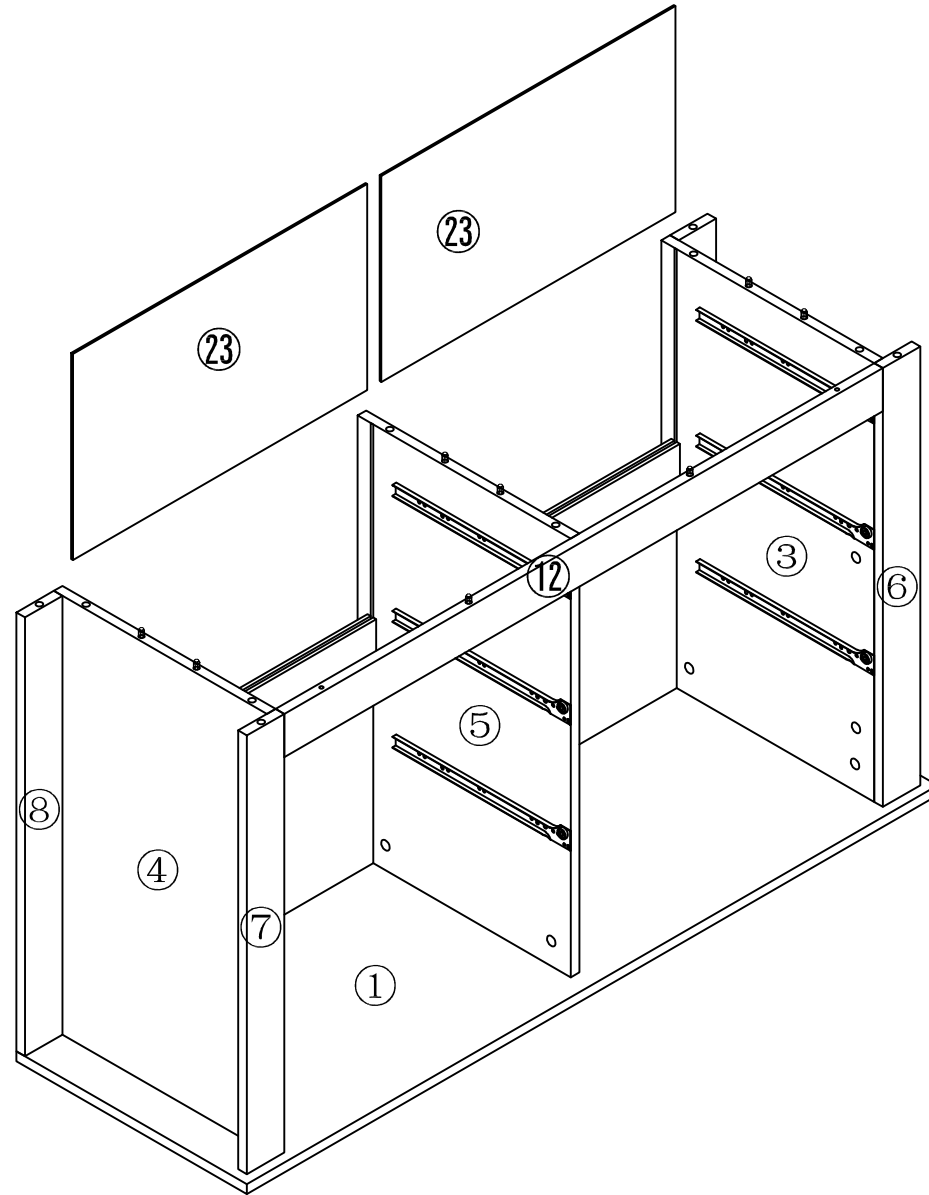


A2

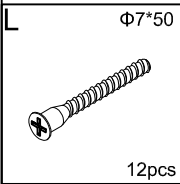
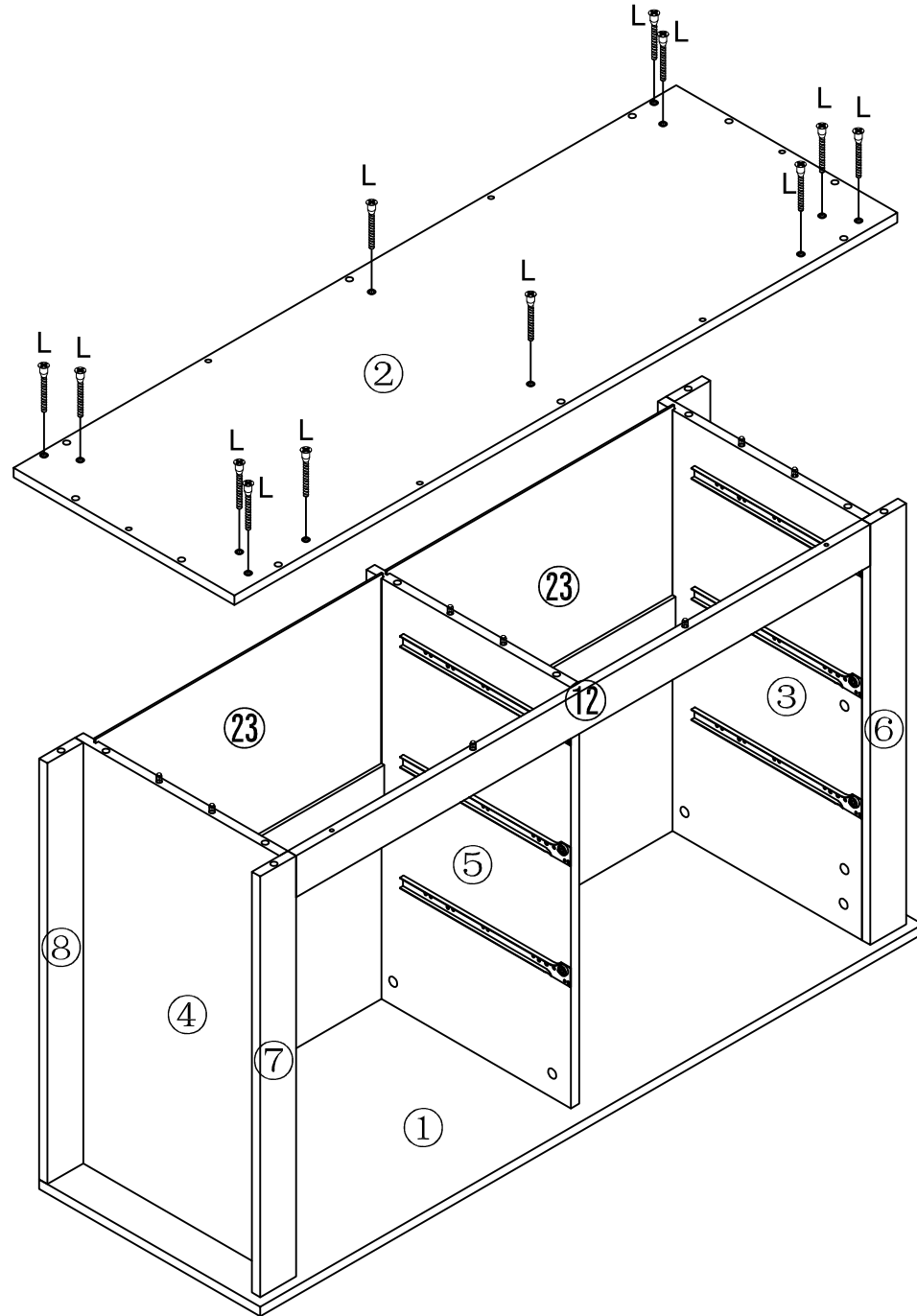


10pcs

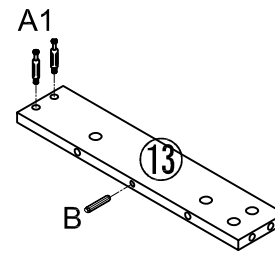
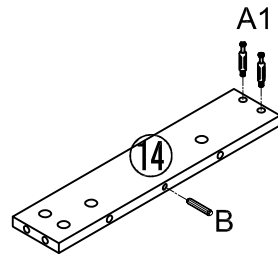
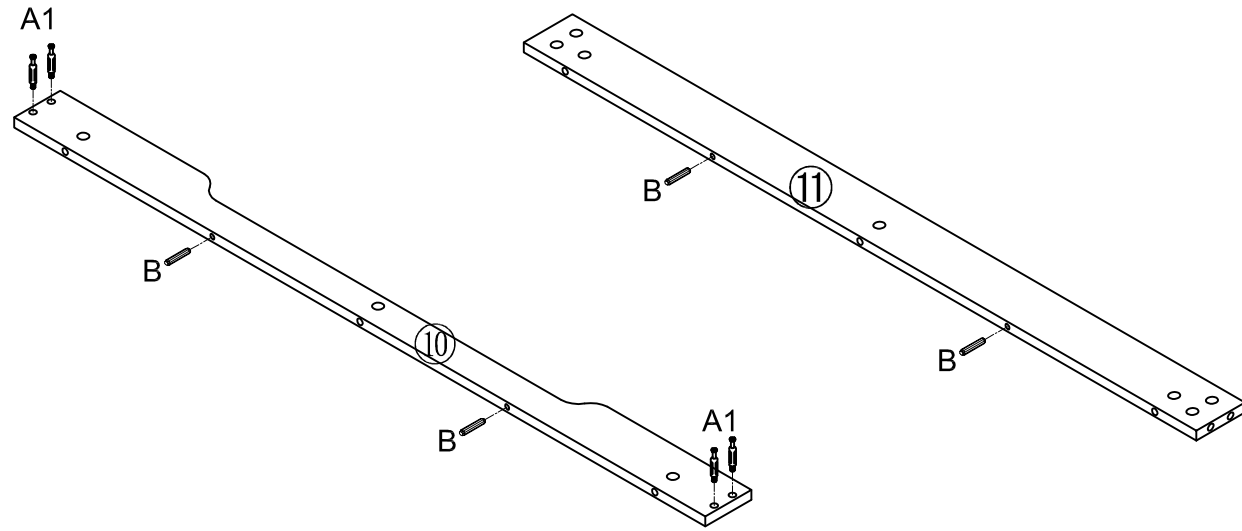
8


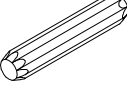


9

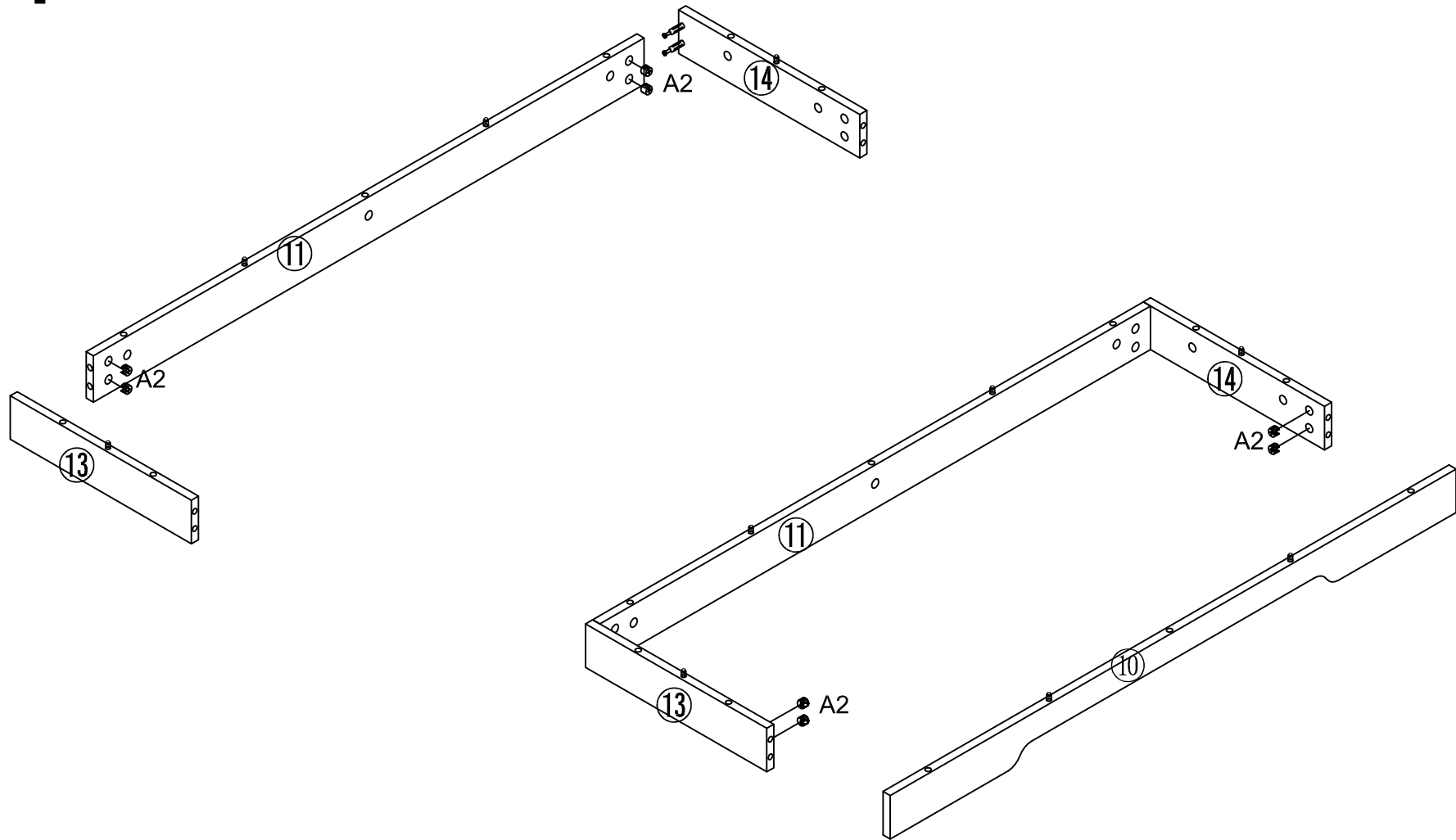


10



A1	B	$\Phi 8 \times 40$
		
8pcs	6pcs	

11

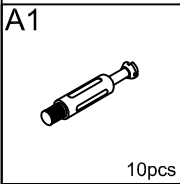
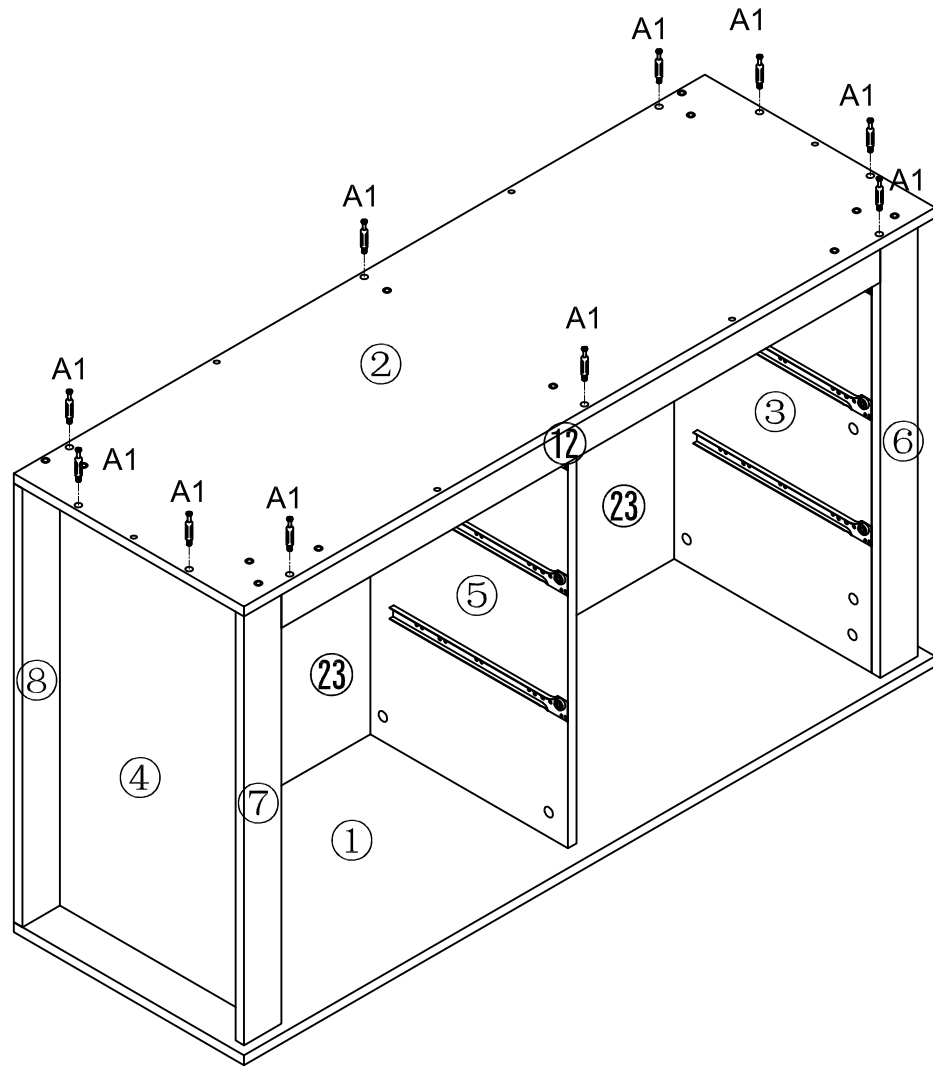


A2

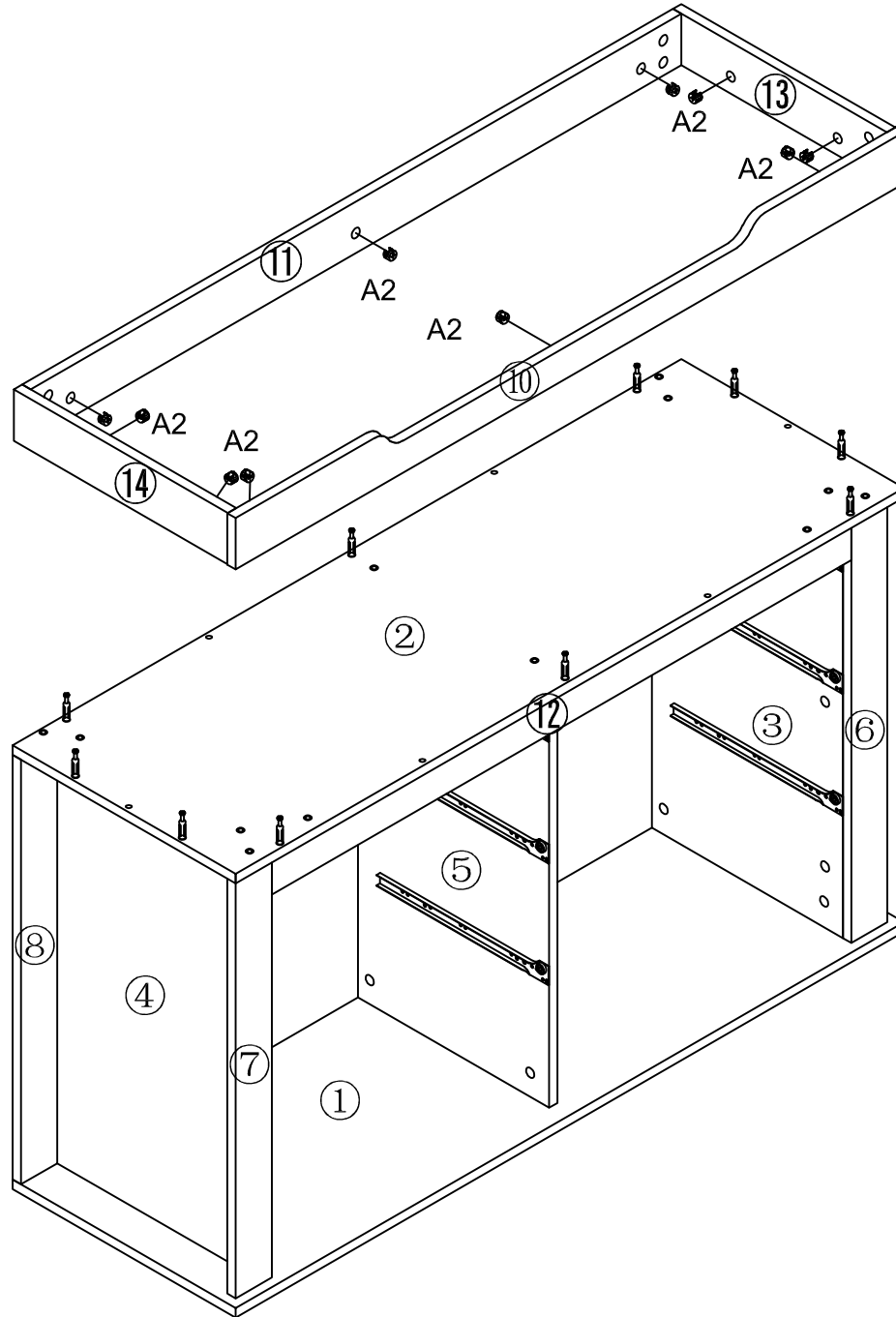


8pcs

12



12

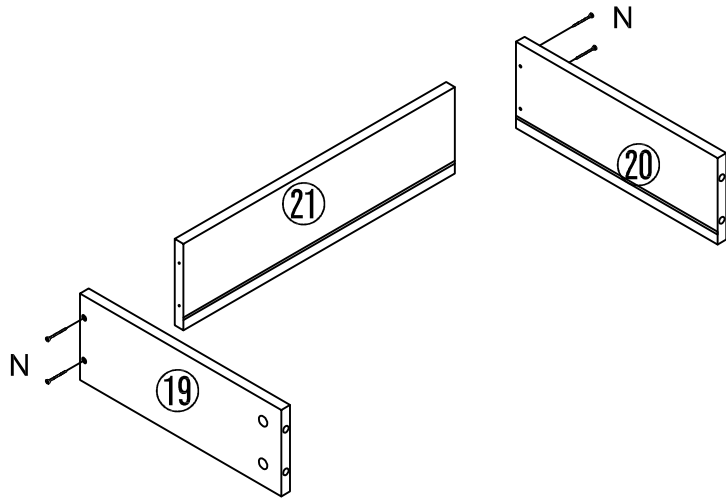


A2

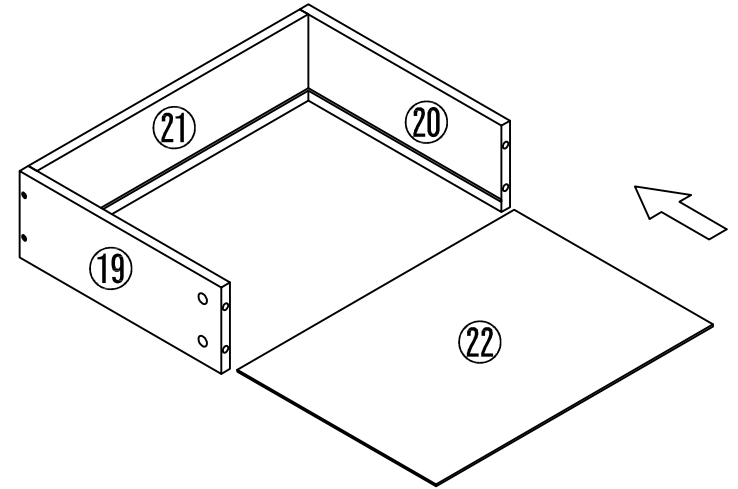


10pcs

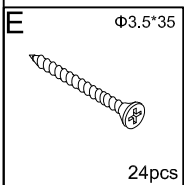
13



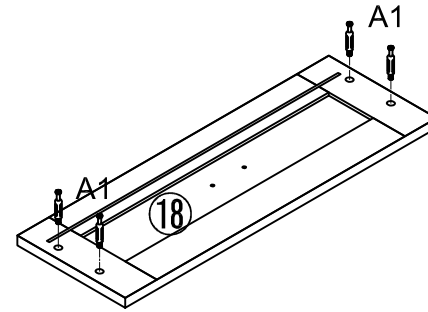
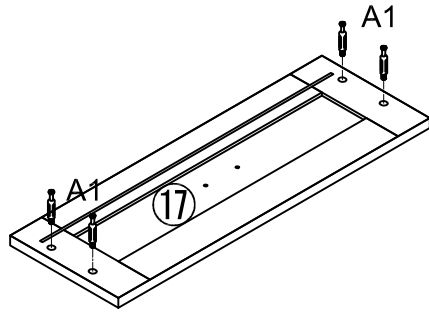
X6



X6



14



X3

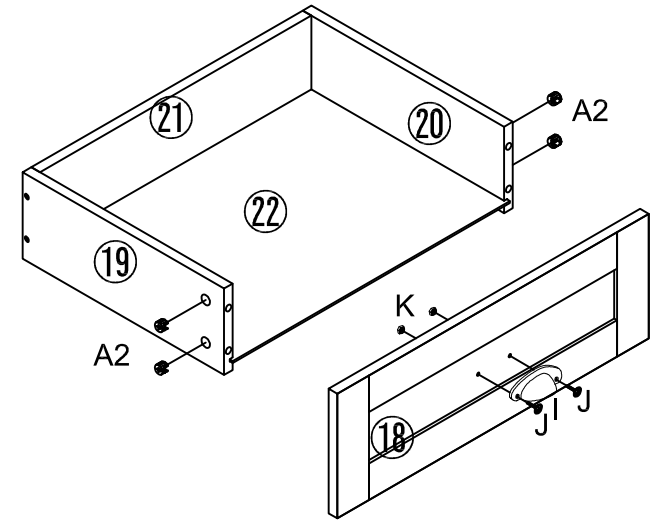
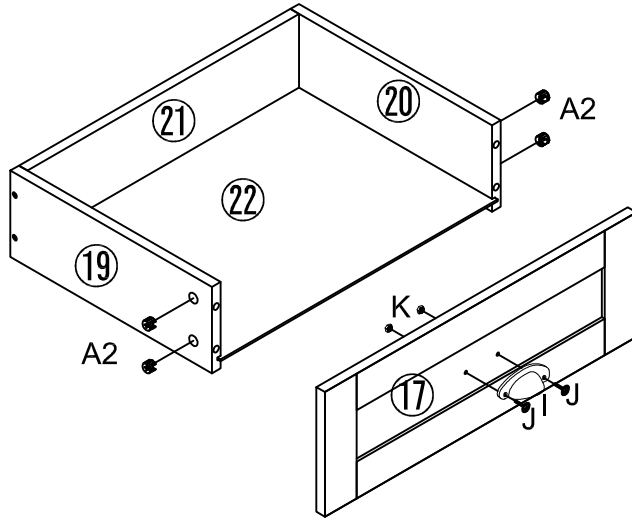
X3

A1




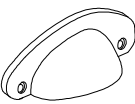

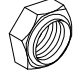
24pcs

15

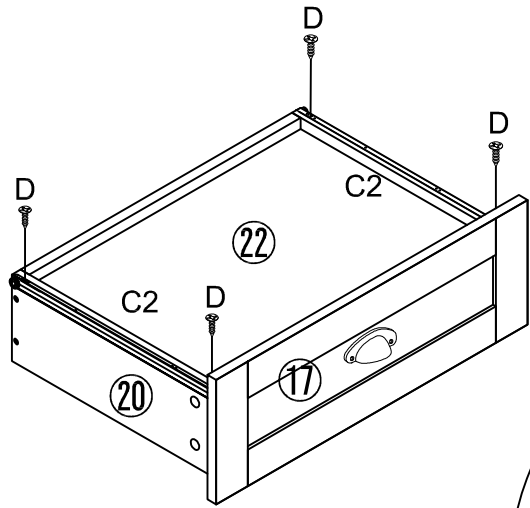


X3

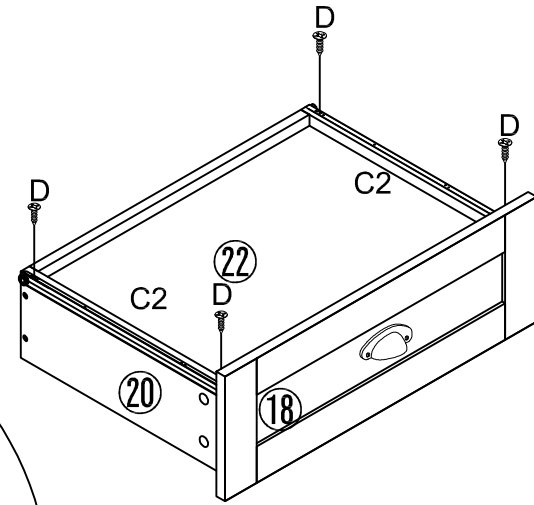
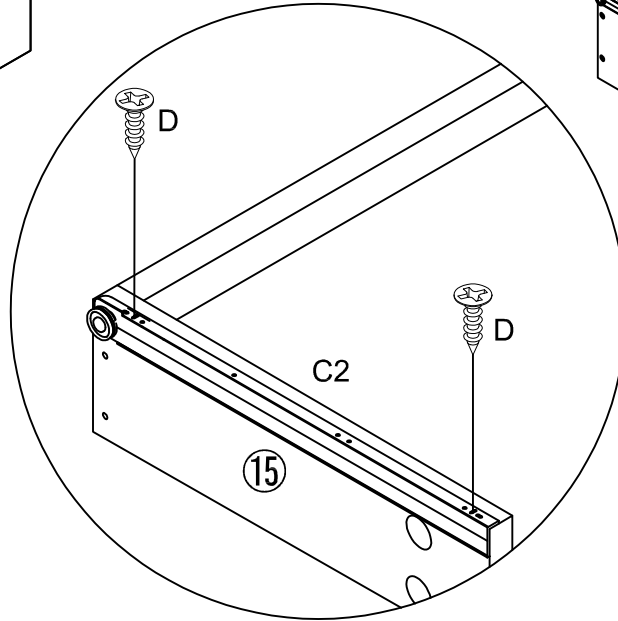
X3

<p>A2</p>  <p>24pcs</p>	<p>I</p>  <p>6pcs</p>	<p>J</p>  <p>12pcs</p>	<p>K</p>  <p>12pcs</p>
---	--	---	---

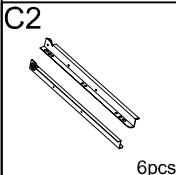
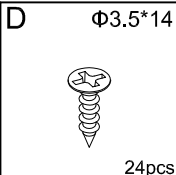
16



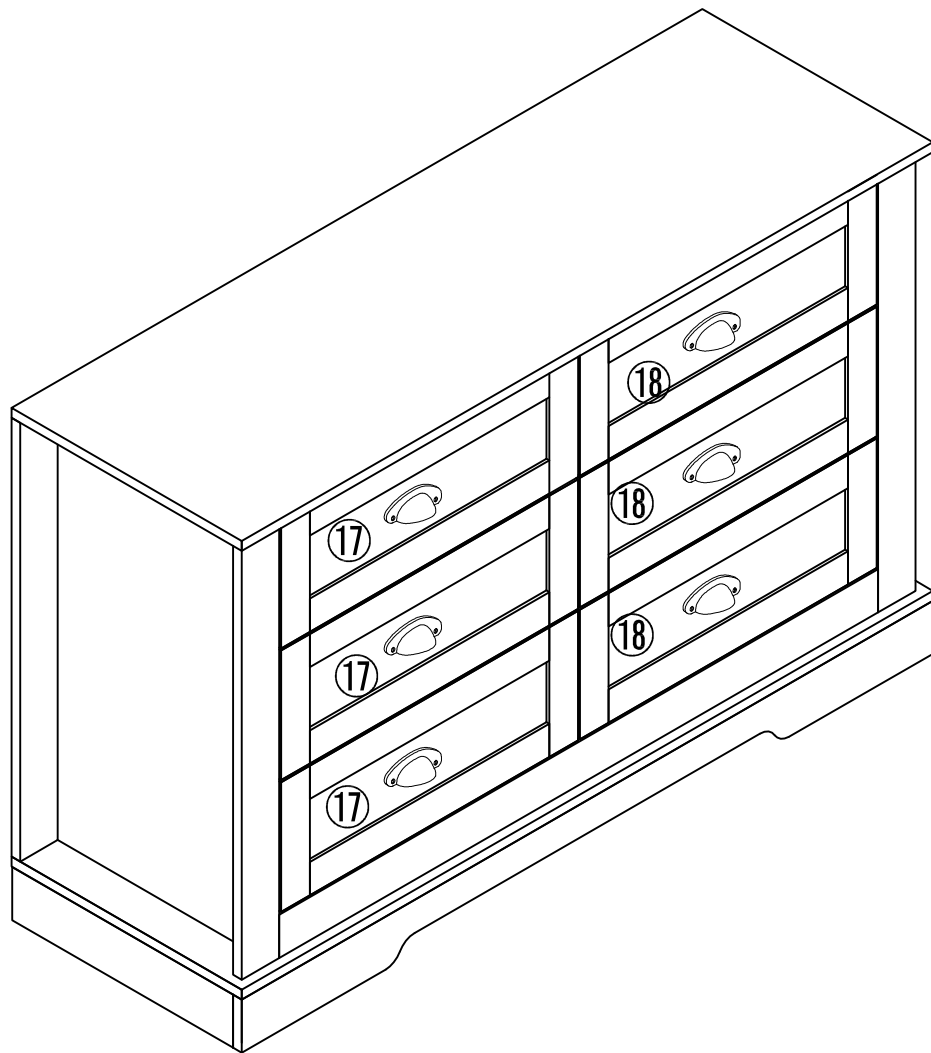
X3



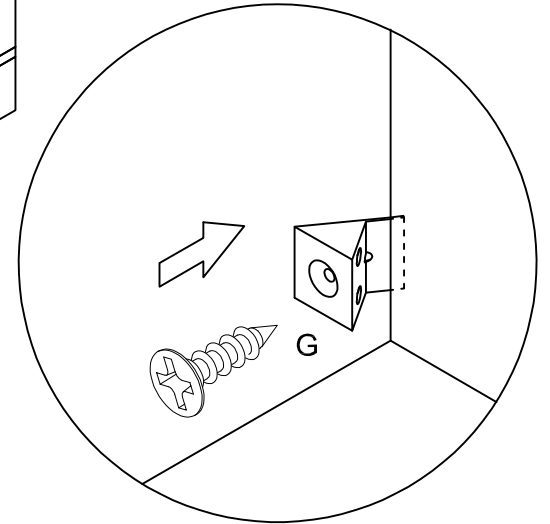
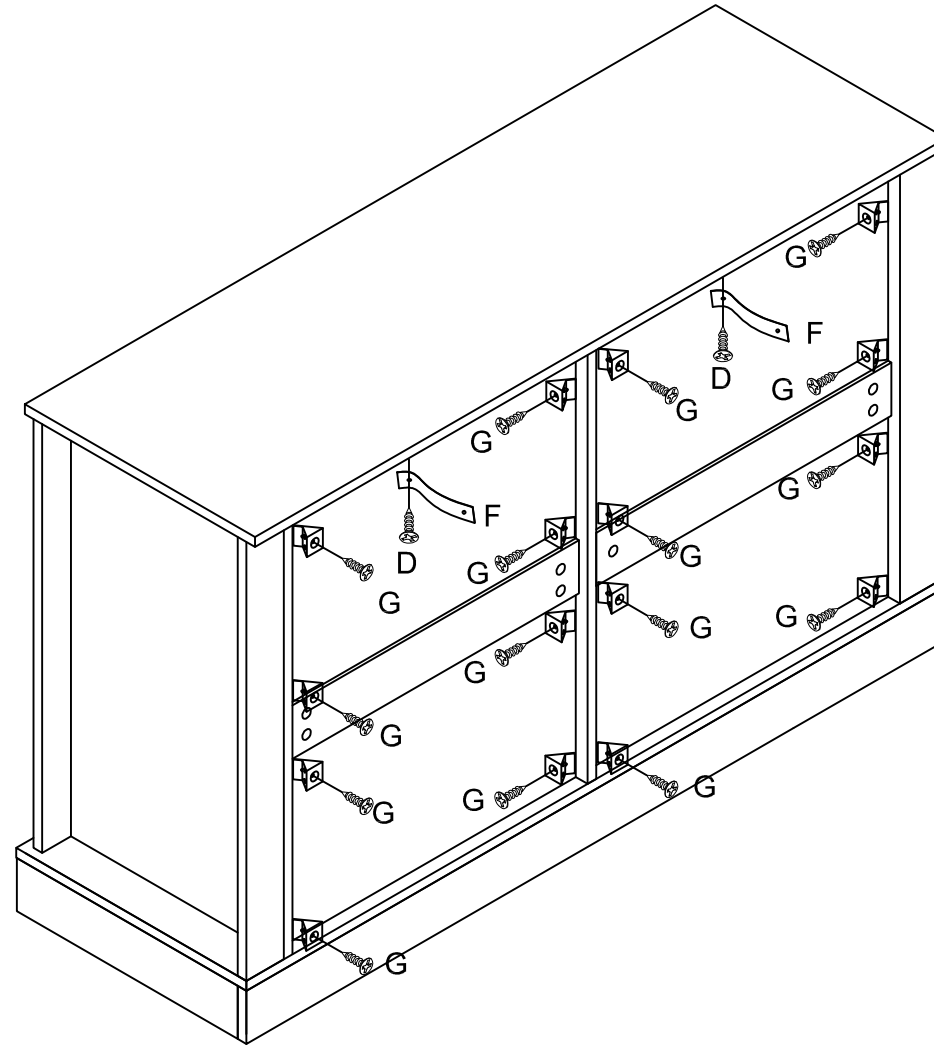
X3

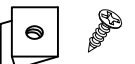


 <p>C2</p> <p>6pcs</p>	 <p>D</p> <p>Φ3.5*14</p> <p>24pcs</p>
--	--

17



18



G  16pcs	F  2pcs	D $\Phi 3.5 \times 14$  2pcs
---	---	--

19

Important Note: Young children can be seriously injured by tipping furniture. You must install the tipping restraint hardware (included) with the unit to prevent the unit from tipping, causing any accidents or damage. The tipping restraints are intended only as a deterrent, they are not substitute for proper adult supervision. The tipping restraints are not earthquake restraints. If you wish to add the extra security of earthquake restraints, they must be purchased and installed separately.

