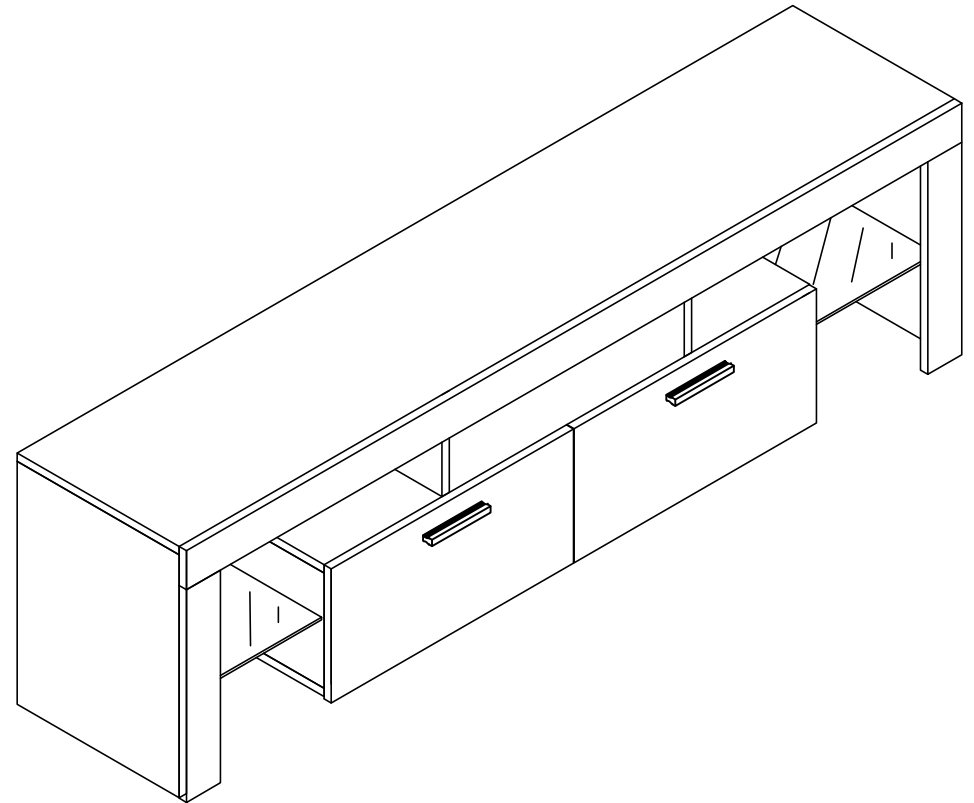


Assembly Instructions



Thank you for your purchase.

please follow the instructions below for correct assembly.

▲ For higher efficiency, we recommend to use a power drill; the power drill should be set on the low speed to avoid screw stripping.

▲ CAUTION

This package contains small parts and hardware; keep it from children to avoid accidental swallowing

Disclaimer

All information provided in this manual, including but not limited to notes, pictures, instructions, schematic diagrams, assembly procedures and safety precautions, is in good faith and every reasonable effort has been made to ensure that the provided information is proper, correct and accurate to the best of the manufacturer's knowledge.

Under no circumstance shall the manufacturers, the distributors, the sales agents and the associates, contractors and employees of the above organizations be held liable for any direct, indirect, consequential or incidental losses, damages, injuries or accidents of any kind incurred as a result of the assembly, adjustment and use of the furniture contained in this box. By reading this manual and decide to proceed, you are deemed to agree to accept full personal responsibility and liability for any possible personal injury or damage you suffer from your actions, directly or indirectly, arising out of or in connections with the assembly, adjustment and use of the furniture.

Caution



Personal injury can occur during the assembly and adjustment of the furniture contained in this box. You will be solely responsible for your personal safety and potential injuries.

PPE Recommendation

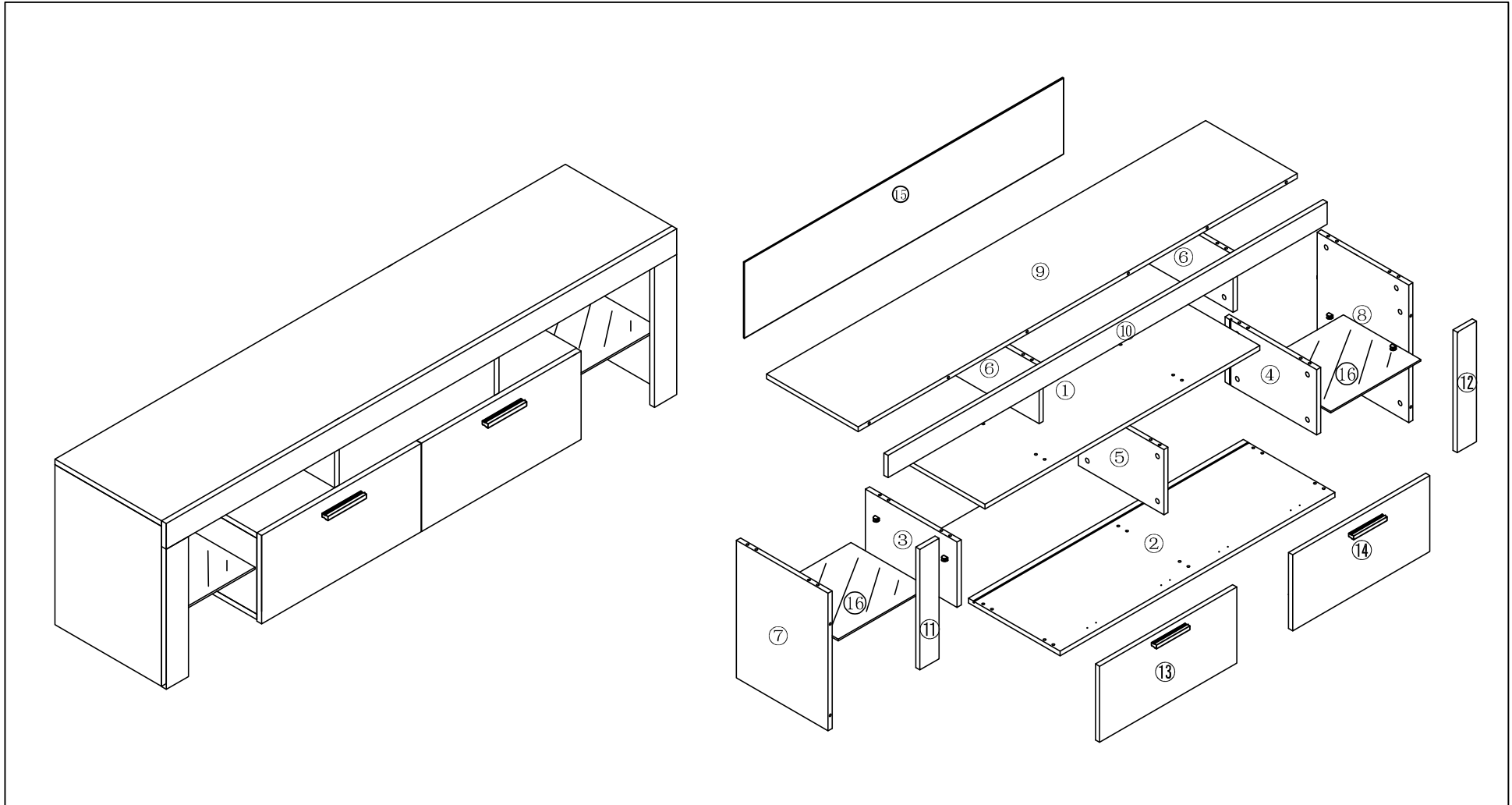
Proper PPEs (Personal Protection Equipment) are recommended to use during assembly and adjustment of the furniture.

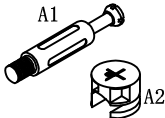
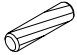
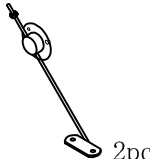
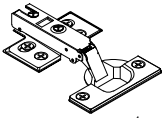

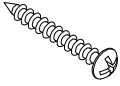
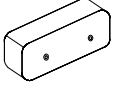
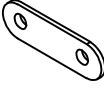
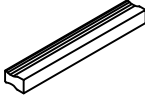


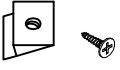

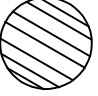

Gloves

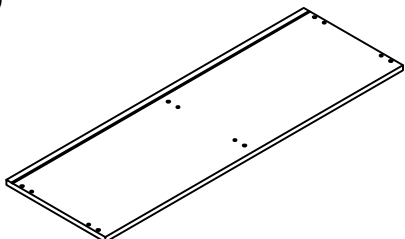
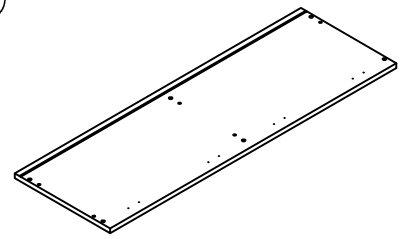
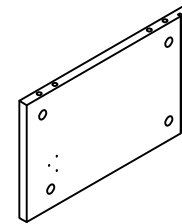
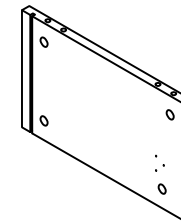
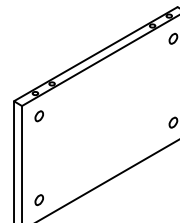
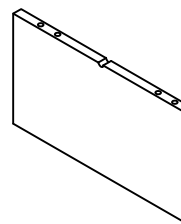
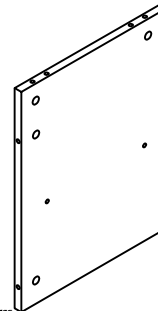
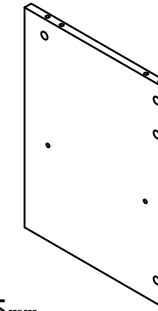
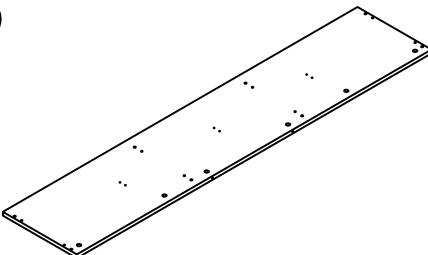
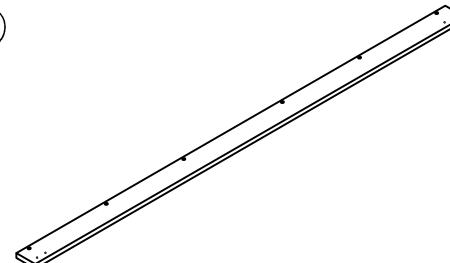
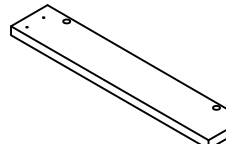
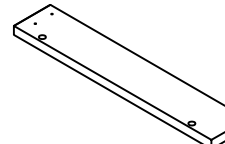
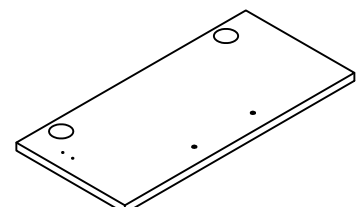
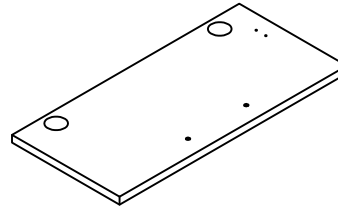
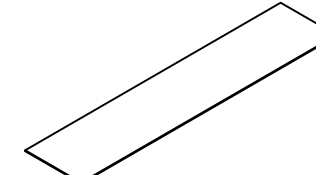
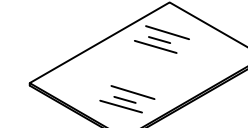


Safety
Goggles

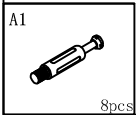
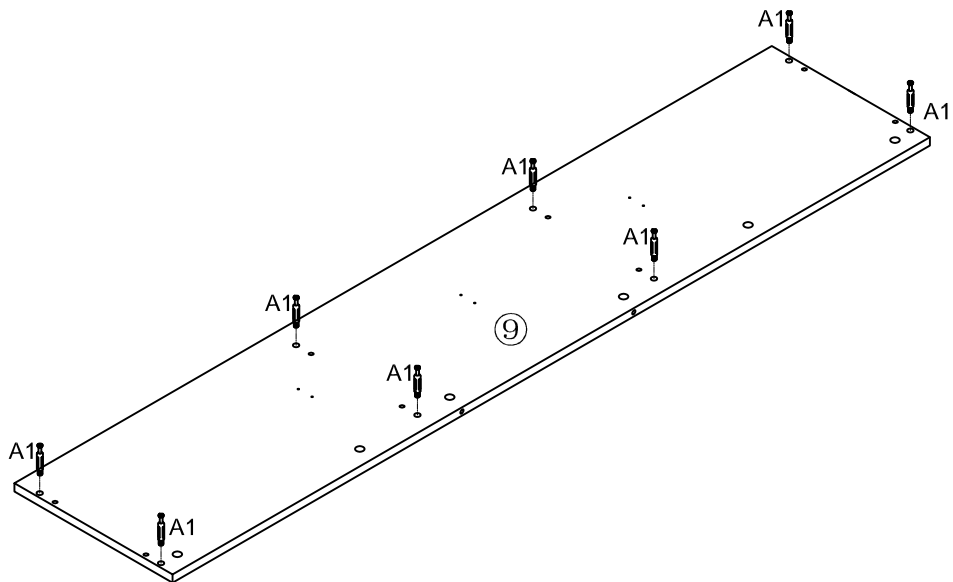




| | | | | | | | | |
|---|--|--|--|--|--|--|--|--|
| <p>A</p>  <p>A1 A2 34pcs</p> | <p>B</p> <p>Φ8*40</p>  <p>24pcs</p> | <p>C</p>  <p>2pcs</p> | <p>D</p>  <p>4pcs</p> | <p>E</p> <p>Φ3.5*14</p>  <p>42pcs</p> | <p>F</p> <p>Φ3.5*25</p>  <p>10pcs</p> | <p>G</p>  <p>5pcs</p> | <p>H</p>  <p>4pcs</p> | <p>I</p>  <p>2pcs</p> |
| <p>J</p>  <p>4pcs</p> | <p>K</p>  <p>8pcs</p> | <p>L</p>  <p>8pcs</p> | <p>M</p>  <p>USB-LED 1pcs</p> | <p>N</p>  <p>34pcs</p> | <p>O</p>  <p>X3 Screw X6 3pcs</p> | | | |

| | | | |
|---|--|--|--|
| <p>①</p>  <p>1000*335*15mm 1pcs</p> | <p>②</p>  <p>1000*335*15mm 1pcs</p> | <p>③</p>  <p>206*335*15mm 1pcs</p> | <p>④</p>  <p>206*335*15mm 1pcs</p> |
| <p>⑤</p>  <p>206*316*15mm 1pcs</p> | <p>⑥</p>  <p>182*335*15mm 2pcs</p> | <p>⑦</p>  <p>438*335*15mm 1pcs</p> | <p>⑧</p>  <p>438*335*15mm 1pcs</p> |
| <p>⑨</p>  <p>1600*335*15mm 1pcs</p> | <p>⑩</p>  <p>1601*70*15mm 1pcs</p> | <p>⑪</p>  <p>384*70*15mm 1pcs</p> | <p>⑫</p>  <p>384*70*15mm 1pcs</p> |
| <p>⑬</p>  <p>499*236*15mm 1pcs</p> | <p>⑭</p>  <p>499*236*15mm 1pcs</p> | <p>⑮</p>  <p>977*215*3mm 1pcs</p> | <p>⑯</p>  <p>278*330*4mm 2pcs</p> |

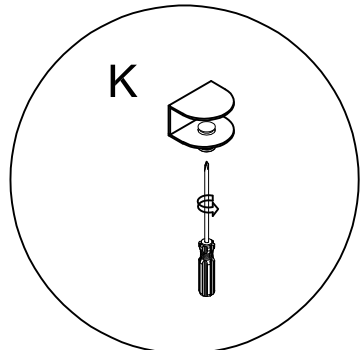
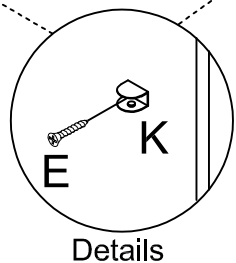
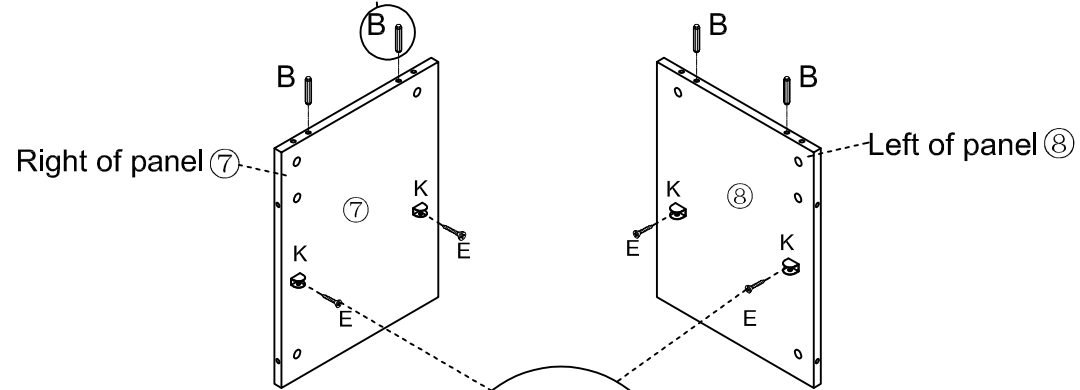
1



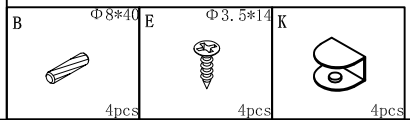
2

Note: Please lay Board ⑦ and Board ⑧ flat when installing hardware K.

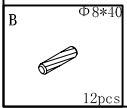
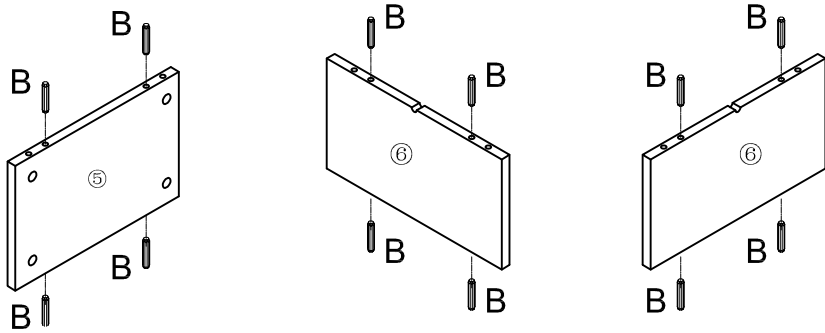
Please hand-insert the pegs all the way in.



The glass can be fixed or loosened by turning a white plastic screw

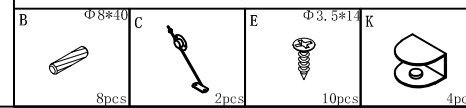
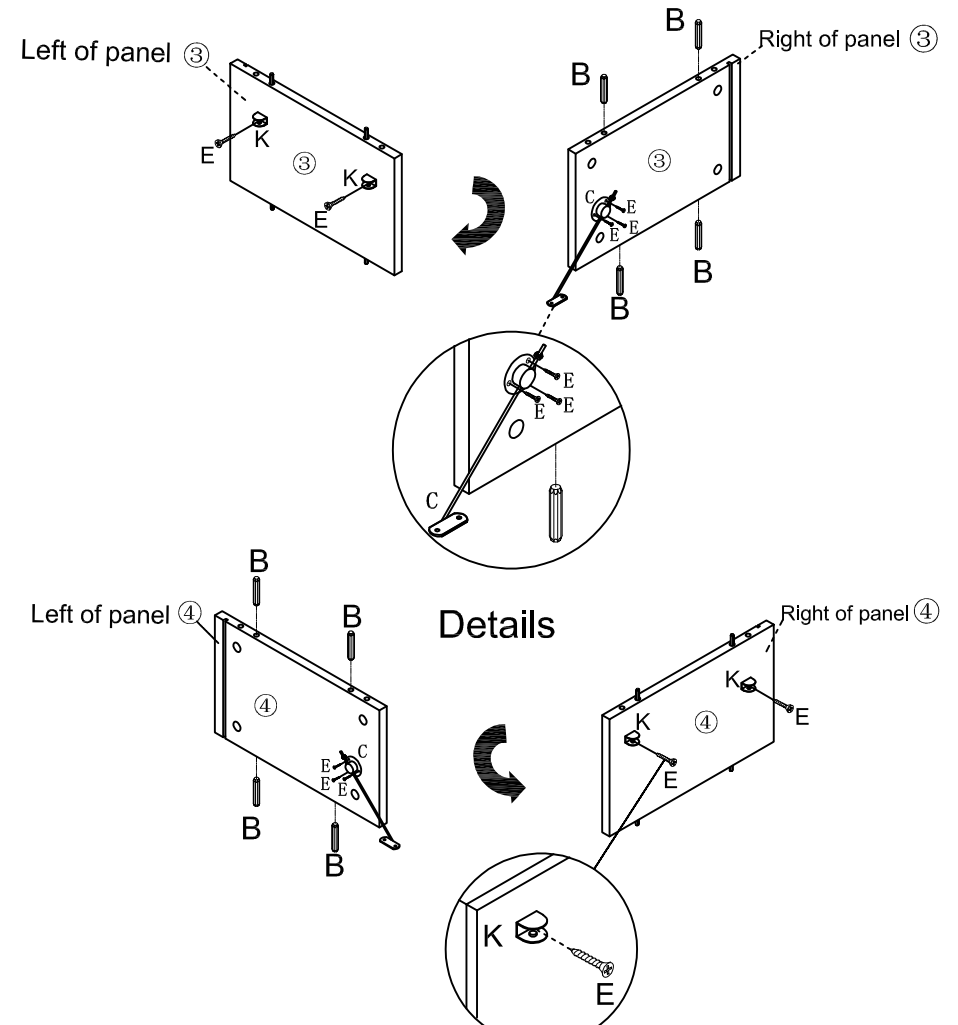


3

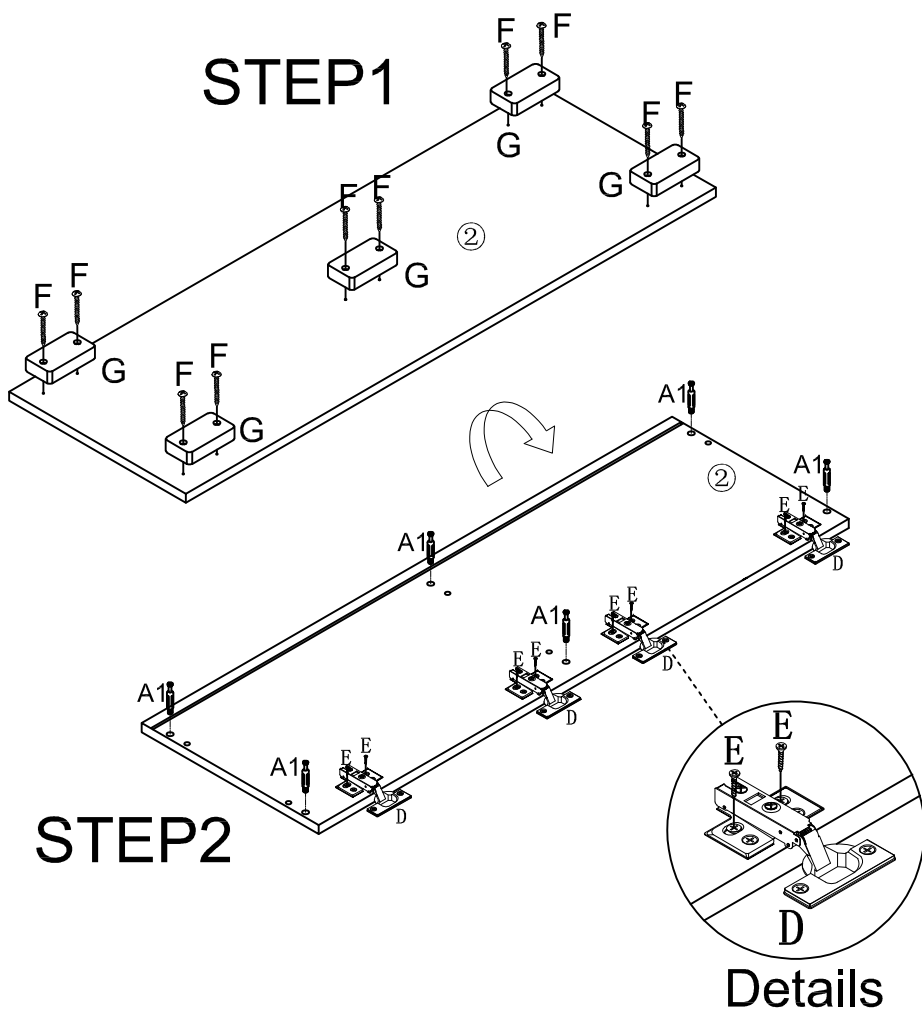



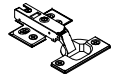


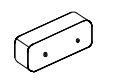
4

Note: Please pay attention to the numbering of Board ③ and Board ④.

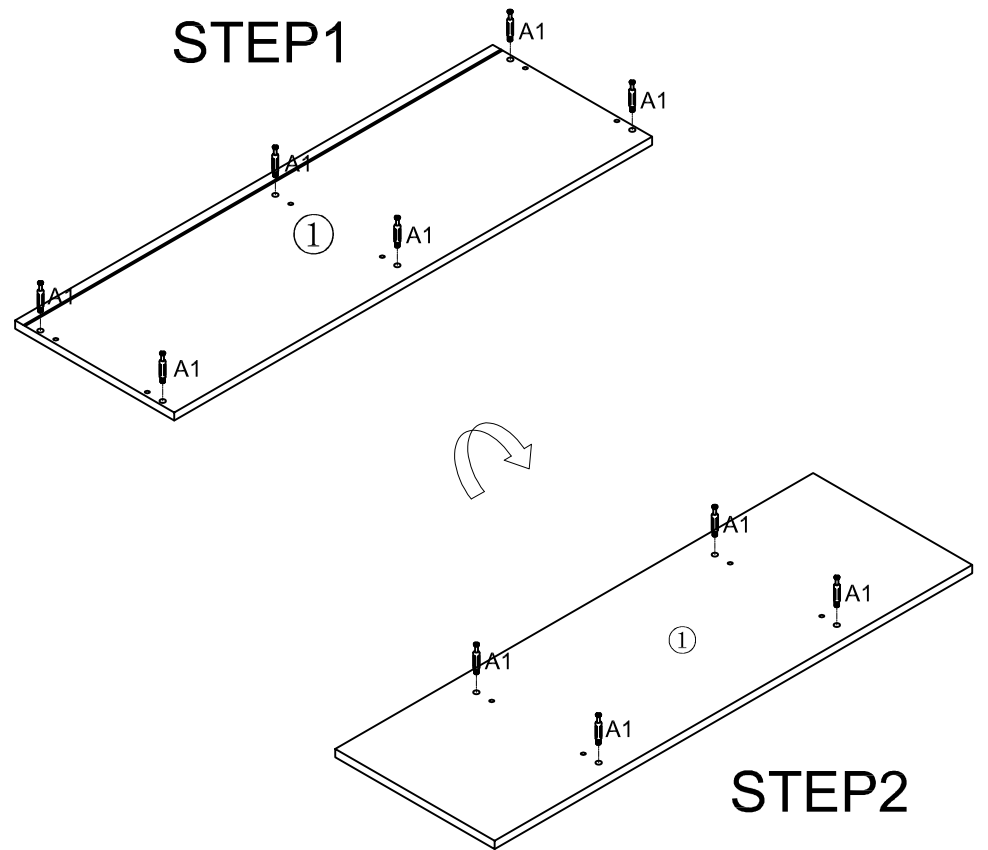



5



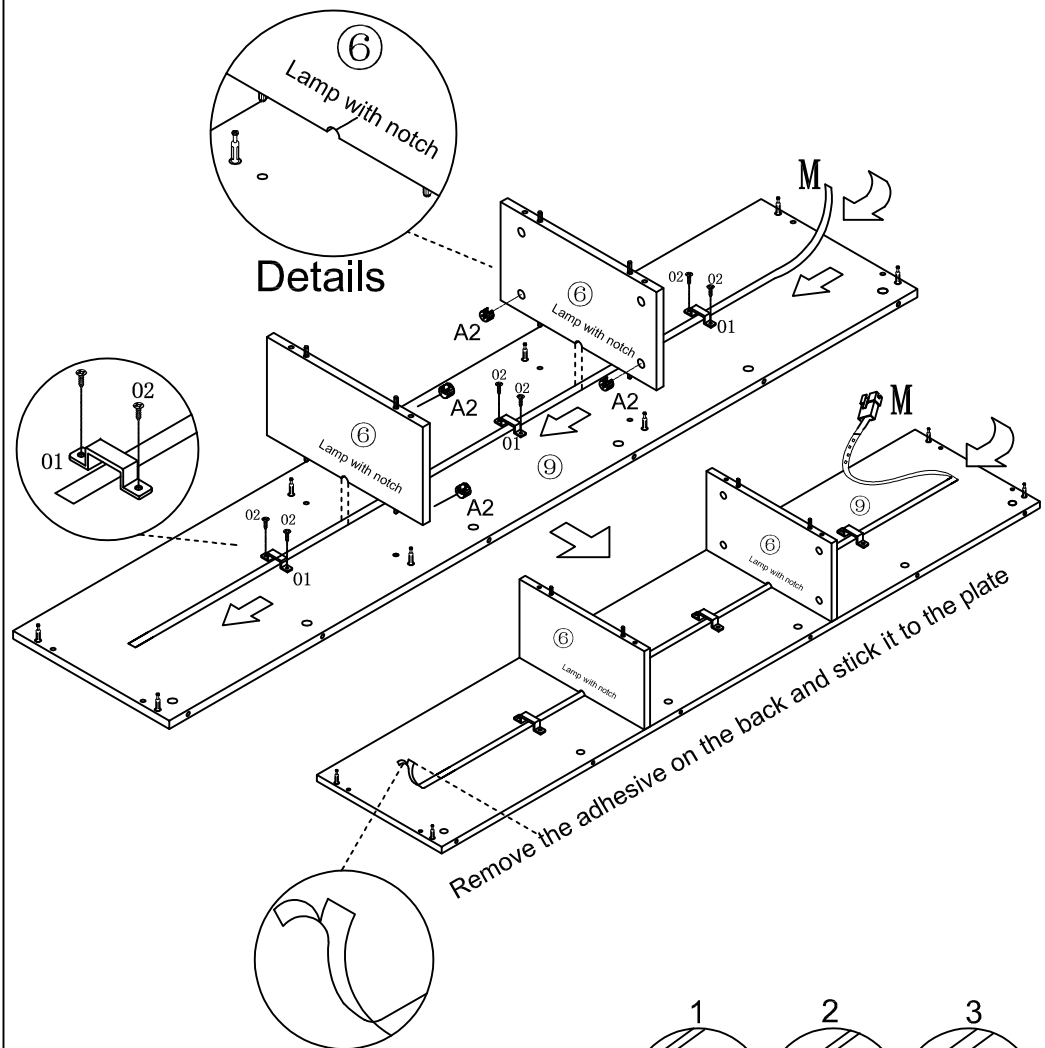
| | | | | |
|--|--|---|--|--|
|  A1 6pcs |  D 4pcs |  E $\Phi 3.5 \times 14$ 8pcs |  F $\Phi 3.5 \times 25$ 10pcs |  G 5pcs |
|--|--|---|--|--|



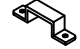
6

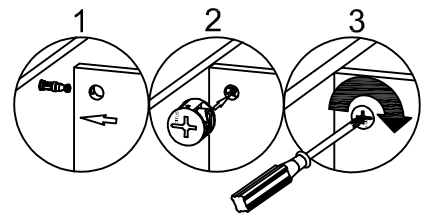


| |
|--|
|  A1 10pcs |
|--|

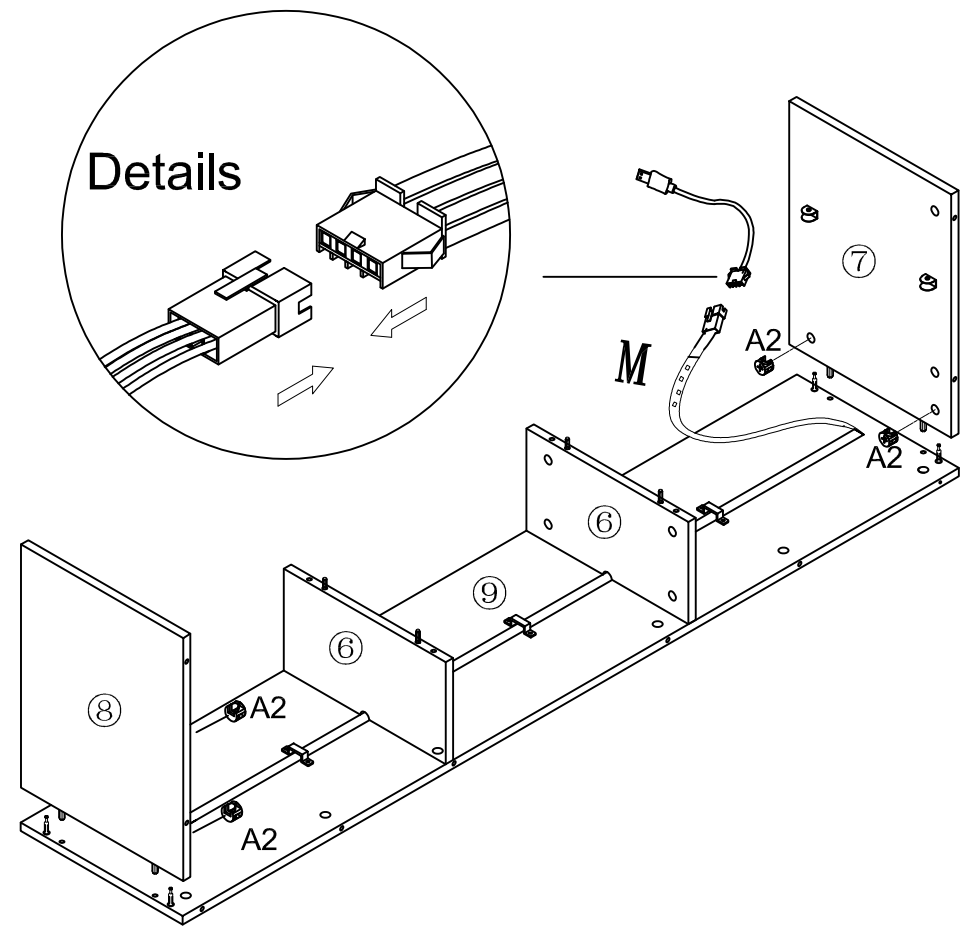
7 Note: Please refer to the location of the wall outlet to lay out the light strip at the convenient direction.




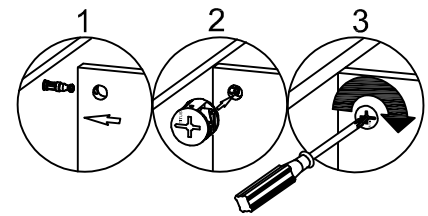
| | | |
|--|--|---|
| <p>A2</p>  <p>4pcs</p> | <p>M</p>  <p>1pcs</p> | <p>0</p>  <p>01X3 02X6</p> <p>3pcs</p> |
|--|--|---|



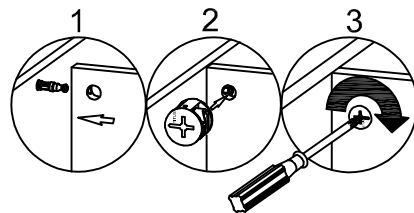
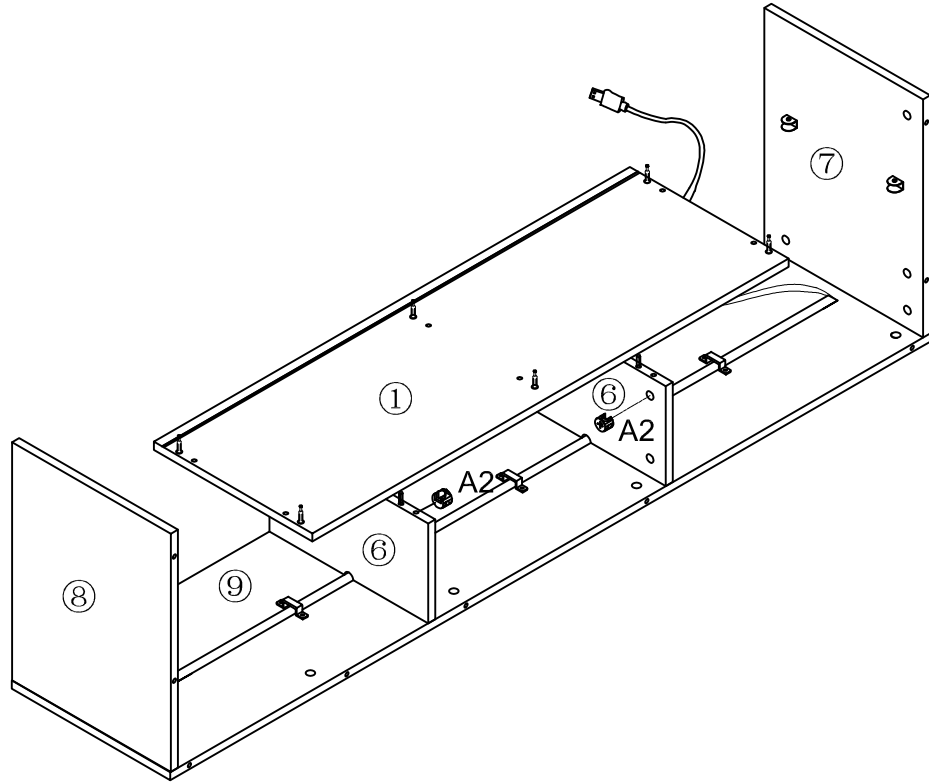
8 Pay attention to the positive and negative poles



| |
|---|
| <p>A2</p>  <p>4pcs</p> |
|---|

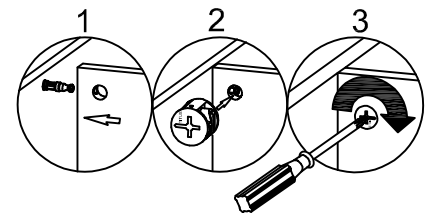
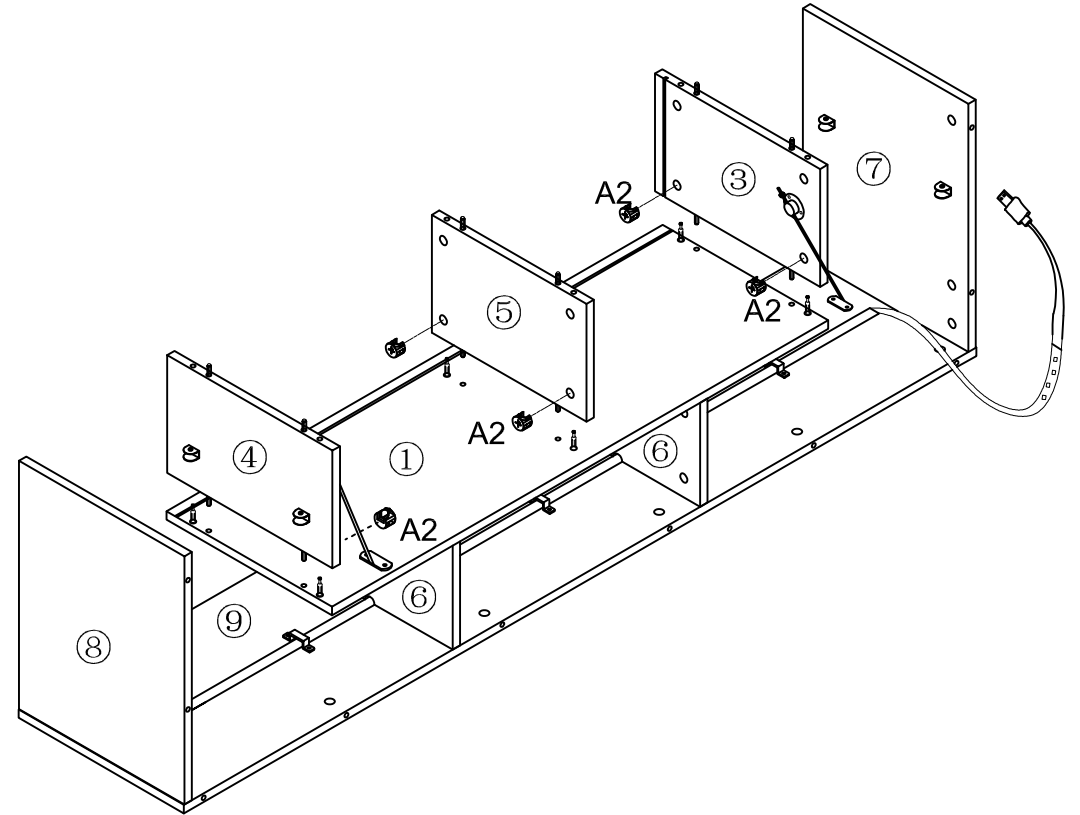


9

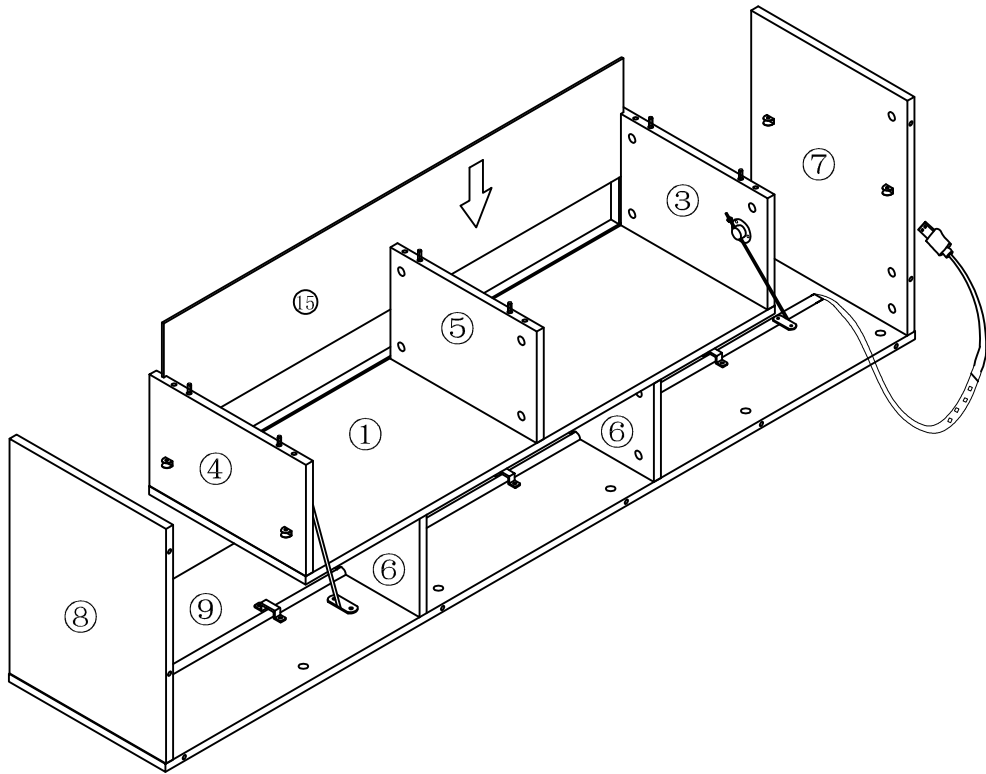


10

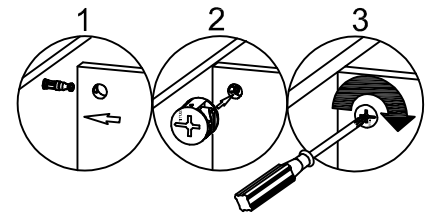
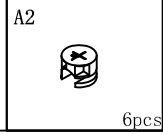
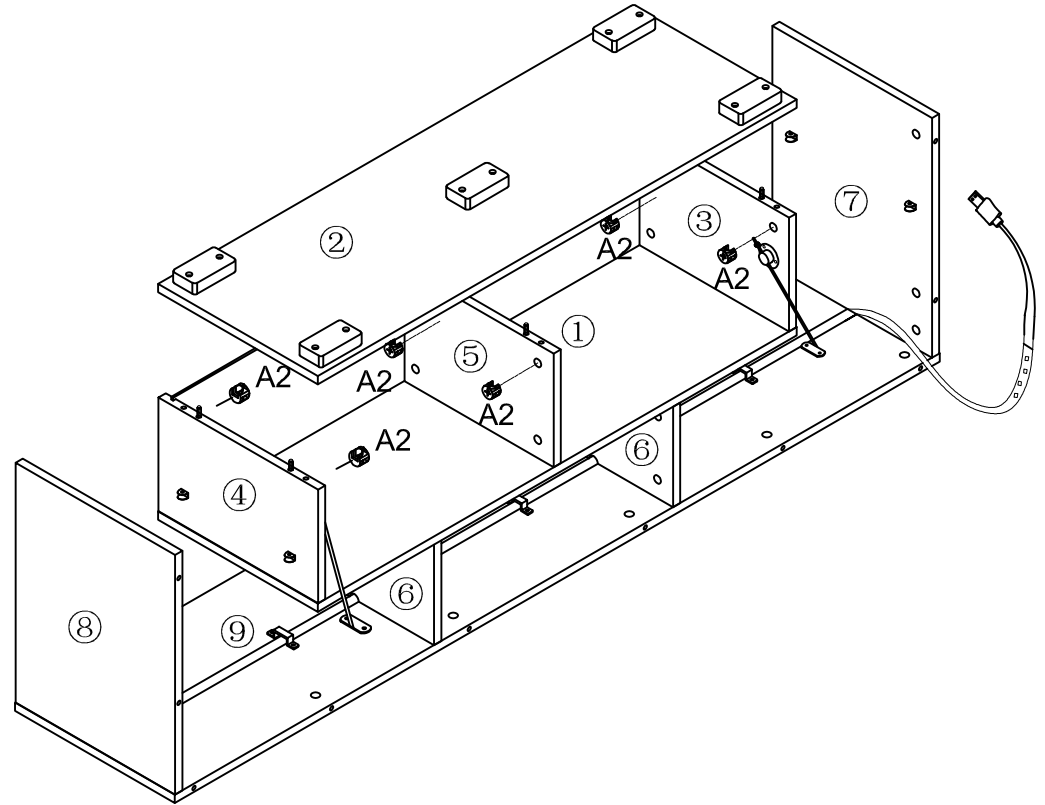
Note: Please pay attention to the front & rear directions of Board ③ and Board ④.



11 Note: Please insert Board ⑮ into the groove.

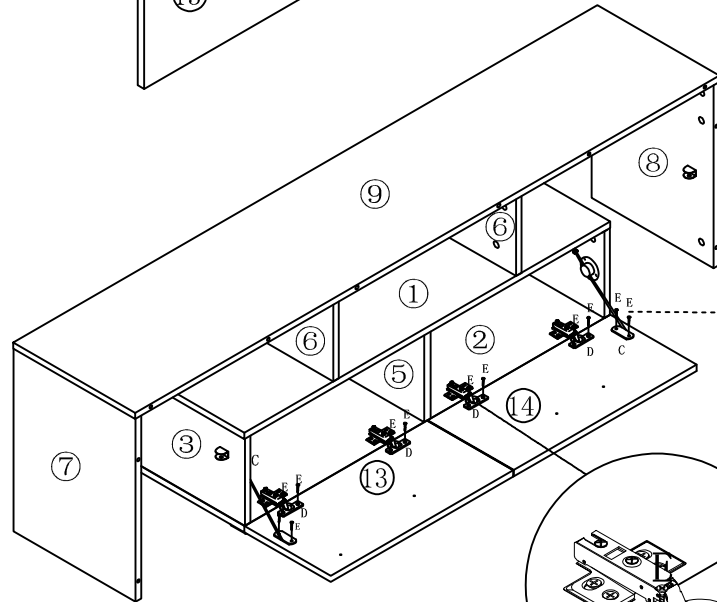
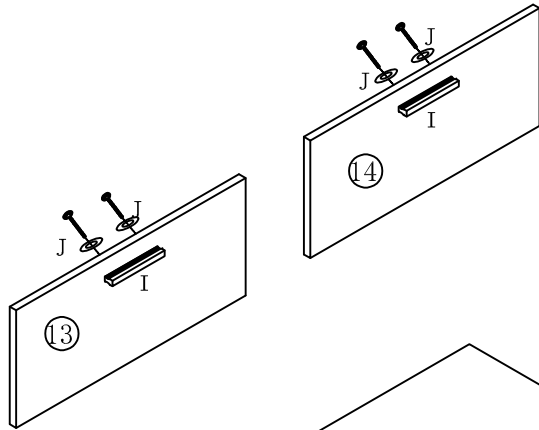


12

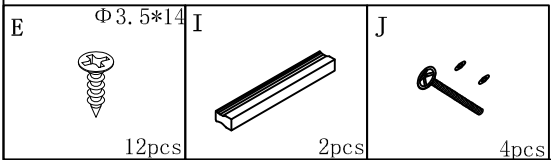
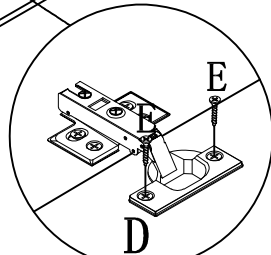
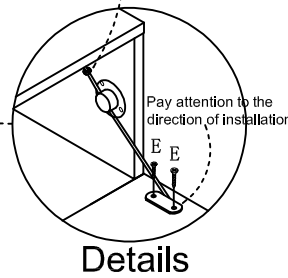


13

Note: Please pay attention to the left or right direction of Board ⑬ and Board ⑭.

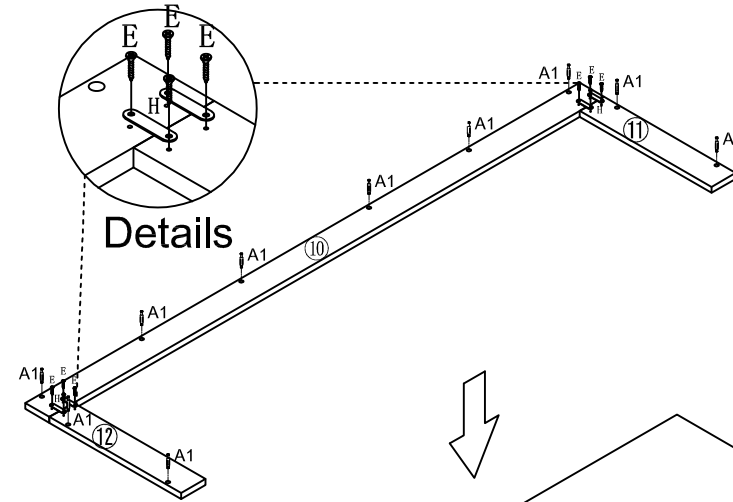
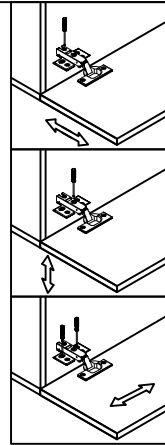


The nut is adjustable to control the opening of the panel.

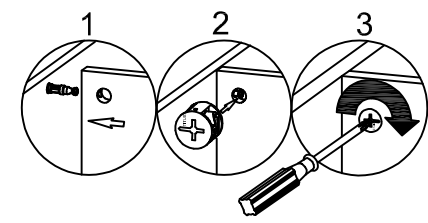
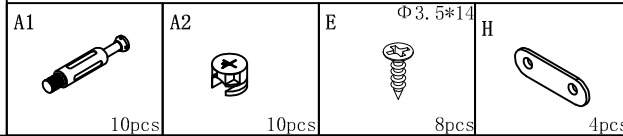
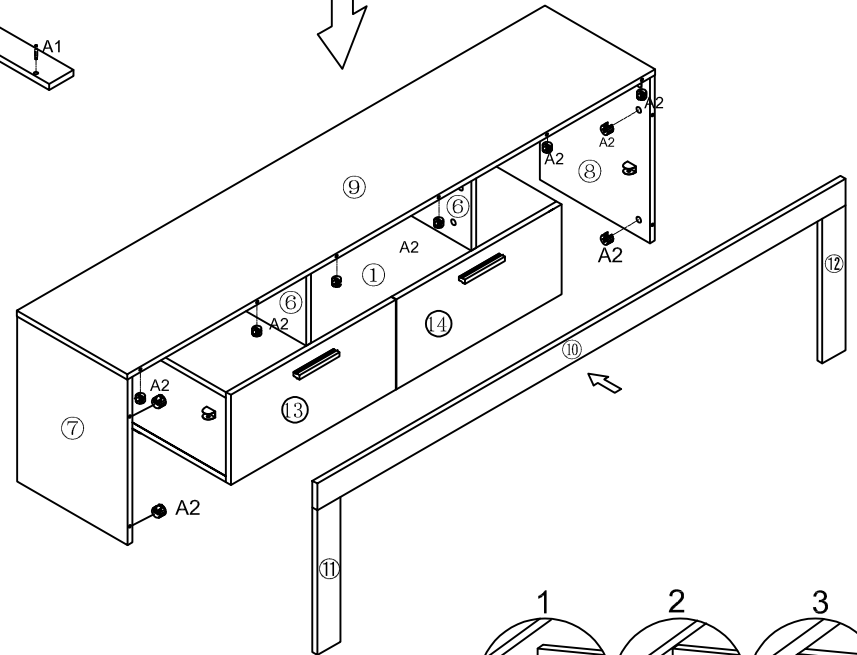


14

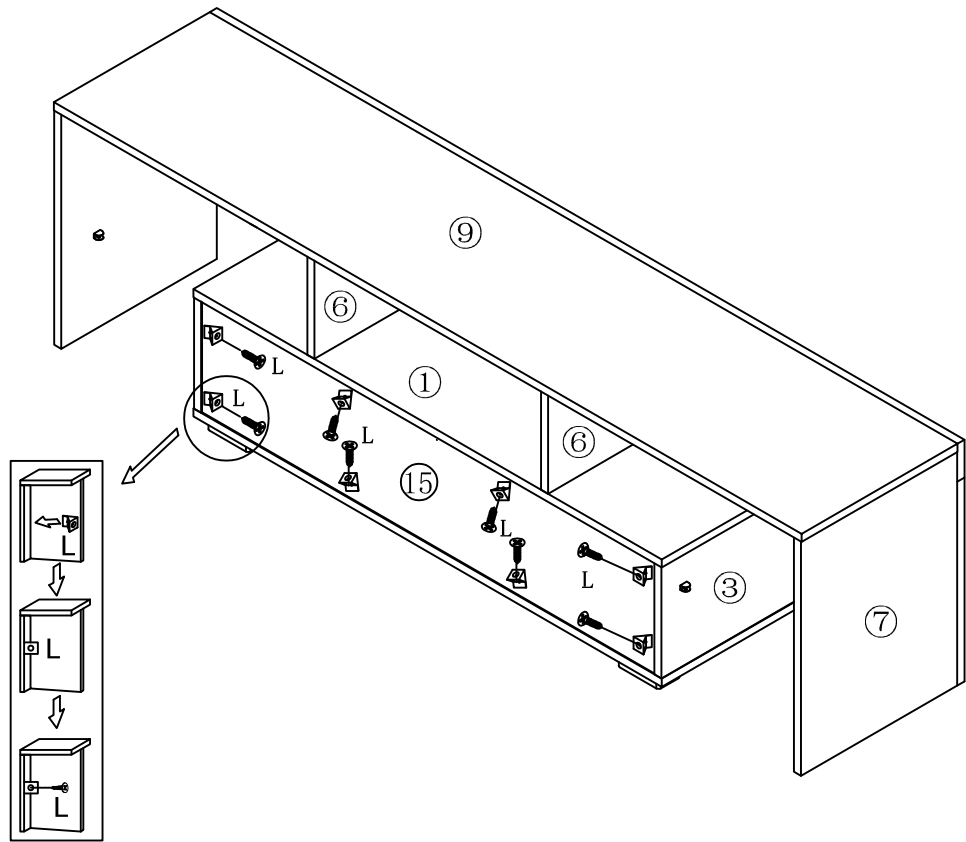
Note: Please pay attention to the positions and directions of the holes pre-drilled on Board ⑪ and Board ⑫.



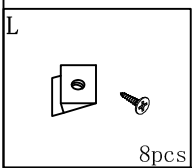
Details



15

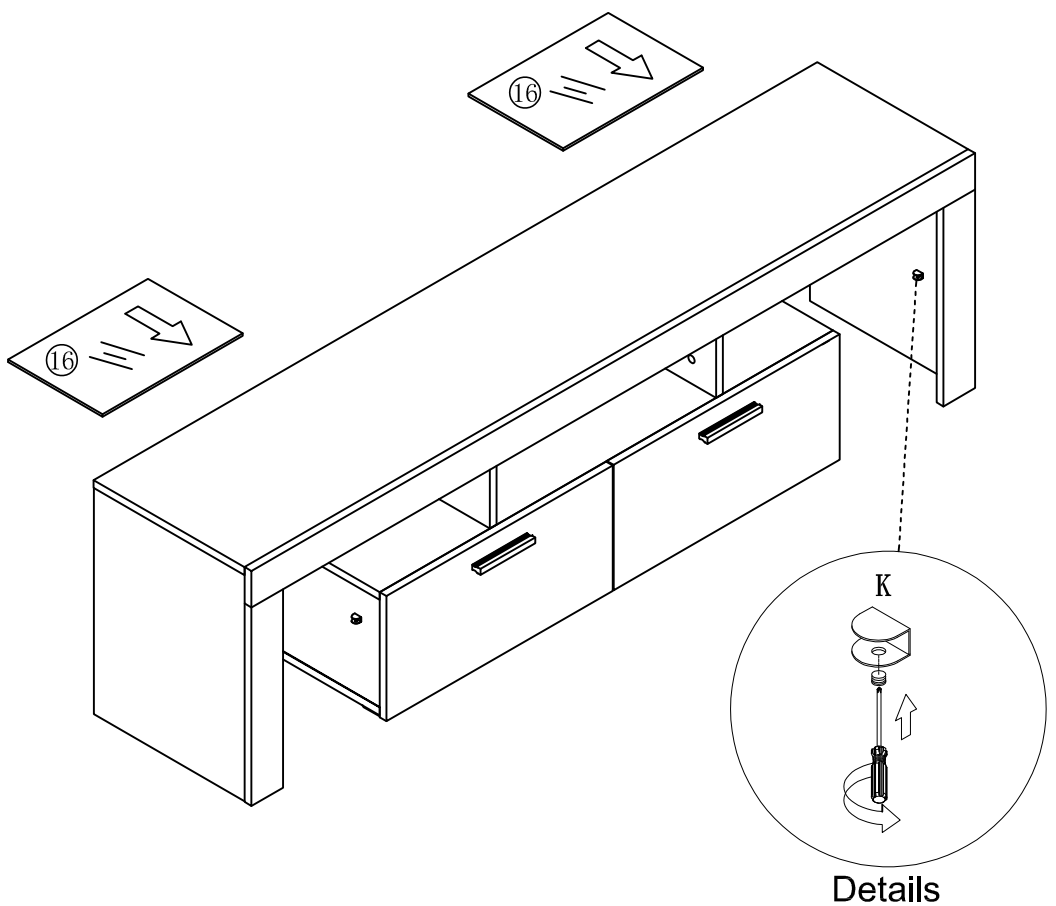


Insert the gap



16

Please remove the protective plastic film after the whole assemble process finished, then the surface will be high glossy, thank you for your choice



Details

After the glass is installed, please tighten the hardware K according to the prompts.
Note: No. 16 glass is more convenient to put in from the rear