

Assembly Instructions



Thank you for your purchase.

Please follow the instructions below for correct assembly.

▲ For higher efficiency, we recommend to use a power drill; the power drill should be set on the low speed to avoid screw stripping.

CAUTION

This package contains small parts and hardware; keep it from children to avoid accidental swallowing.

Disclaimer

All information provided in this manual, including but not limited to notes, pictures, instructions, schematic diagrams, assembly procedures and safety precautions, etc., is in good faith and every reasonable effort has been made to ensure that the provided information is proper, correct and accurate to the best of the manufacturer's knowledge.

Under no circumstance shall the manufacturers, the distributors, the sales agents and the associates, contractors and employees of the above organizations be held liable for any direct, indirect, consequential or incidental losses, damages, injuries or accidents of any kind incurred as a result of the assembly, adjustment and use of the furniture contained in this box. By reading this manual and decide to proceed, you are deemed to agree to accept full personal responsibility and liability for any possible personal injury or damage you suffer from your actions, directly or indirectly, arising out of or in connections with the assembly, adjustment and use of the furniture.



Caution!

Personal injury can occur during the assembly and adjustment of the furniture contained in this box. You will be solely responsible for your personal safety.

PPE Recommendations

Proper PPEs (Personal Protection Equipment) are recommended to use during assembly and adjustment of the furniture.

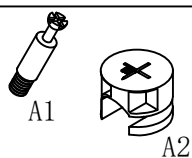
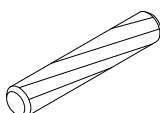

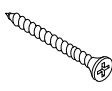
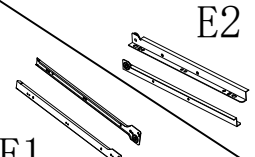


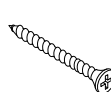
Gloves

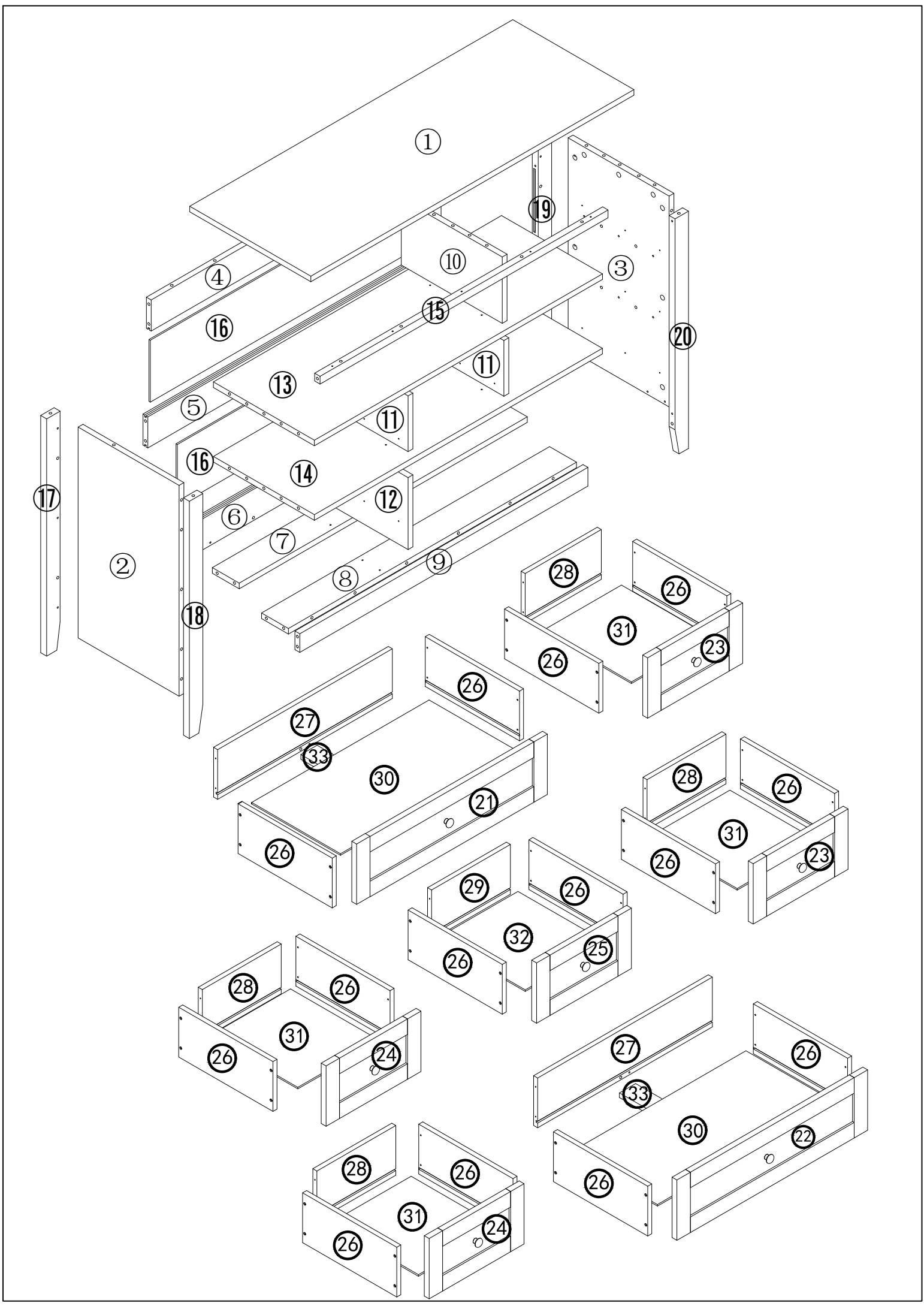


Safety
Goggles

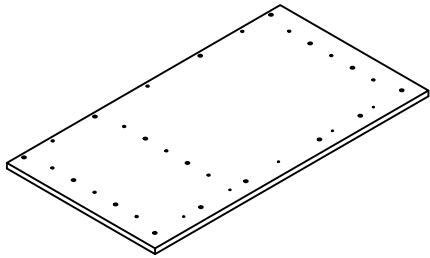




 <p>A1 A2</p>	 <p>$\Phi 8*30$</p>	 <p>$\Phi 3.5*12$</p>	 <p>$\Phi 4*25$</p>	 <p>E1 E2</p>
<p>$A \times 82$</p>	<p>$B \times 48$</p>	<p>$C \times 70$</p>	<p>$D \times 61$</p>	<p>$E \times 7$</p>
 <p>F</p>	 <p>$\Phi 4*30$</p>	 <p>$\Phi 4*30$</p>		
<p>$F \times 7$</p>	<p>$G \times 7$</p>	<p>$H \times 10$</p>		



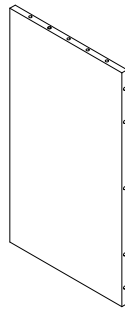
①



1200x450x18mm

1 PC

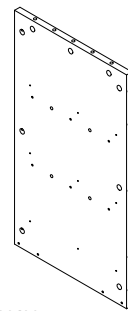
②



678x375x18mm

1 PC

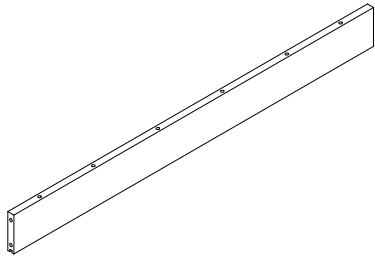
③



678x375x18mm

1 PC

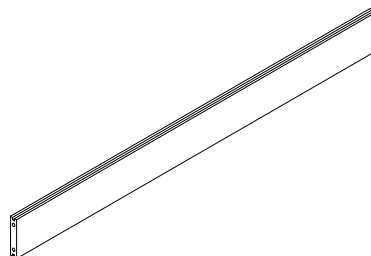
④



1070x100x18mm

1 PC

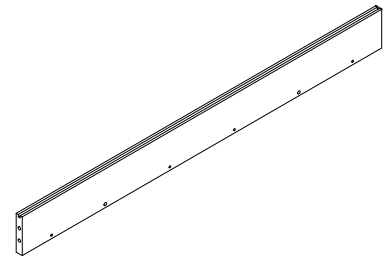
⑤



1070x100x18mm

1 PC

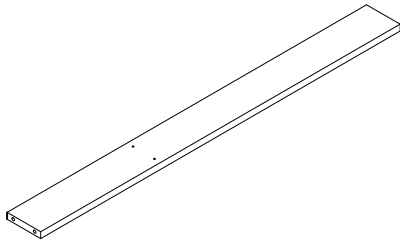
⑥



1070x100x18mm

1 PC

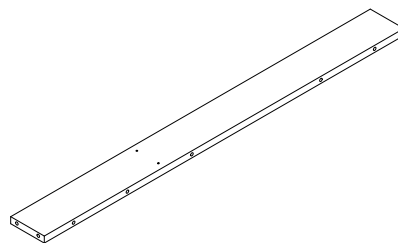
⑦



1070x100x18mm

1 PC

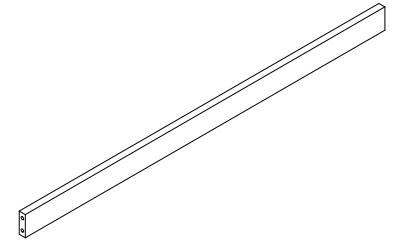
⑧



1070x100x18mm

1 PC

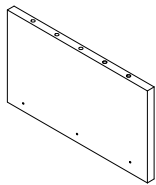
⑨



1070x60x20mm

1 PC

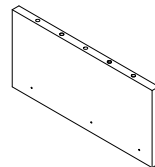
⑩



213.5x375x18mm

1 PC

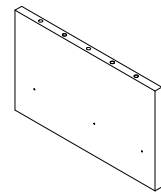
⑪



179x375x18mm

2 PCS

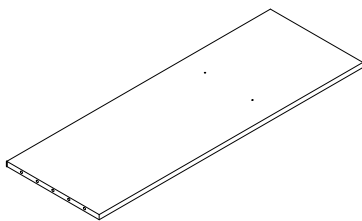
⑫



231.5x375x18mm

1 PC

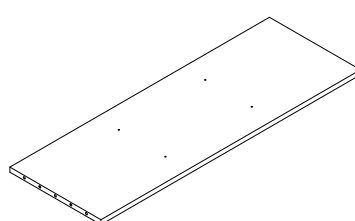
⑬



1070x375x18mm

1 PC

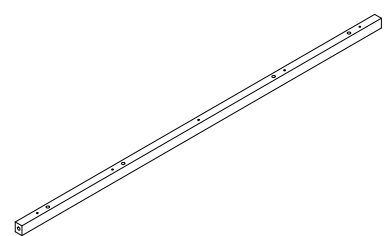
⑭



1070x375x18mm

1 PC

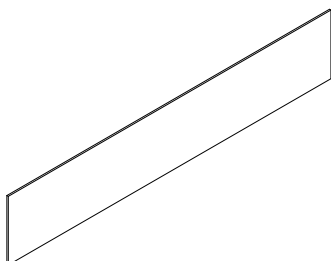
⑮



1070x25x20mm

1 PC

⑯



1080x199x5mm

2 PCS

⑰



763x50x22mm



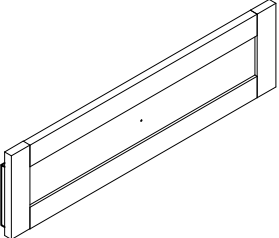
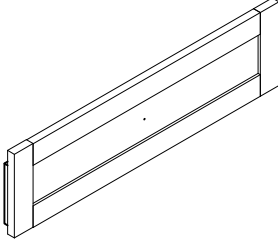
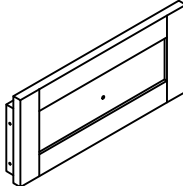
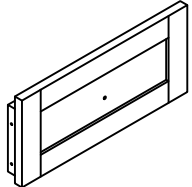
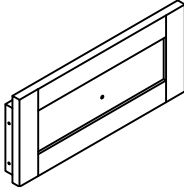
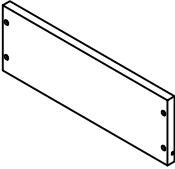
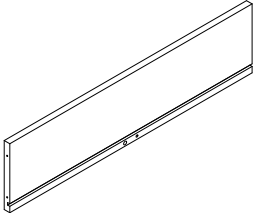
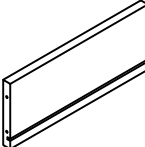
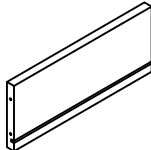
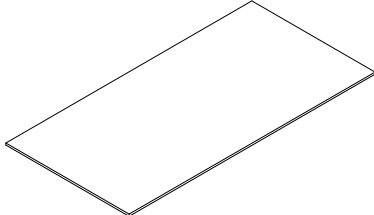
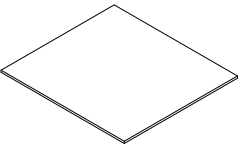
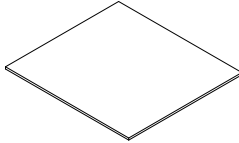
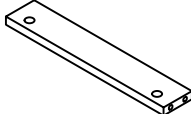
1 PC

⑱

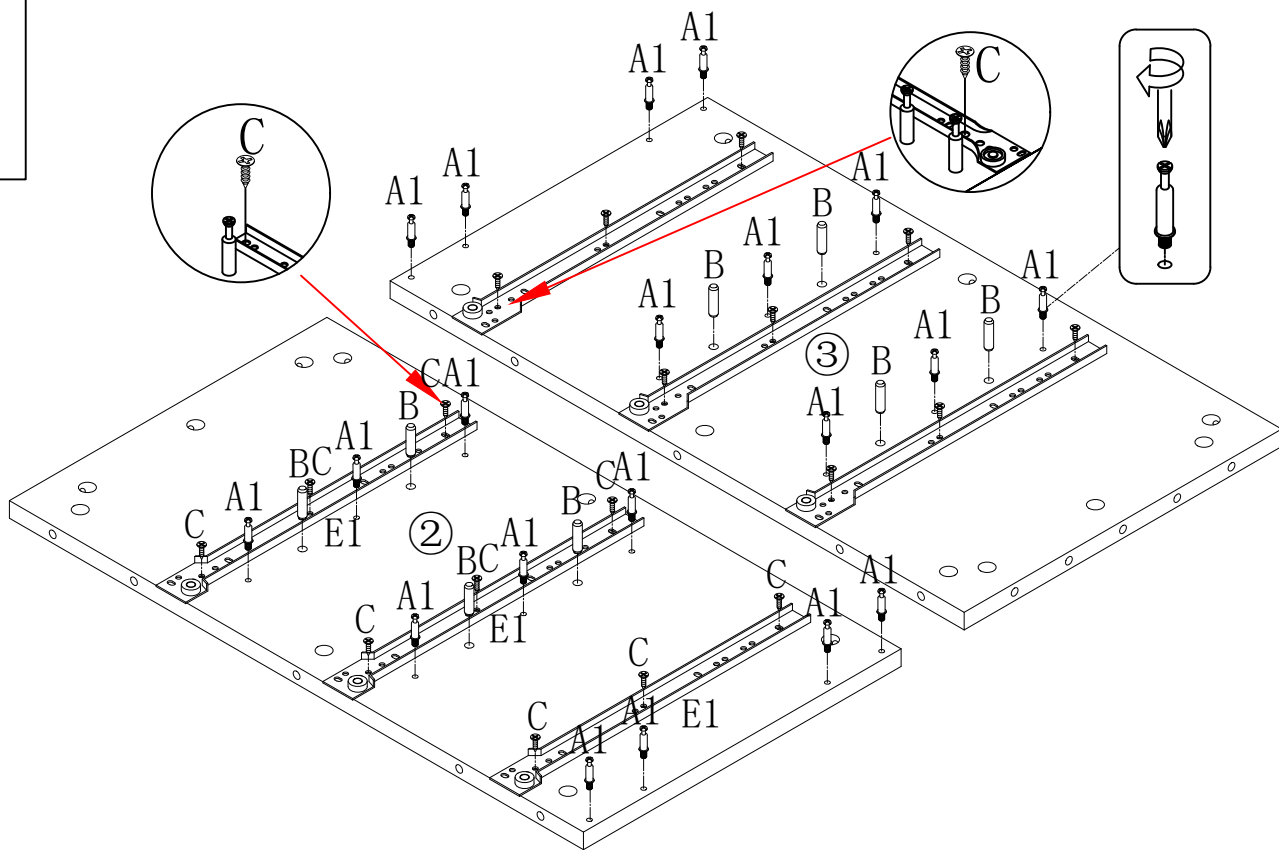


763x50x22mm

1 PC

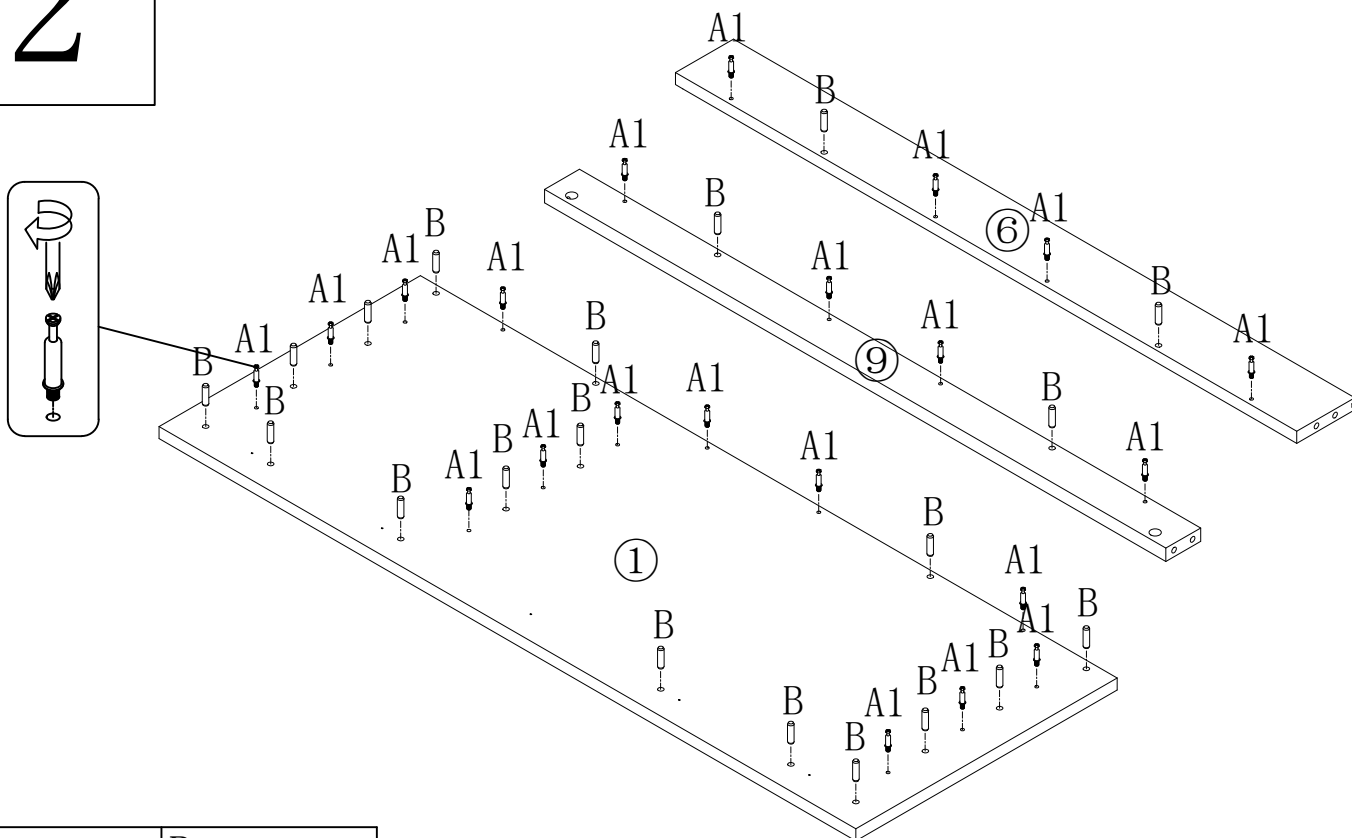
<p>①9</p>  <p>763x50x22mm</p> <p>1 PC</p>	<p>②0</p>  <p>763x50x22mm</p> <p>1 PC</p>	<p>②1</p>  <p>708.5x194x20mm</p> <p>1 PC</p>
<p>②2</p>  <p>708.5x194x20mm</p> <p>1 PC</p>	<p>②3</p>  <p>352.5x194x20mm</p> <p>2 PCS</p>	<p>②4</p>  <p>352.5x194x20mm</p> <p>2 PCS</p>
<p>②5</p>  <p>352.5x194x20mm</p> <p>1 PC</p>	<p>②6</p>  <p>350x160x15mm</p> <p>14 PCS</p>	<p>②7</p>  <p>649x160x15mm</p> <p>2 PCS</p>
<p>②8</p>  <p>293x160x15mm</p> <p>4 PCS</p>	<p>②9</p>  <p>283x160x15mm</p> <p>1 PC</p>	<p>③0</p>  <p>659x330x5mm</p> <p>2 PCS</p>
<p>③1</p>  <p>303x330x5mm</p> <p>4 PCS</p>	<p>③2</p>  <p>293x330x5mm</p> <p>1 PC</p>	<p>③3</p>  <p>320x60x15mm</p> <p>2 PCS</p>

1



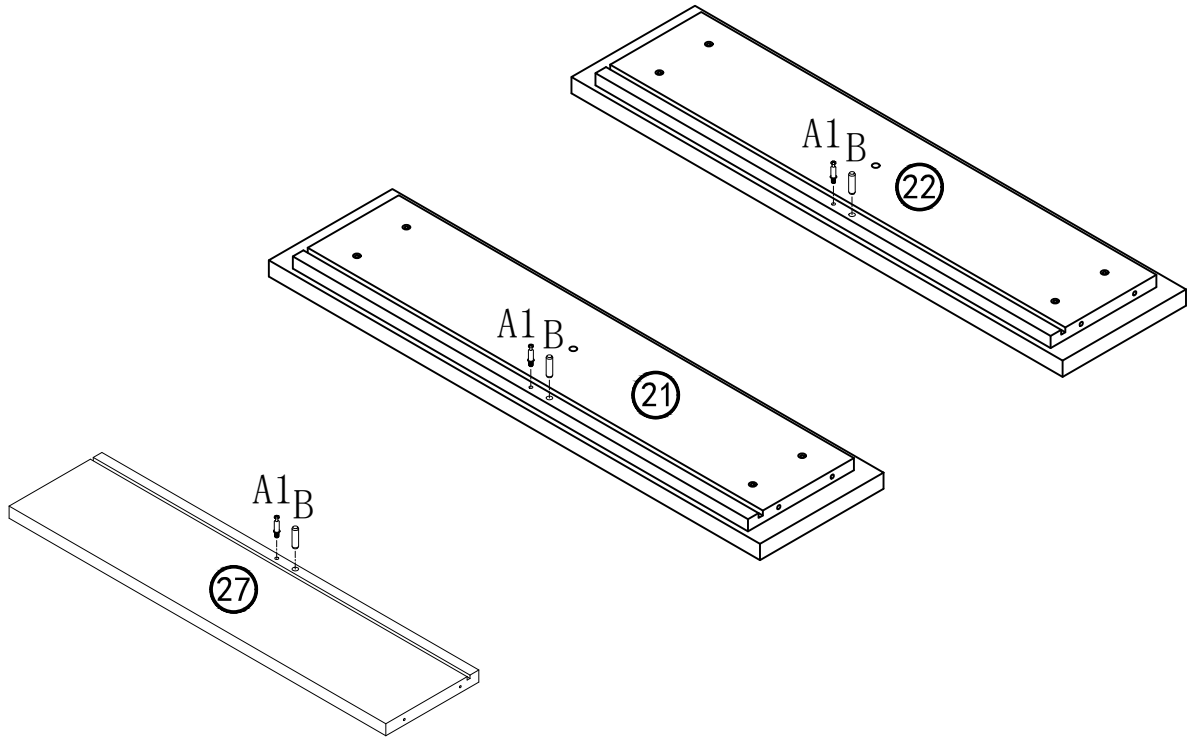
A1	B	C	E1
20PCS	8PCS	18PCS	3PCS

2



A1	B
21PCS	20PCS

3



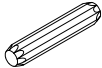
× 2

A1



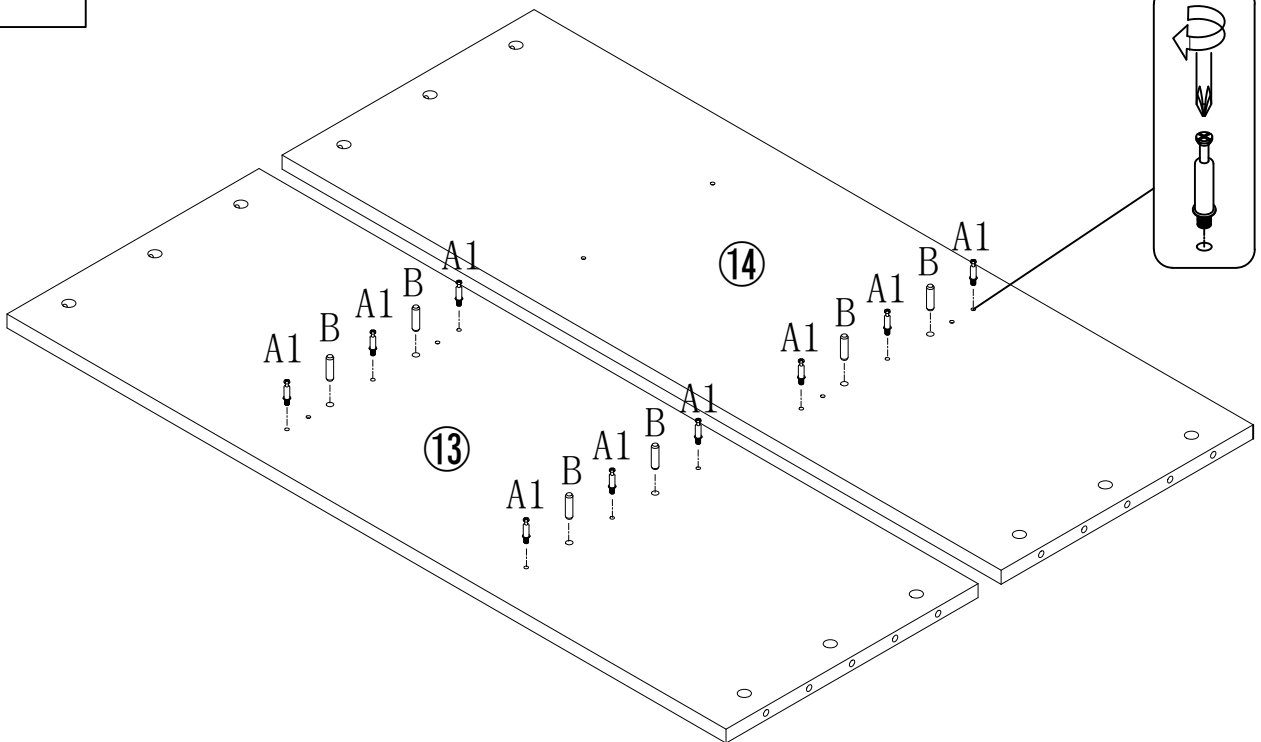
4PCS

B



4PCS

4

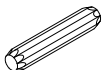


A1



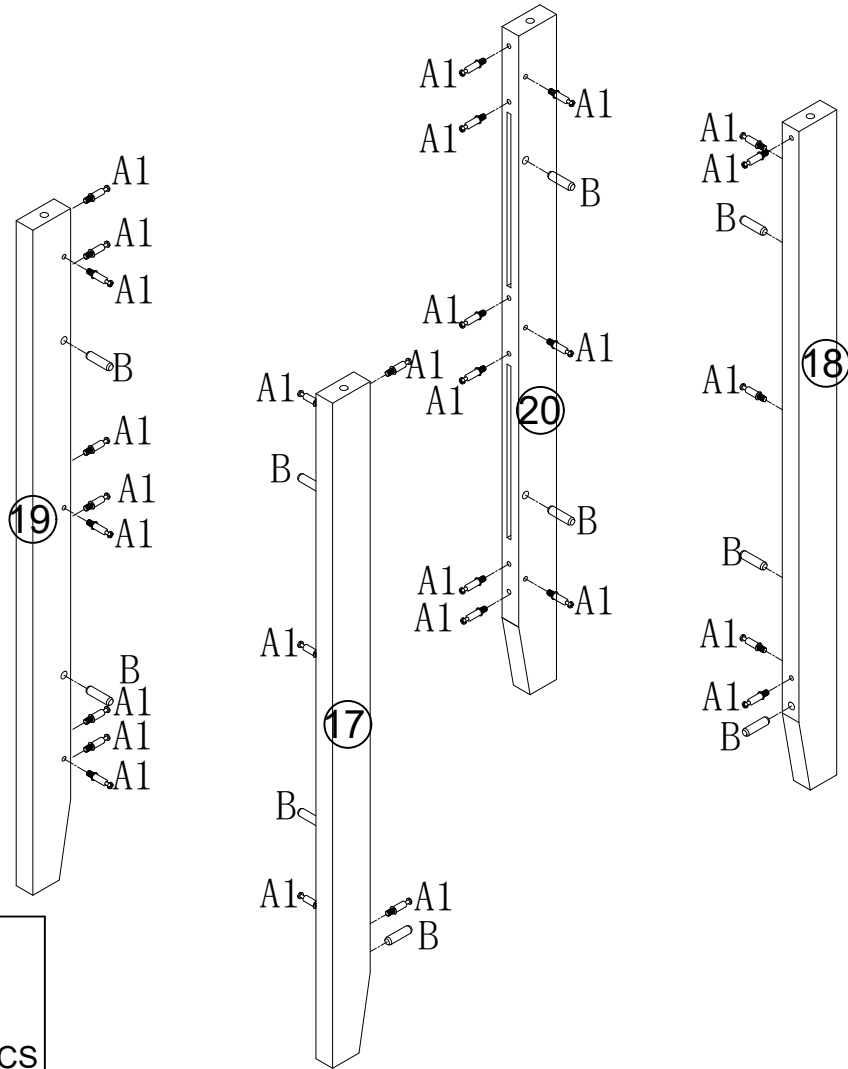
9PCS

B



6PCS

5

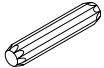


A1



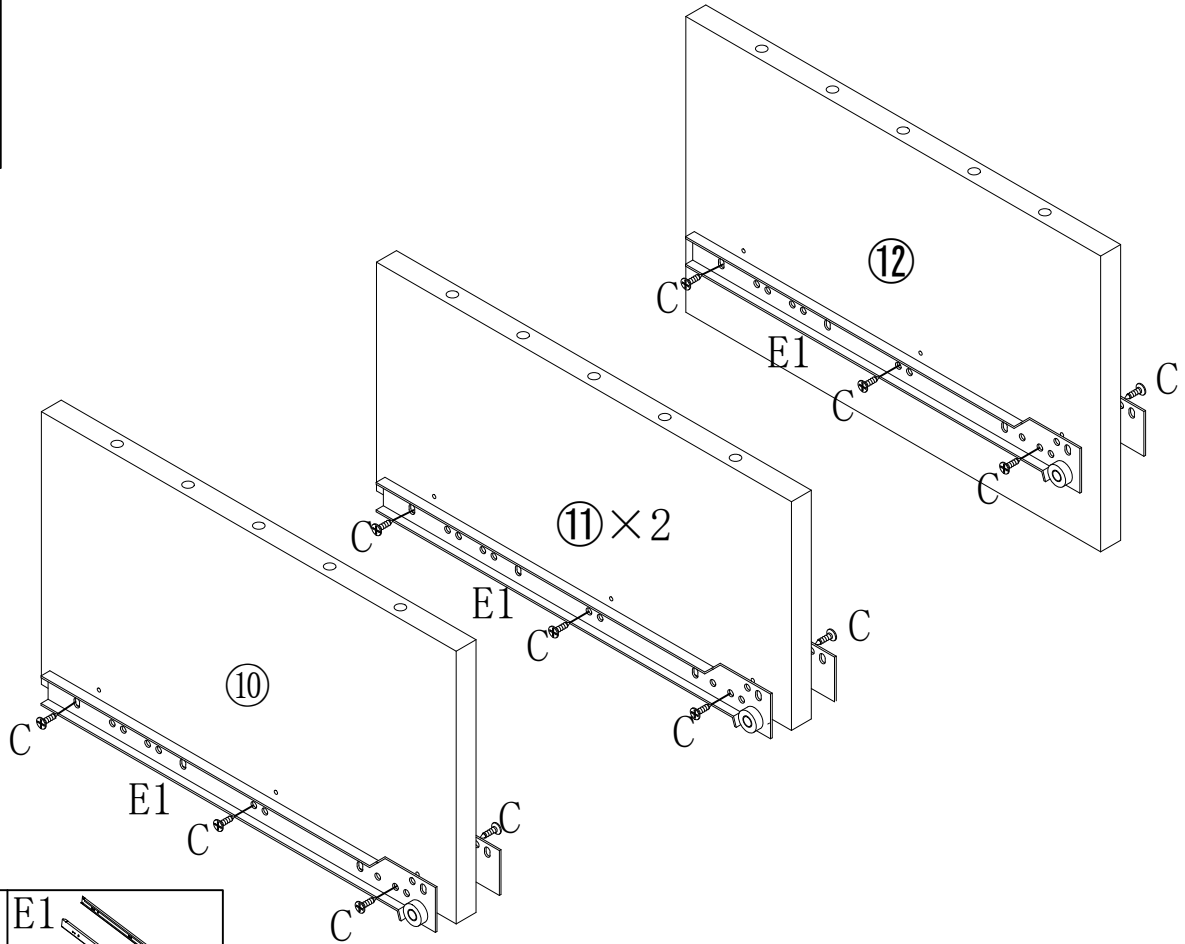
28PCS

B



10PCS

6



C



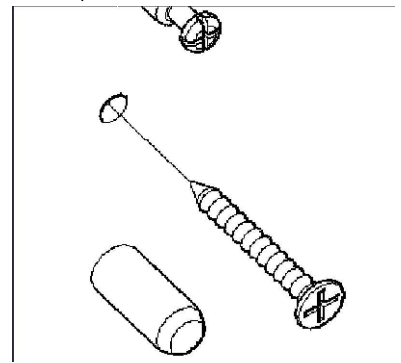
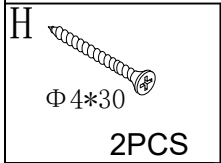
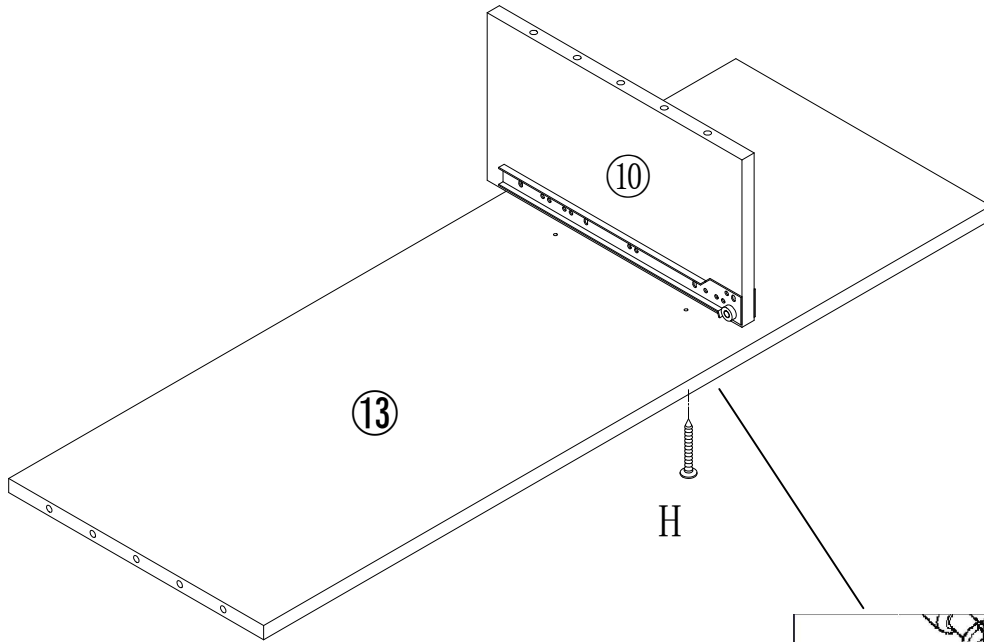
24PCS

E1

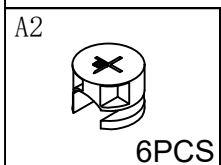
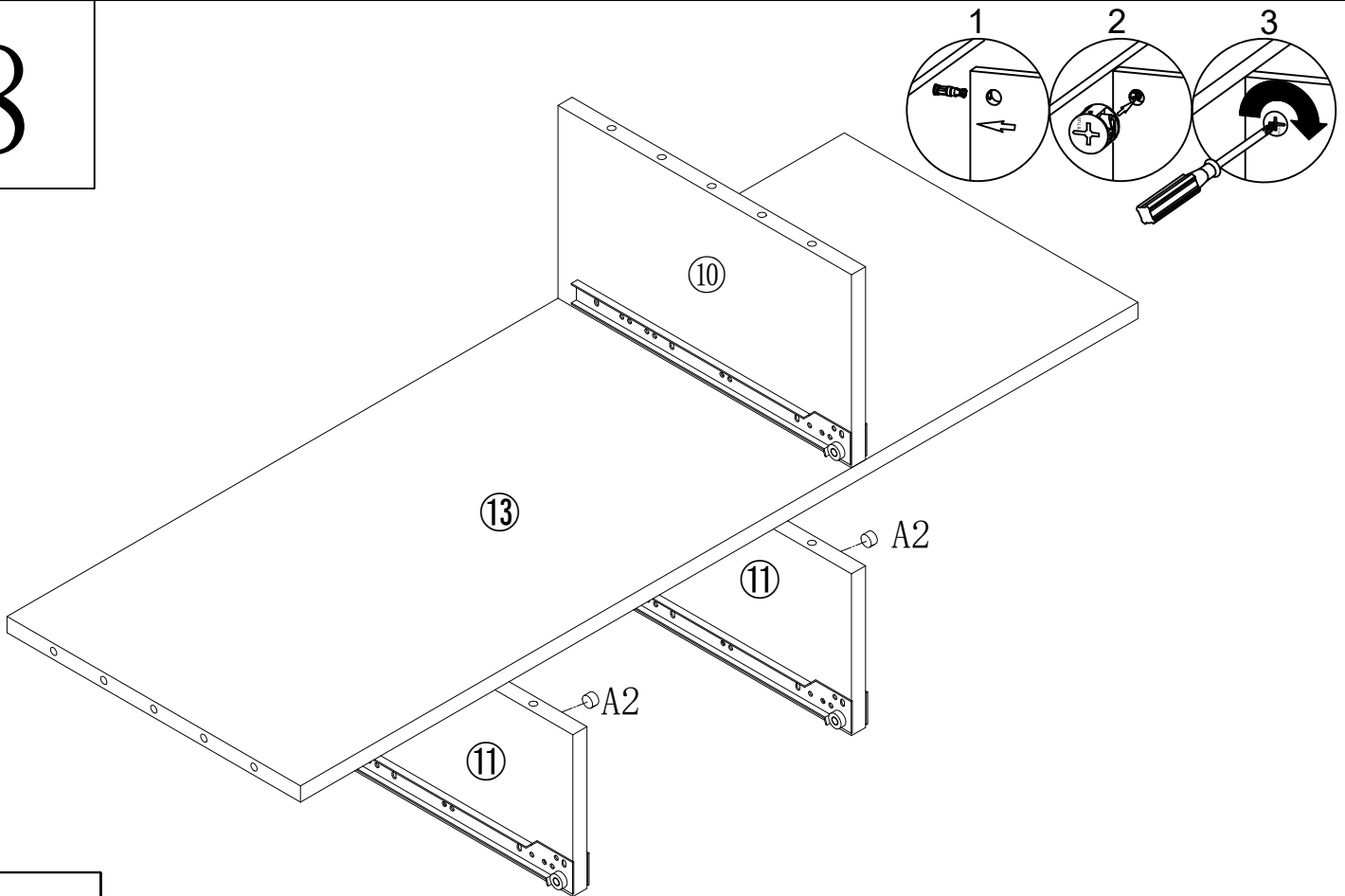


4PCS

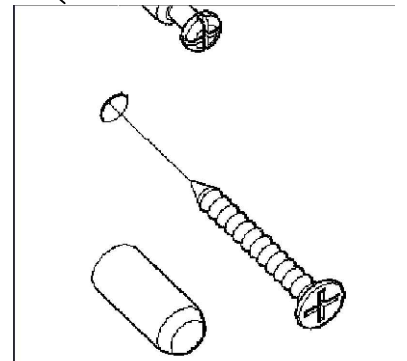
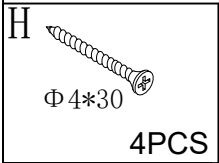
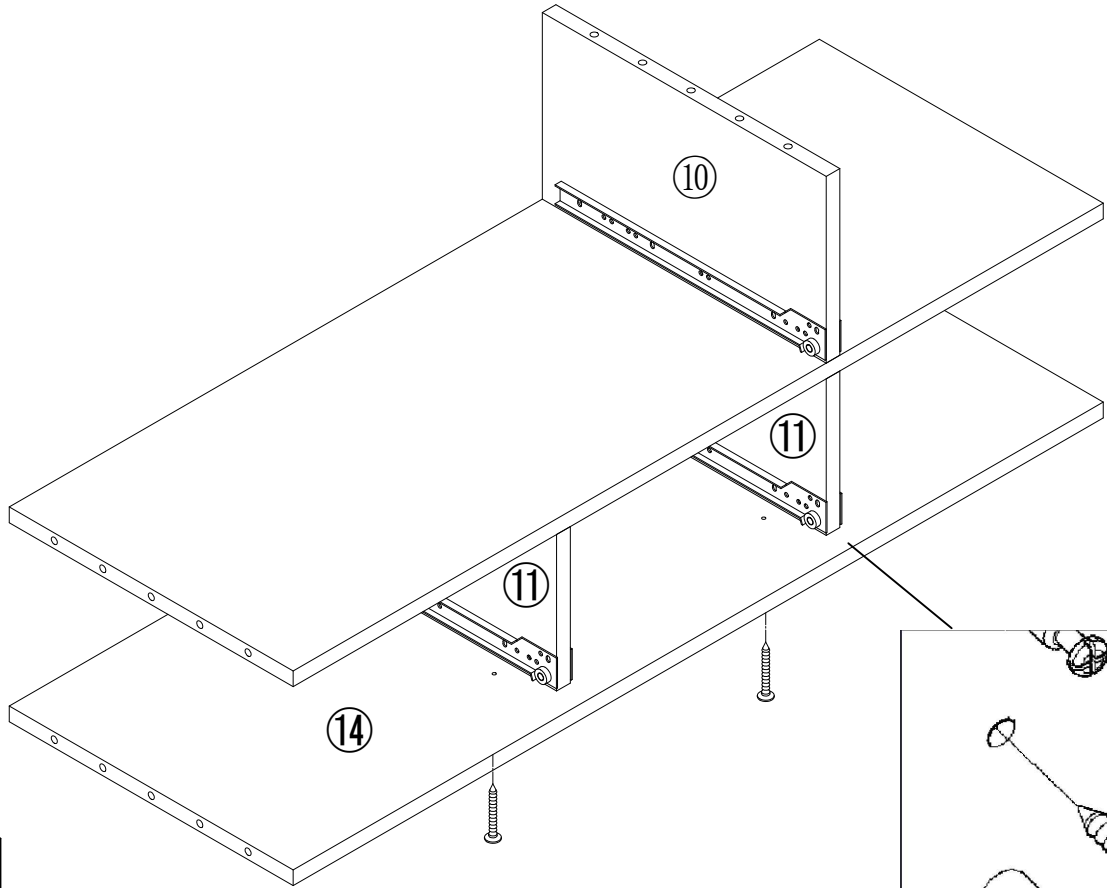
7



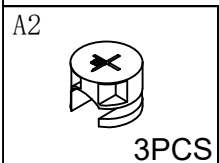
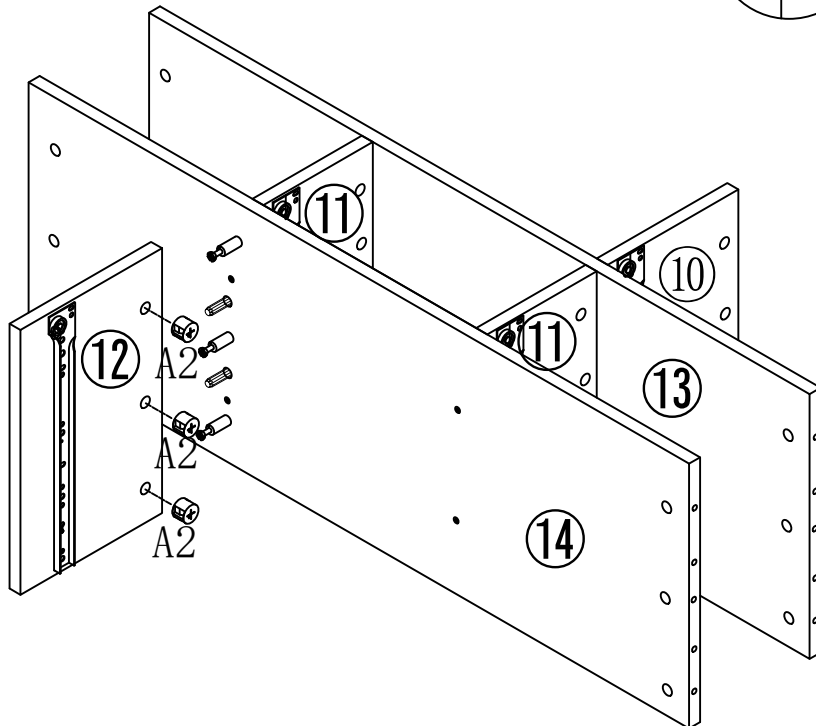
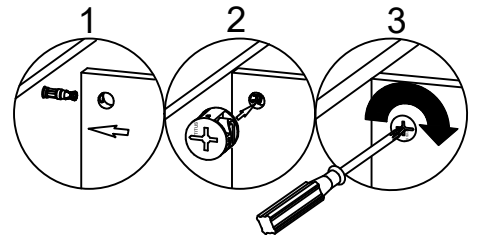
8



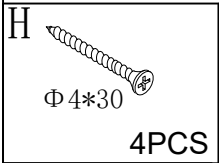
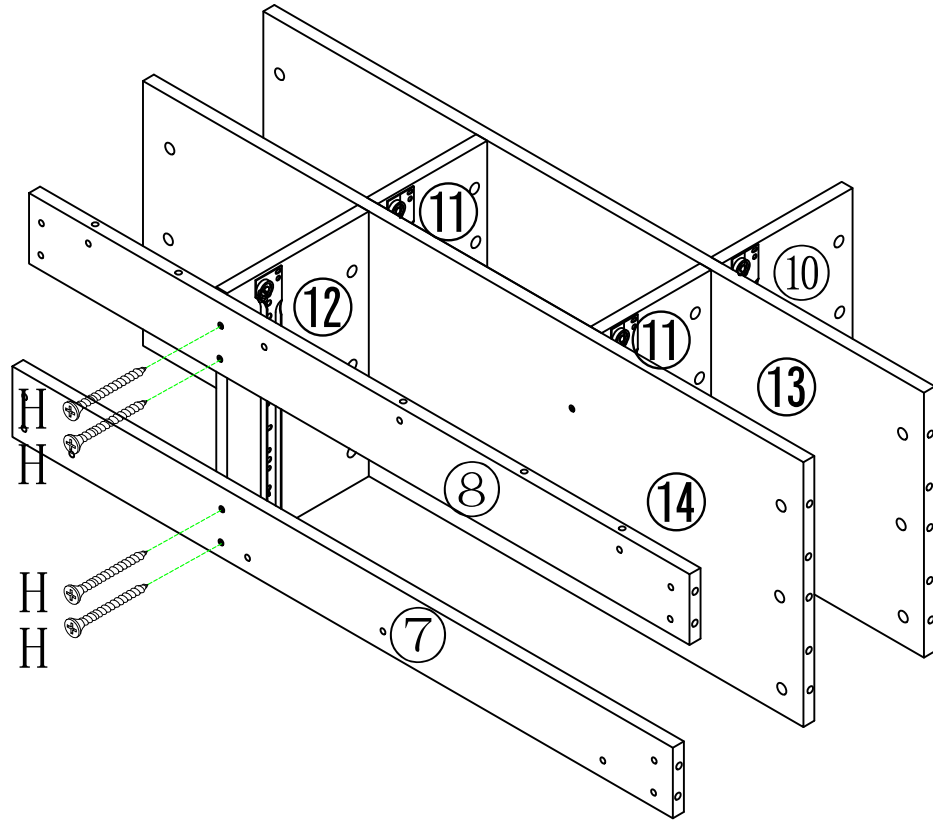
9



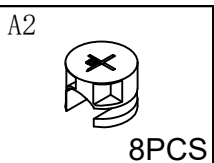
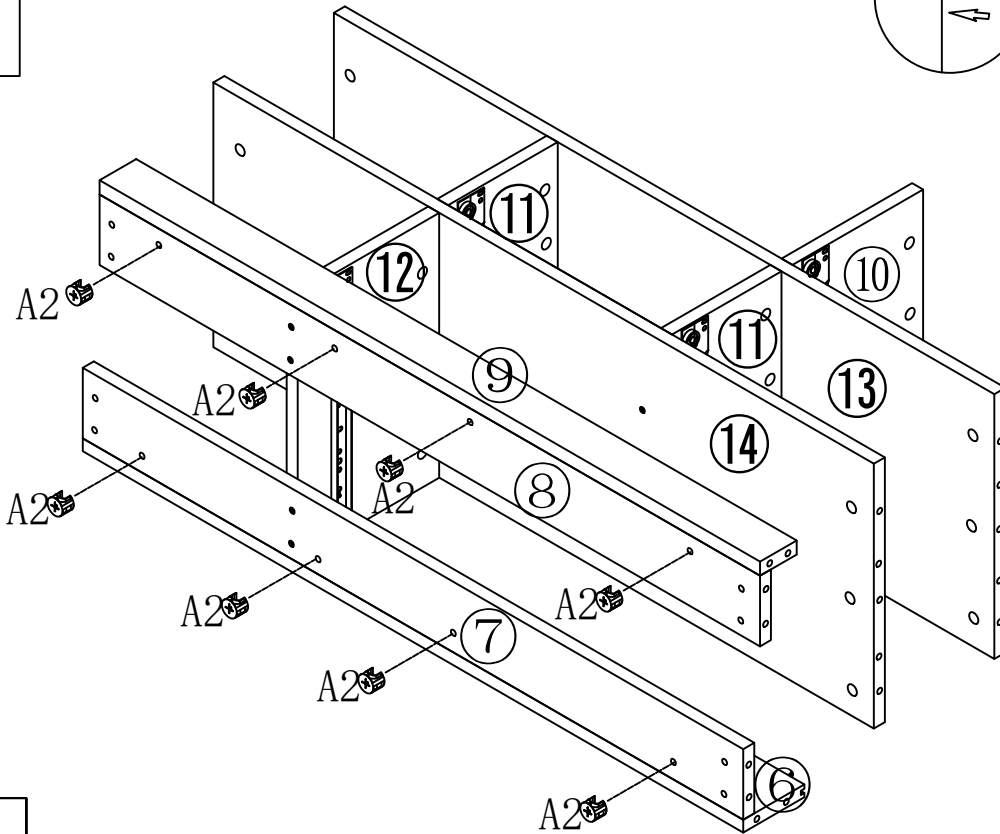
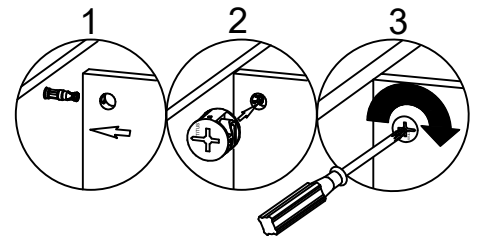
10



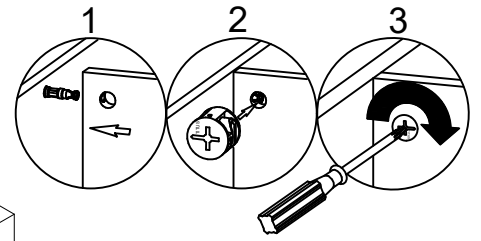
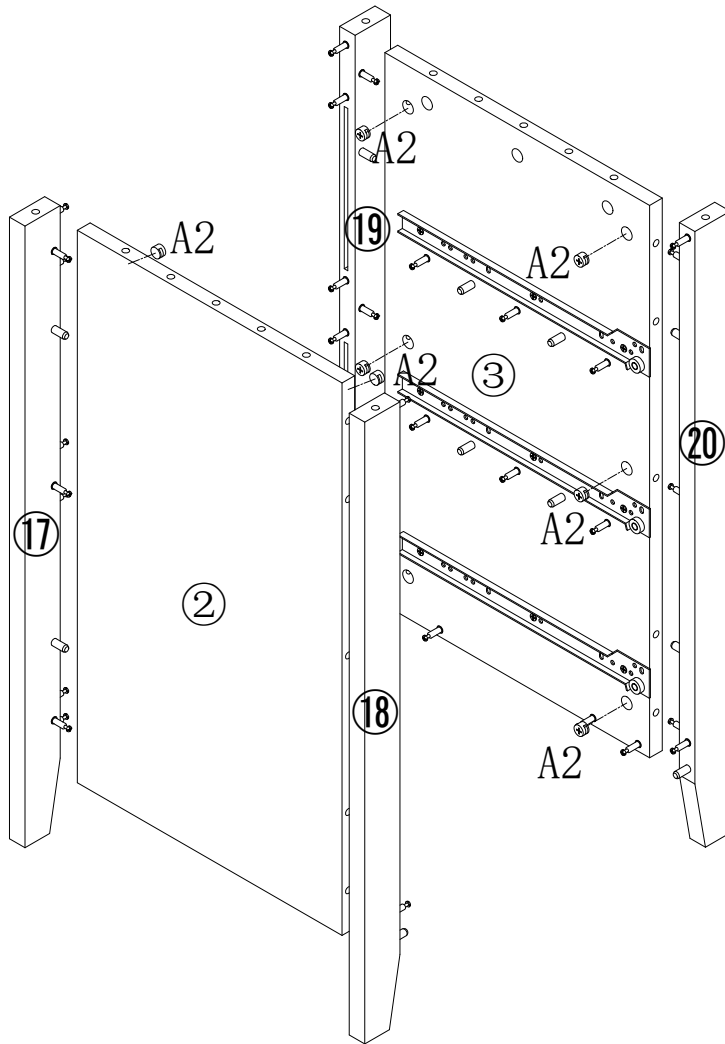
11



12



13

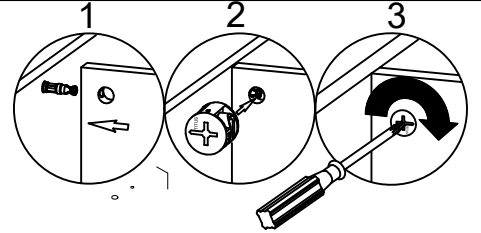
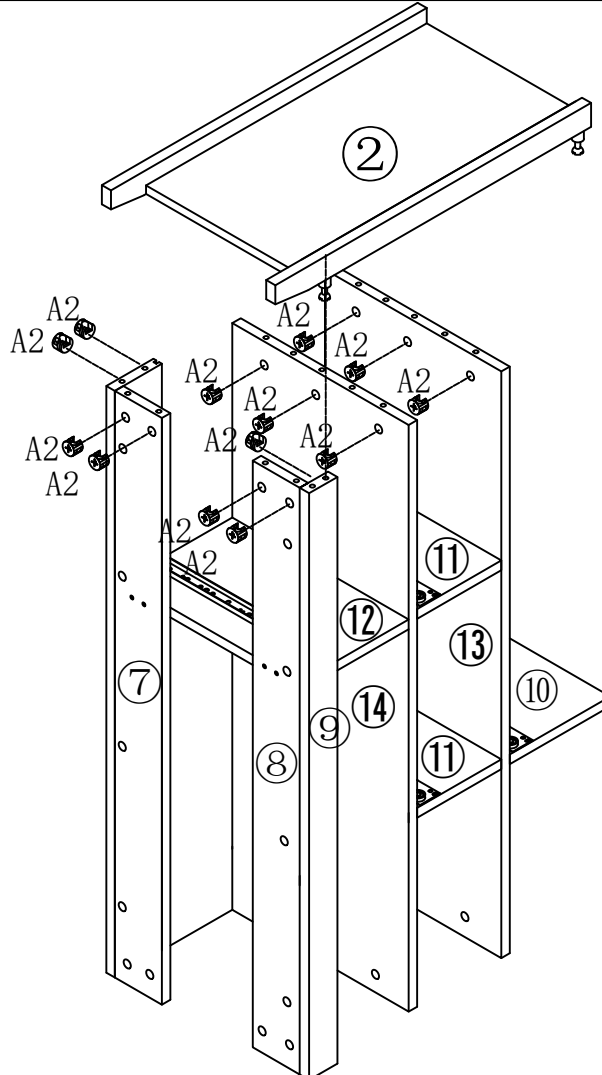


A2



12PCS

14

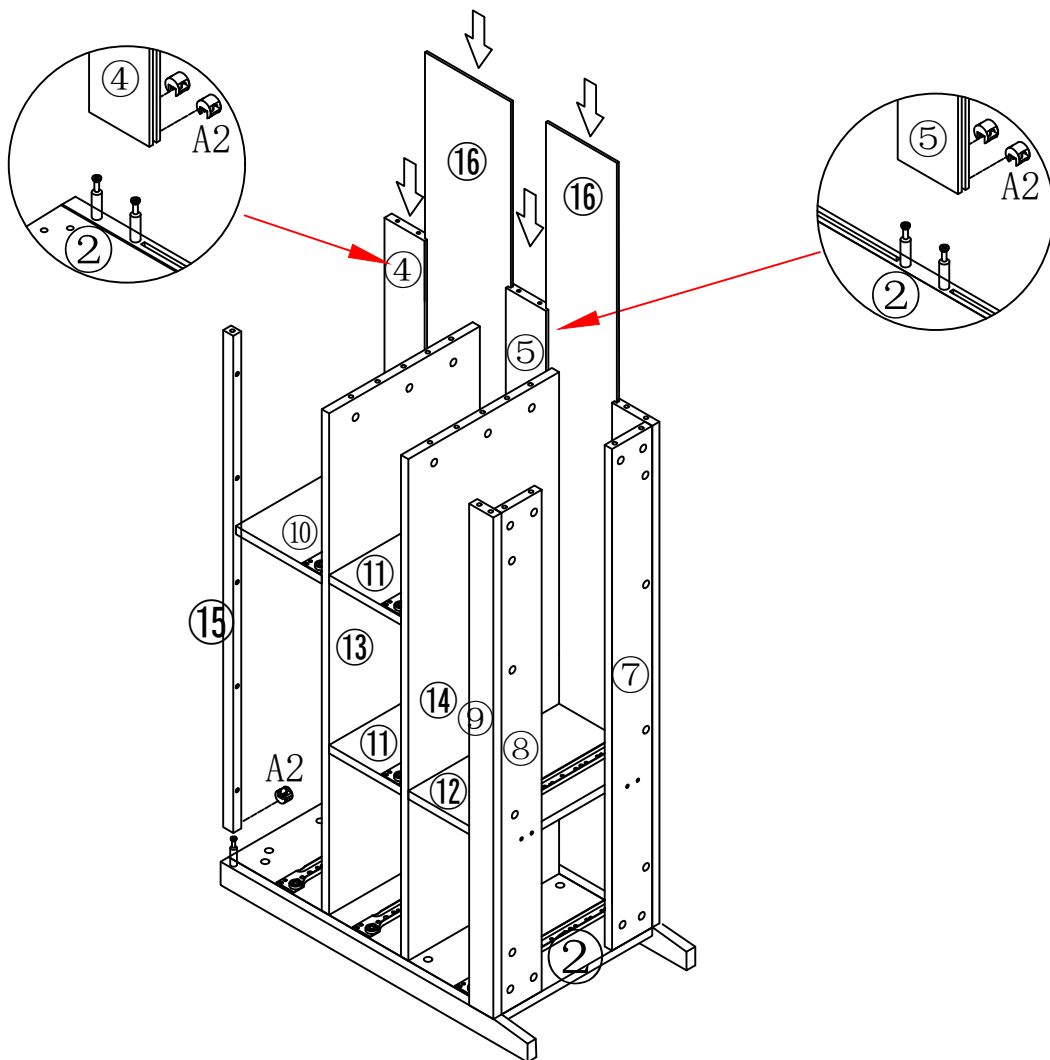


A2



13PCS

15

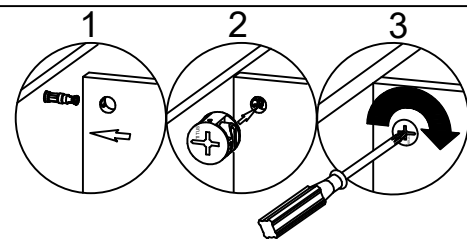
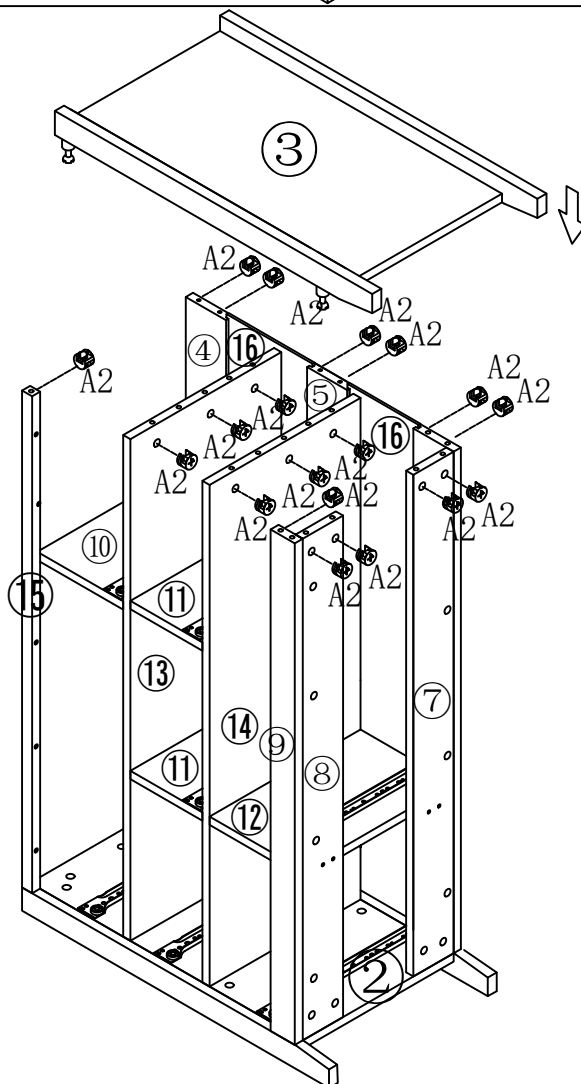


A2



5PCS

16

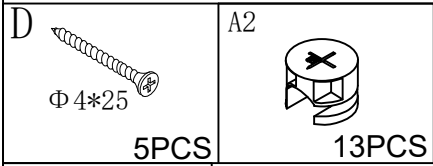
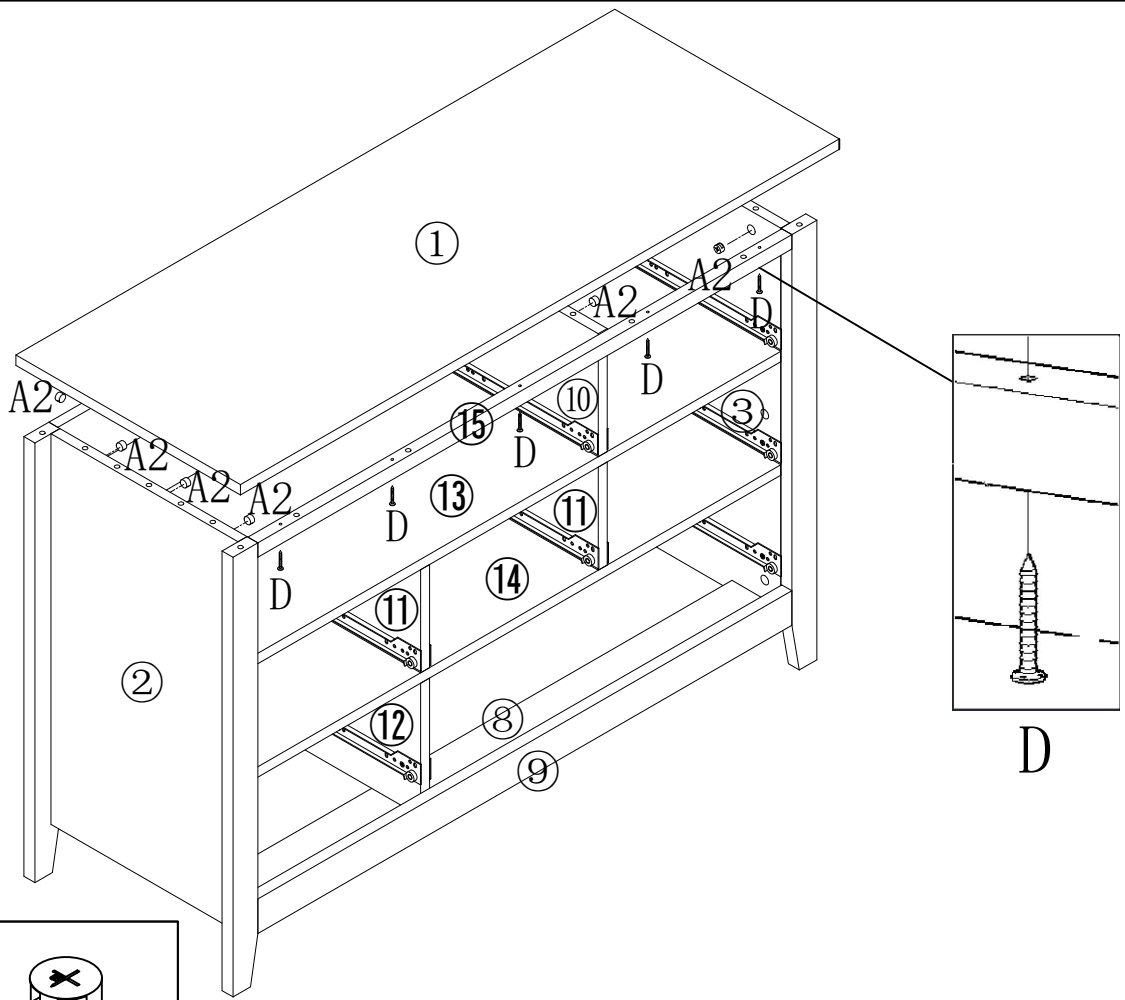


A2

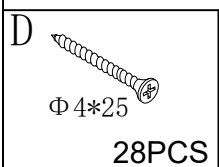
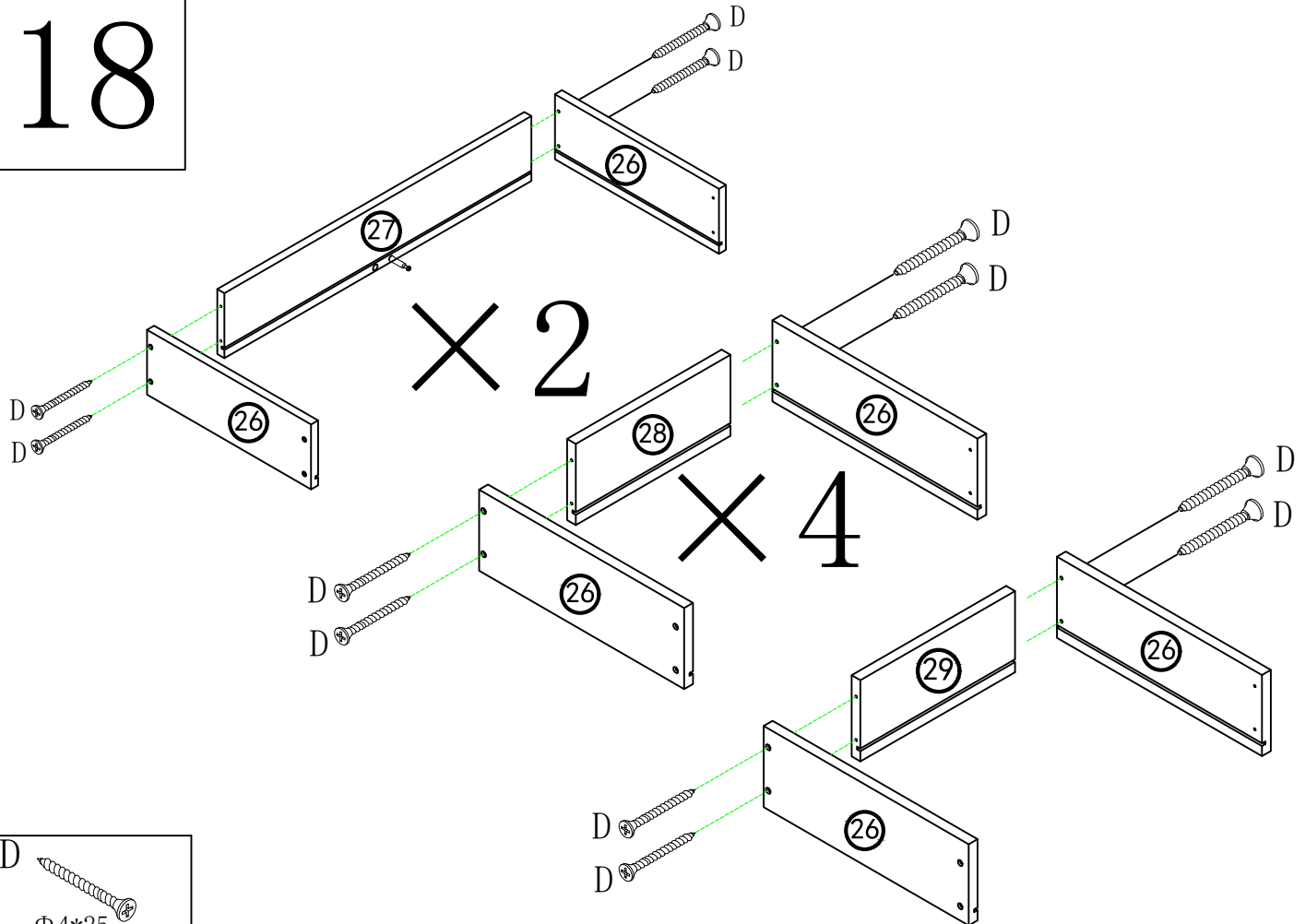


18PCS

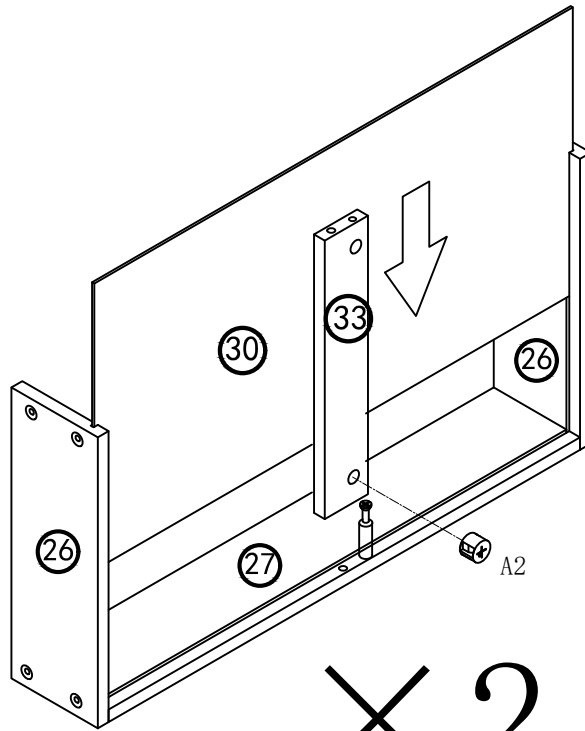
17



18



19



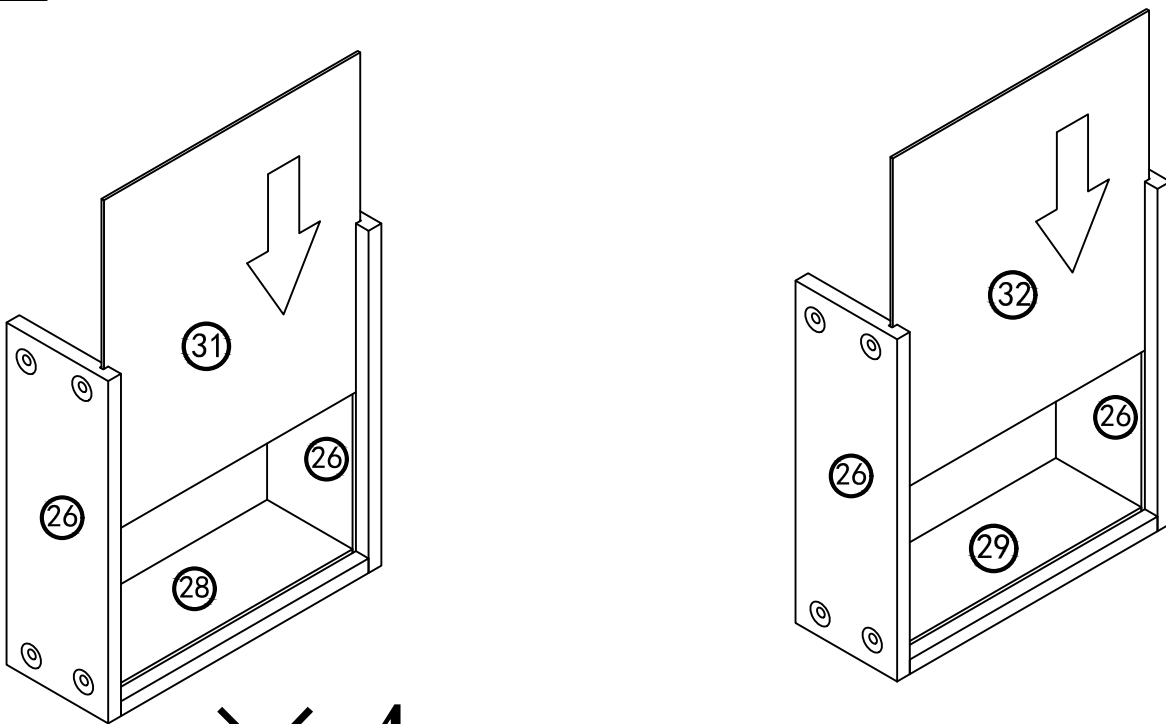
× 2

A2



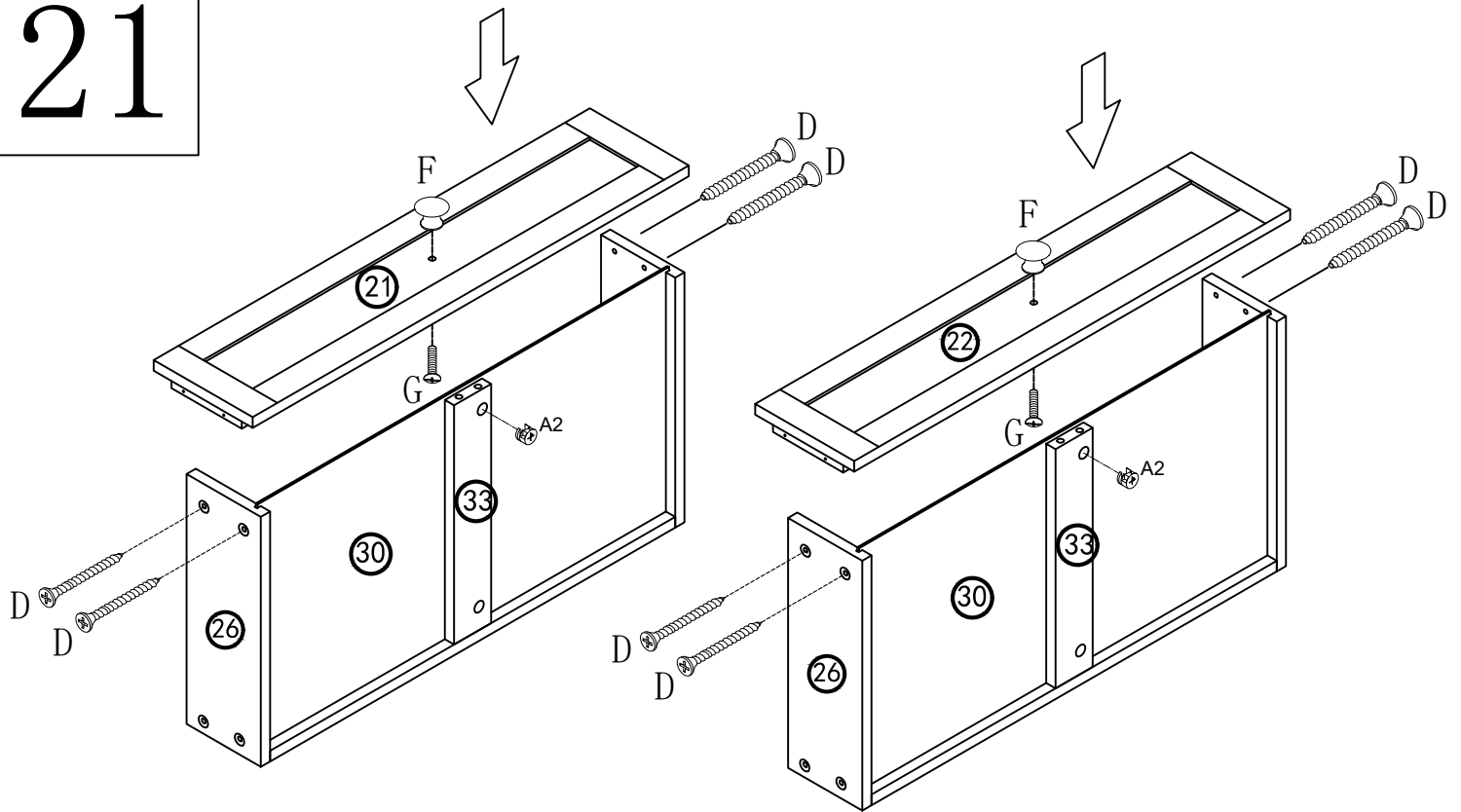
2PCS





20



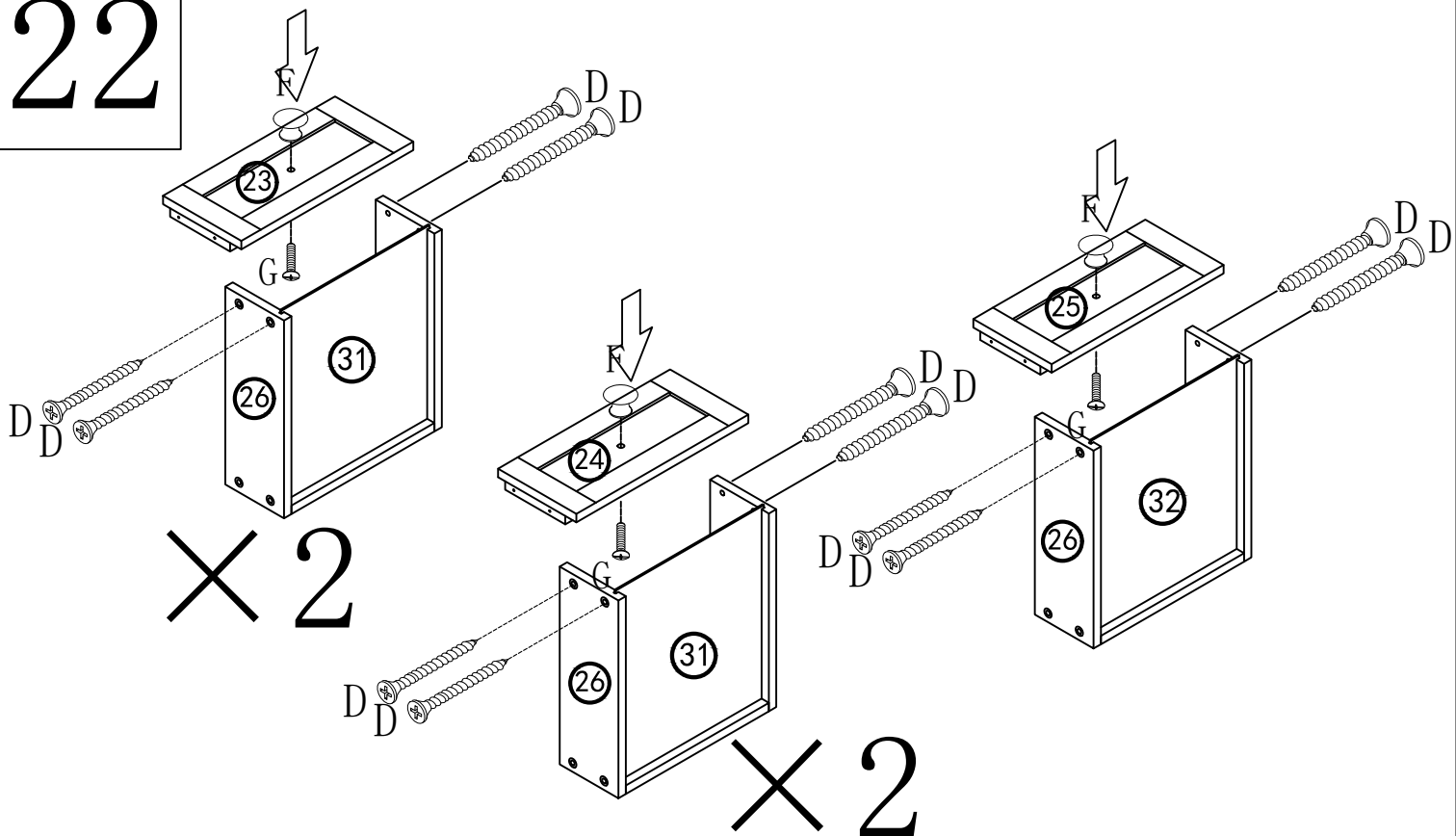
× 4


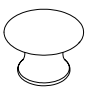

21



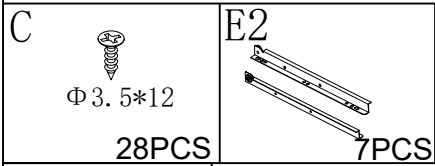
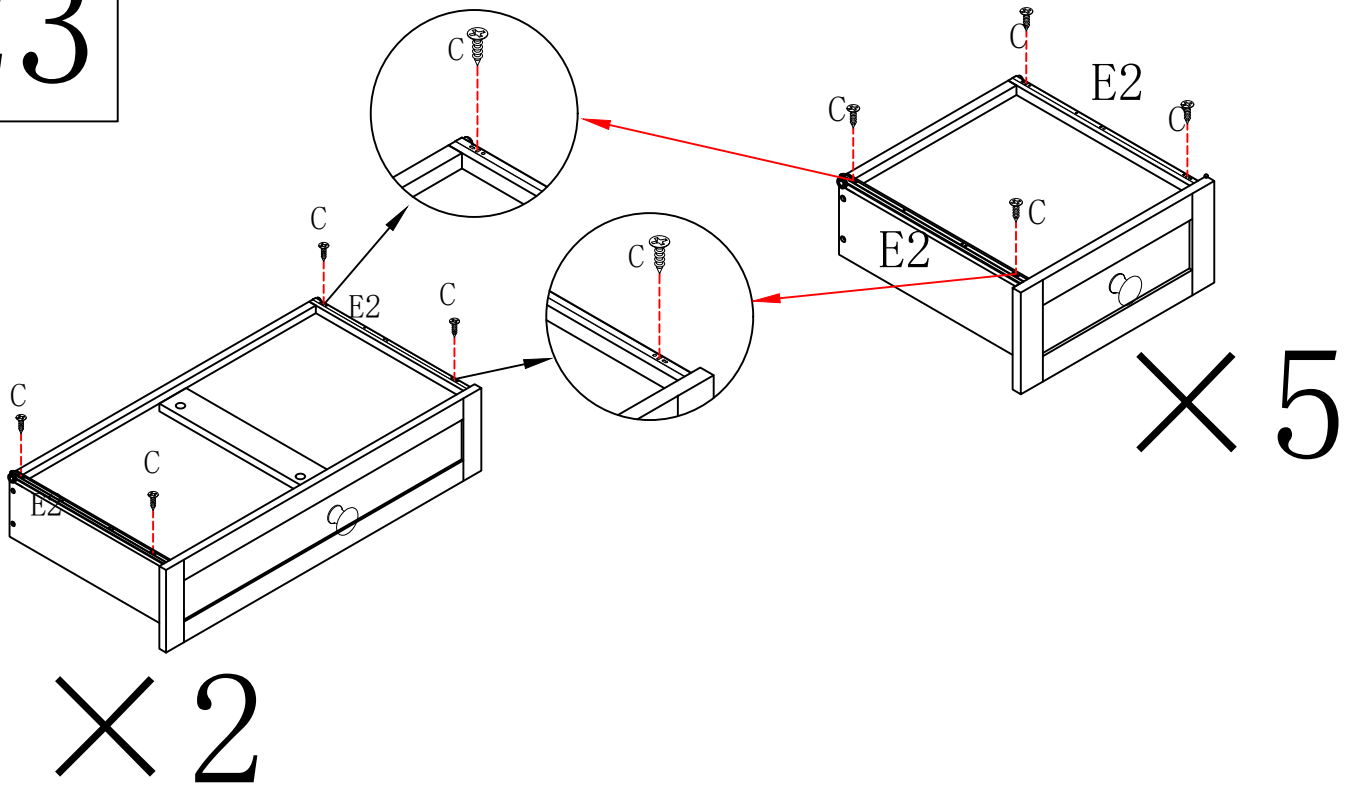
<p>D</p>  <p>Φ 4*25</p> <p>8PCS</p>	<p>A2</p>  <p>2PCS</p>	<p>F</p>  <p>2PCS</p>	<p>G</p>  <p>Φ 4*30</p> <p>2PCS</p>
--	--	---	---

22



<p>D</p>  <p>Φ 4*25</p> <p>20PCS</p>	<p>F</p>  <p>5PCS</p>	<p>G</p>  <p>Φ 4*30</p> <p>5PCS</p>
--	--	--

23



24

