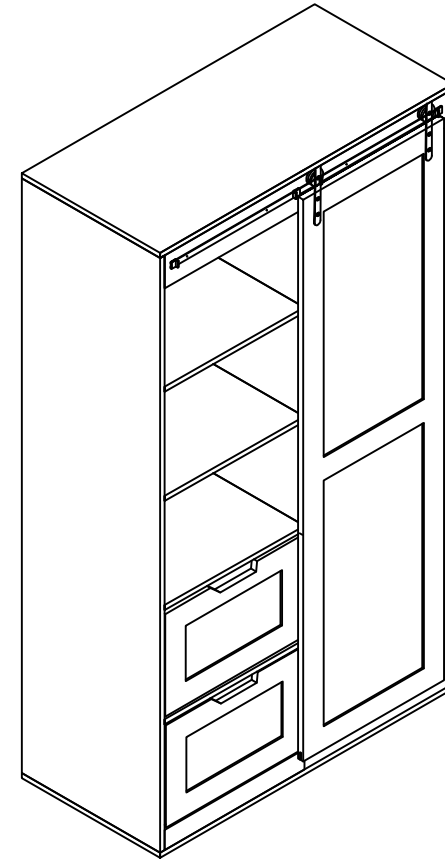


# Assembly Instructions



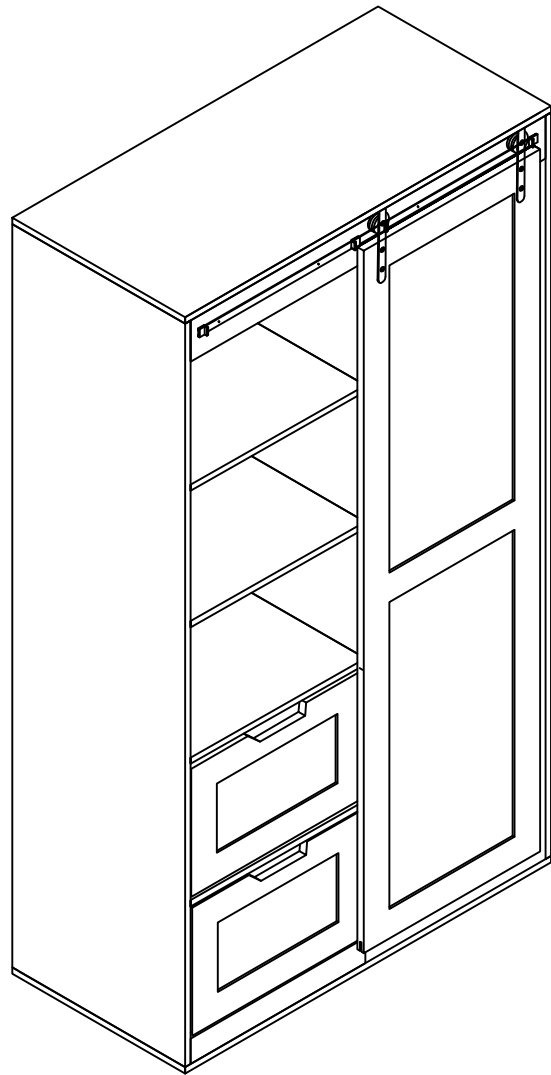
Thank you for your purchase.



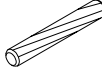
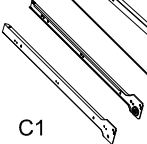
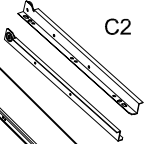
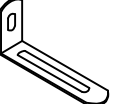
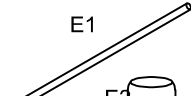



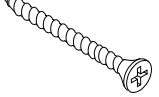
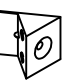

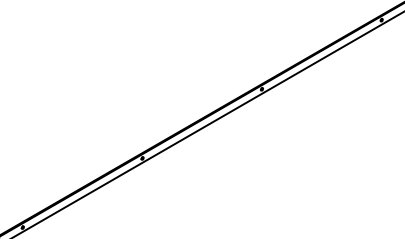




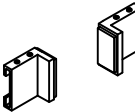
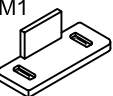


Please follow the instructions below for correct assembly.

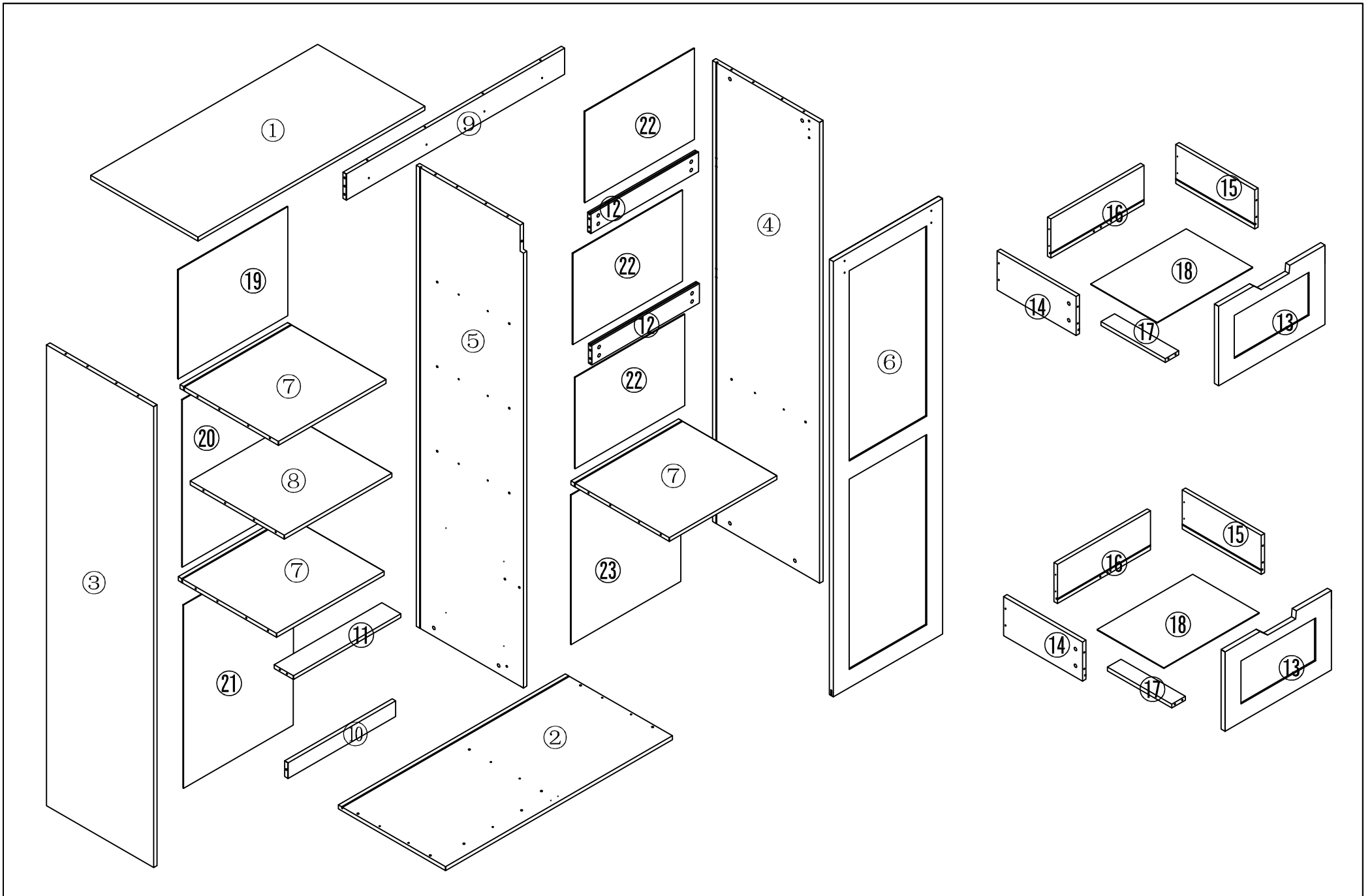
▲ For higher efficiency, we recommend to use a power drill; the power drill should be set on the low speed to avoid screw stripping.

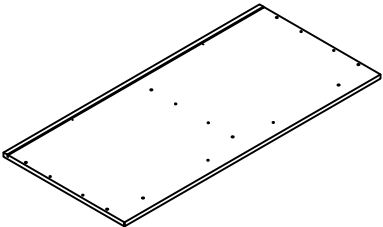
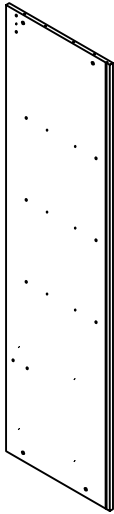
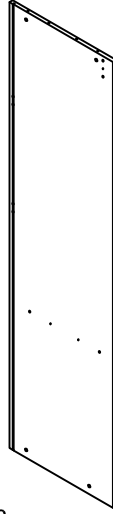
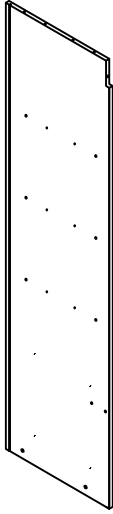
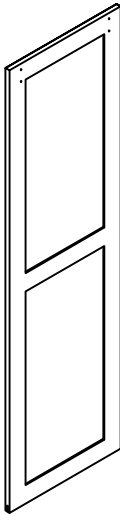
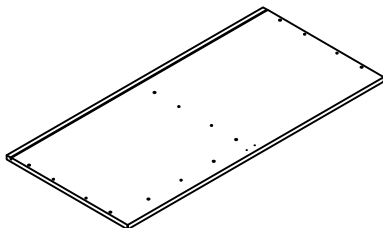
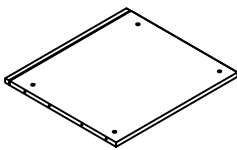
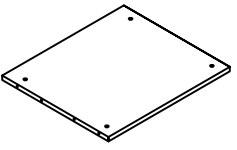
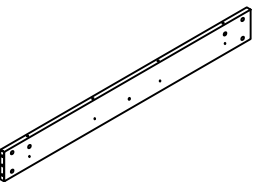
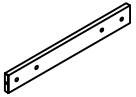
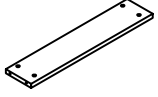
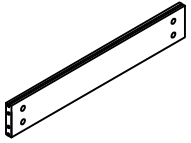
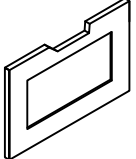
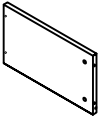
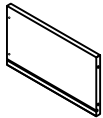
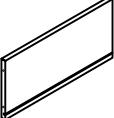

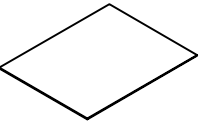
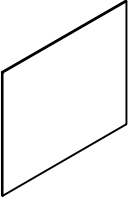
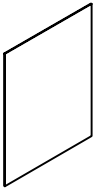
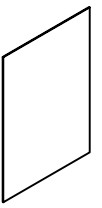
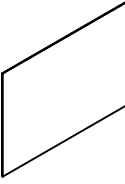
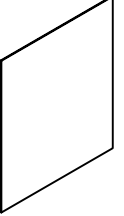
▲ CAUTION

This package contains small parts and hardware; keep it from children to avoid accidental swallowing



 A1  A2	 $\Phi 8 \times 40$	 C1  C2	 $\Phi 6 \times 30$
A 59pcs	B 41pcs	C 2pcs	D 2pcs
 E1  E2  E3	 $\Phi 3.5 \times 14$	 $\Phi 3.5 \times 35$	 H1  H2 $\Phi 3 \times 14$
E 1pcs	F 22pcs	G 8pcs	H 24pcs
		 J1  J2 $M6 \times 30$	 K1  K2 $M6 \times 50$
I 1pcs		J 2pcs	K 4pcs
	 M1  M2 $\Phi 3.5 \times 14$ -BLACK		
L 1pcs	M 1pcs	N 59pcs	



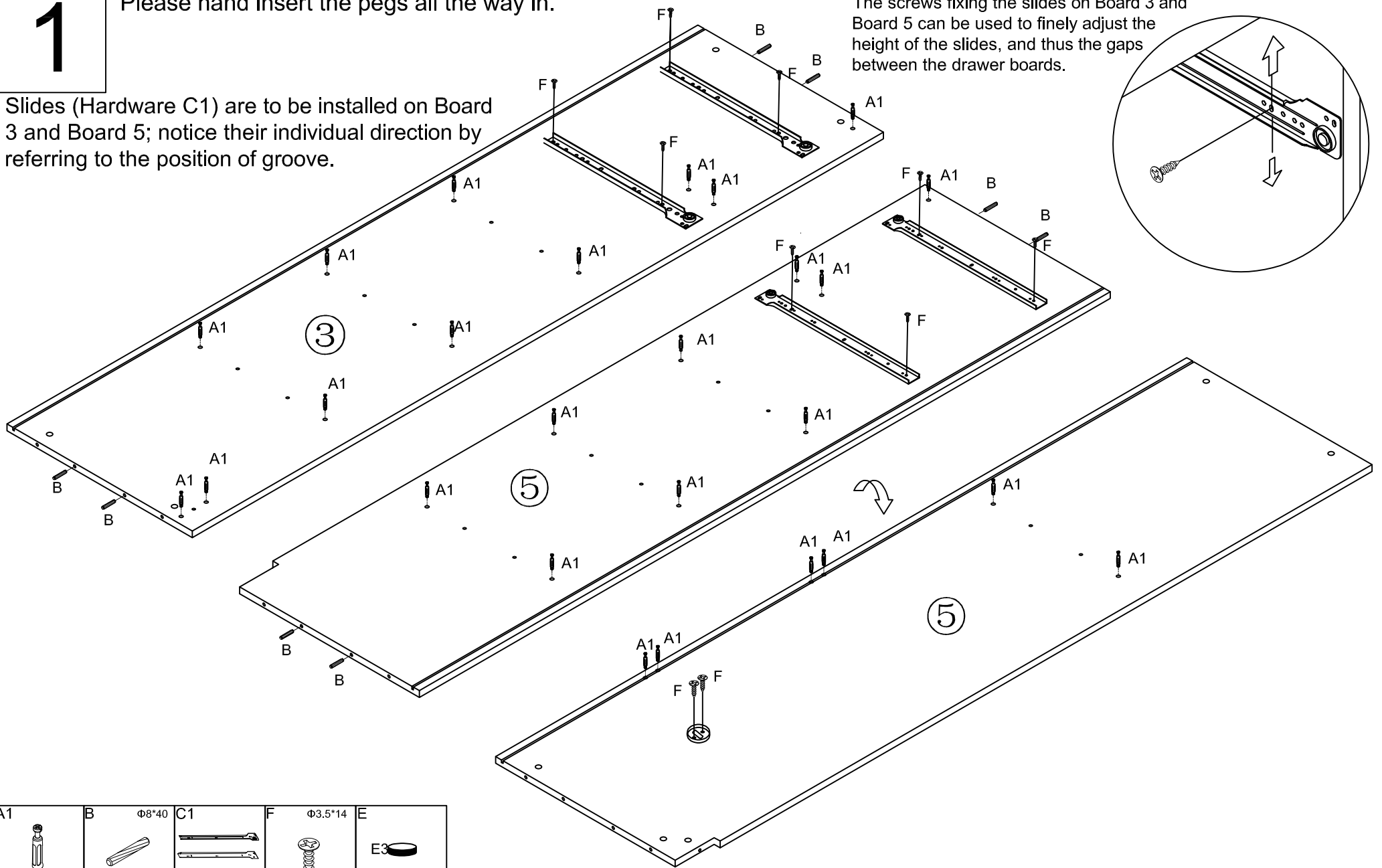
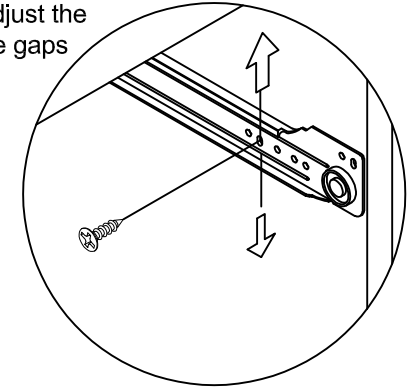
<p>①</p>  <p>1006*475*18mm 1 PCS</p>	<p>③</p>  <p>1770*475*18mm 1 PCS</p>	<p>④</p>  <p>1770*475*18mm 1 PCS</p>	<p>⑤</p>  <p>1770*436*15mm 1 PCS</p>	<p>⑥</p>  <p>1672*484*18mm 1 PCS</p>
<p>②</p>  <p>1006*475*18mm 1 PCS</p>	<p>⑦</p>  <p>476.5*436*15mm 3 PCS</p>	<p>⑧</p>  <p>476.5*417*15mm 1 PCS</p>	<p>⑨</p>  <p>968*100*15mm 1 PCS</p>	<p>⑩</p>  <p>476.5*60*15mm 1 PCS</p>
<p>⑪</p>  <p>476.5*100*15mm 1 PCS</p>	<p>⑫</p>  <p>476.5*85*15mm 2 PCS</p>	<p>⑬</p>  <p>471.5*305*18mm 2 PCS</p>	<p>⑭</p>  <p>350*200*15mm 2 PCS</p>	<p>⑮</p>  <p>350*200*15mm 2 PCS</p>
<p>⑯</p>  <p>421.5*200*15mm 2 PCS</p>	<p>⑰</p>  <p>335*60*15mm 2 PCS</p>	<p>⑱</p>  <p>431.5*345*3mm 2 PCS</p>	<p>⑲</p>  <p>419*486*3mm 1 PCS</p>	<p>⑳</p>  <p>643*486*3mm 1 PCS</p>
<p>㉑</p>  <p>704*486*3mm 1 PCS</p>	<p>㉒</p>  <p>350*486*3mm 3 PCS</p>	<p>㉓</p>  <p>574*486*3mm 1 PCS</p>		

# 1

Please hand insert the pegs all the way in.

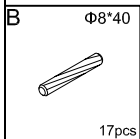
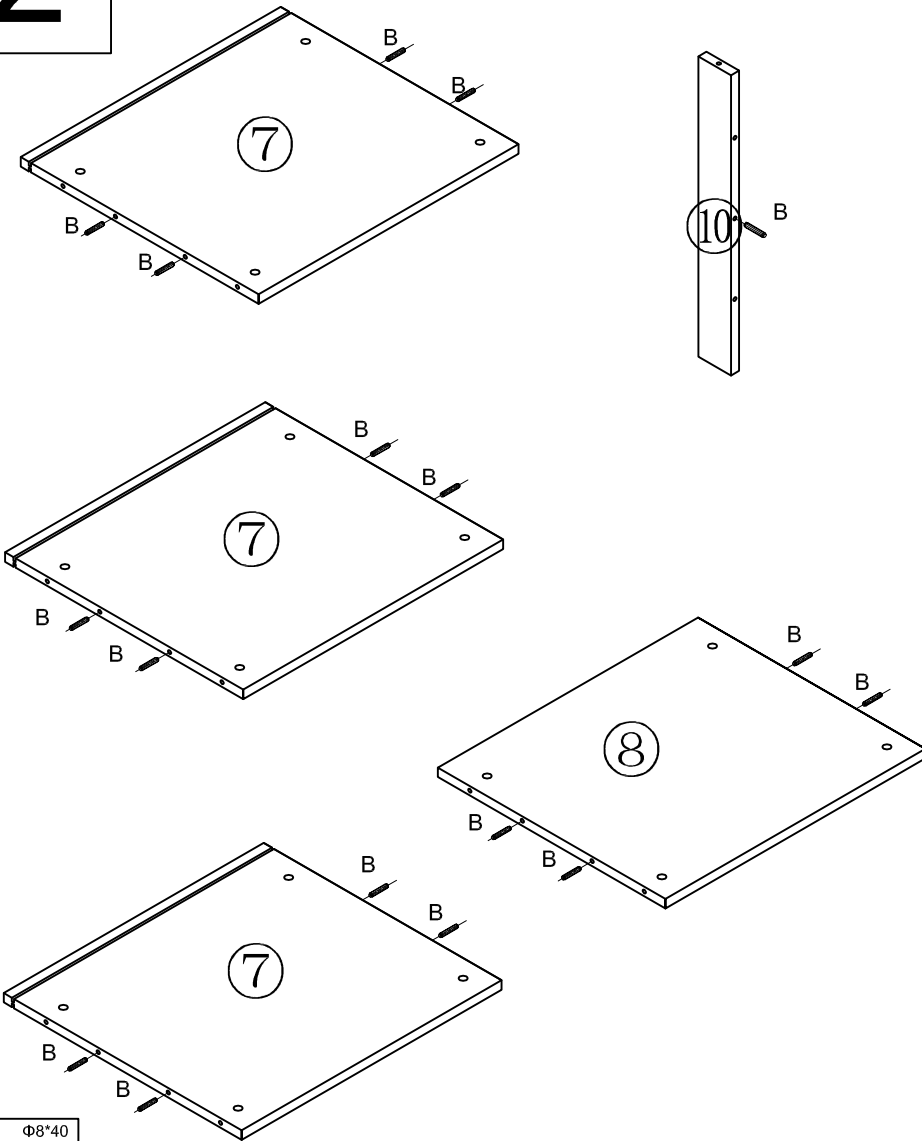
Slides (Hardware C1) are to be installed on Board 3 and Board 5; notice their individual direction by referring to the position of groove.

The screws fixing the slides on Board 3 and Board 5 can be used to finely adjust the height of the slides, and thus the gaps between the drawer boards.



A1	B	Φ8*40	C1	F	Φ3.5*14	E
26pcs	8pcs		2pcs	10pcs		1pcs

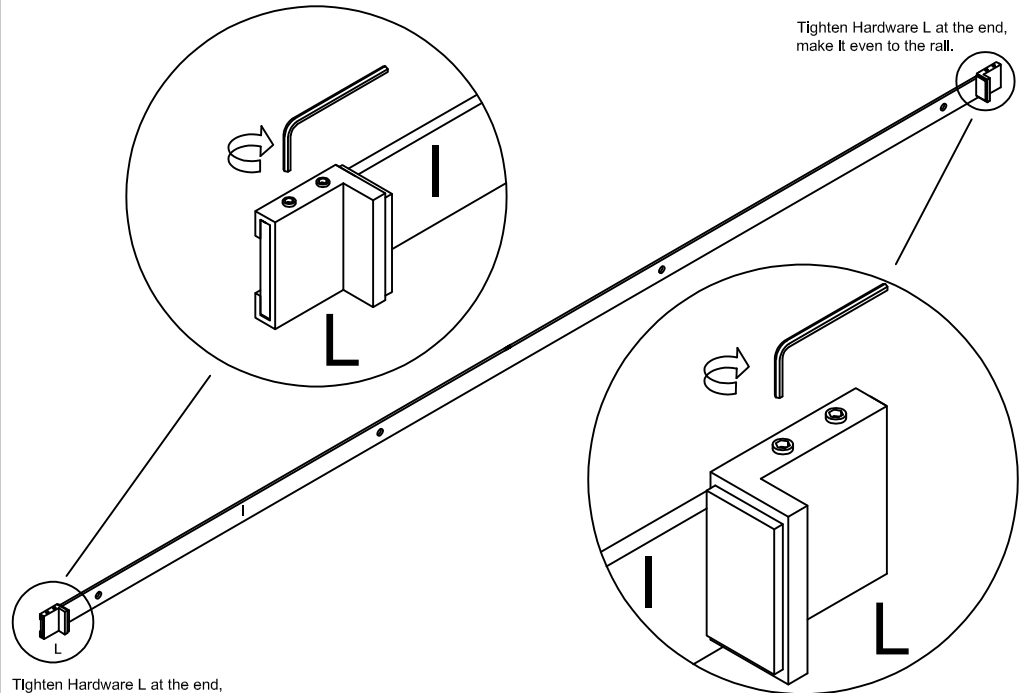
# 2



# 3

Note: Pay attention the direction of Hardware L when assembling.  
The Hardware L is a door restrictor.

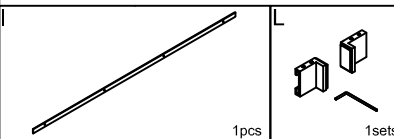
Tighten the set of Hardware L at both ends of the rail,  
make sure it is locked on both ends.



Tighten Hardware L at the end,  
make it even to the rail.

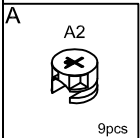
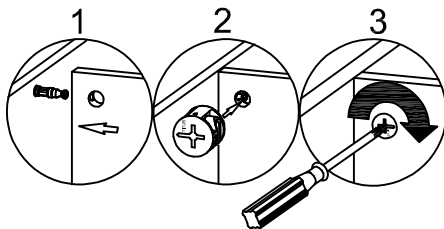
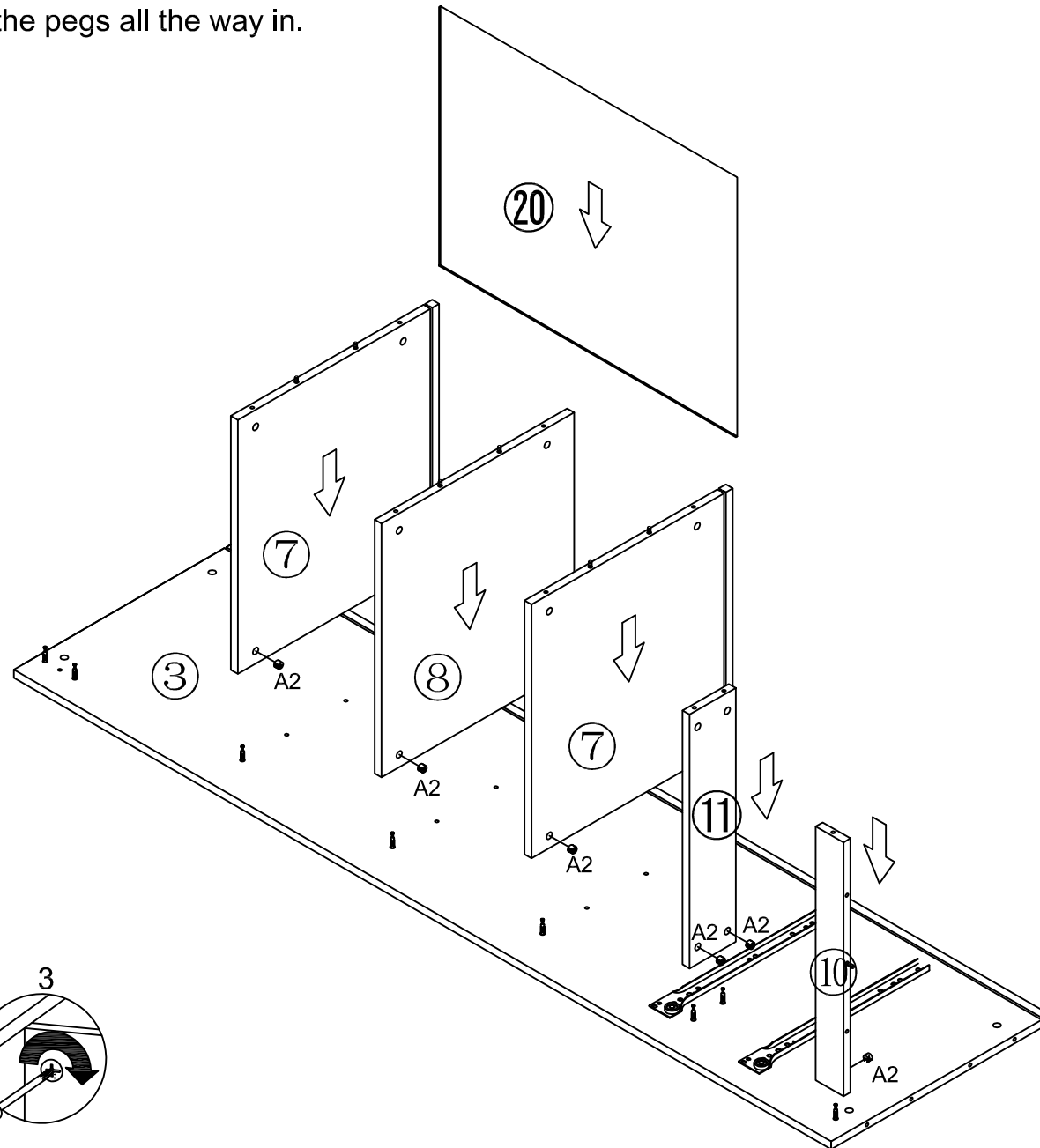
Tighten Hardware L at the end,  
make it even to the rail.

Tighten the set of Hardware L at both ends of the rail,  
make sure it is locked on both ends.



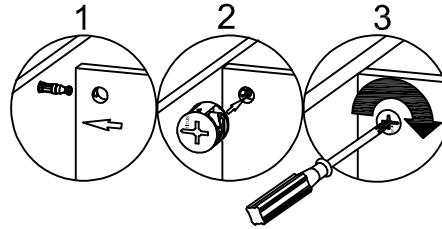
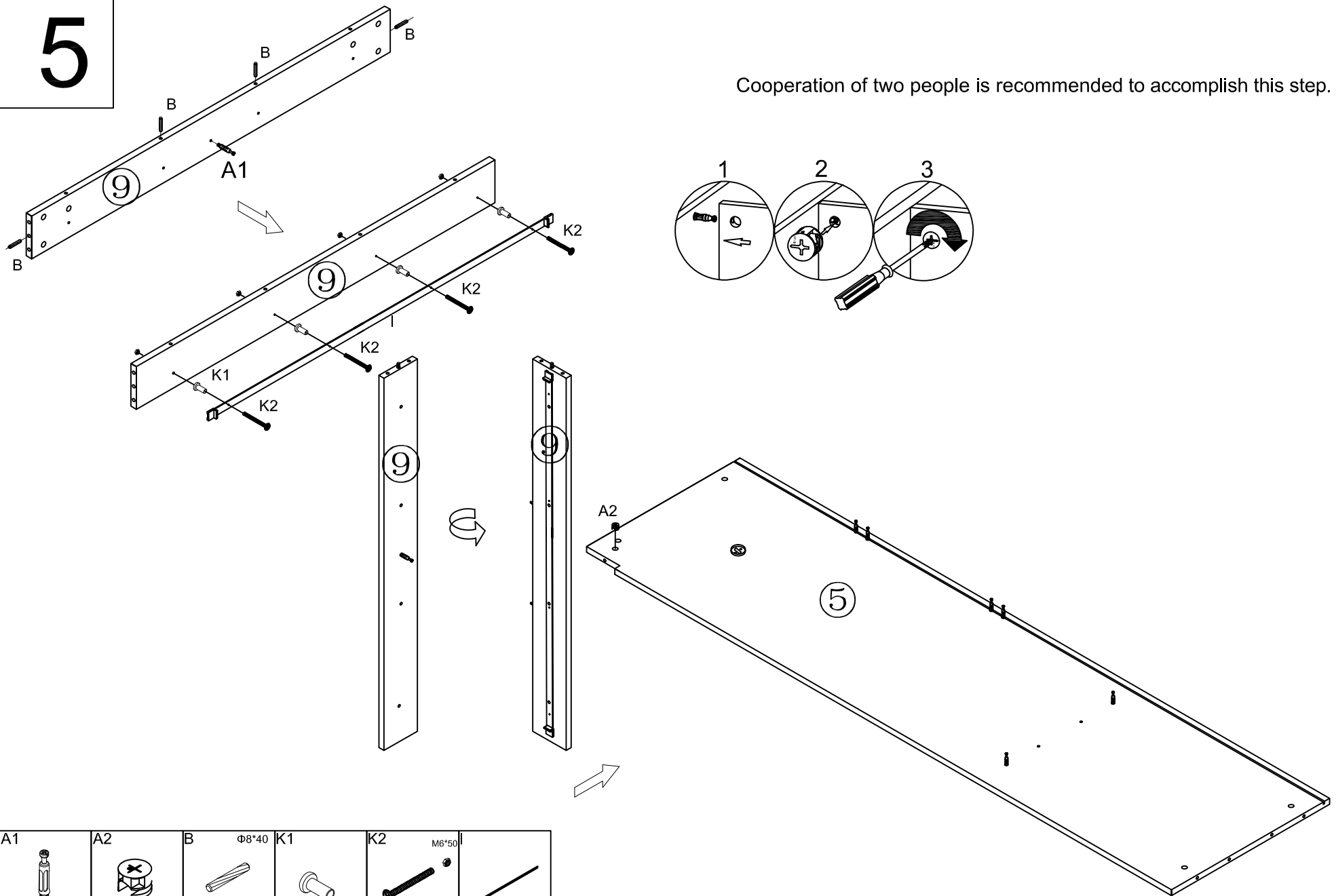
# 4



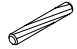



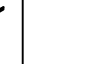

Please hand insert the pegs all the way in.



# 5

Cooperation of two people is recommended to accomplish this step.

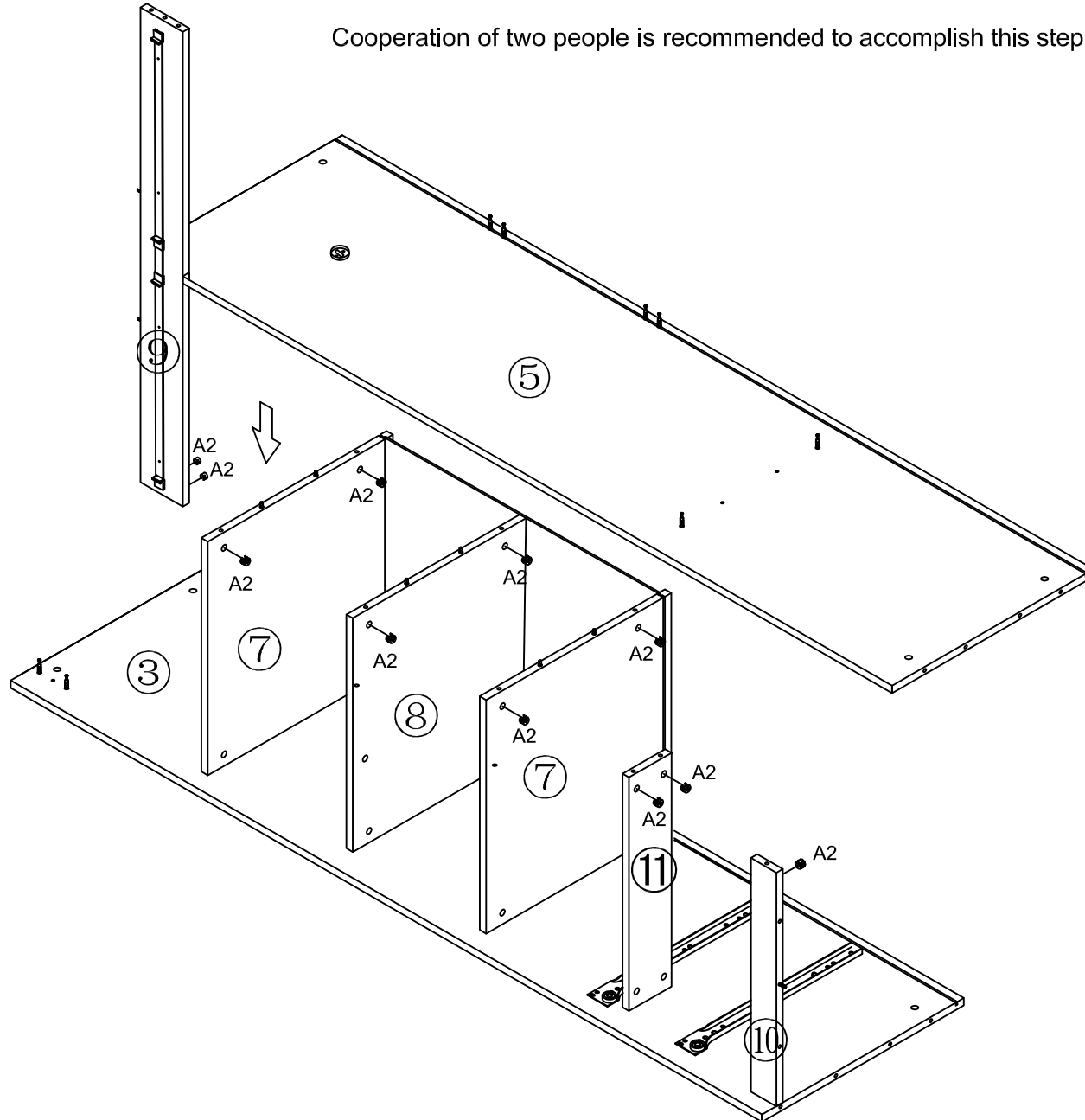
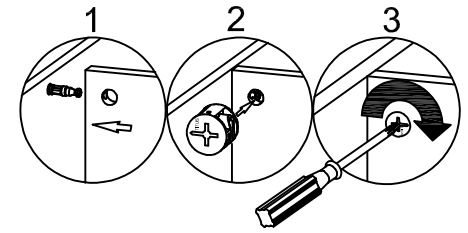


A1	A2	B	$\Phi 8 \times 40$	K1	K2	M6*50	
							
1pcs	1pcs	4pcs	4pcs	4pcs	4pcs	1pcs	



# 6

Cooperation of two people is recommended to accomplish this step.



A2

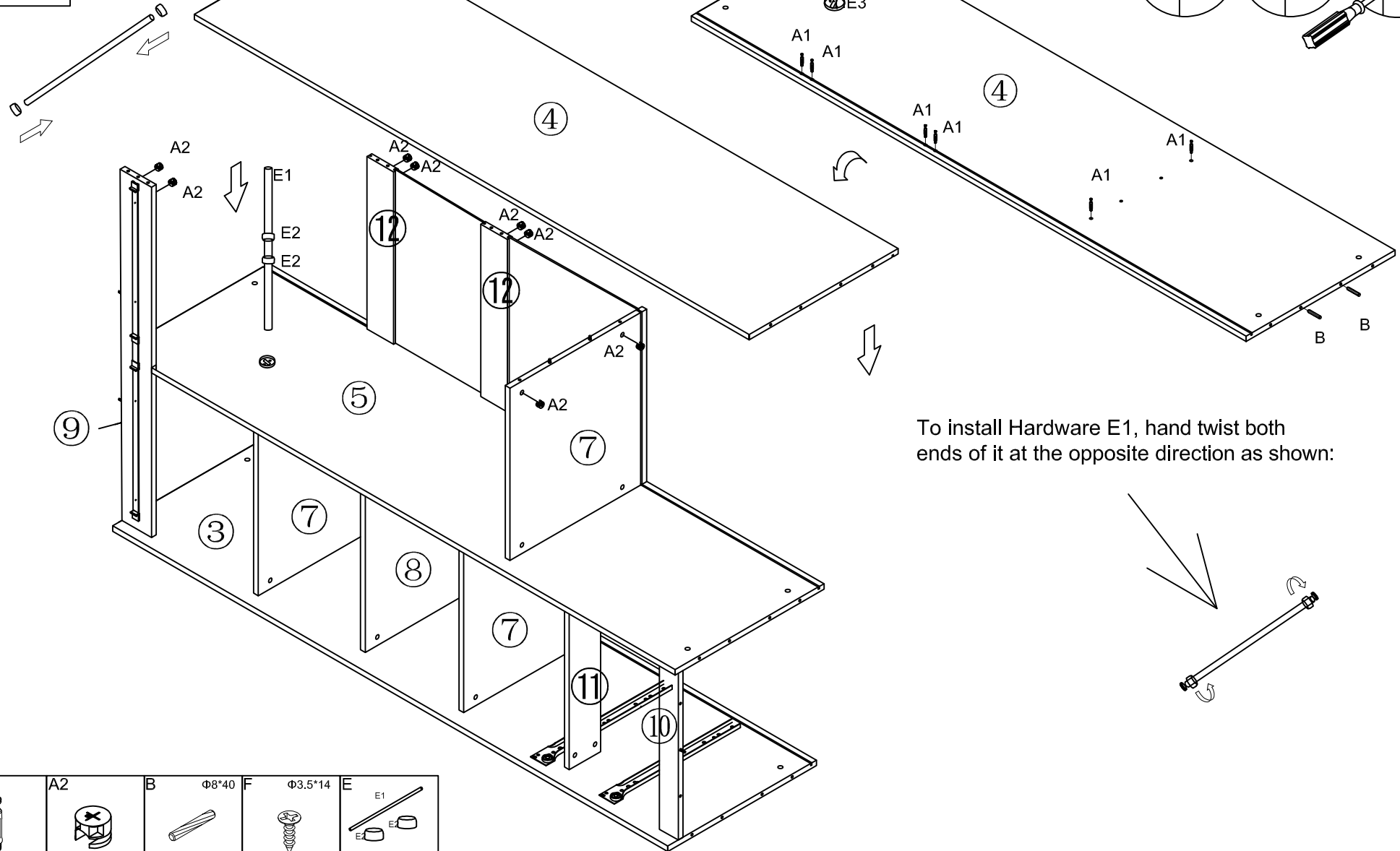
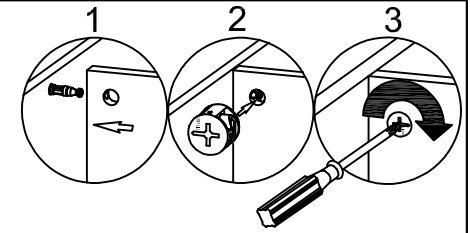


11pcs



# 8

Cooperation of two people is recommended to accomplish this step.

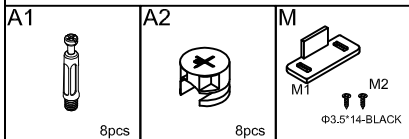
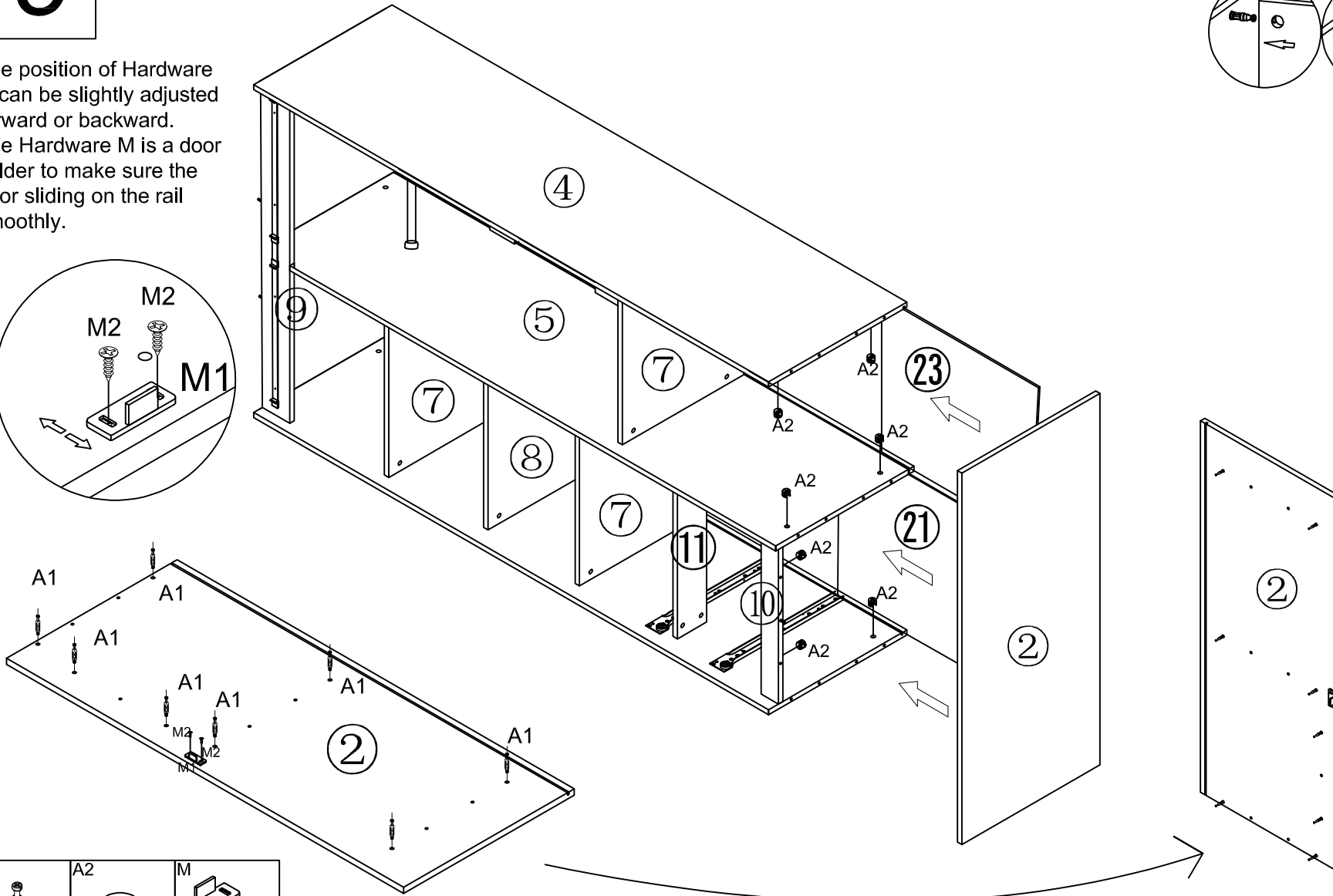
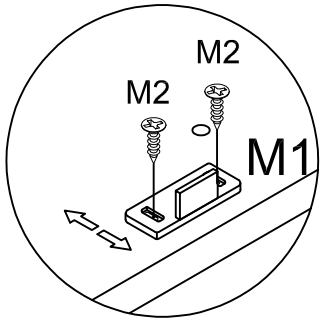
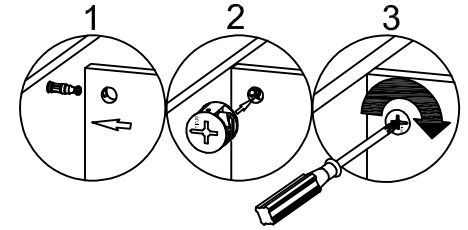


To install Hardware E1, hand twist both ends of it at the opposite direction as shown:

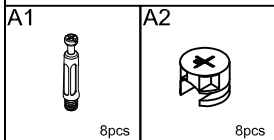
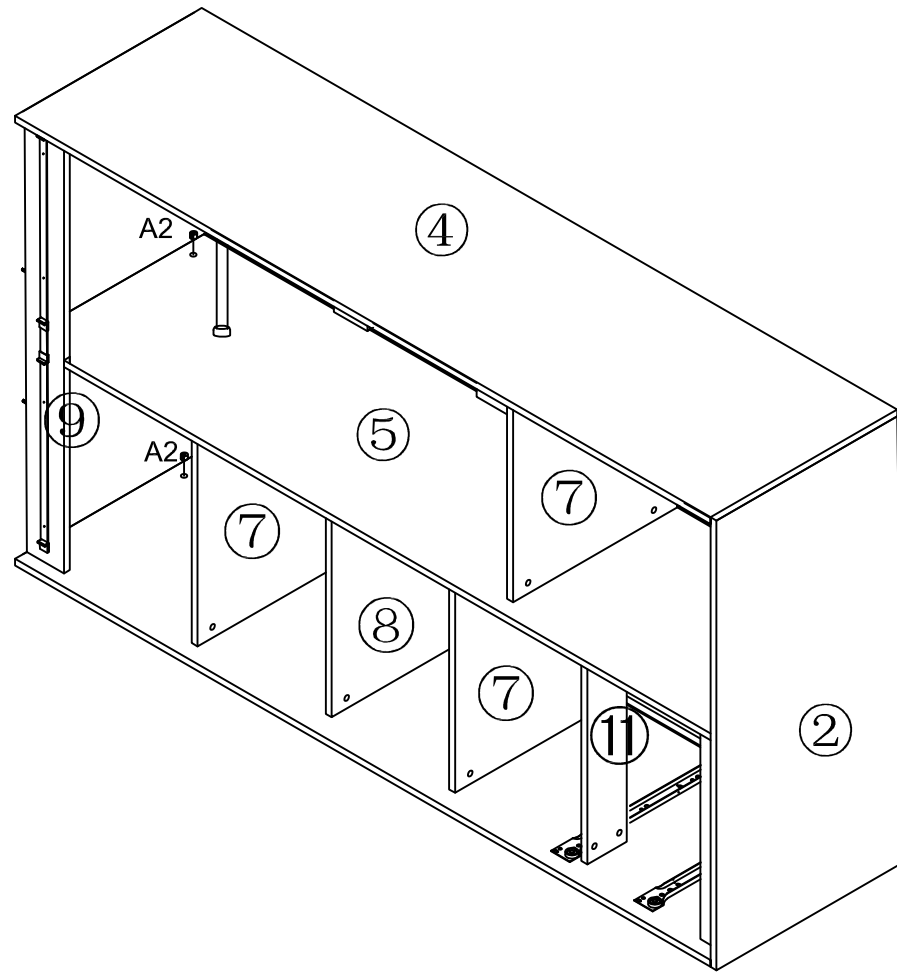
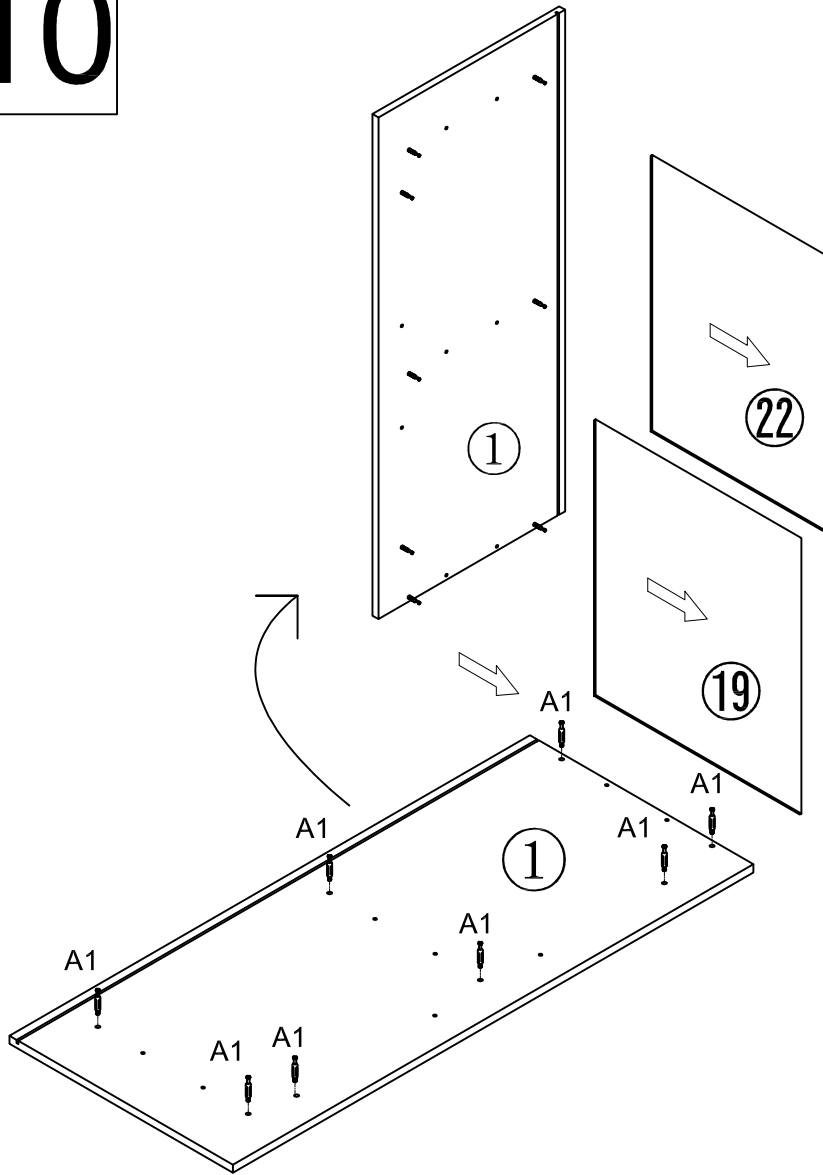
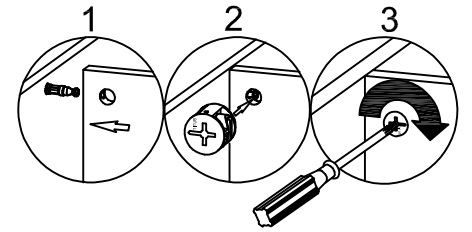
A1	A2	B	Φ8*40	F	Φ3.5*14	E
8pcs	8pcs	4pcs		2pcs		1pcs

# 9

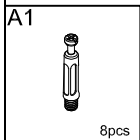
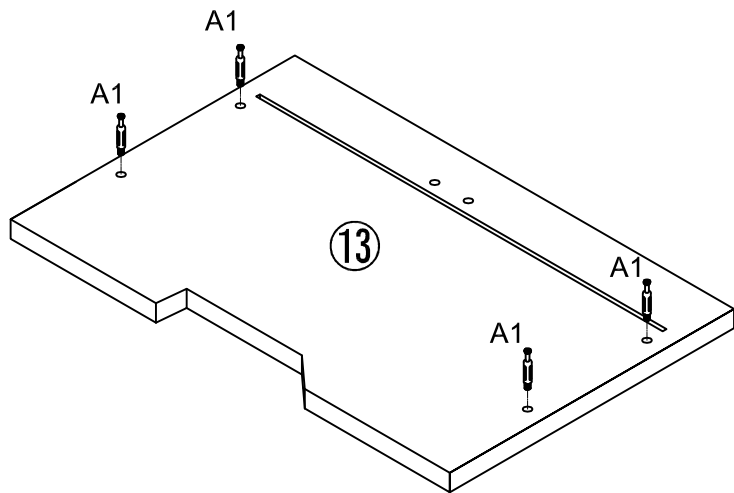
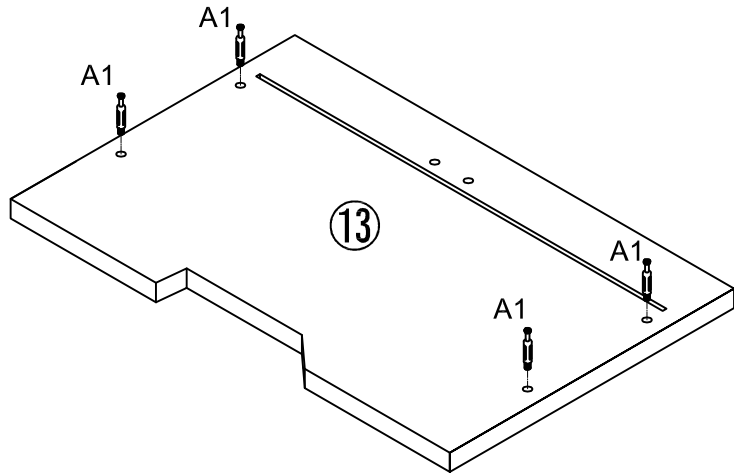
The position of Hardware M can be slightly adjusted forward or backward.  
The Hardware M is a door holder to make sure the door sliding on the rail smoothly.



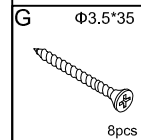
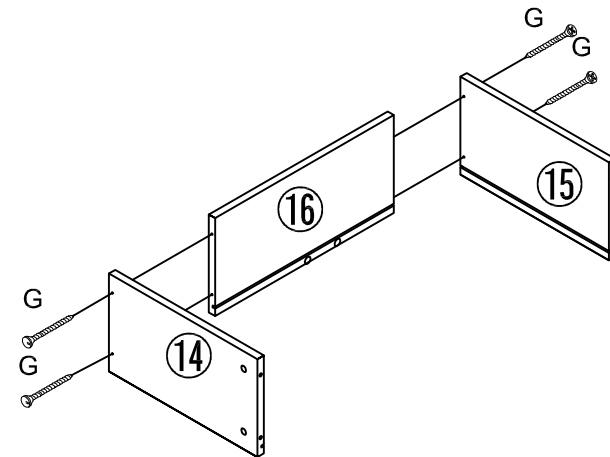
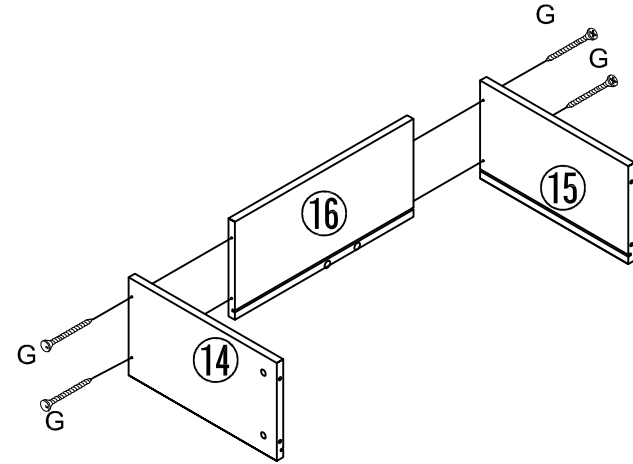
# 10



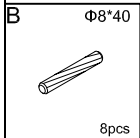
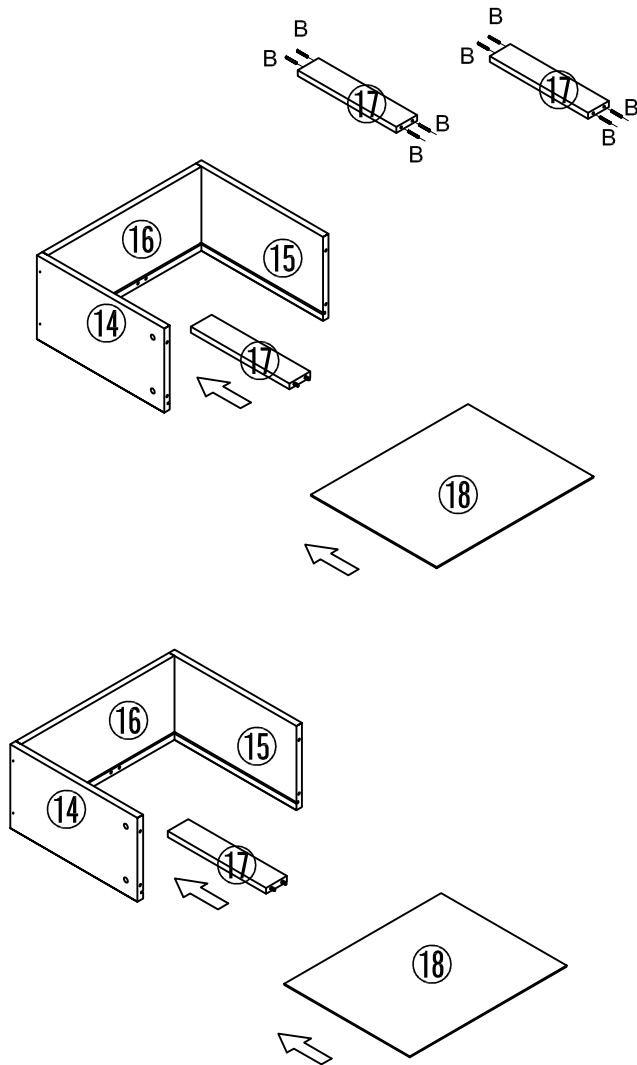
# 11



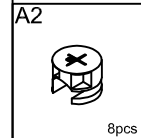
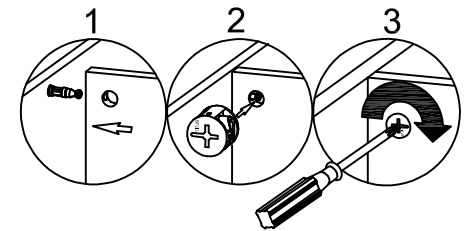
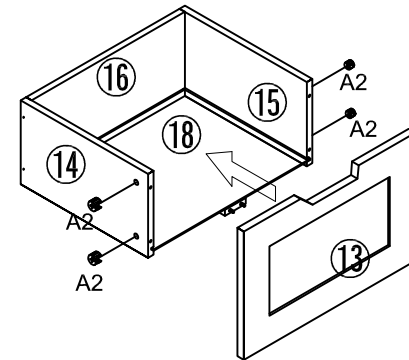
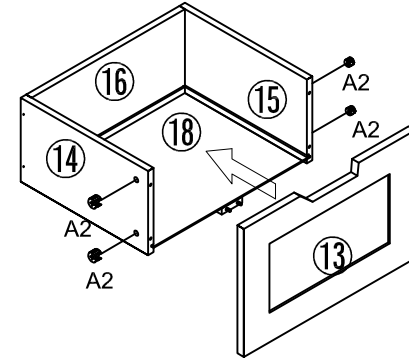
# 12



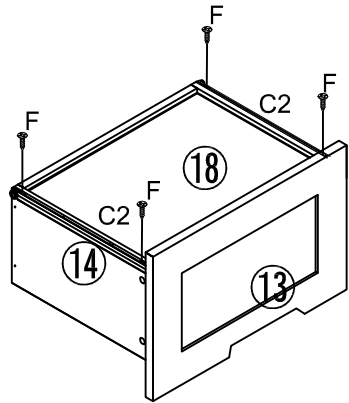
# 13



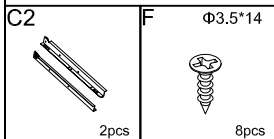
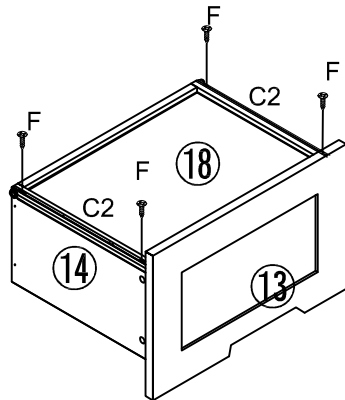
# 14



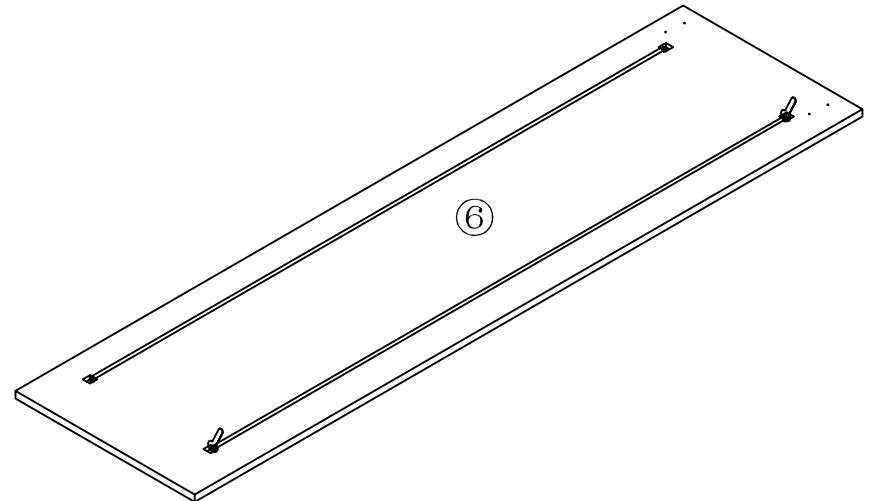
# 15



When install the Hardware C2, make sure the roller is positioned at the corner of the drawer and facing outward before screwing.



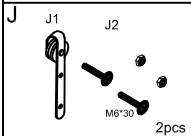
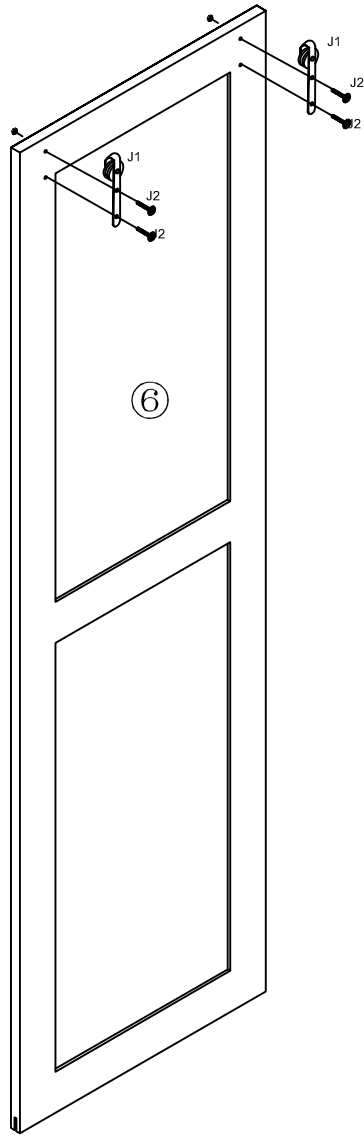
# 16



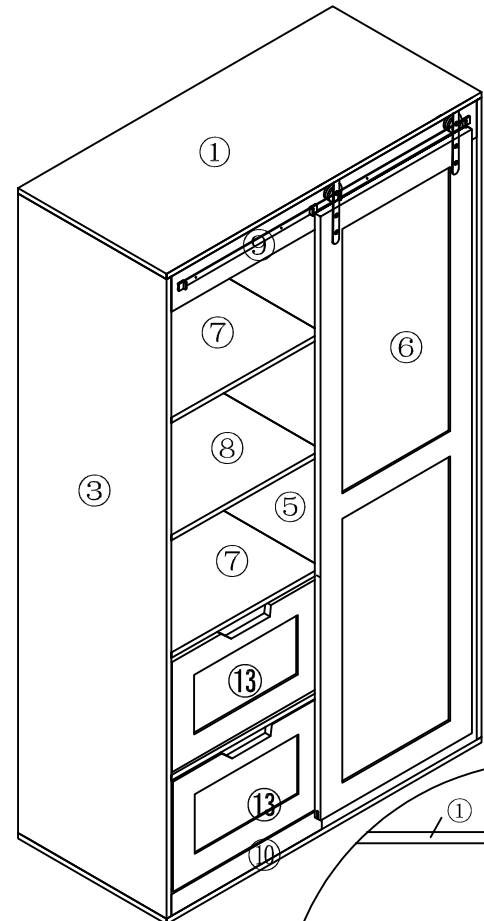
Use a wrench to fix the bottom end, then turn the upper end clockwise or counter-clockwise to unbend Board 6.



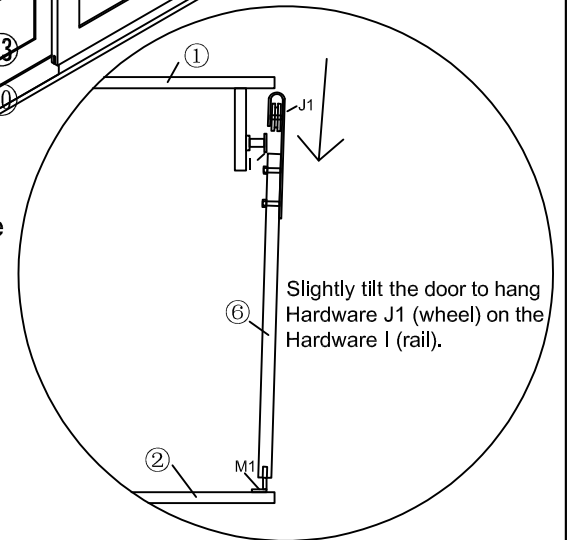
# 17



# 18

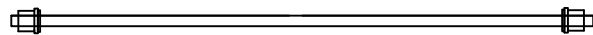
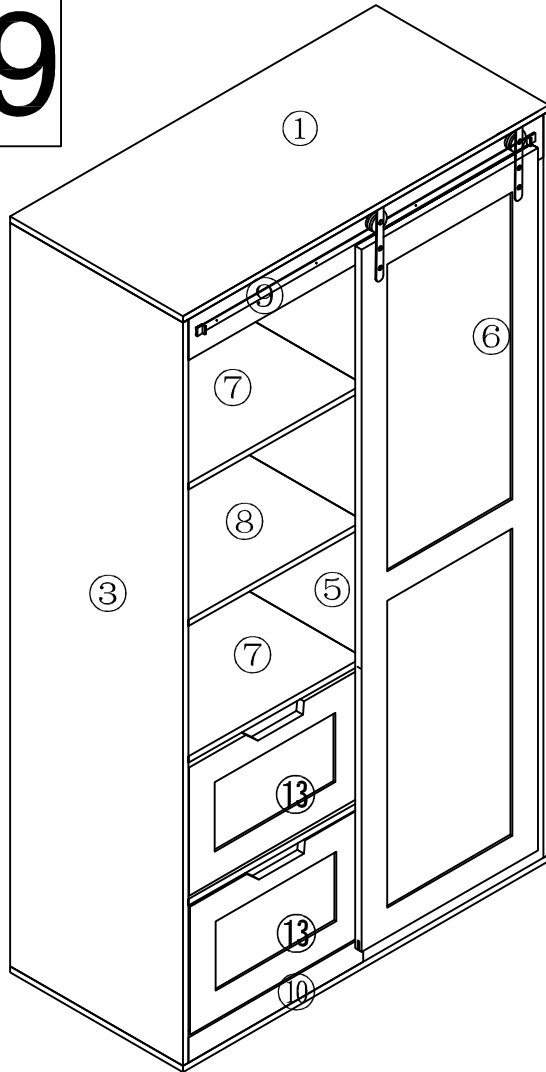


Make sure the bottom of the door resting at the inner side of Hardware M1, then hang Hardware J1 (wheel) on the Hardware I (rail).



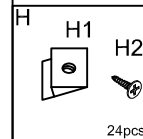
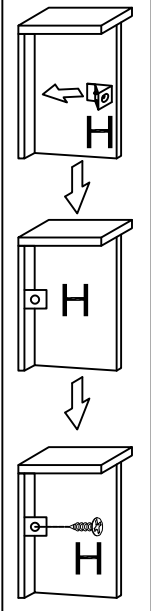
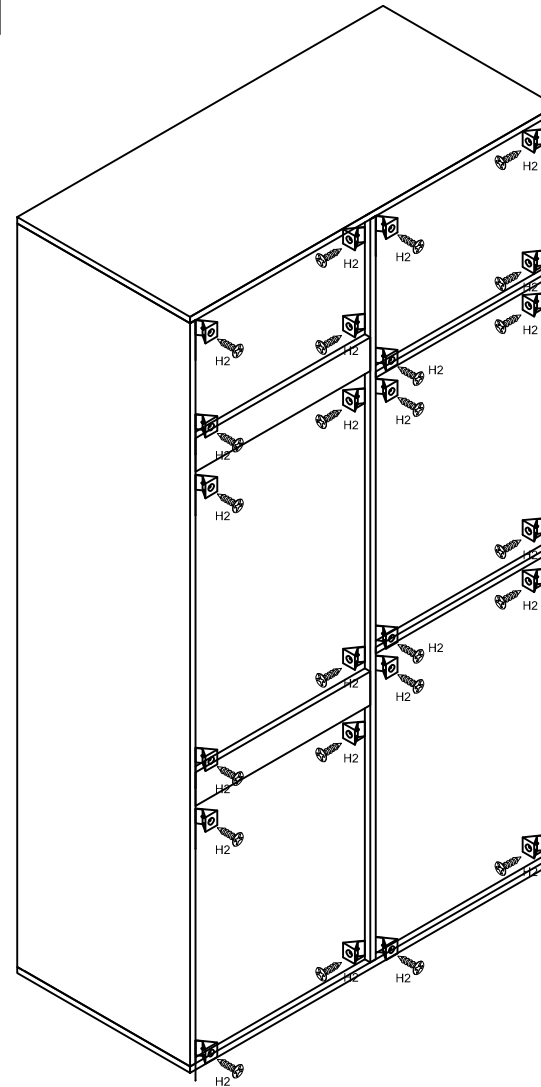
Slightly tilt the door to hang Hardware J1 (wheel) on the Hardware I (rail).

# 19

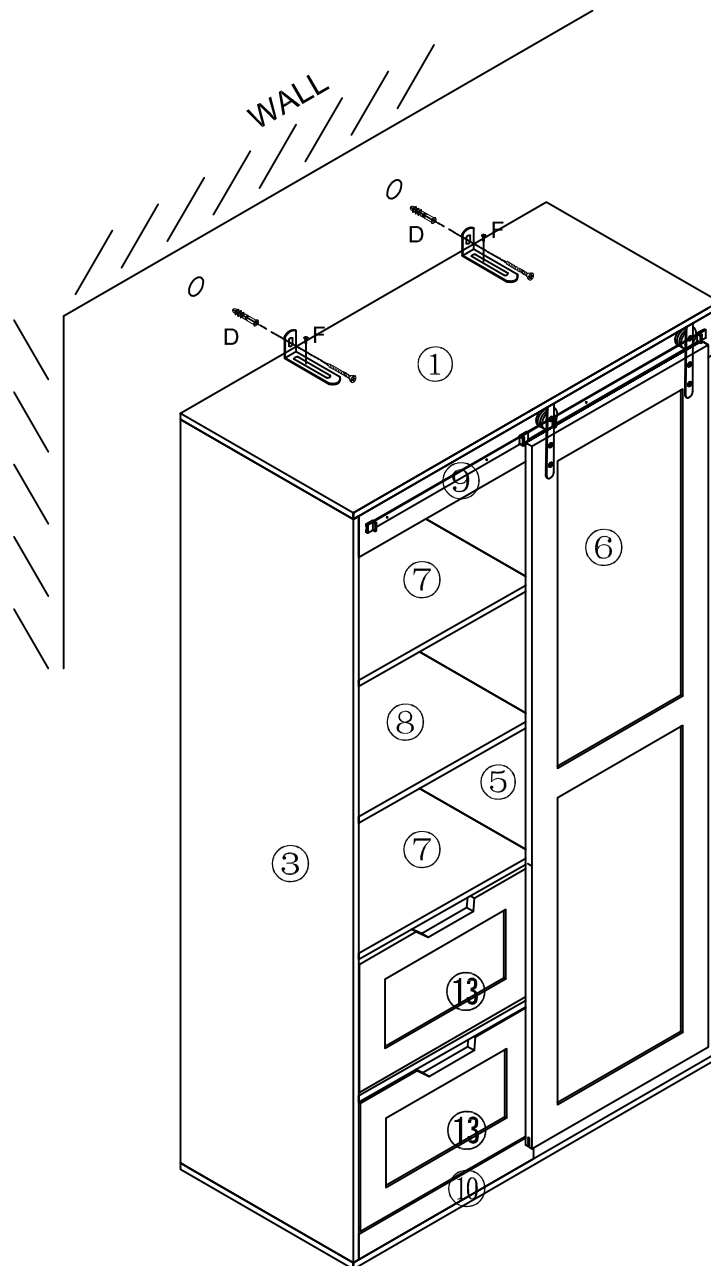


The function of the set of Hardware L at both ends is to restrict the doors from sliding too far to bump the side boards. Slight adjustment of two sets of Hardware L is at your discretion.

# 20



# 21



D is the kit of Safety Wall Anchor, installed to reduce the risk of tipping over.

The screws fixing the slides on Board 3 and Board 5 can be used to finely adjust the height of the slides, and thus the gaps between the drawer boards.

