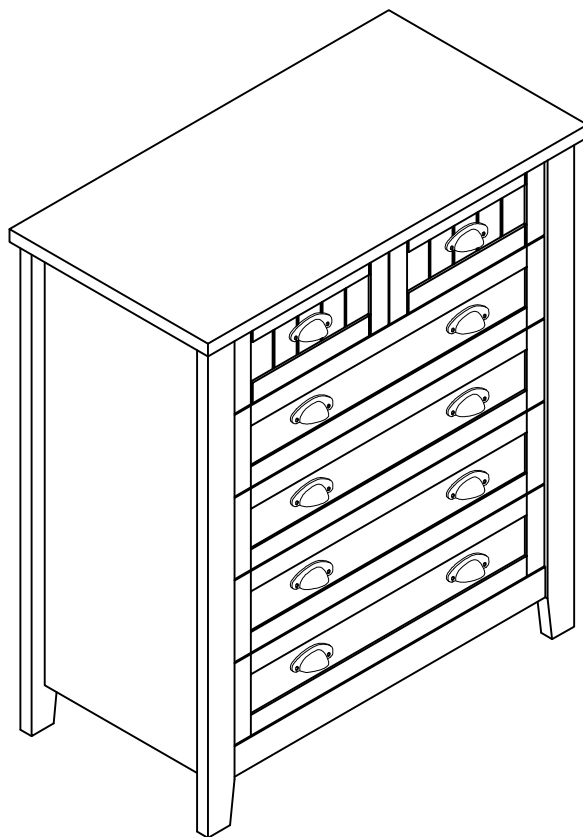


Assembly Instructions



Thank you for your purchase.

Please follow the instructions below for correct assembly.

▲ For higher efficiency, we recommend to use a power drill; the power drill should be set on the low speed to avoid screw stripping.

CAUTION

This package contains small parts and hardware; keep it from children to avoid accidental swallowing.



WARNING: Any furniture that is not anchored to a wall has the risk of tipping over in certain circumstances, i.e. when a child attempts to climb up on the furniture or in the event of an earthquake. Accordingly, we recommend that all furniture is anchored to a wall. We supply a free safety wall anchor with all furniture sold and we recommend these are used to prevent your product from tipping over.

Disclaimer

All information provided in this manual, including but not limited to notes, pictures, instructions, schematic diagrams, assembly procedures and safety precautions, etc., is in good faith and every reasonable effort has been made to ensure that the provided information is proper, correct and accurate to the best of the manufacturer's knowledge.

Under no circumstance shall the manufacturers, the distributors, the sales agents and the associates, contractors and employees of the above organizations be held liable for any direct, indirect, consequential or incidental losses, damages, injuries or accidents of any kind incurred as a result of the assembly, adjustment and use of the furniture contained in this box. By reading this manual and decide to proceed, you are deemed to agree to accept full personal responsibility and liability for any possible personal injury or damage you suffer from your actions, directly or indirectly, arising out of or in connections with the assembly, adjustment and use of the furniture.



Caution!

Personal injury can occur during the assembly and adjustment of the furniture contained in this box. You will be solely responsible for your personal safety.

PPE Recommendations

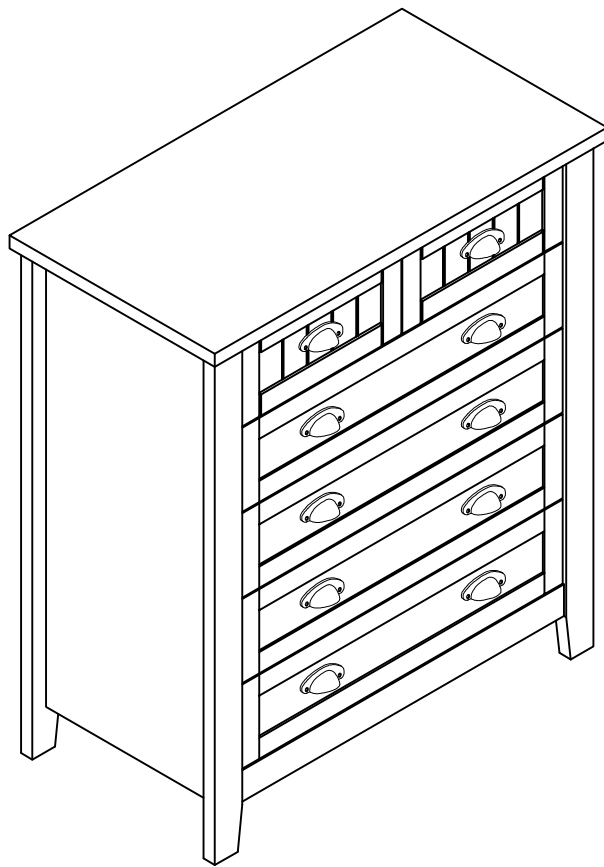
Proper PPEs (Personal Protection Equipment) are recommended to use during assembly and adjustment of the furniture.

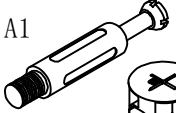

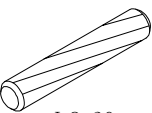

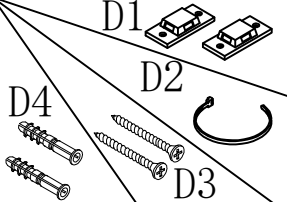
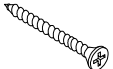


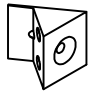
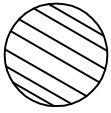
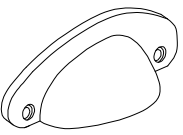

Gloves

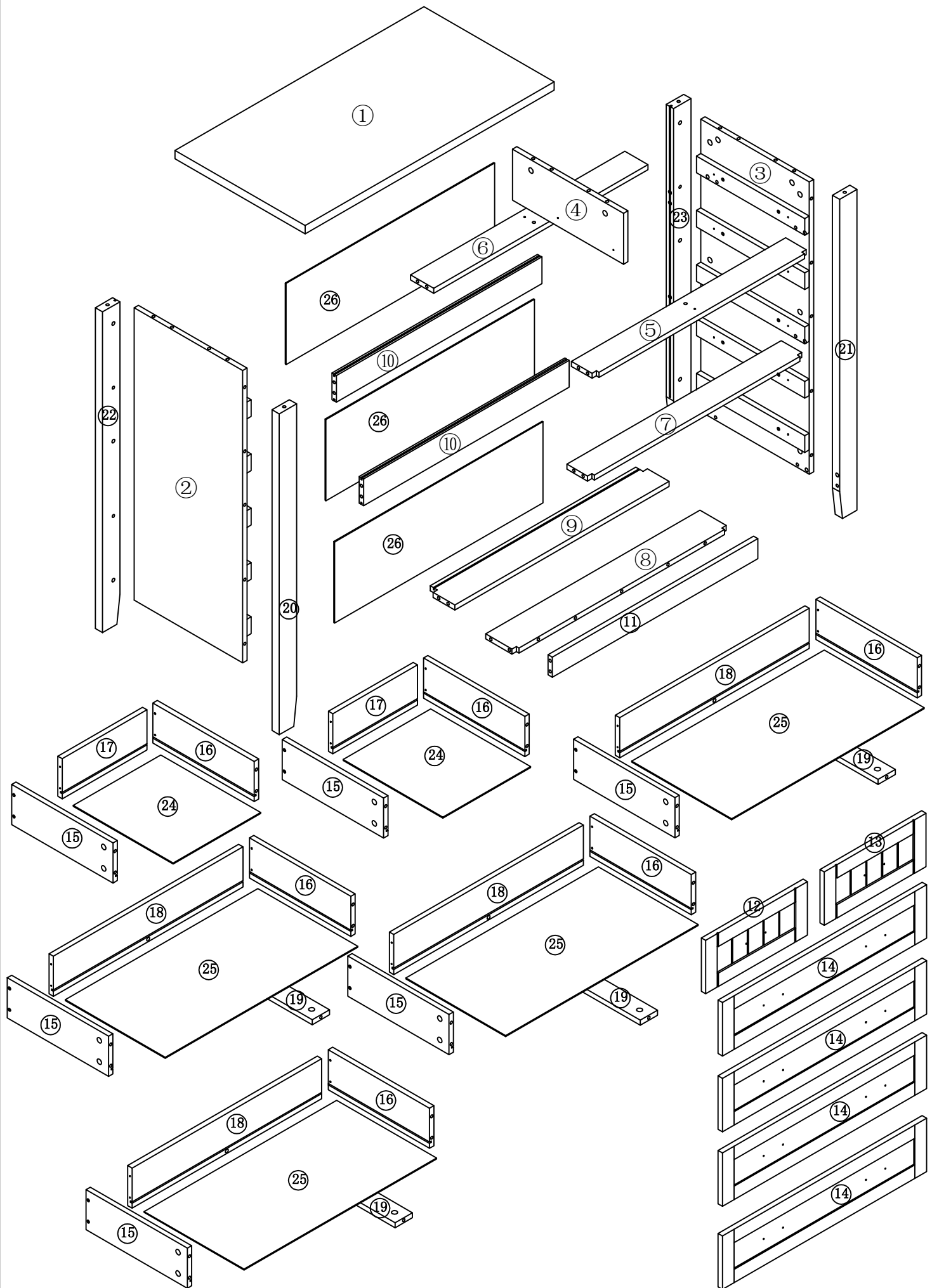


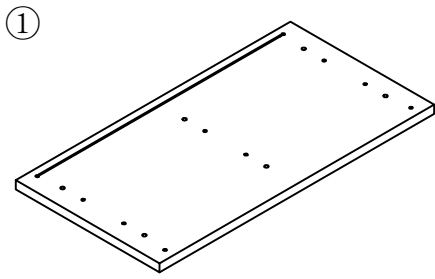
Safety
Goggles





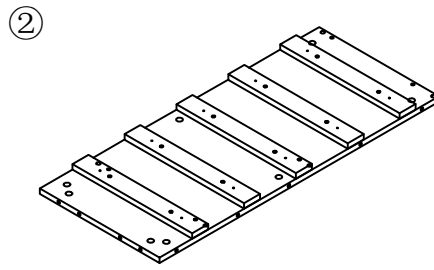
 	 $\Phi 8*30$	 $\Phi 3.5*14$		 $\Phi 3.5*35$
$A \times 73$	$B \times 34$	$C \times 64$	$D \times 2$	$E \times 26$
 				 $\Phi 3*14$
$F \times 6$	$G \times 12$	$H \times 73$	$I \times 10$	$J \times 20$





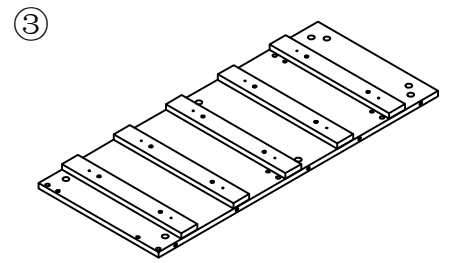
860*450*25mm

1 PC



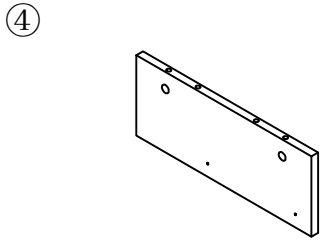
875*375*15mm

1 PC



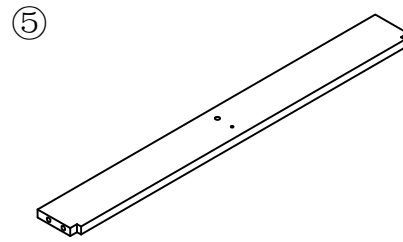
875*375*15mm

1 PC



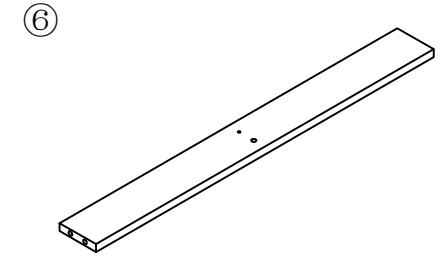
152.5*384*15mm

1 PC



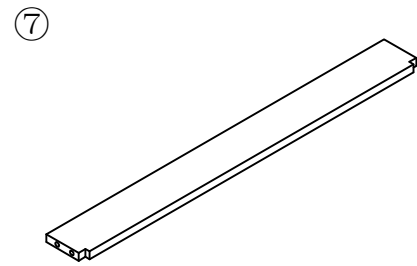
740*80*15mm

1 PC



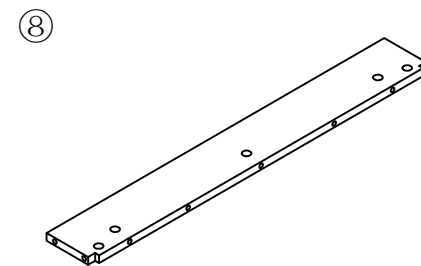
740*80*15mm

1 PC



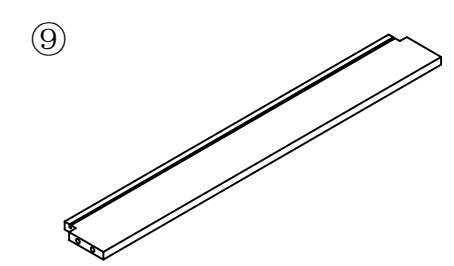
740*80*15mm

1 PC



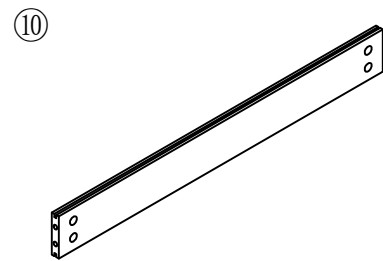
740*100*15mm

1 PC



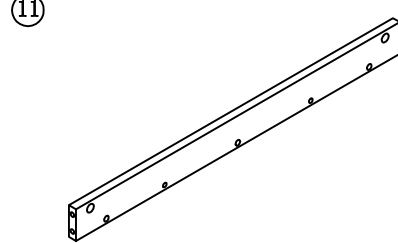
740*100*15mm

1 PC



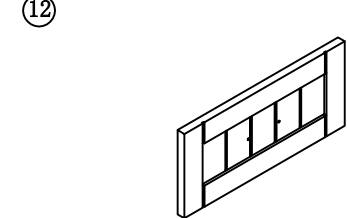
710*80*15mm

2 PCS



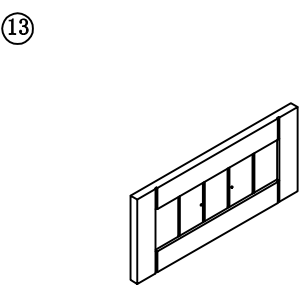
710*60*15mm

1 PC



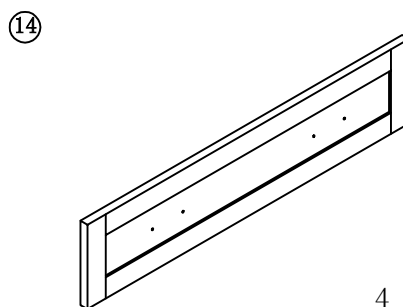
351.5*160*15mm

1 PC



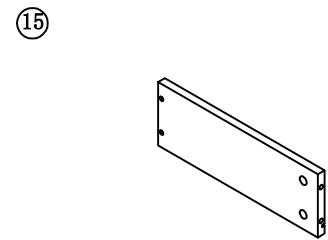
351.5*160*15mm

1 PC



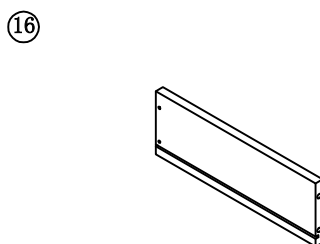
705*160*15mm

4 PCS



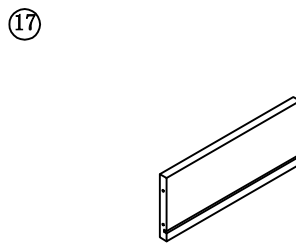
350*120*15mm

6 PCS



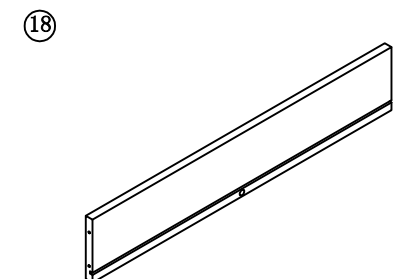
350*120*15mm

6 PCS



292.5*120*15mm

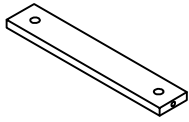
2 PCS



655*120*15mm

4 PCS

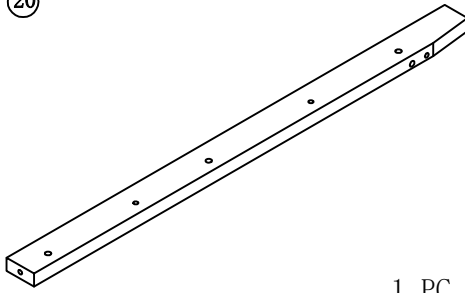
19



4 PCS

335*60*15mm

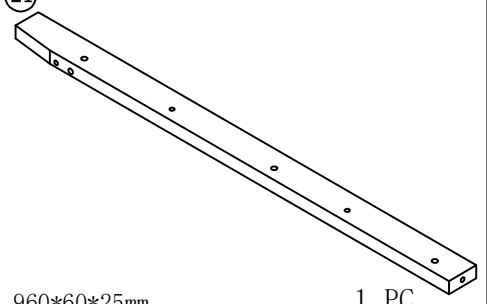
20



1 PC

960*60*25mm

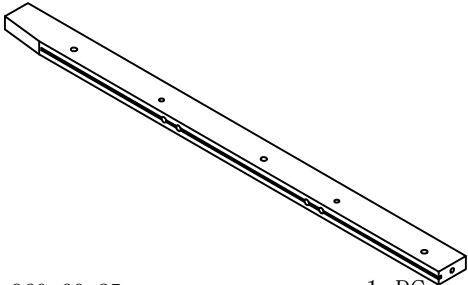
21



1 PC

960*60*25mm

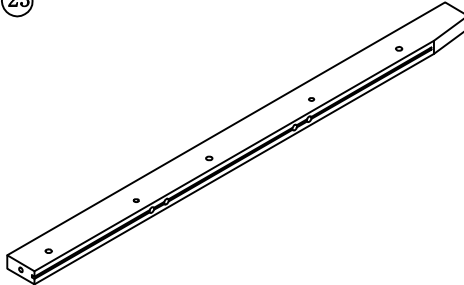
22



1 PC

960*60*25mm

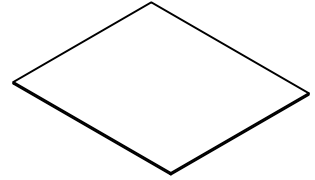
23



1 PC

960*60*25mm

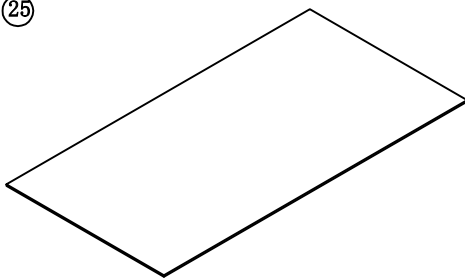
24



2 PCS

302.5*345*3mm

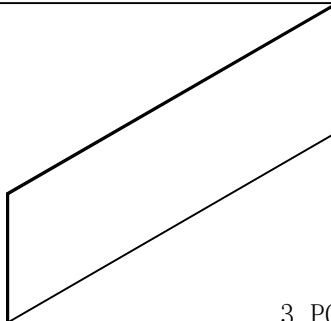
25



4 PCS

665*345*3mm

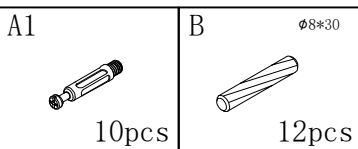
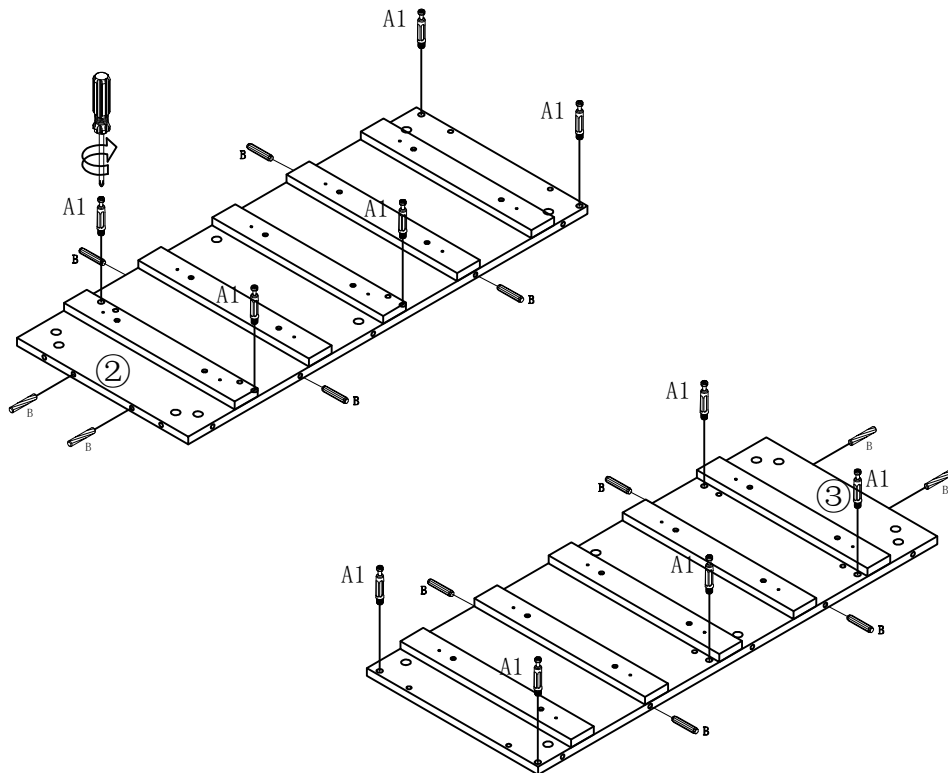
26



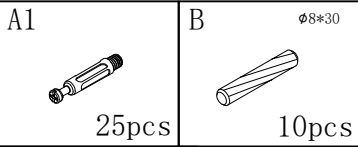
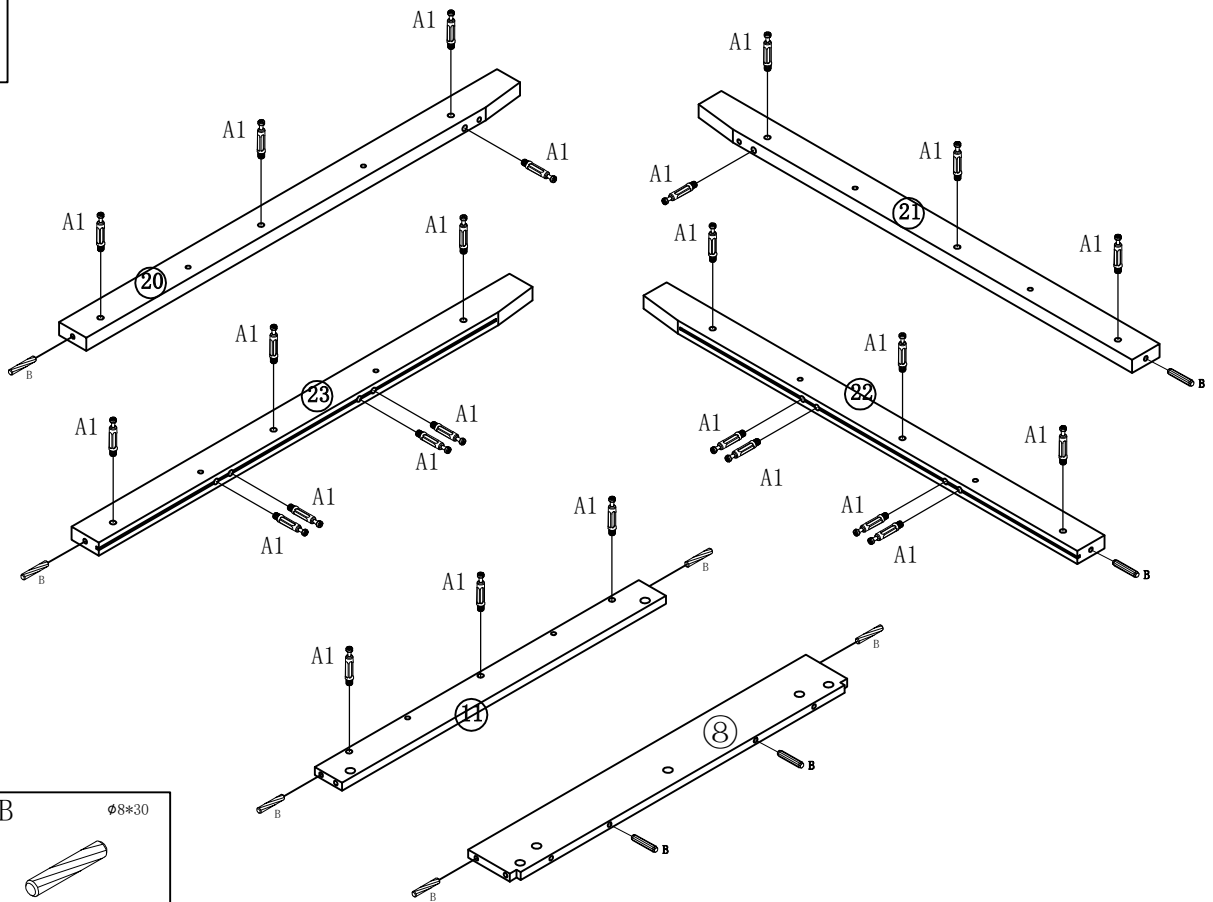
3 PCS

720*243*3mm

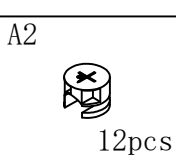
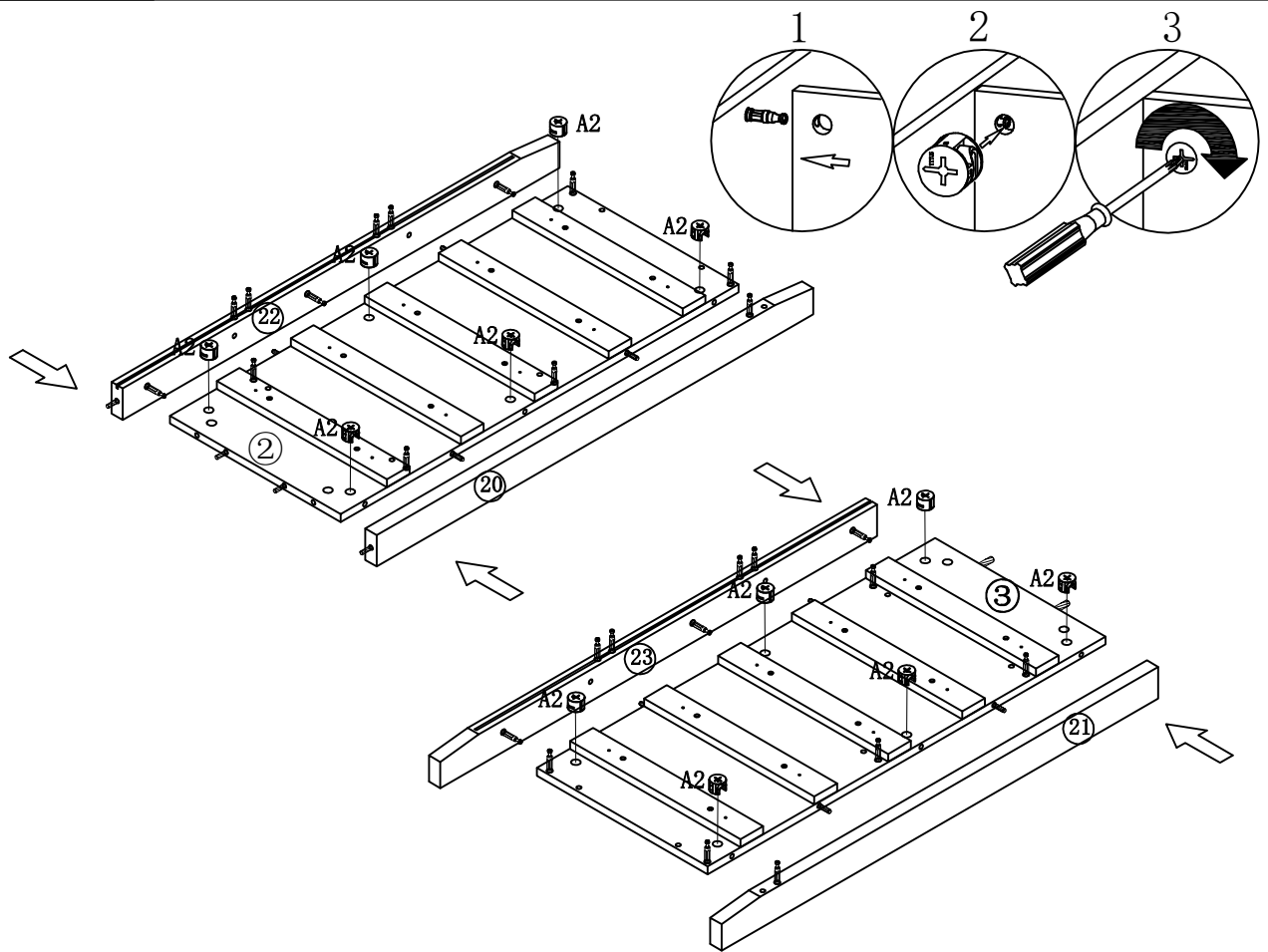
1



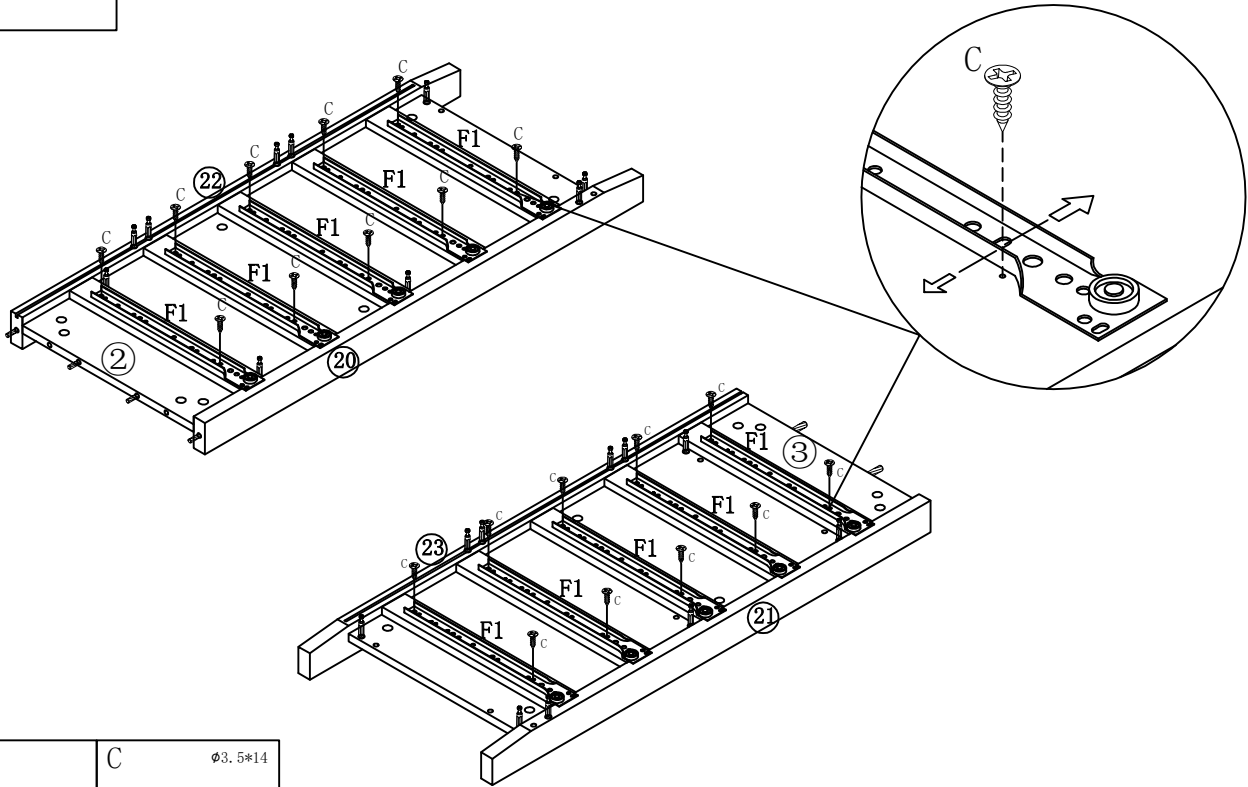
2

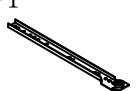



3

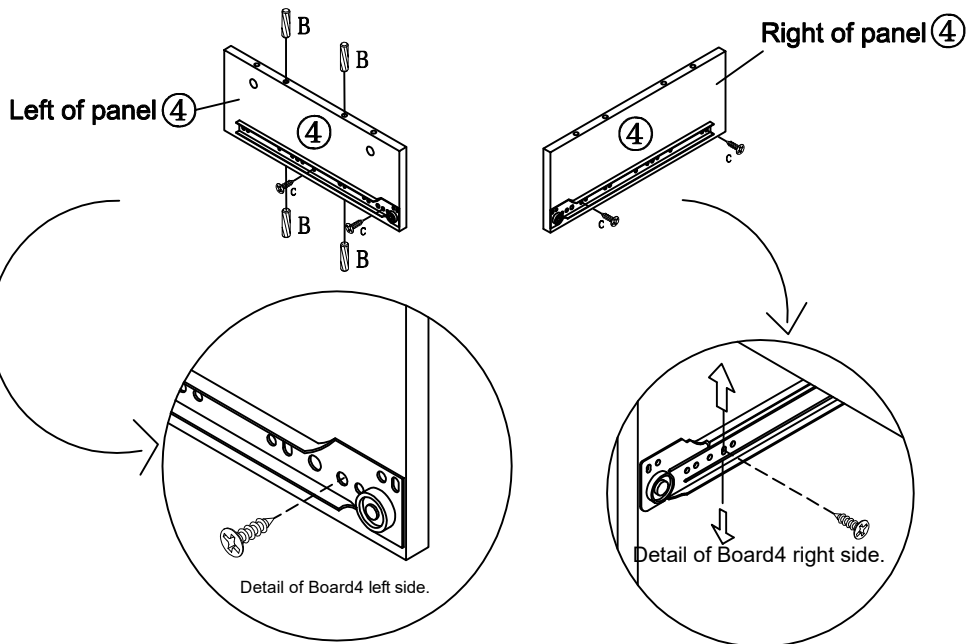


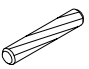


4



F1	C	$\phi 3.5 \times 14$
		
10pcs	20pcs	

5

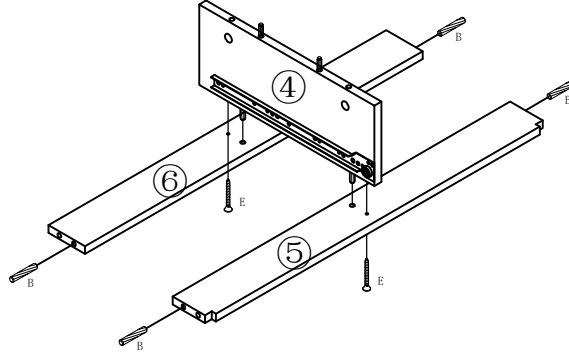


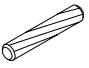
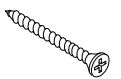
B	$\phi 8 \times 30$	F1	C	$\phi 3.5 \times 14$
				
4pcs		2pcs	4pcs	

6

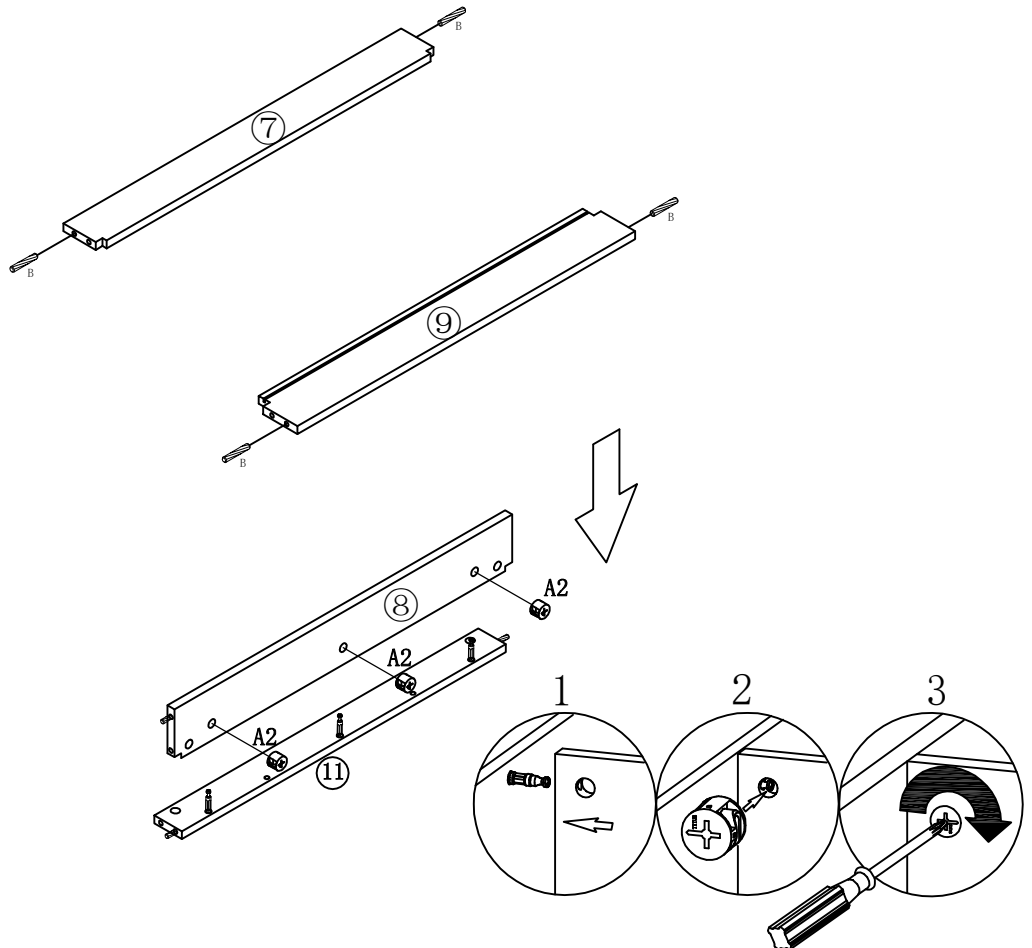
Suggestions:



It is recommended that two people install together in this step.



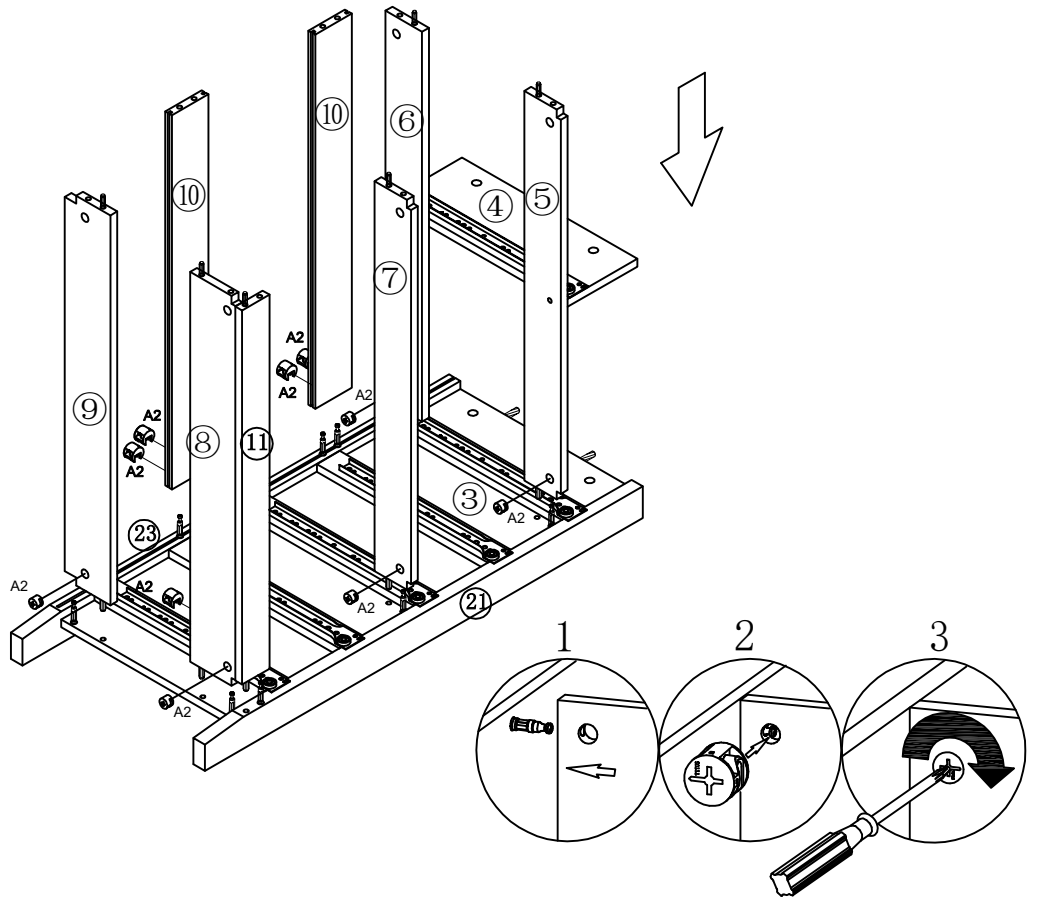
B	$\phi 8 \times 30$	E	$\phi 3.5 \times 35$
			
4pcs		2pcs	

7



A2		B	$\phi 8 \times 30$
			
3pcs		4pcs	

8

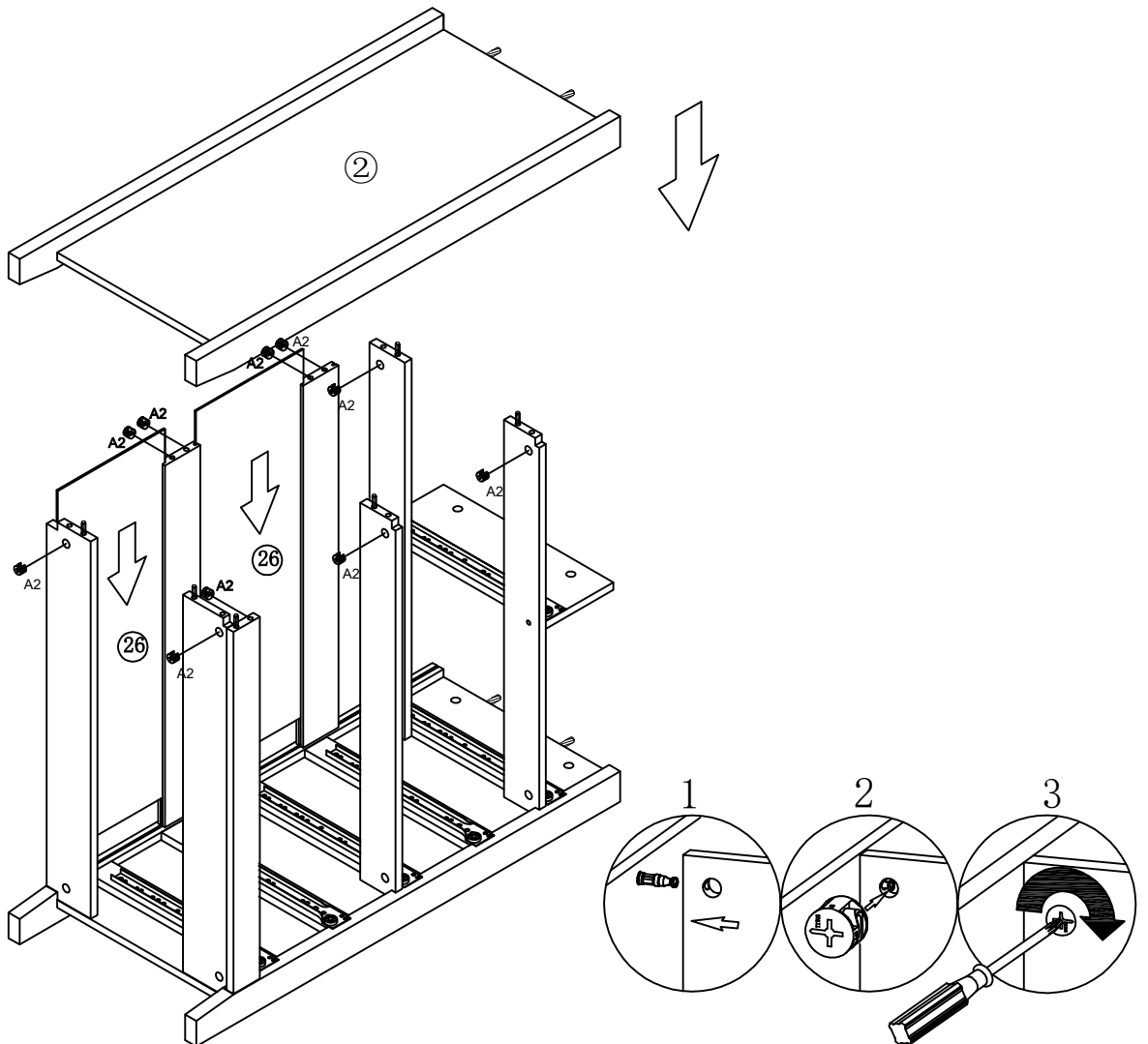


A2



10pcs

9

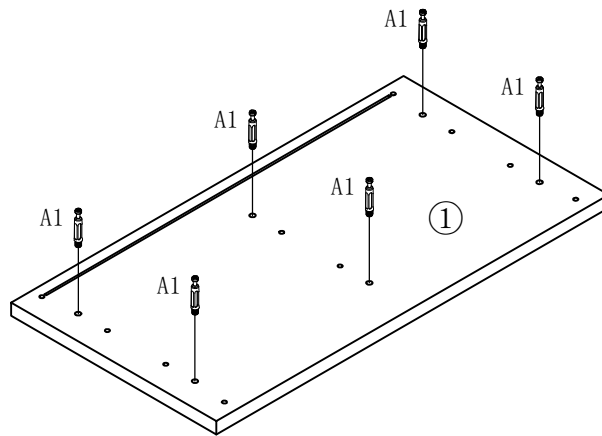


A2



10pcs

10

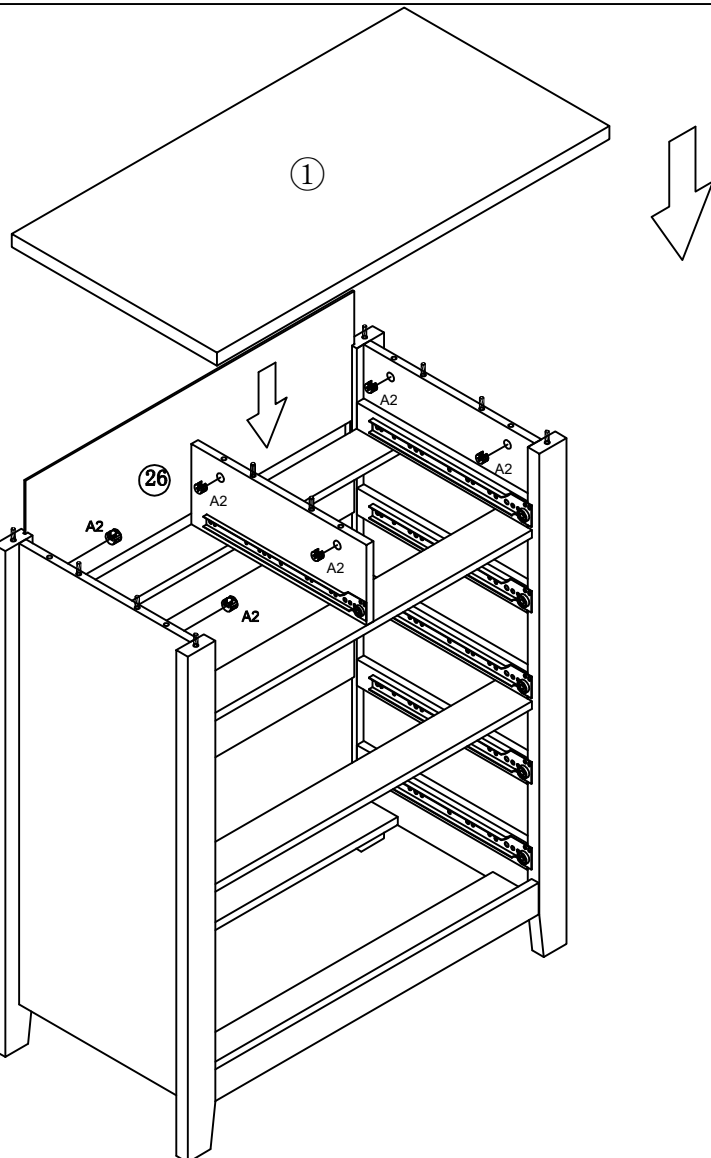
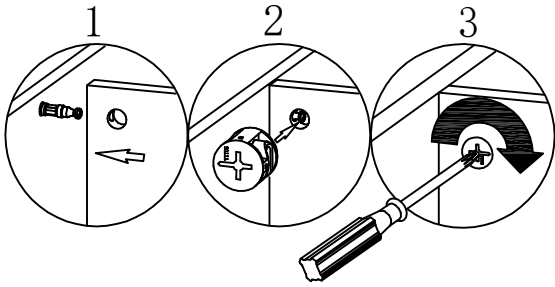


A1



6pcs

11

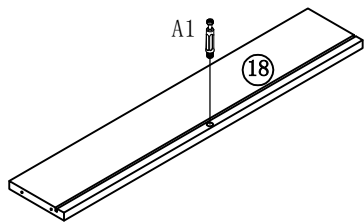


A2

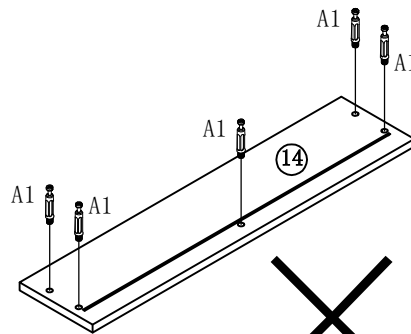
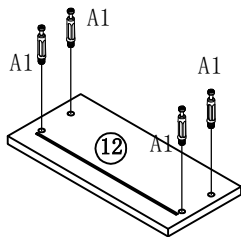
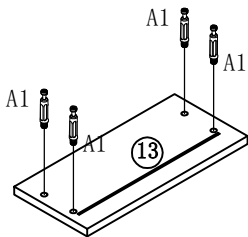


6pcs

12



× 4



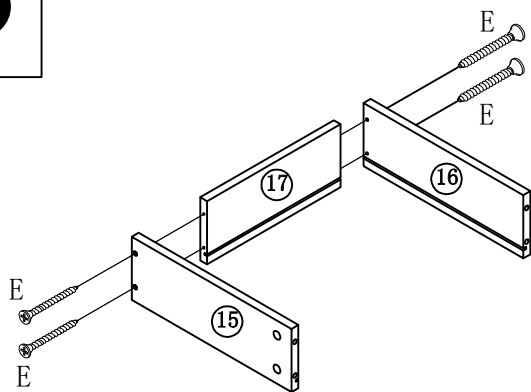
× 4

A1

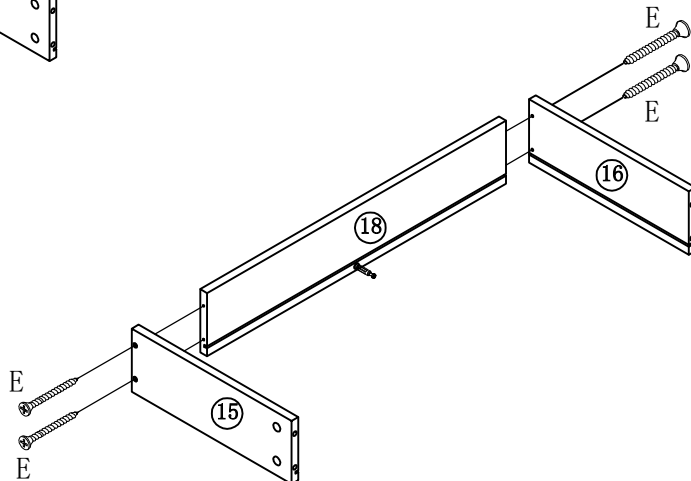


32pcs

13

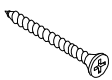


× 2



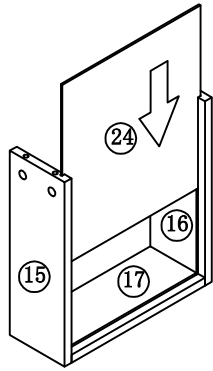
× 4

E

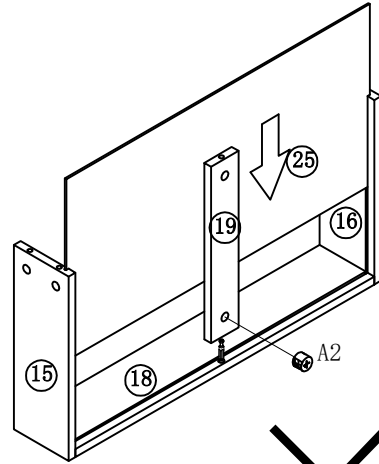


24pcs

14



× 2



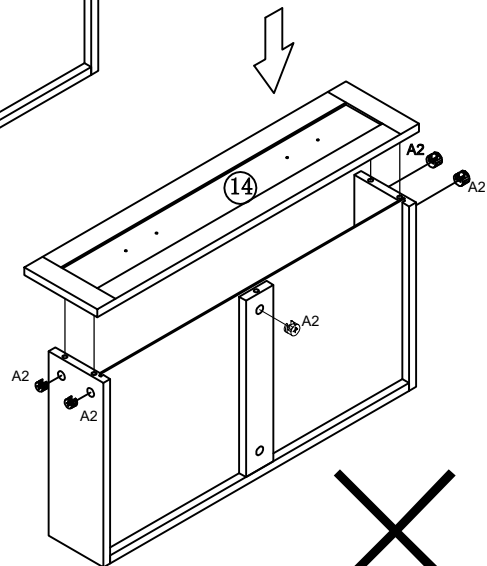
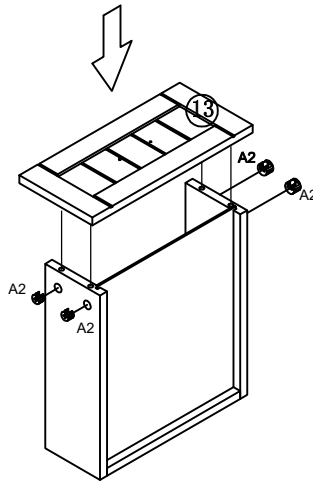
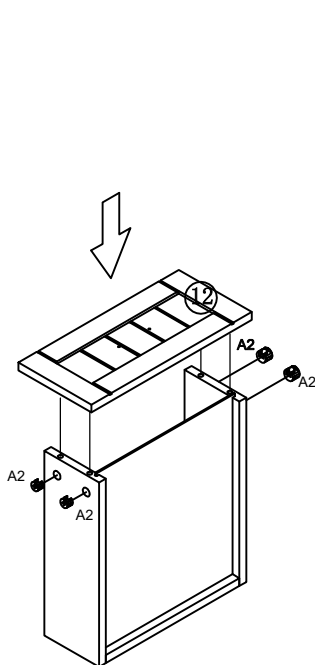
× 4

A2



4pcs

15

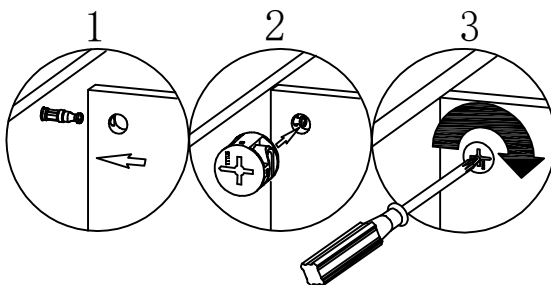


× 4

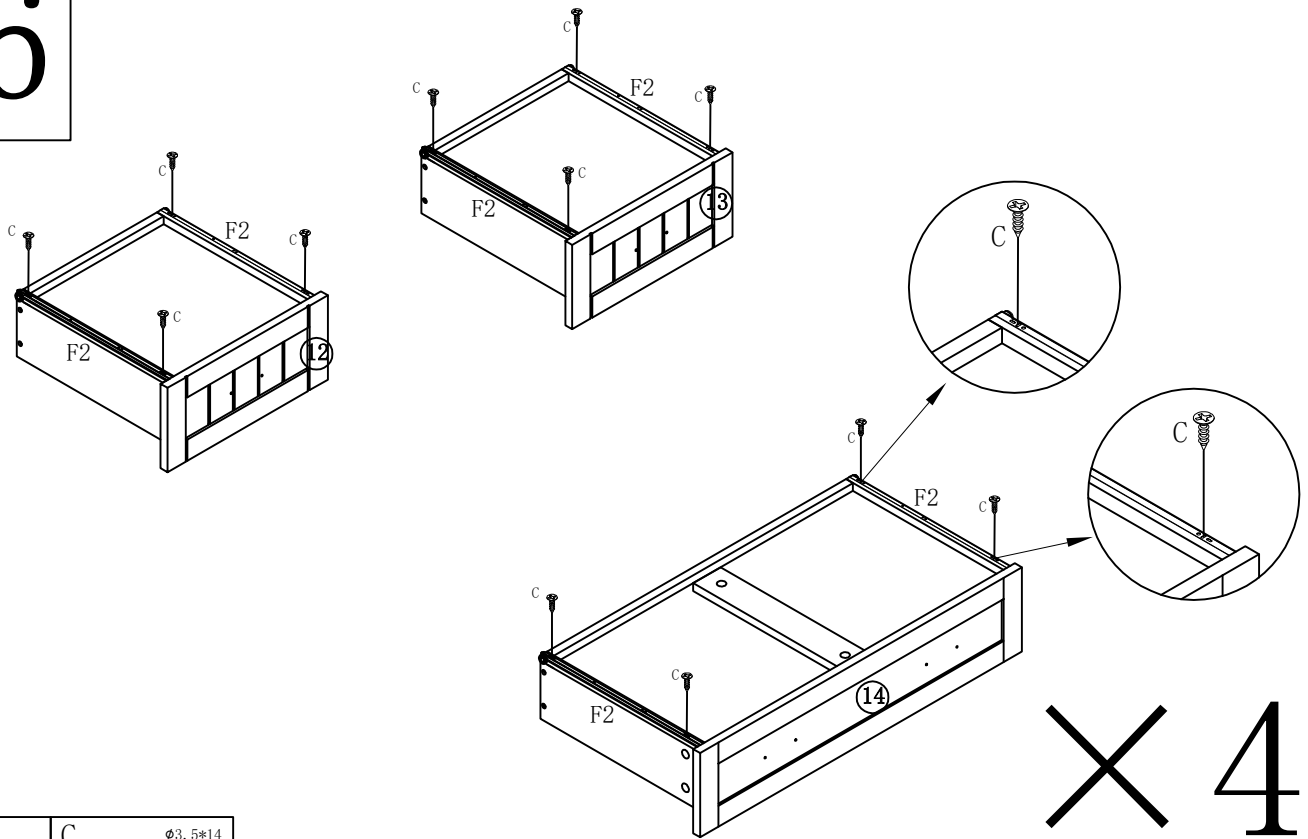
A2



28pcs

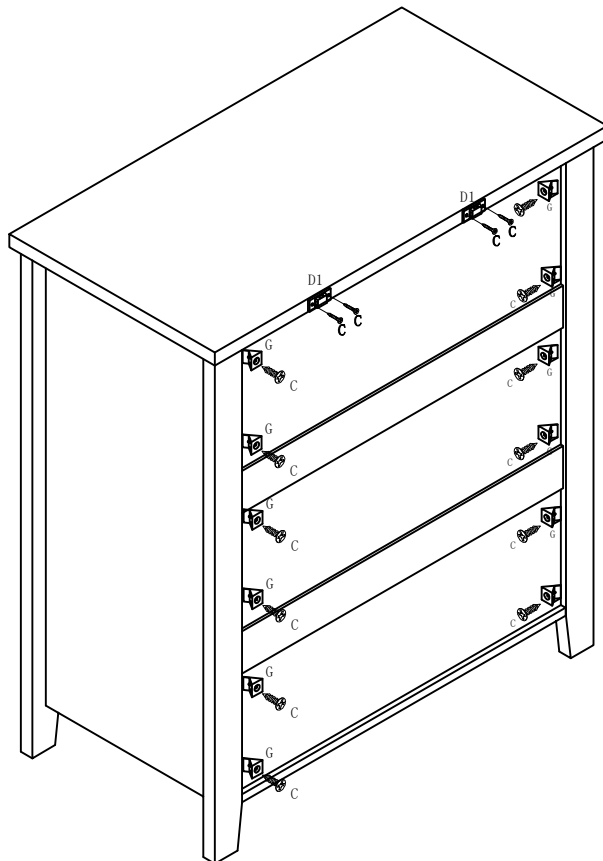


16



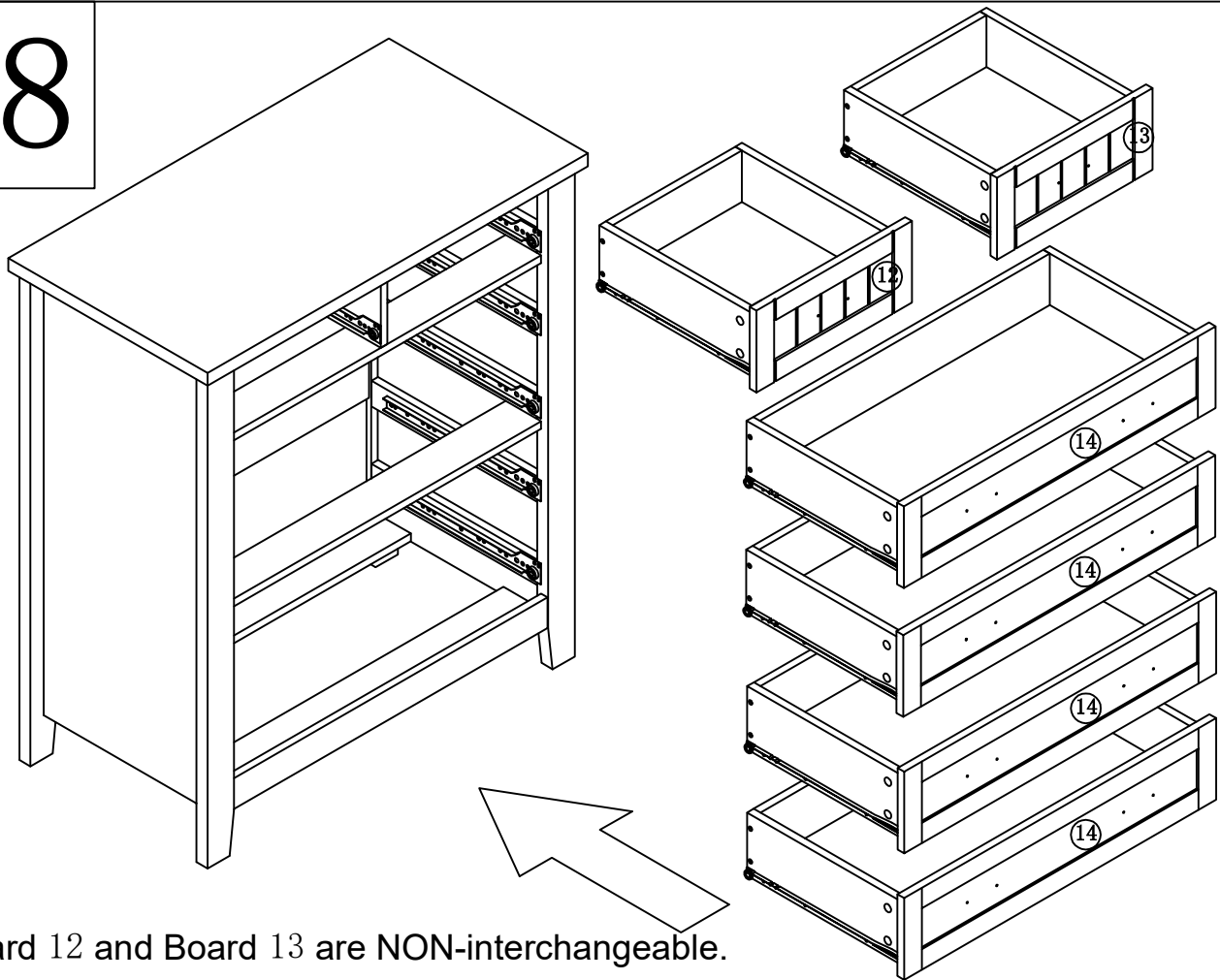
F2	C	Ø3.5*14
12pcs	24pcs	

17



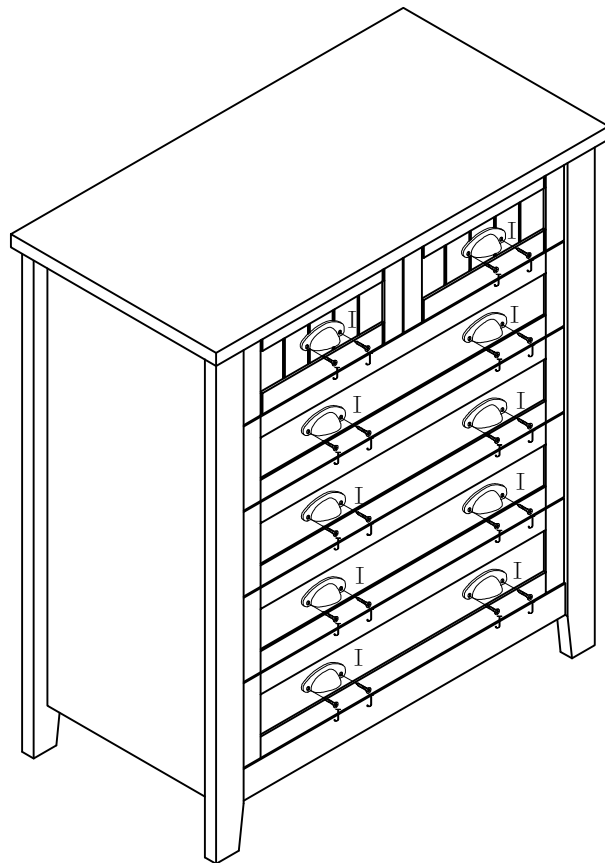
C	D1	G
16pcs	2pcs	12pcs

18



Board 12 and Board 13 are NON-interchangeable.

19



I



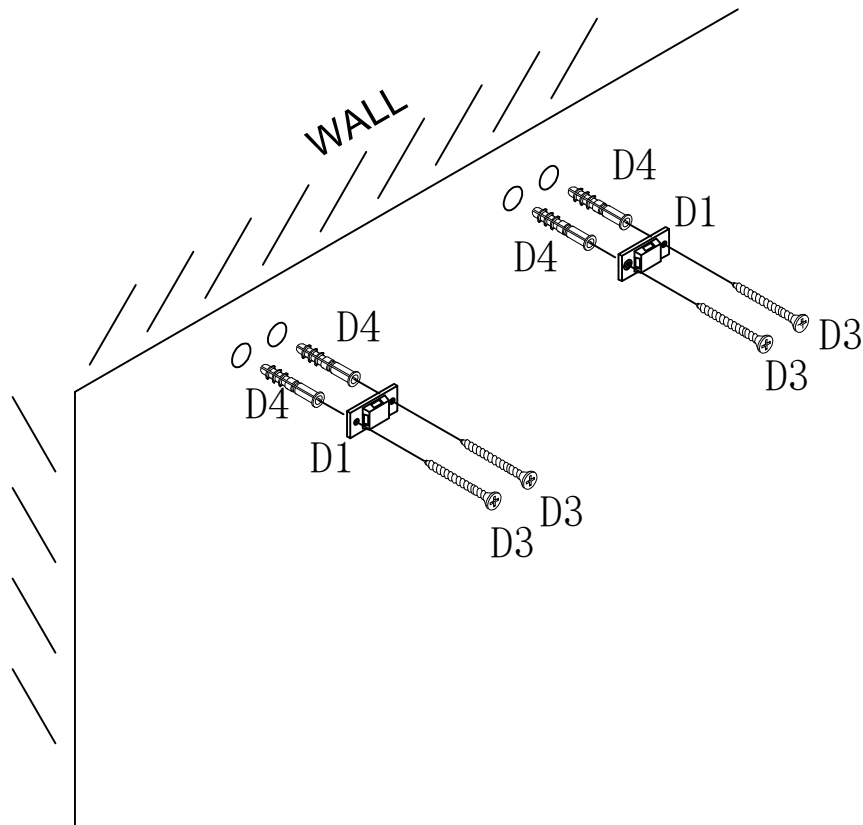
10pcs




J



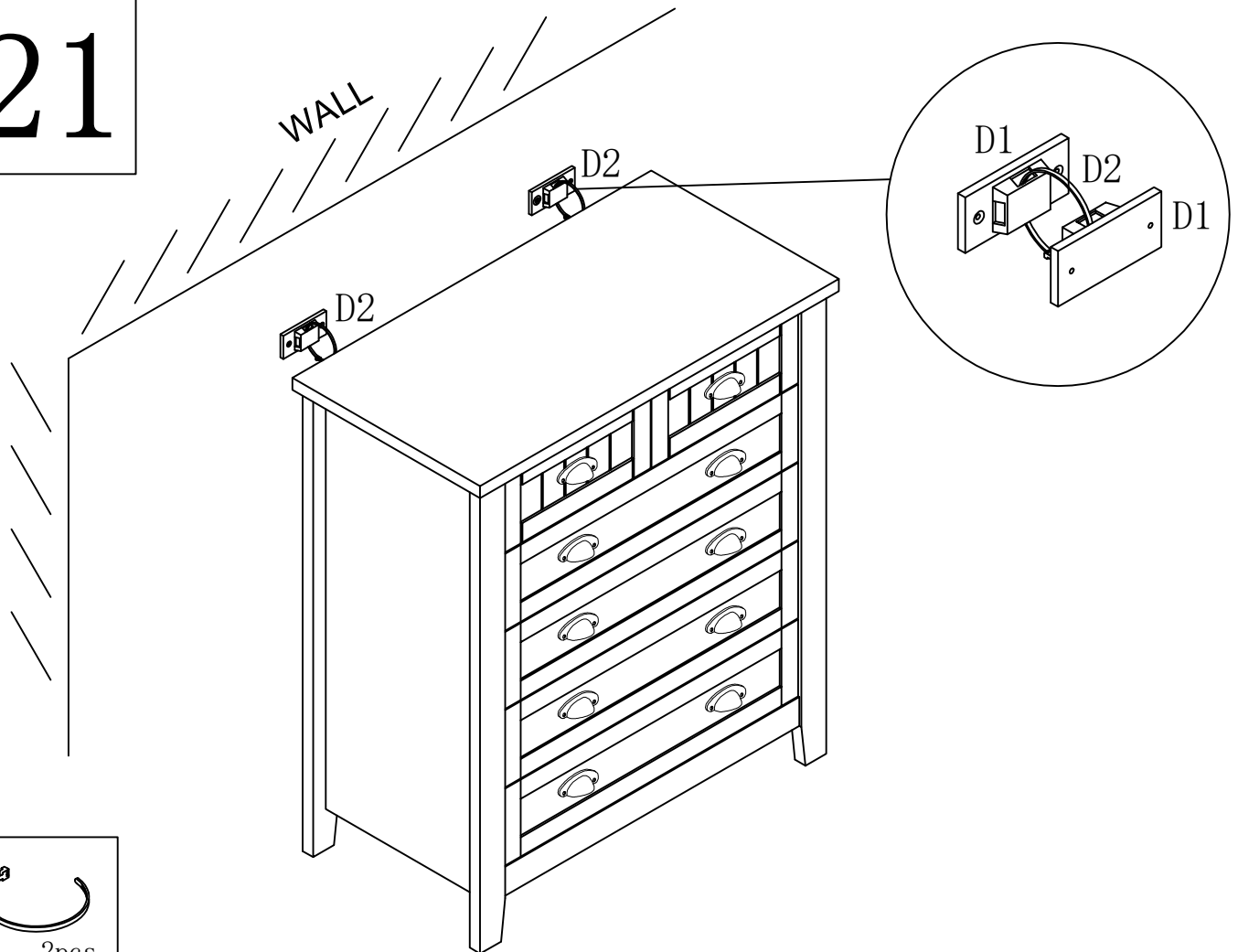
20pcs


20



D1	D3	D4
		
2pcs	4pcs	4pcs

21



D2

2pcs