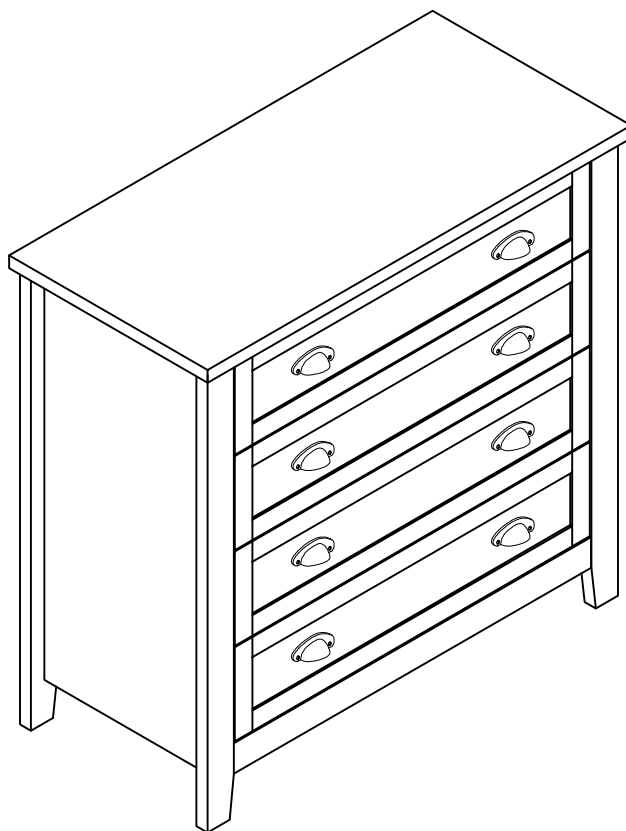


Assembly Instructions



Thank you for your purchase.

Please follow the instructions below for correct assembly.

▲ For higher efficiency, we recommend to use a power drill; the power drill should be set on the low speed to avoid screw stripping.

CAUTION

This package contains small parts and hardware; keep it from children to avoid accidental swallowing.



WARNING: Any furniture that is not anchored to a wall has the risk of tipping over in certain circumstances, i.e. when a child attempts to climb up on the furniture or in the event of an earthquake. Accordingly, we recommend that all furniture is anchored to a wall. We supply a free safety wall anchor with all furniture sold and we recommend these are used to prevent your product from tipping over.

Disclaimer

All information provided in this manual, including but not limited to notes, pictures, instructions, schematic diagrams, assembly procedures and safety precautions, etc., is in good faith and every reasonable effort has been made to ensure that the provided information is proper, correct and accurate to the best of the manufacturer's knowledge.

Under no circumstance shall the manufacturers, the distributors, the sales agents and the associates, contractors and employees of the above organizations be held liable for any direct, indirect, consequential or incidental losses, damages, injuries or accidents of any kind incurred as a result of the assembly, adjustment and use of the furniture contained in this box. By reading this manual and decide to proceed, you are deemed to agree to accept full personal responsibility and liability for any possible personal injury or damage you suffer from your actions, directly or indirectly, arising out of or in connections with the assembly, adjustment and use of the furniture.



Caution!

Personal injury can occur during the assembly and adjustment of the furniture contained in this box. You will be solely responsible for your personal safety.

PPE Recommendations

Proper PPEs (Personal Protection Equipment) are recommended to use during assembly and adjustment of the furniture.

Gloves

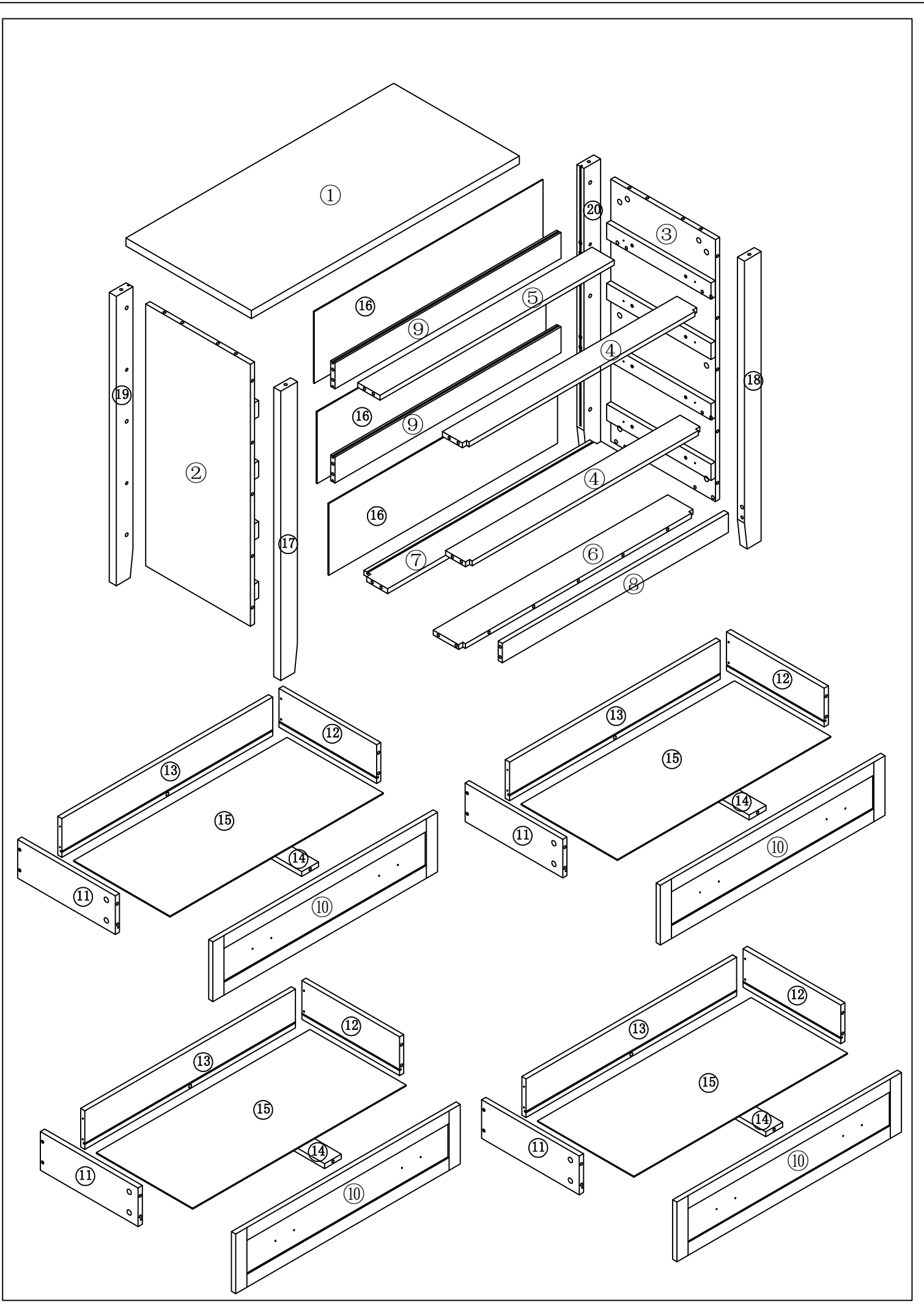


Safety
Goggles

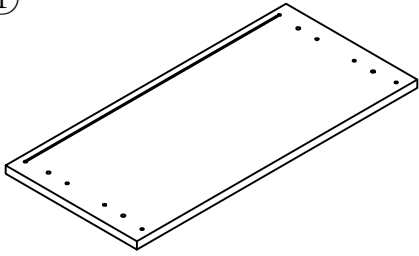




A1 A2	$\Phi 8*30$	$\Phi 3.5*14$	D1, D2, D3, D4	$\Phi 3.5*35$
$A \times 63$	$B \times 30$	$C \times 48$	$D \times 2$	$E \times 16$
F1, F2	$G \times 12$	$H \times 63$	$I \times 8$	$\Phi 3*14$
$F \times 4$	$G \times 12$	$H \times 63$	$I \times 8$	$J \times 16$



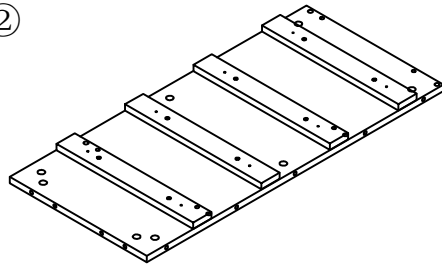
①



960*450*25mm

1 PC

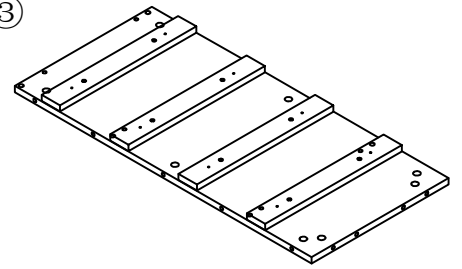
②



813*375*15mm

1 PC

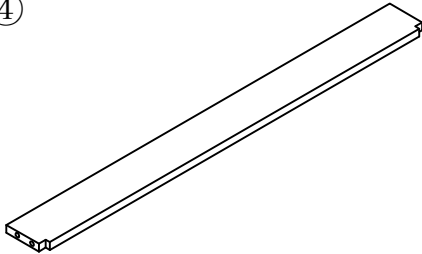
③



813*375*15mm

1 PC

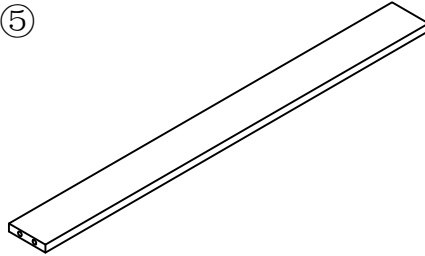
④



840*80*15mm

2 PCS

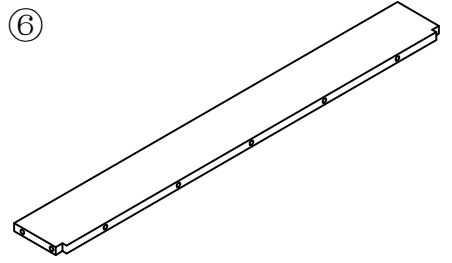
⑤



840*80*15mm

1 PC

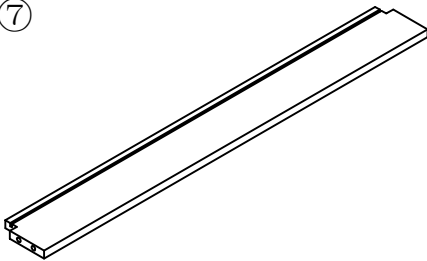
⑥



840*100*15mm

1 PC

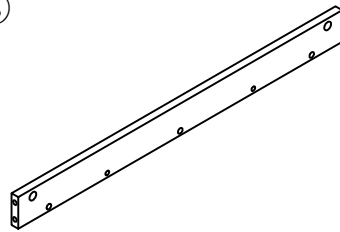
⑦



840*100*15mm

1 PC

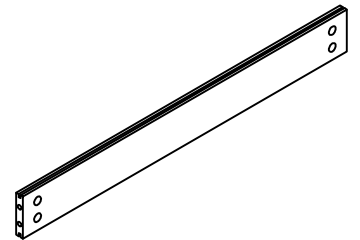
⑧



810*60*15mm

1 PC

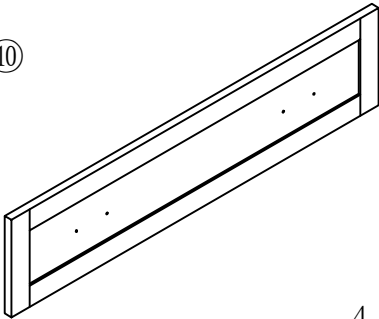
⑨



810*80*15mm

2 PCS

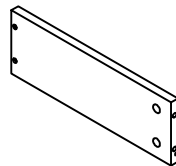
⑩



805*185*15mm

4 PCS

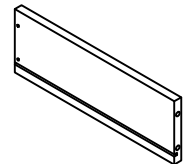
⑪



350*120*15mm

4 PCS

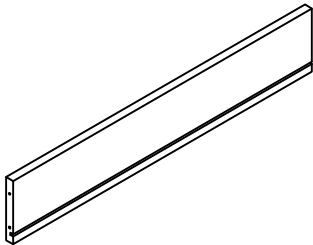
⑫



350*120*15mm

4 PCS

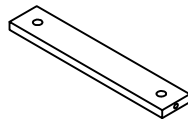
⑬



755*120*15mm

4 PCS

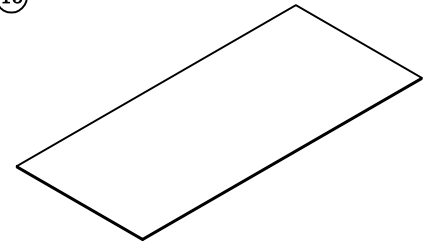
⑭



335*60*15mm

4 PCS

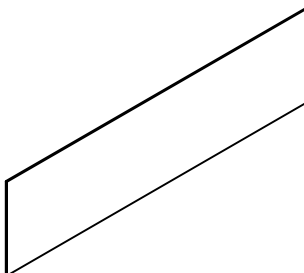
⑮



765*345*3mm

4 PCS

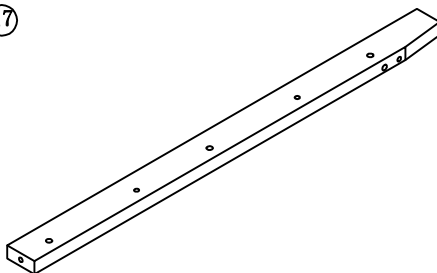
⑯



820*222.5*3mm

3 PCS

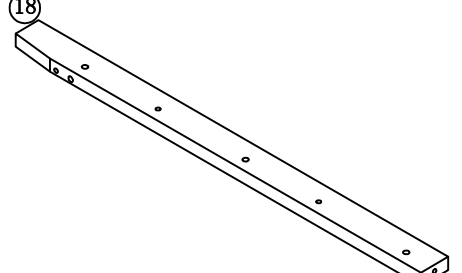
⑰



898*60*25mm

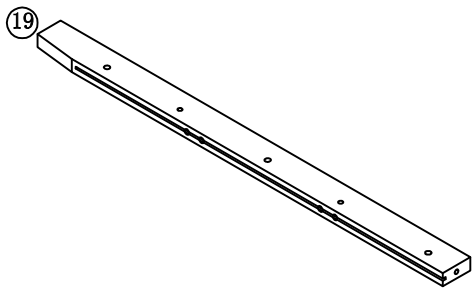
1 PC

⑱



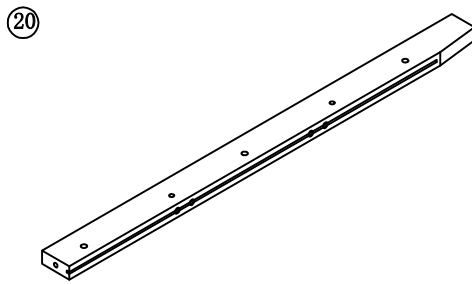
898*60*25mm

1 PC



898*60*25mm

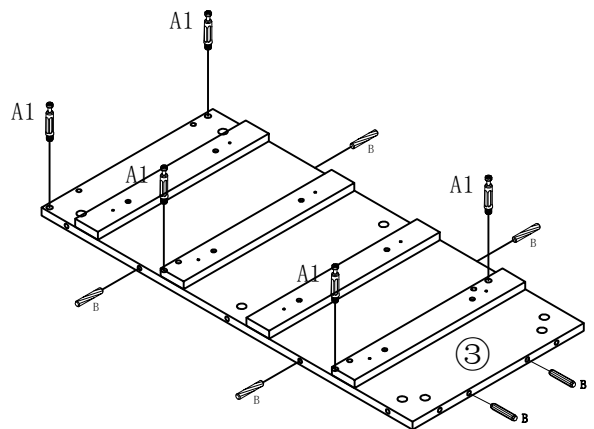
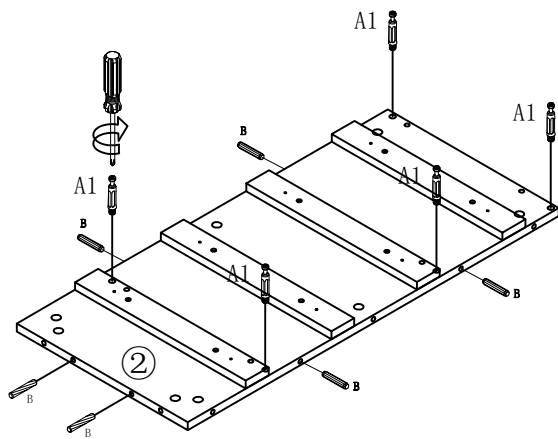
1 PC



898*60*25mm

1 PC

1



A1



10pcs

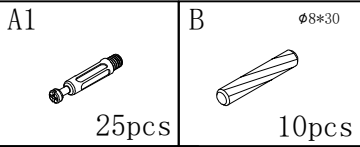
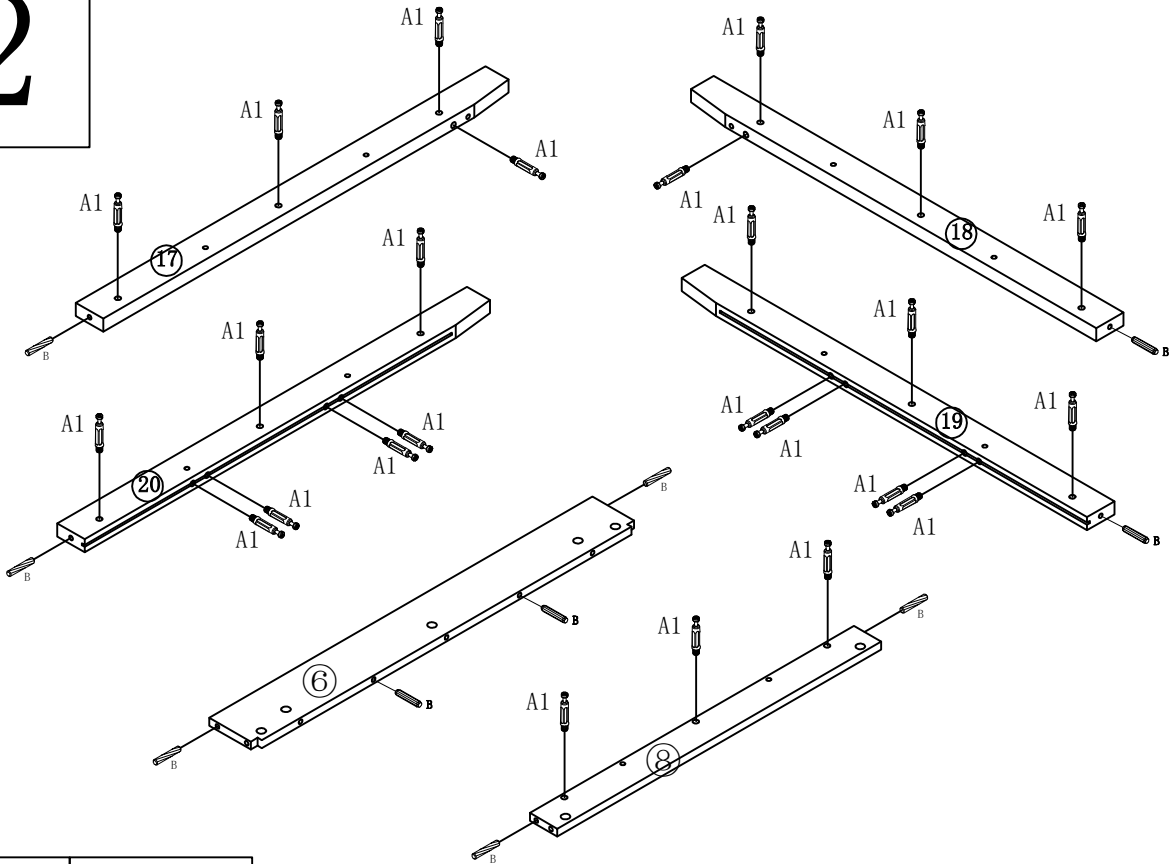
B

Ø8*30

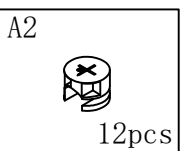
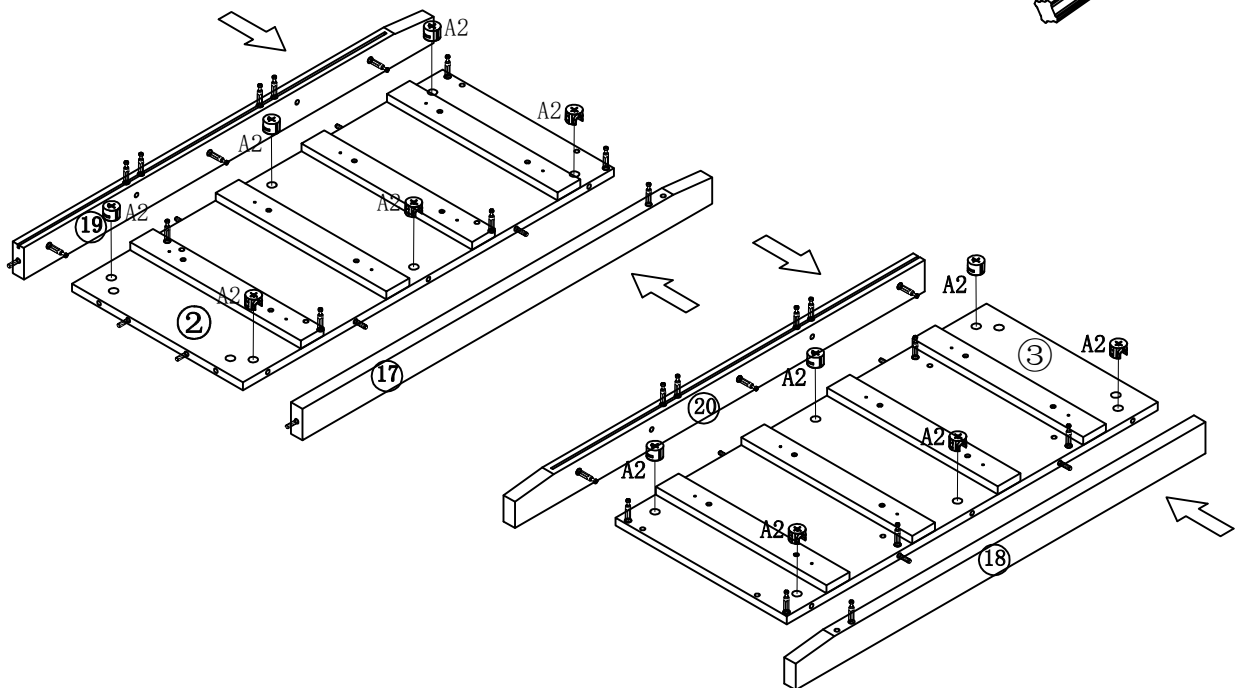
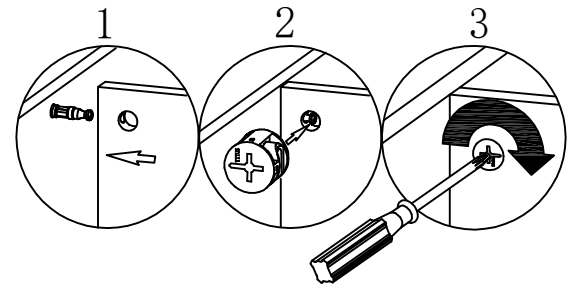


12pcs

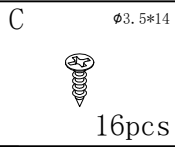
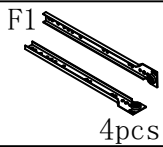
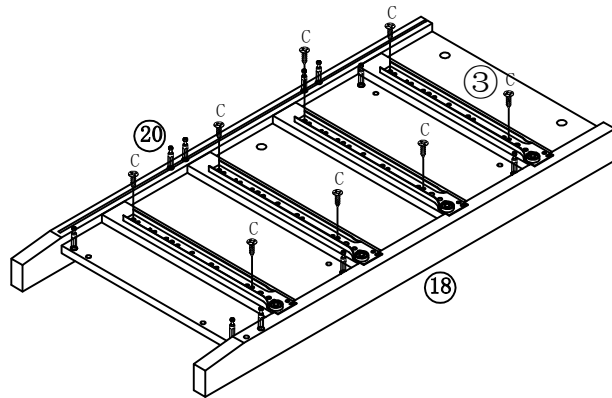
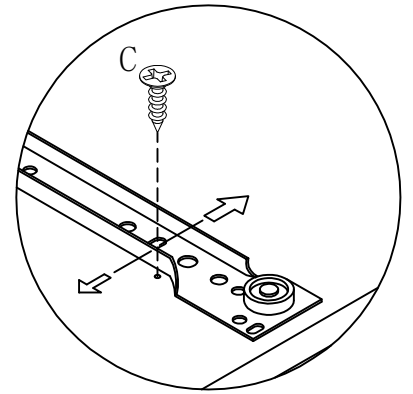
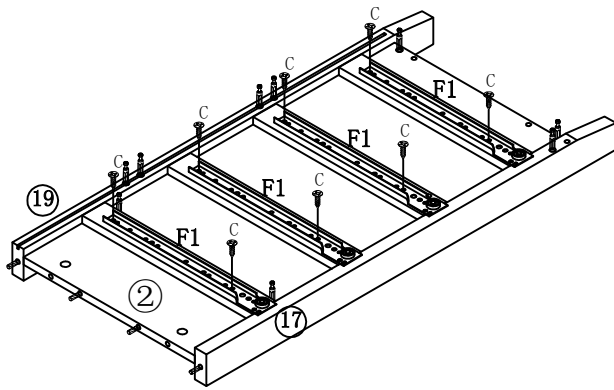
2



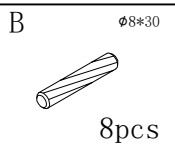
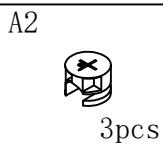
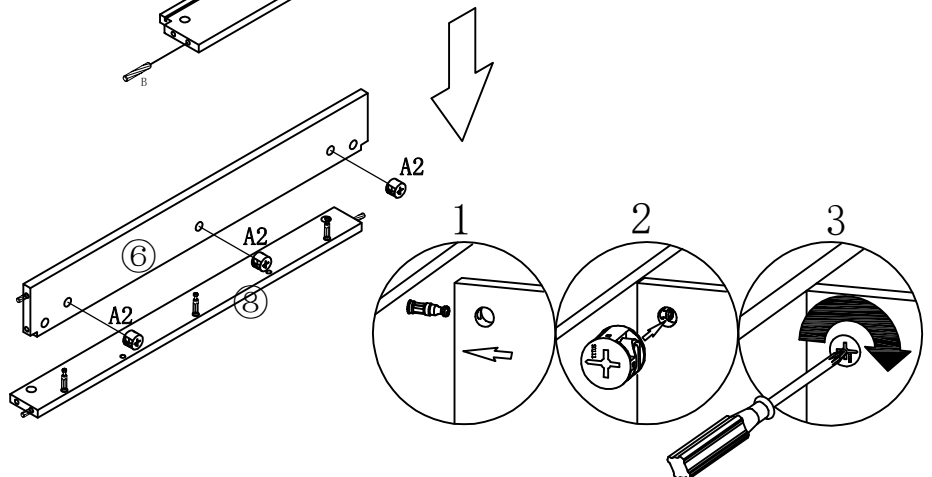
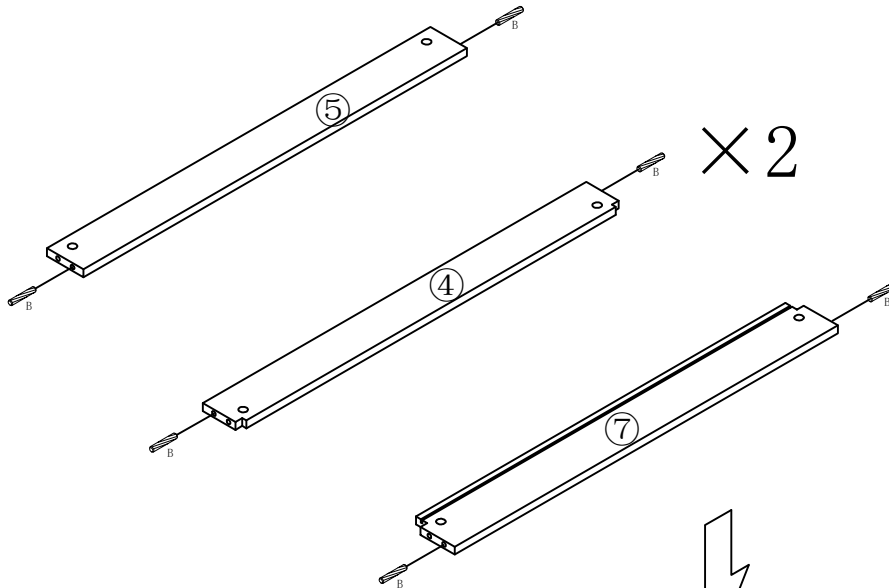
3



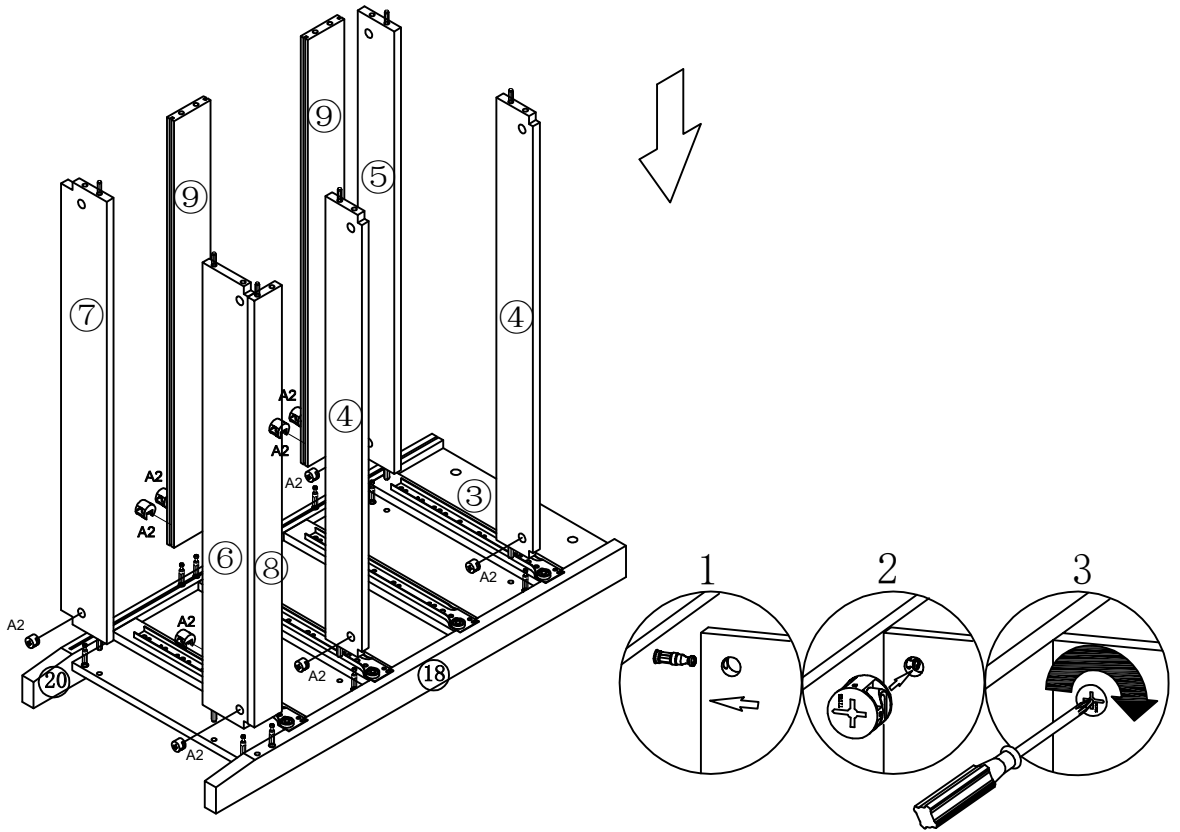
4



5



6

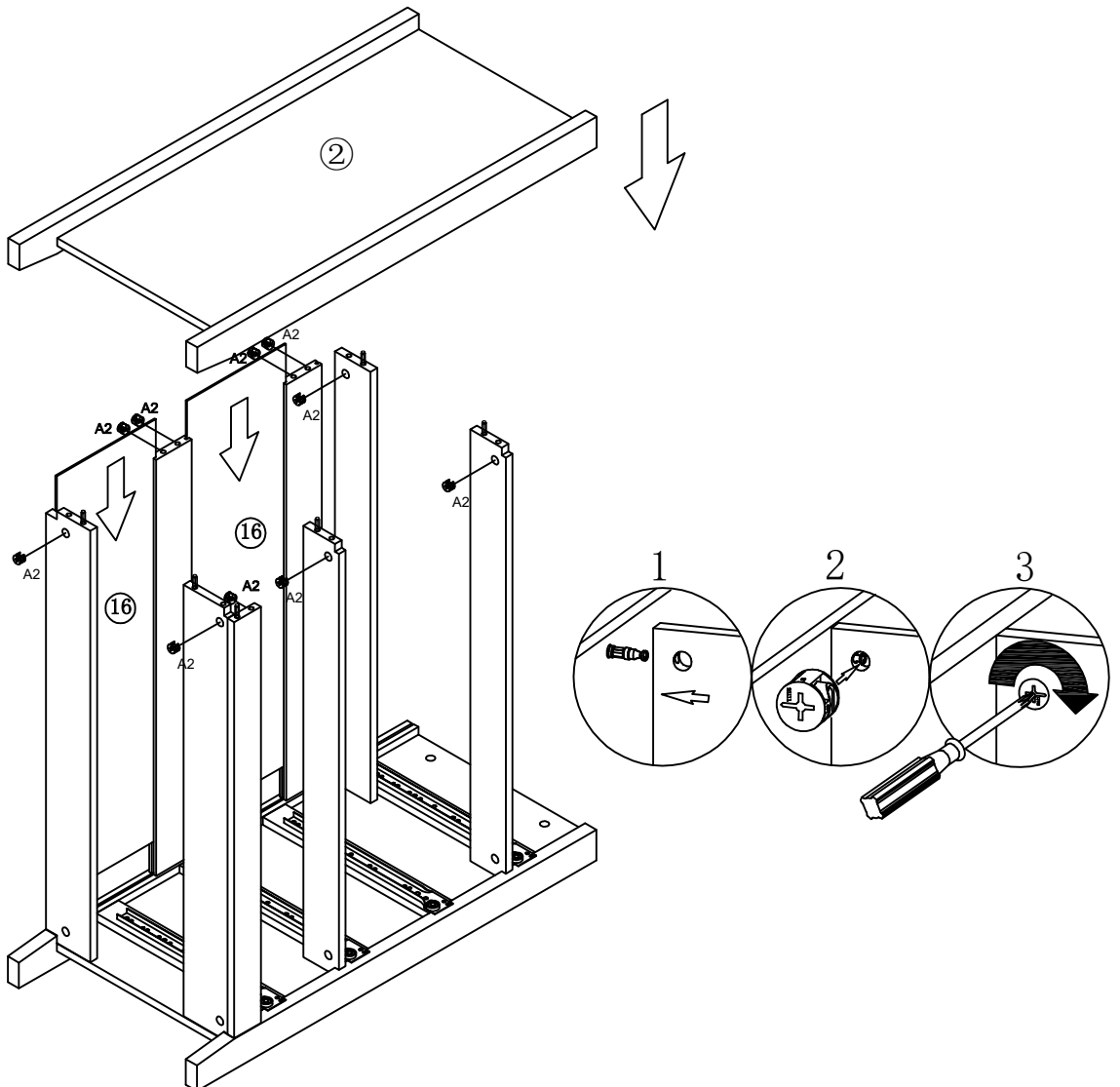


A2



10pcs

7

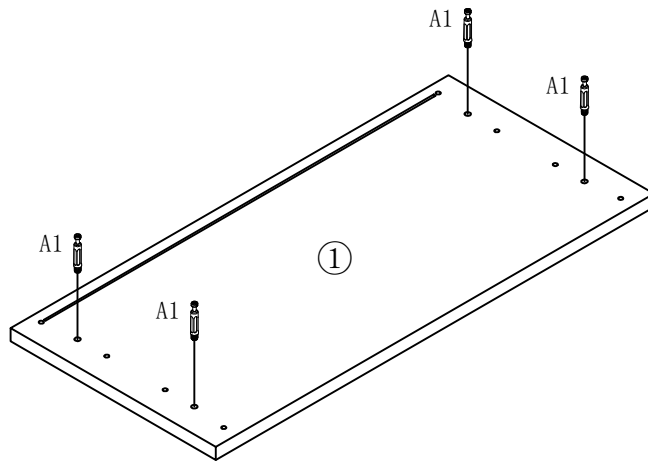


A2



10pcs

8

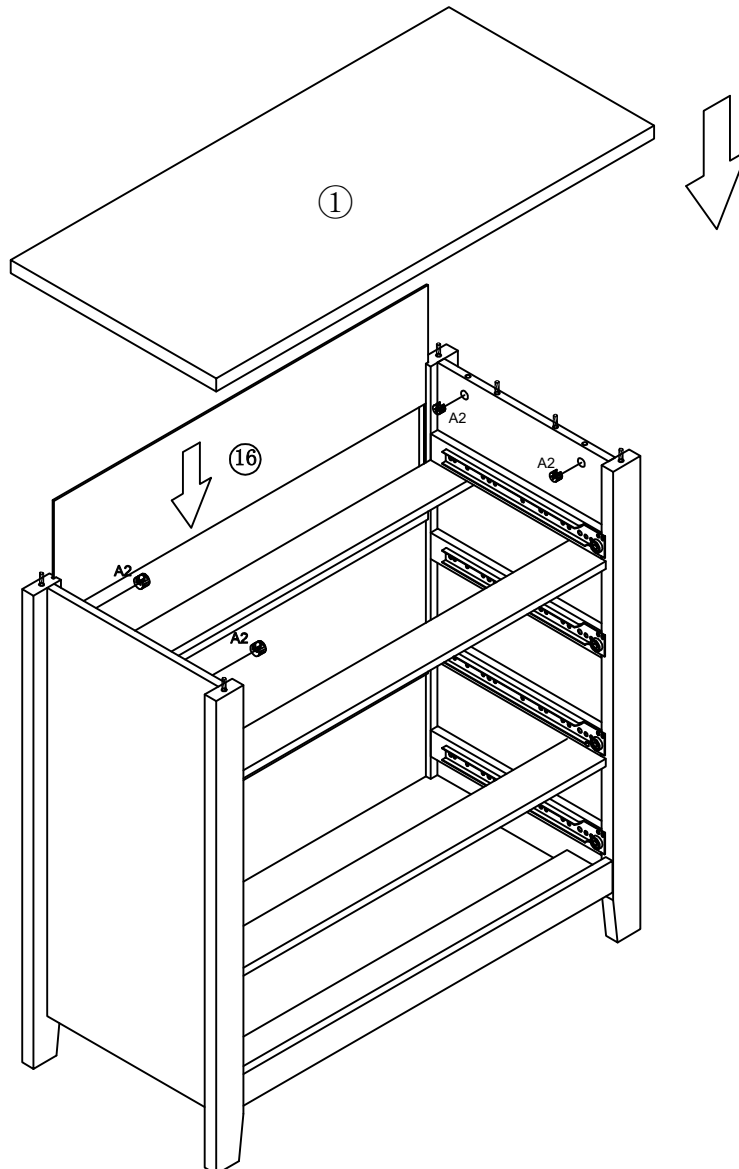


A1



4pcs

9

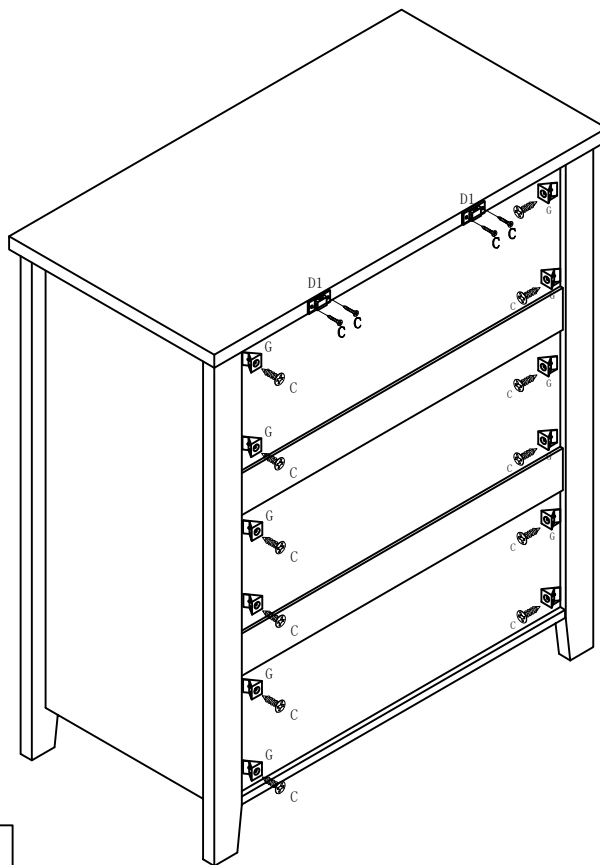




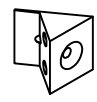
A2



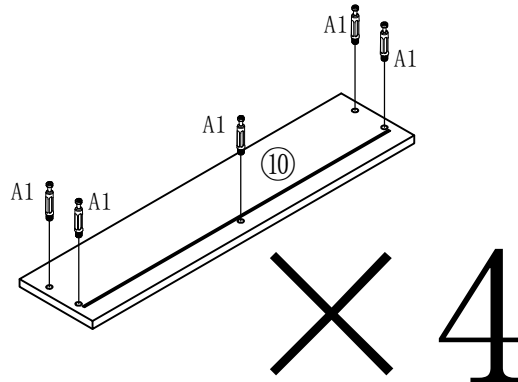
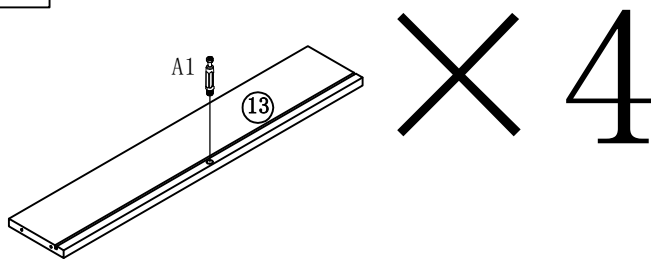
4pcs


10



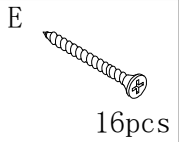
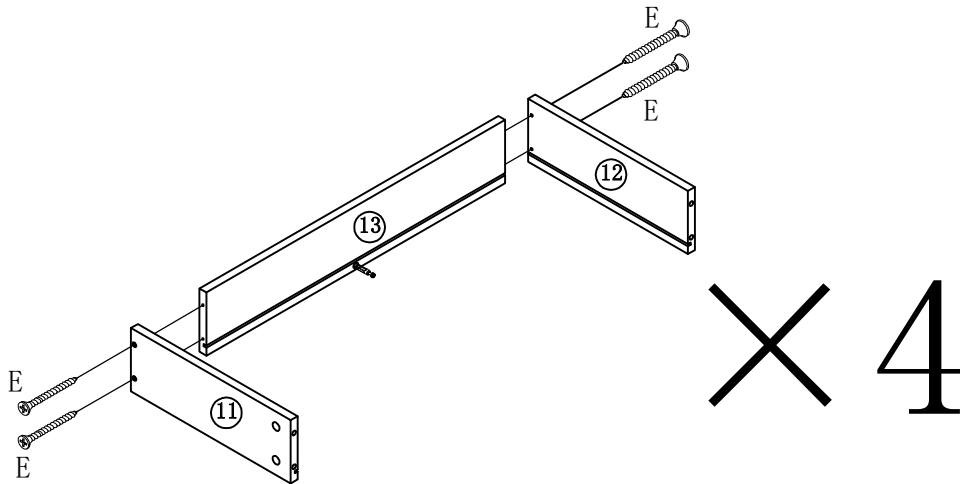
C	D1	G
		
16pcs	2pcs	12pcs

11

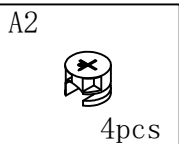
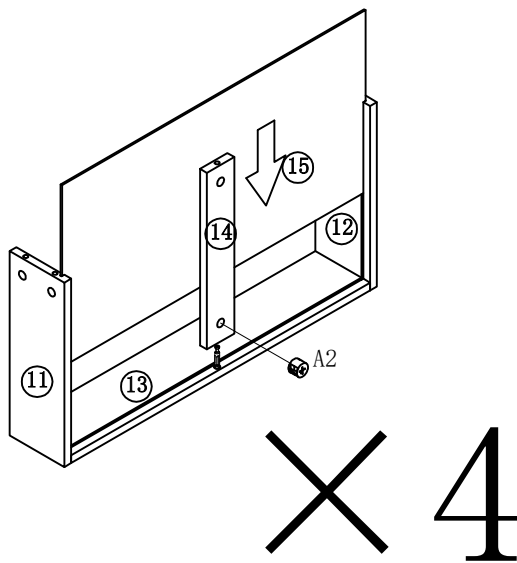


A1

24pcs

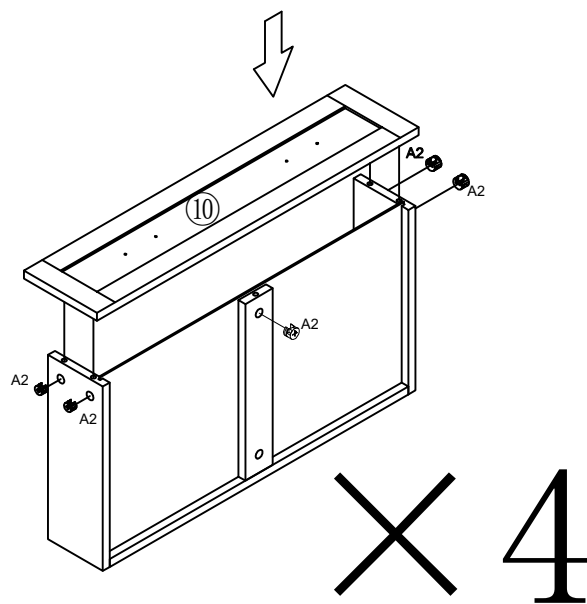
12



13



14

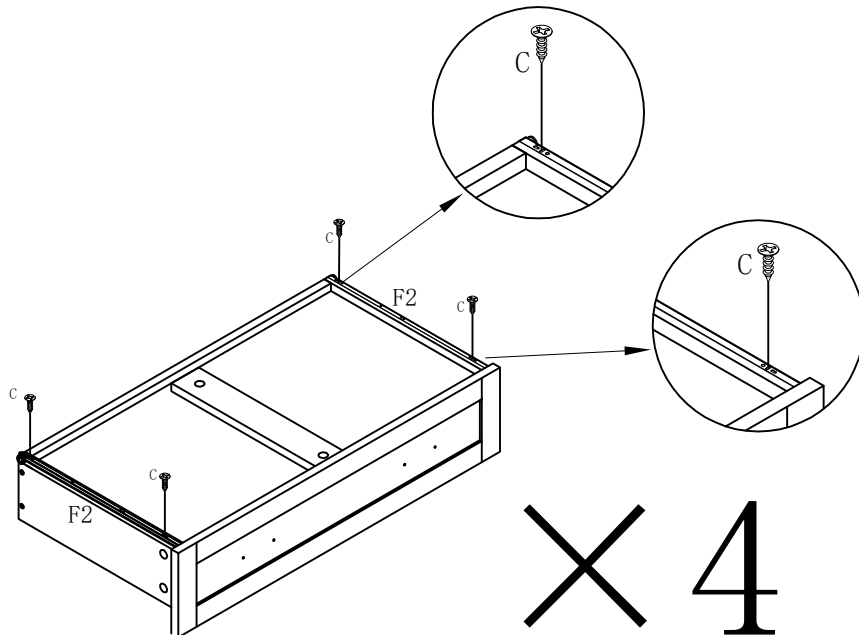


A2

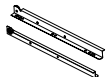


20pcs

15



F2



8pcs

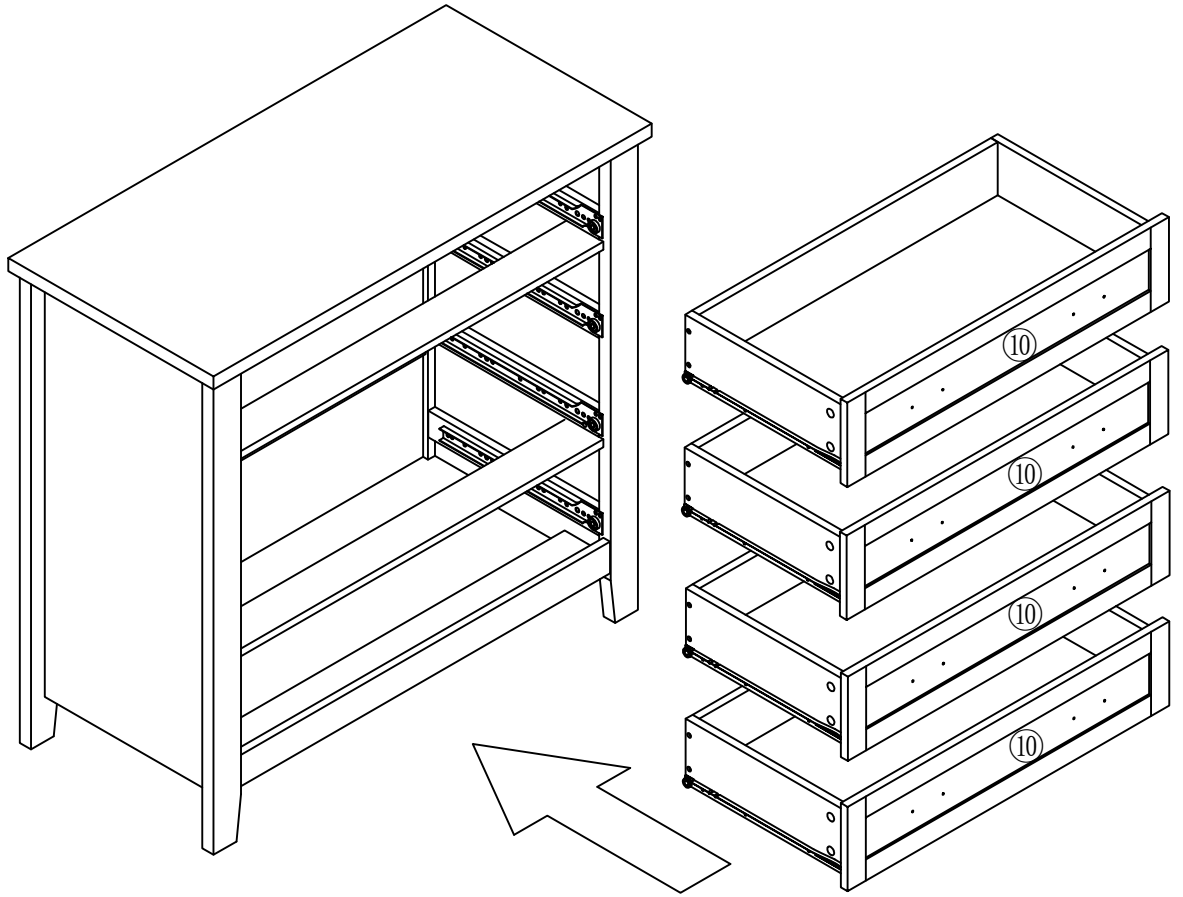
C

∅3.5*14

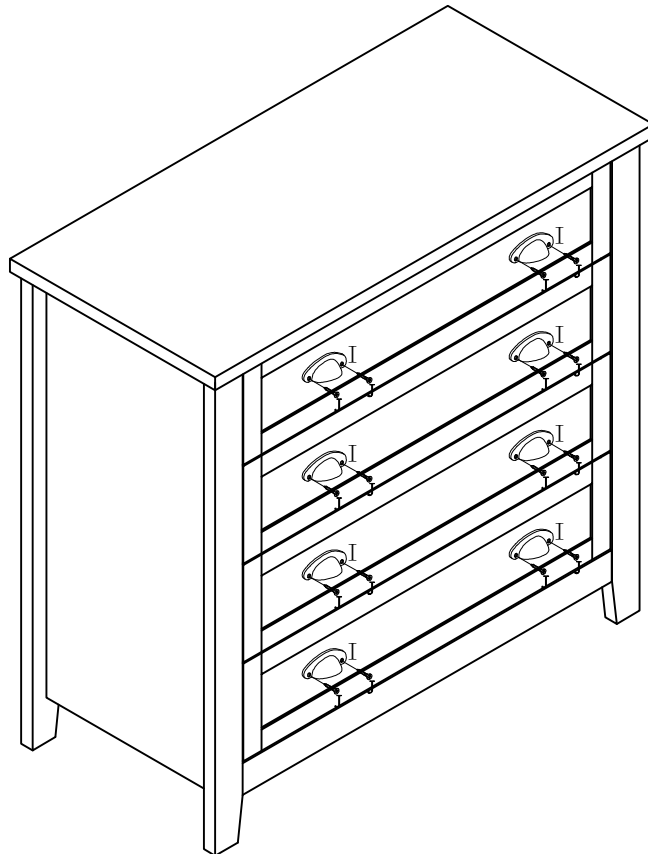


16pcs

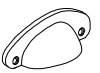
16



17



I



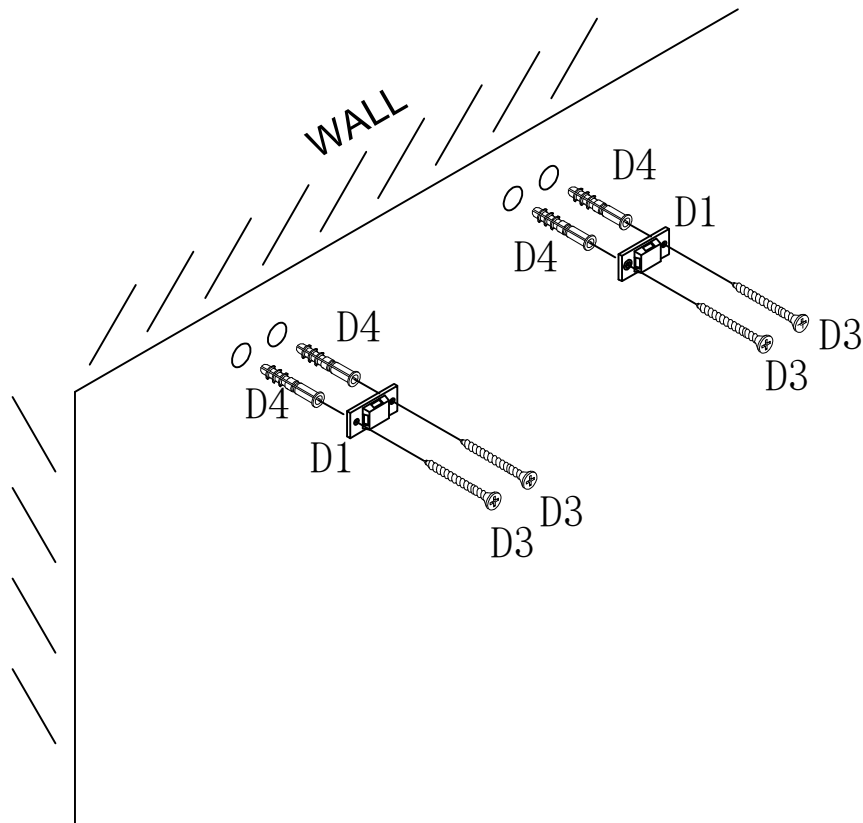
8pcs




J



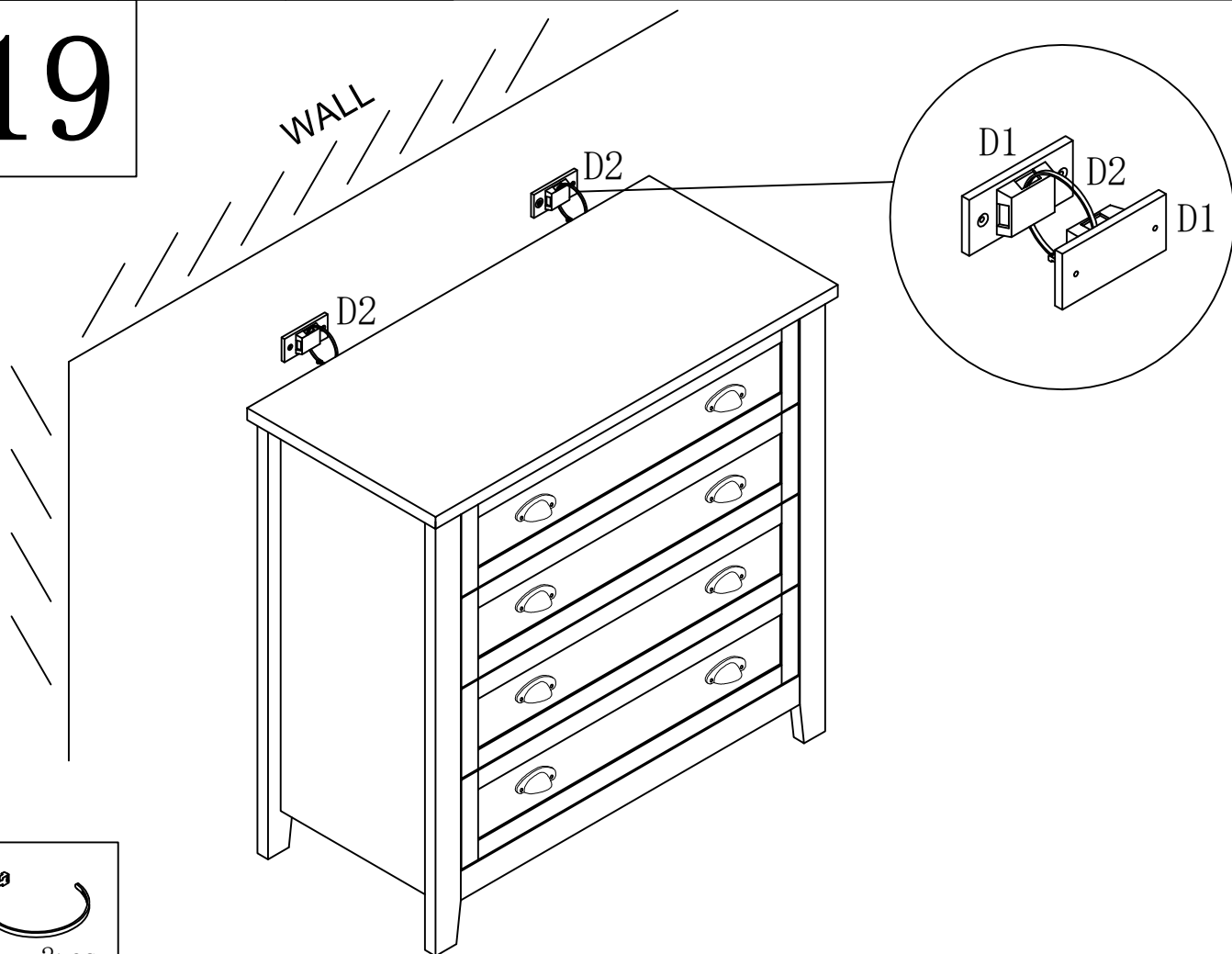
16pcs


18



D1	D3	D4
		
2pcs	4pcs	4pcs

19



D2

2pcs