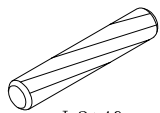
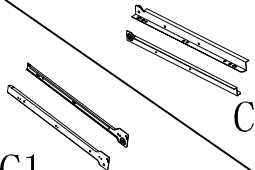

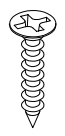
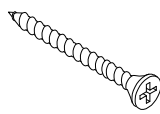
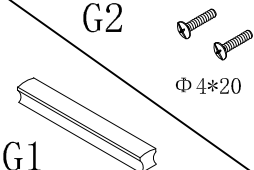
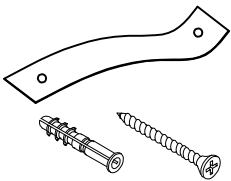
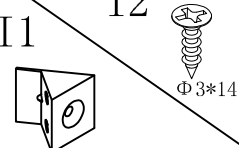
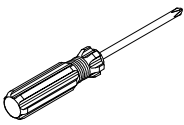
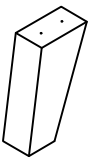
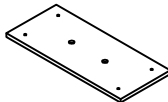

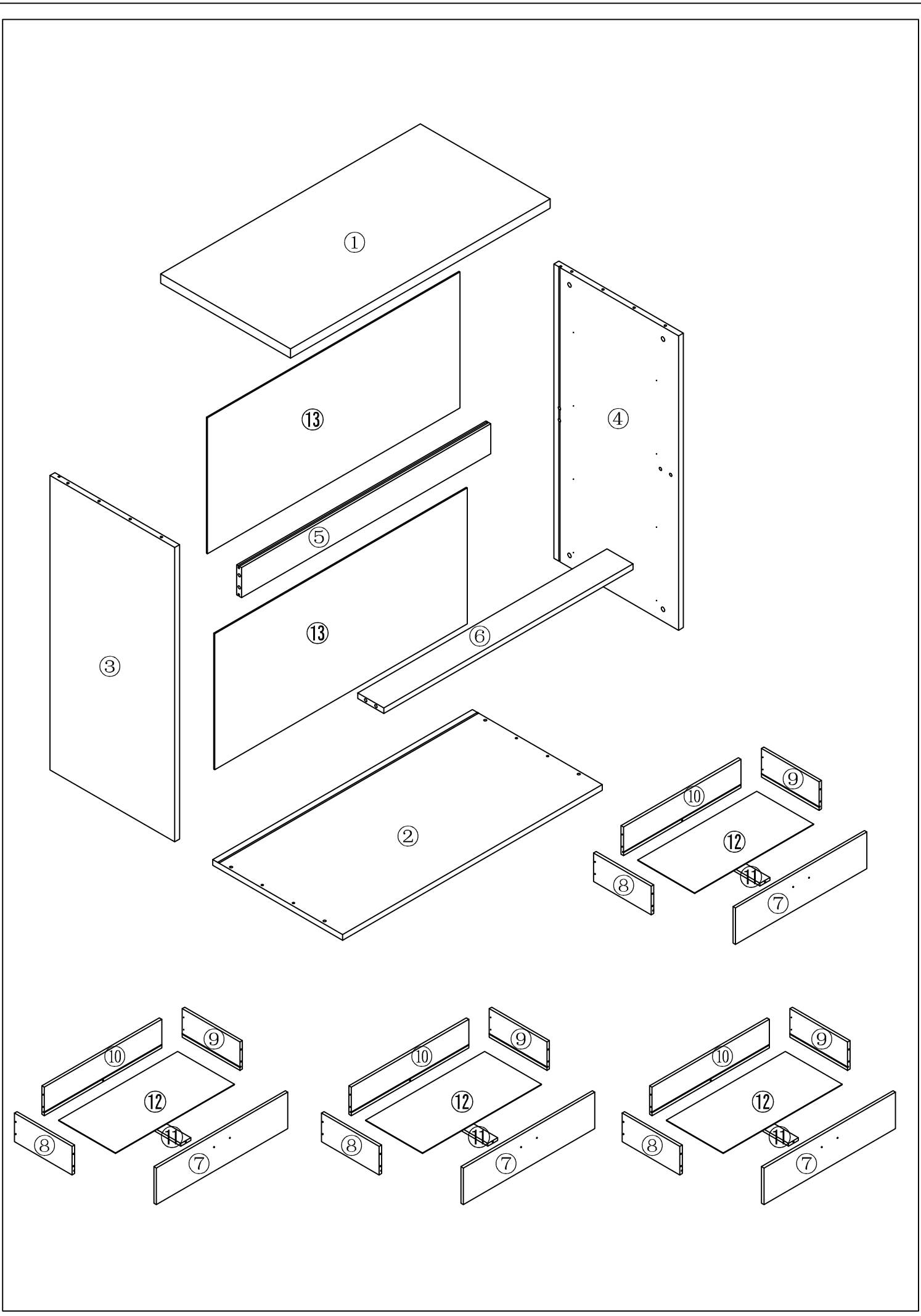
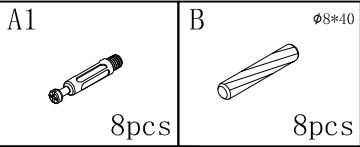
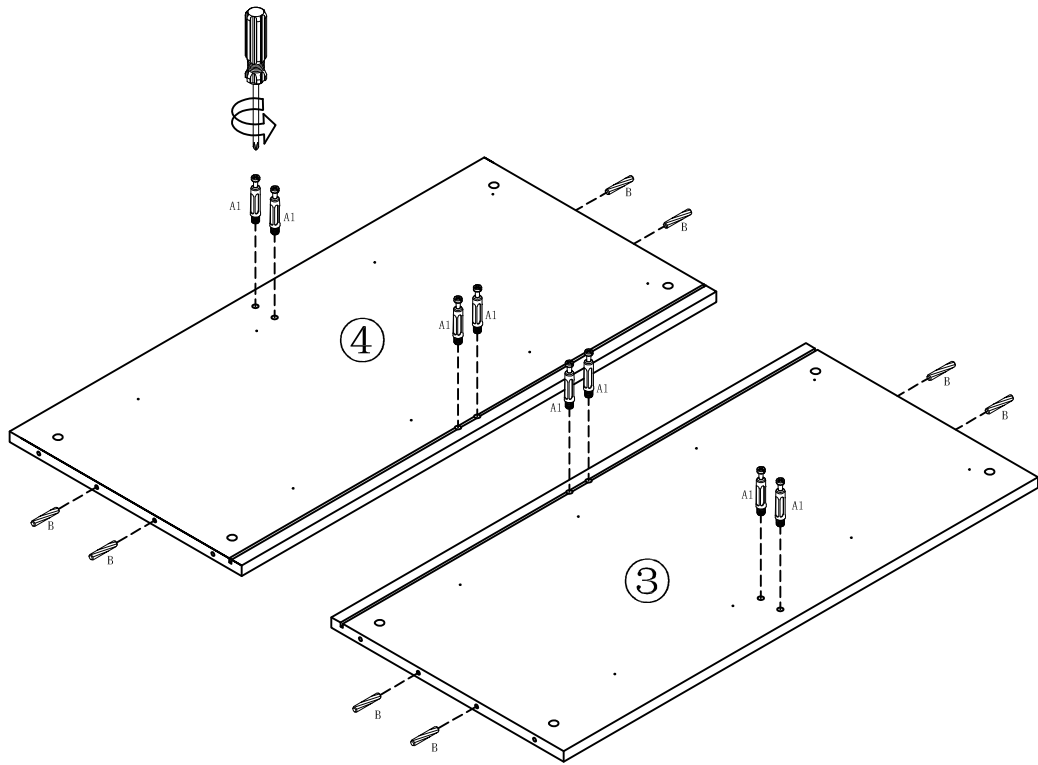
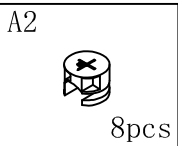
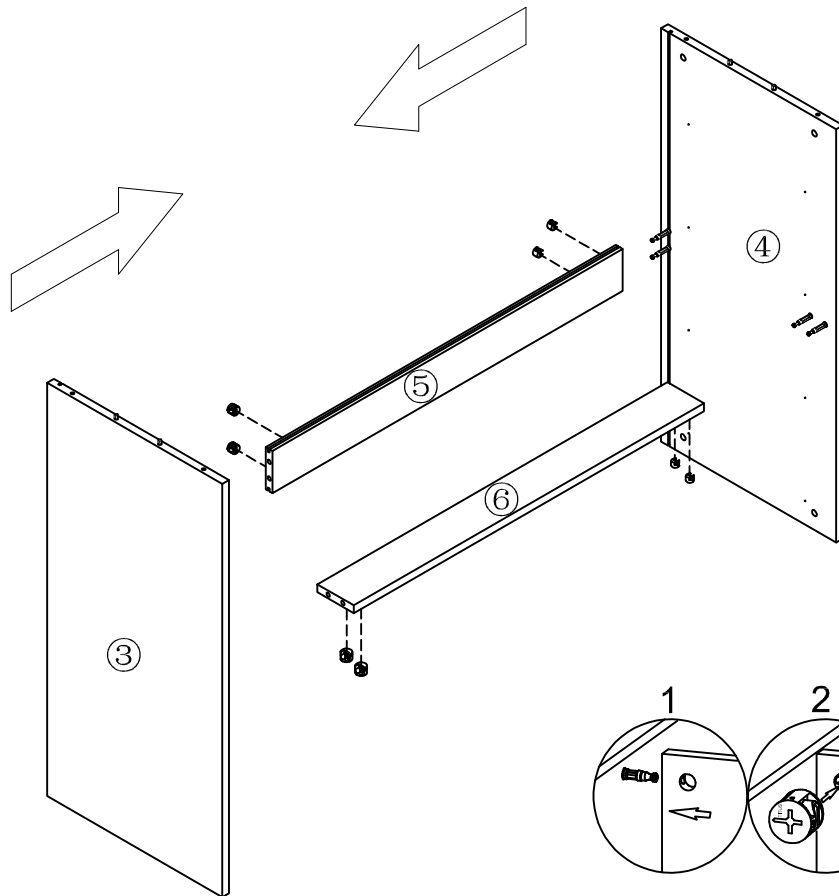
 <p>A1 A2</p>	 <p>$\Phi 8 \times 40$</p>	 <p>C1 C2</p>	 <p>$\Phi 3.5 \times 14$</p>	 <p>$\Phi 3.5 \times 25$</p>
<p>A \times 40</p>	<p>B \times 8</p>	<p>C \times 4</p>	<p>D \times 50</p>	<p>E \times 8</p>
 <p>$\Phi 3.5 \times 35$</p>	 <p>G1 G2 $\Phi 4 \times 20$</p>	 <p>H</p>	 <p>I1 I2 $\Phi 3 \times 14$</p>	 <p>J</p>
<p>F \times 16</p>	<p>G \times 4</p>	<p>H \times 2</p>	<p>I \times 8</p>	<p>J \times 1</p>
 <p>K</p>	 <p>L</p>	 <p>$\Phi 20$</p> <p>M</p>		
<p>K \times 4</p>	<p>L \times 4</p>	<p>M \times 40</p>		



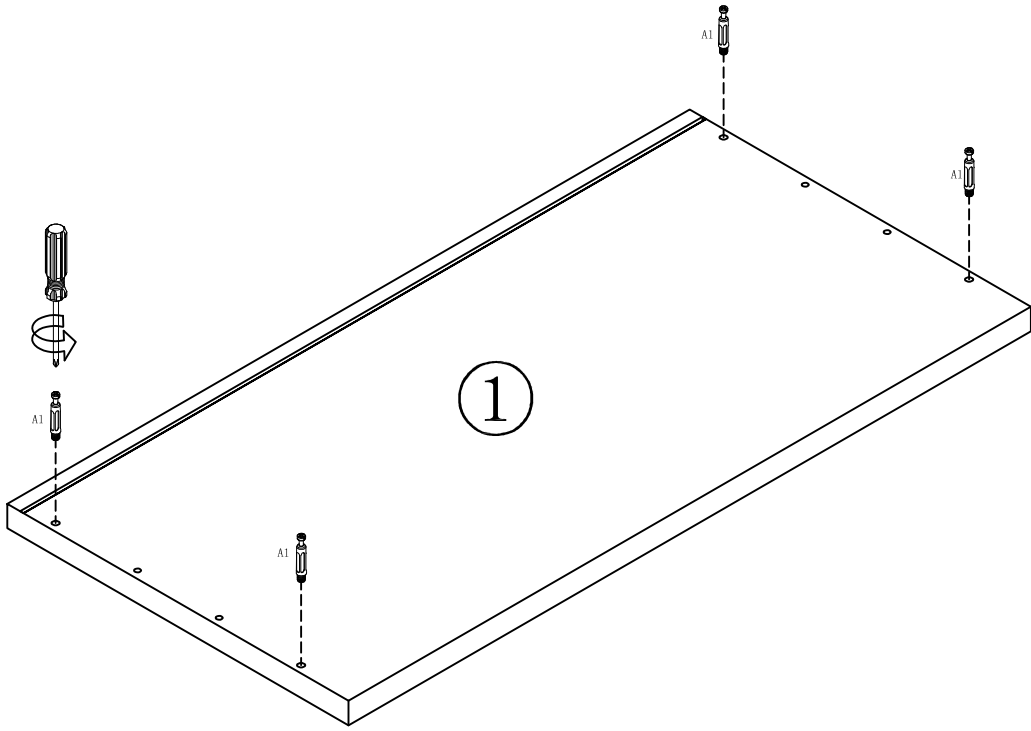
1



2



3

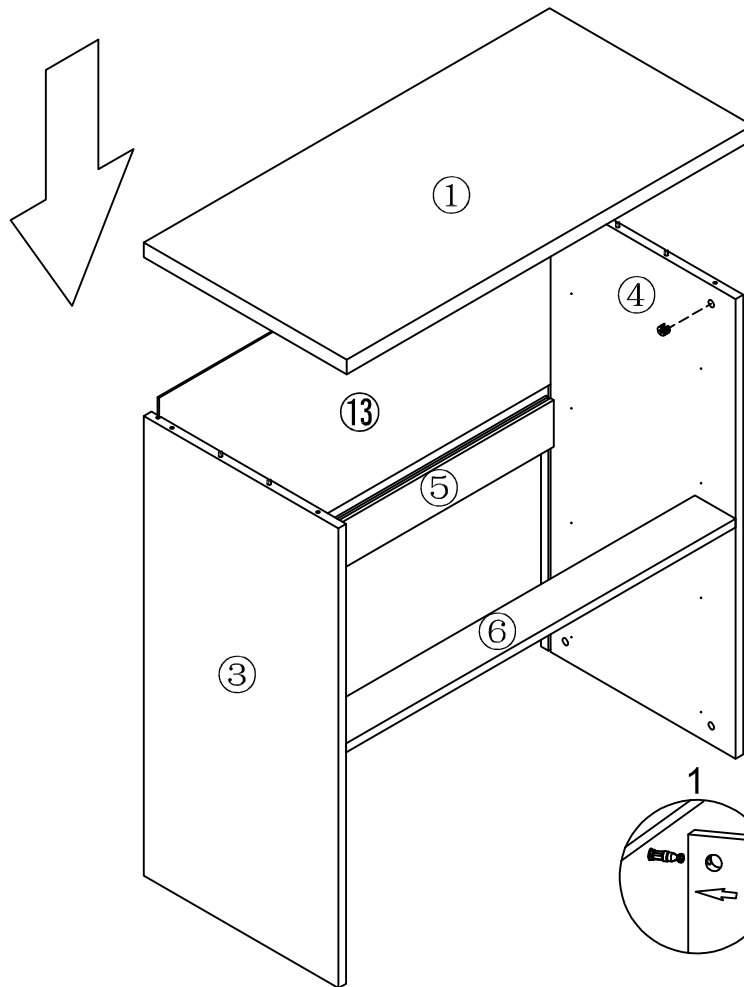


A1



4pcs

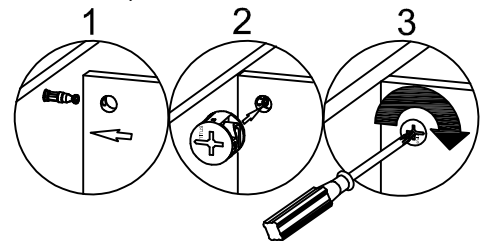
4



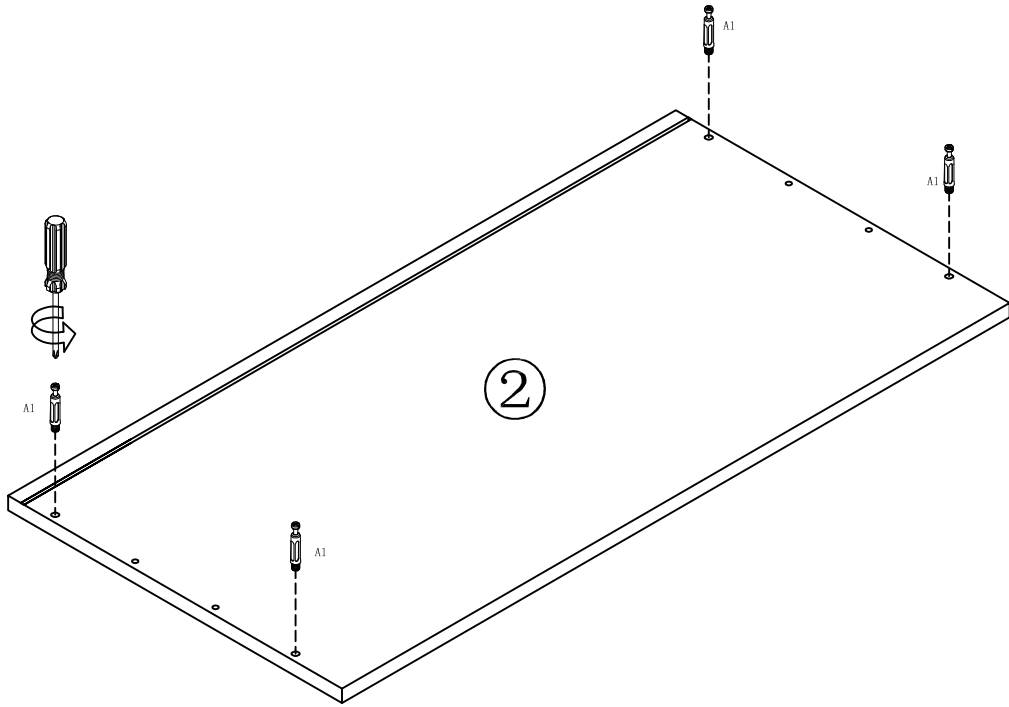
A2



4pcs



5

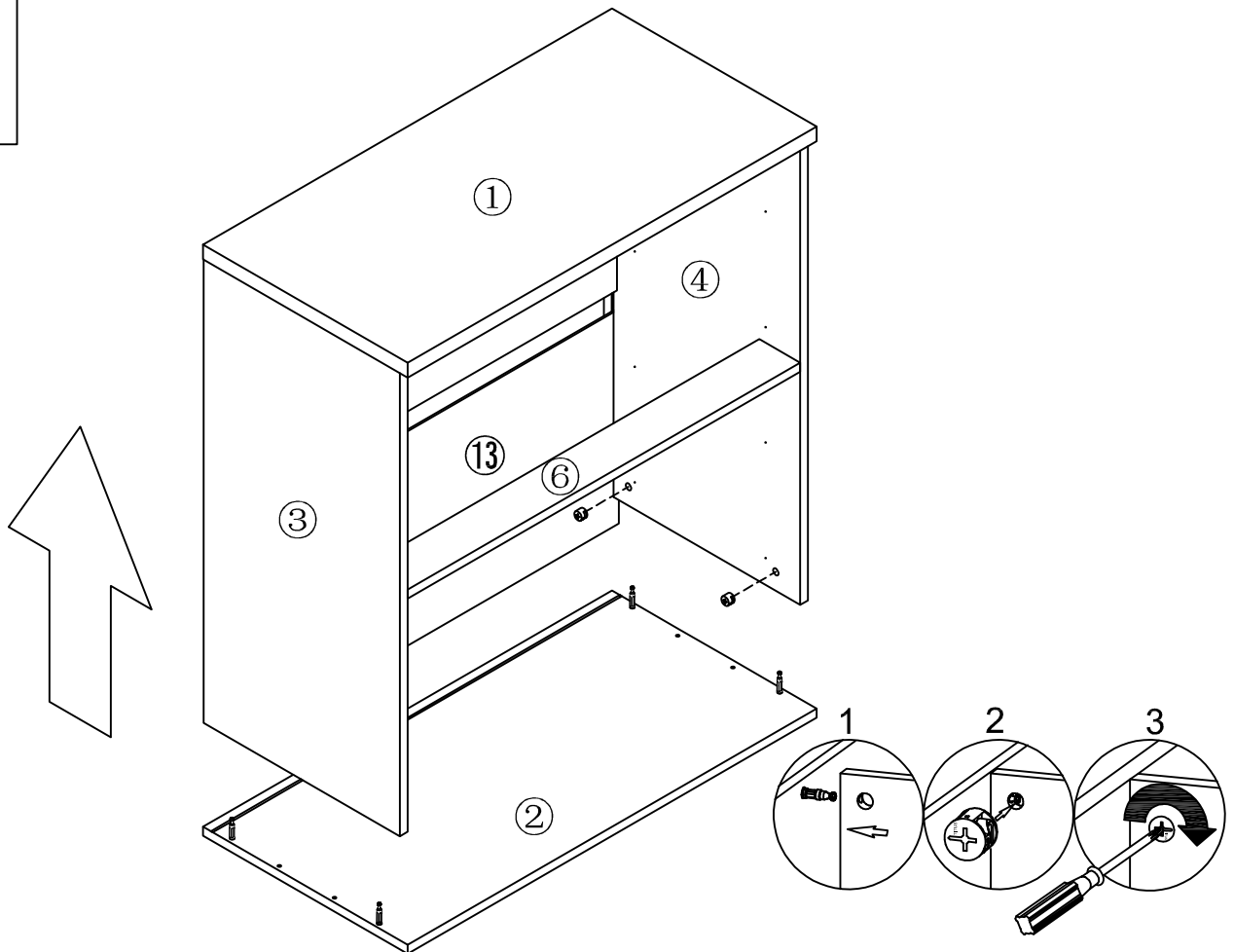


A1



4pcs

6

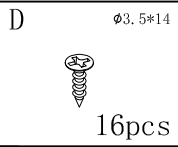
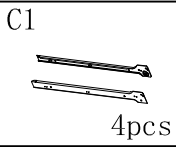
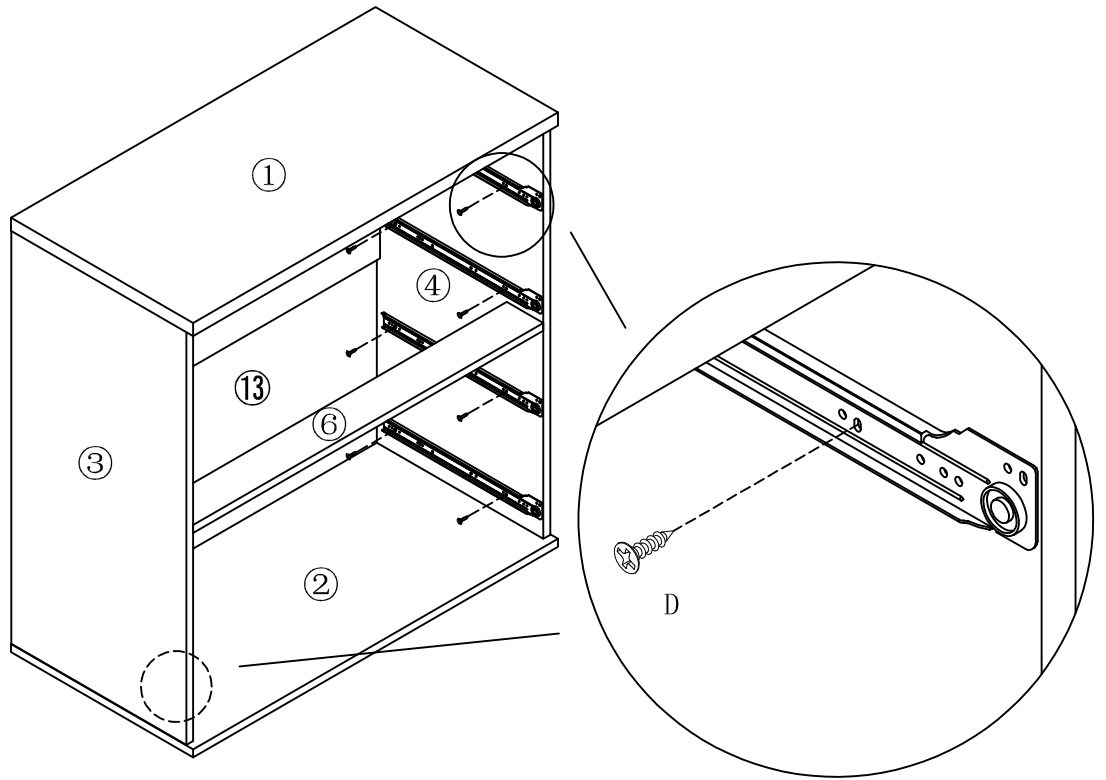


A2

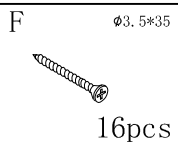
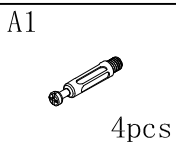
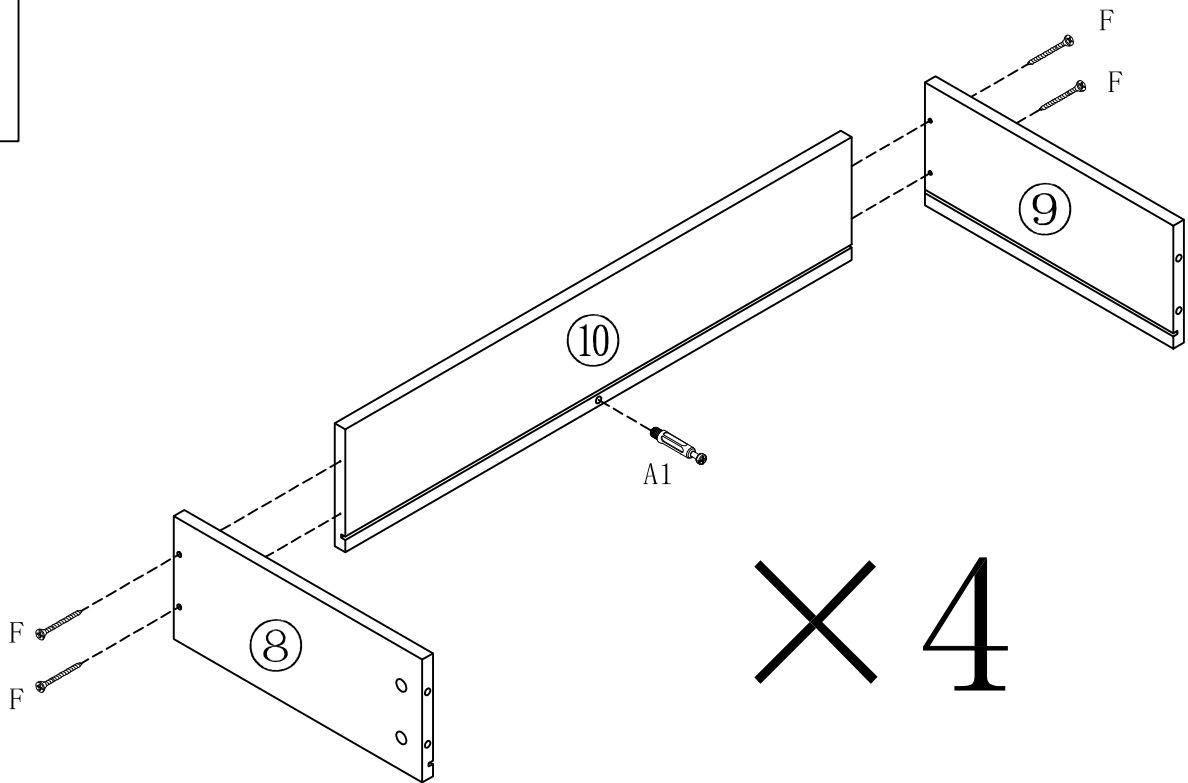


4pcs

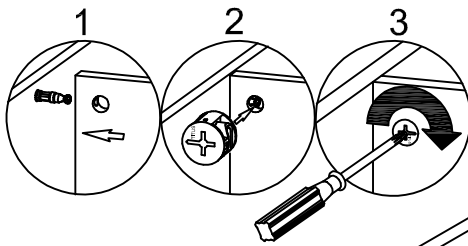
7



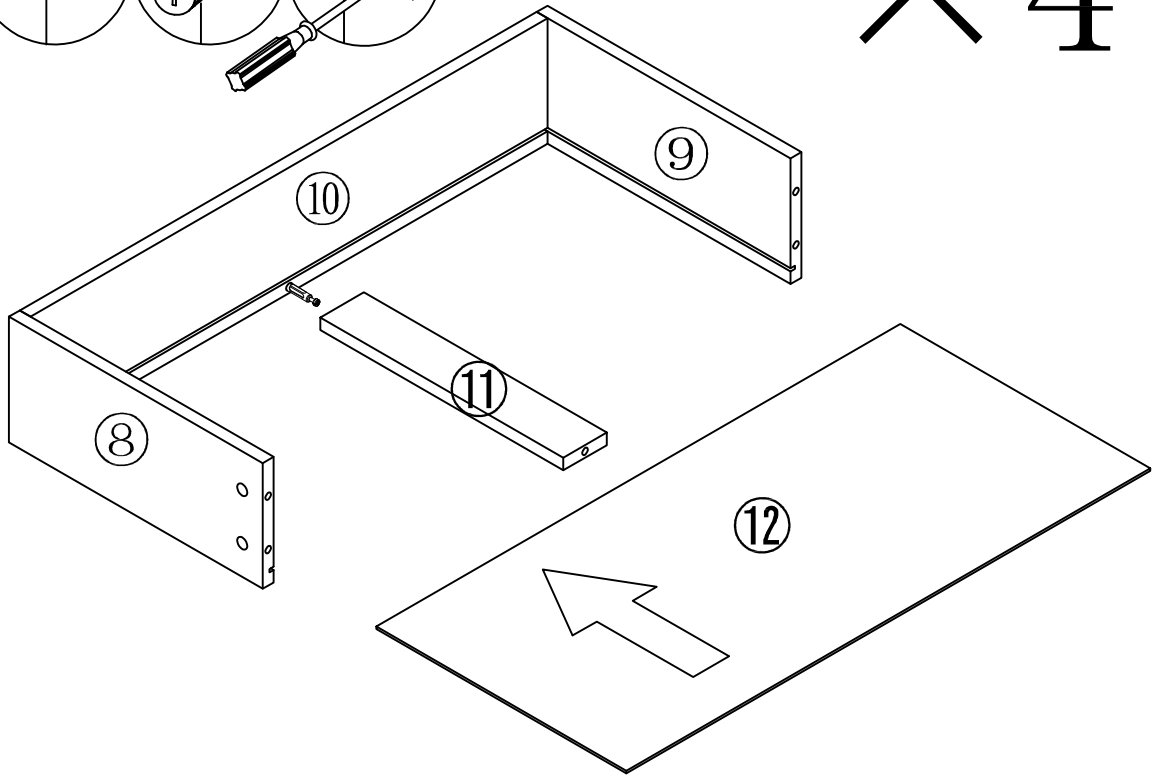
8



9



× 4

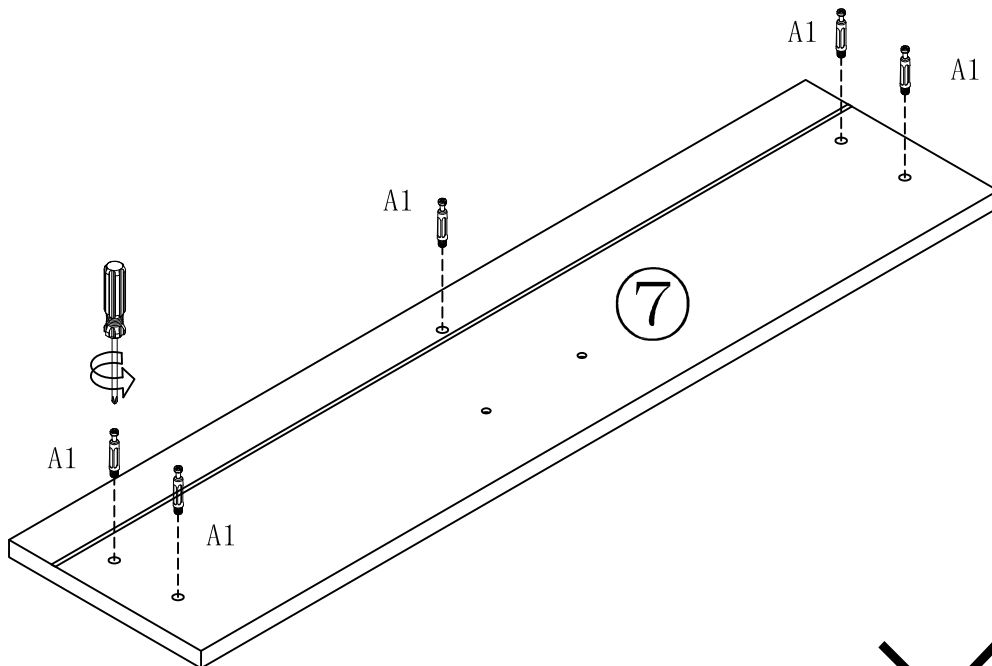


A2



4pcs

10



× 4

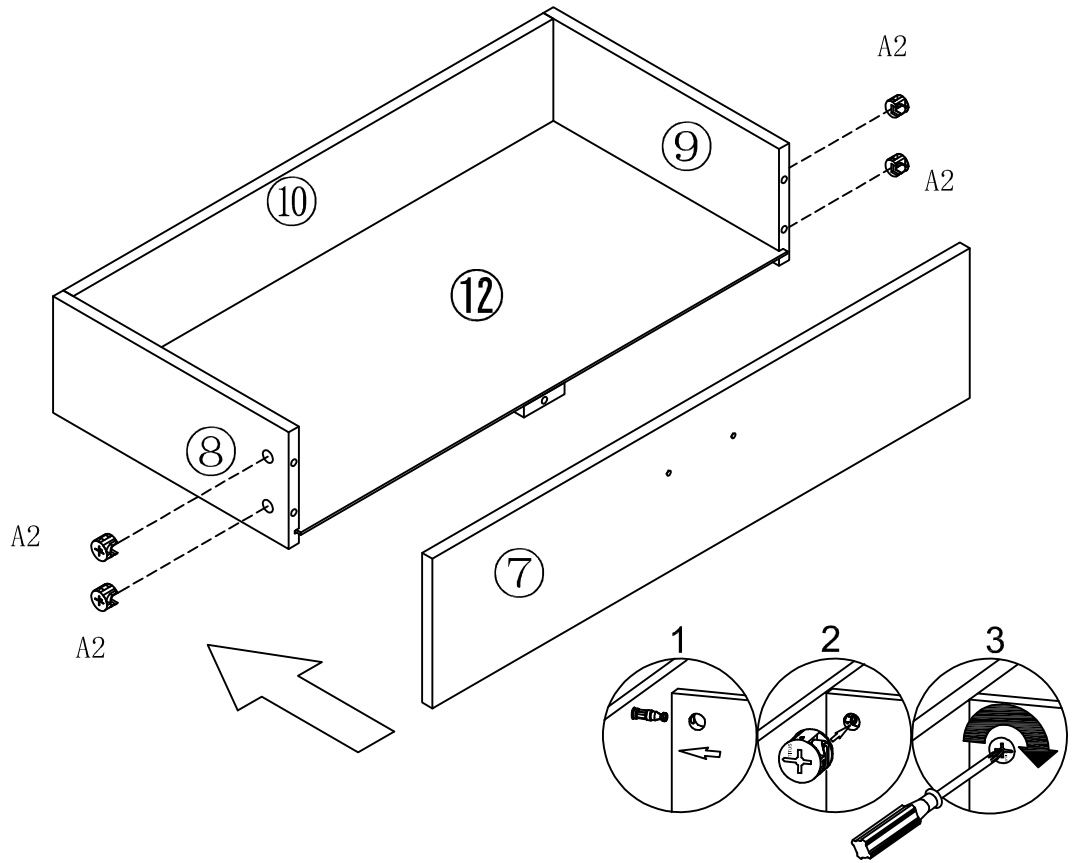
A1



20pcs

11

× 4

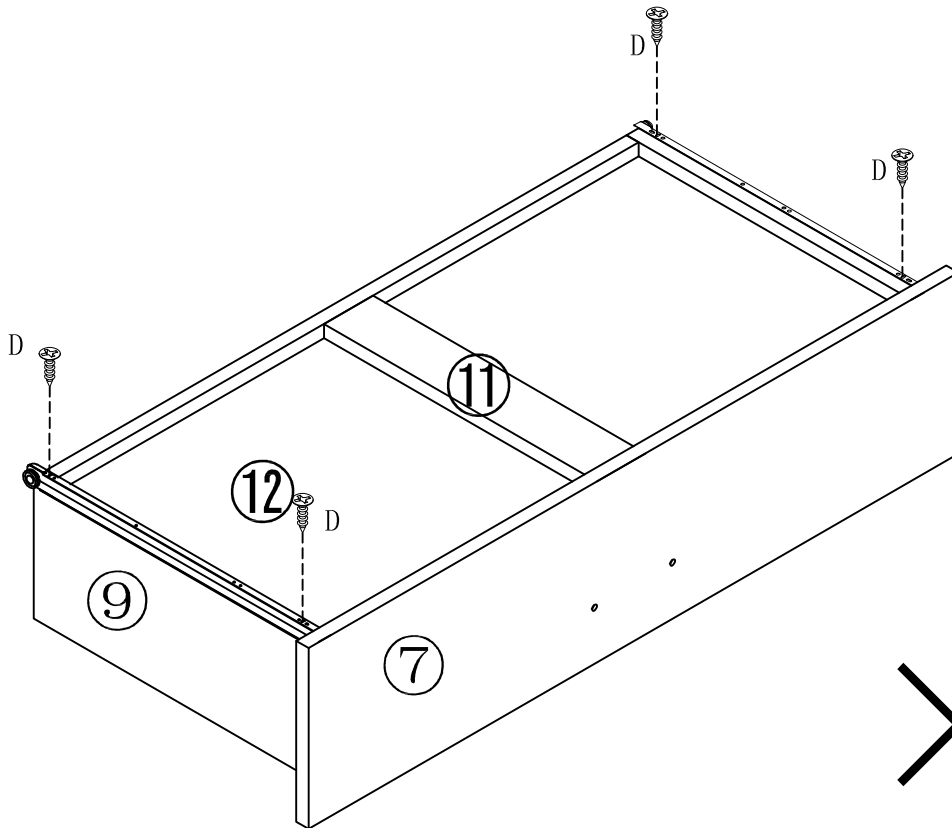


A2



20pcs

12



× 4

C2



4pcs

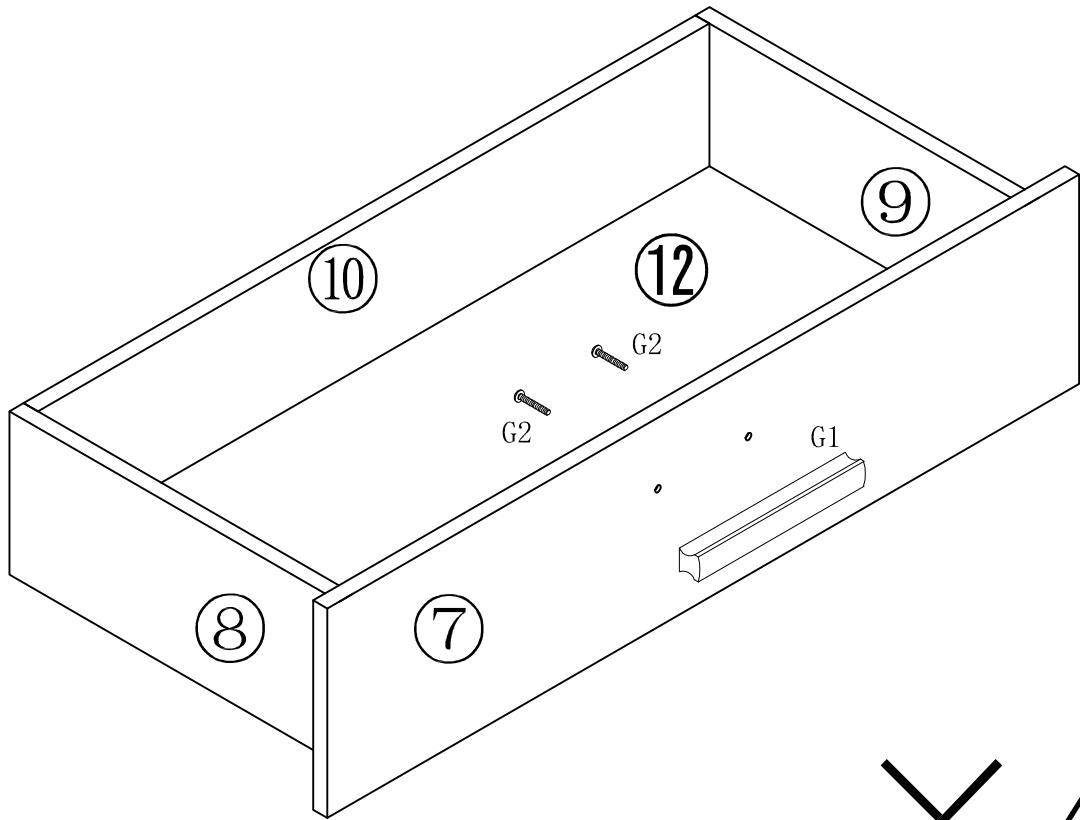
D



∅3.5*14

16pcs

13



× 4

G1



4pcs

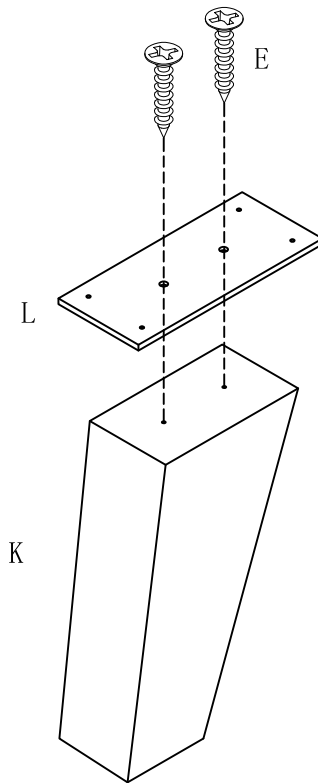
G2

φ4*20



8pcs

14



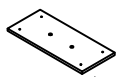
× 4

K



4pcs

L



4pcs

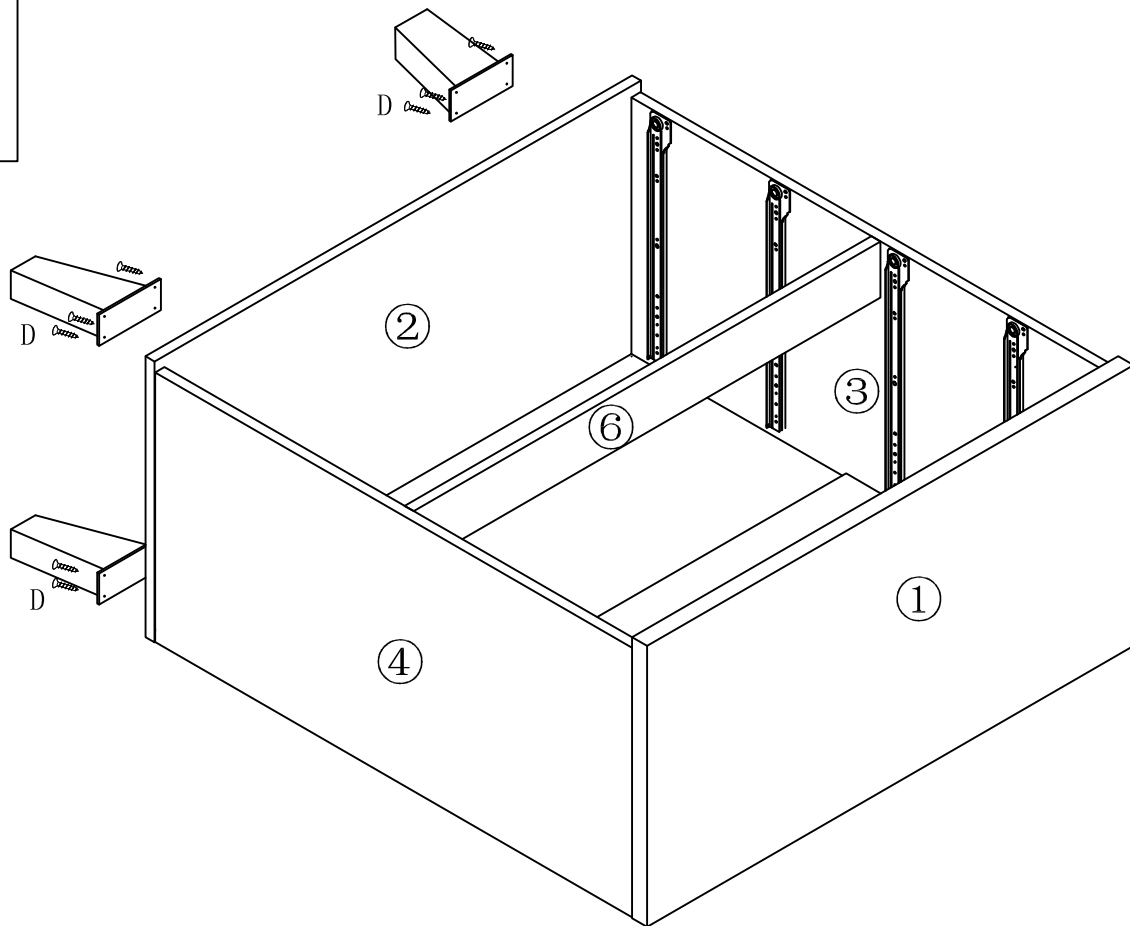
E


φ3.5*25



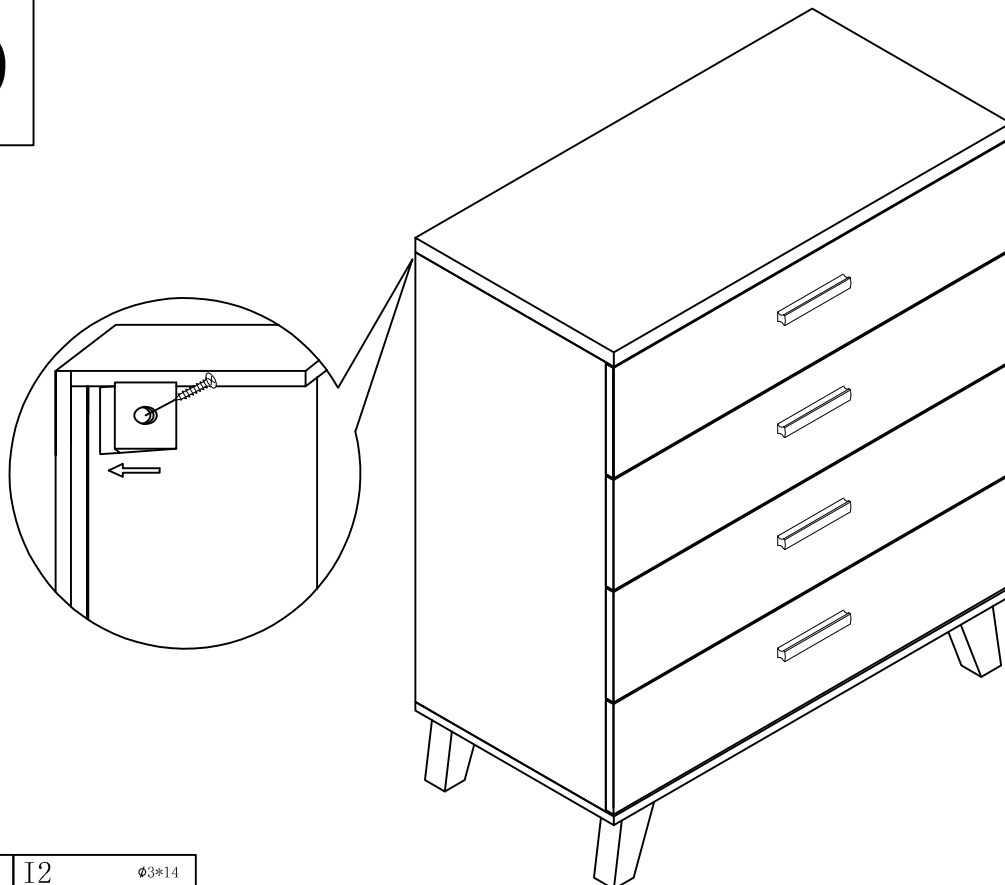
8pcs


15




D $\varnothing 3.5 \times 14$

16pcs

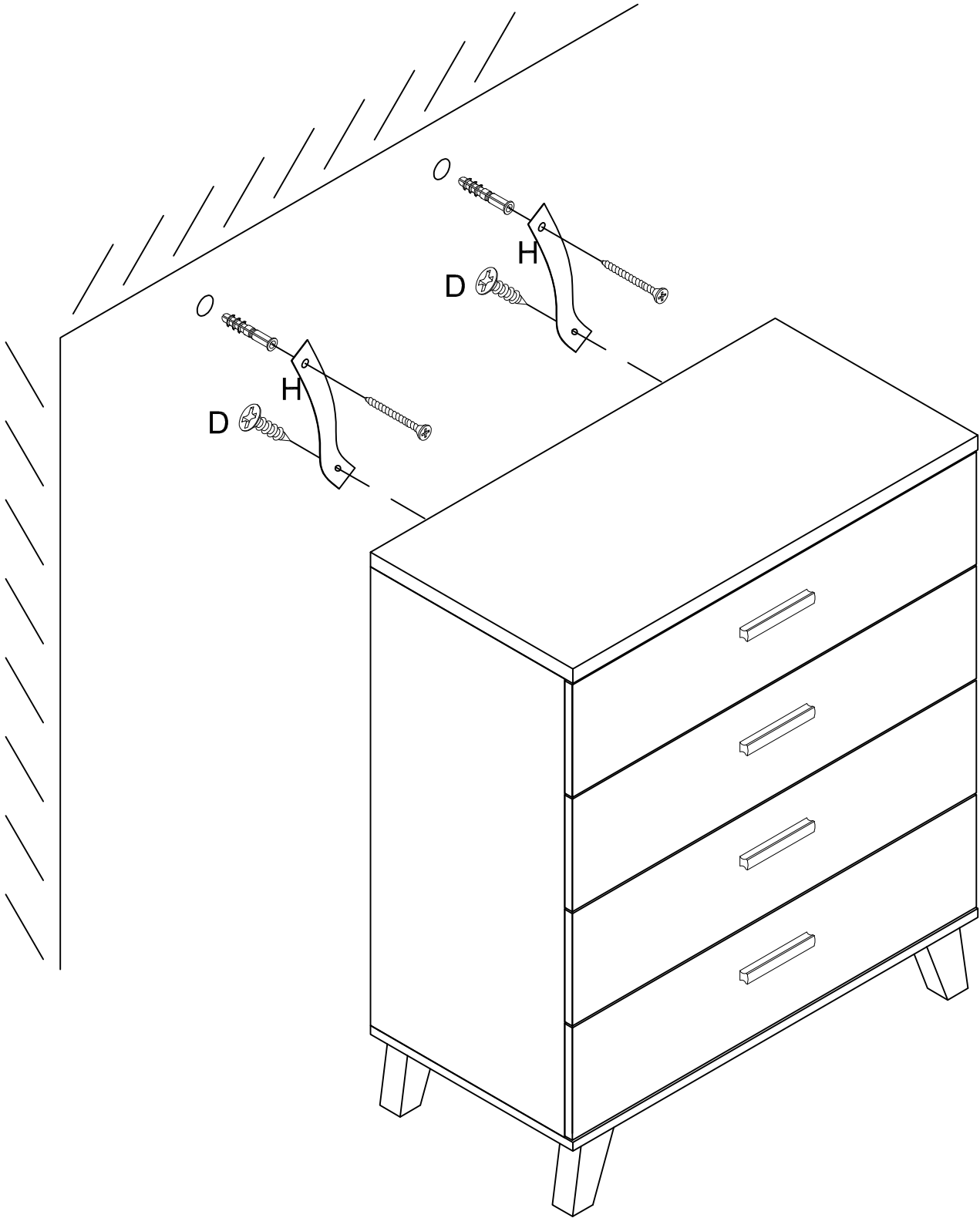
16





I1

8pcs

I2 $\varnothing 3 \times 14$

8pcs

17



D	Ø3.5*14	H
		
2pcs		2pcs