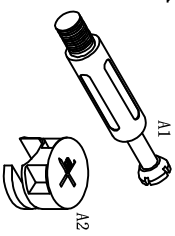
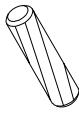
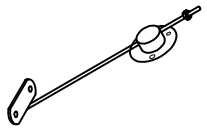
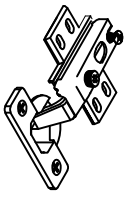
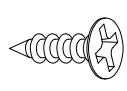
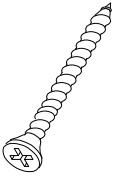
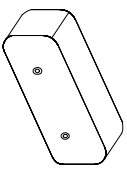
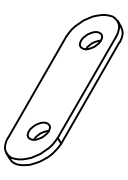
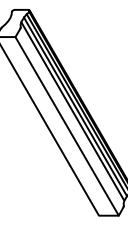




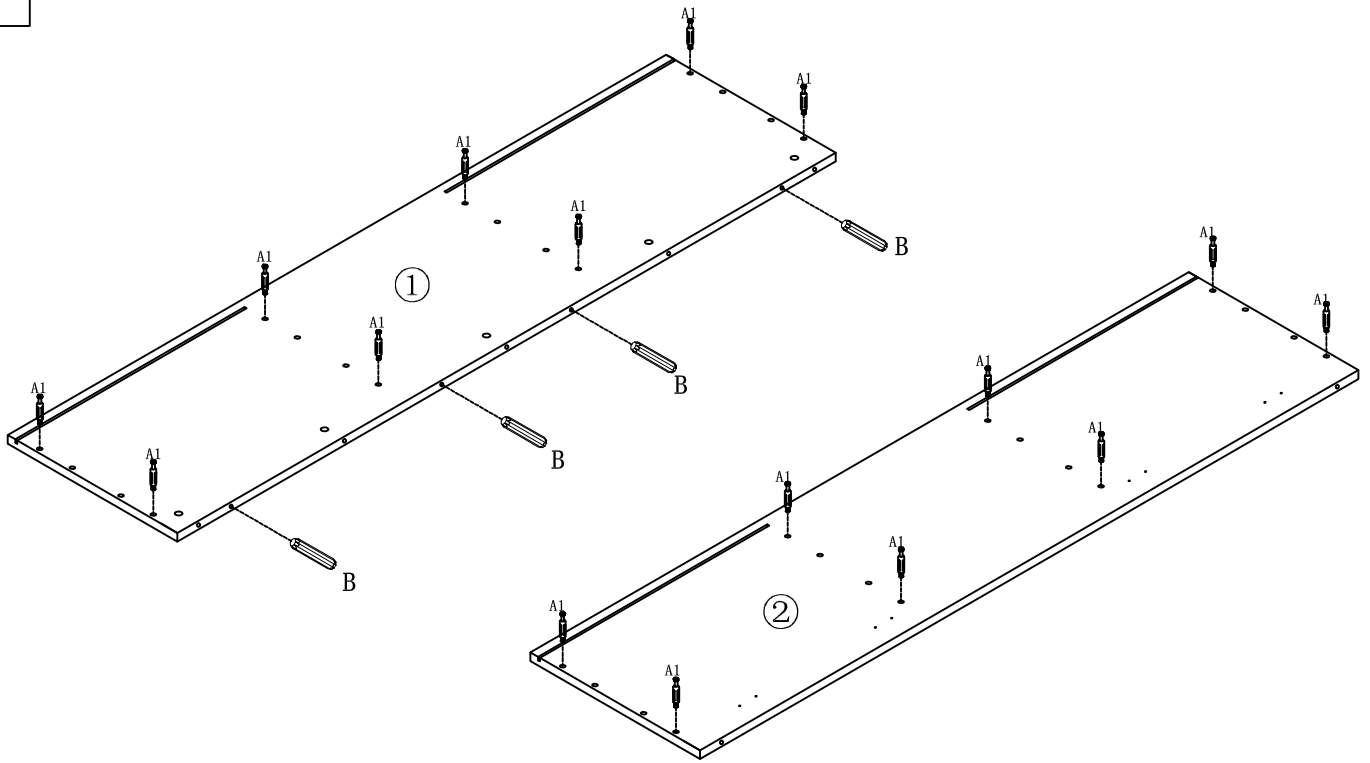
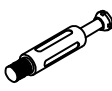
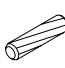


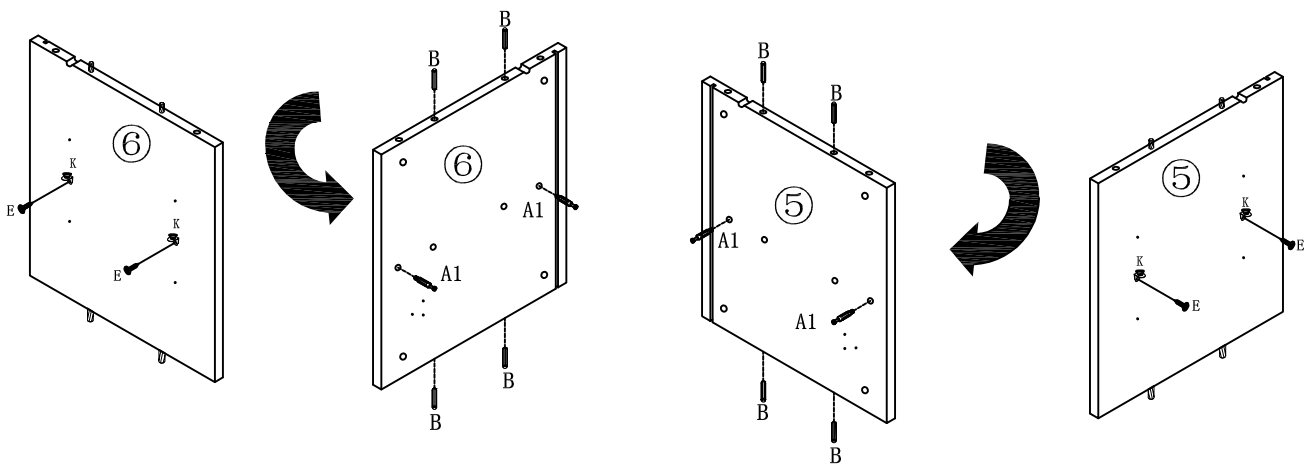
A  37pcs	B $\Phi 8*40$  32pcs	C  2pcs	D  4pcs	E $\Phi 3.5*14$  38pcs	F $\Phi 3.5*25$  10pcs	G  5pcs
H  4pcs	I  2pcs	J  4pcs	K  4pcs	L  1pcs	M  37pcs	

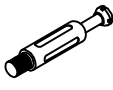
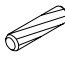


1

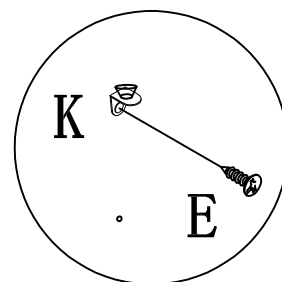


<p>A1</p>  <p>16pcs</p>	<p>B</p> <p>Φ 8*40</p>  <p>4pcs</p>
--	--

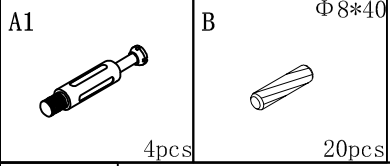
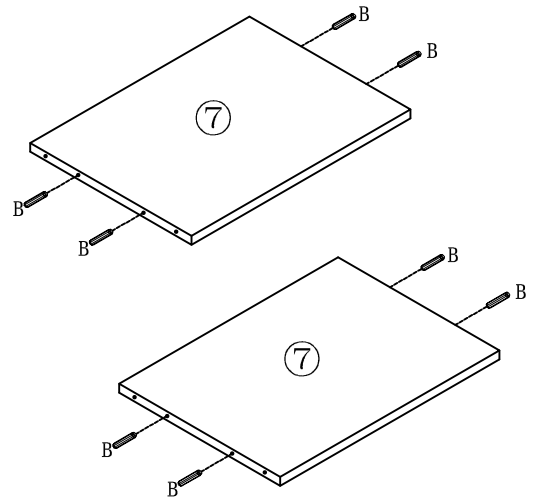
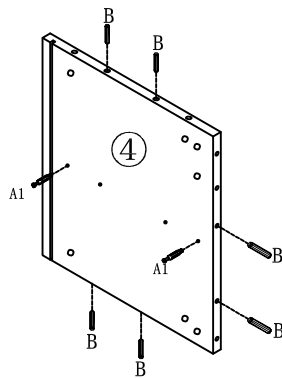
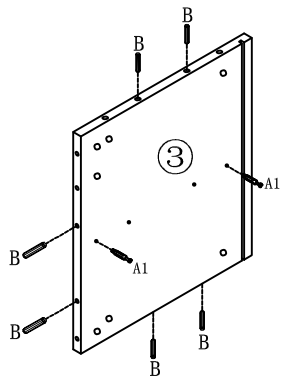
2



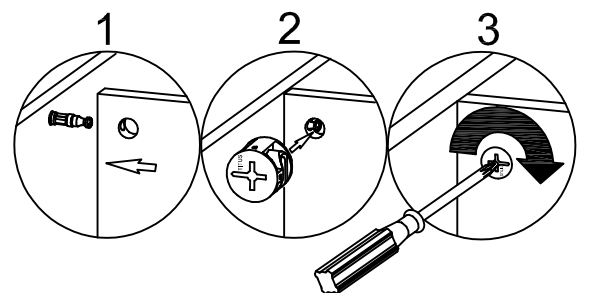
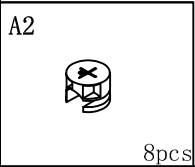
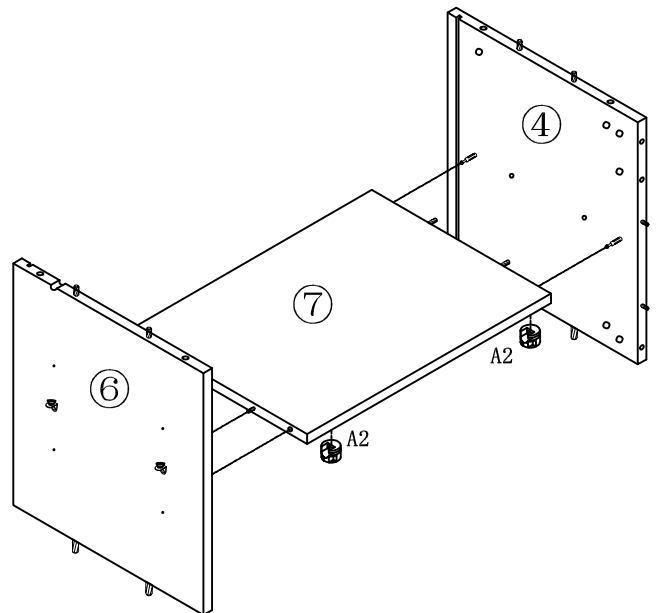
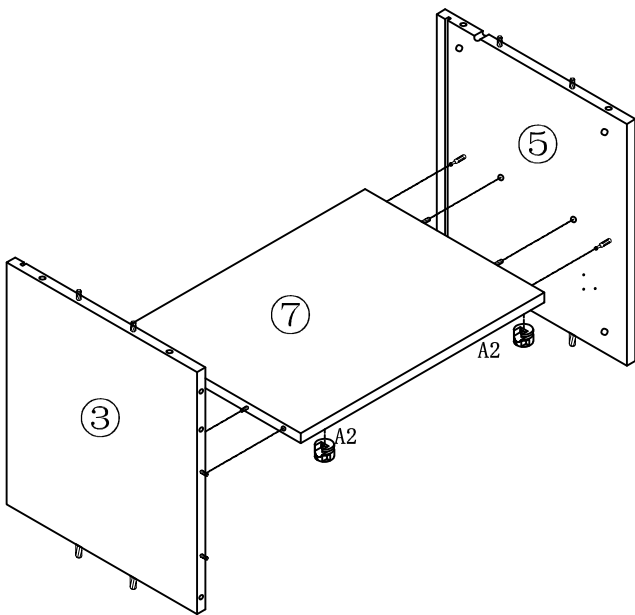
<p>A1</p>  <p>4pcs</p>	<p>B</p> <p>Φ 8*40</p>  <p>8pcs</p>	<p>E</p> <p>Φ 3.5*14</p>  <p>4pcs</p>	<p>K</p>  <p>4pcs</p>
--	--	--	--



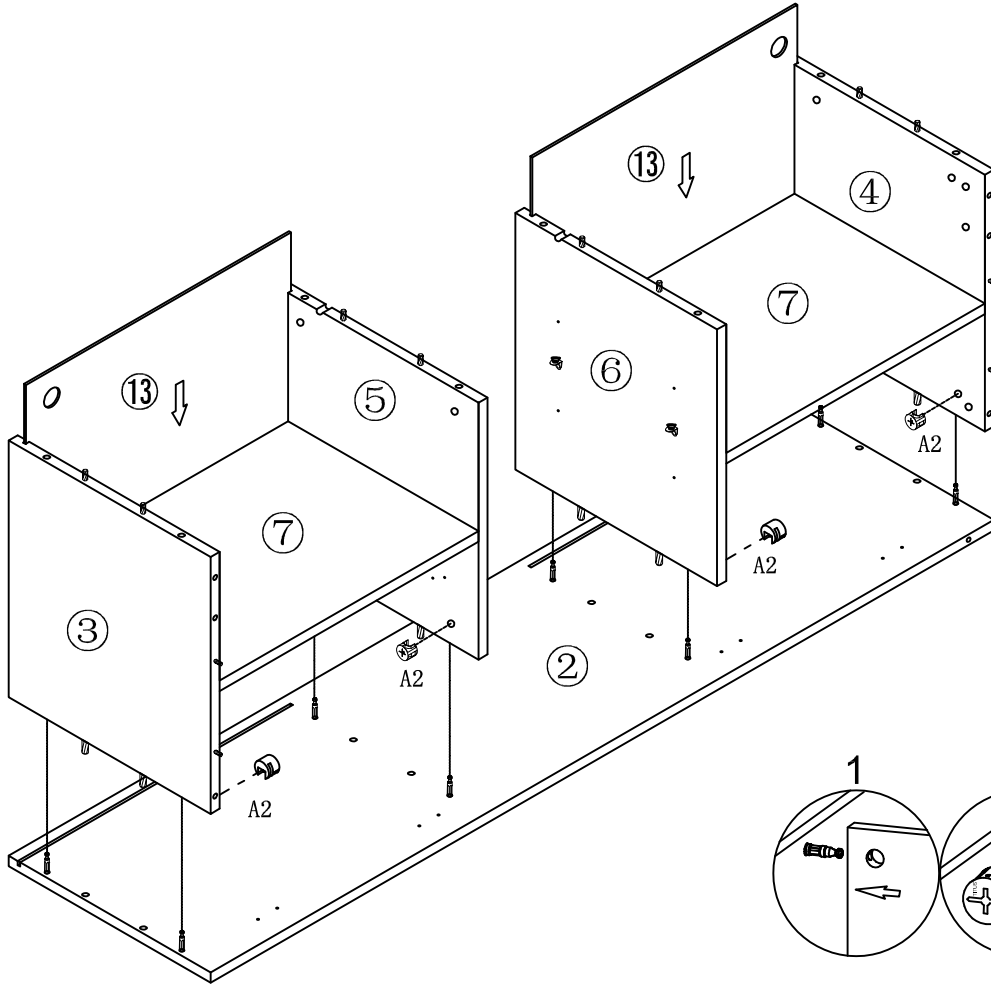
3



4



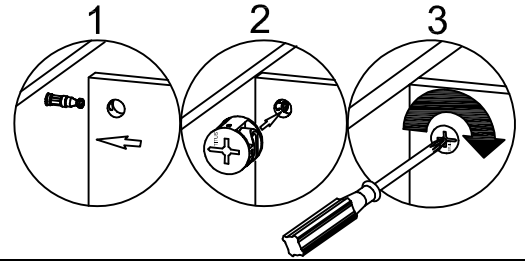
5



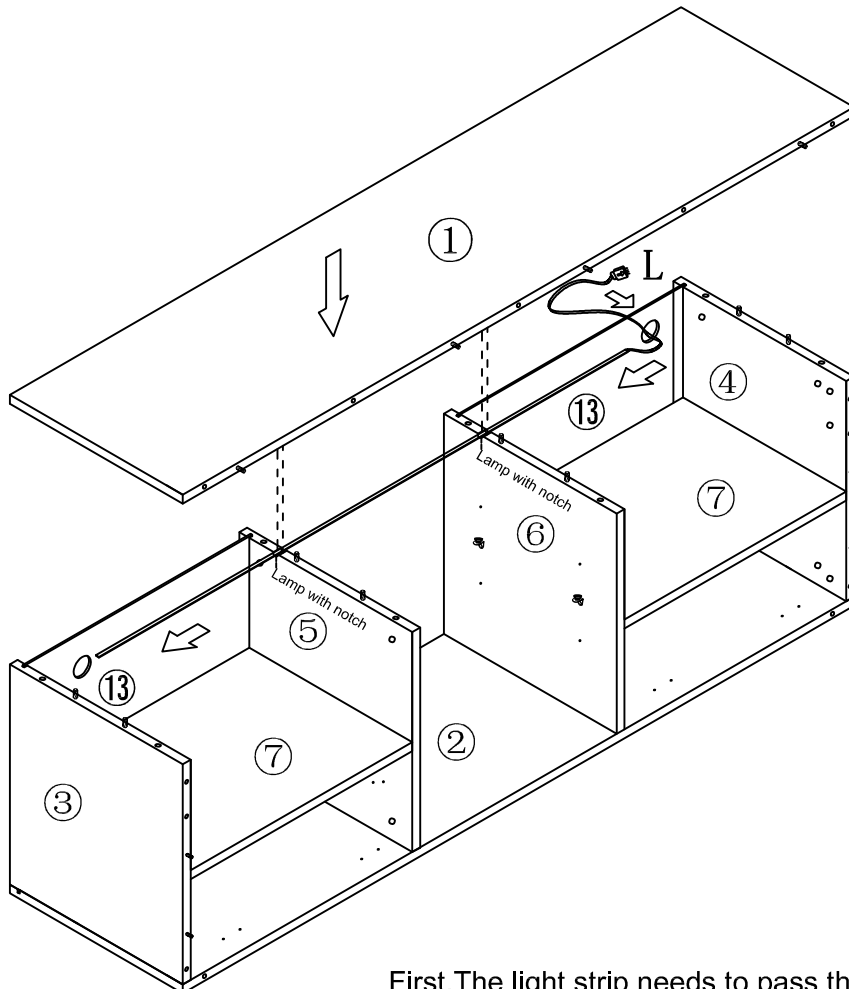
A2



8pcs



6



L



USB-LED

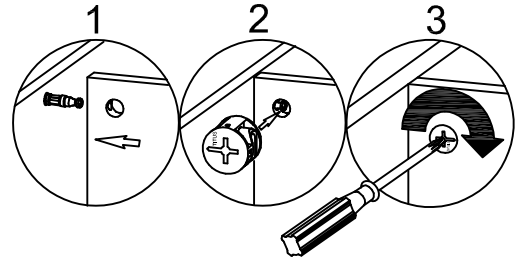
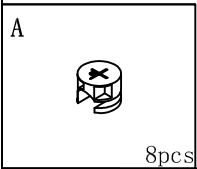
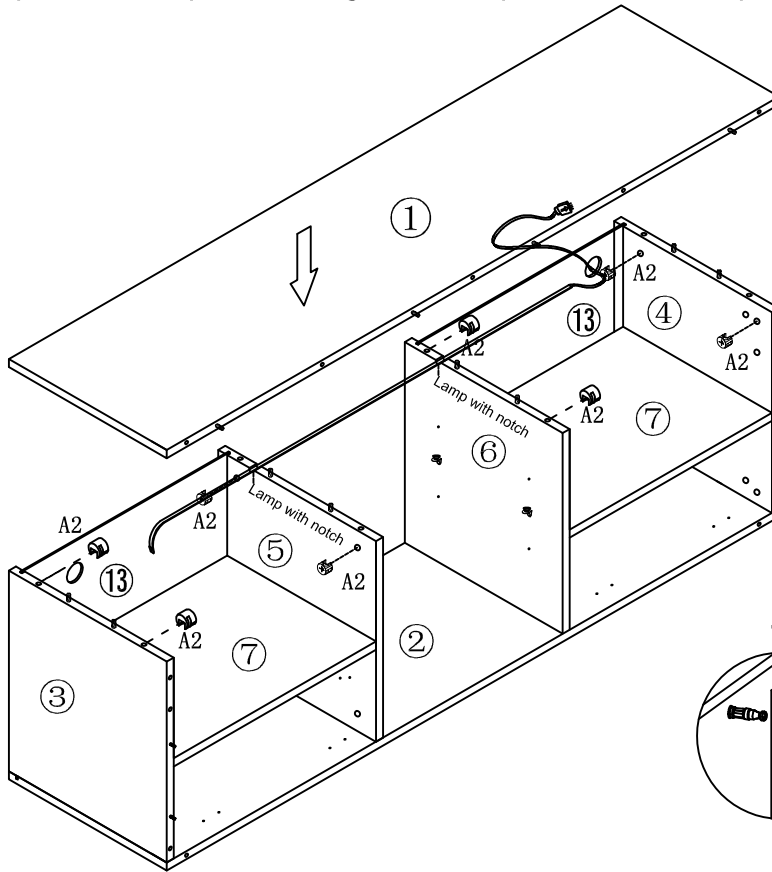
First, The light strip needs to pass through the notch of back panel

8

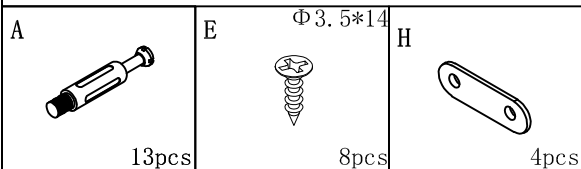
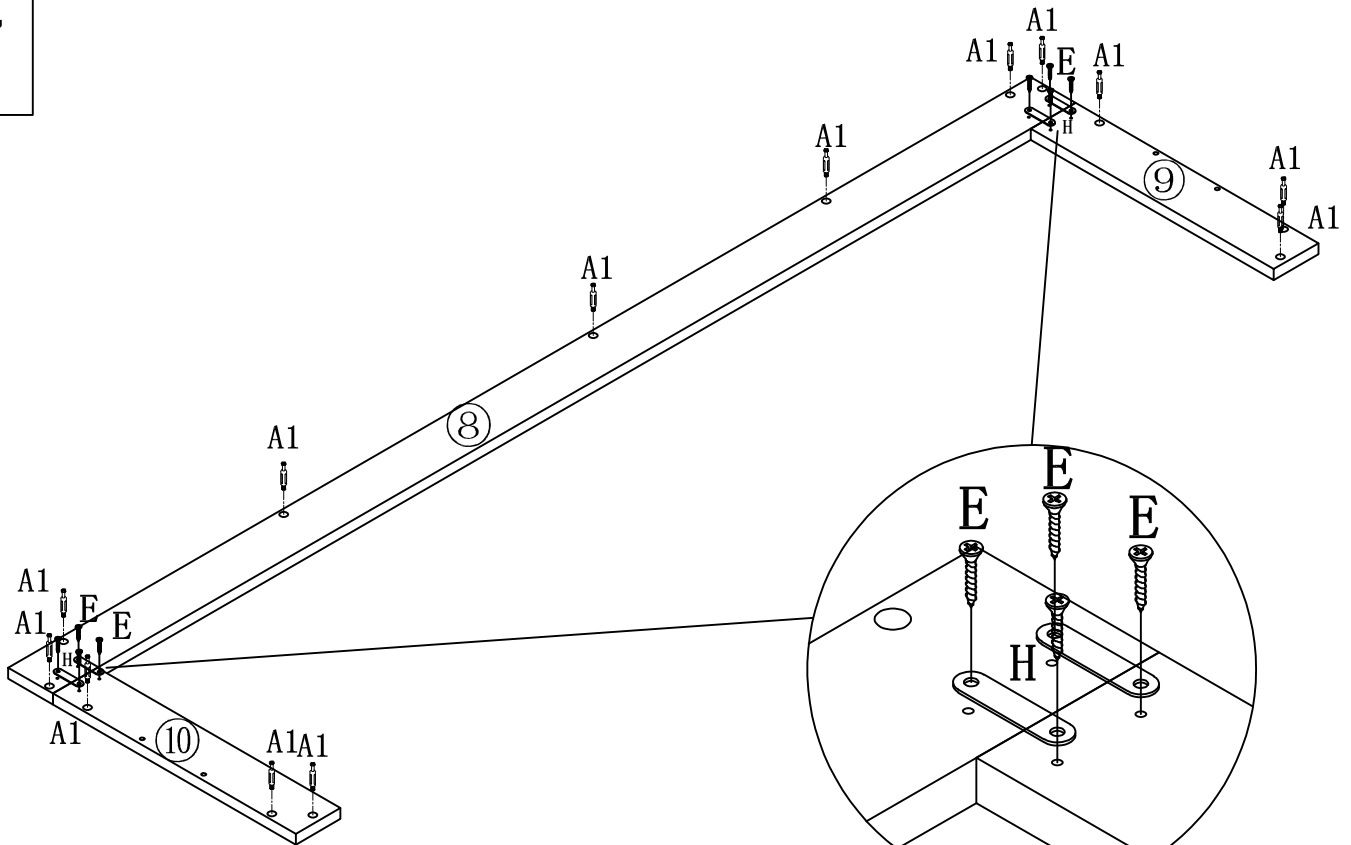
Install the CAM LOCK

Then tear off the back glue belt and fix the lamp belt on the top panel

Note: the lamp belt must pass through the lamp belt slot when passing through

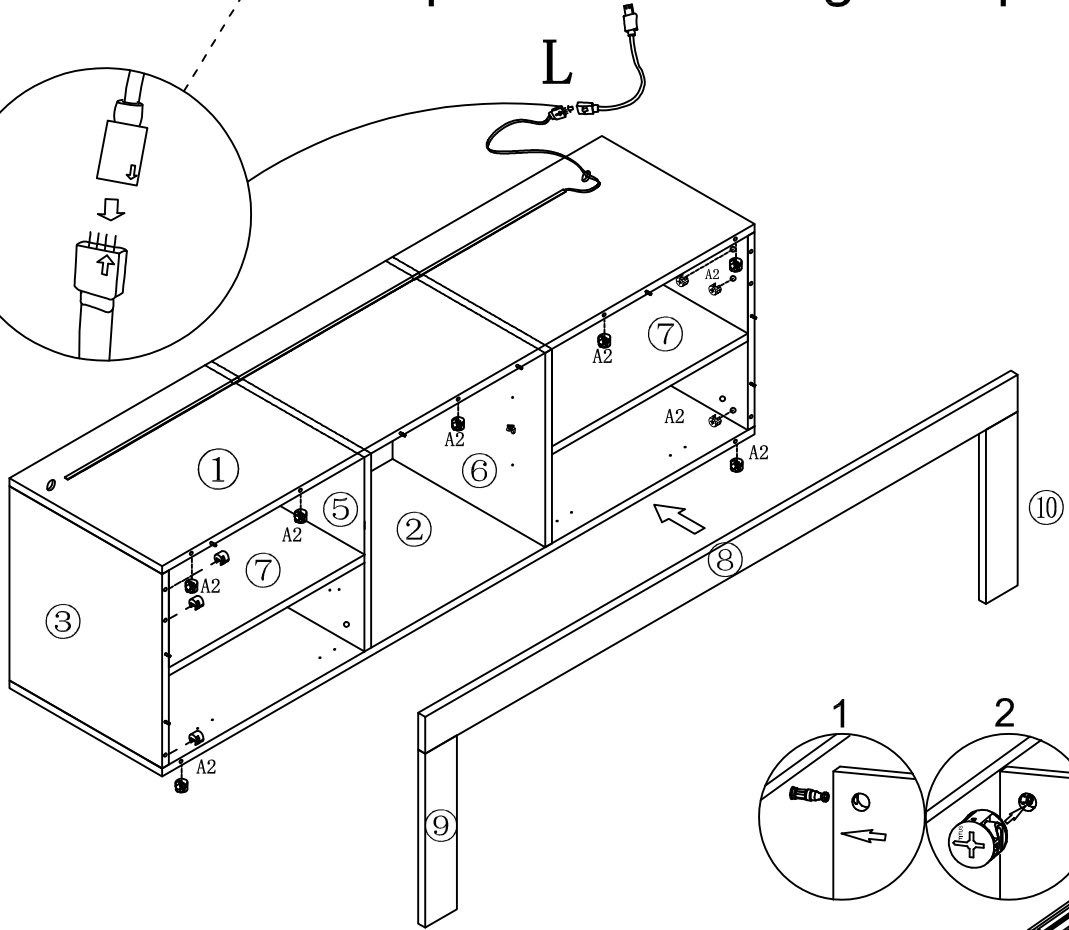
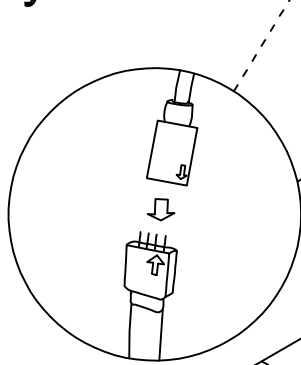
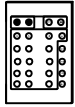


7



9

Pay attention to the positive and negative poles

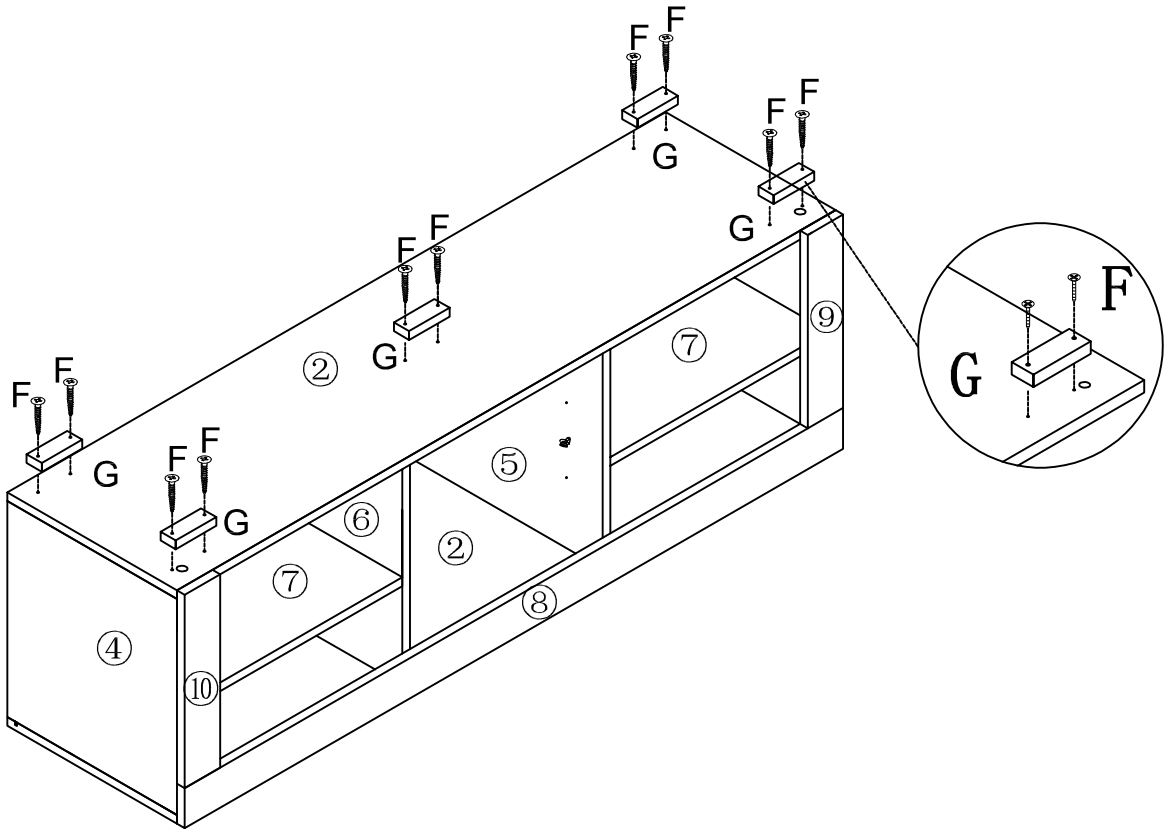


A2



13pcs

10



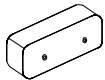
F

$\Phi 3.5 \times 25$

G

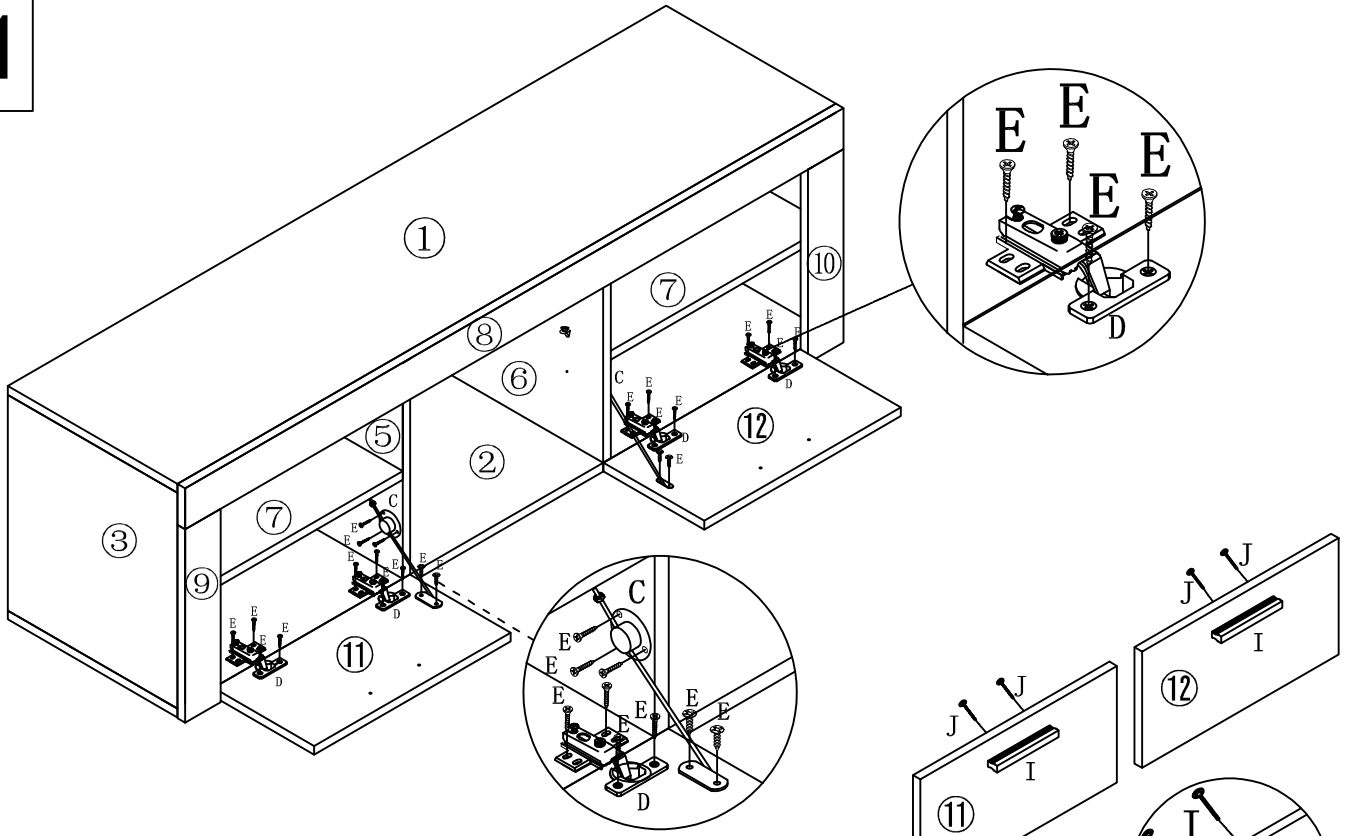







10pcs



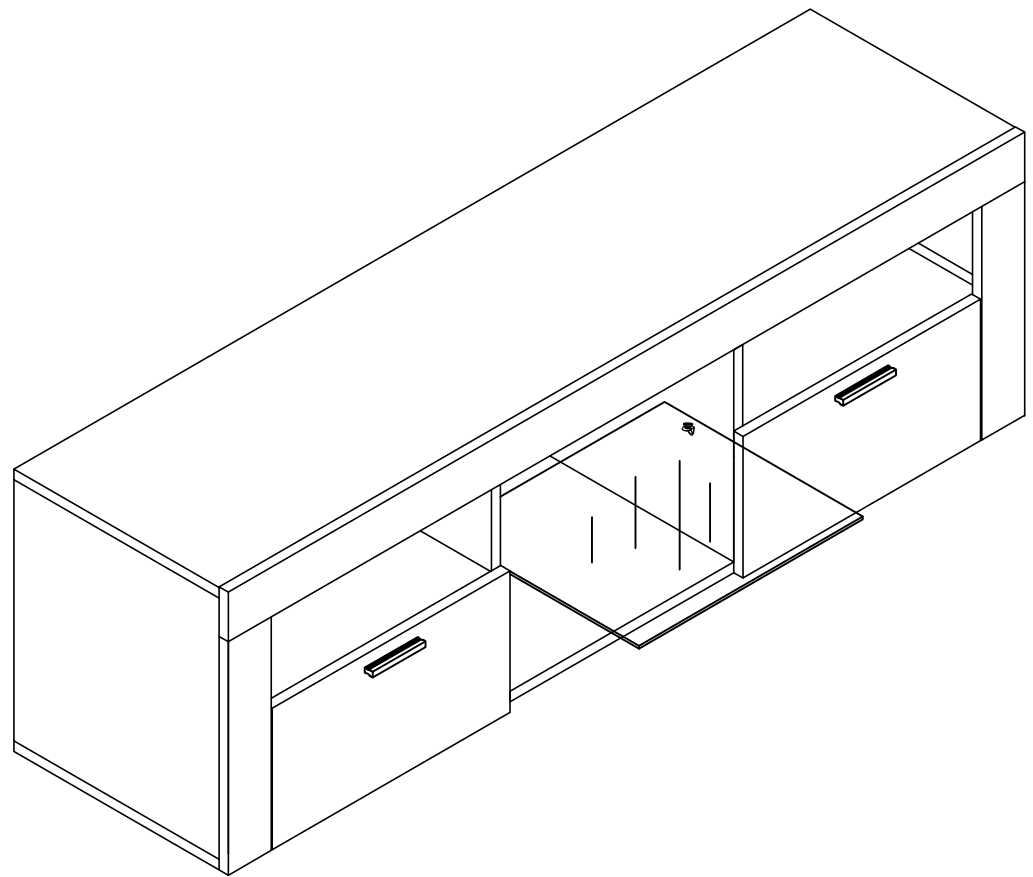
5pcs

11



C  2pcs	D  4pcs	E $\Phi 3.5 \times 14$  26pcs	I  2pcs	J  4pcs
--	---	--	---	--

12



Please remove the protective plastic film after the whole assemble process finished, then the surface will be high glossy, thank you for your choice