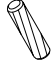








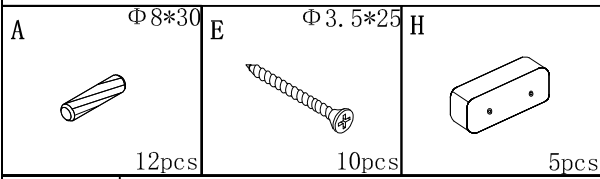
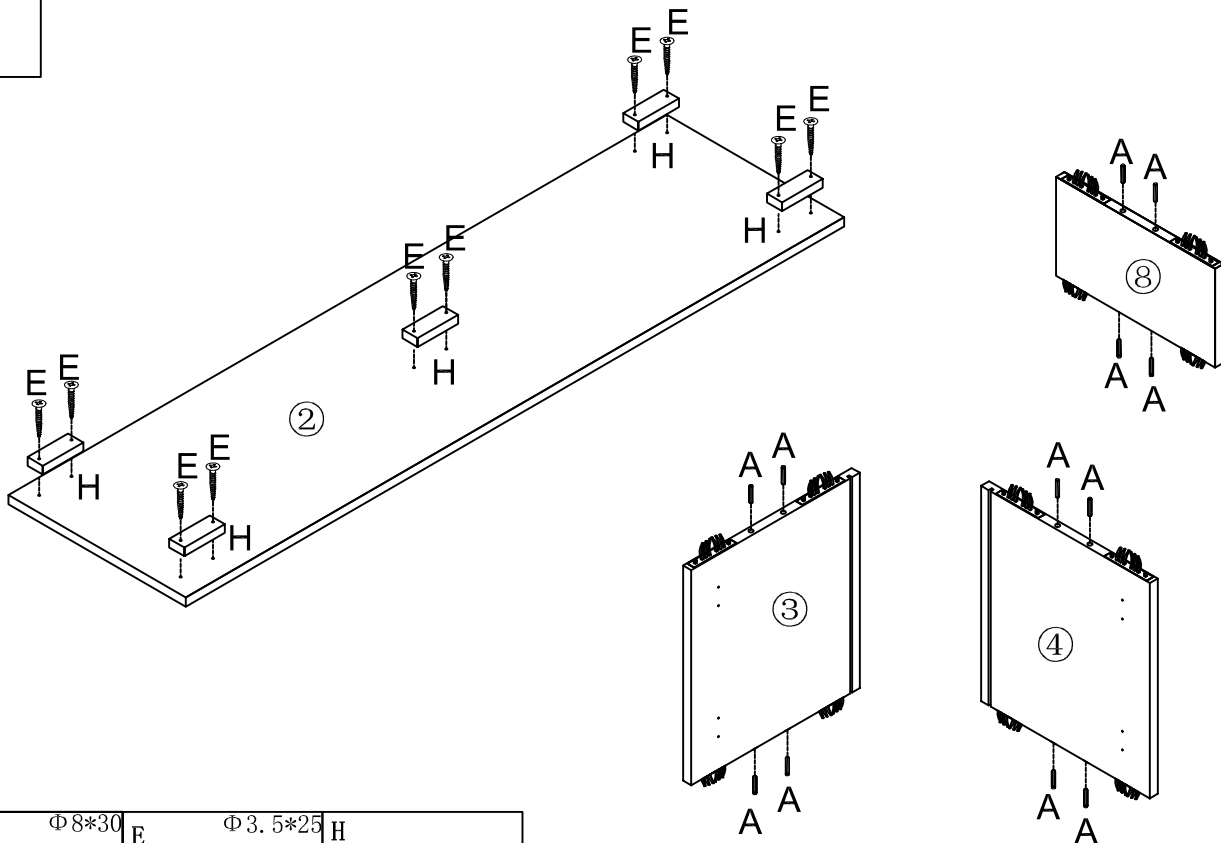
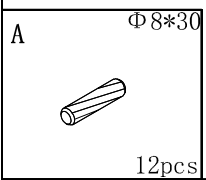
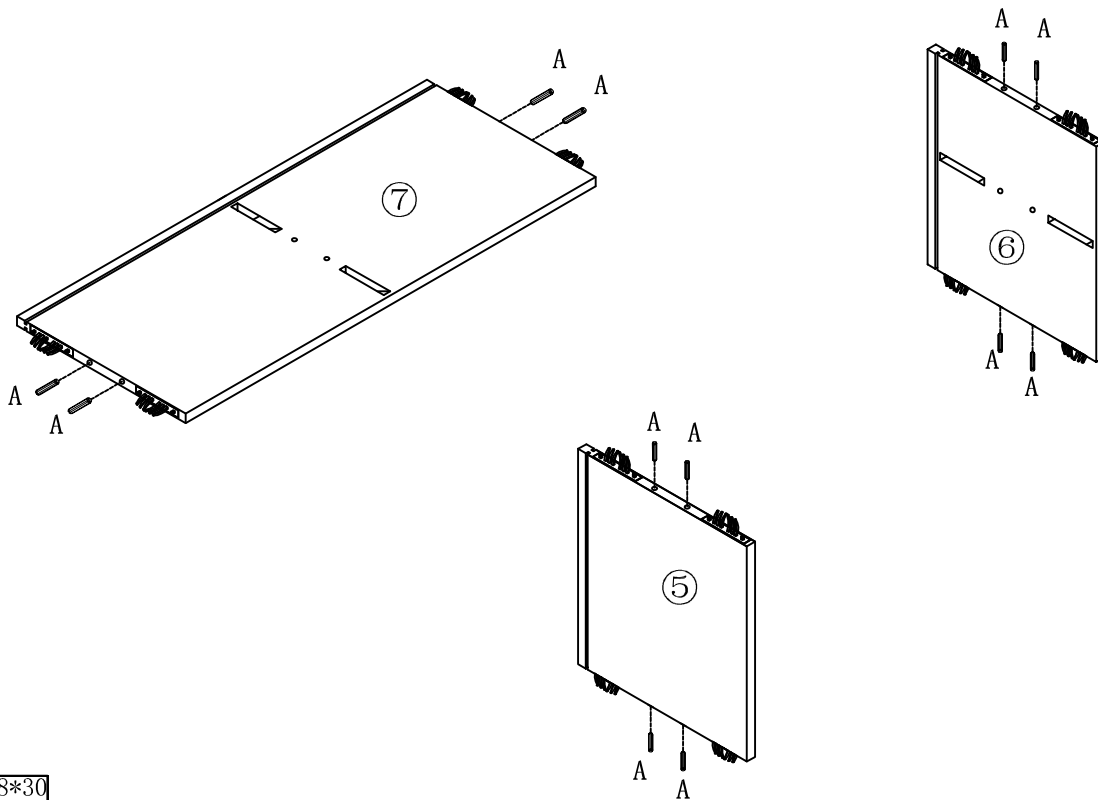


A	Φ8*30	B	C	D	E	F	G	H	I								
	24pcs		2pcs		6pcs		34pcs		10pcs		3pcs		6pcs		5pcs		1pcs

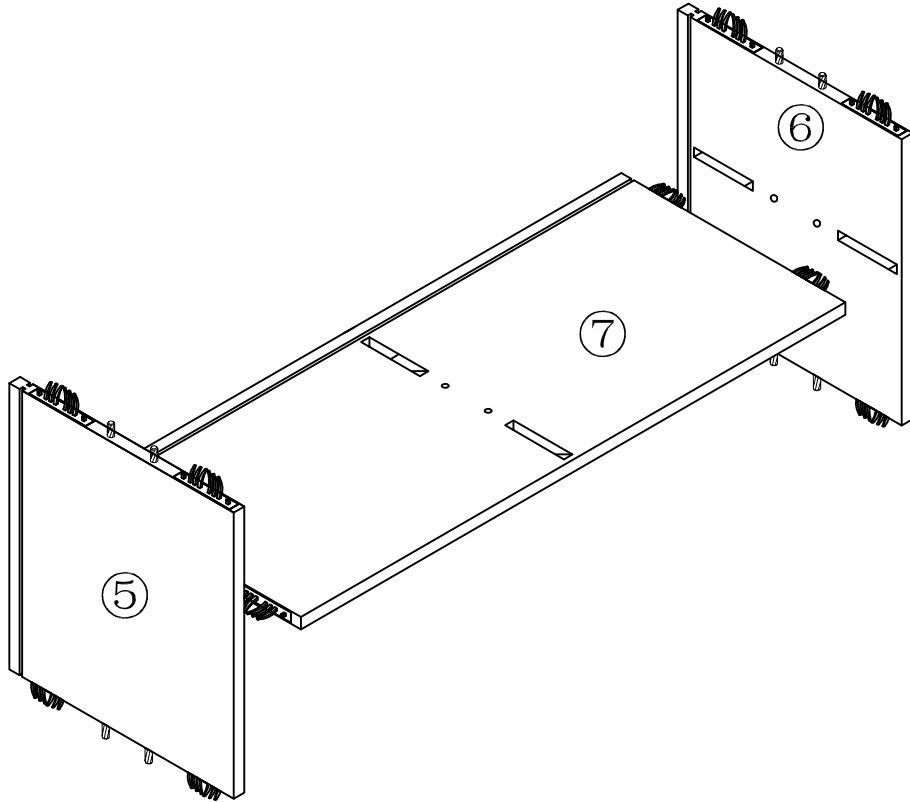
1



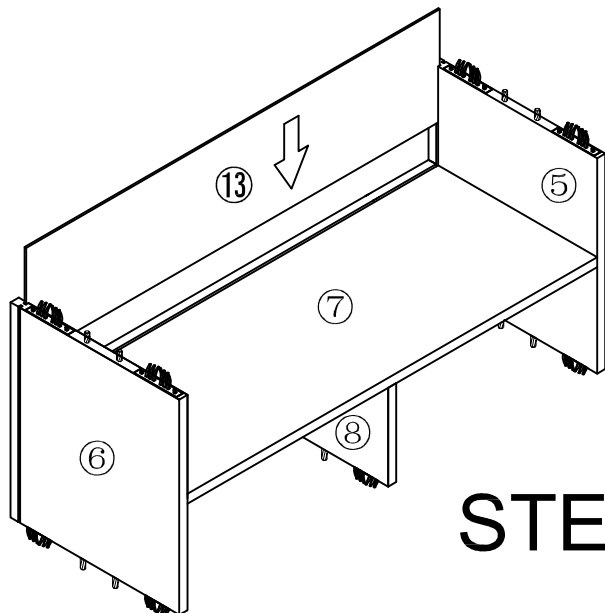
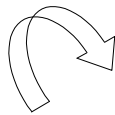
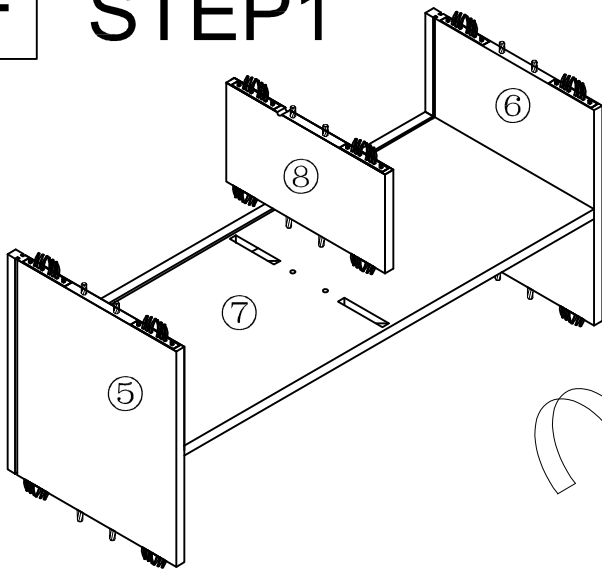
2



3



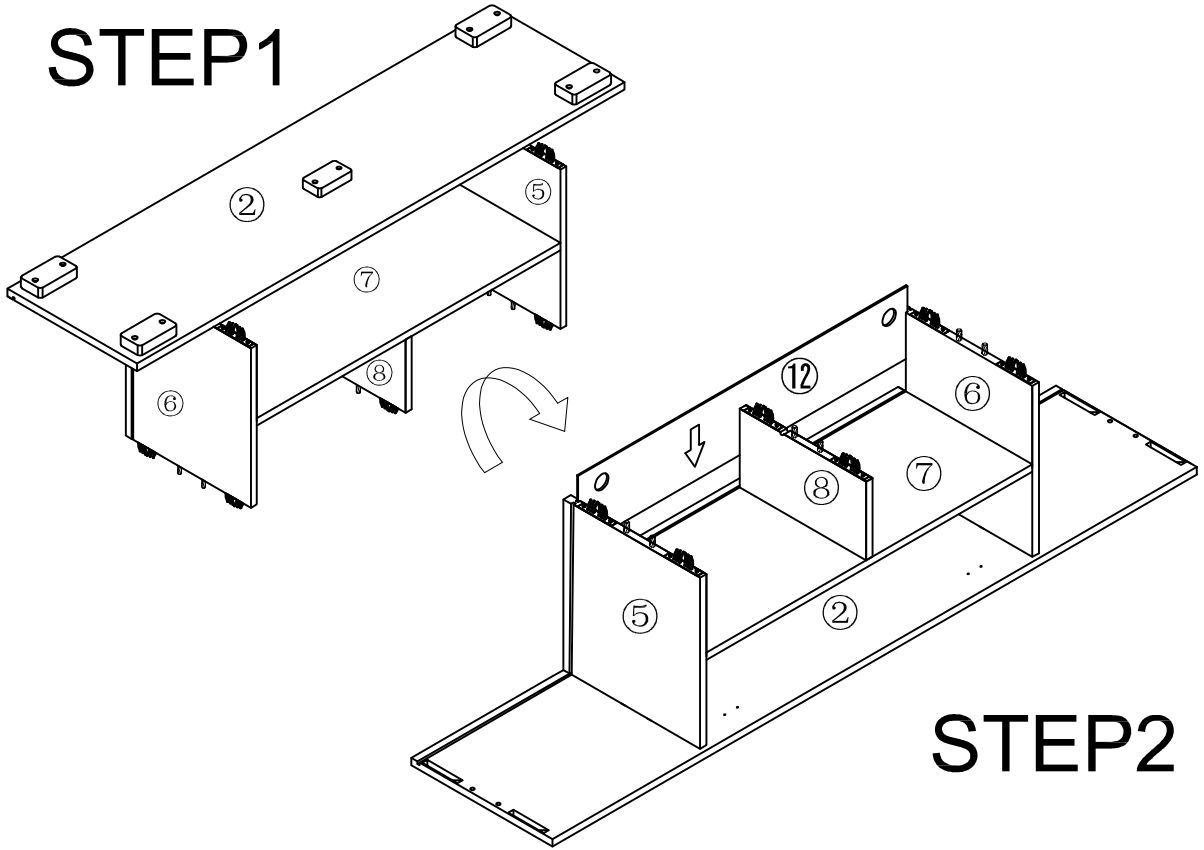
4 STEP 1



STEP 2

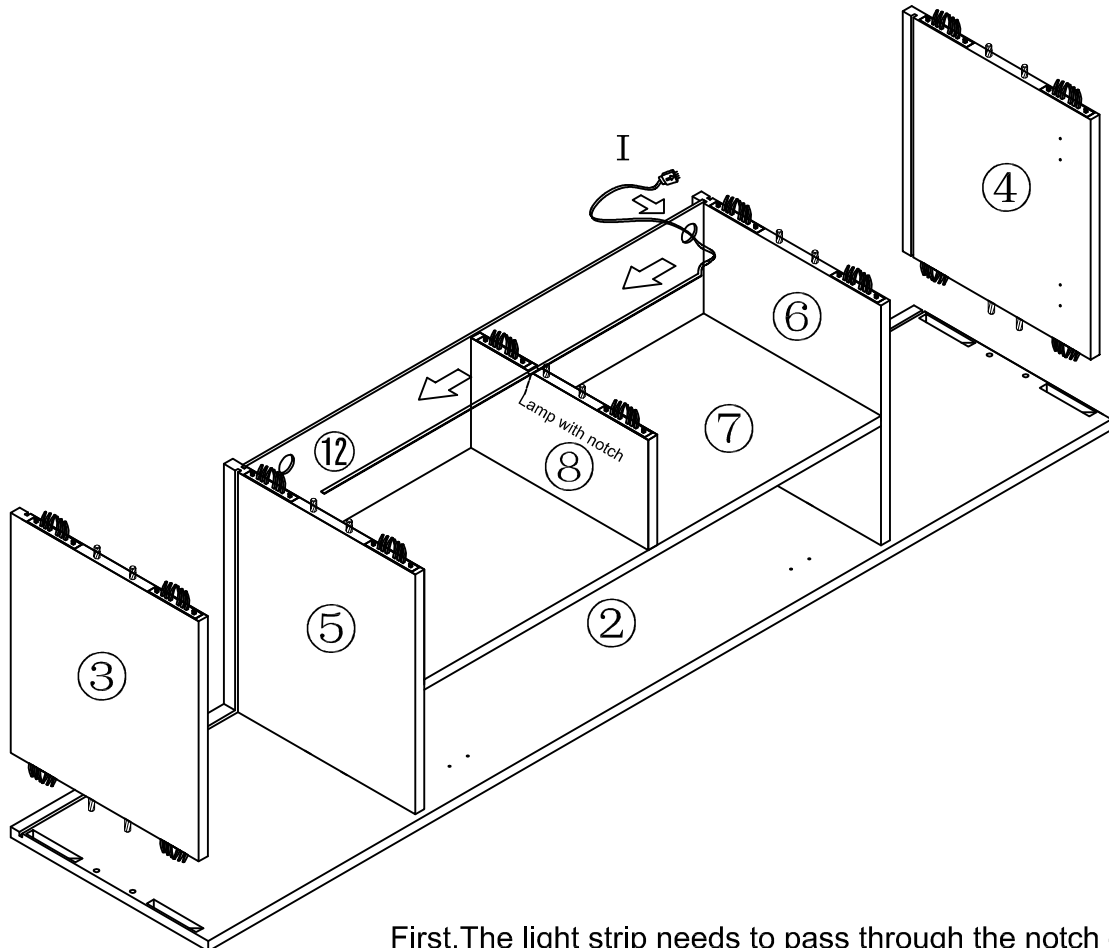
5

# STEP 1



# STEP 2

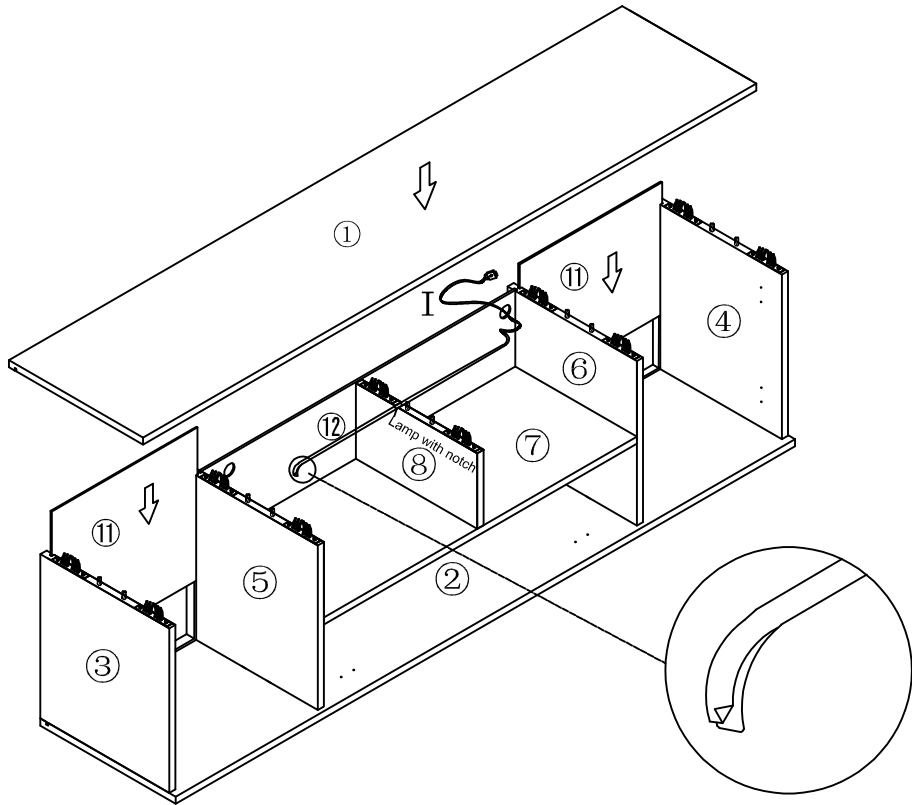
6



First, The light strip needs to pass through the notch of back panel  
Note: the lamp belt must pass through the lamp belt slot when passing through

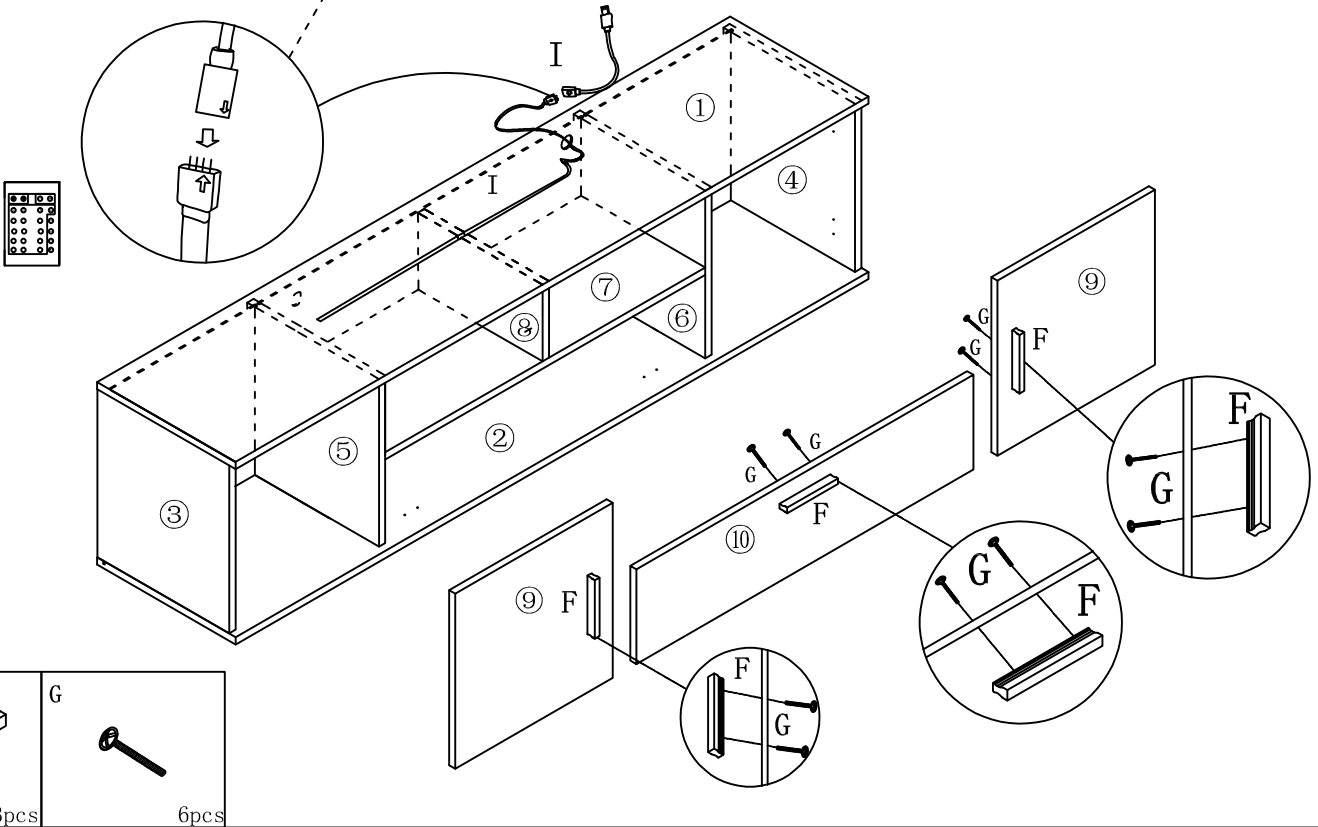
7

Then tear off the back glue belt and fix the lamp belt on the top panel



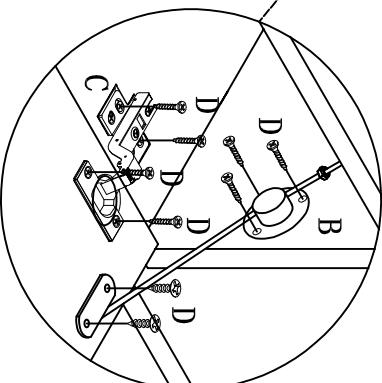
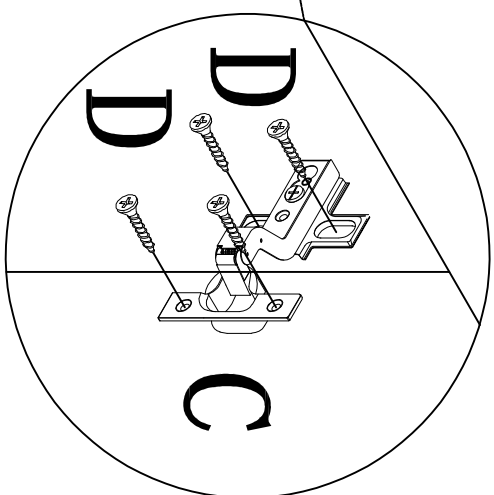
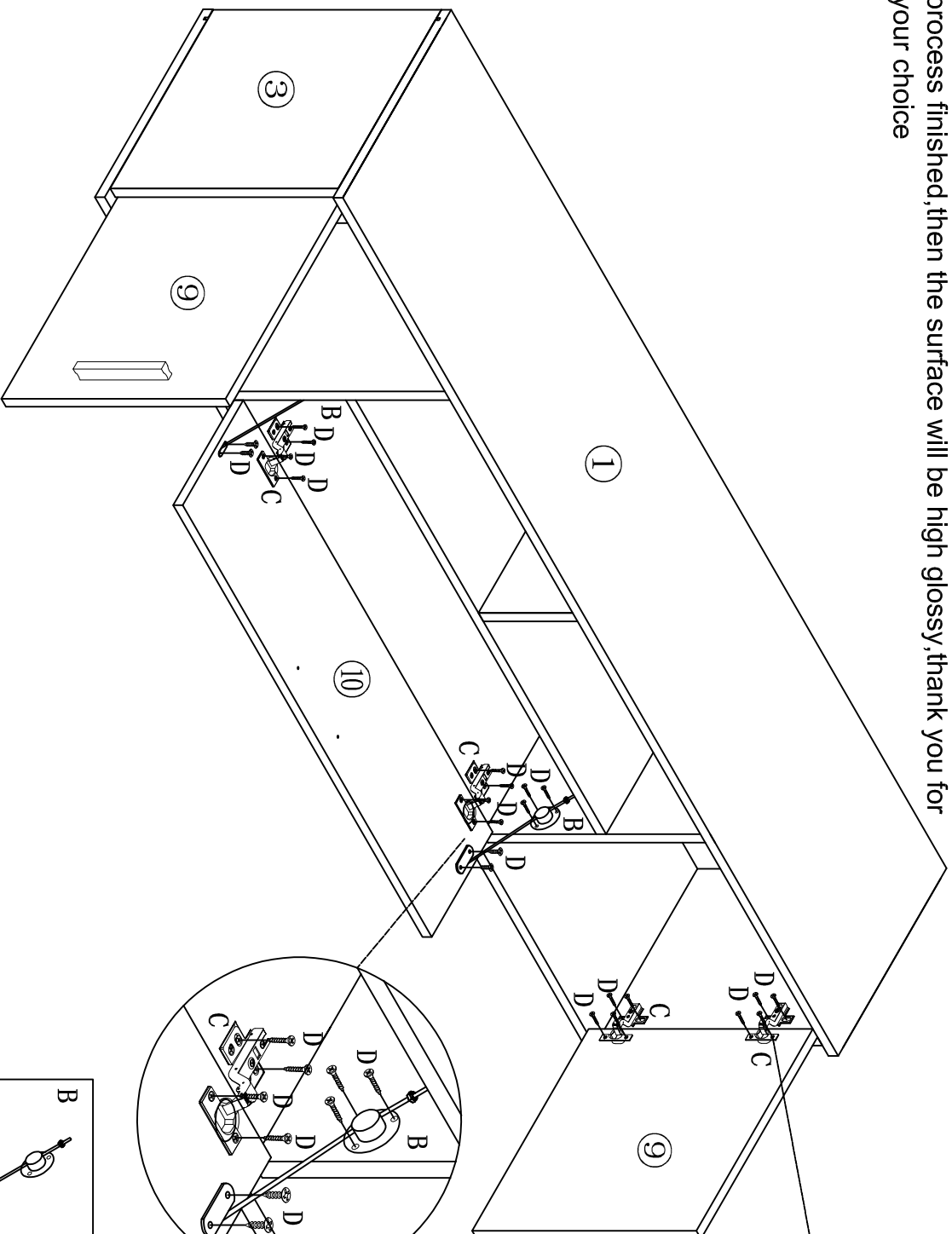
8

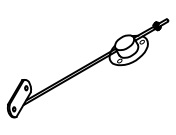
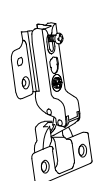
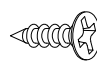
Pay attention to the positive and negative poles



# 9

Please remove the protective plastic film after the whole assemble process finished, then the surface will be high glossy, thank you for your choice



 B 2pcs	 C 6pcs	 D Φ3.5*14 34pcs
--	--	--