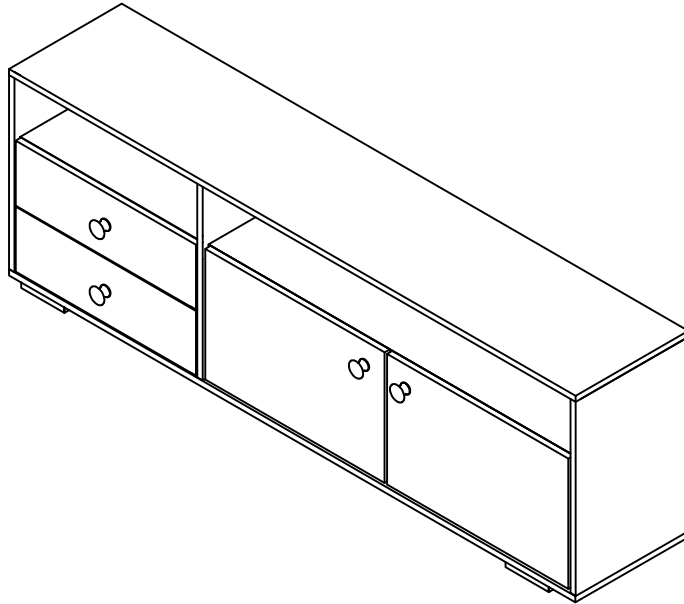


Assembly Instructions

Video instruction is available by scanning the following QR Code .



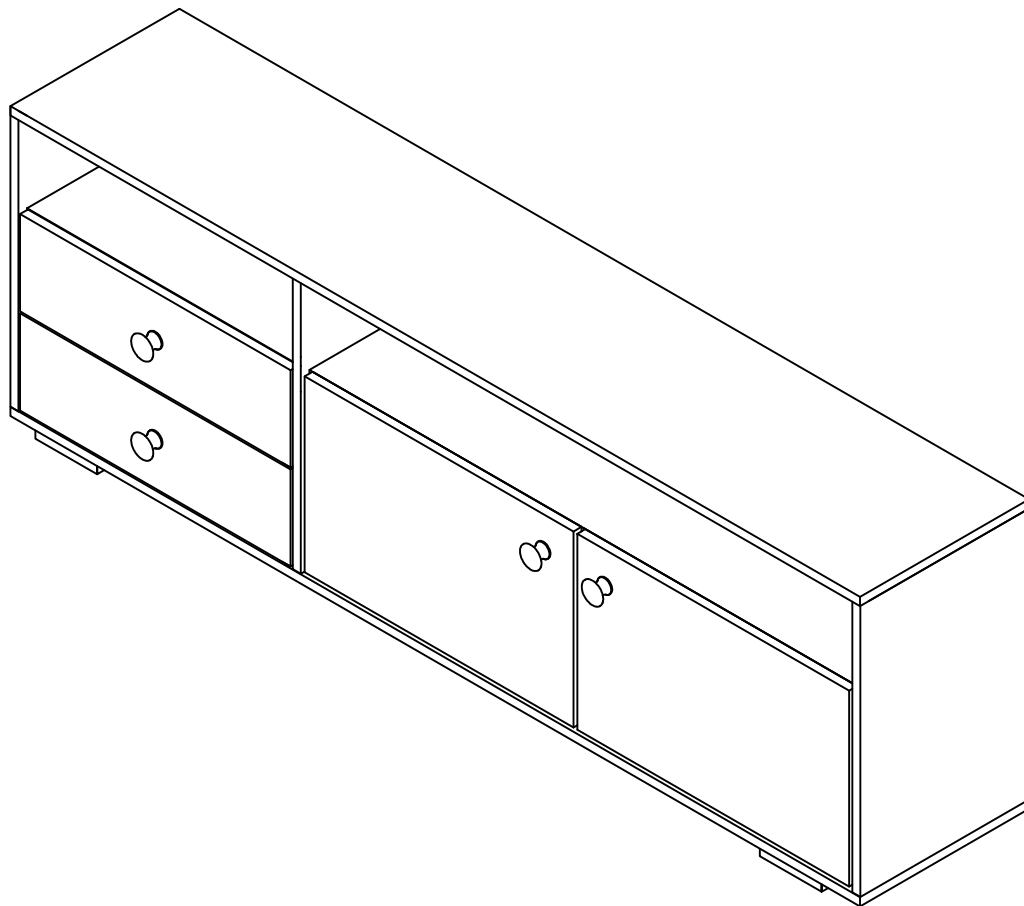
Thank you for your purchase.

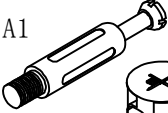

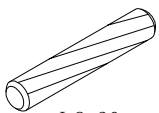

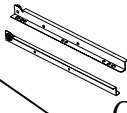


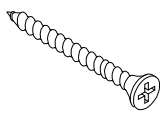




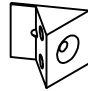

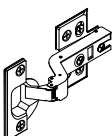
Please follow the instructions below for correct assembly.

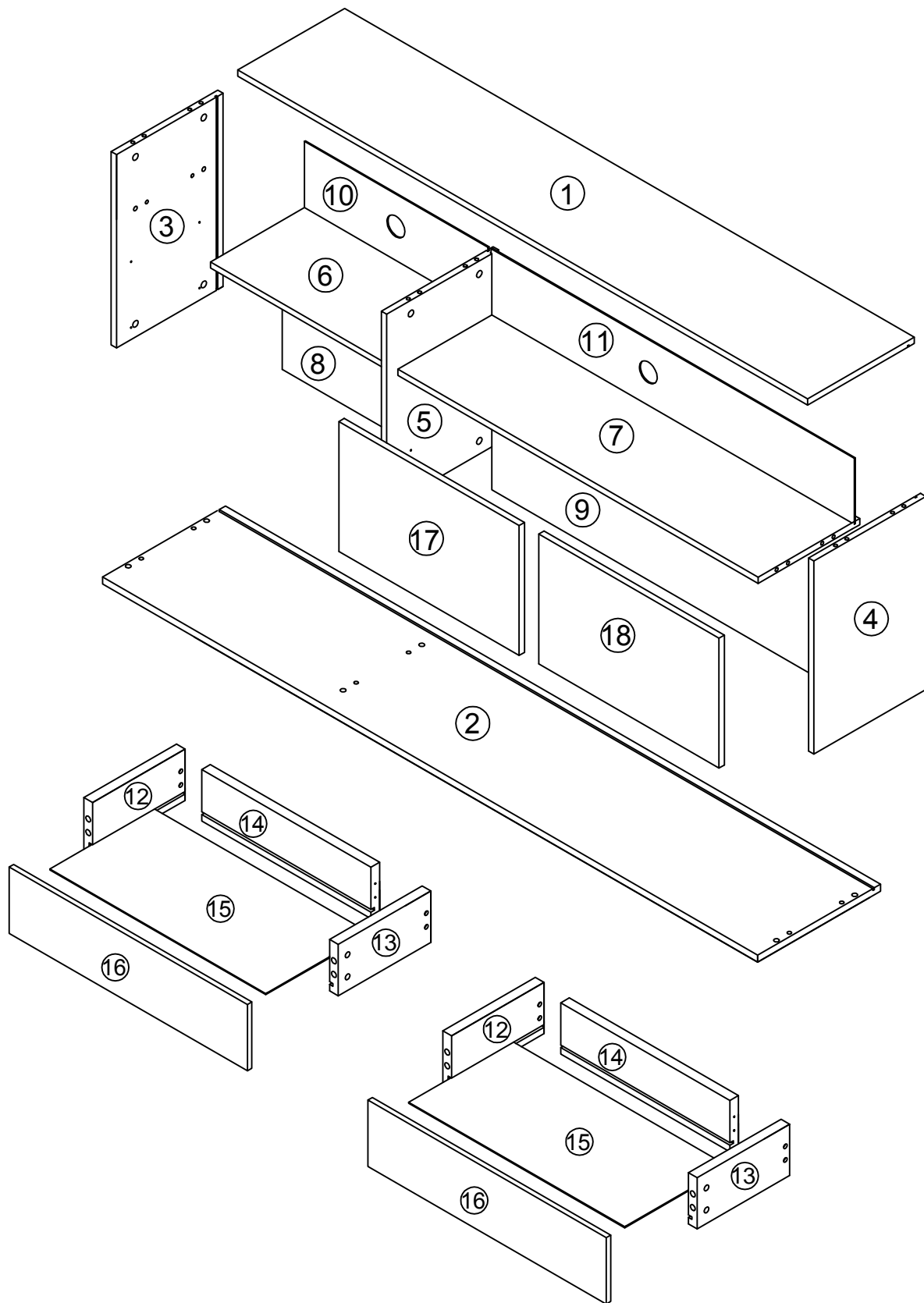
▲ For higher efficiency, we recommend to use a power drill; the power drill should be set on the low speed to avoid screw stripping.

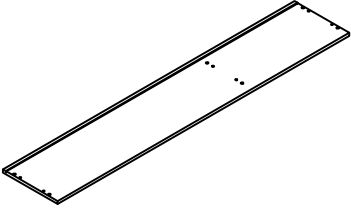
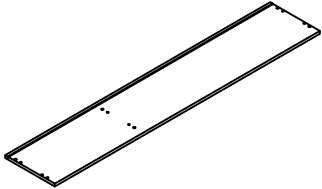
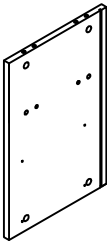
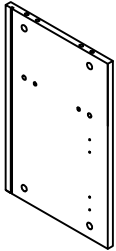
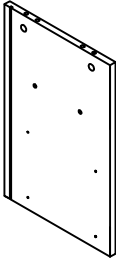
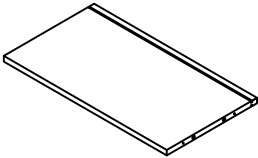
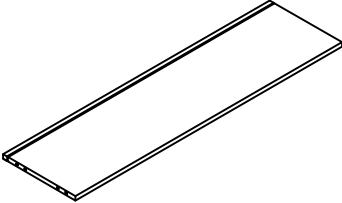
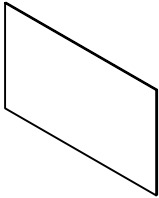
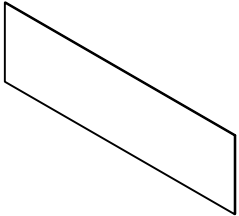
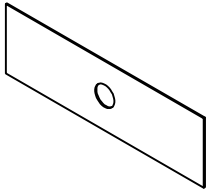
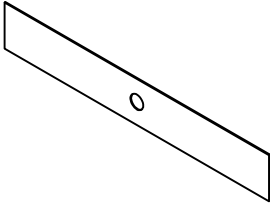
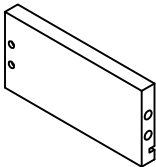
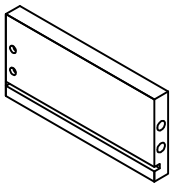
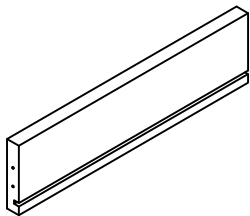
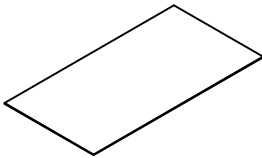
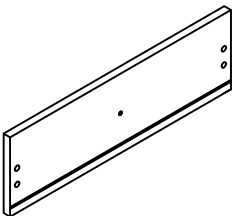
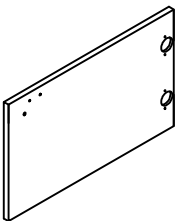
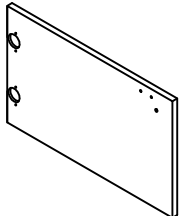
CAUTION

This package contains small parts and hardware; keep it from children to avoid accidental swallowing.

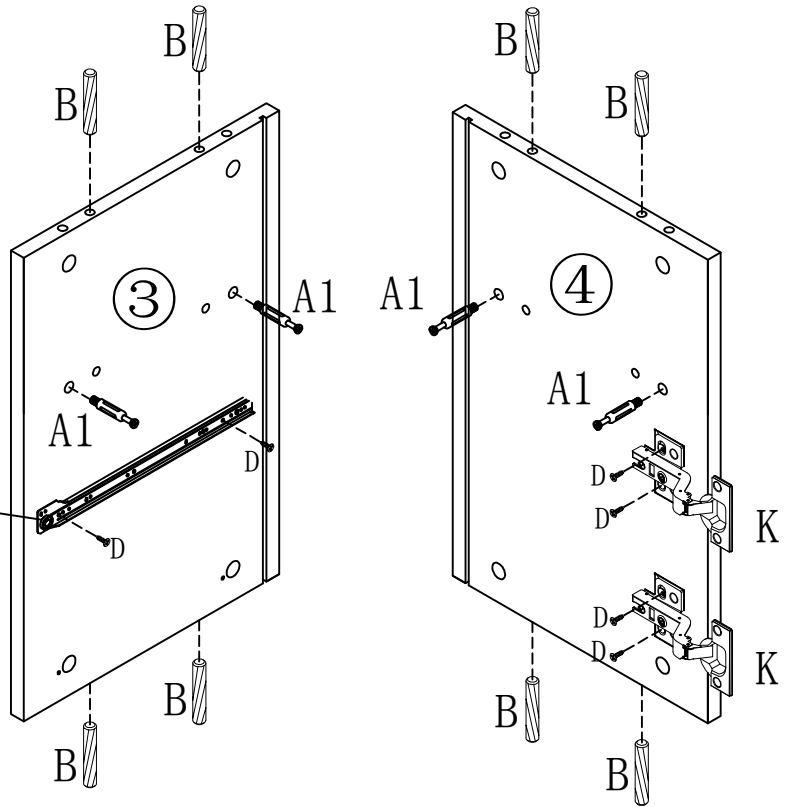
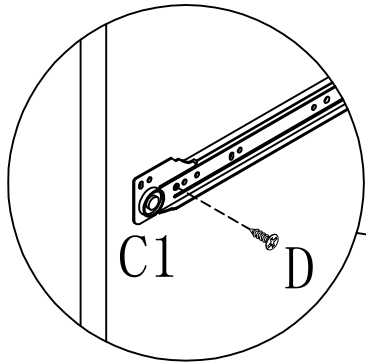



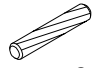



 A1  A2 $A \times 26$	 $\Phi 8 \times 30$ $B \times 20$	 C1  C2 $C \times 2$	 $\Phi 3.5 \times 14$ $D \times 42$	 $\Phi 3 \times 14$ $E \times 8$
 $\Phi 3.5 \times 40$ $F \times 10$	 G1  $\Phi 4 \times 18$ $G \times 4$	 H1  H2 $H \times 2$	 $I \times 10$	 $\Phi 20$ $J \times 26$
 $K \times 4$				



<p>①</p>  <p>1600*300*15</p>	<p>②</p>  <p>1600*300*15</p>	<p>③</p>  <p>470*299*15</p>	<p>④</p>  <p>470*299*15</p>
1 PC	1 PC	1 PC	1 PC
<p>⑤</p>  <p>470*299*15</p>	<p>⑥</p>  <p>510*281*15</p>	<p>⑦</p>  <p>1043*281*15</p>	<p>⑧</p>  <p>312*517*3</p>
1 PC	1 PC	1 PC	1 PC
<p>⑨</p>  <p>312*1050*3</p>	<p>⑩</p>  <p>157*517*3</p>	<p>⑪</p>  <p>157*1050*3</p>	<p>⑫</p>  <p>250*120*15</p>
1 PC	1 PC	1 PC	2 PCS
<p>⑬</p>  <p>250*120*15</p>	<p>⑭</p>  <p>457*120*15</p>	<p>⑮</p>  <p>464*242*3</p>	<p>⑯</p>  <p>504*157*15</p>
2 PCS	2 PCS	2 PCS	2 PCS
<p>⑰</p>  <p>316*517*15</p>	<p>⑱</p>  <p>316*517*15</p>		
1 PC	1 PC		

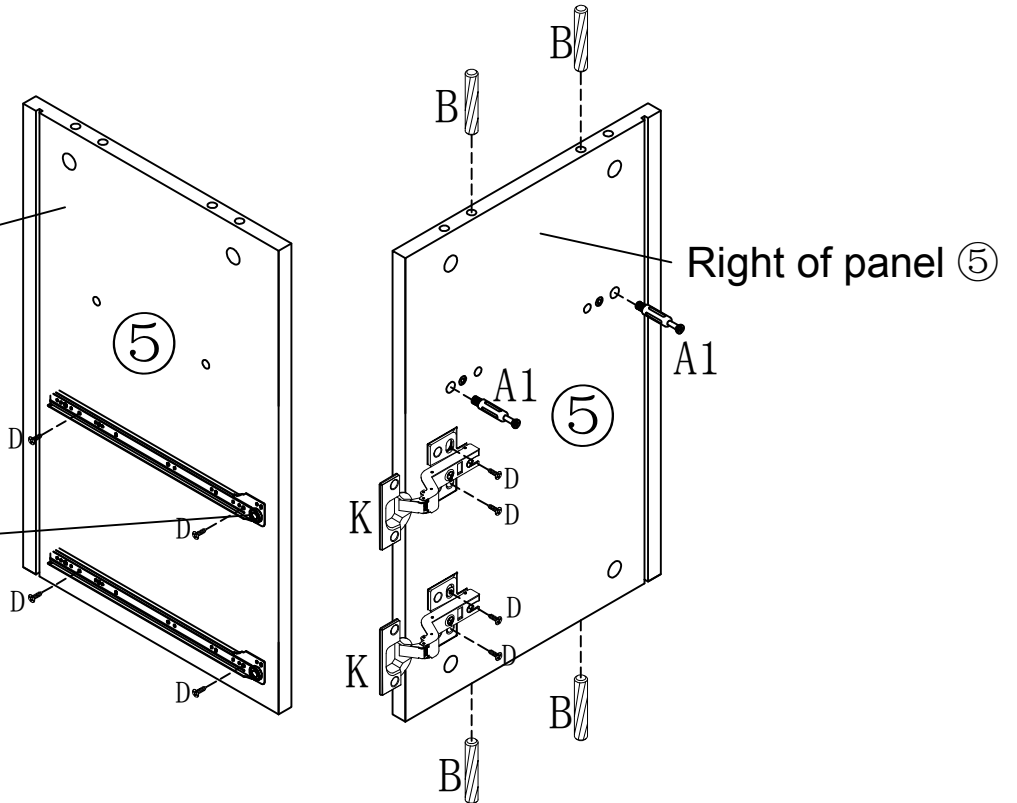
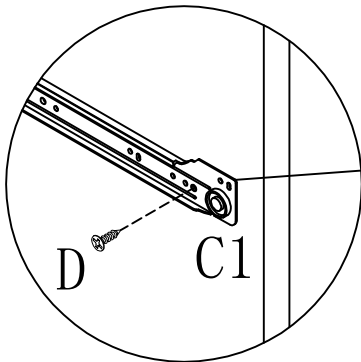
1


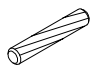





A1	B $\varnothing 8 \times 30$	C1	D $\varnothing 3.5 \times 14$	K
				
4pcs	8pcs	0.5pc	6pcs	2pcs

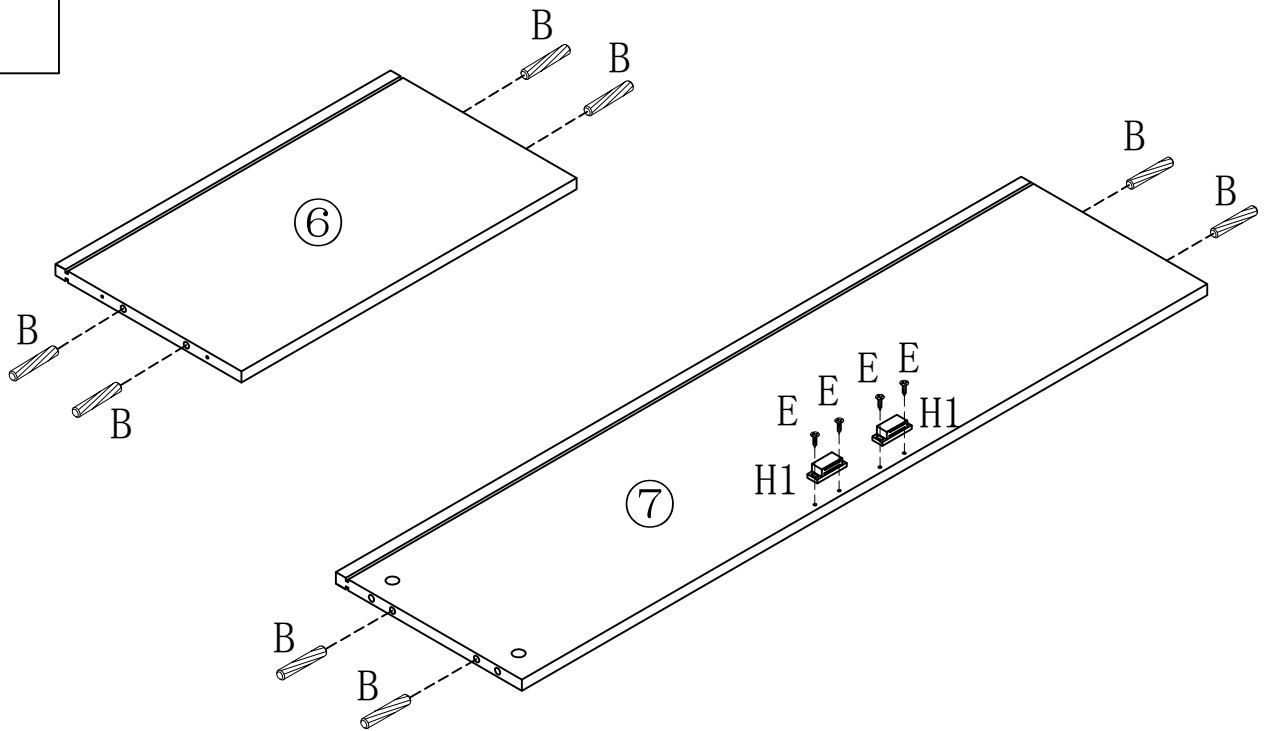
2

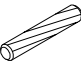


Left of panel ⑤



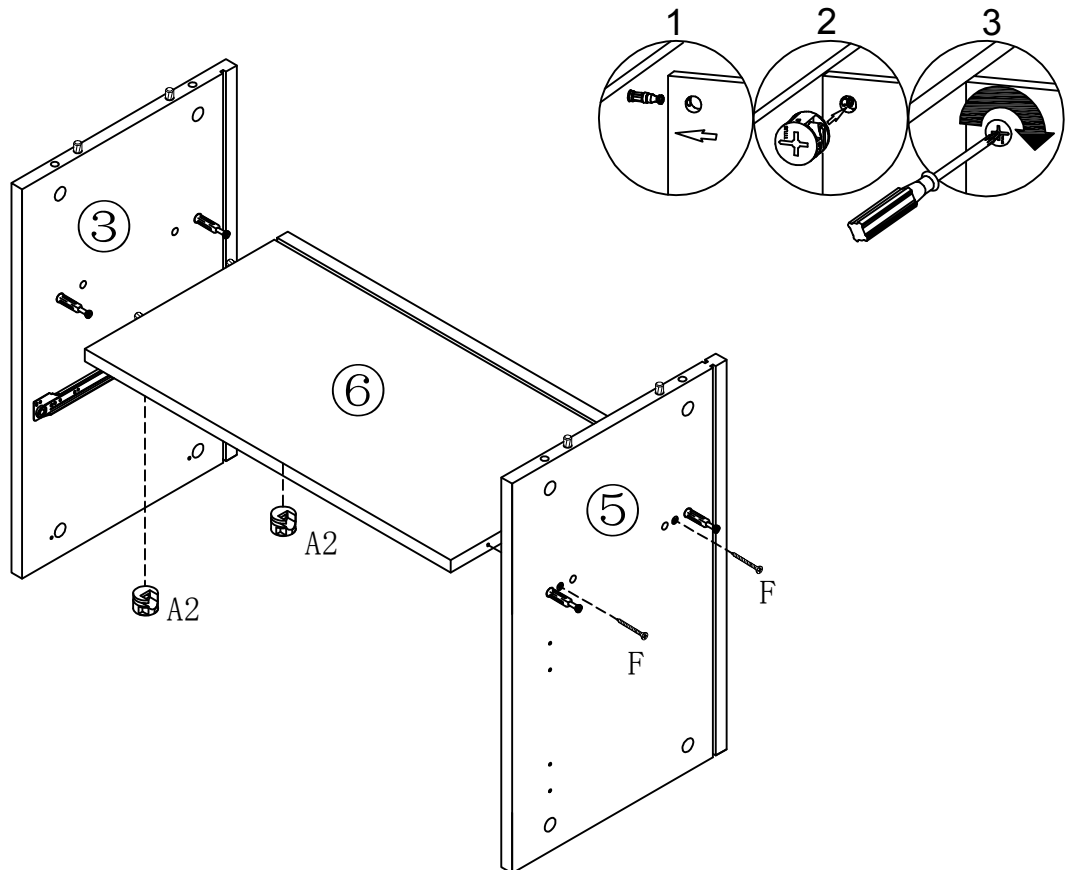
A1	B $\varnothing 8 \times 30$	C1	D $\varnothing 3.5 \times 14$	K
				
2pcs	4pcs	1pc	8pcs	2pcs



3



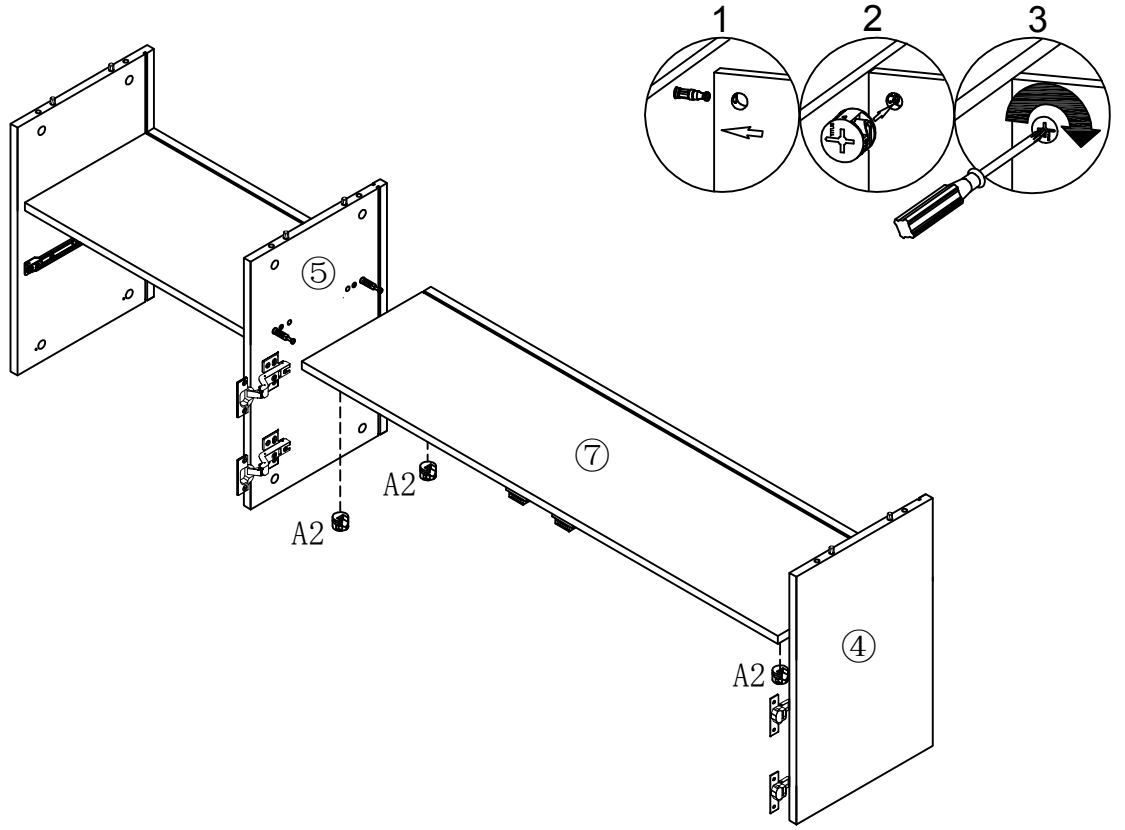
B	∅8*30	H1	∅3*14
			
8pcs		2pcs	4pcs

4



A2	F	∅3.5*40
		
2pcs	2pcs	

5

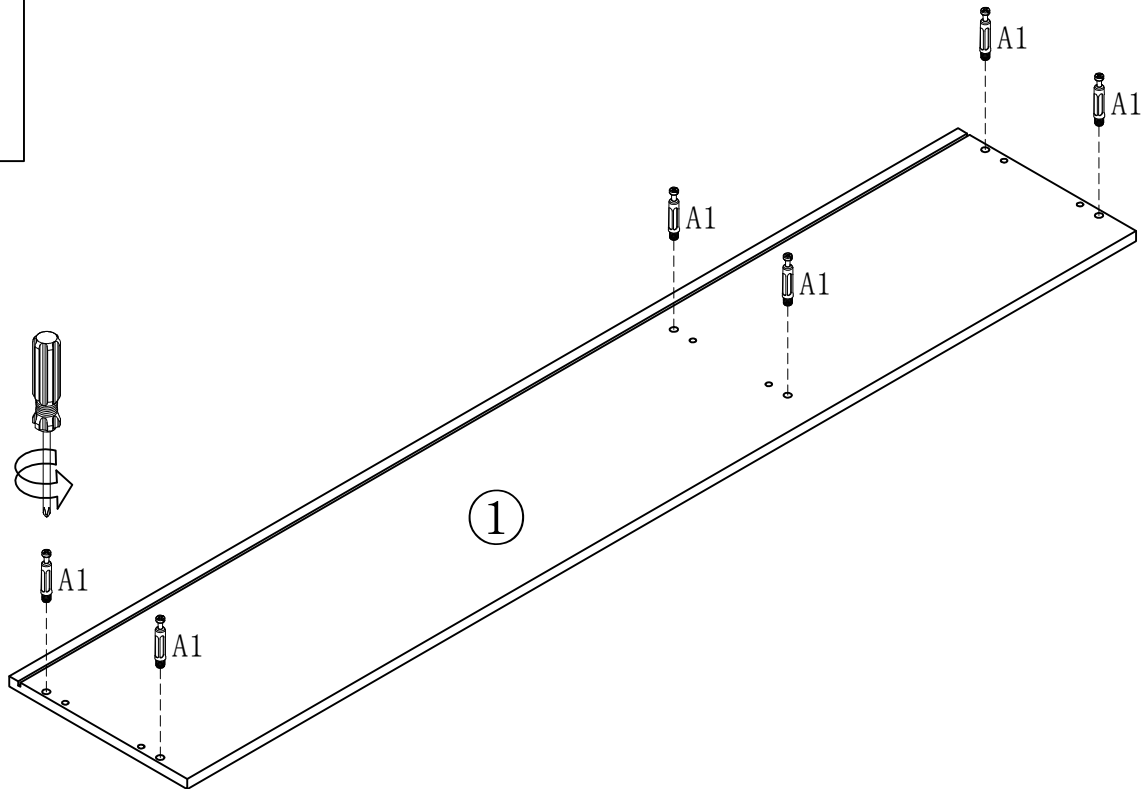


A2



4pcs

6

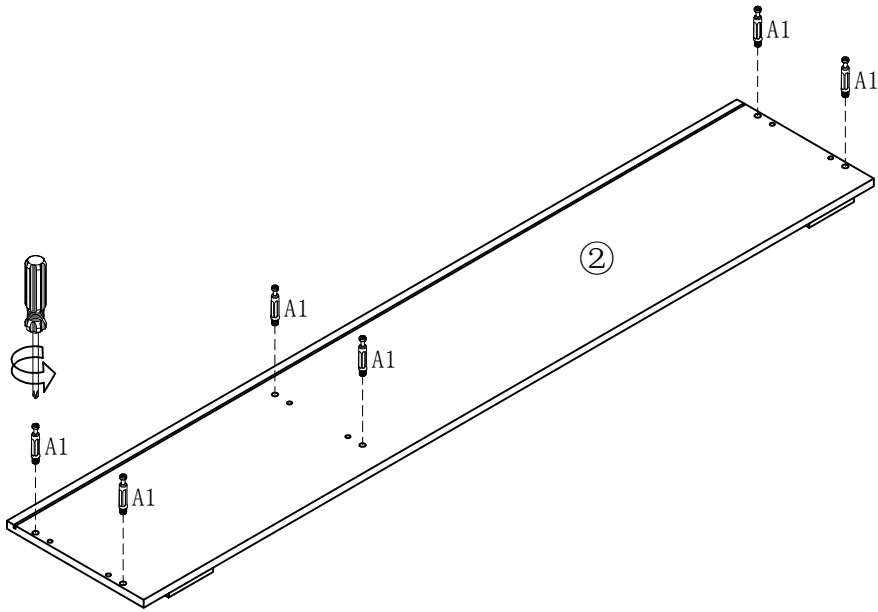


A1



6pcs

7

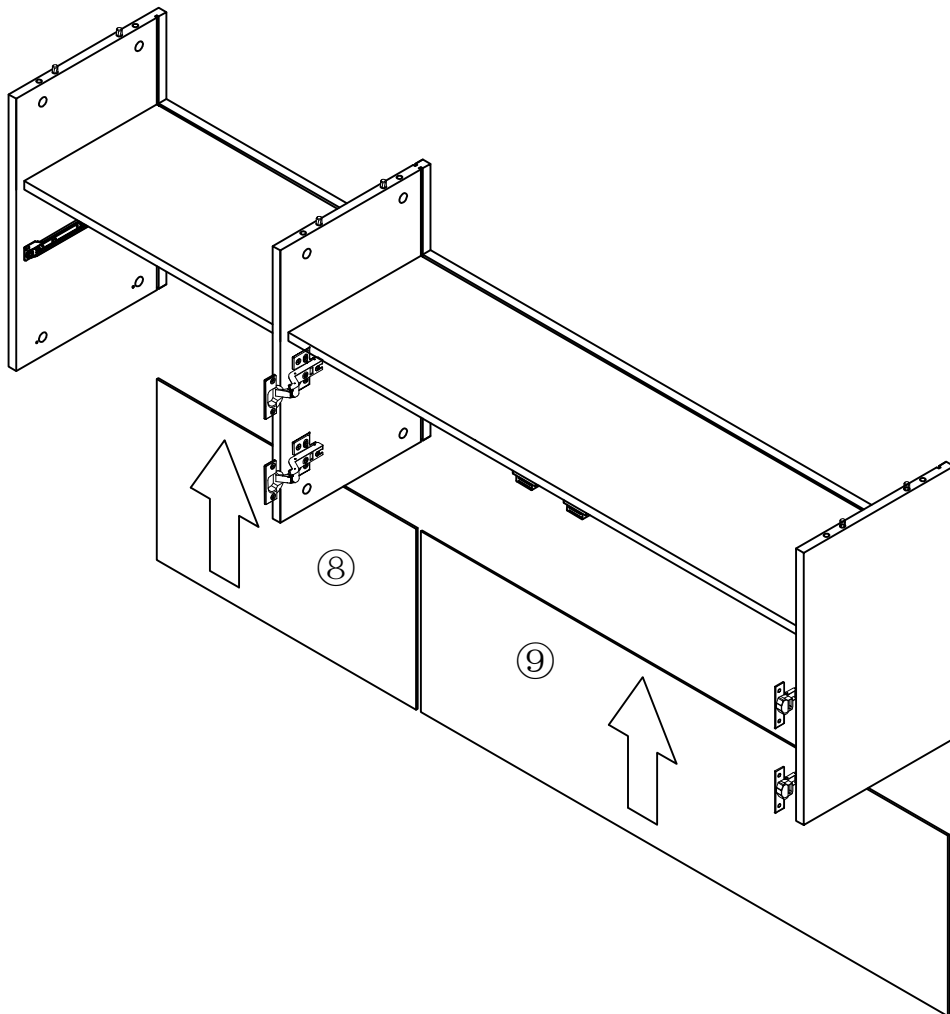


A1

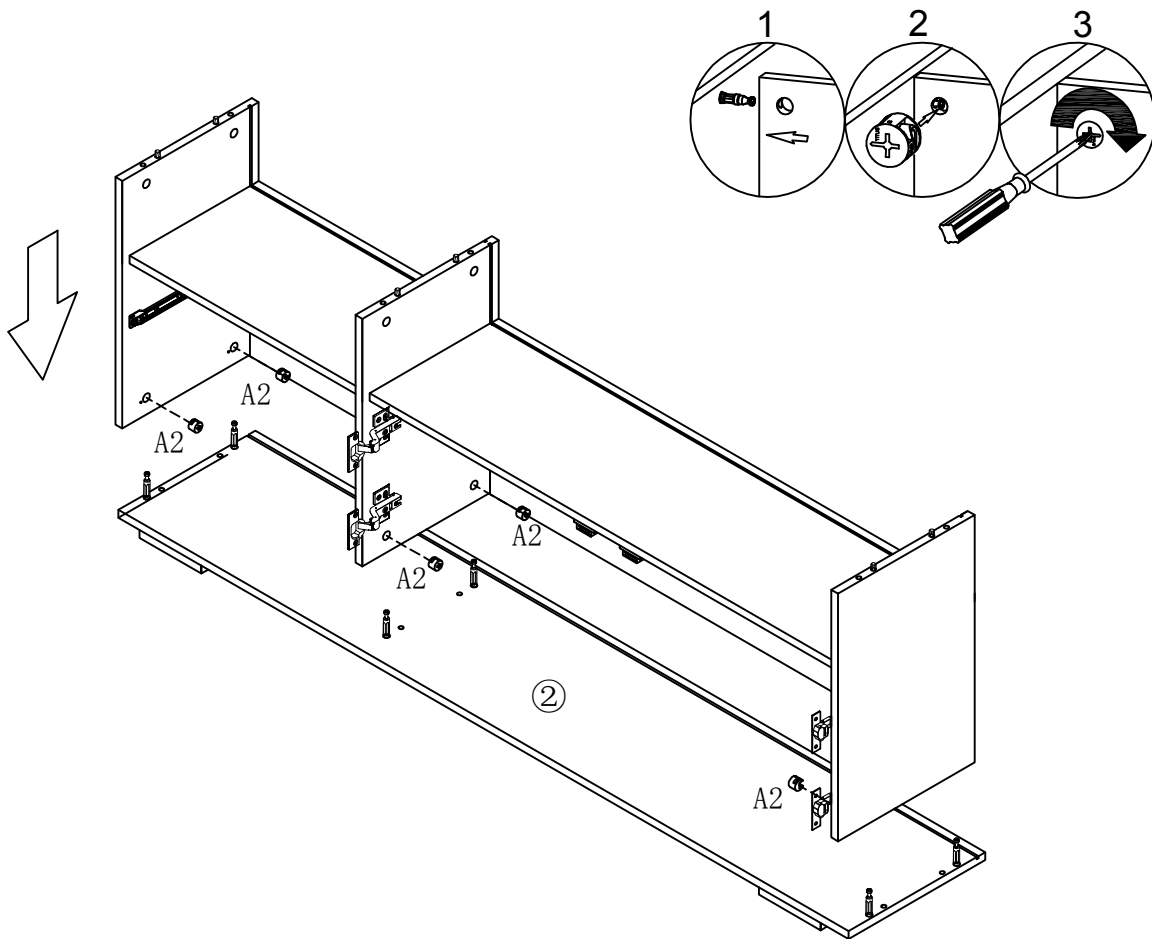



6pcs

8

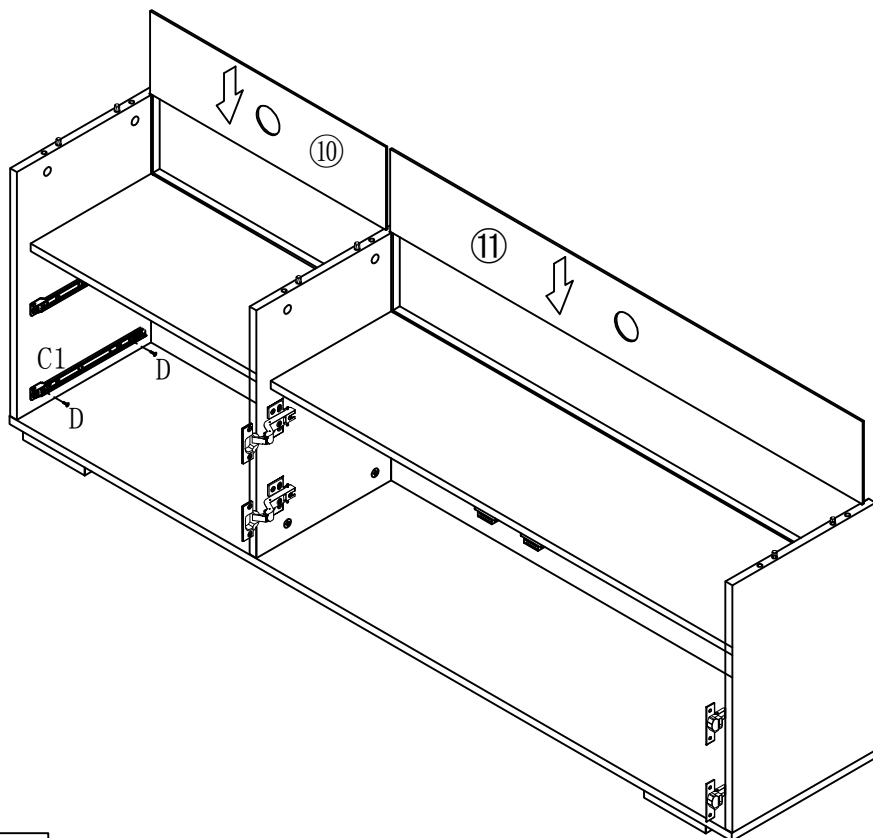



9




A2

6pcs

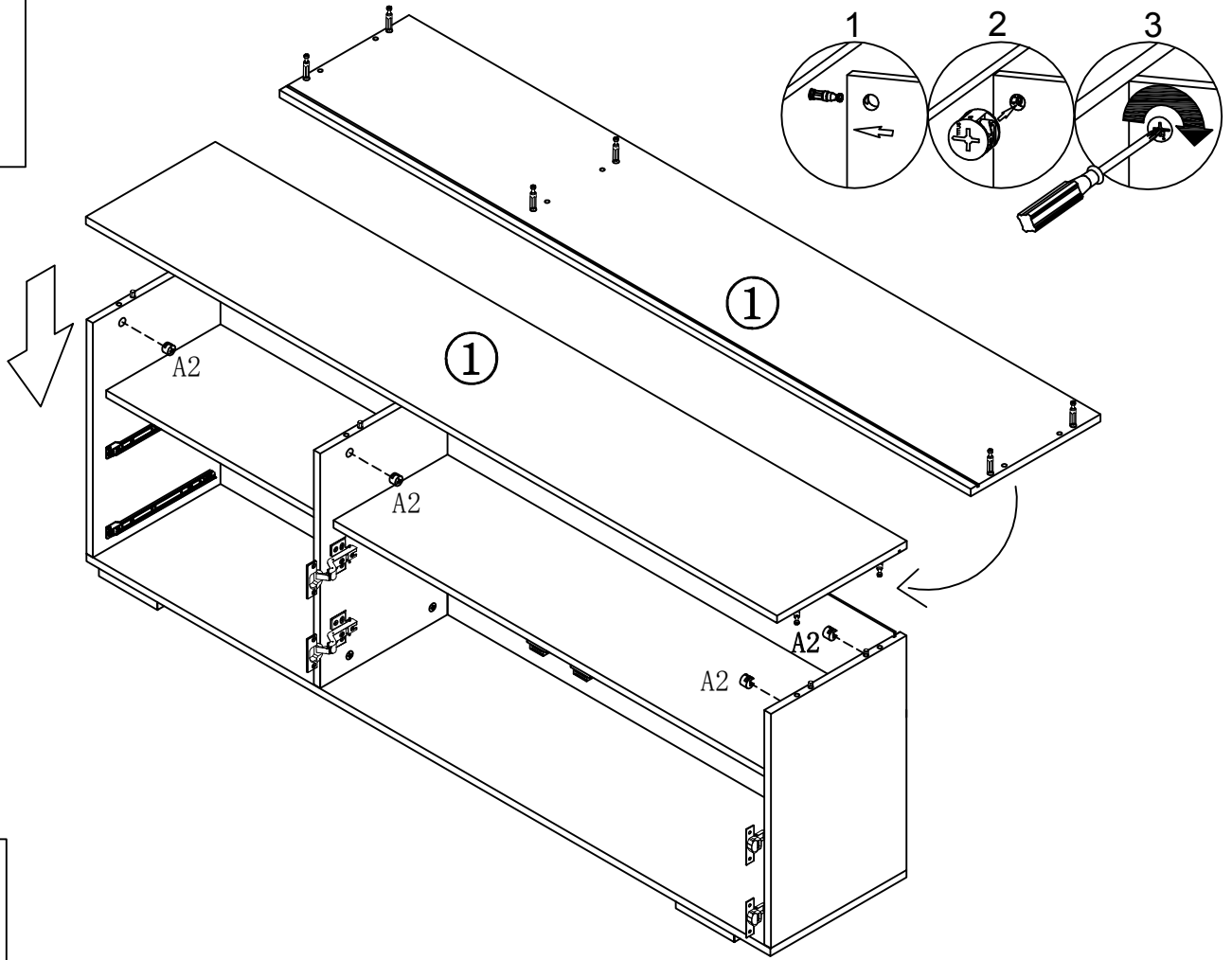
10



C1

0.5pc

D $\varnothing 3.5 \times 14$

2pcs

11

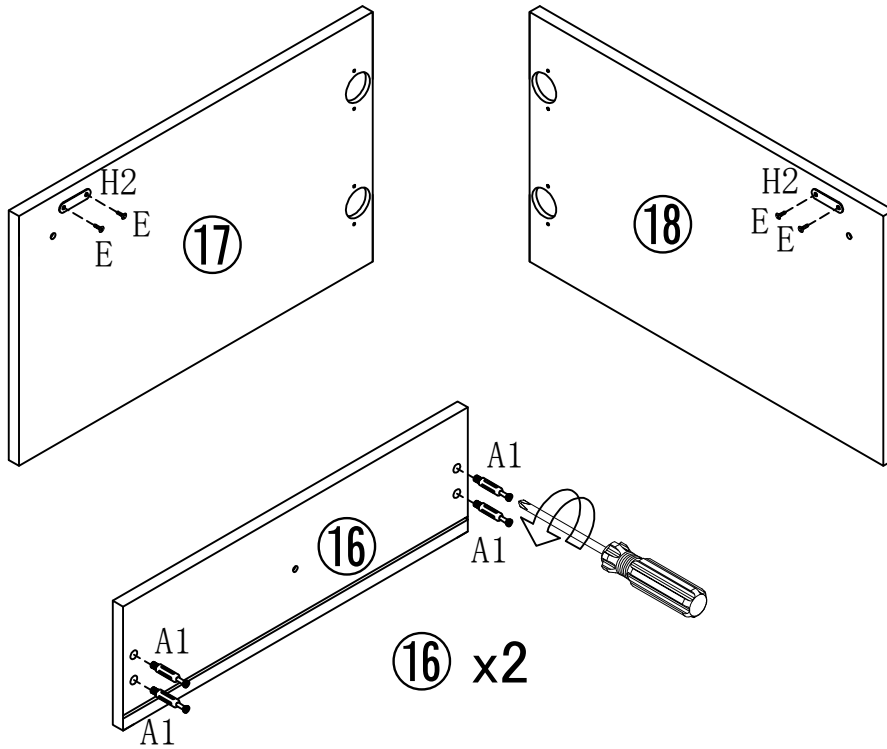


A2



6pcs

12



A1



8pcs

H2



2pcs

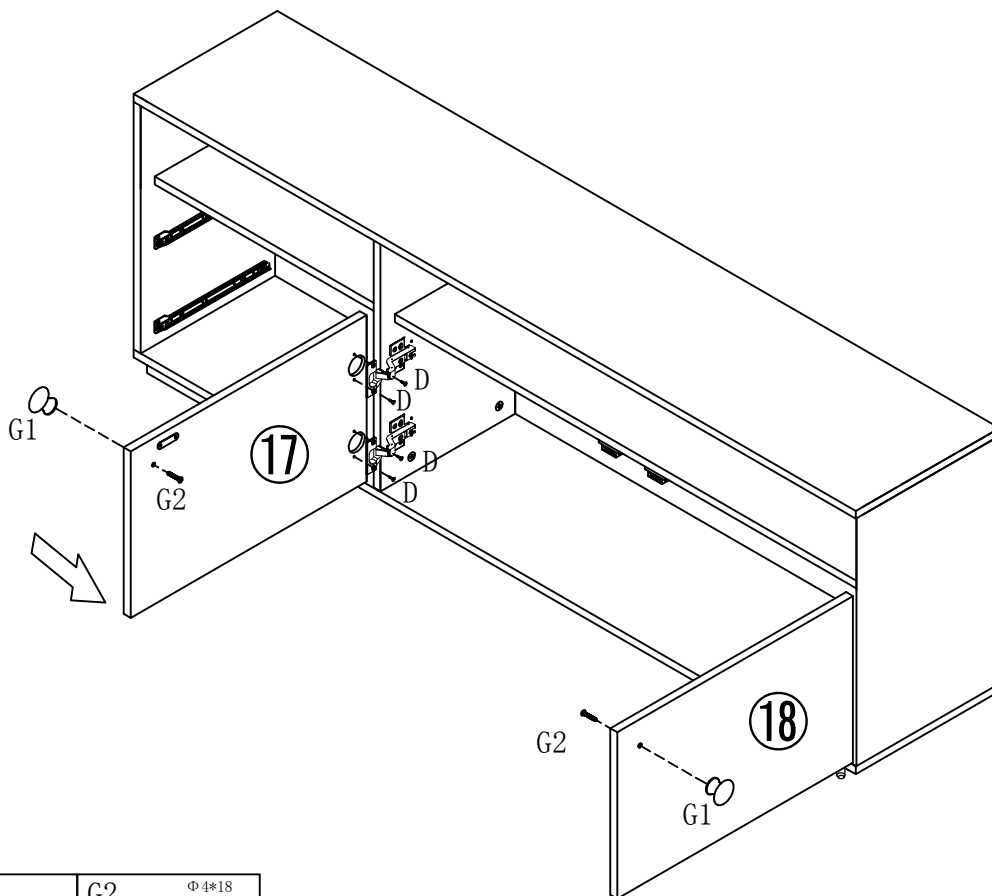
E




Φ3*14

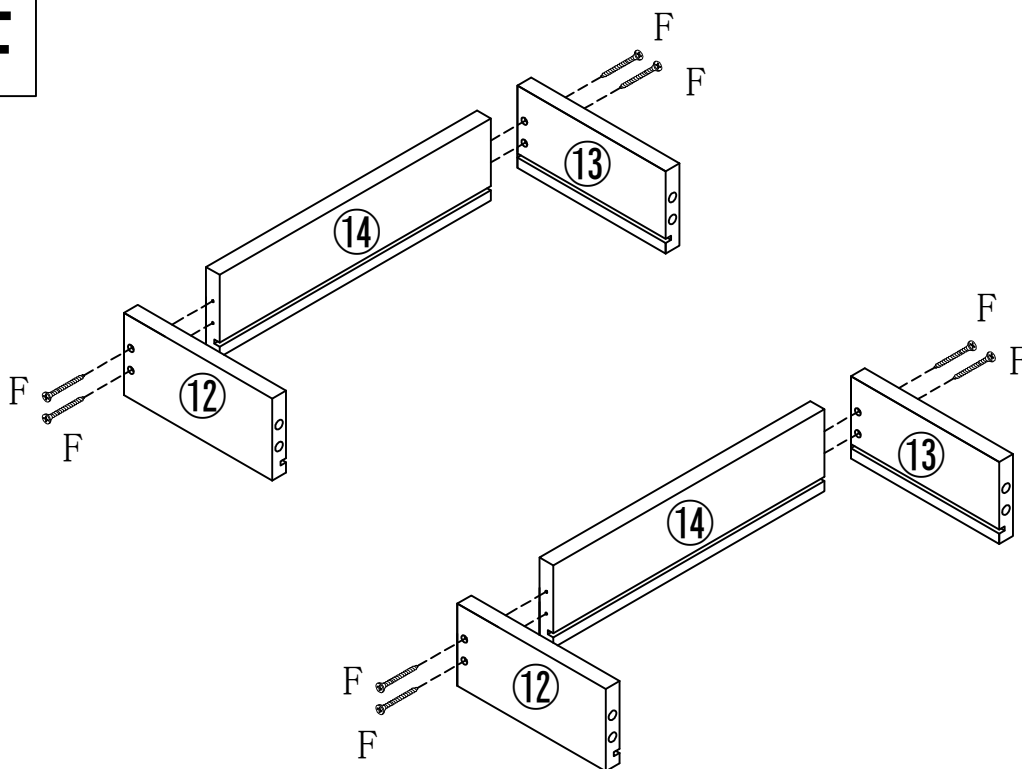
4pcs


13



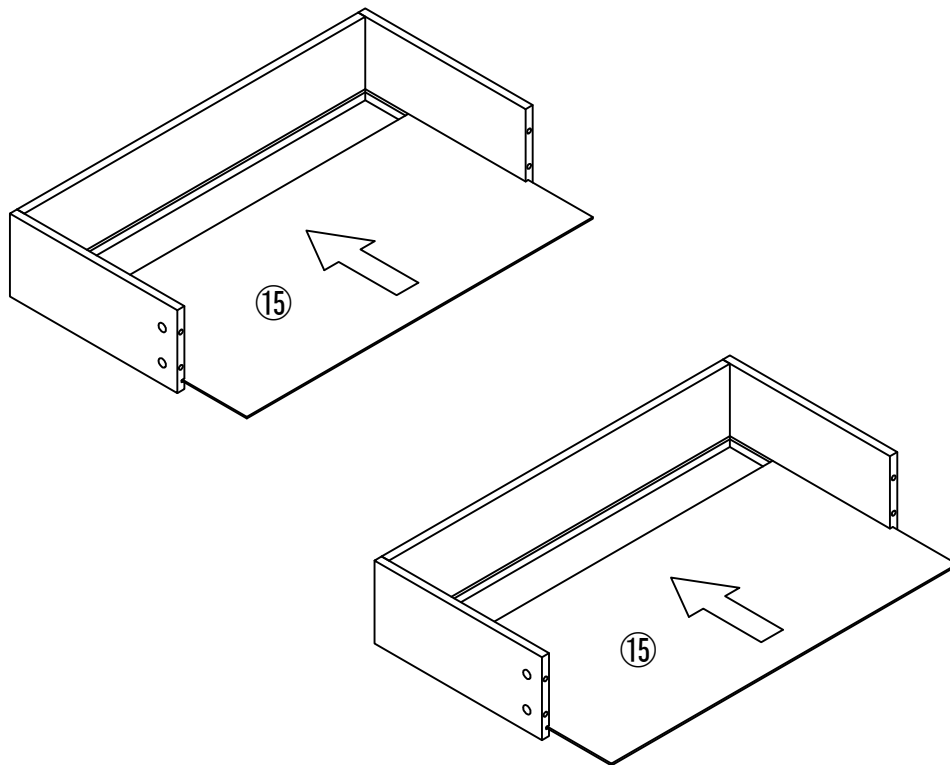
D	$\Phi 3.5 \times 14$	G1	$\Phi 4 \times 18$
			
8pcs		2pcs	2pcs

14

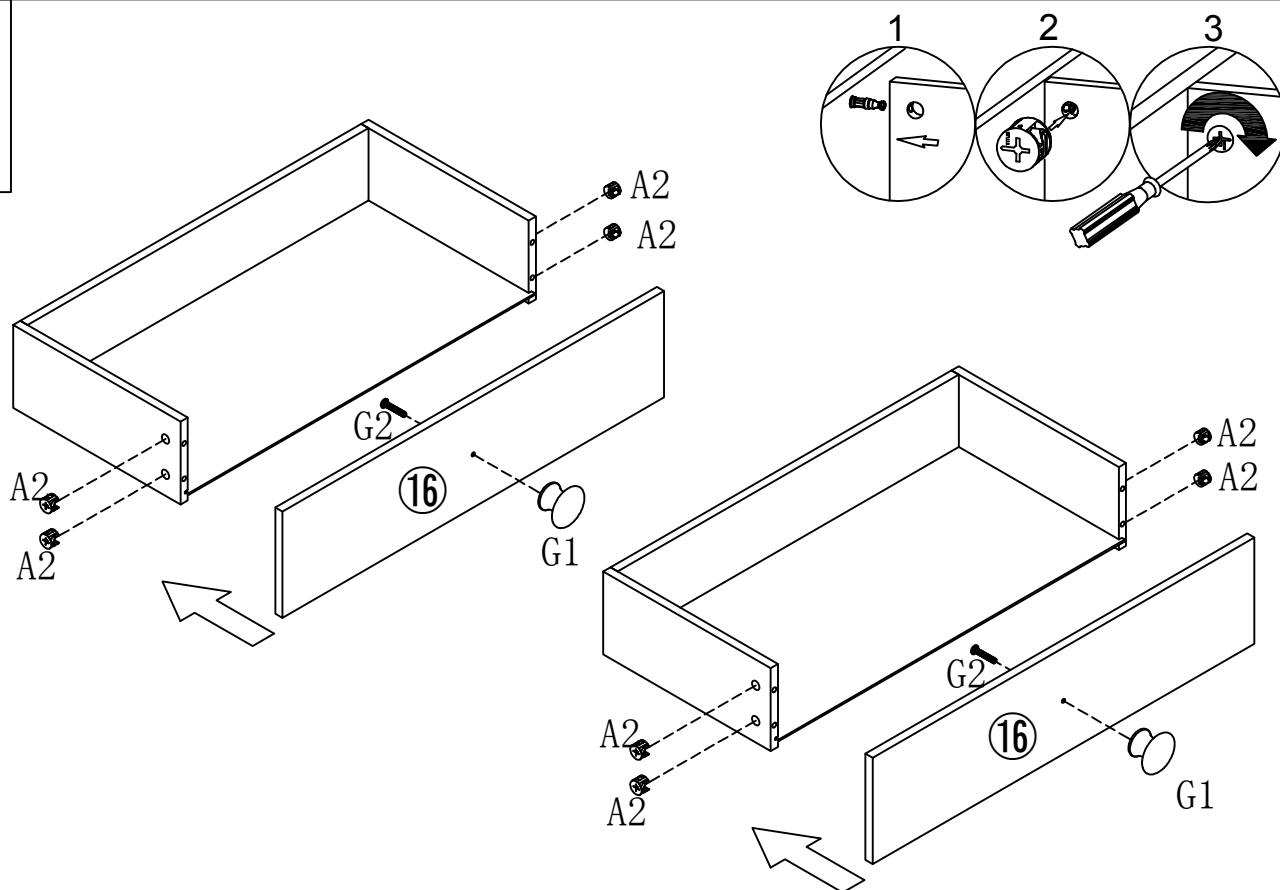





F	$\Phi 3.5 \times 40$
	
8pcs	

15

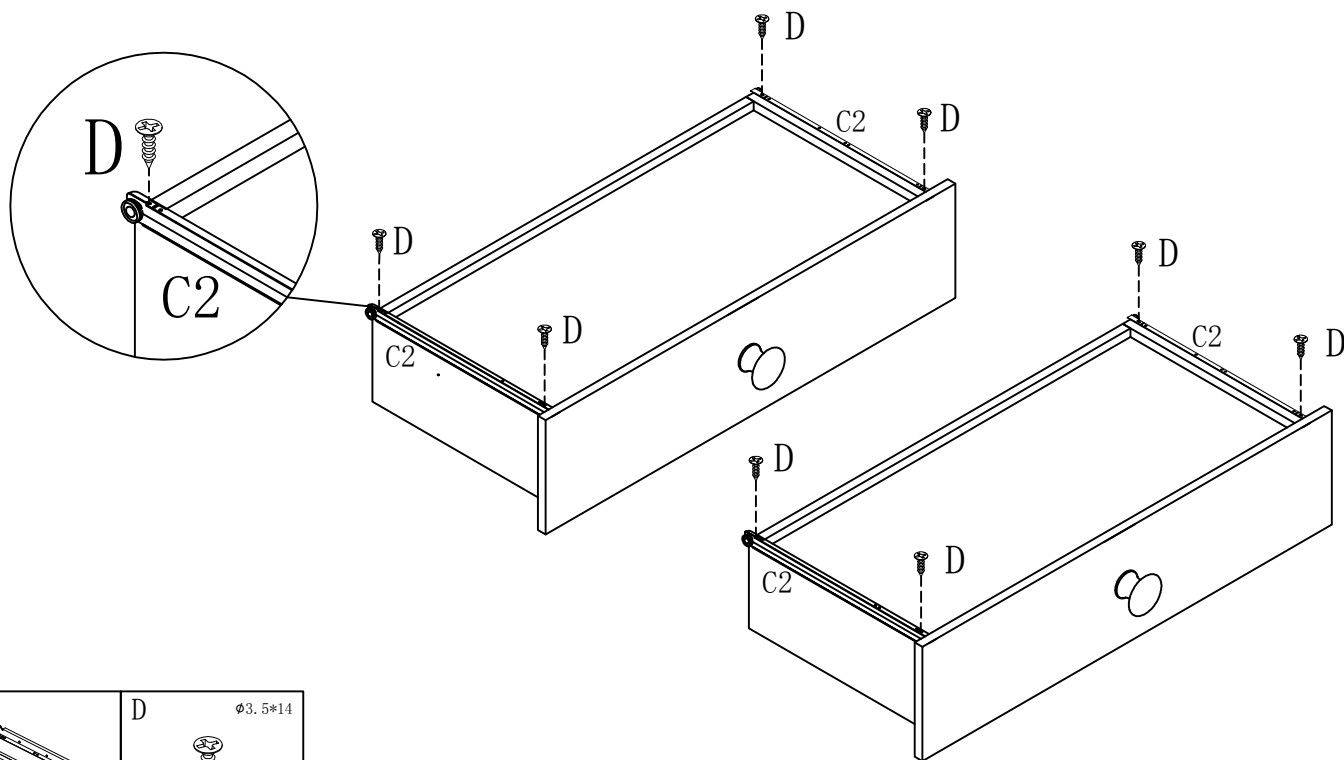


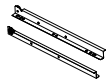

16



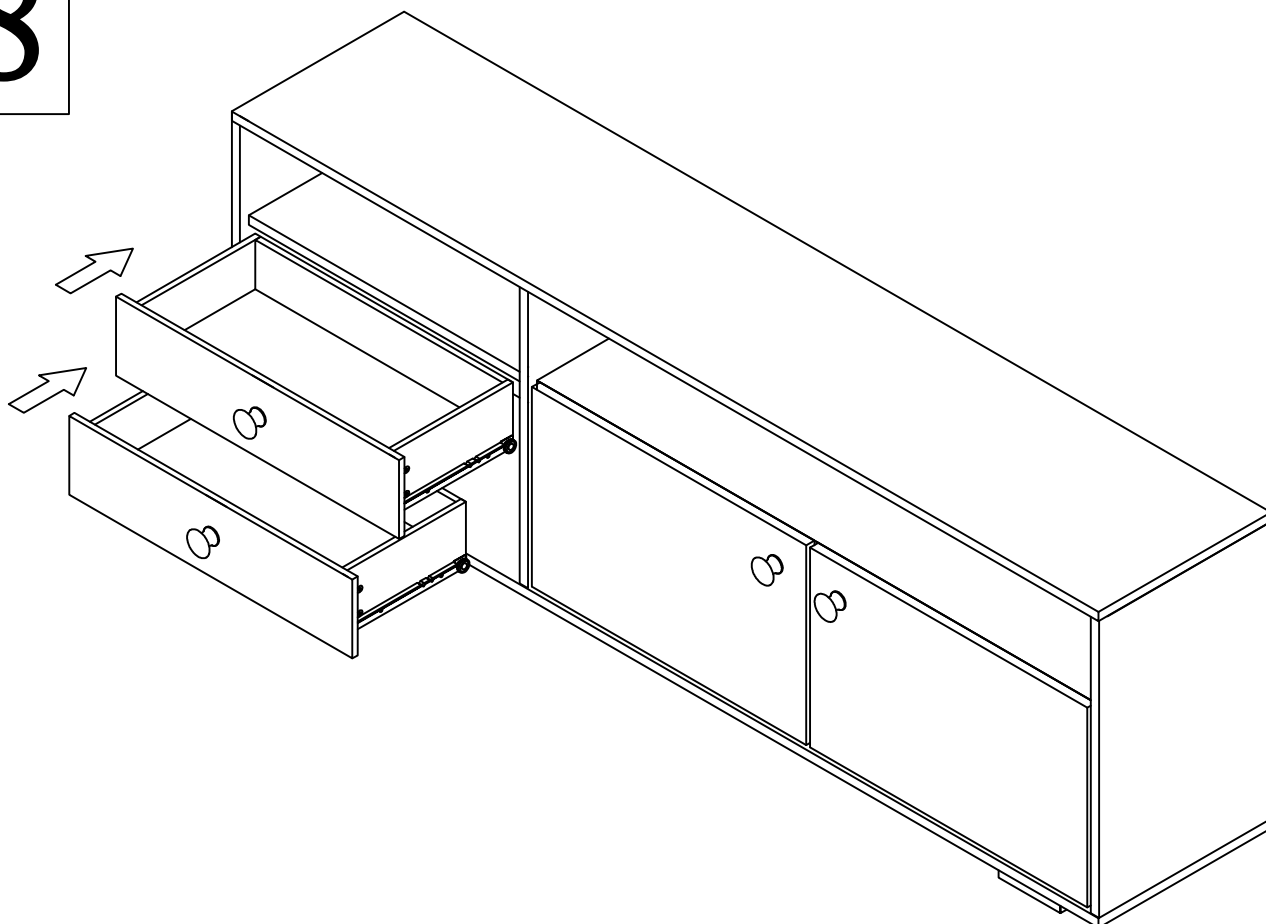
A2	G1	G2 $\Phi 4 \times 18$
		
8pcs	2pcs	2pcs

17

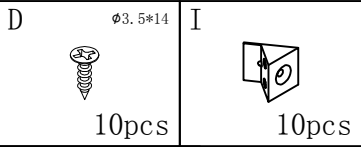
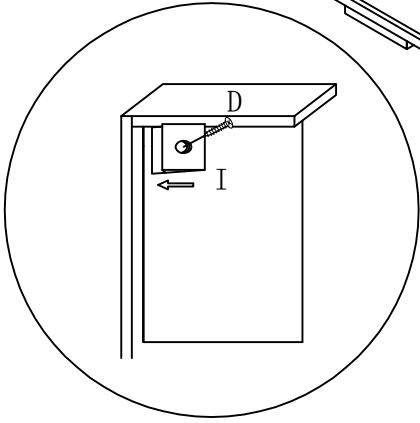
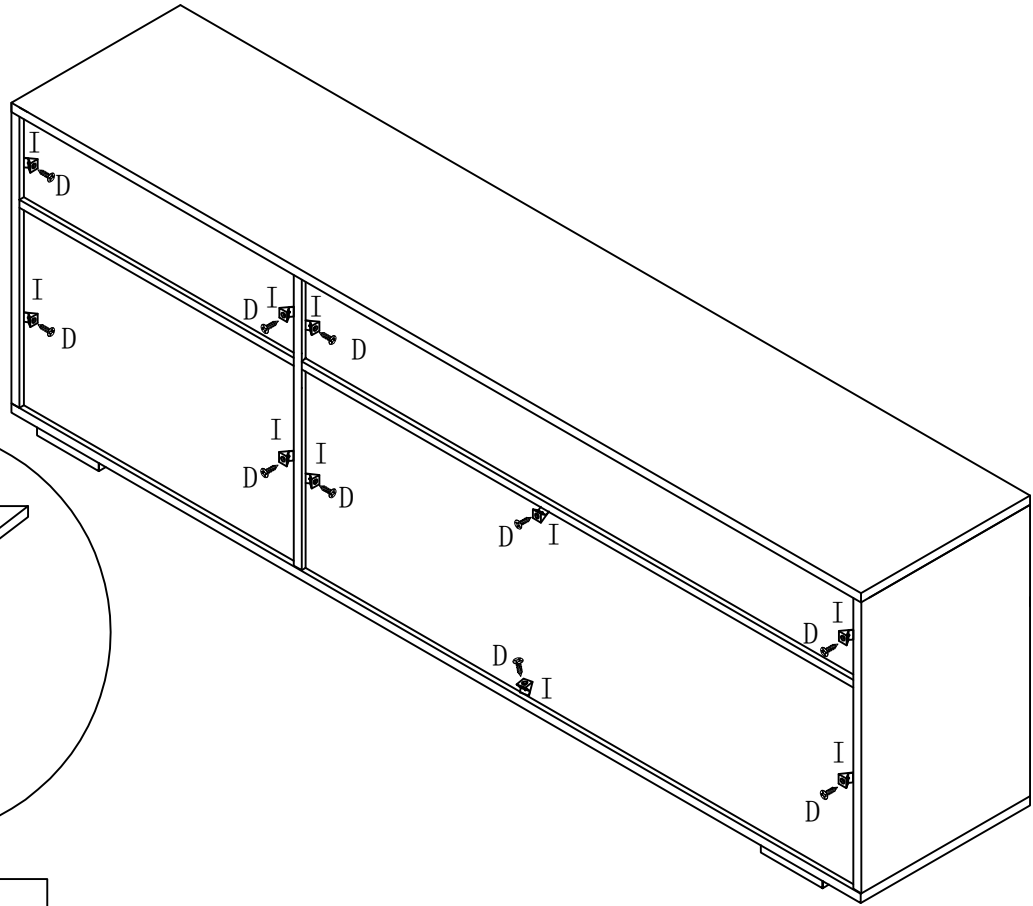


C2	D	ø3.5*14
		
2pcs	8pcs	

18



19



20

