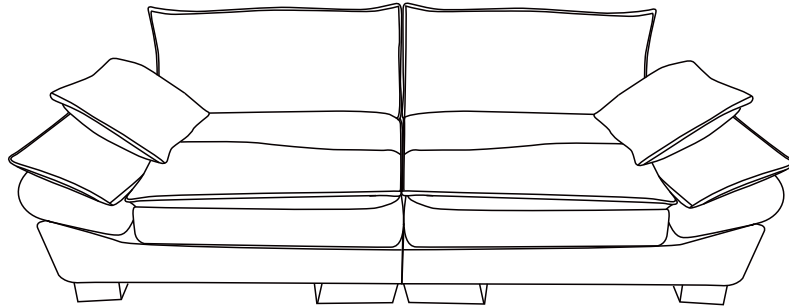
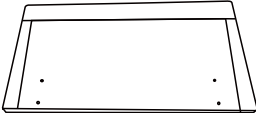
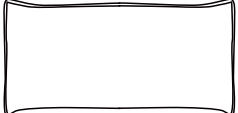
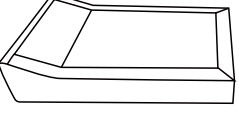
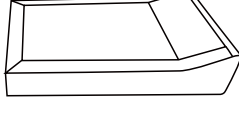
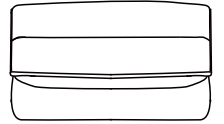
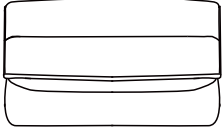


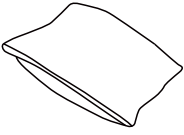
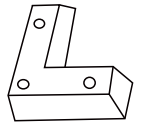


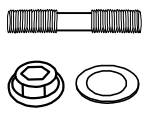
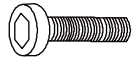


Assembly Instructions



PARTS LIST

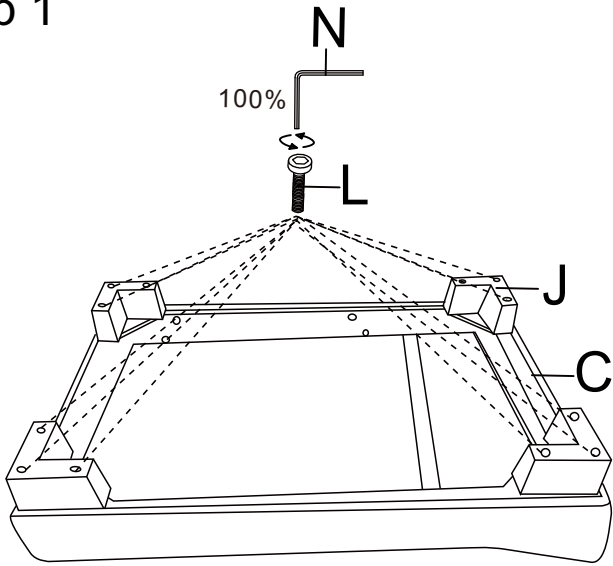
A*2	B*2	C*1	D*1	E*1
				
F*1	G*1	H*1	I*2	J*8
				

HARDWARE LIST

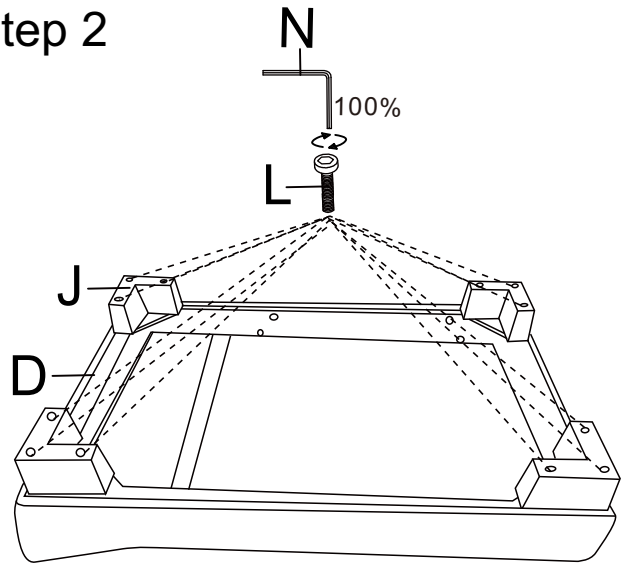
K*8	L*24	M*1	N*1	
				

Assembly Steps

Step 1



Step 2



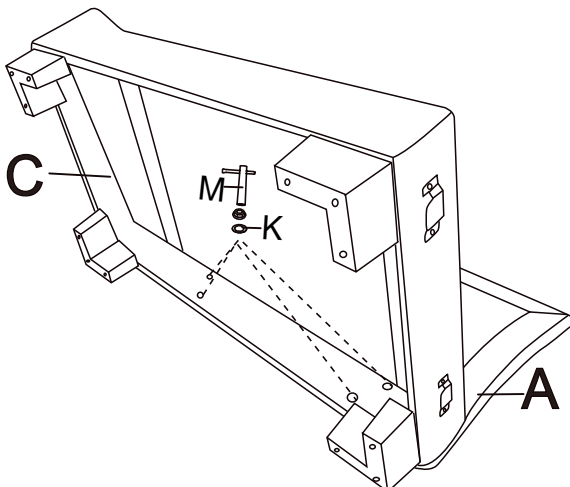
Step 3



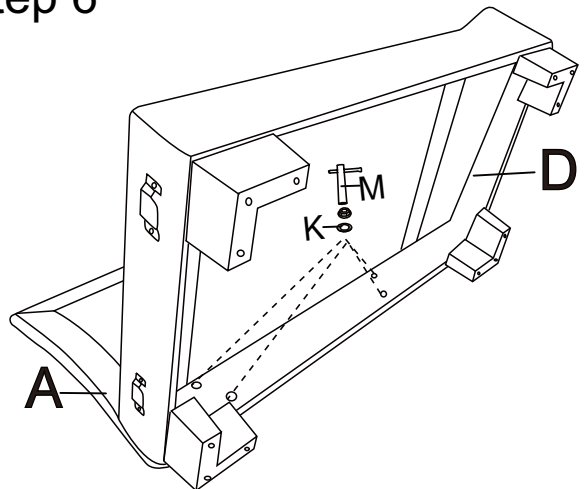
Step 4



Step 5

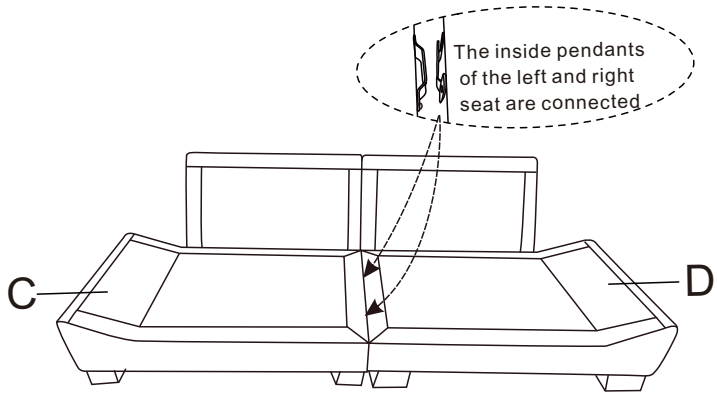


Step 6

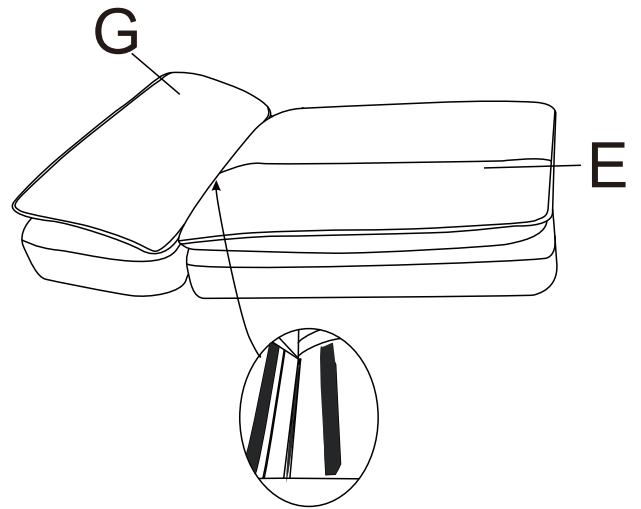


Assembly Steps

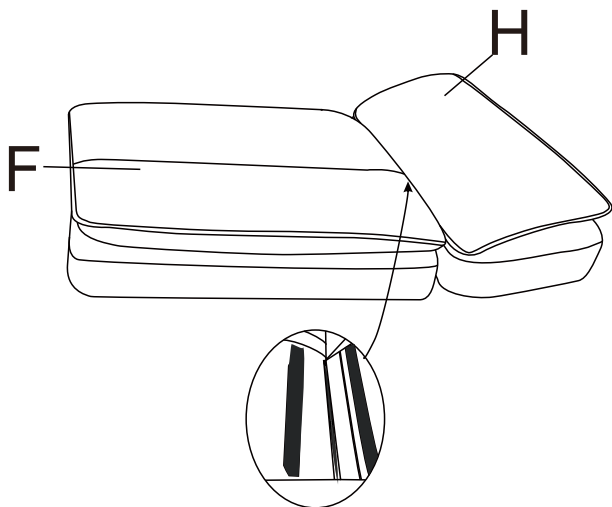
Step 7



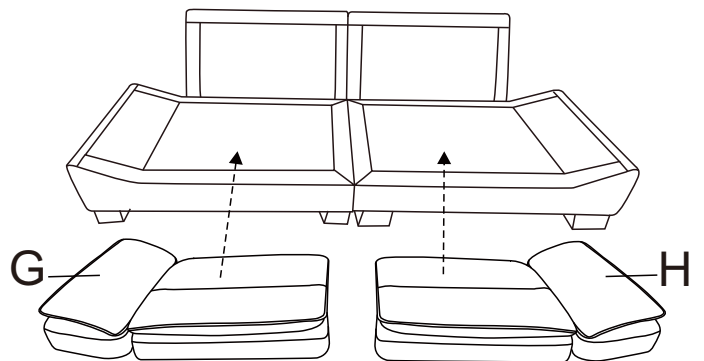
Step 8



Step 9

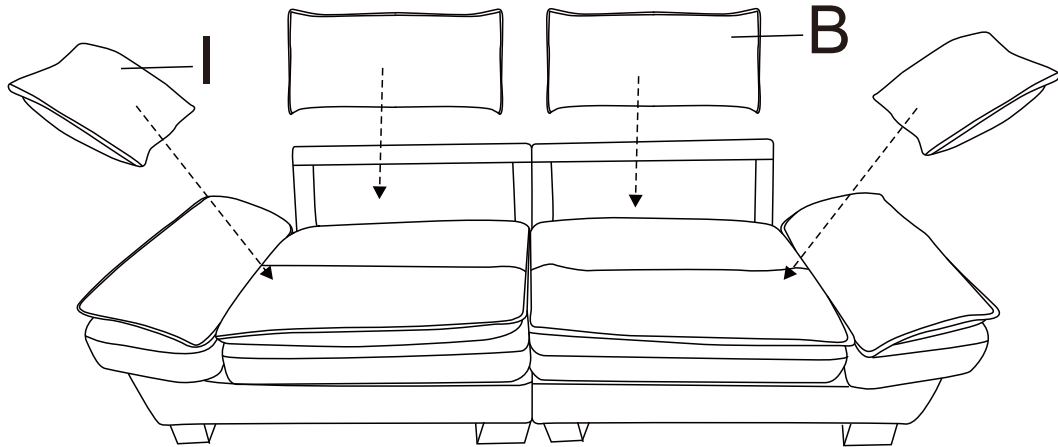


Step 10



Assembly Steps

Step 11



Step 12

