
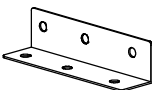

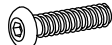
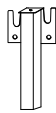
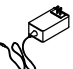

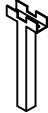















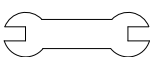



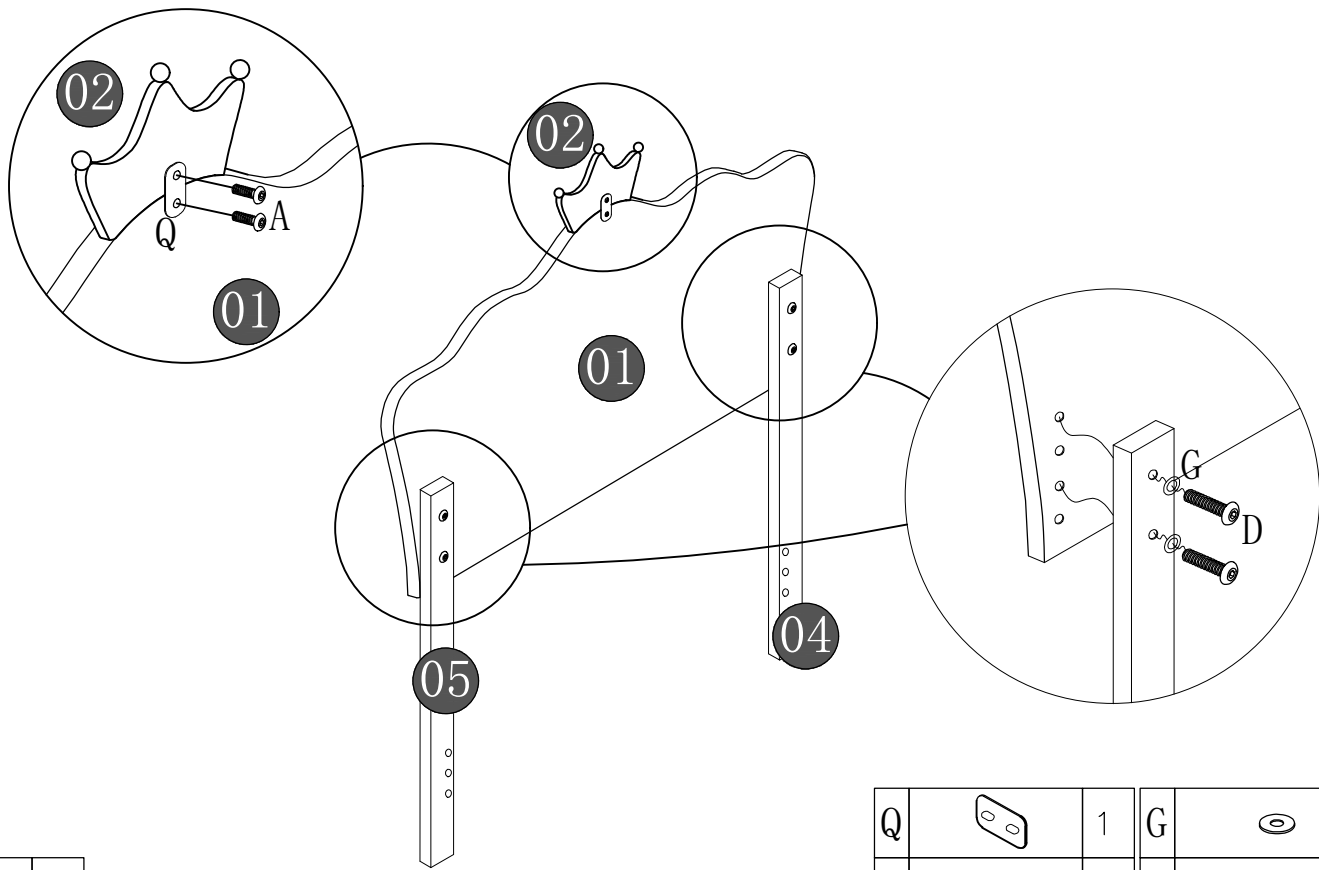


A	 8*15	32	J		4	S		2
B	 8*35	7	K	 26.5cm	2	T		1
C	 8*40	10	L	 25.5cm	1	U		1
D	 8*50	12	M	 25.5cm	3	V		1
E	 4.2*13	4	N		2	W		2
F	 4*10	6	O	 1.5	4	X		1
G		10	P	 2.5cm	2	Y		1
H		7	Q		1	Z		1
I		1	R		2	a		1

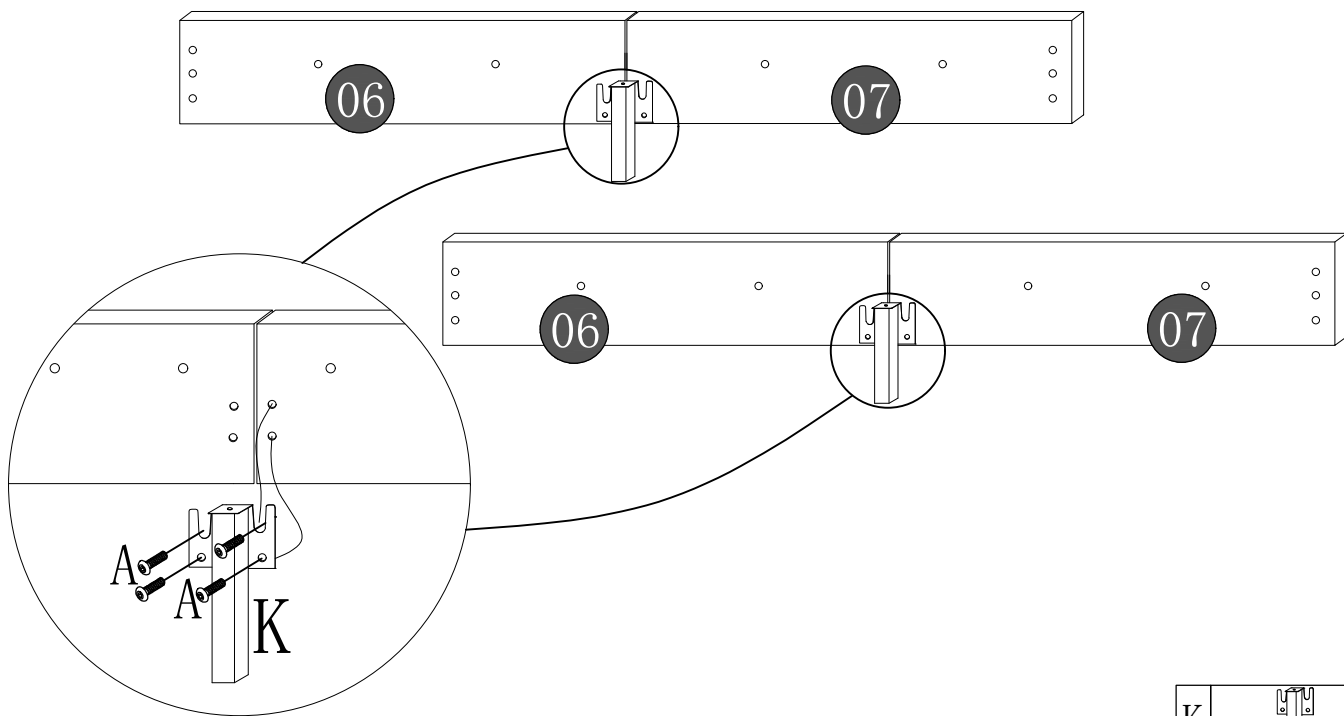
01



Q		1	G		4
A		2	D		4
					8*15
					8*50

Y		1
---	--	---

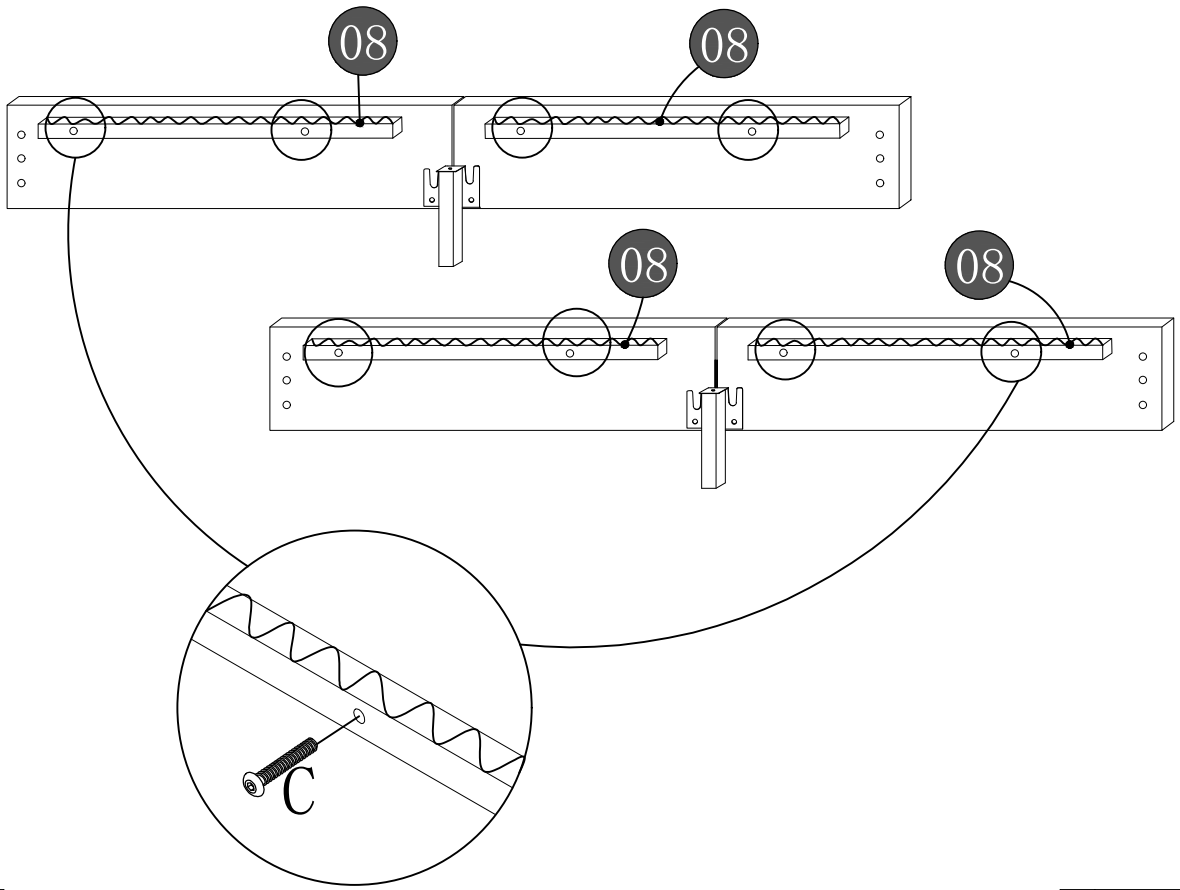
02



K		2
A		8
		26.5cm
		8*15

Y		1
---	--	---

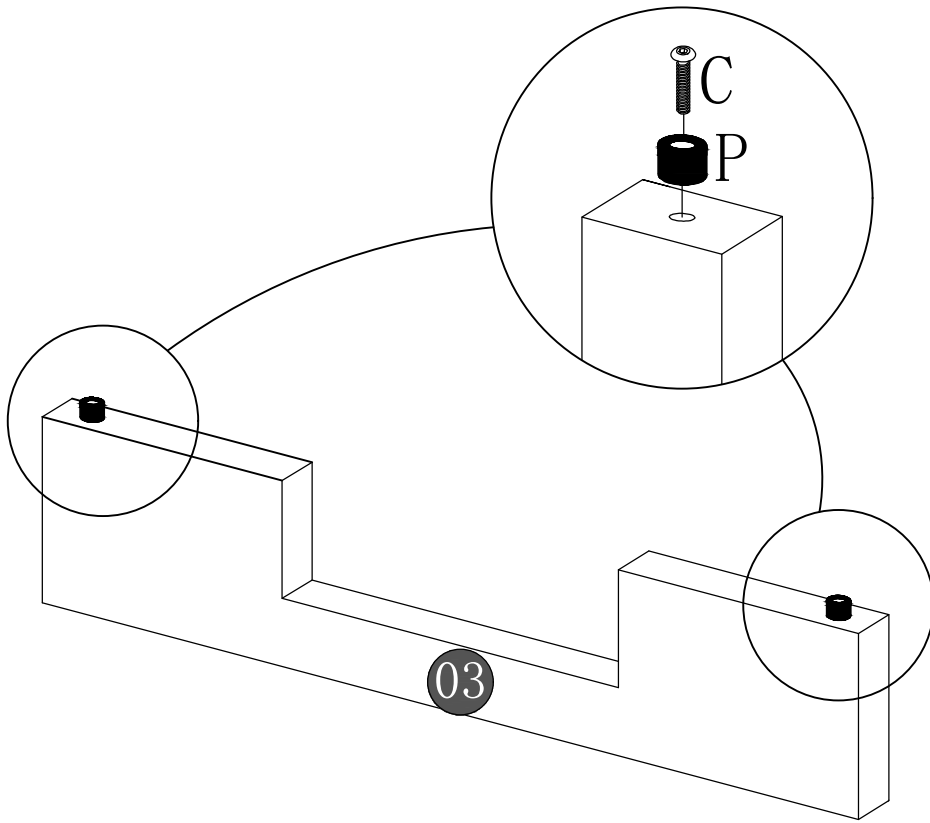
03



Y		1
---	--	---

C		8
---	--	---

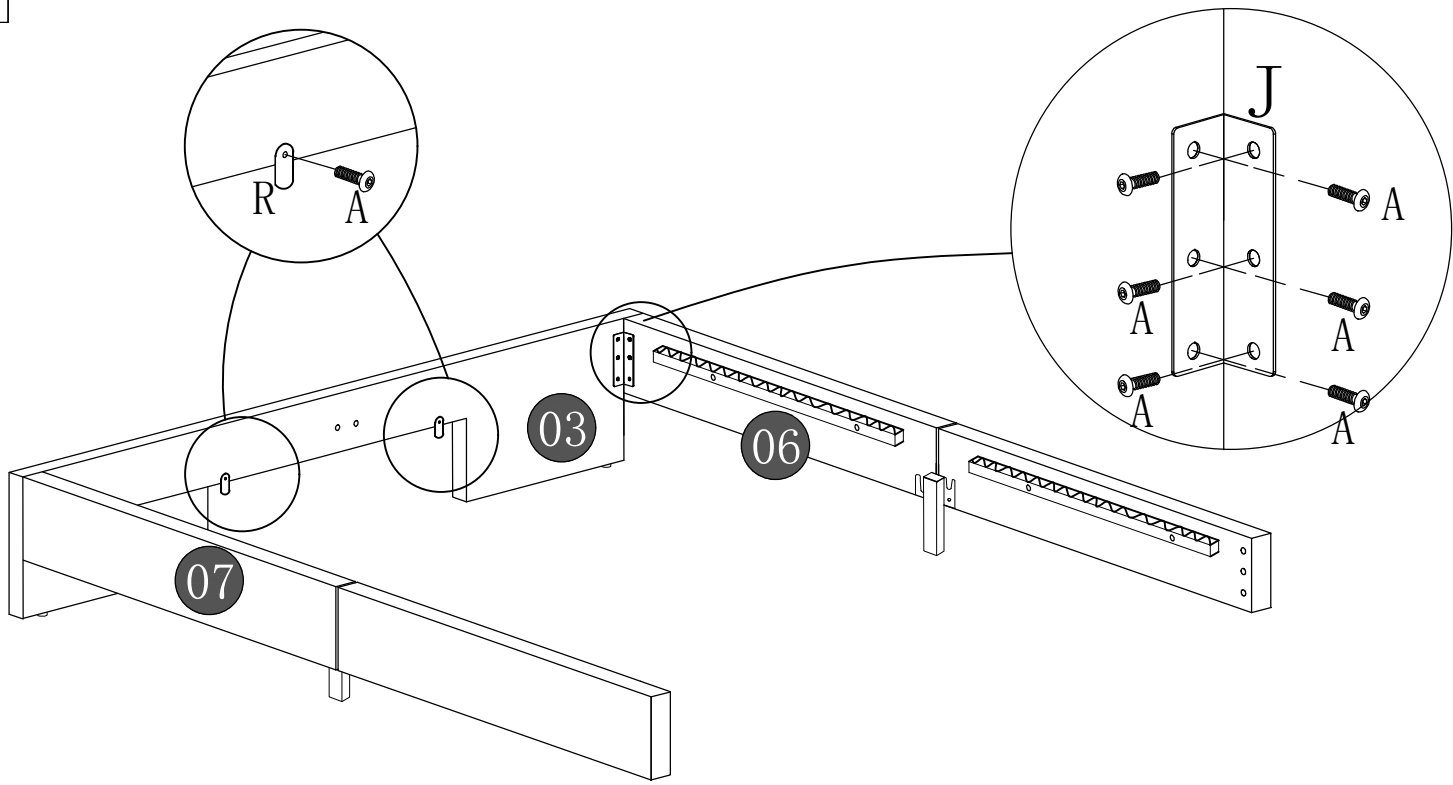
04



Y		1
---	--	---

C		2
P		2

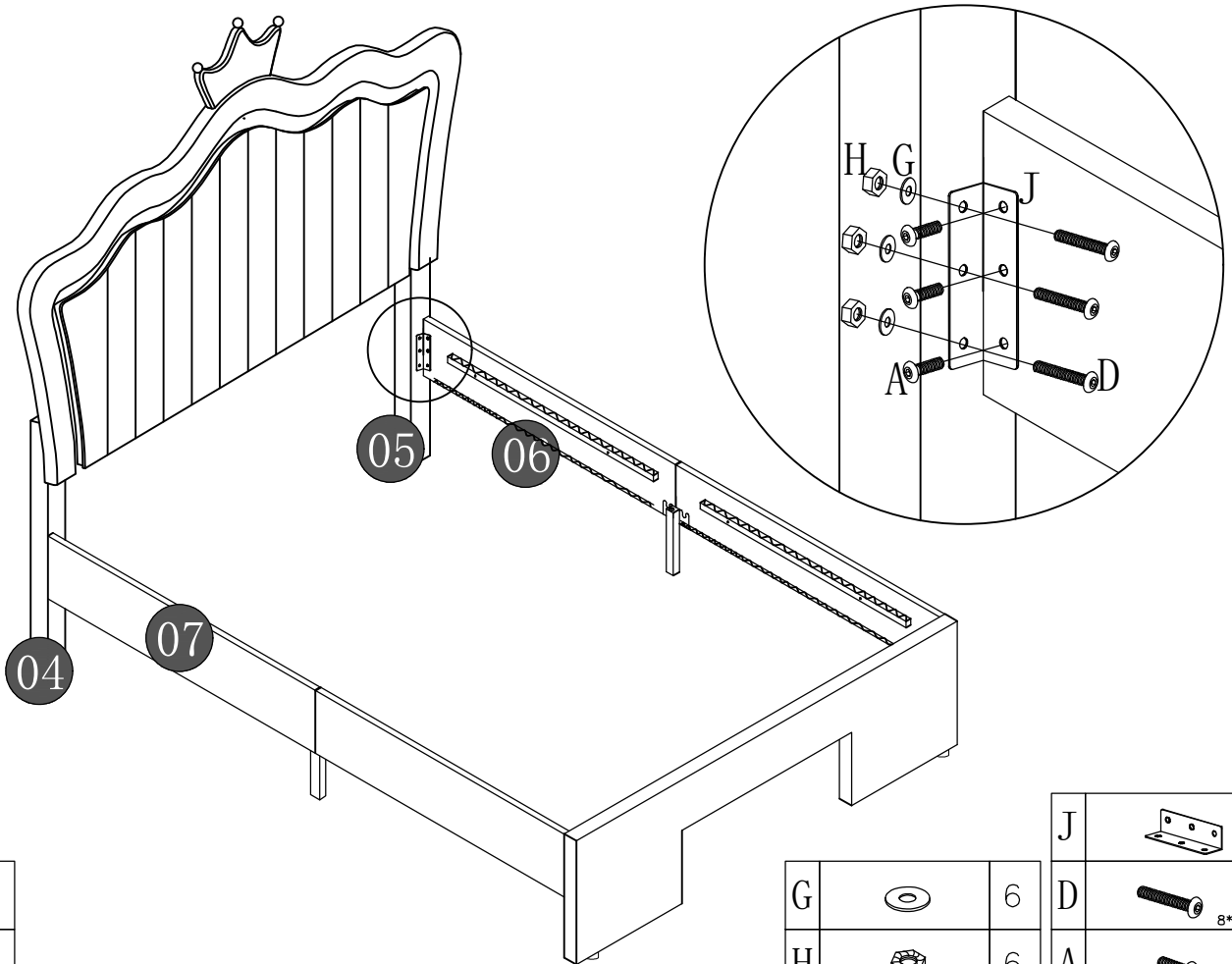
05



Y		1
---	--	---

R		2	J		2
A		14	A		8*15

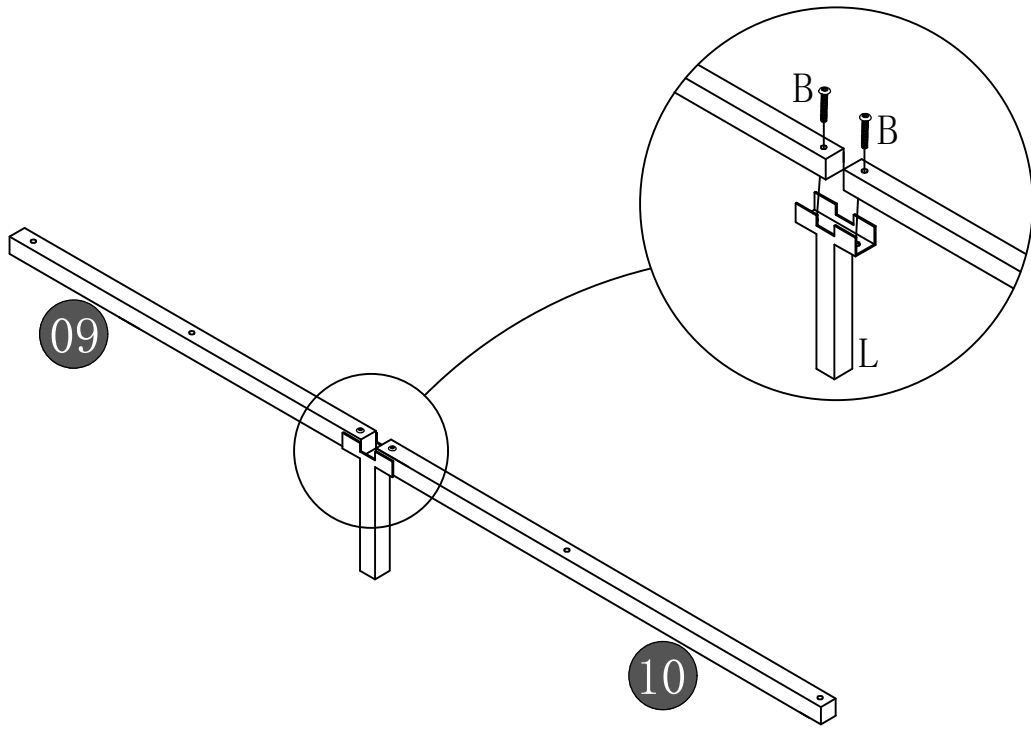
06



Z		1
Y		1

G		6	J		2
H		6	D		8*50
A		6	A		8*15

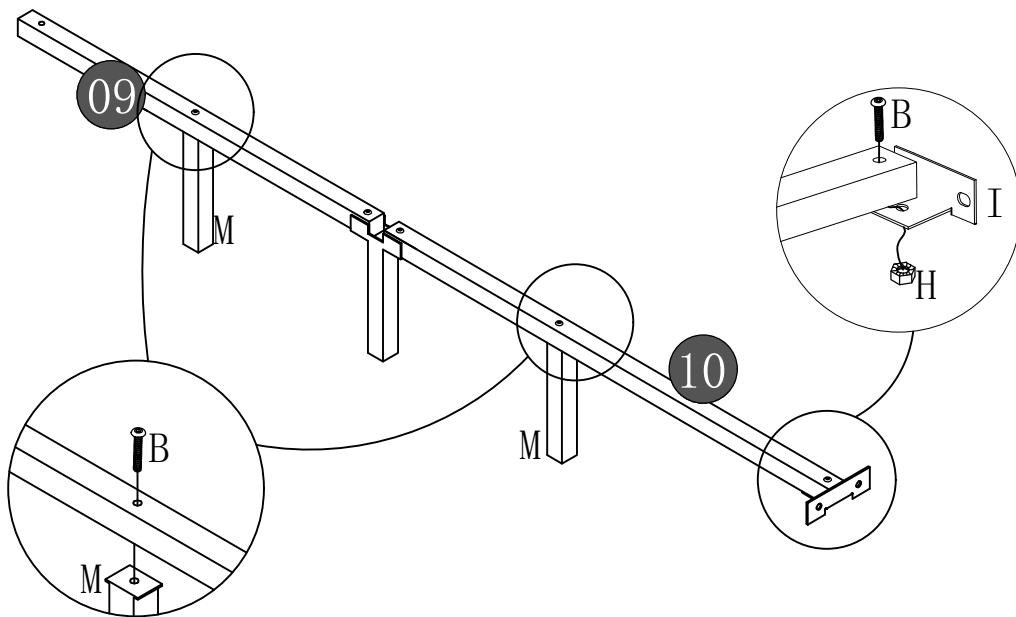
07



Y		1
---	--	---

L		1
B		2

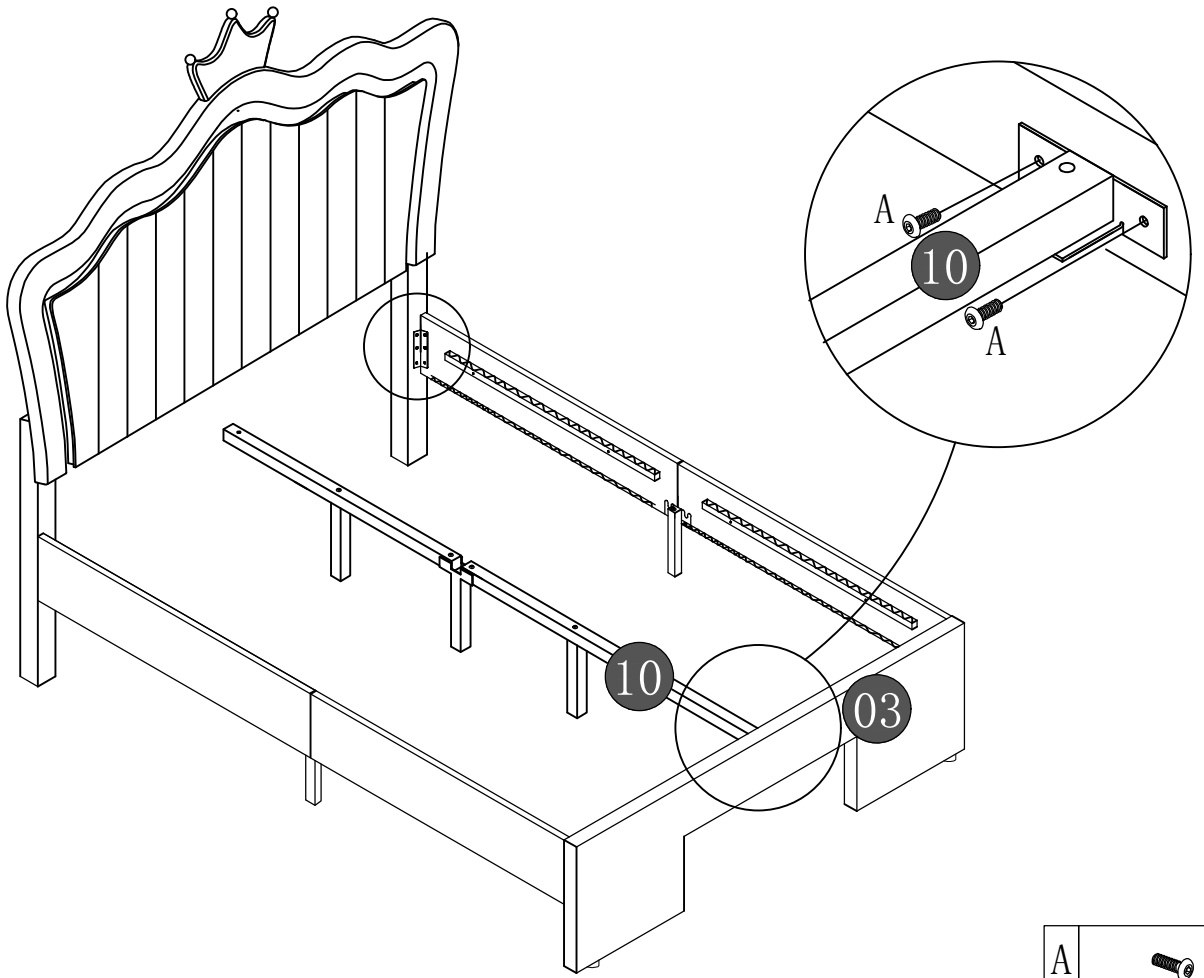
08

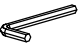



Z		1
Y		1

I		1
M		2
H		1
B		3

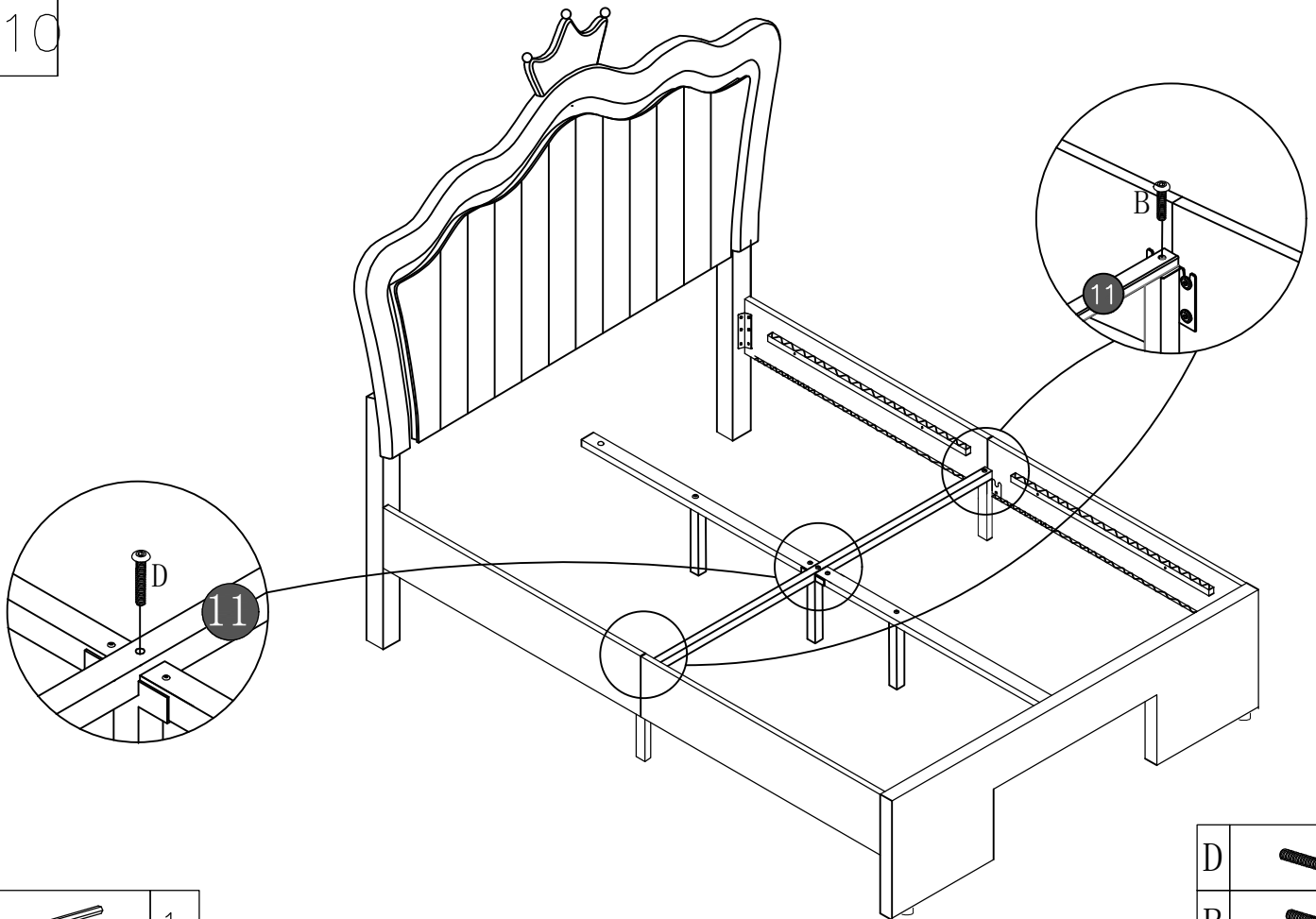
09

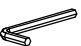




Y		1
---	--	---

A		2
---	---	---

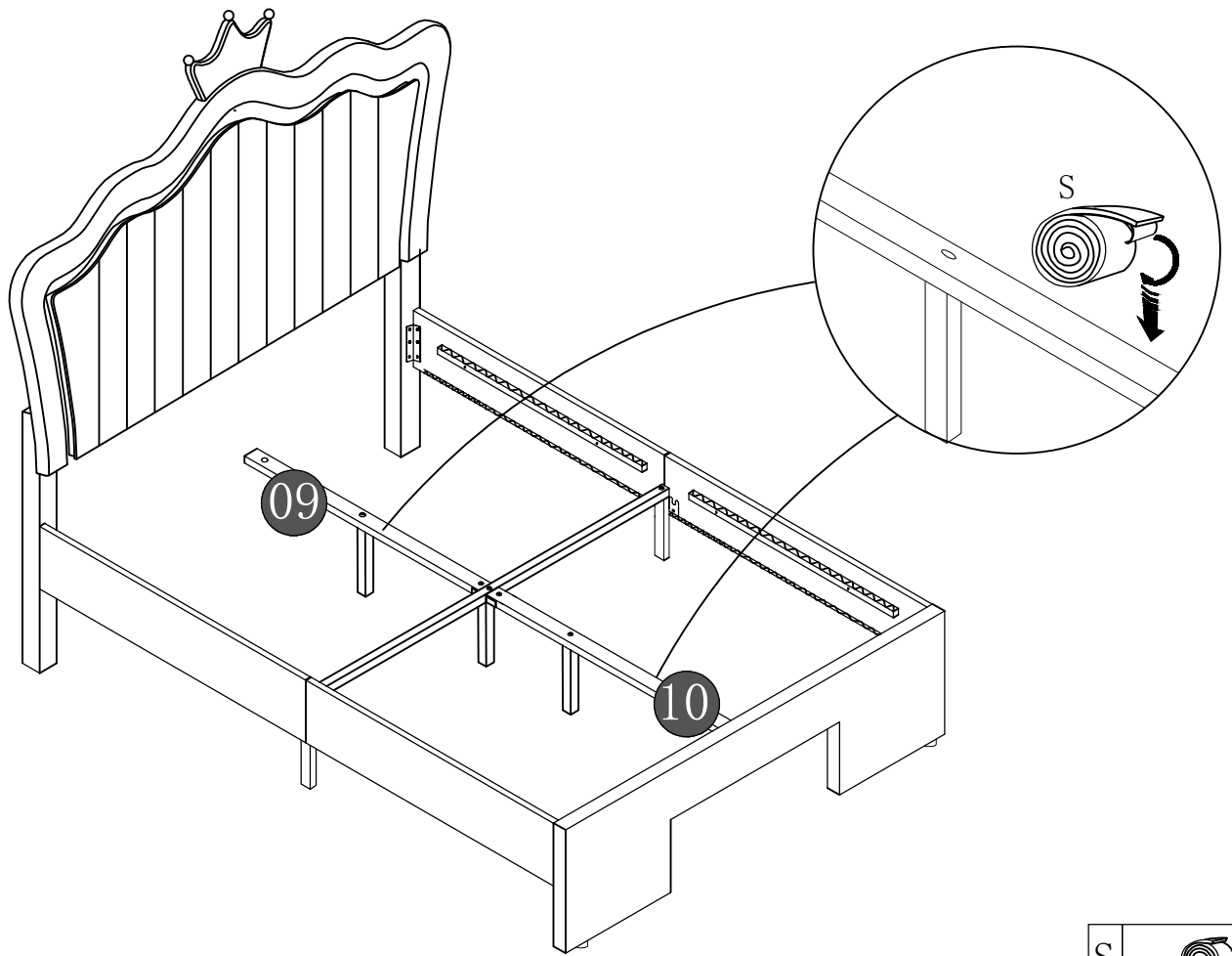
10



Y		1
---	--	---

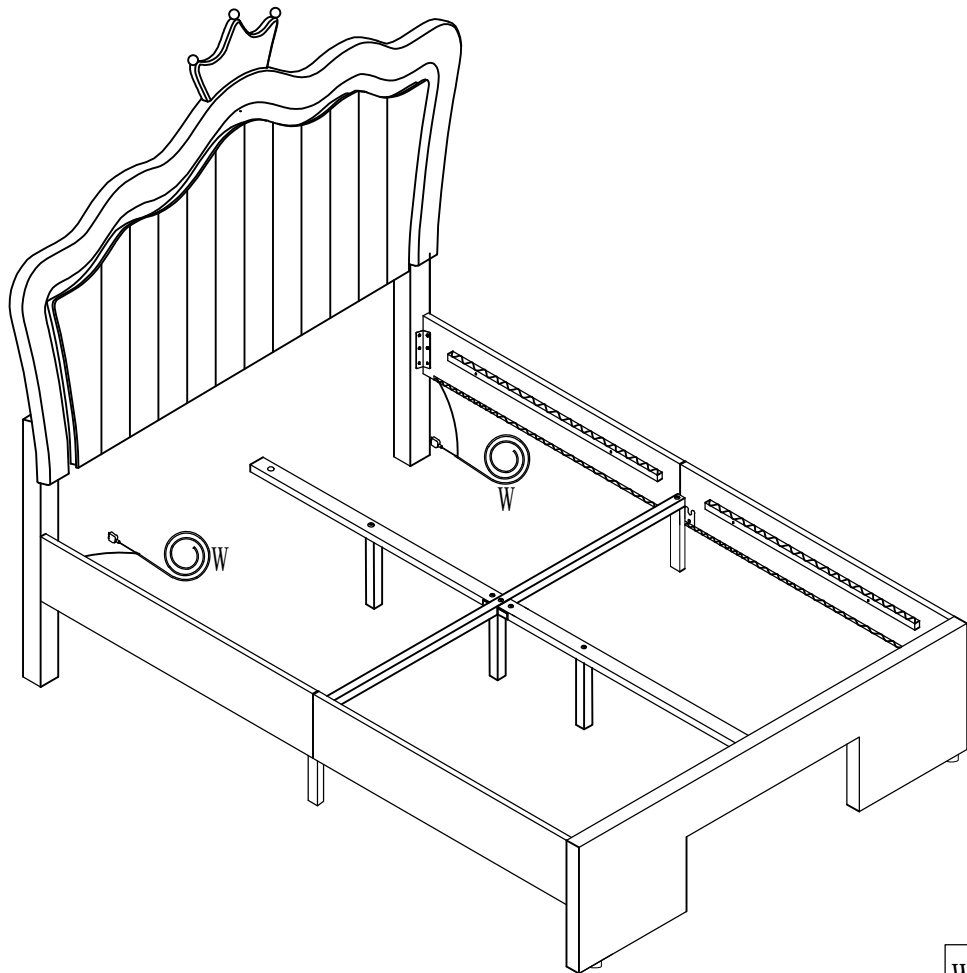
D		1
B		2


11



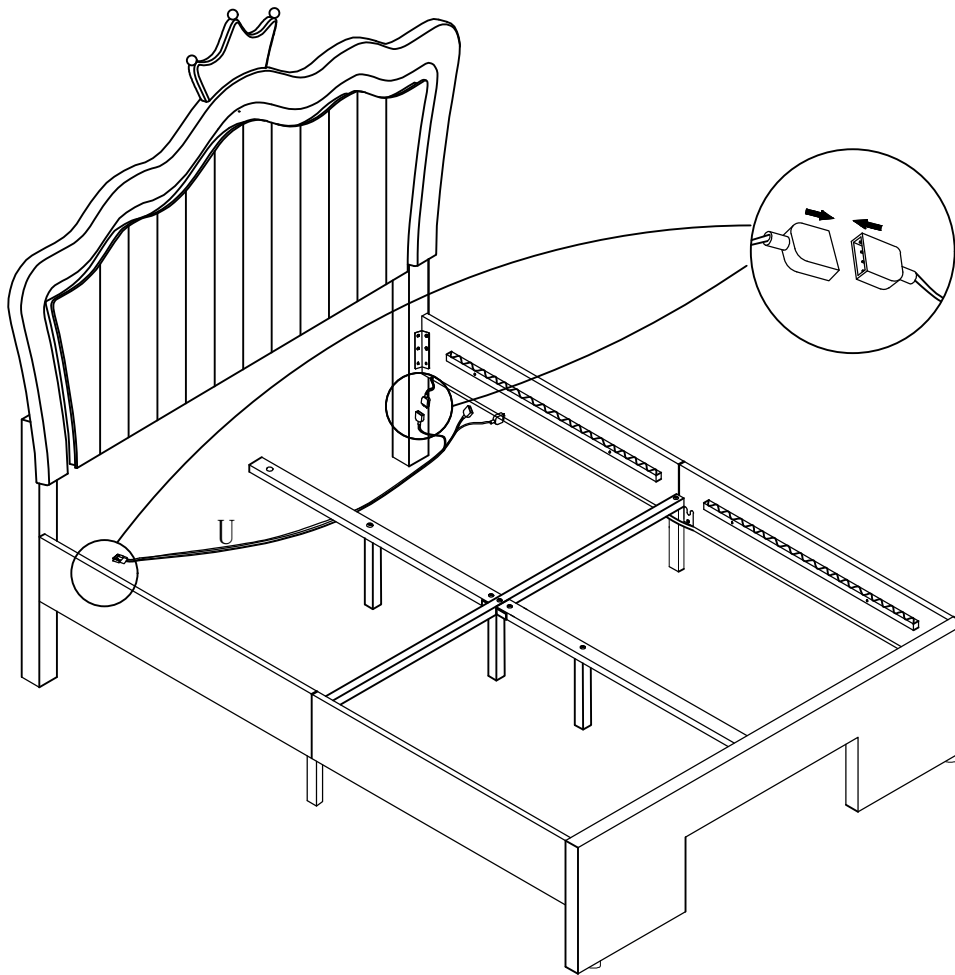
S		2
---	---	---

12



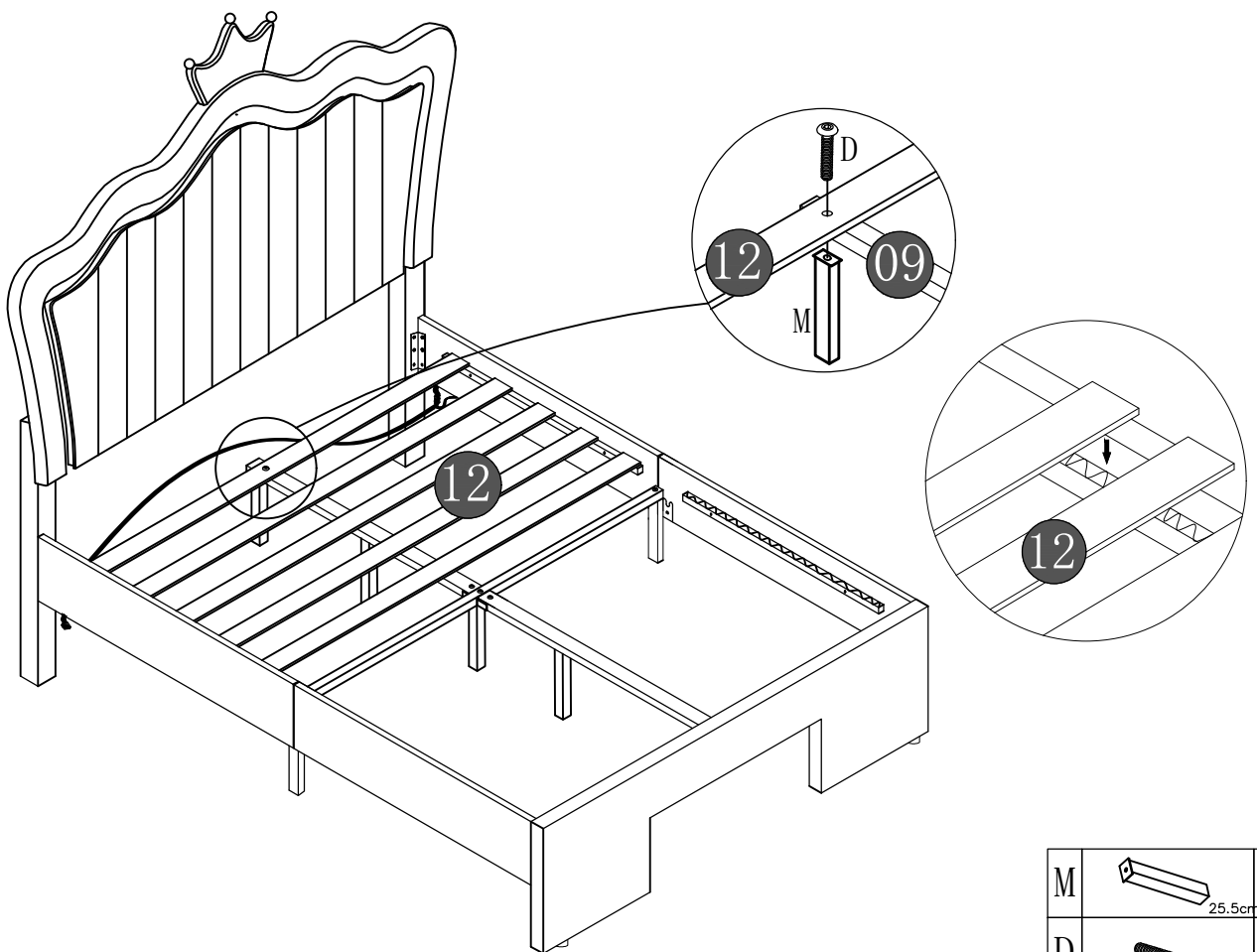
W		2
---	---	---

13



U		1
---	--	---

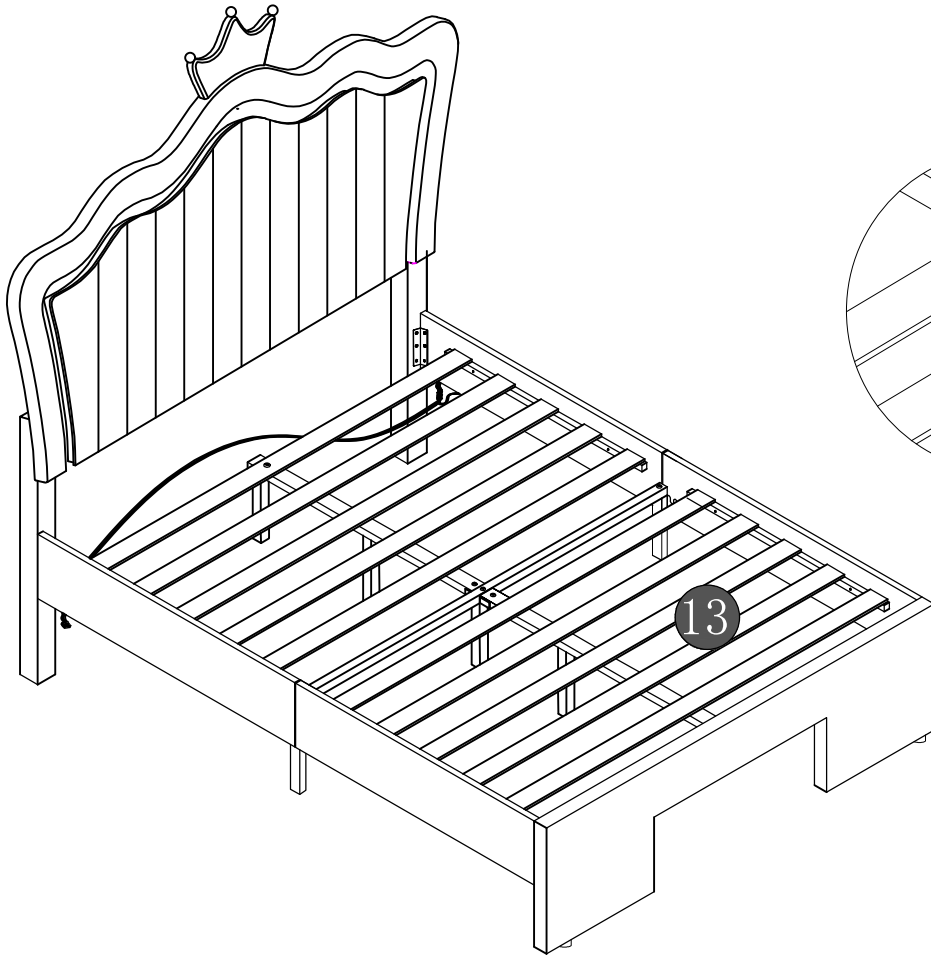
14



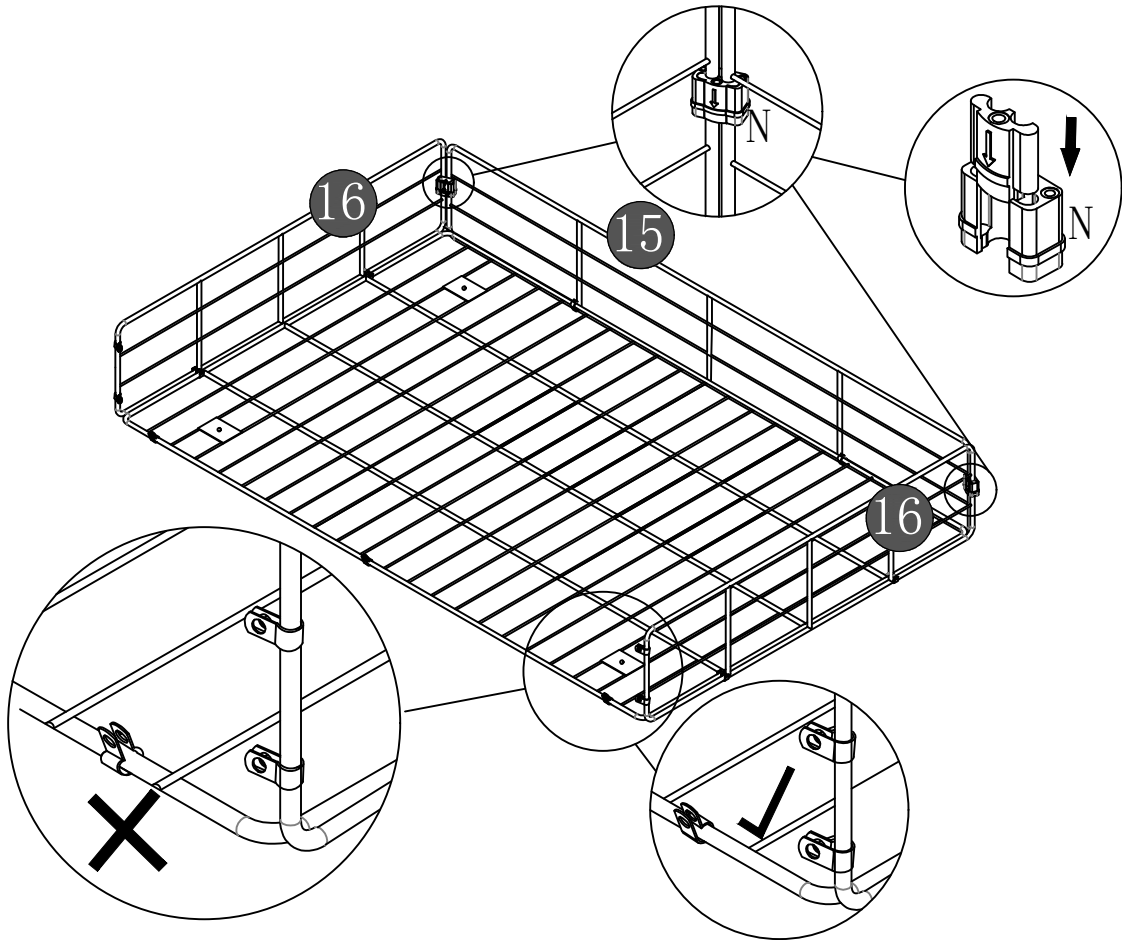
M		1
D		1

Y		1
---	--	---

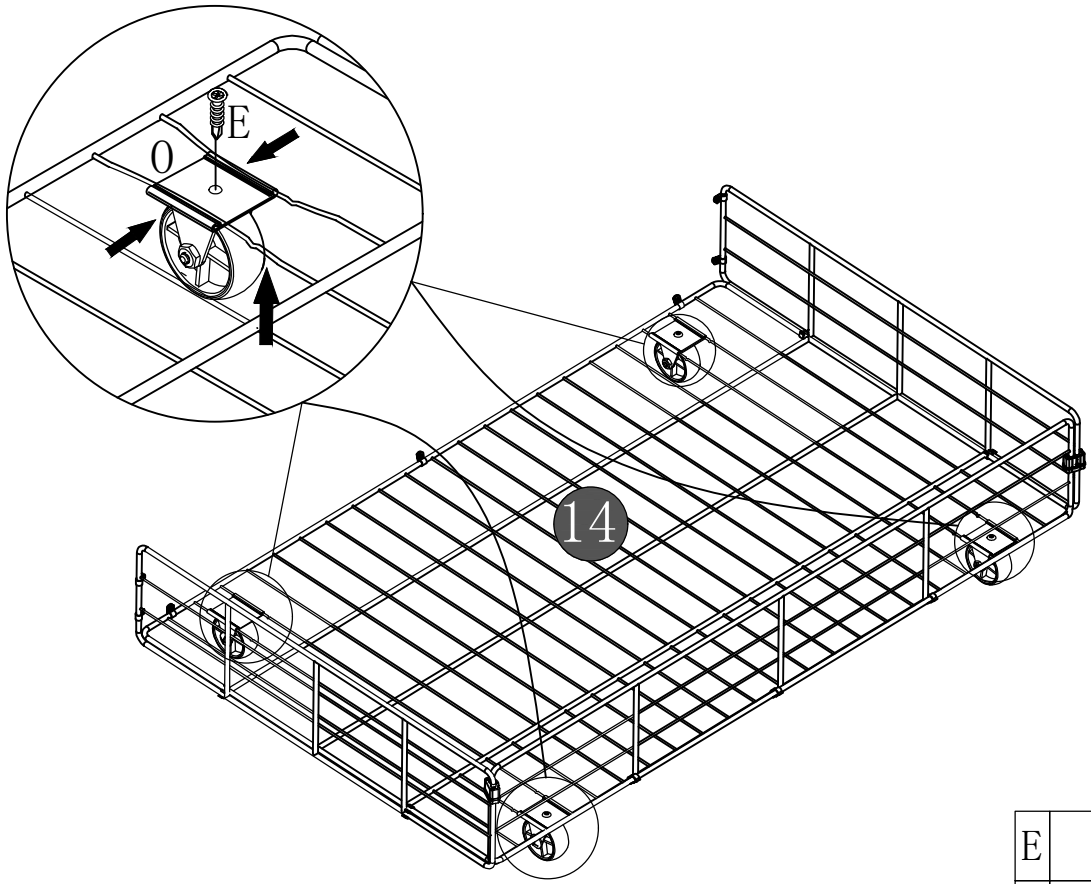
15






16



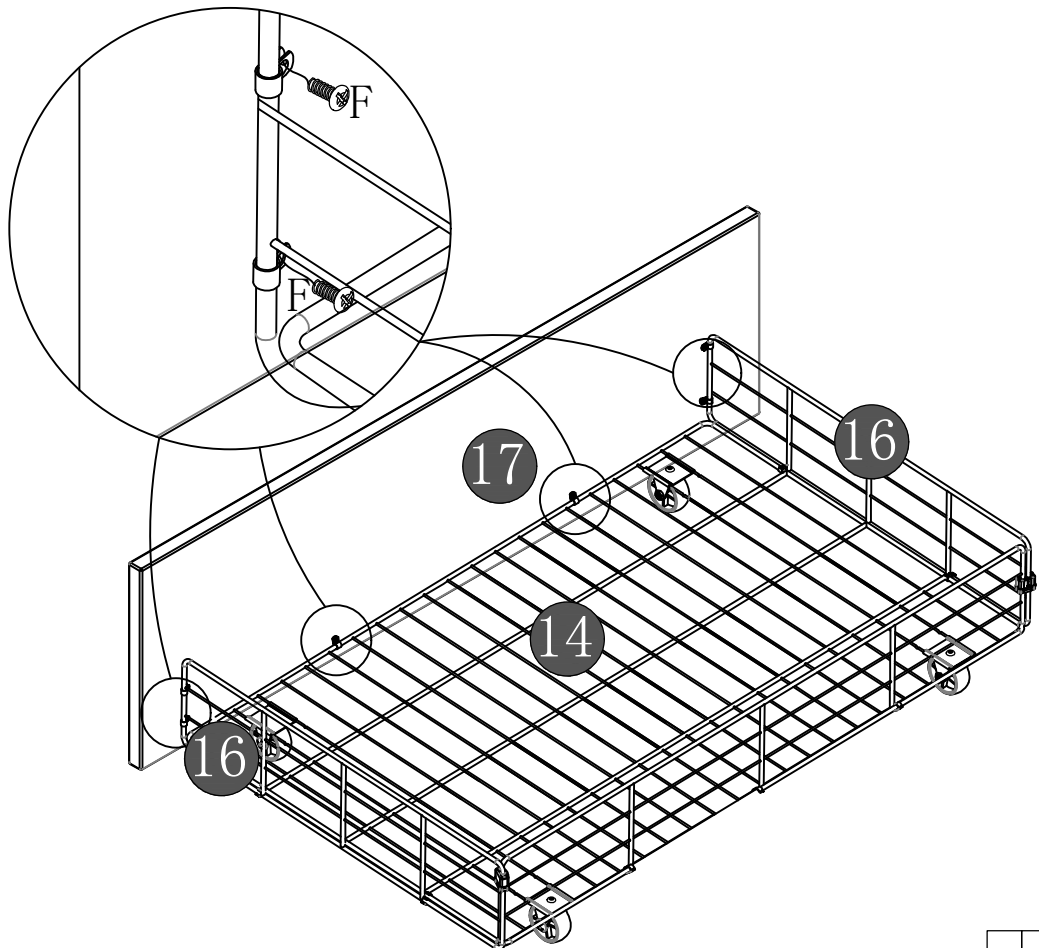
17





E	 4.2*13	4
O	 1.5	4

a		1
---	--	---

18





F	 4*10	6
---	--	---

a		1
---	--	---

19



V		1
T		1

20

