

Model:HFTP-110BK

Multi-functional and professional mobile stand
 For screen sizes: 32"-65"
 Max capacity:45.5kg / 100lbs
 AV shelf max load: 10lbs / 4.5kg
 VESA: 200x200~600x400mm

WARNING!

- Severe personal injury and property damage can result from improper installation or assembly. Read the following warning carefully before beginning.
- If you do not understand the instructions or have any concerns or questions, please contact a qualified local installer.
 - Do not install or assemble if the product or hardware is damaged or missing, if you require replacement parts, please contact your local distributor for assistance.
 - This product fits most 32"-58" LCD/plasma screen; maximum weight of LCD/plasma screen: 100lbs/45.5kg; AV shelf max load: 10lbs/4.5kg.
 - Do not use this product for anything other than the original design.
 - This product contains moving parts, please use with caution.
 - The manufacturer disclaims any liability for the modifications, improper installation, or installation over the specified weight range. The manufacturer will not be liable for any damages arising out of the use of, or inability to use, the product.
- ▶ All images are for reference, to prevail in product.

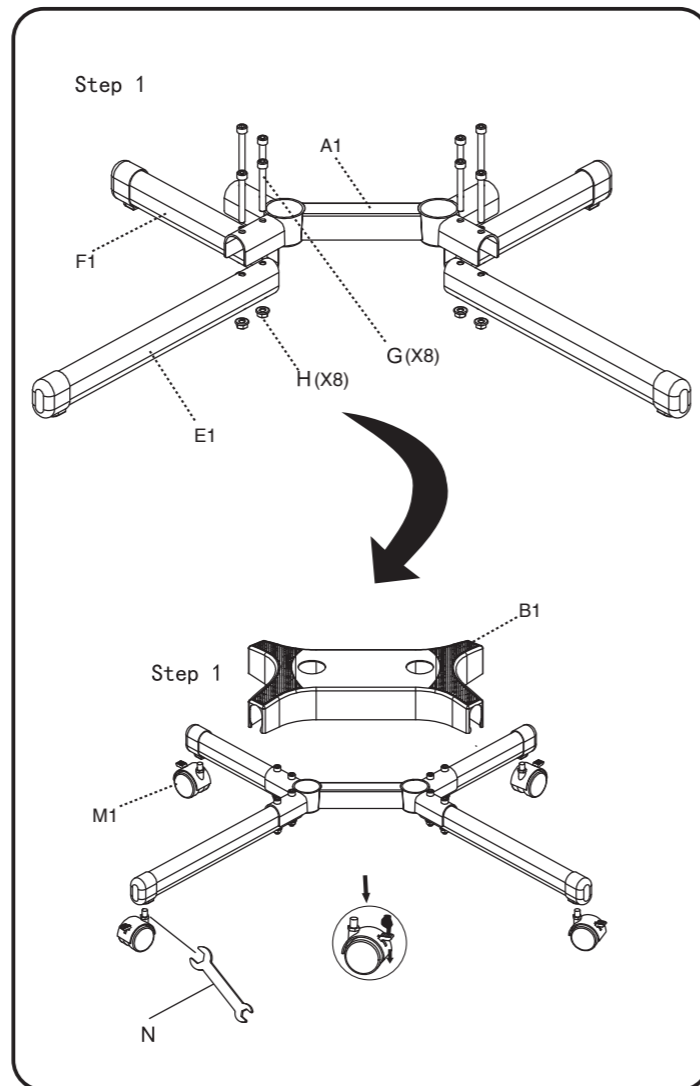
Manual

Tightening Direction	Loosening Direction	Phillips Screwdriver	Metre Rule	Adjustment	By Hand	Hex Wrench

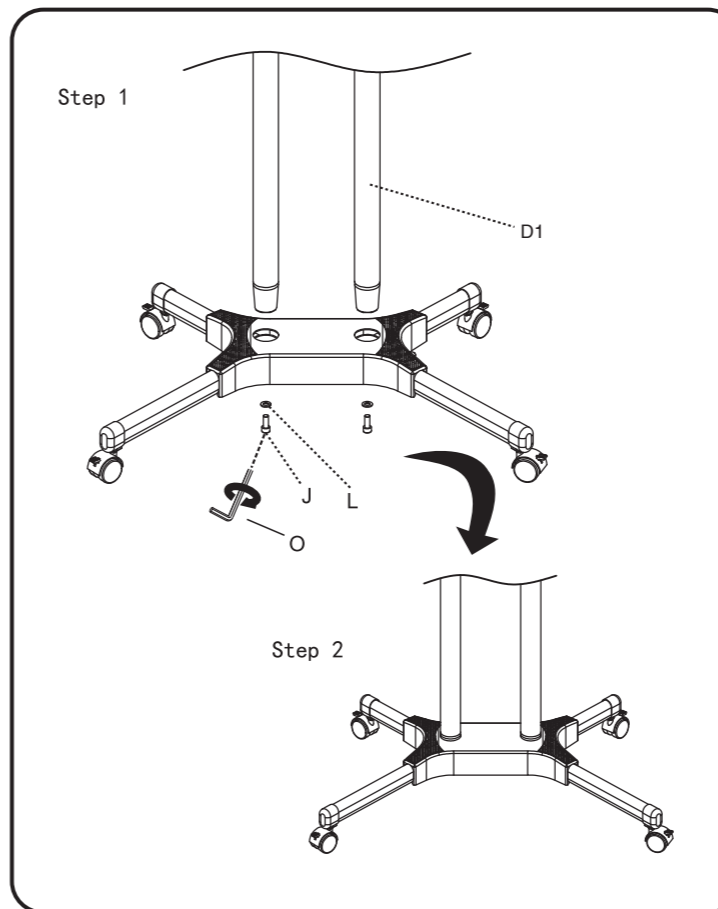
Parts List

1X A1	2X		2X			
1X B1	D1		E1			
1X C1			2X F1			
1X G1	1X H1	1X I1	1X J1	1X K1	4X L1	4X M1
					2X N1	
A 4X M4x25mm	B 4X M5x25mm	C 4X M6x25mm	D 4X M8x25mm	E 4X Φ16×Φ6.2×1.5mm	F 4X Φ17x8.2xH12mm	
G 12X M8x60mm	H 8X M8	I 2X M8x25mm	J 2X M10x30mm	K 2X M5x12mm	L 2X Φ21.5×Φ10×1.2mm	
M 1X		N 1X M8		O 1X M5	1X M6	1X M8

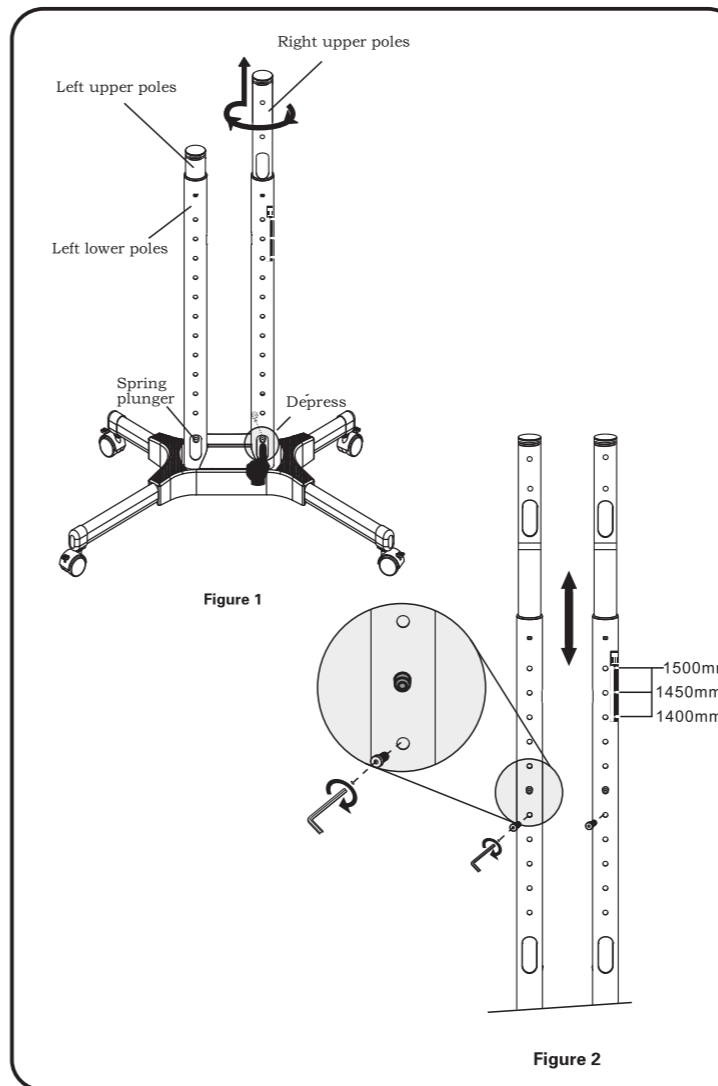
1. Castor wheels to base installation



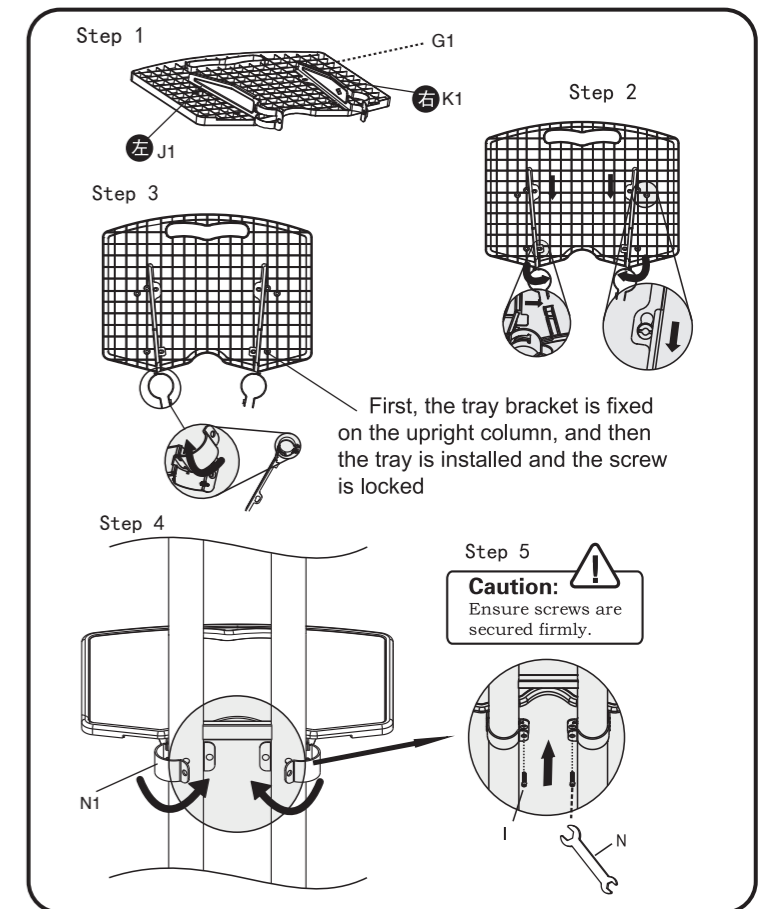
2. Post assembly to base installation



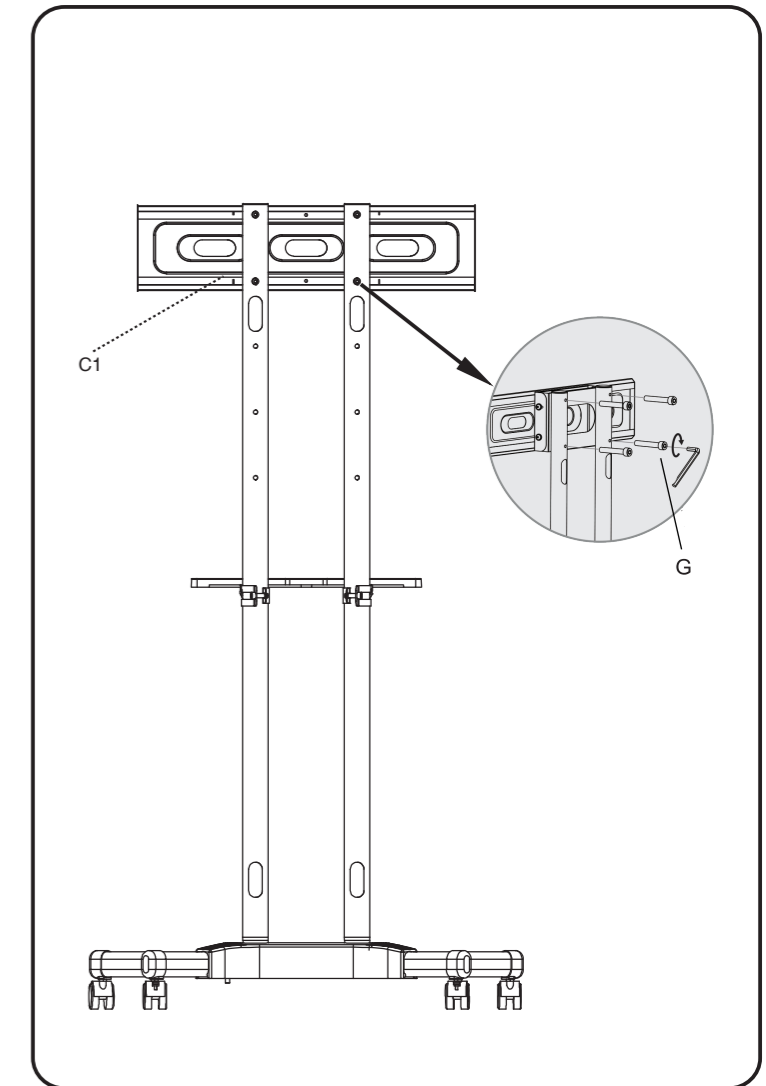
3. Height adjustment



4. AV shelf assembly and installation



5. Installation of interface



6. Selection of TV mounting patterns

VESA : 200x200~600x400mm

7.87"(200mm) 11.8"(300mm) 15.7"(400mm) 23.6"(600mm)

H1 F E (A,B,C)+E+F/A+E/D+F

M4x25mm(A)
M5x25mm(B)
M6x25mm(C)
M8x25mm(D)

Safety advise

Note:
To avoid damage plastic spacer must be used when depth of mounting holes is minimal.

8. Cables and wires installation

Note:
Be caution when routing wires to avoid damage.

Step 1

Step 2

L1

9. Product specifications

24.0"(610mm)

15.8"(402mm)

360° 360°

7. Mounting TV on pole interface

Step 1

Warning:
Need 2 persons to hook on TV to avoid accident.

Step 2

Note:
Moves TV to center.

Step 3

Caution:
Ensure screws are secured firmly.

K M

48.7"~59.0"(1236~1500mm)

12.6"(320mm)

11.8"~27.5"(300~700mm)

25.5"(648mm)

17.9"(456mm)

33.6"(853mm)