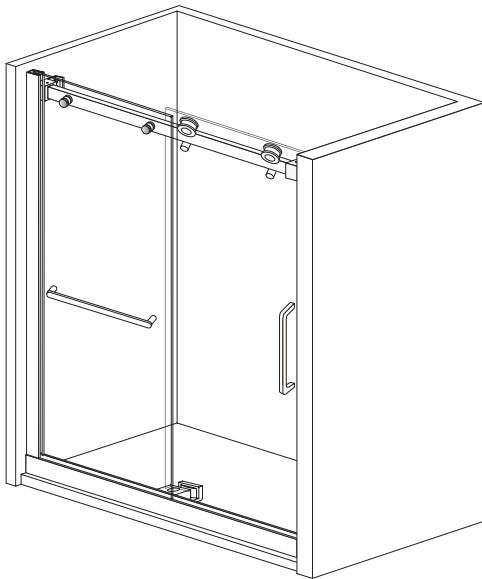


Assembly Instruction

(The instruction is only for installation schematic, subject to the actual products)

**Available with 60"x75"H, 48"x74"H, 60"x60"H
AP03 Single Sliding Shower door**

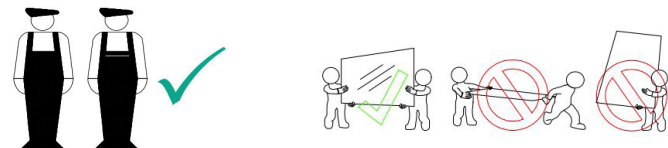


SAFETY INFORMATION CAUTION:

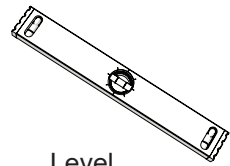
Please carefully read the following important safety information before handling or installing this shower door. There are risks of serious injury while handling this product. To minimize these risks. Please note:

- * Always wear safety glasses and gloves while handling.
- * Always follow the installation instructions.
- * Do NOT cut or modify the tempered glass as it will shatter if cut.
- * Inspect glass for damage before installation.
- * Make sure to have a gaskets(we offered) in either side of the glass door, to make sure the metal is not touching the tempered glass.
- * Extreme caution should be taken while handling the glass during installation as the tempered glass may shatter if in contact with a hard surface.
- * Carefully remove product from packaging and keep packaging until installations complete.
- * Inspect all parts for damage or missing; if there is any damage or part missing to the unit prior to installation, please contact customer service.
- * Cover the drain with tape to prevent the loss of small parts. The shower base and finished walls should be installed before beginning the shower door installation.
- * During the installation, protect the shower floor with a drop cloth to avoid damage.
- * This product should be installed by two people who are familiar with construction requirements. Professional installation is recommended.

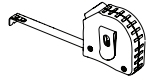
NOTE: Two professional people should perform this installation.



Suggest to keep this installation for future reference.



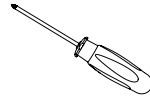
Level



Tape Measure



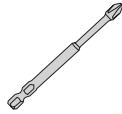
Pencil



Phillips Screwdriver



Screw Gun or Impact Driver



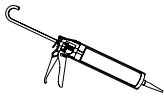
Extended #2 Driver Bit



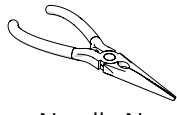
Drill



Safety Glasses



Caulk gun with clear, mold-resistant Silicone



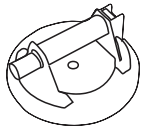
Needle Nose Pliers



Drill Bit (6mm)



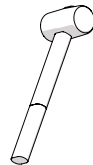
Drill Bit (8mm)



Professional-grade Glass suction cup



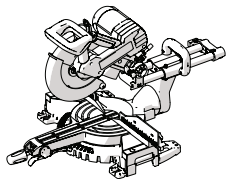
Crescent Wrench



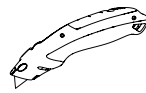
Rubber Mallet



Metal File



Compound Miter Saw with Blade for Cutting Metal



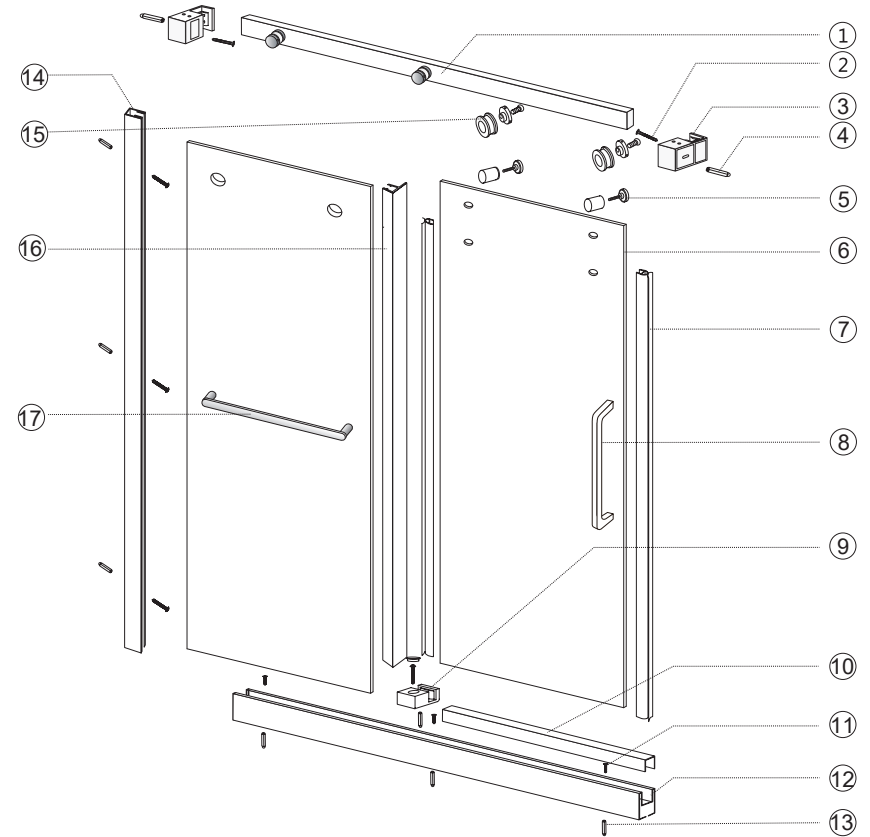
Razor Knife



Work Gloves

Tools

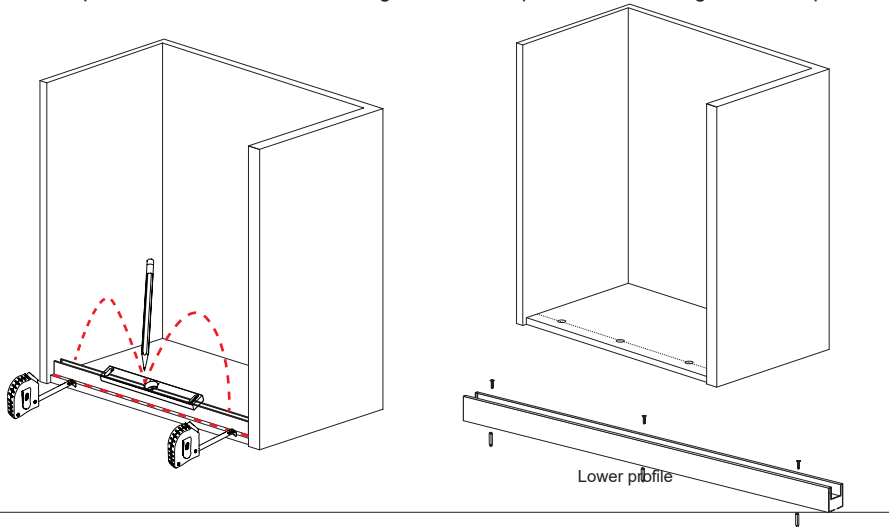
Parts breakdown



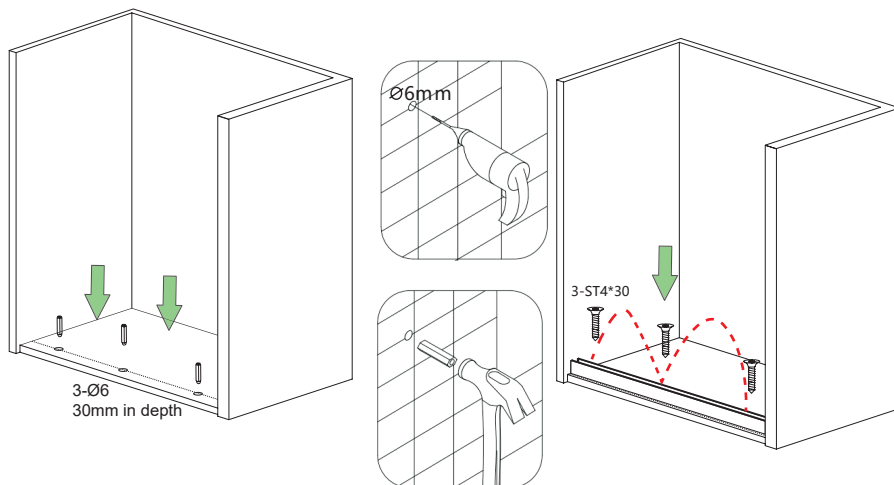
NO.	Name	Picture	Qty	NO.	Name	Picture	Qty	NO.	Name	Picture	Qty
1	Top rail		1	7	Water Block Vinyl		2	13	∅6 Wall anchor		7
2	ST5X50		2	8	Handle		1	14	Edge profile		1
3	Fixed sleeve		2	9	Lower slider		1	15	Roller		2
4	∅8 Wall anchor		2	10	Decorative cover profile		1	16	F Shape Water Block Vinyl		1
5	Off prevention device		2	11	ST4x30		7	17	L Handle		1
6	Glass door		2	12	Lower profile		1	18			

A Determine the total width of the shower door you want, cut the length of the **Lower profile** and **Decorative cover profile** and the **Top rail** on movable Glass door side according to the actual width, adjustable width 56-60" (for example: the standard is 60" wide, if you want 58", then directly cut off 2"). Same for 48" shower door products.

1. Determine the installation position. Place the **Lower profile** on the installation position. Keep it horizontal on the same straight line. Use a pencil to draw the ground hole position.

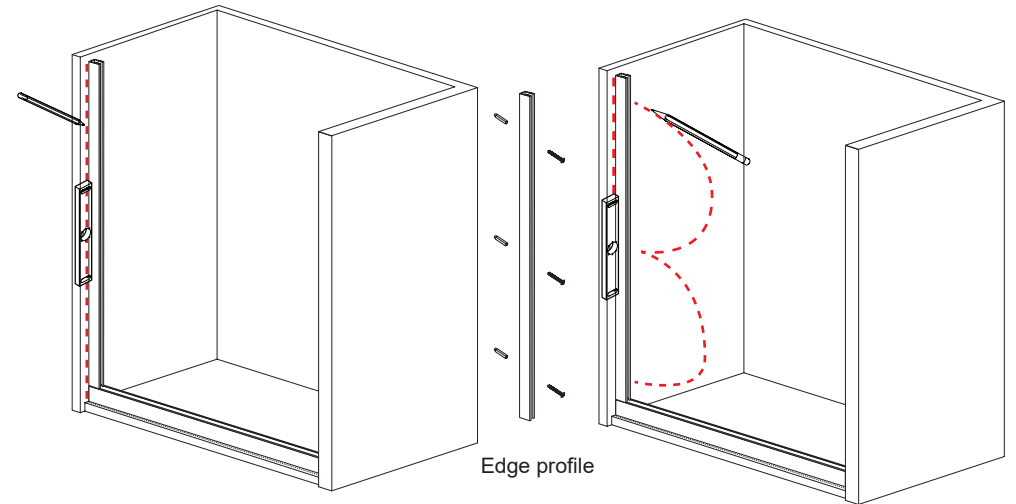


B 1. Drill holes on the ground and inject **6mm Wall anchor**.
2. Put the **Lower profile** back into the installation position and lock it with **ST4x30 screws**.

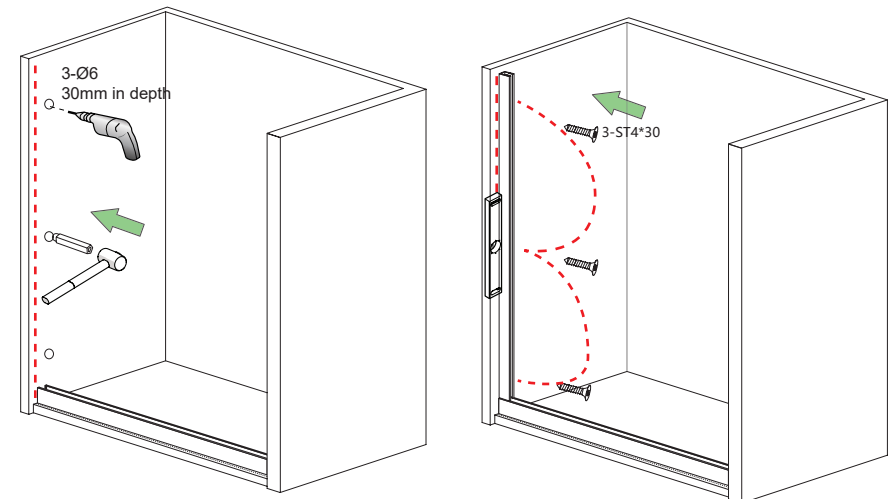


C Determine the left or right side for the fixed glass, install the **Edge profile** on that side you want. (Both sides can be installed)

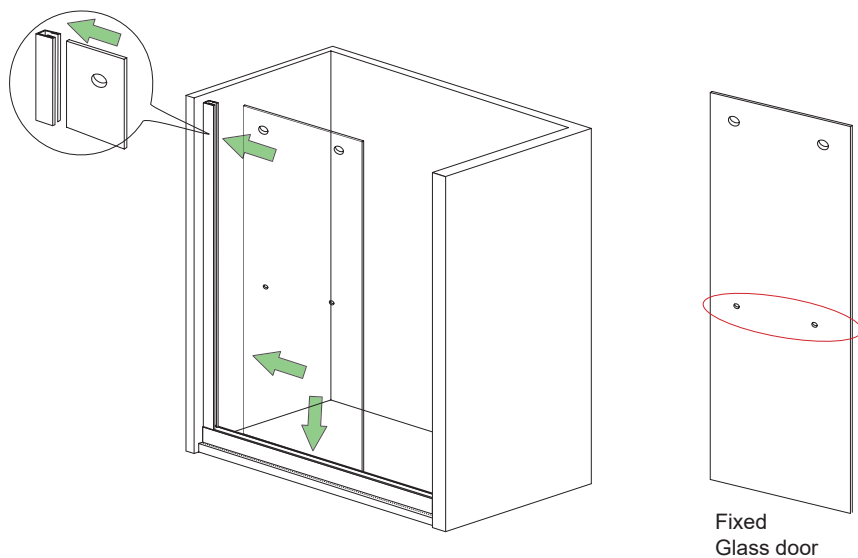
1. Place the **Edge profile** onto the installation position above the **Lower profile**. Keep it horizontal and vertical. Use a pencil to draw the hole position on the wall.
2. Remove the **Edge profile**.



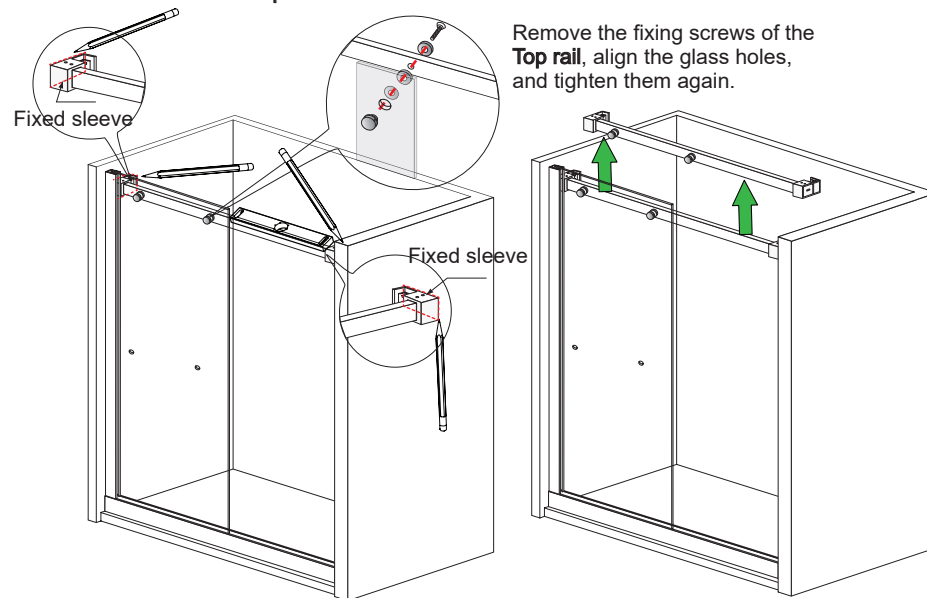
D 1. Drill holes on the wall and insert **6mm Wall anchor**.
2. Put the **Edge profile** back into the installation position and lock it with **ST4x30 screws**.



- E** 1. Insert the fixed **Glass door** into the **Edge profile**.
 The handle hole of the fixed Glass door is two horizontal distances away one.

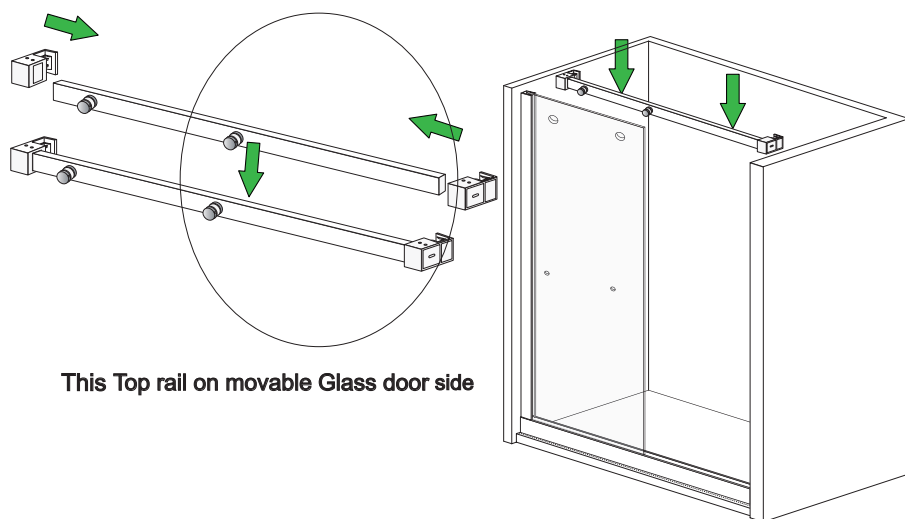


- G** 1. Place the **Top rail** inside the shower room, remove the two screws on the rail, align them with the glass holes, and tighten them.
 2. Keep the **Top rail** level and use a pencil to draw the fixed sleeve positions on both sides of the rail.
 3. Remove the **Top rail**.



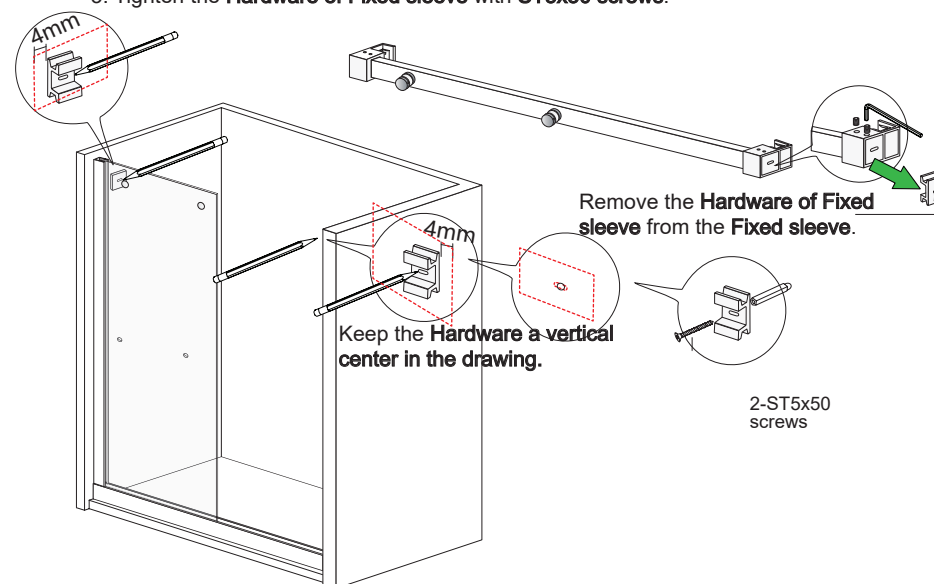
- F** This step is a temporary assembly. In order to locate the installation holes, pay attention to locking them tightly during assembly, but do not be too tight. During these processes, be careful not to lose or drop small accessories.

1. Assemble the **Top rail**.



This Top rail on movable Glass door side

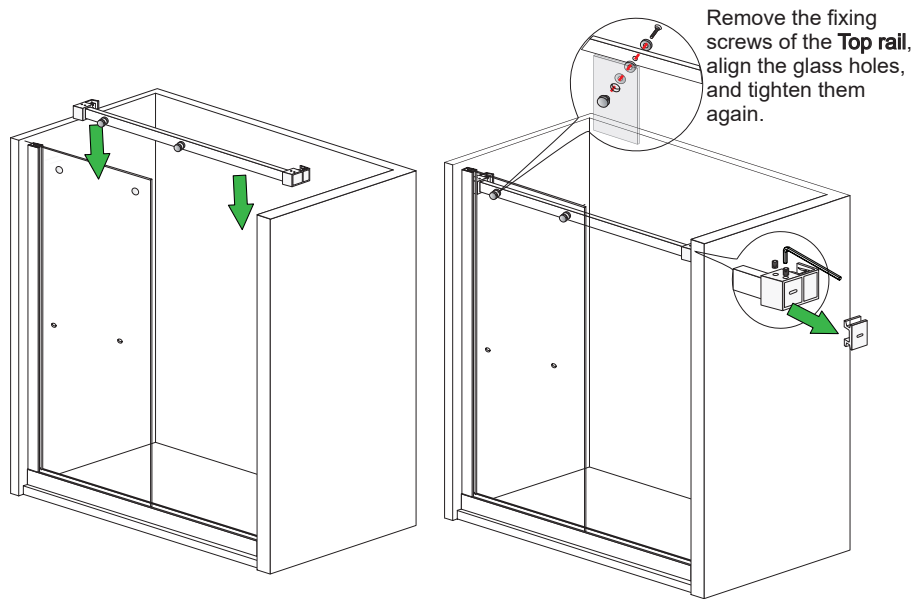
- H** 1. Place the **Fixed sleeve** within the drawn line.
 2. Repositioning and drawing lines on the **Fixed sleeve**, removing them, drilling holes, and injecting **8mm Wall anchor** into them.
 3. Tighten the **Hardware of Fixed sleeve** with **ST5x50 screws**.



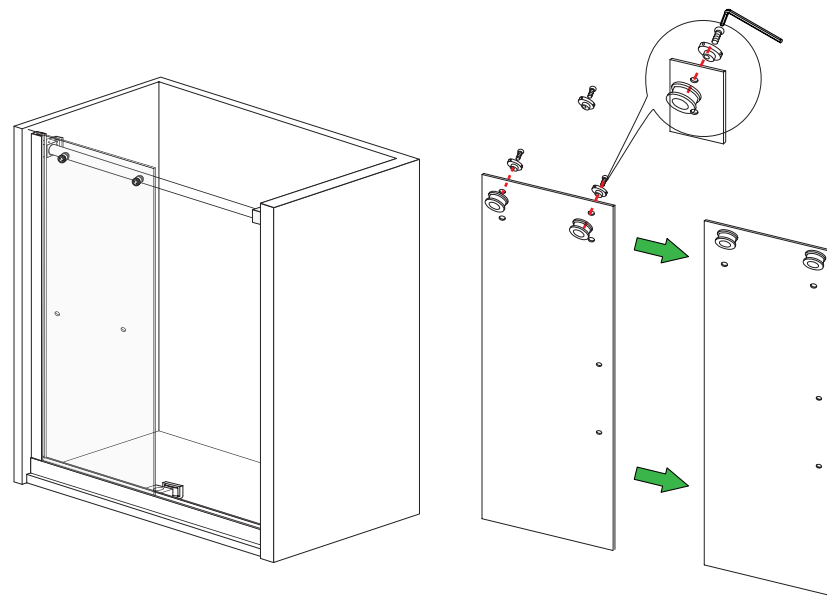
Keep the **Hardware** a **vertical center** in the drawing.

2-ST5x50 screws

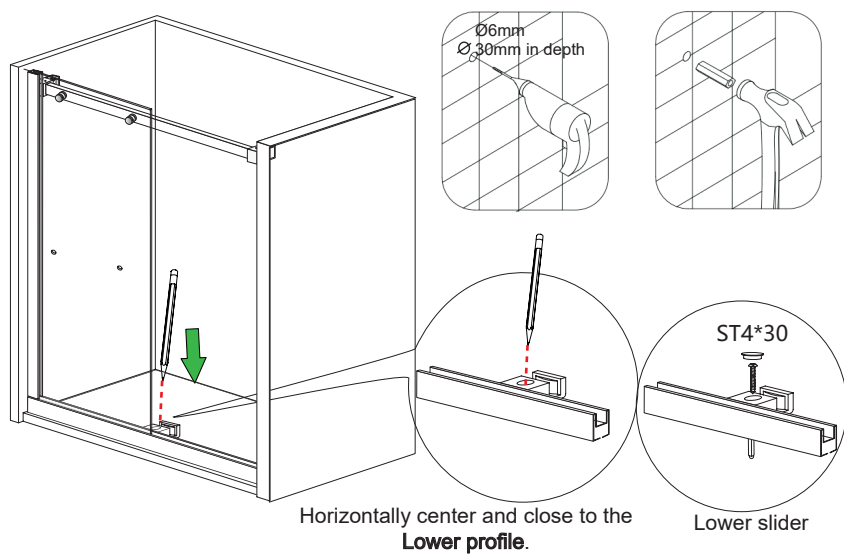
1. Place the **Top rail** inside the shower room, align the two screws on the rail with the glass holes and tighten them.
2. Tighten the screw lock on the **Fixed sleeve**.



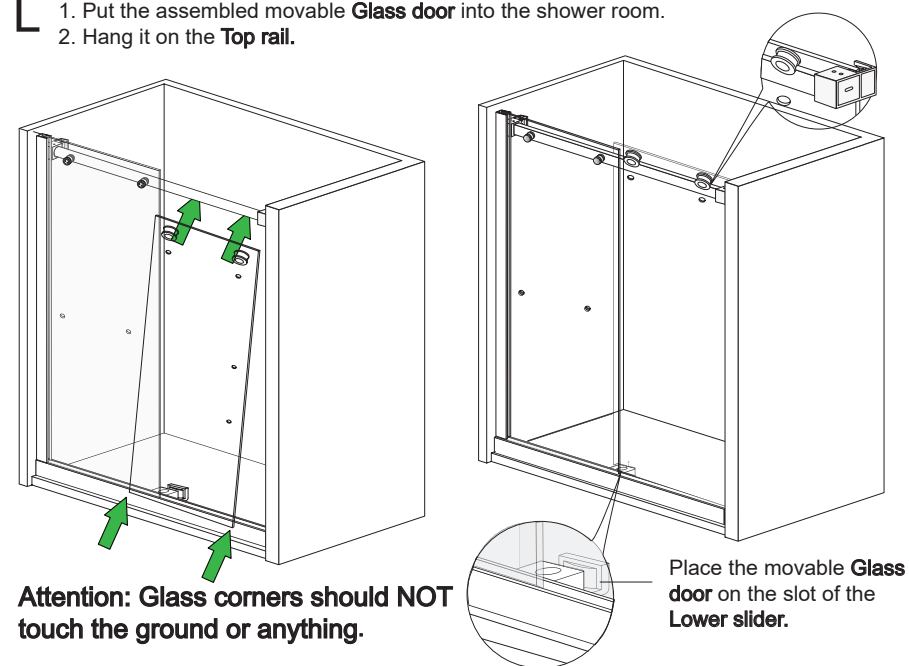
1. The **Roller** is installed on two holes above the movable **Glass door**.
2. When installing movable **Glass door**, pay attention to the position of the **Handle** hole.



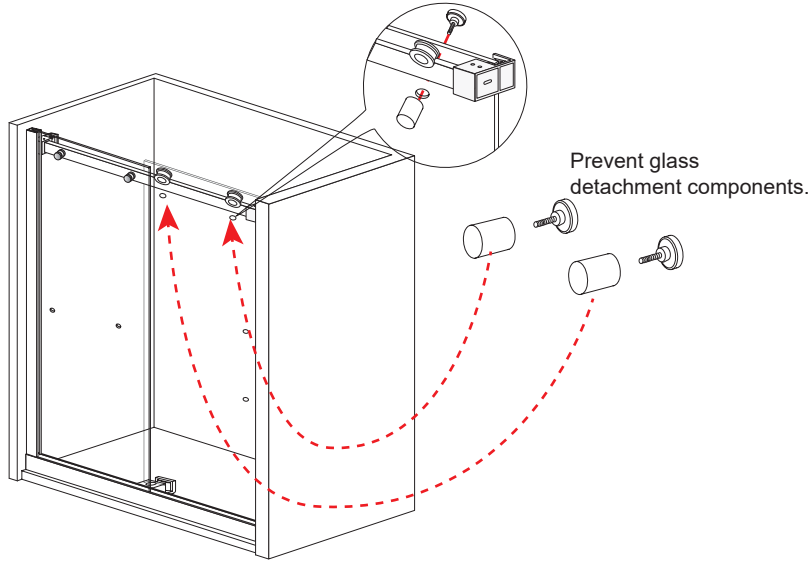
1. Place the **Lower slider** inside the **Lower profile**, placing it in horizontally center and close to the **Lower profile**, and draw the drilling position.
2. Drill holes on the floor and insert **6mm Wall anchor**.
3. Put the **Lower slider** back into the installation position and lock it with **ST4x30 screws**.



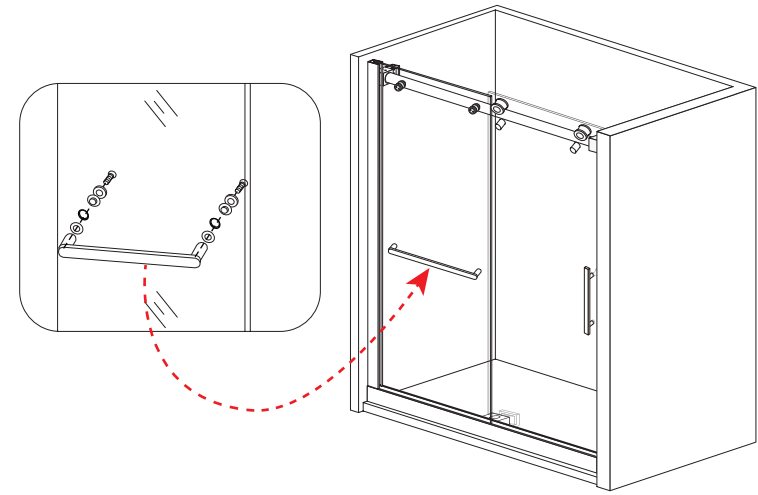
1. Put the assembled movable **Glass door** into the shower room.
2. Hang it on the **Top rail**.



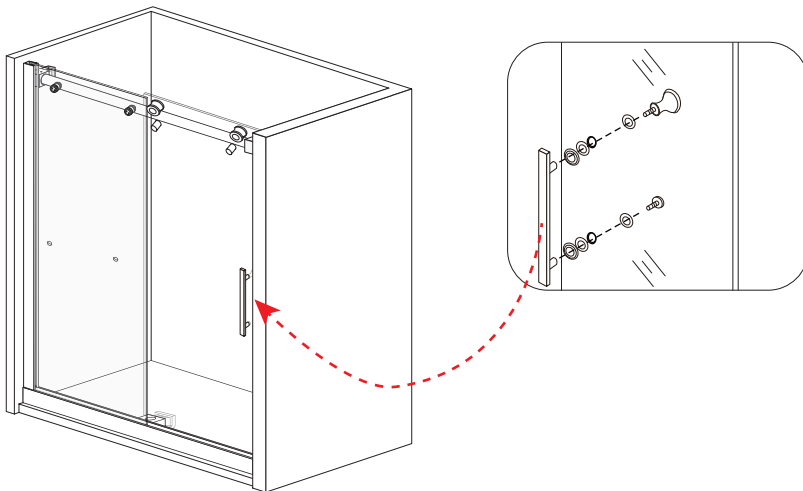
- M** 1. Install 2 **Off prevention devices** on the movable **Glass door** that prevent glass detachment components.



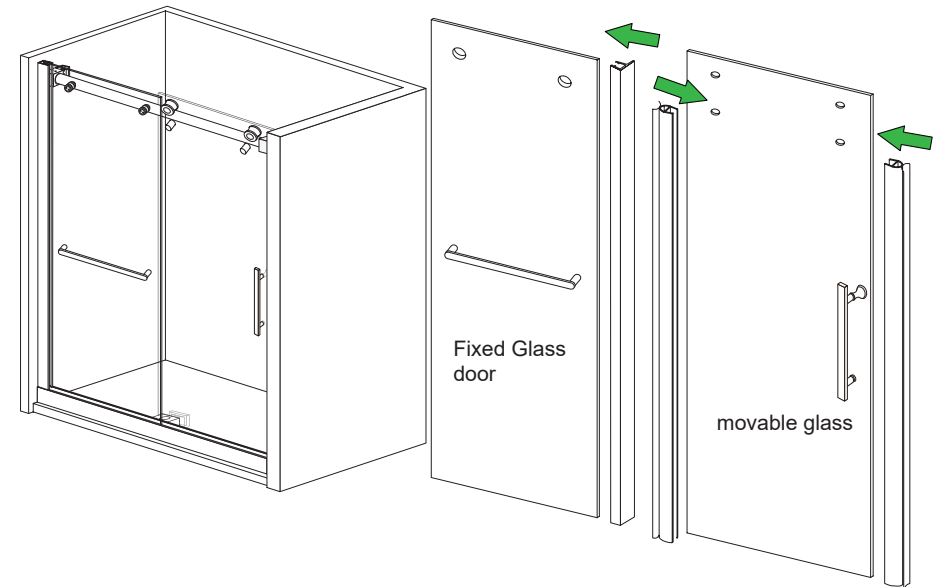
- O** 1. Install the **L Handle** properly.



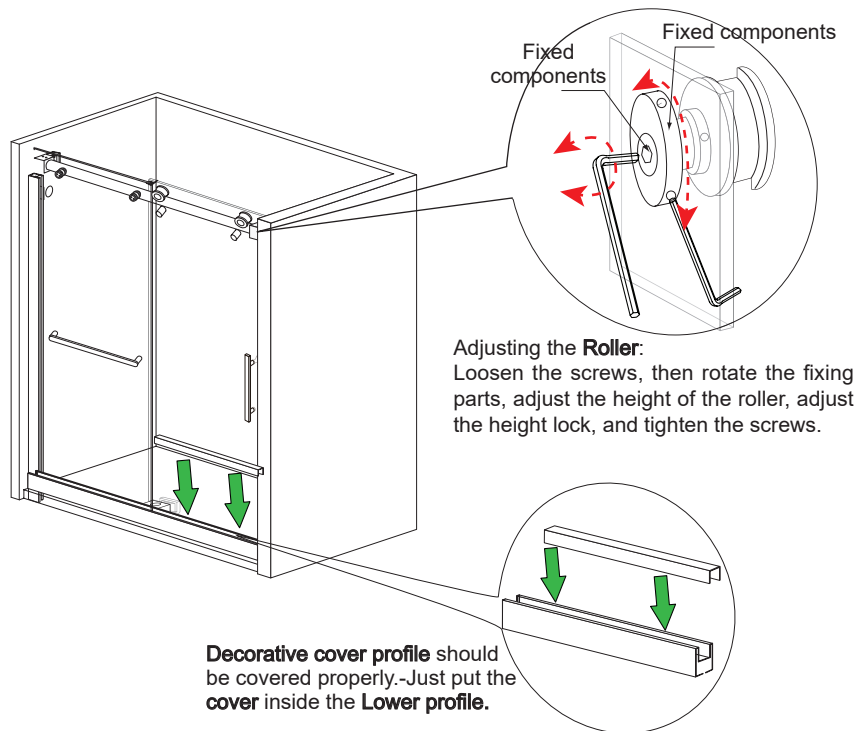
- N** 1. Install the **Handle** properly.



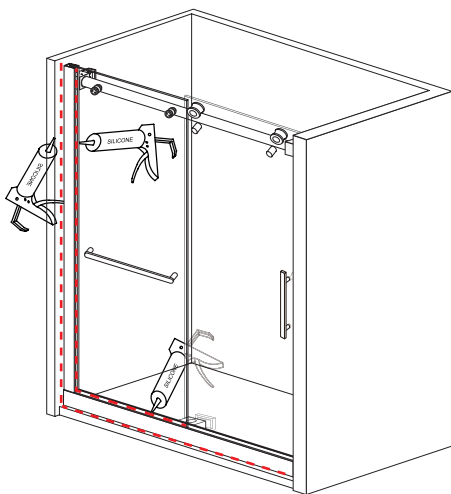
- P** 1. Install the **F Shape water block vinyl** on the edge of fixed **Glass door**.
2. Install the **Water block vinyls** on the movable **Glass door**.



Q



R



Please allow 24 hours for the silicone to fully cure before using the shower.

Usage and Maintenance

I. How to use and maintain the pulley of shower room

1. Avoid colliding the shower room active door energetically, to avoid activity door falling off; When the pulley does not turn or activity door does not move, the pulley needs replacing, it can't be energetically pushed or pulled, so as not to crush the glass loss.

2. Regularly clean slippery course, pulley of the shower room, fill lubricant (lubricating oil and lubricating wax);

3. When active door of the shower room is closed, there is seam above or below:

4. Check whether verticality deviation occurs, if any, install and adjustment.

II. The maintenance of toughened glass of shower room

1. Don't use sharp blow or hit shower room glass surface, so as to avoid breakage;

2. Do not use corrosive liquid such as banana oil to wipe the glass shower room surface, so as not to damage the surface luster;

3. Don't use coarse material to wipe the glass surface of the shower room to avoid scratch.

4. The glass is cleaned with cotton cloth or soft cloth after being wetted.

III. The maintenance of the aluminum alloy frame of the shower room

Oxidation coloring products, (silver, silver, brushed silver surface coloring class): This kind of products is not easy to fade compared to electrostatic coating products, but the surface can neither be wiped with coarse material, the surface can't be depicted with sharp object. If the shower room aluminum surface besmirch, please use neutral detergent dissolved in water before cleaning.

IV. The maintenance of the hardware fittings

1. The cleaning of furniture hardware fittings, wet cloth is used to wipe or the wet cloth is dipped into neutral detergent or cleaner processing, finally water stains are dried.

2. When the surface has serious besmirch or scratches, fireworks burn, a sandpaper (2000) can be used to grind the surface, with a microfiber cloth to wipe.

3. Don't use sharp and hard goods to scrape the surface of metal accessories, to avoid contacting with the materials such as hydrochloric acid, salt, bittern.

4. Keep clean, there are water stains on the surface during use, wipe dry after use, keep the surface dry and cleaning regularly.

**We sincerely wish you a wonderful experience !
Thank you!**