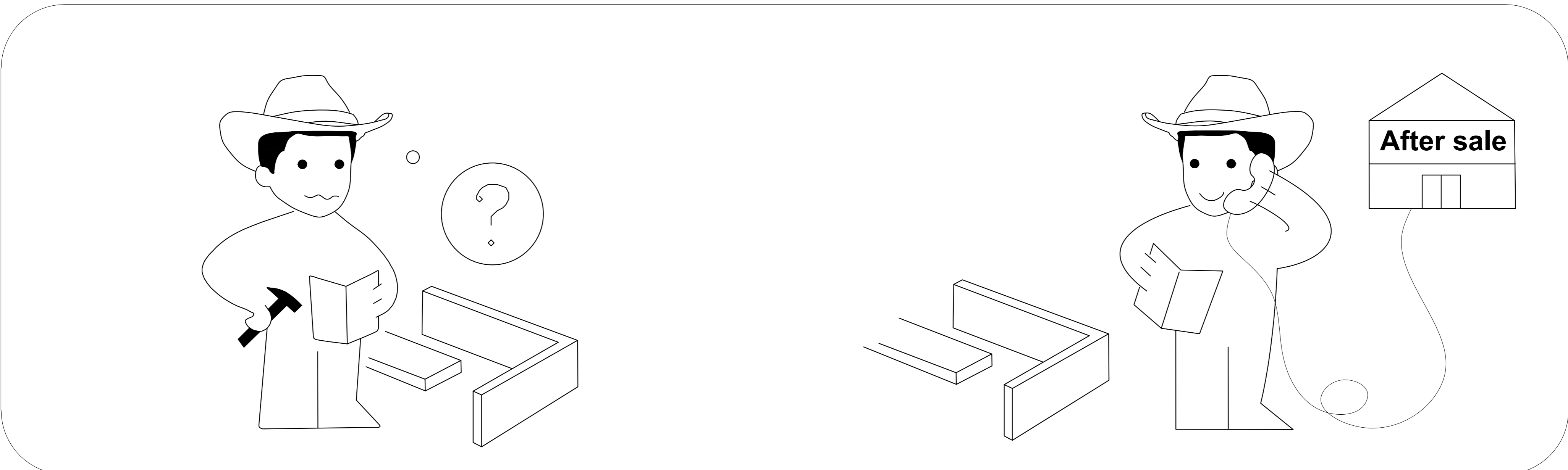
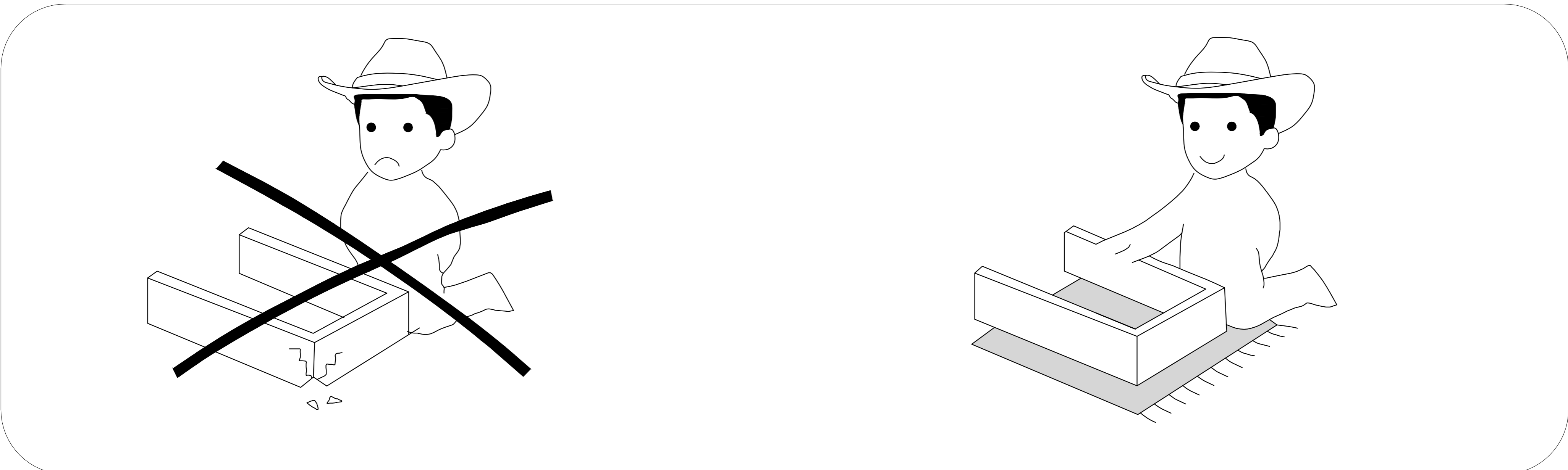
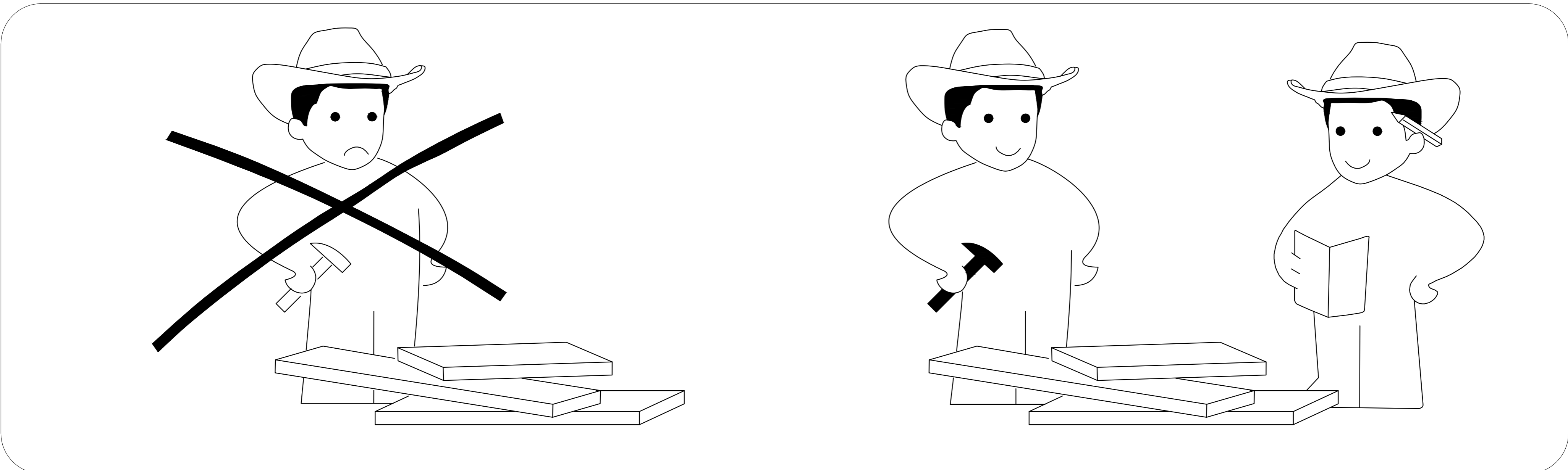
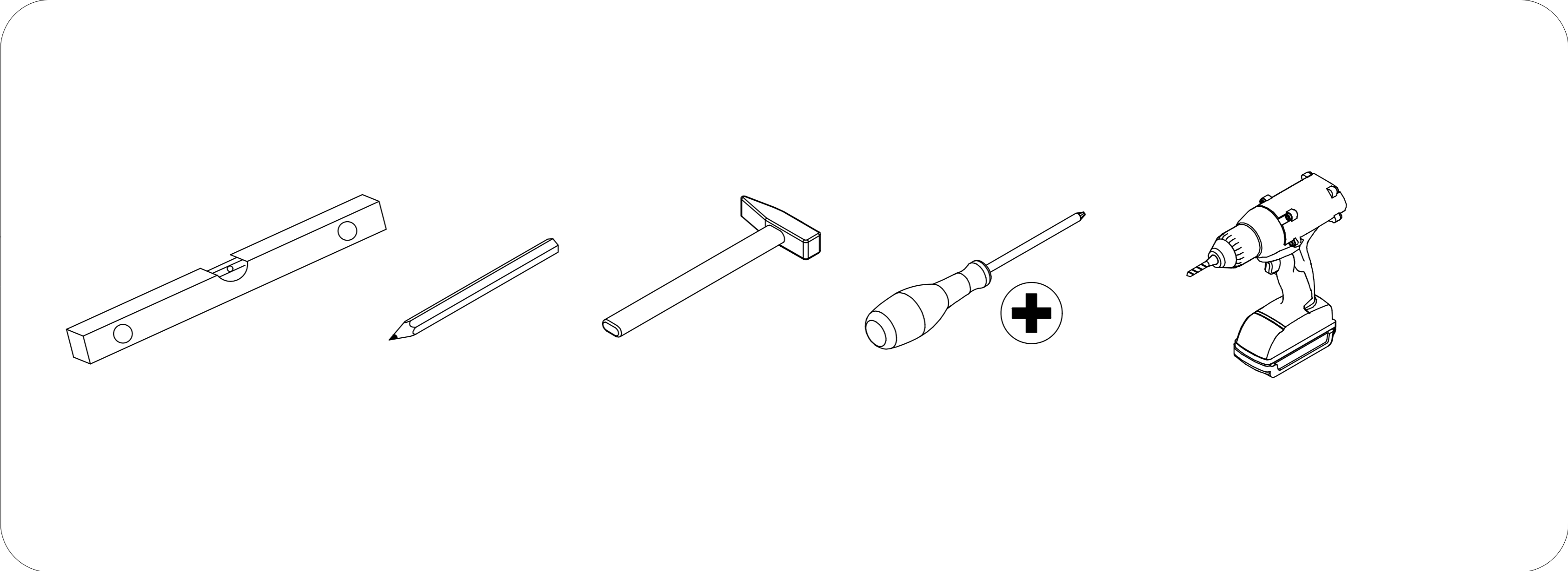
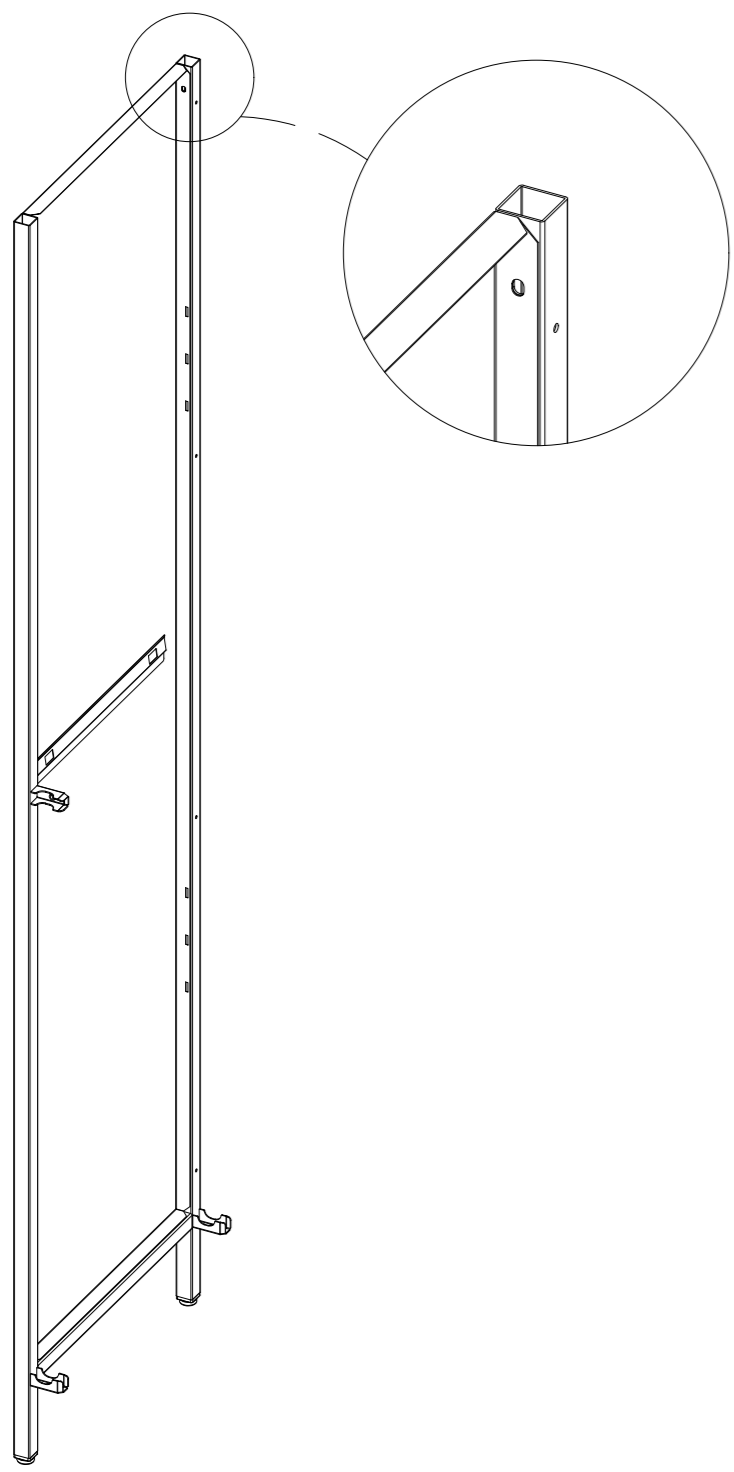




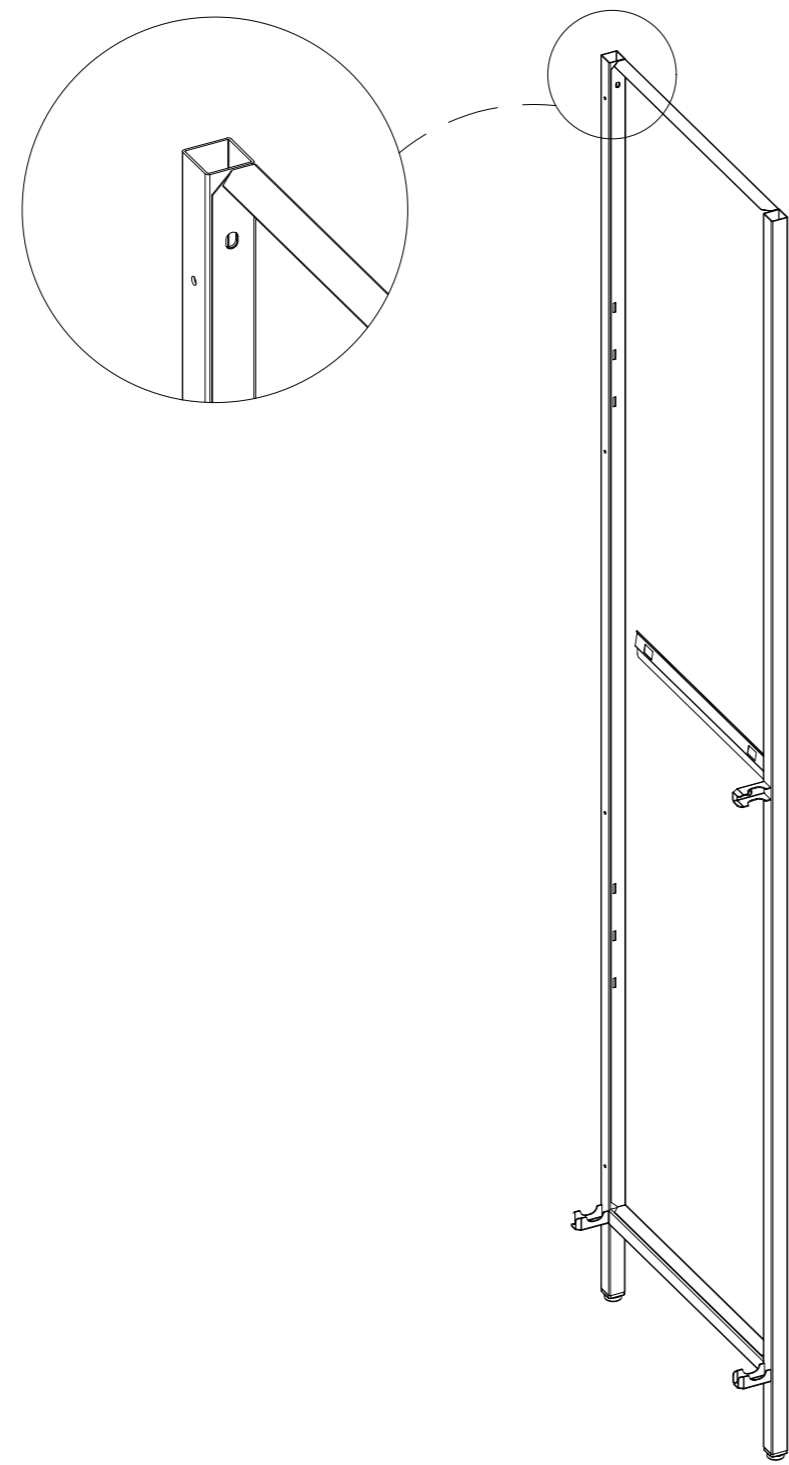
Installation video



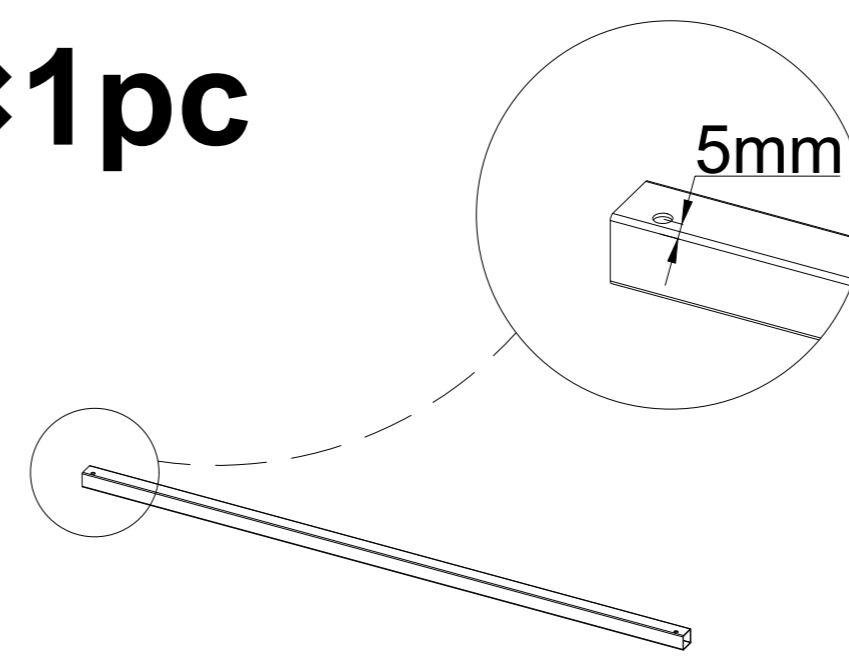
1×1pc



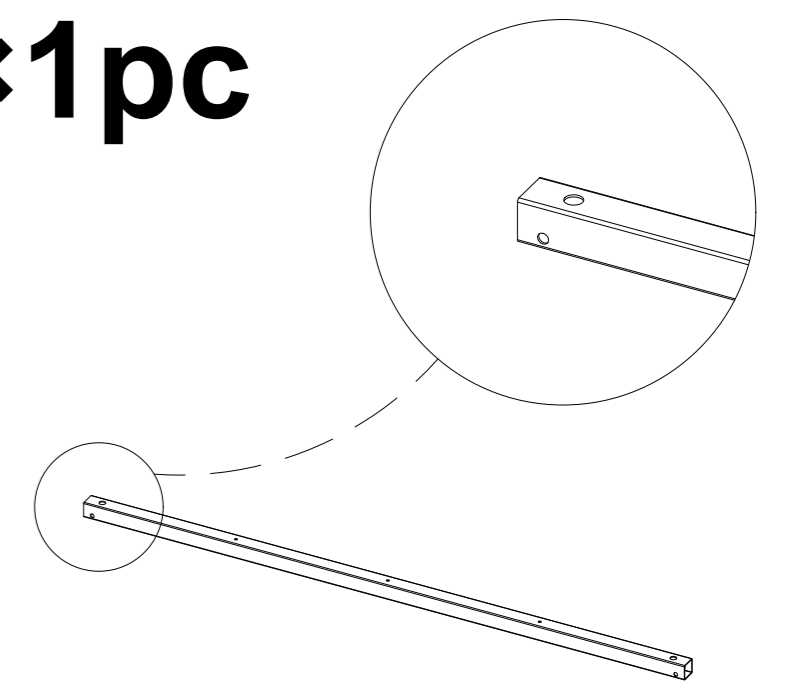
2×1pc



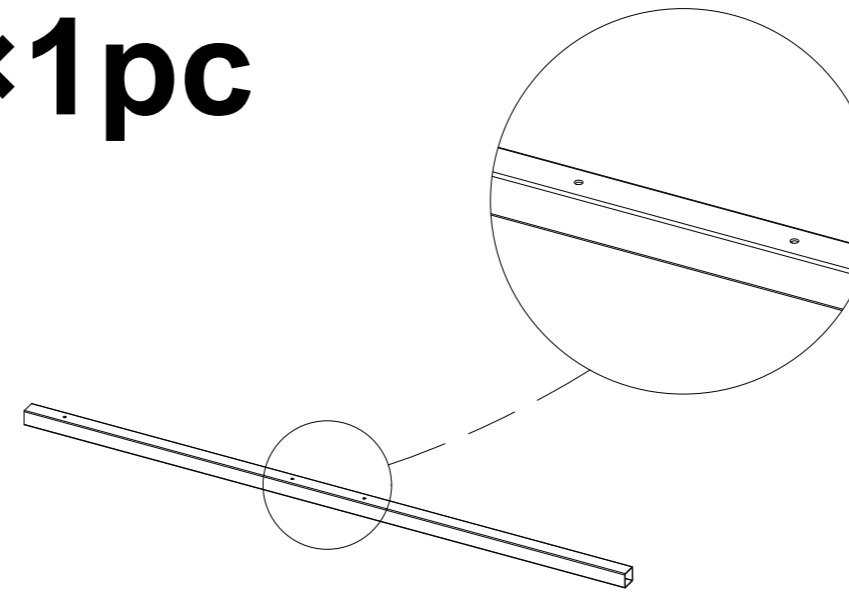
3×1pc



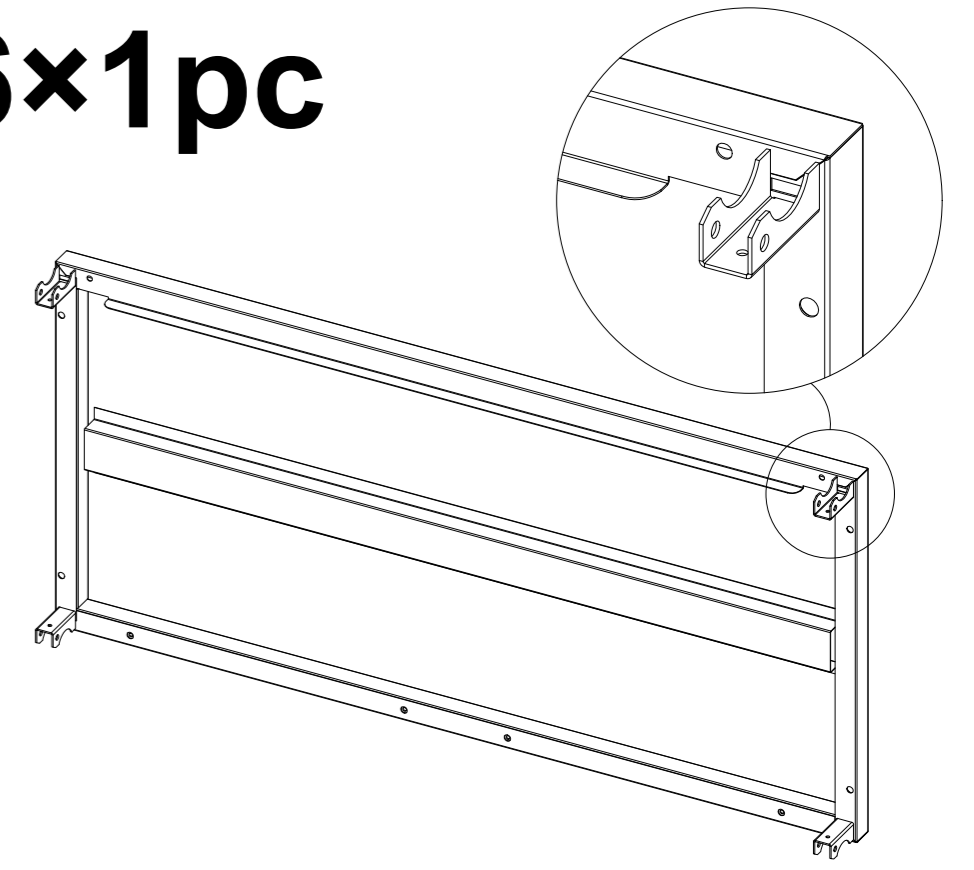
5×1pc



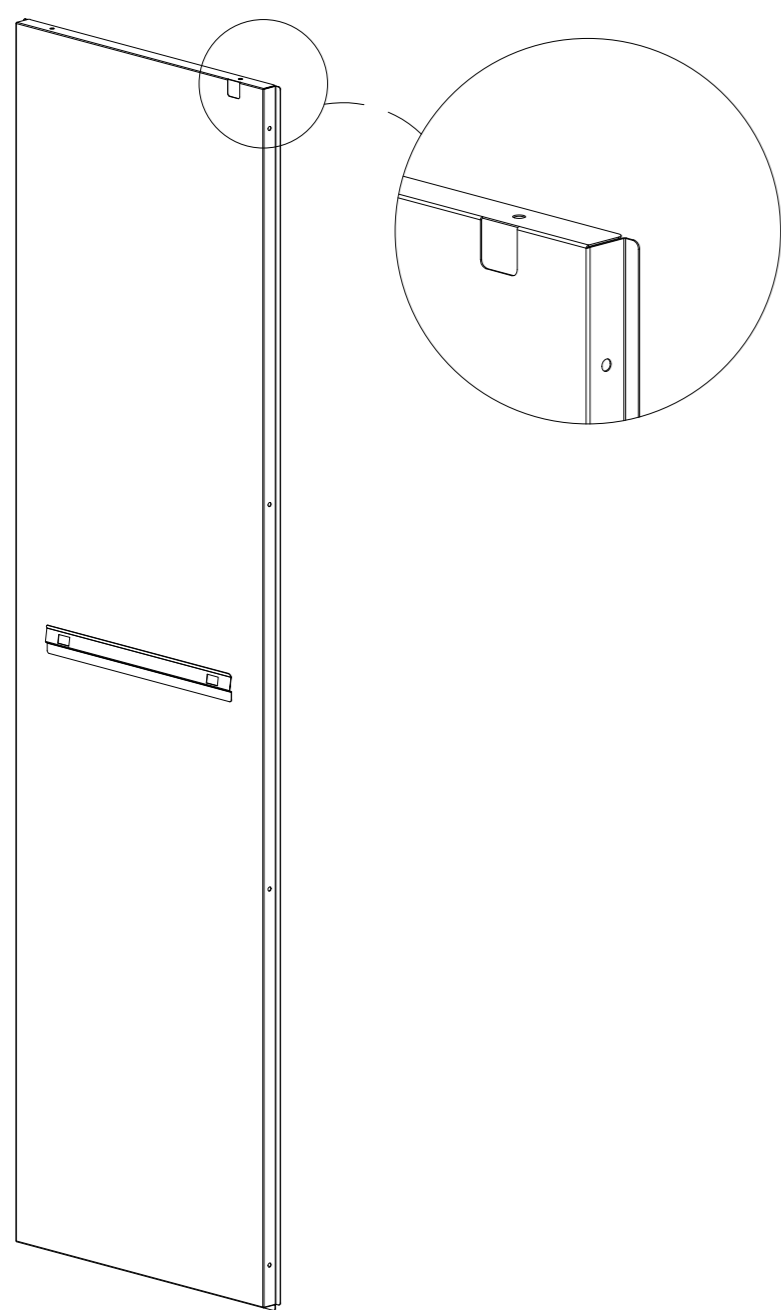
4×1pc



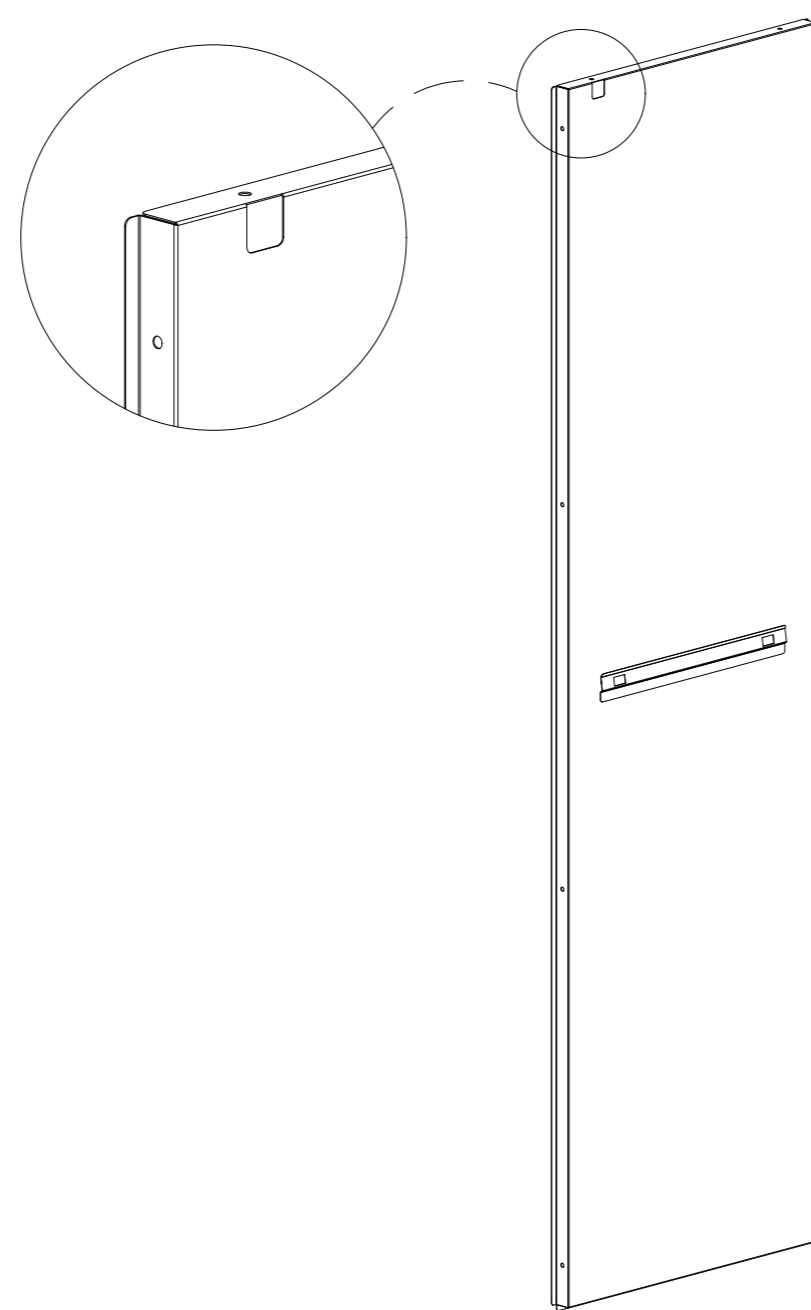
6×1pc



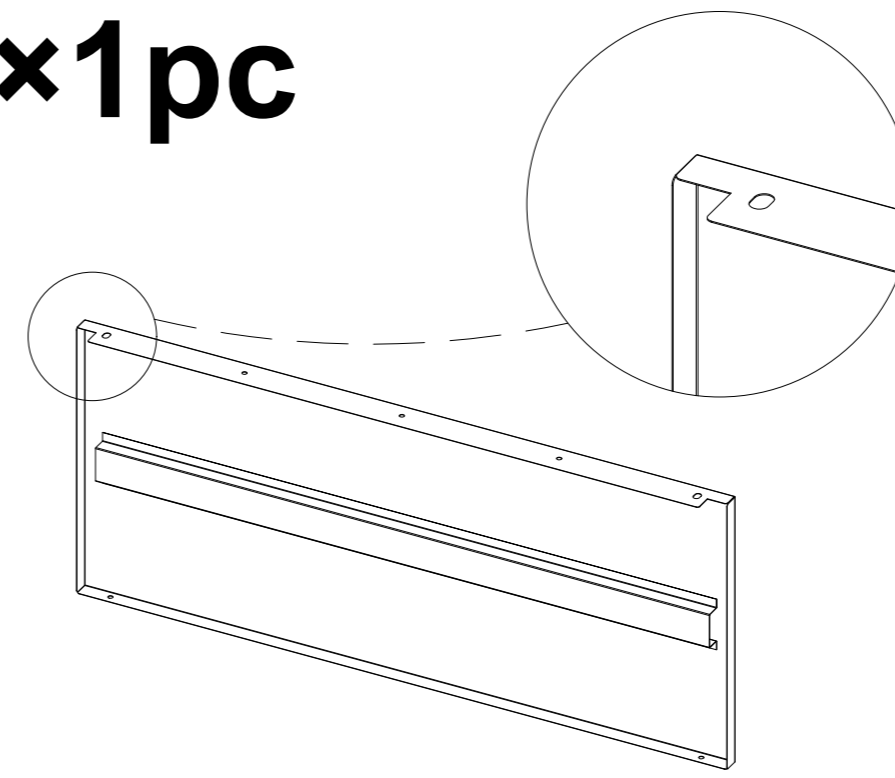
7×1pc



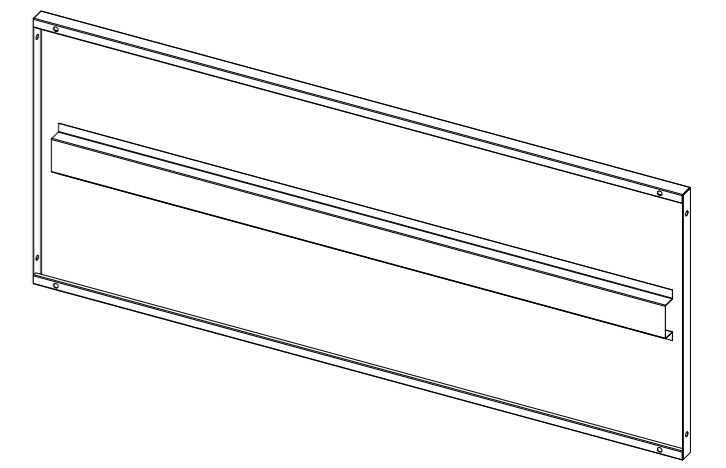
8×1pc



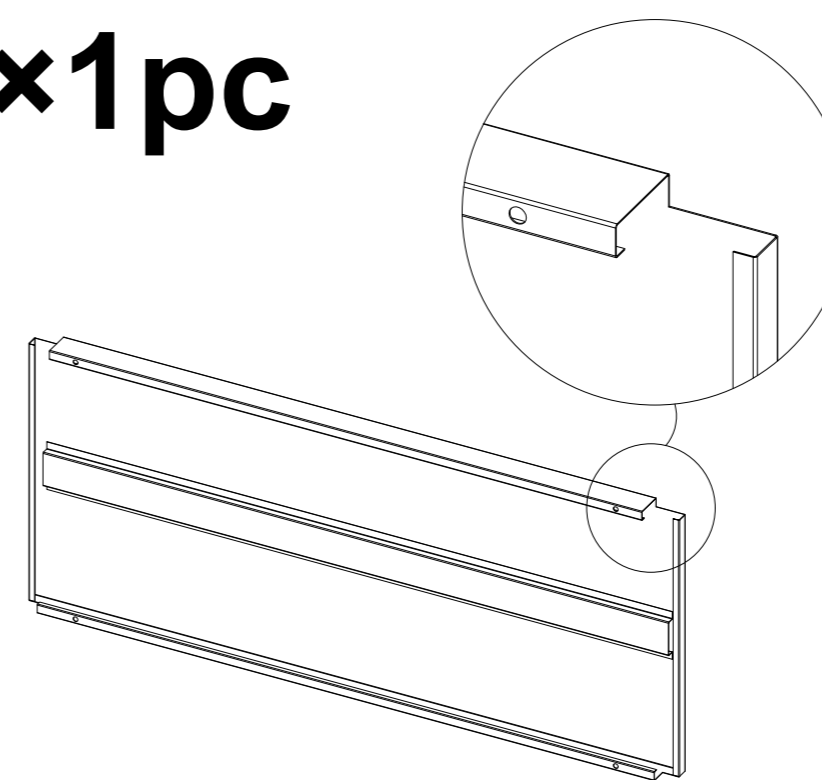
9×1pc



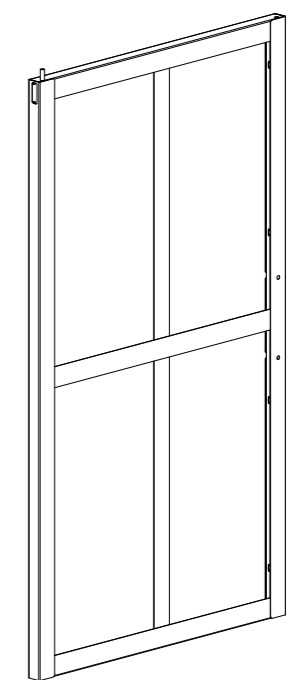
11×2pcs



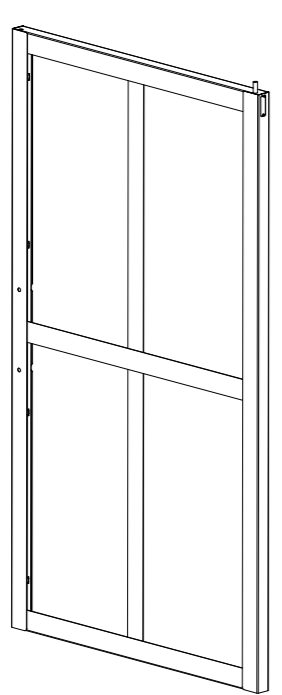
10×1pc



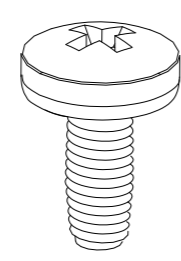
12×2pcs



13×2pcs

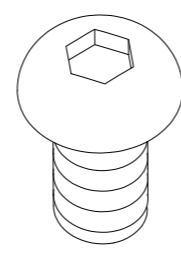


A×39pcs



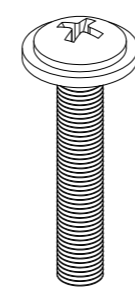
M4×8 mm

B×6pcs



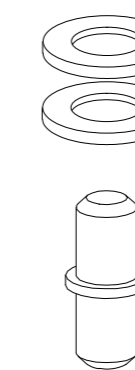
M6×10 mm

C×8pcs



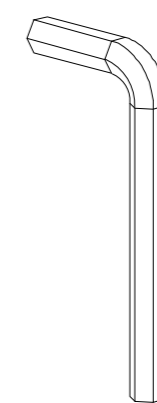
M4×22 mm

D×4pcs



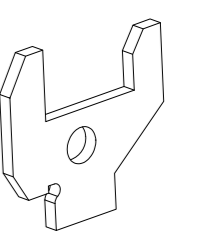
Ø4.8×22 mm

E×1pc

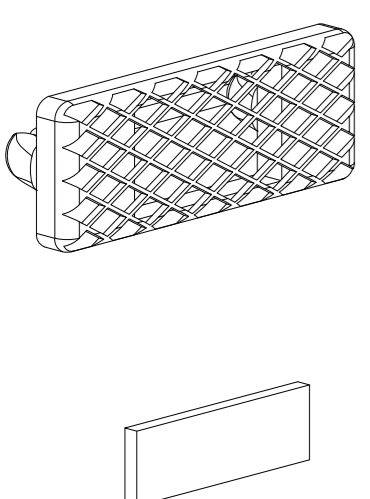


4 mm

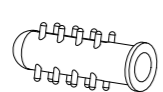
F×8pcs



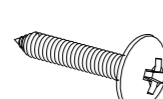
G×8pcs



H×2pcs

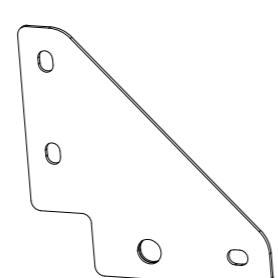


M8

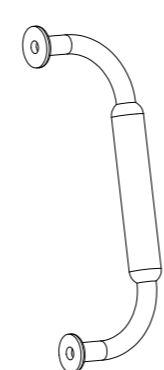


M5×40 mm

I×4pcs

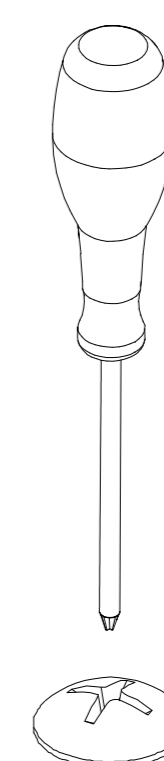
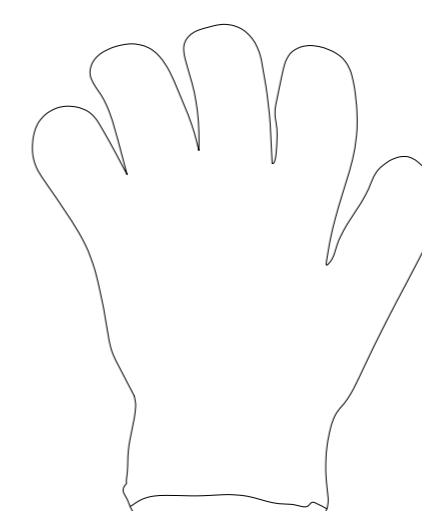
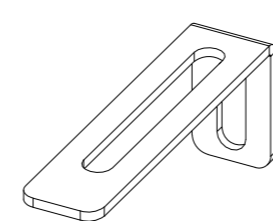


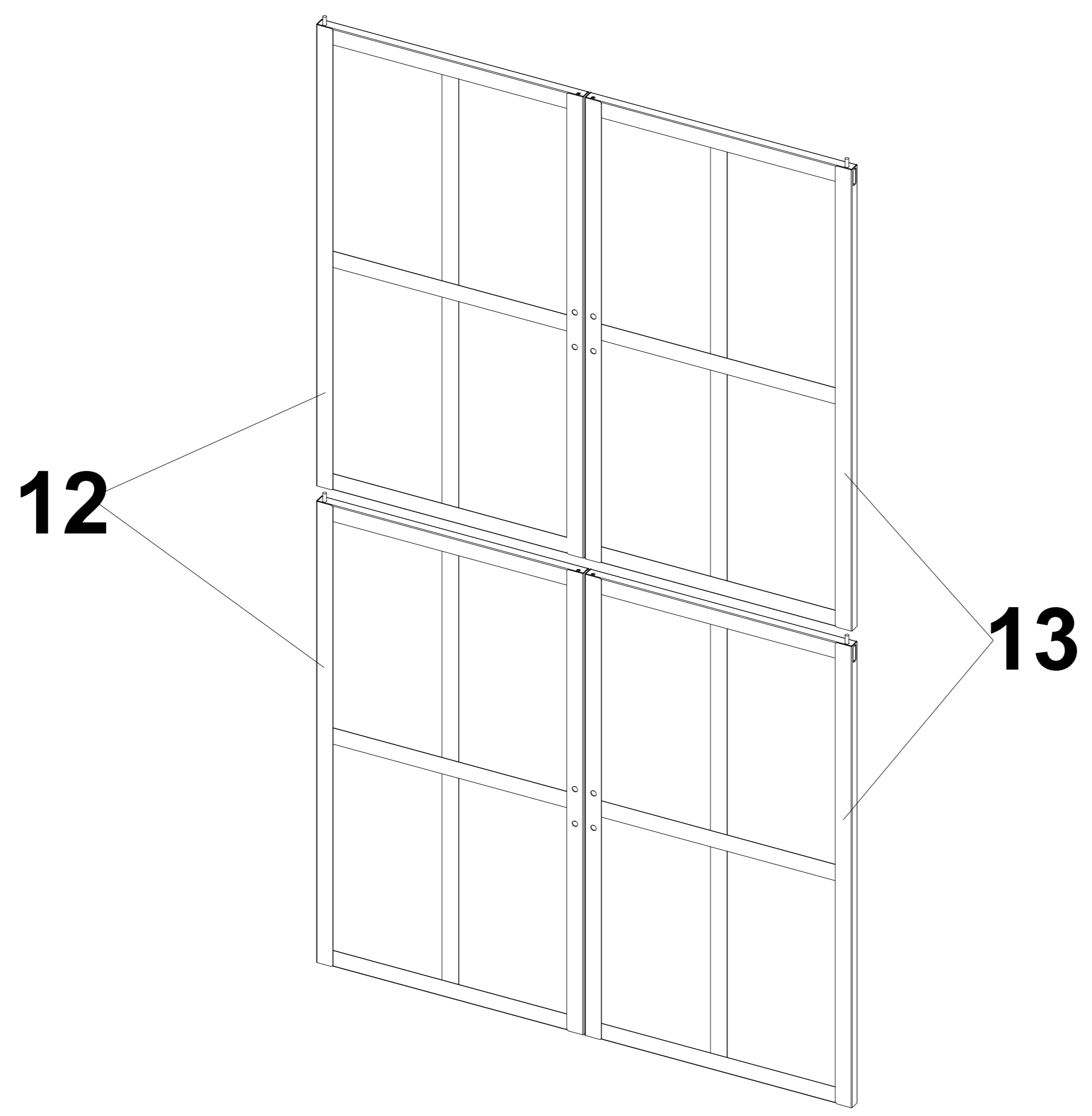
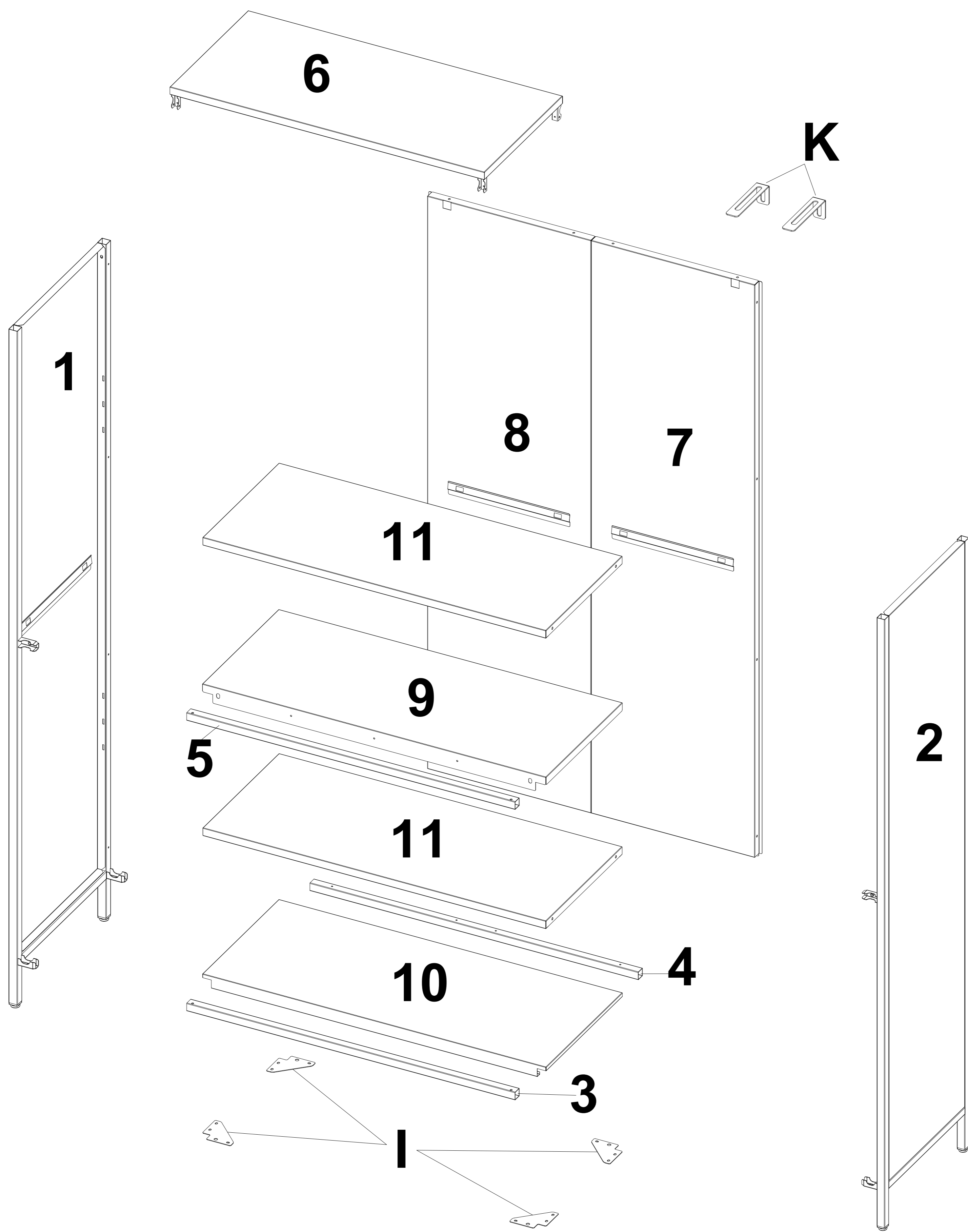
J×4pcs



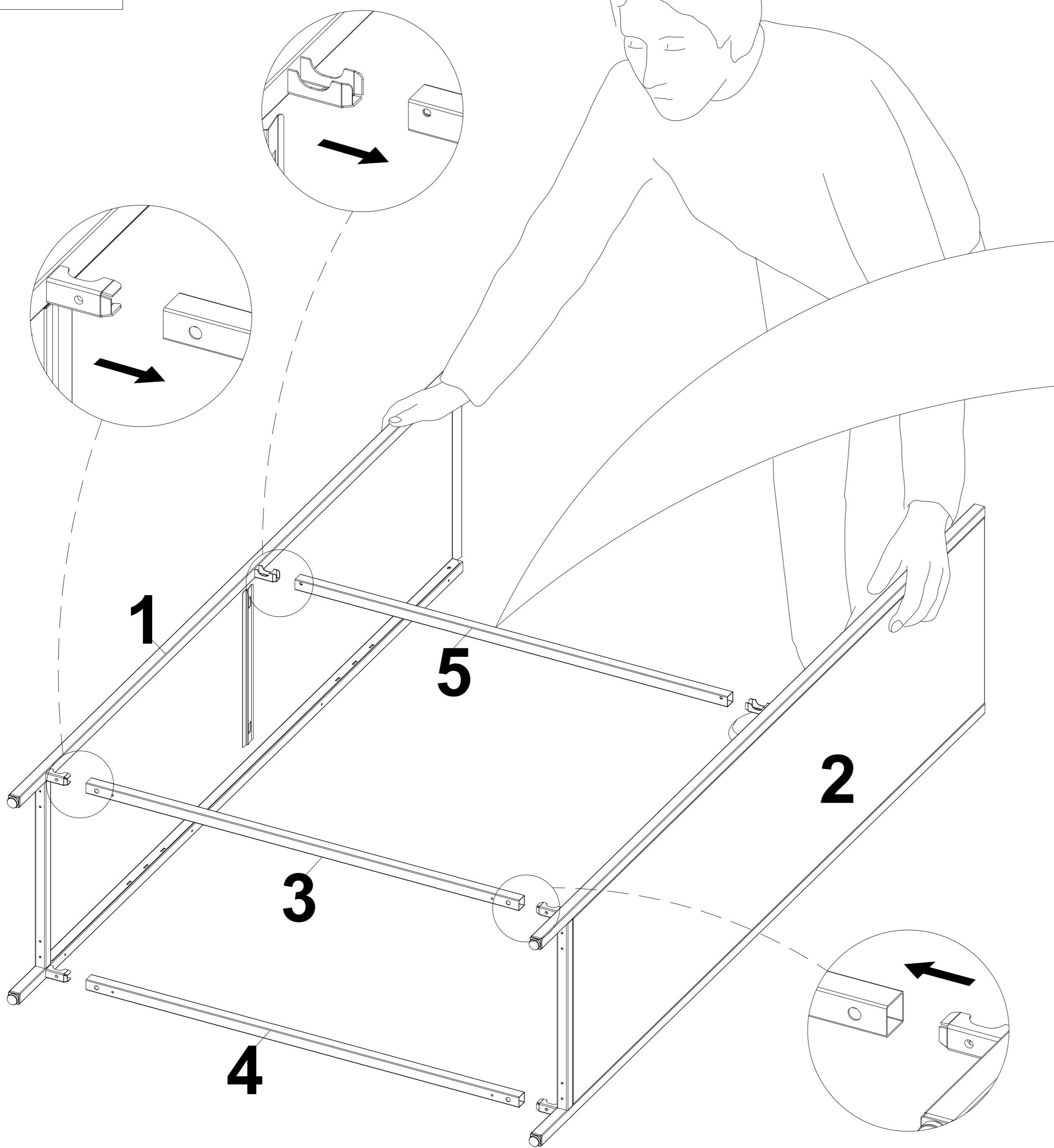
96 mm

K×2pcs

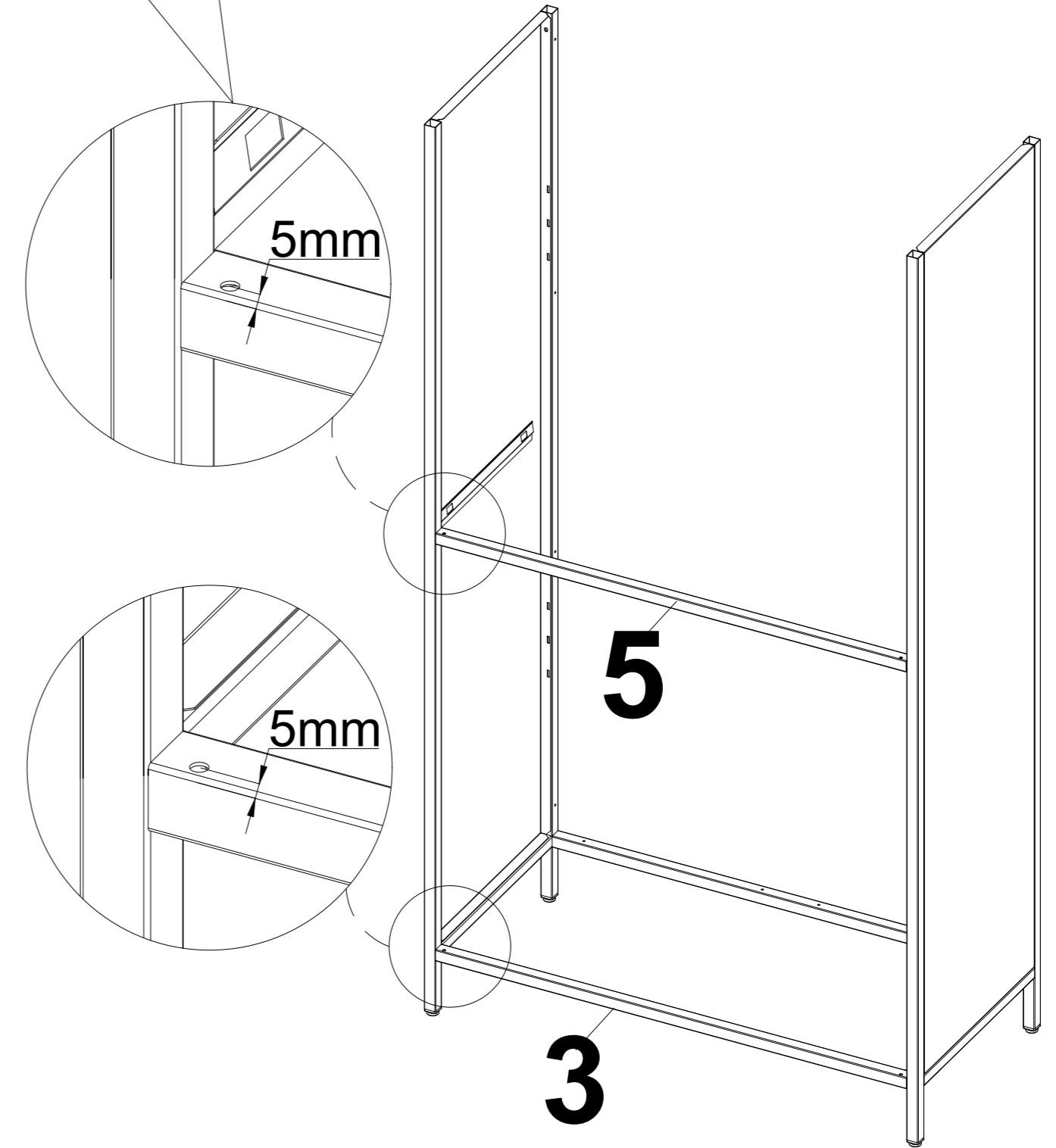




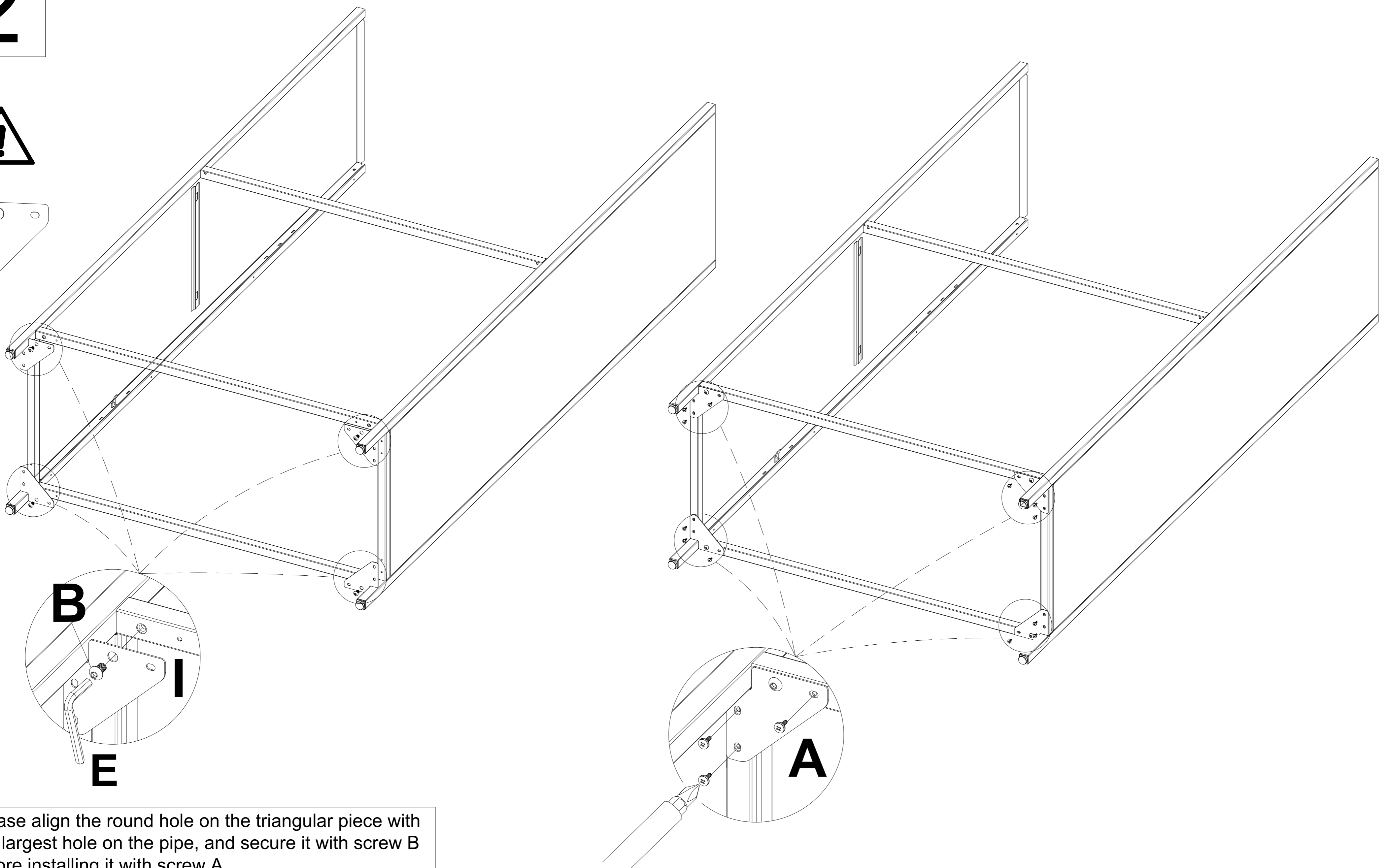
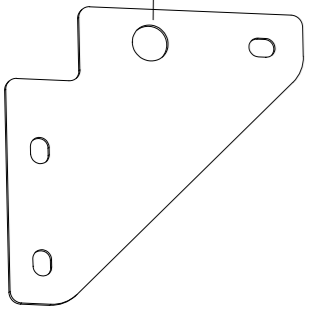
1



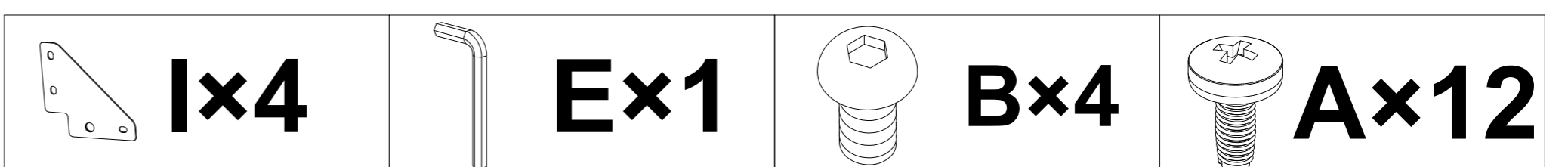
Please note that the hole is located on the outer side. When installing, distinguish the front and back directions of components 5 and 3, as well as the left and right directions.



2

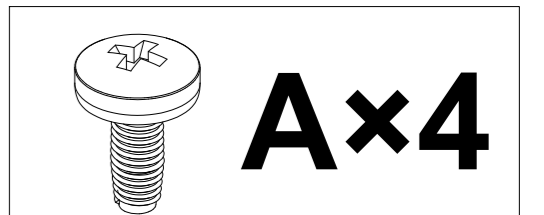
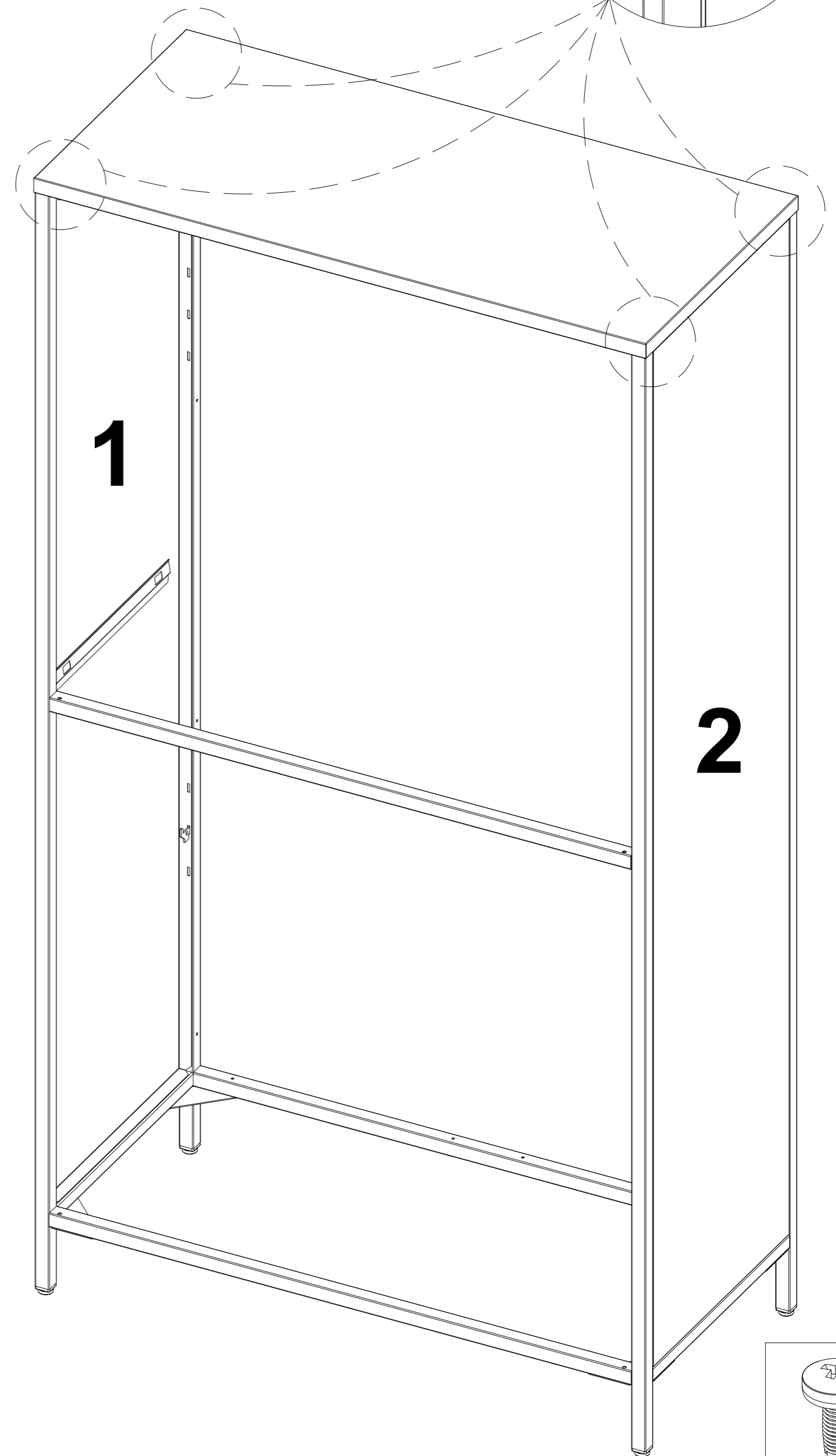
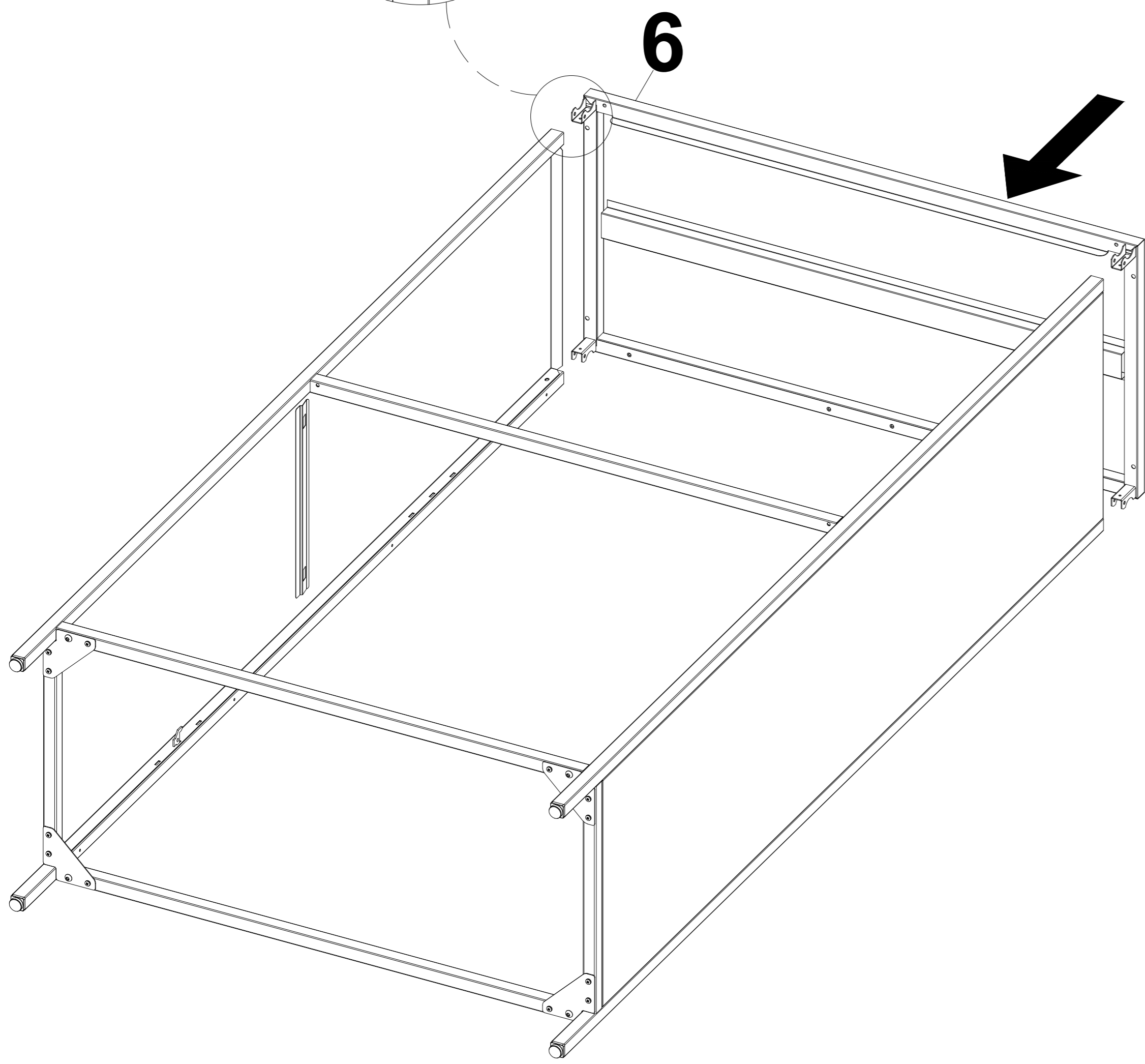
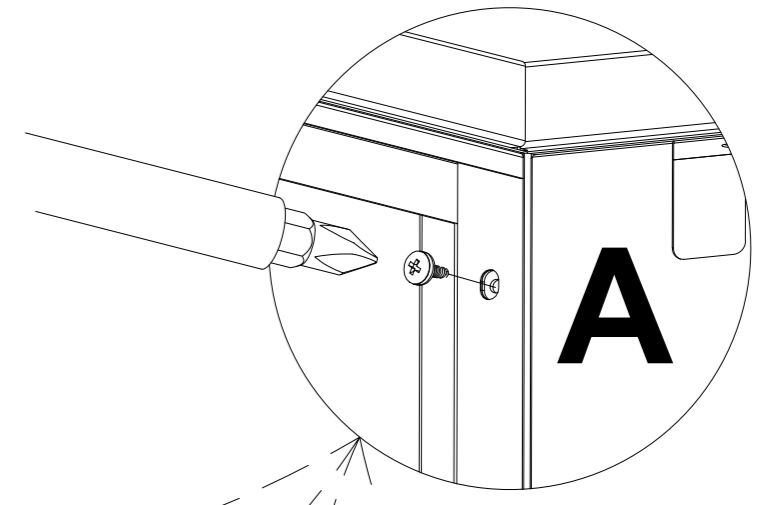
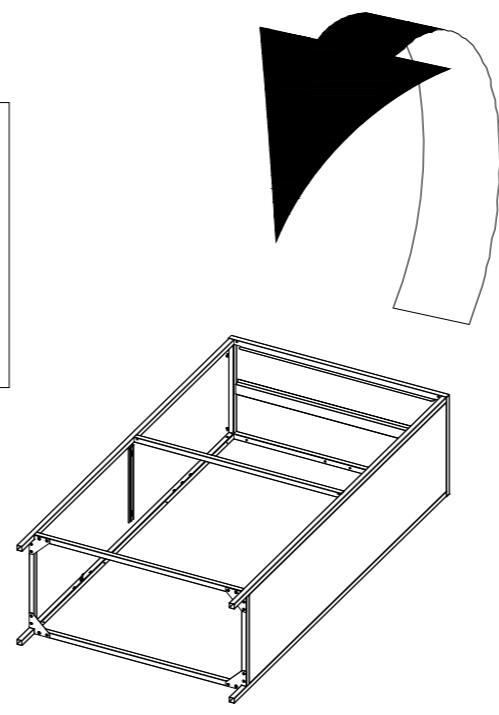
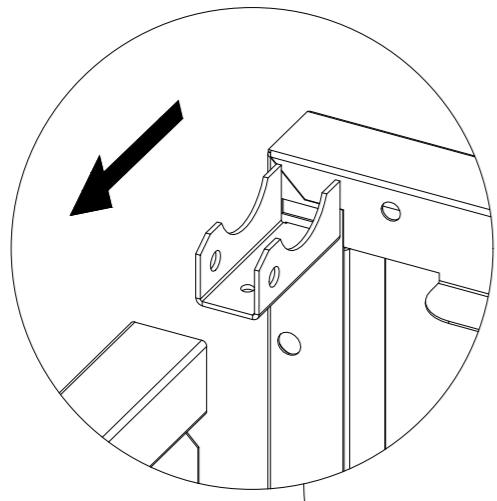


Please align the round hole on the triangular piece with the largest hole on the pipe, and secure it with screw B before installing it with screw A.

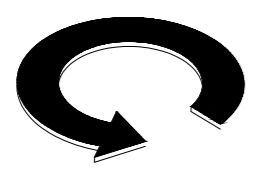


3

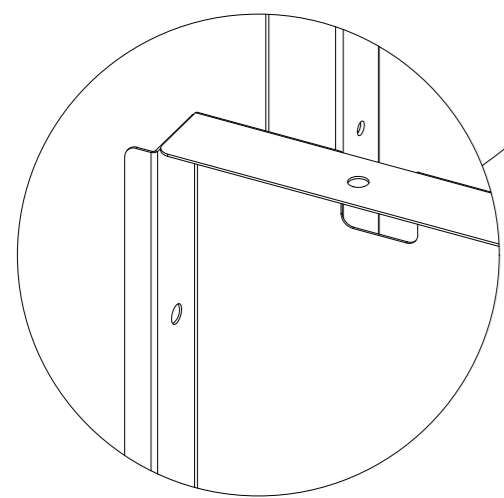
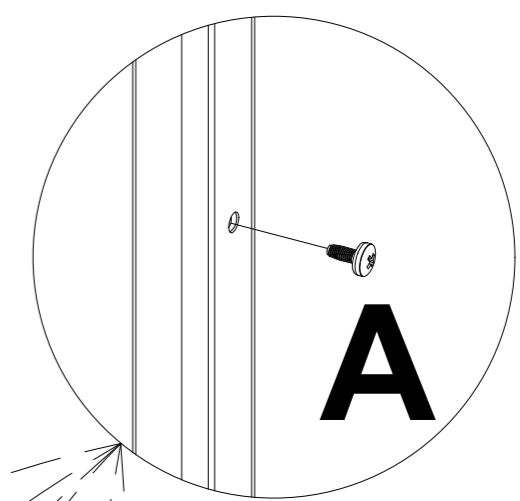
After installing component number 6, you can firmly tap the four corners of the component to reduce the gap between component number 6 and the cabinet.



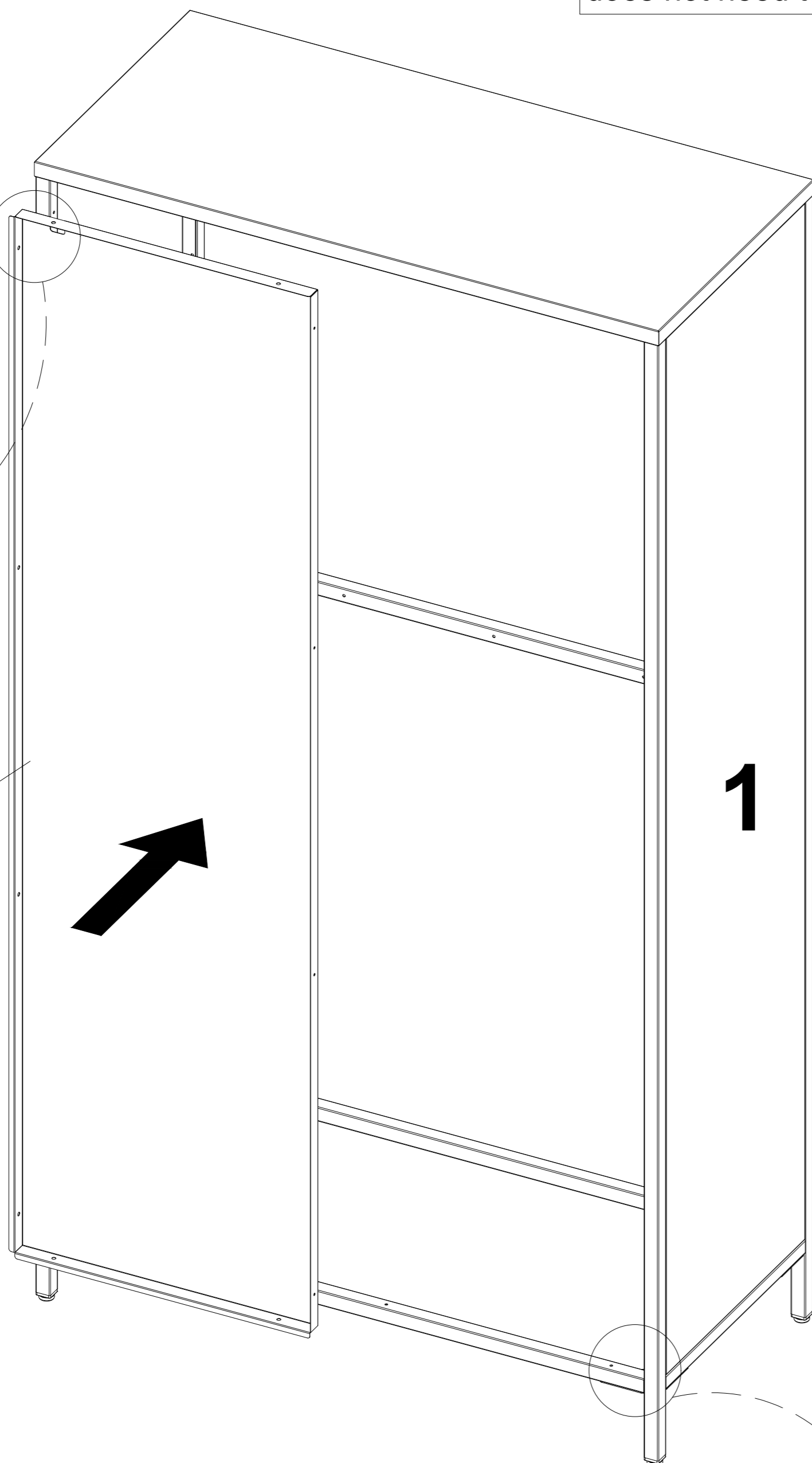
4



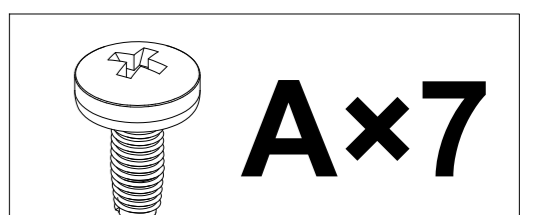
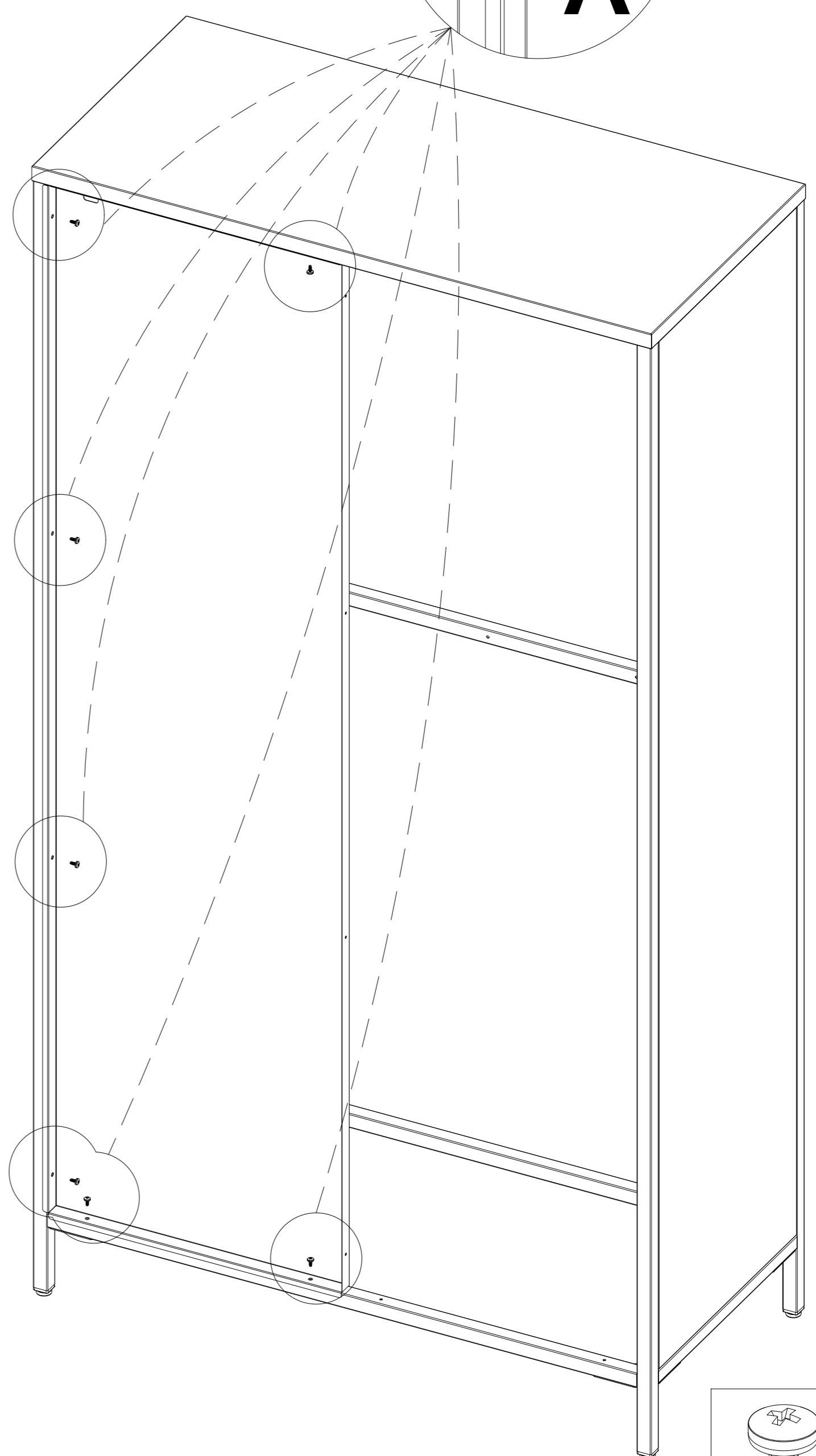
Pay attention to the position of the gap and the gap does not need to be installed with screws.



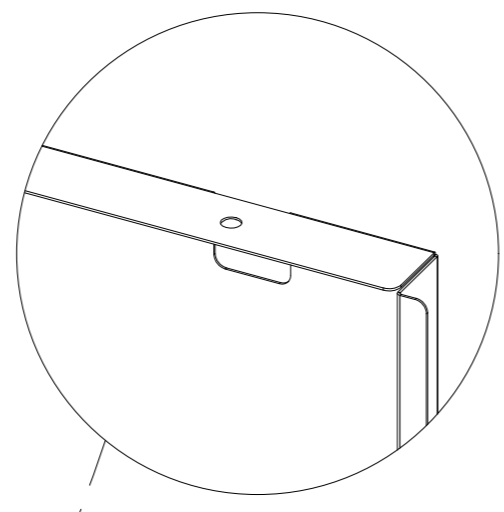
7



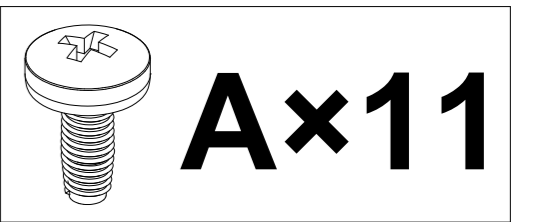
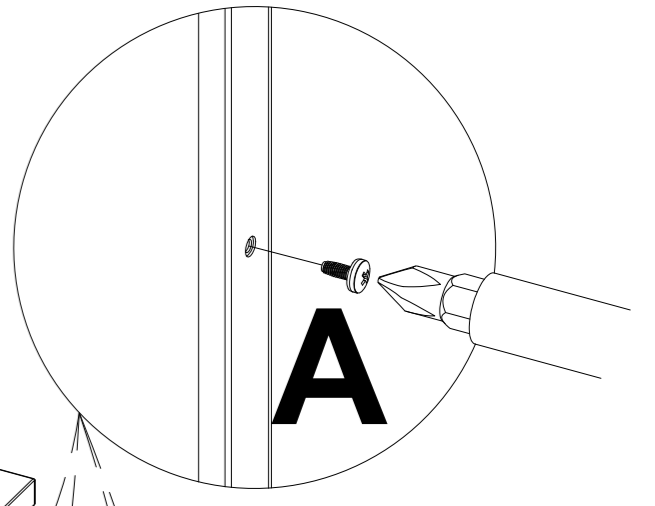
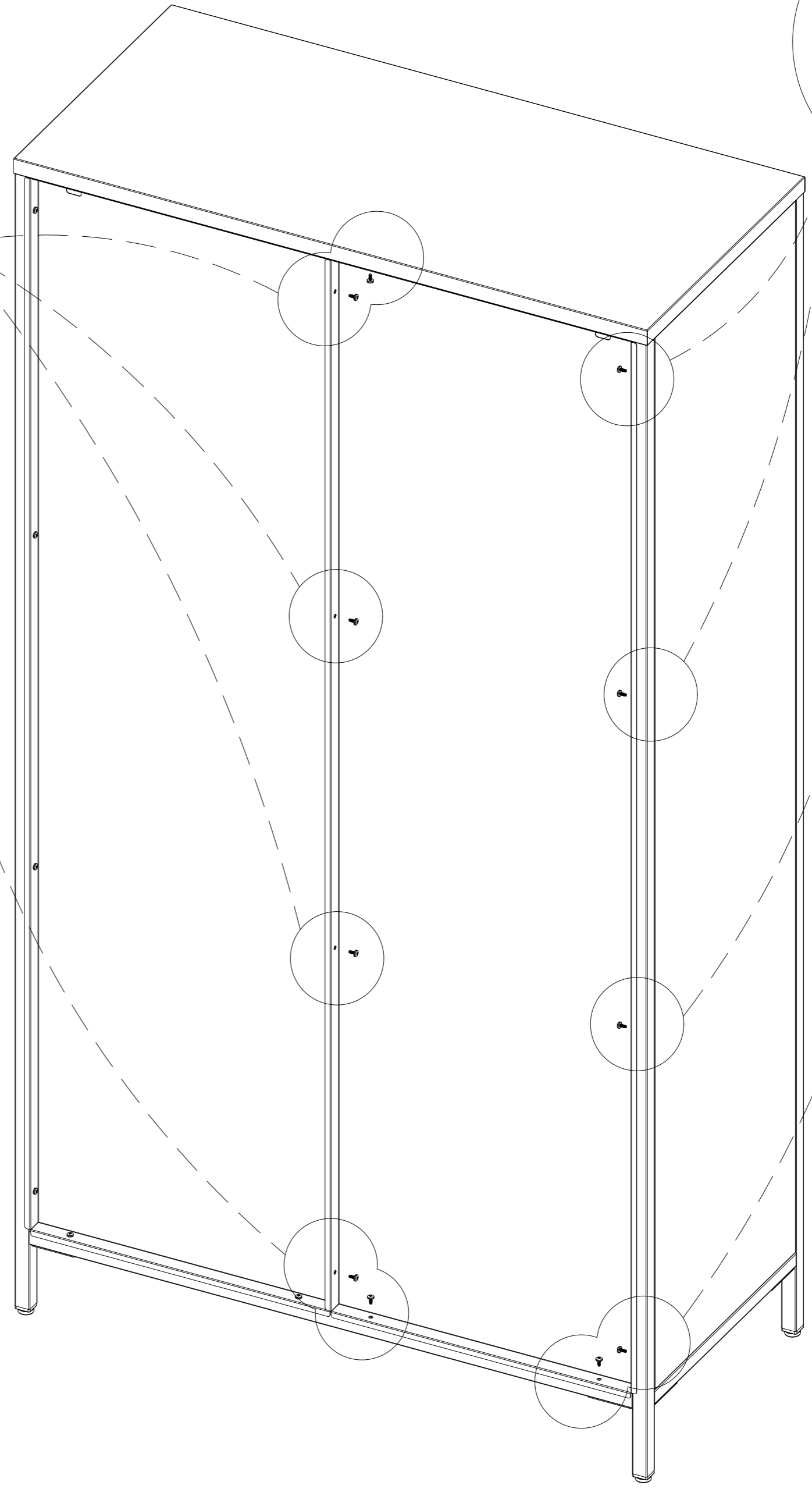
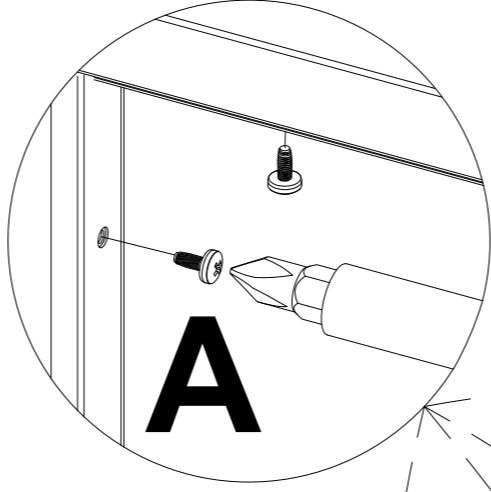
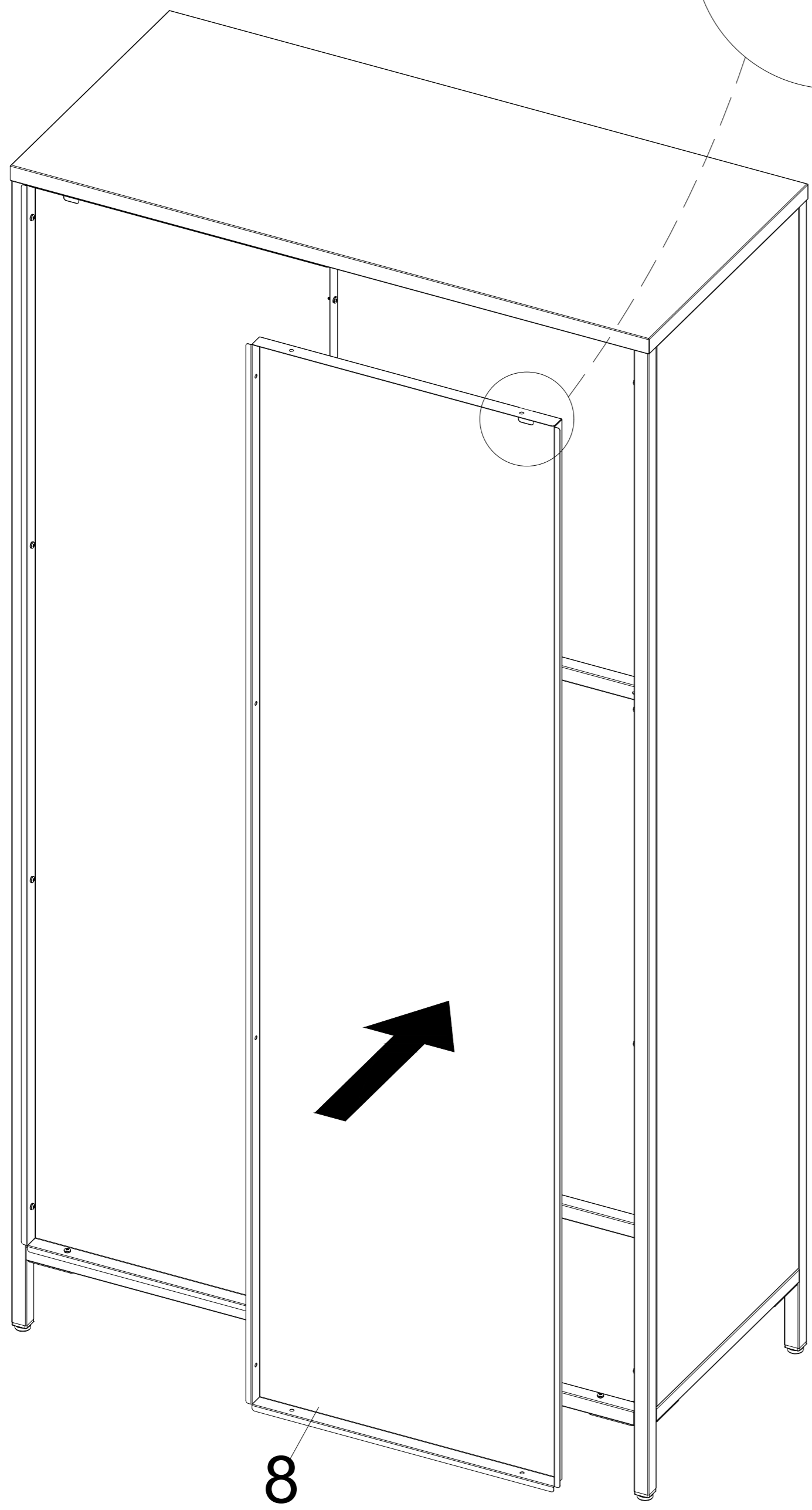
1



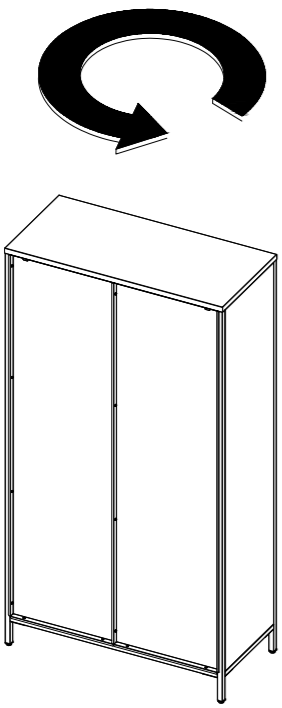
5



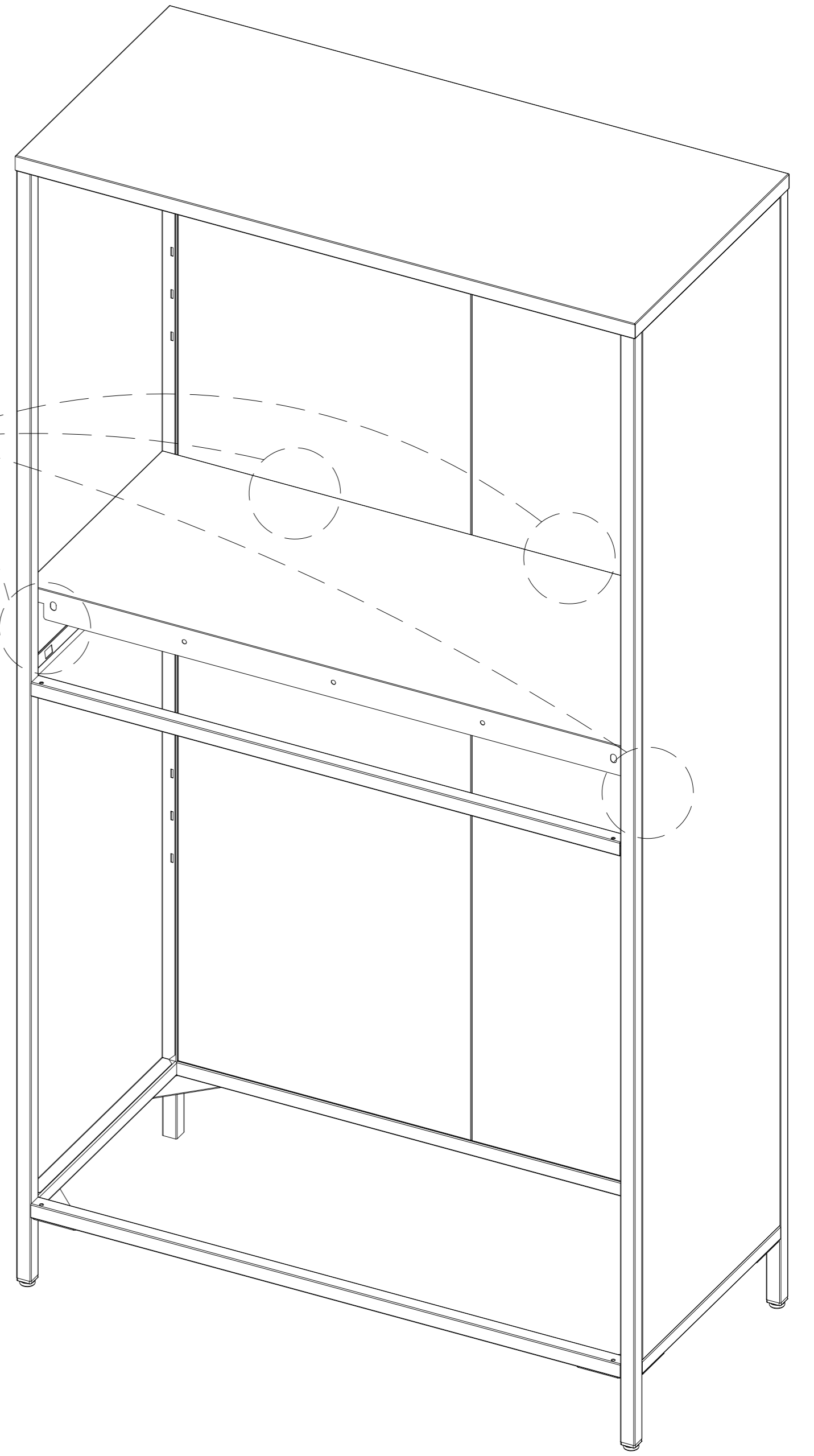
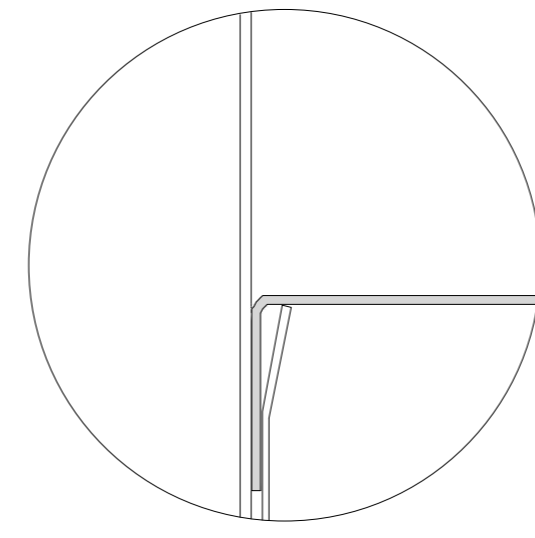
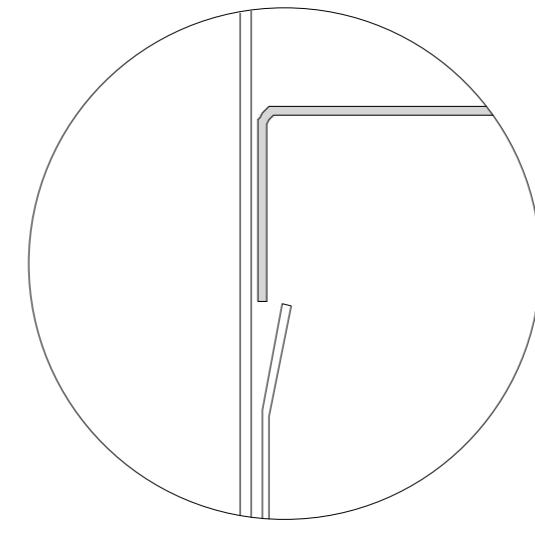
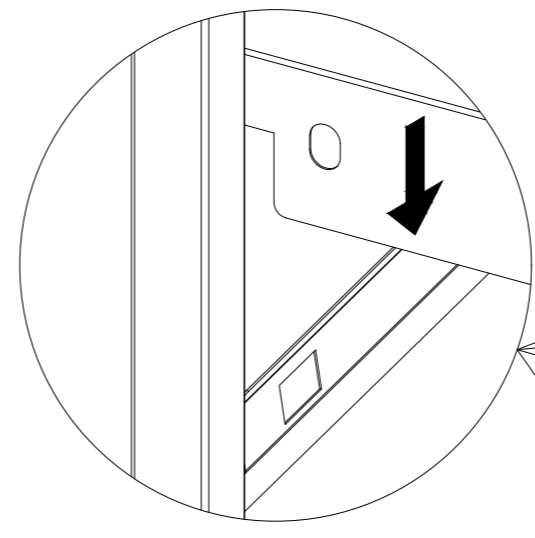
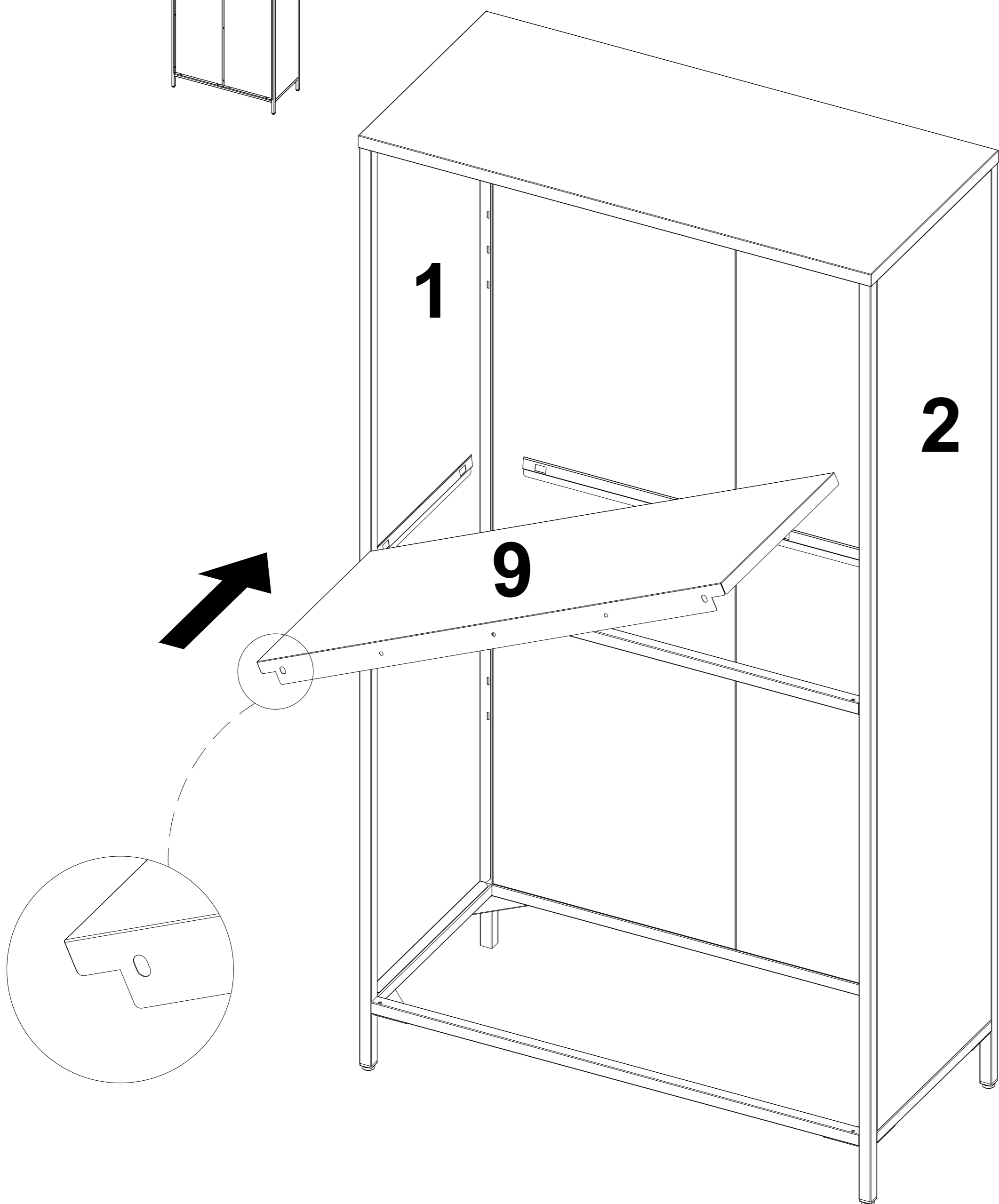
Pay attention to the position of the gap and the gap does not need to be installed with screws.



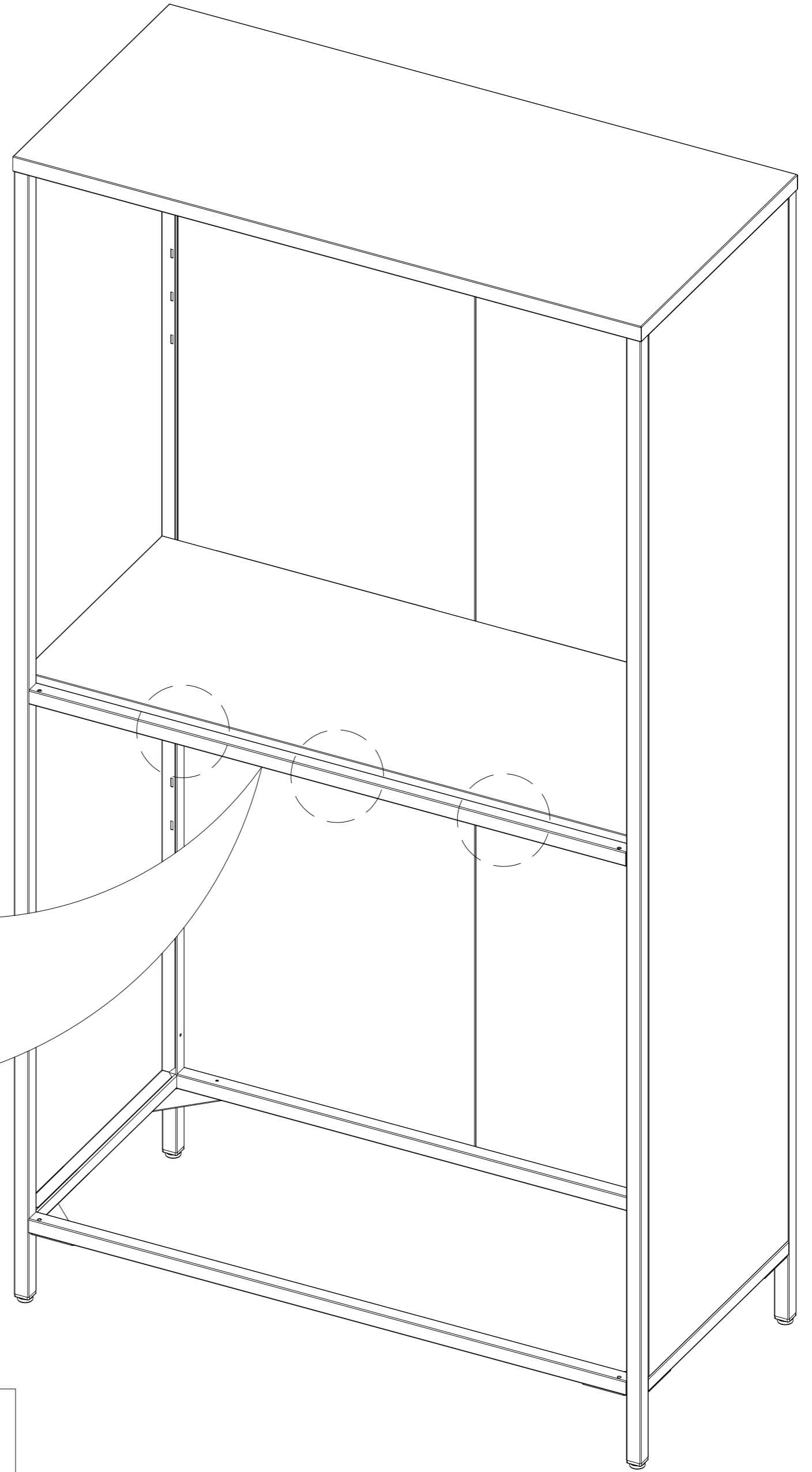
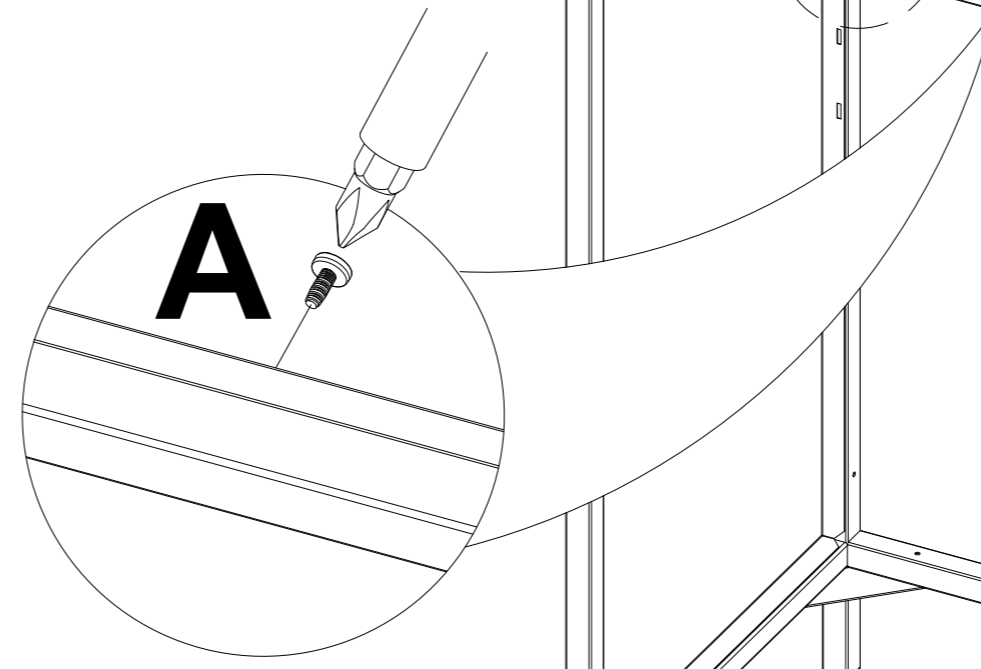
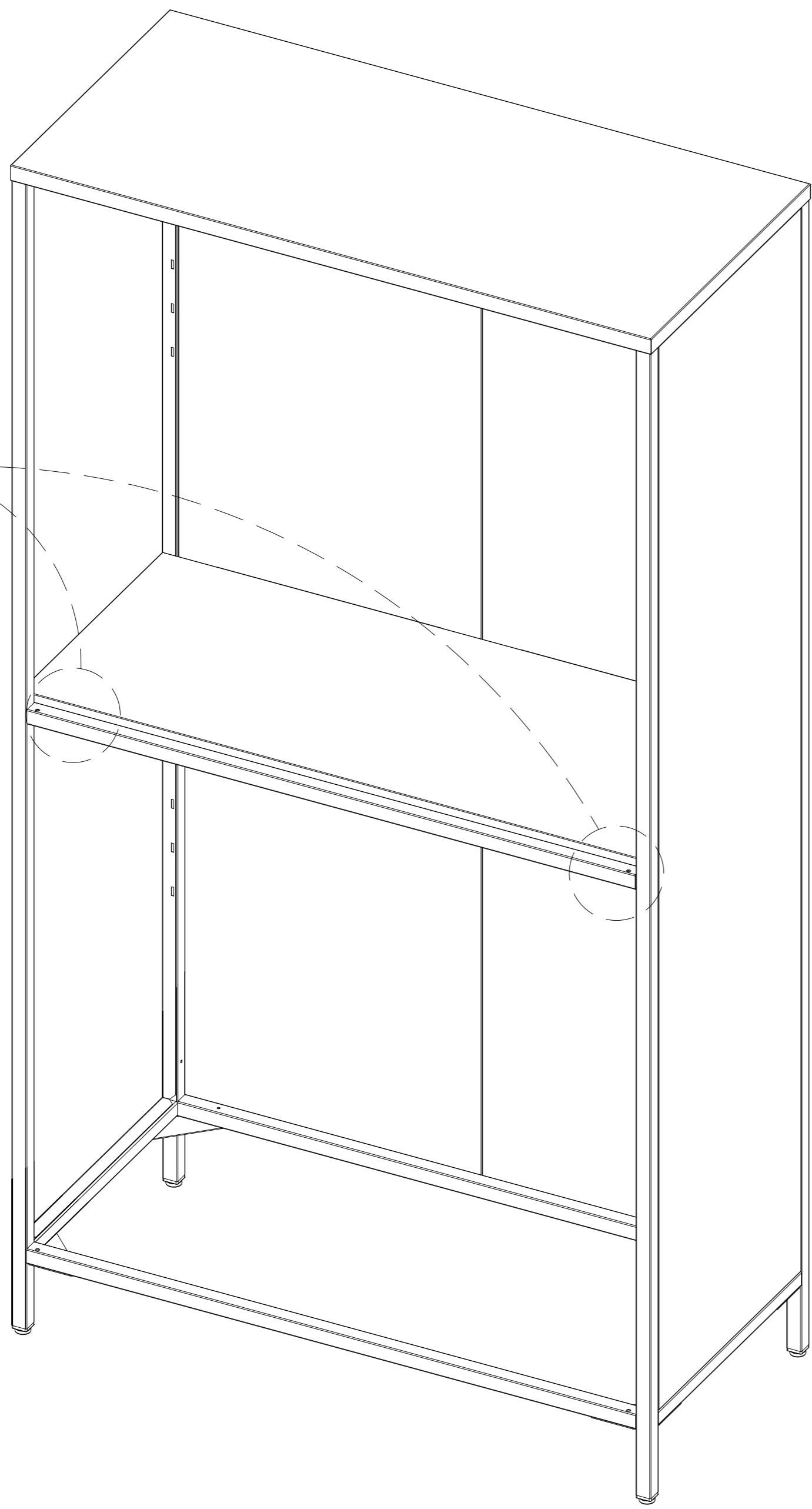
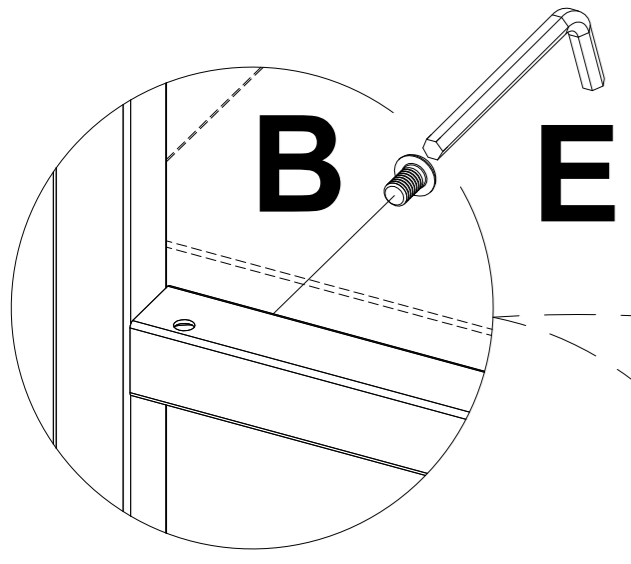
6



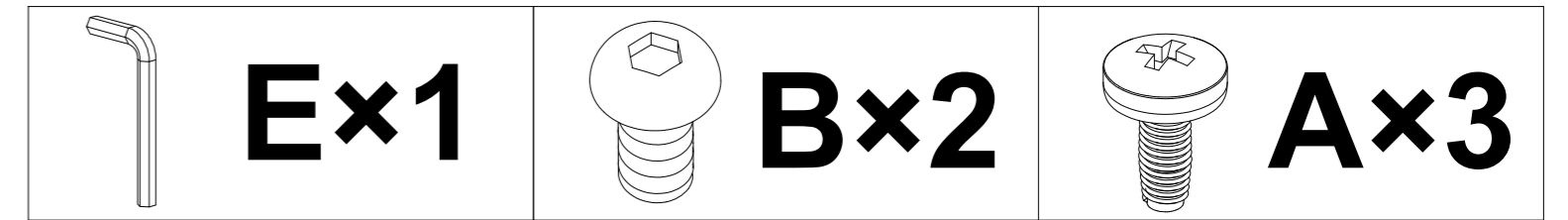
When installing component 9, pay attention to hooking it inside the bracket on both sides and at the back.



7

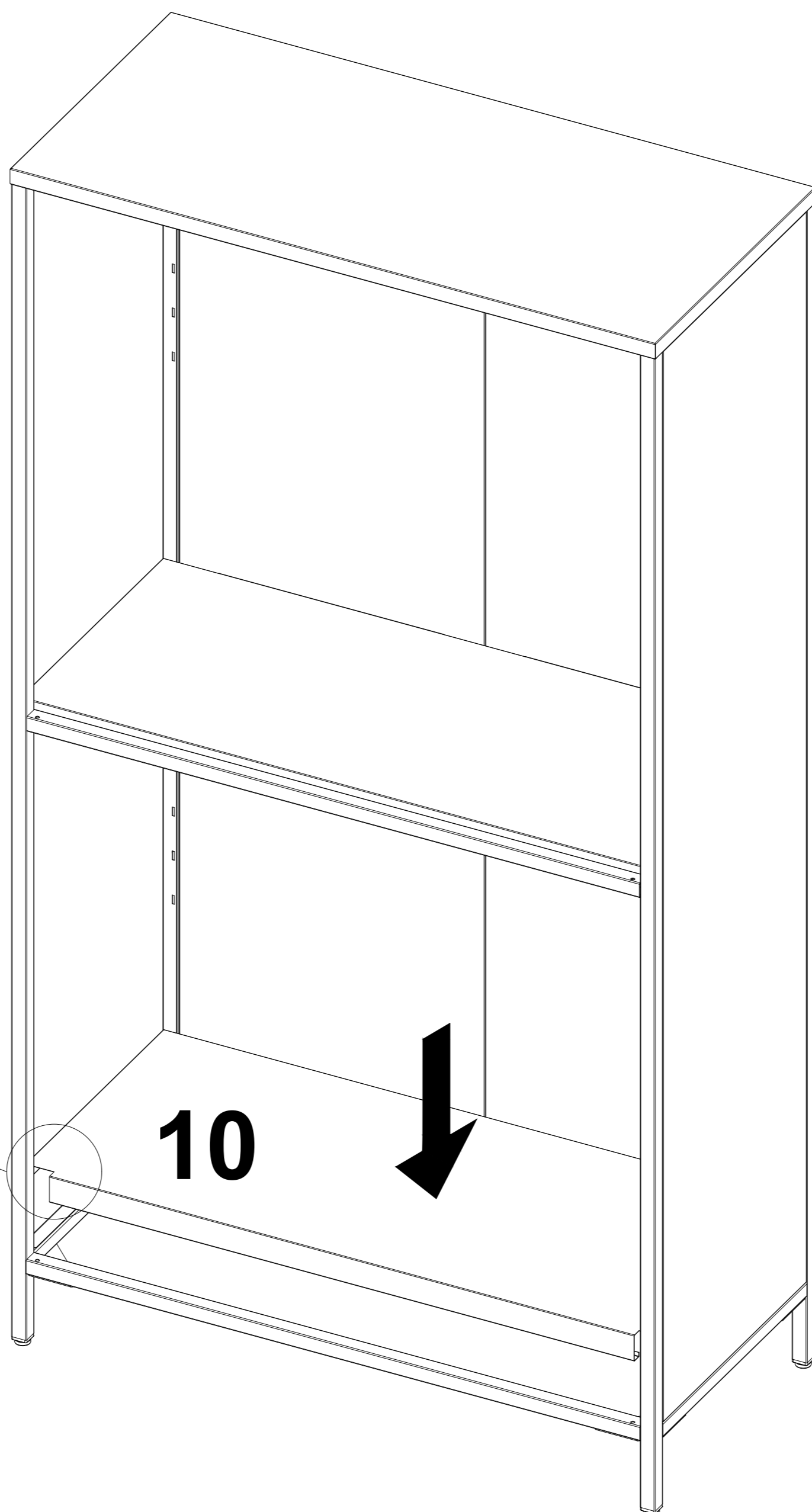
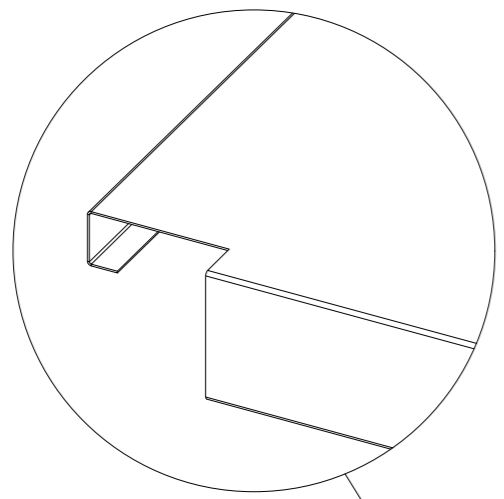


There are two different screws that need to be installed, each in their designated locations as shown in the diagram.

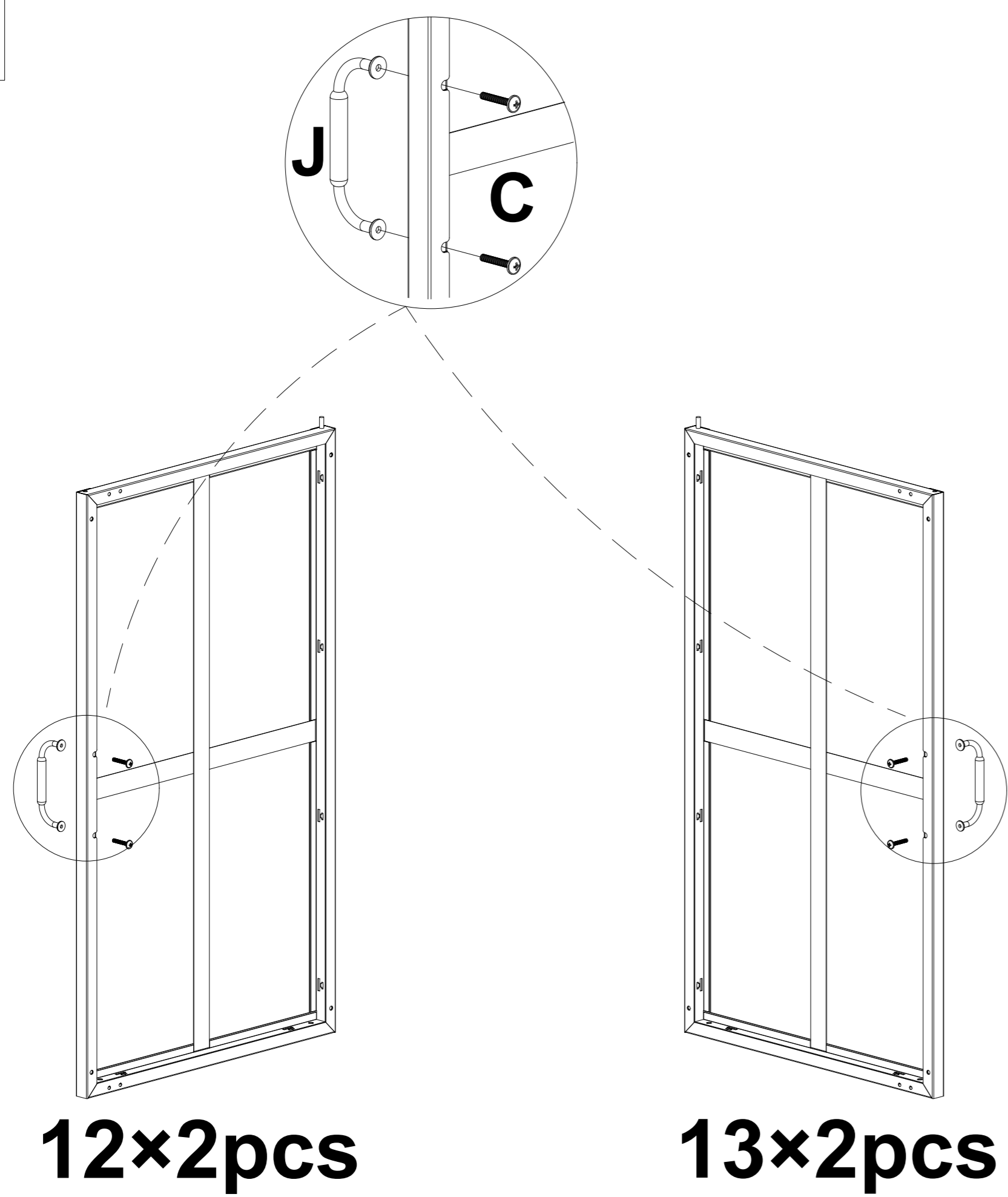


8

Pay attention to the installation direction of component 10.

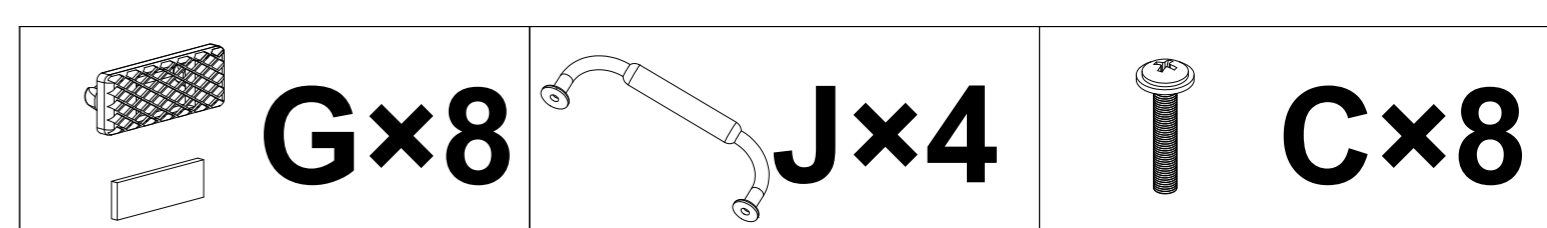
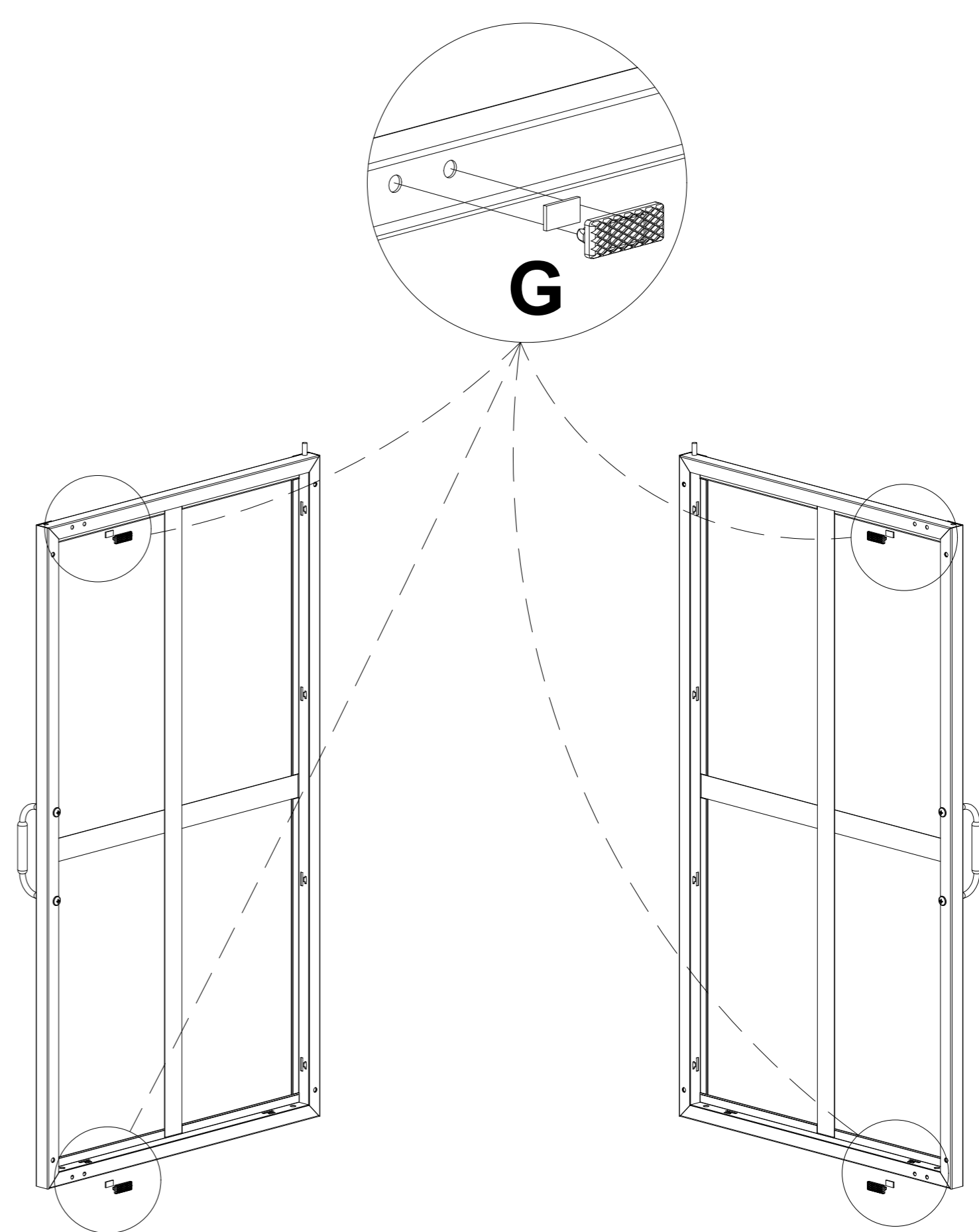


9



Install the handle in place according to the diagram.

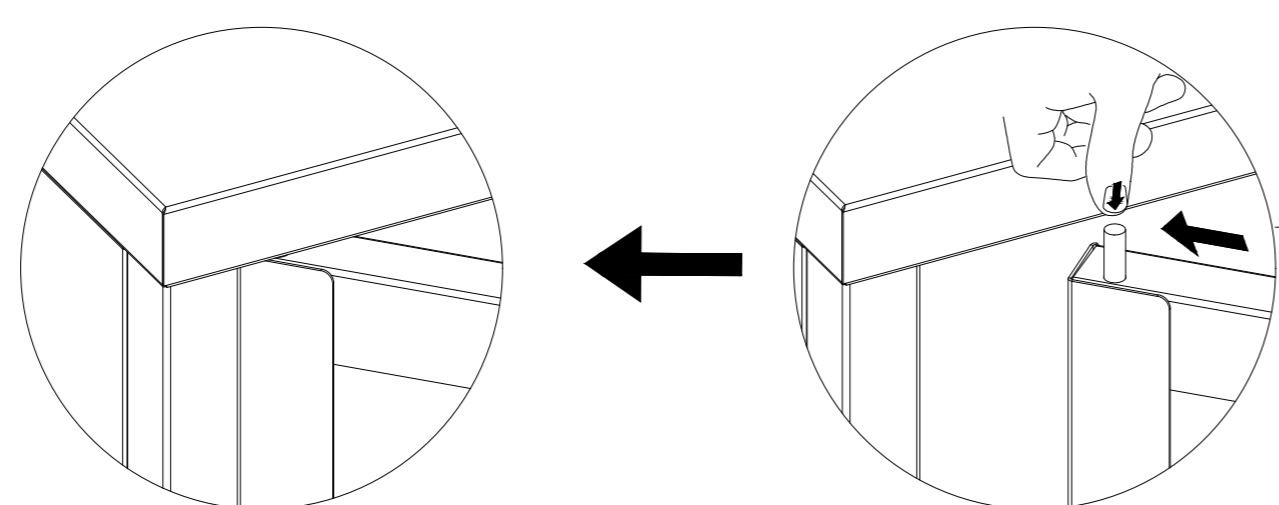
One G accessory consists of a magnet and a buckle.



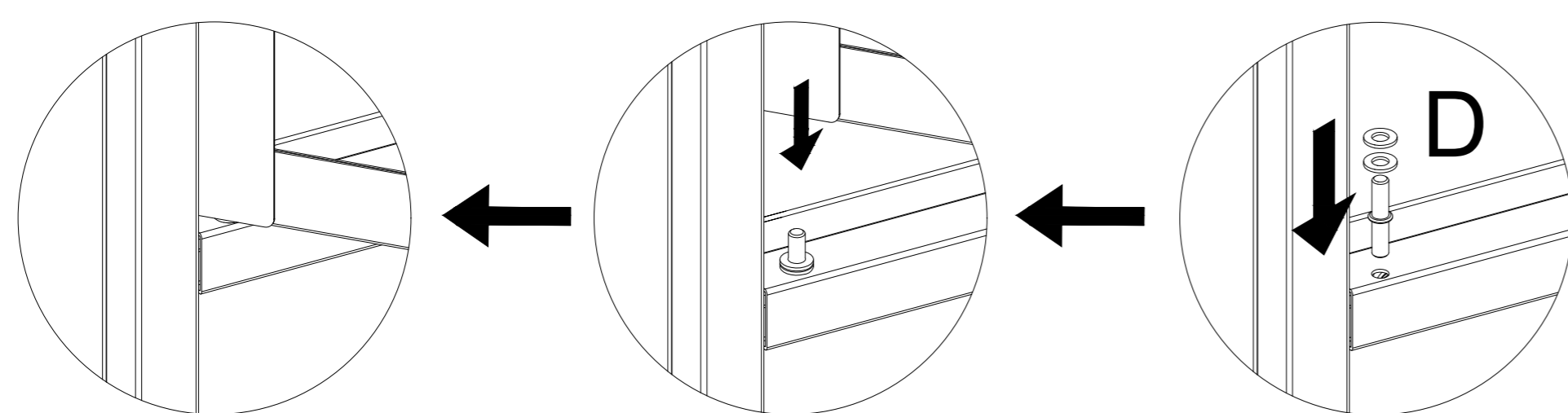
10

As shown in the diagram, install the two cabinet doors in the specified order.

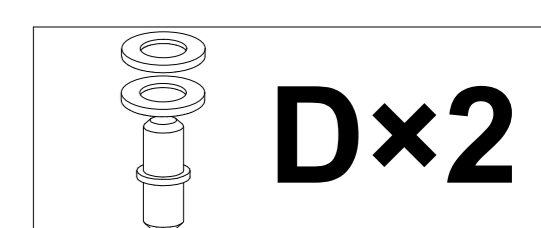
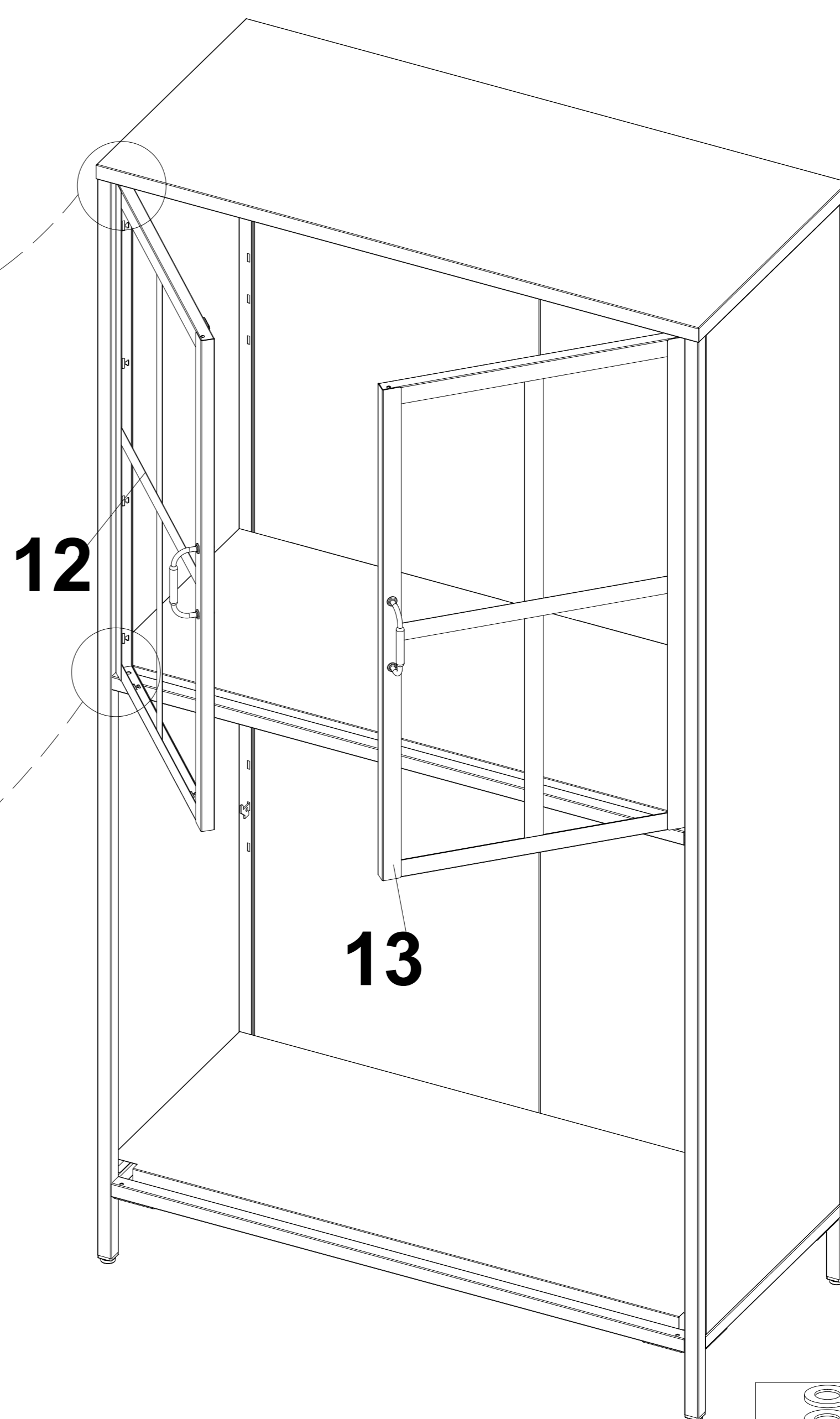
STEP 2



STEP 1

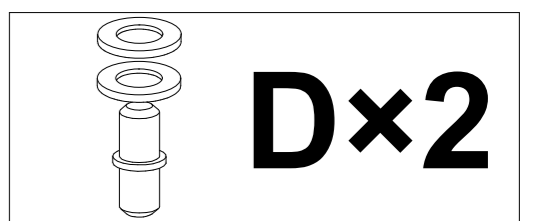
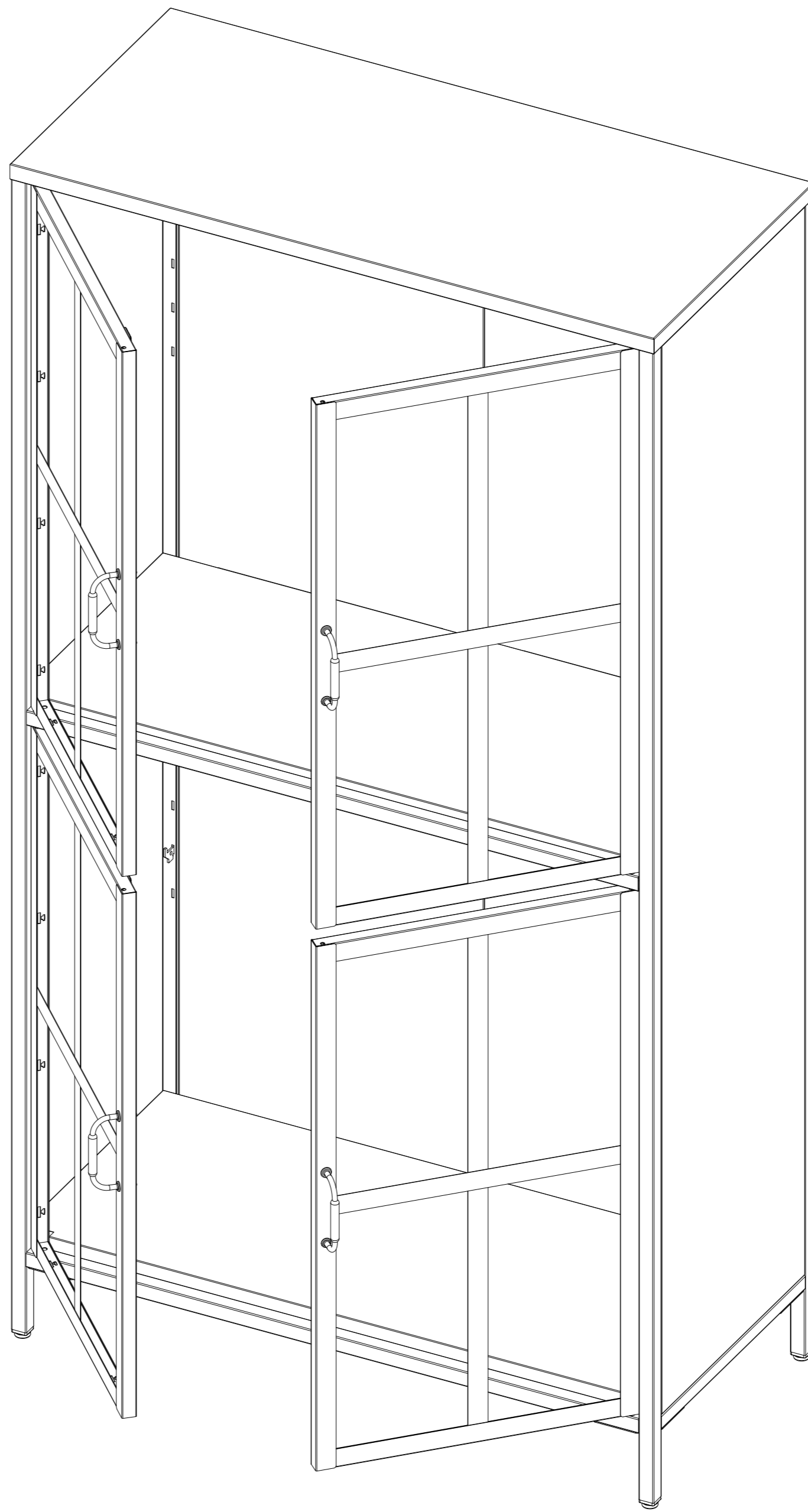


A part D consists of a cylinder and two circular gaskets.



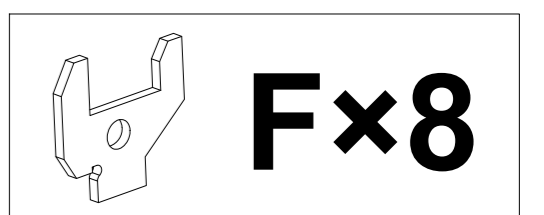
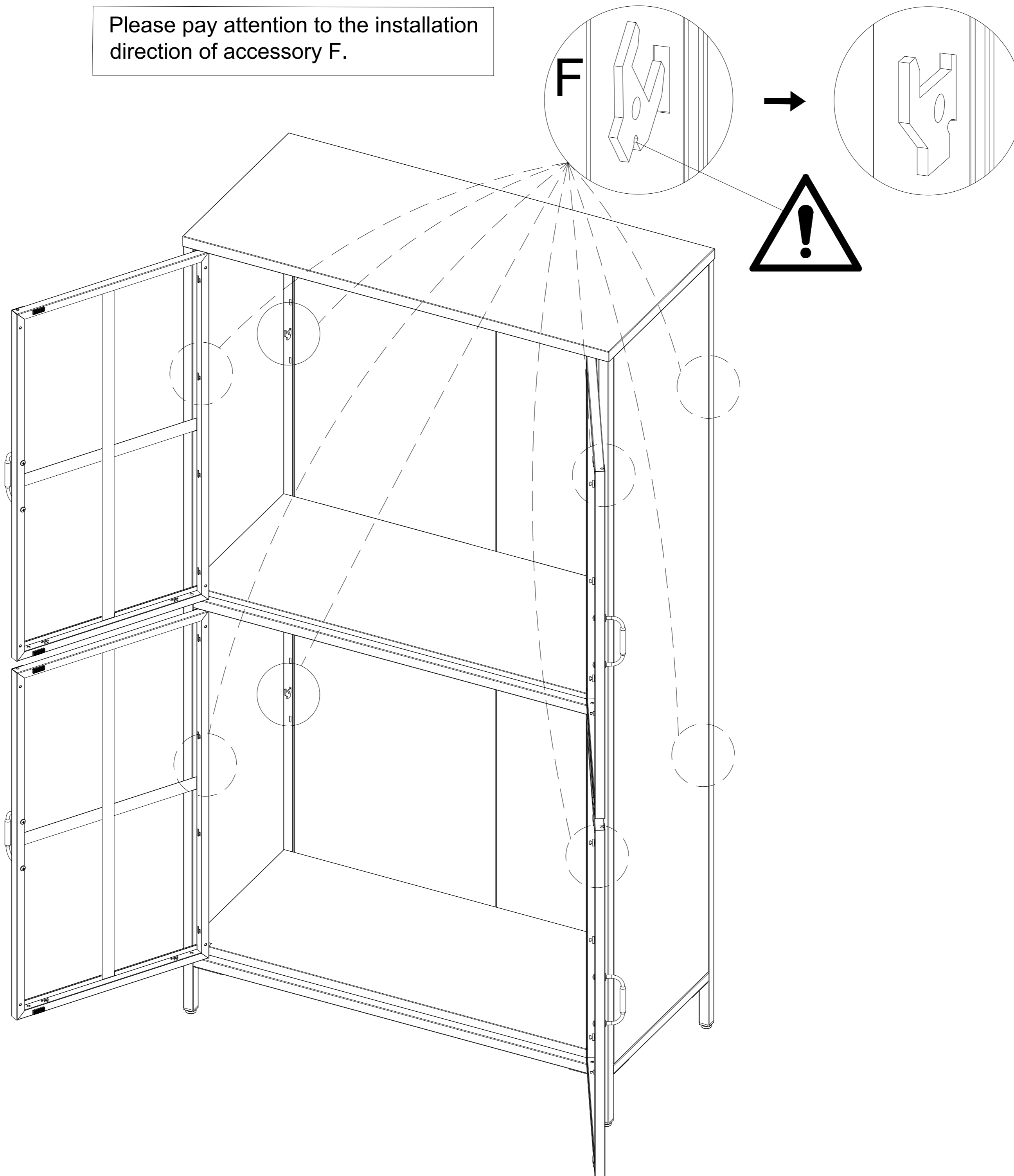
11

Follow step 10 to install the remaining doors onto the cabinet.



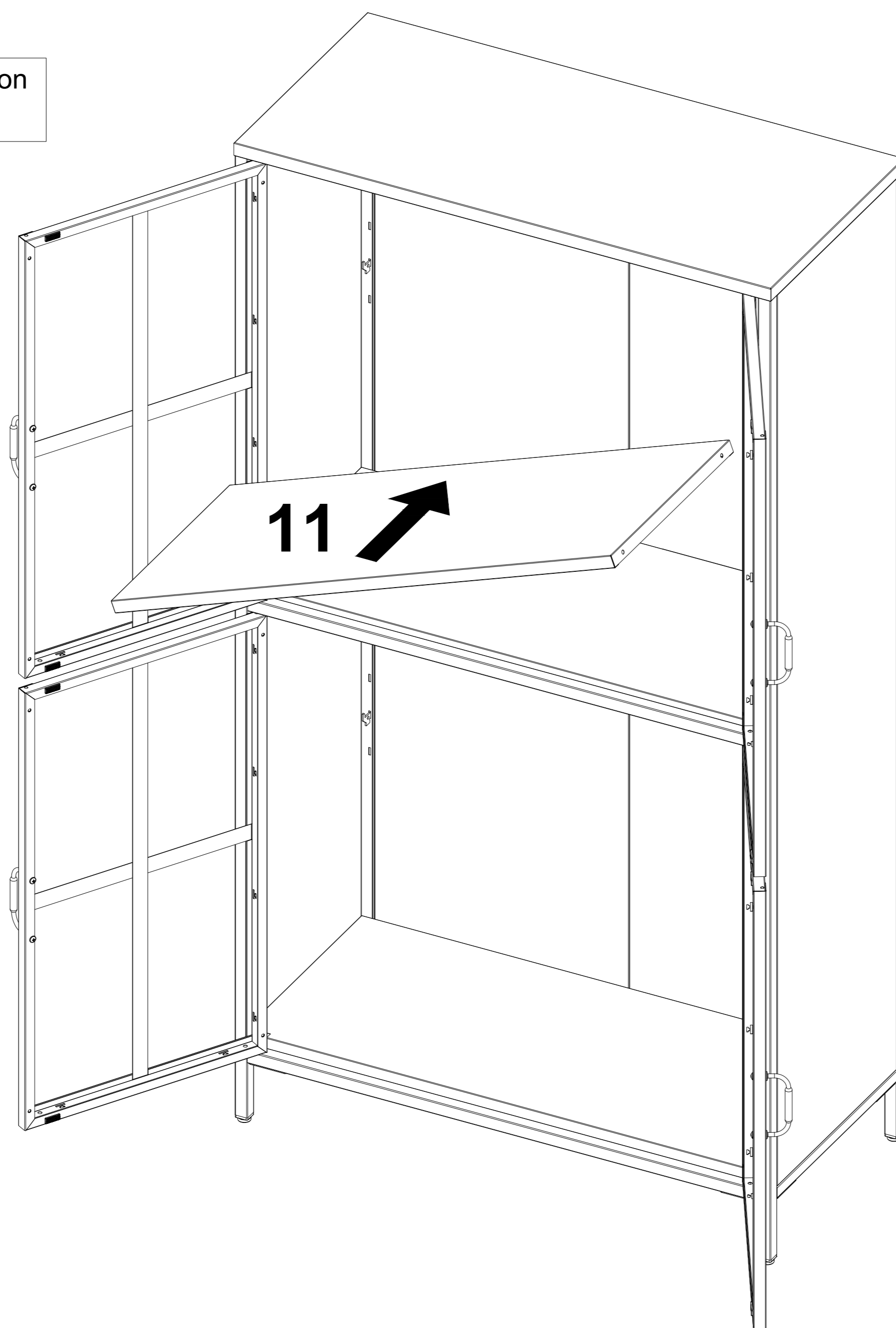
12

Please pay attention to the installation direction of accessory F.



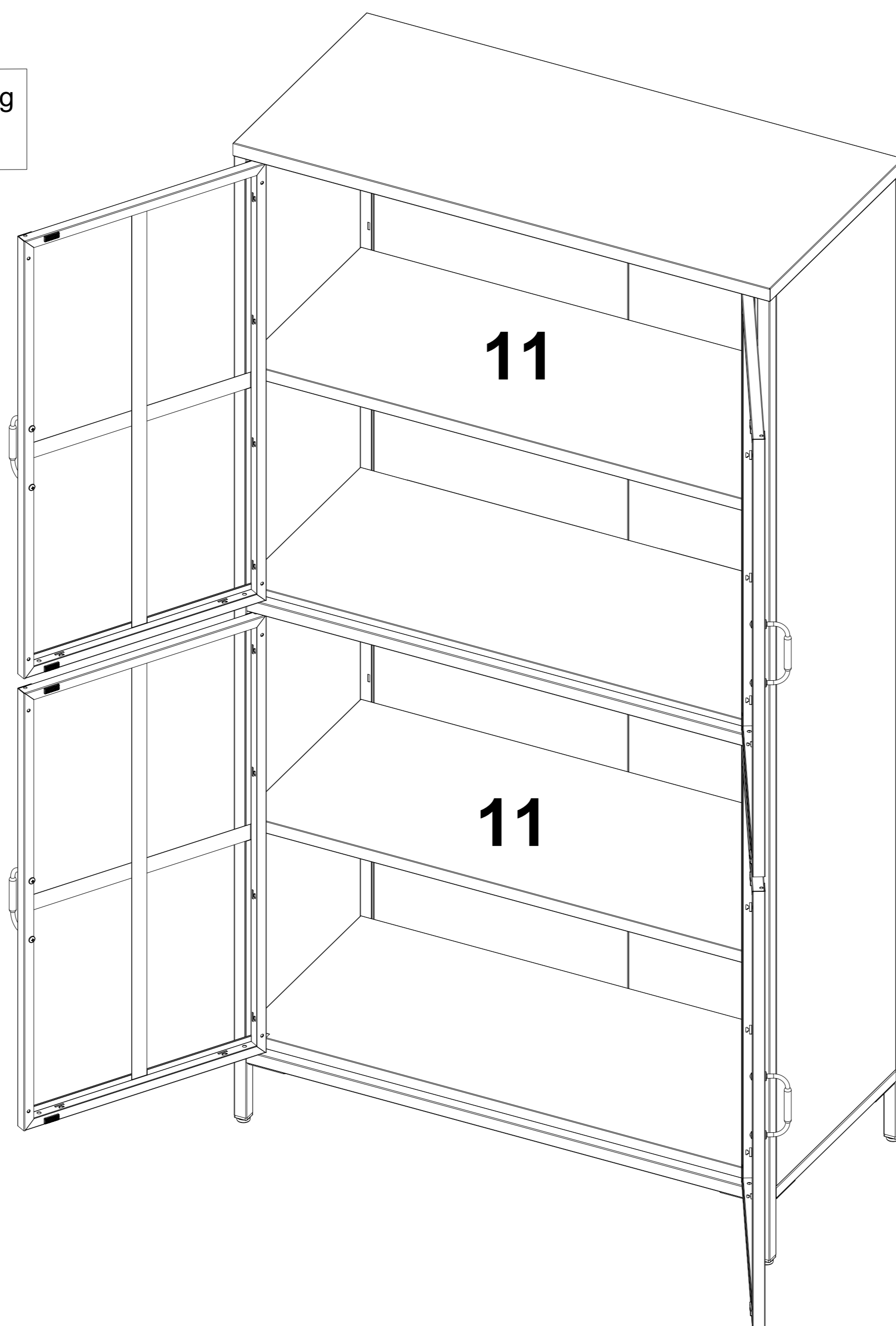
13

Install component 11 in the designated position according to the diagram.



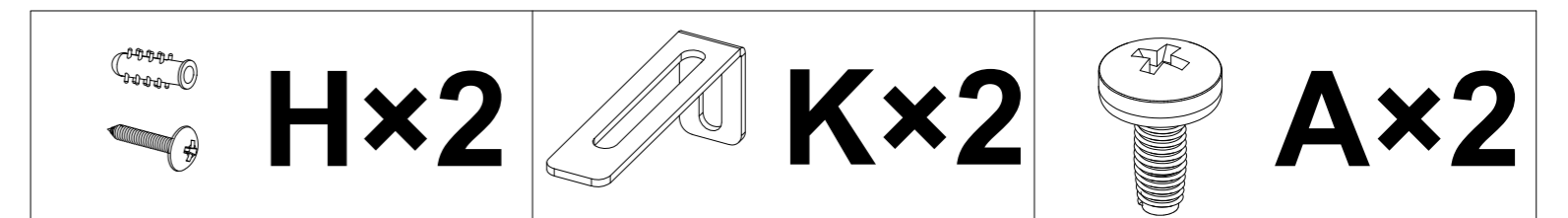
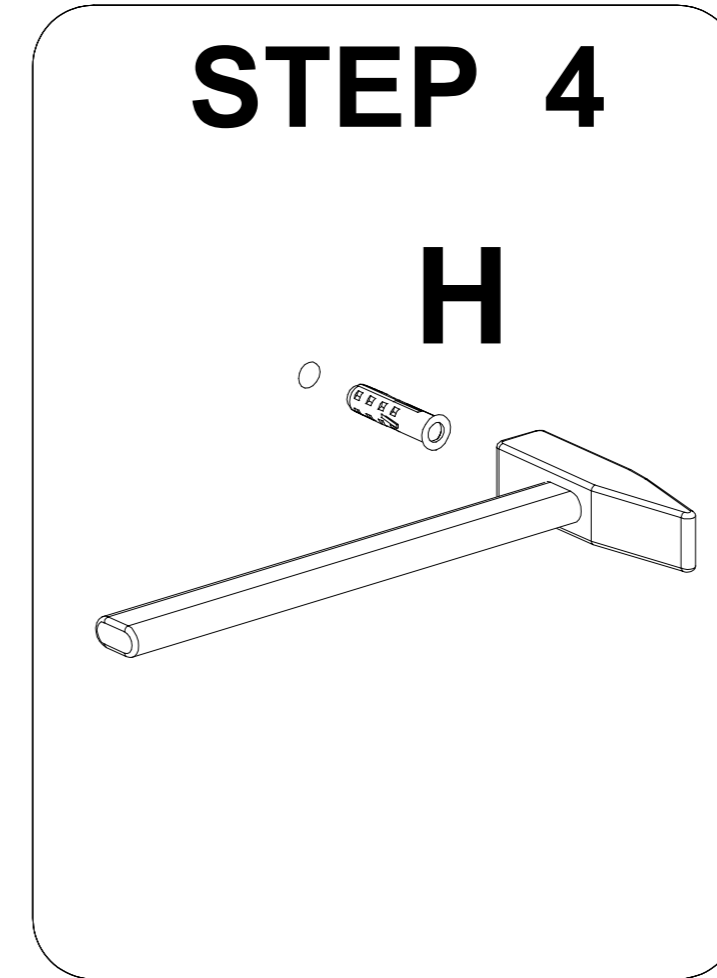
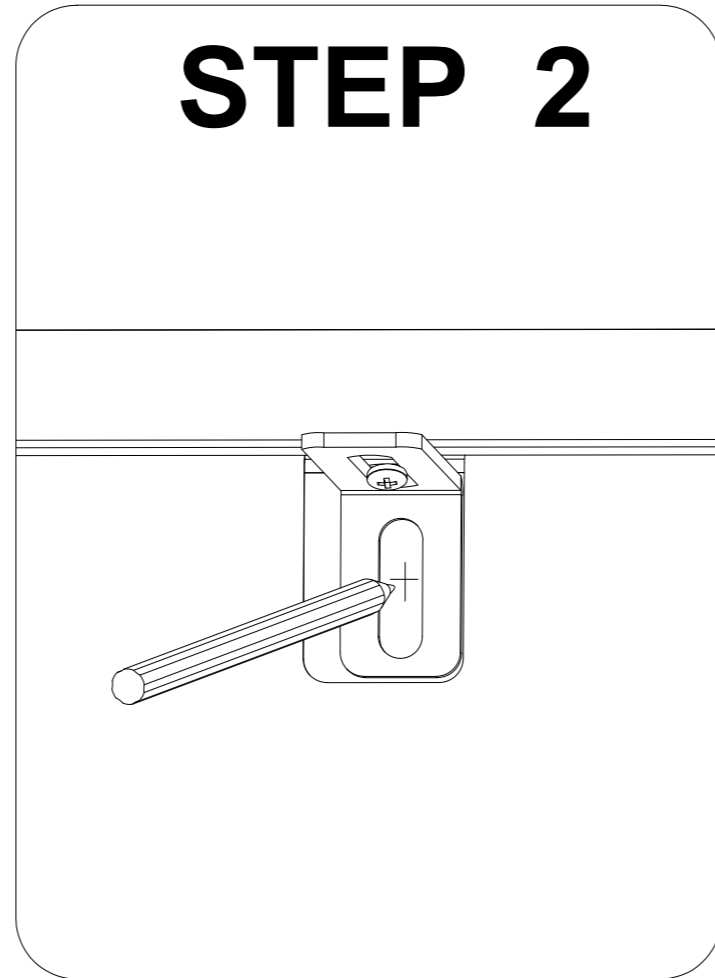
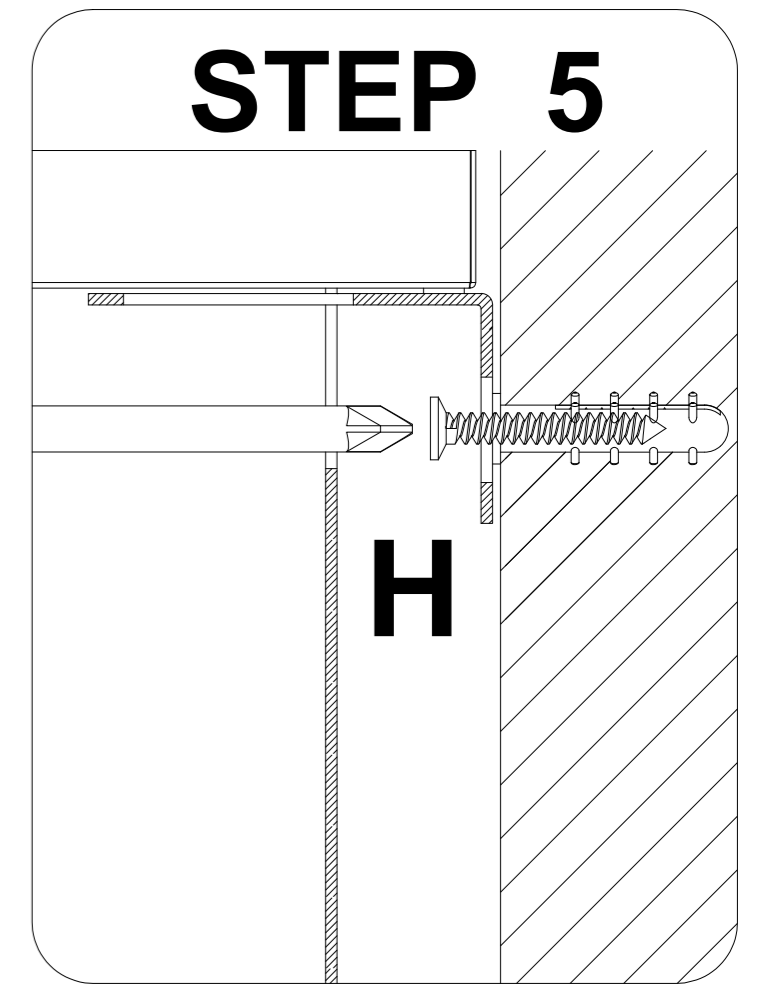
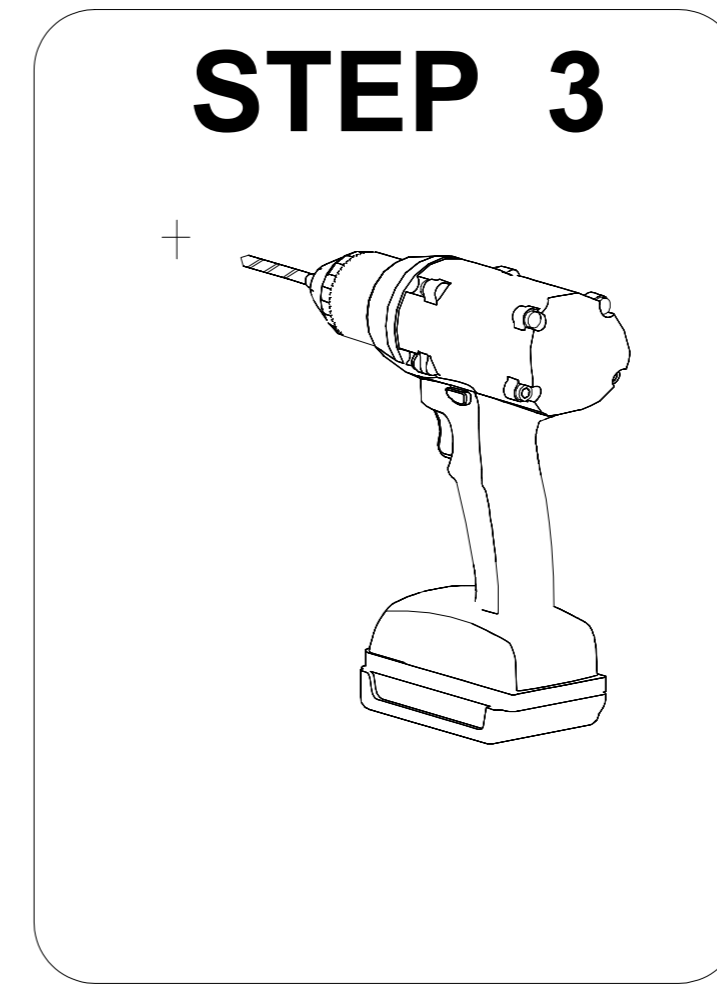
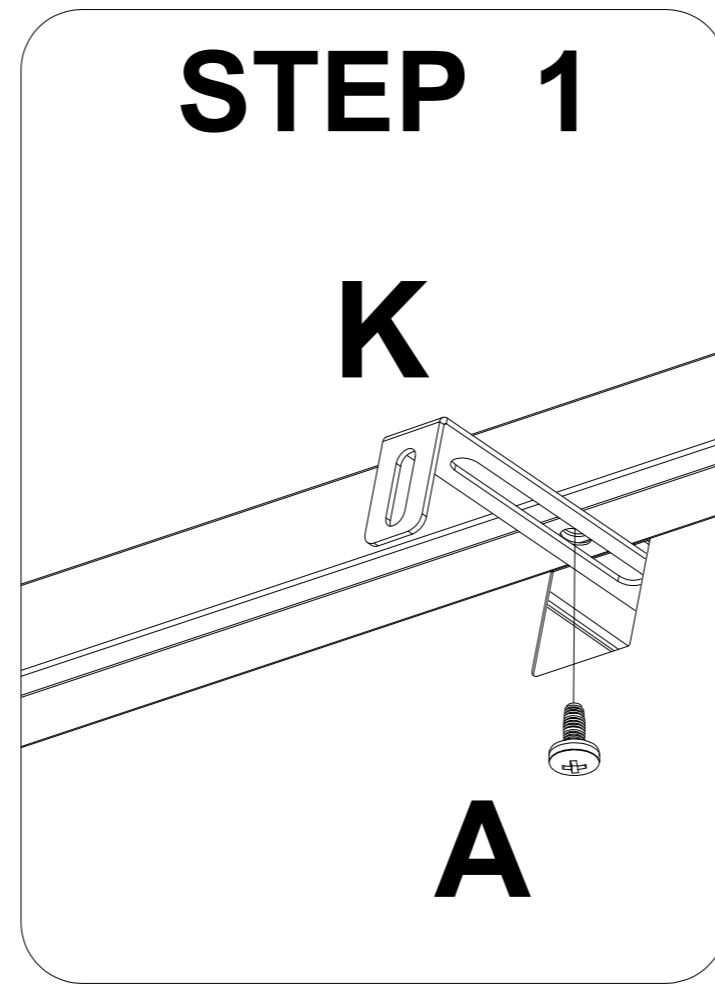
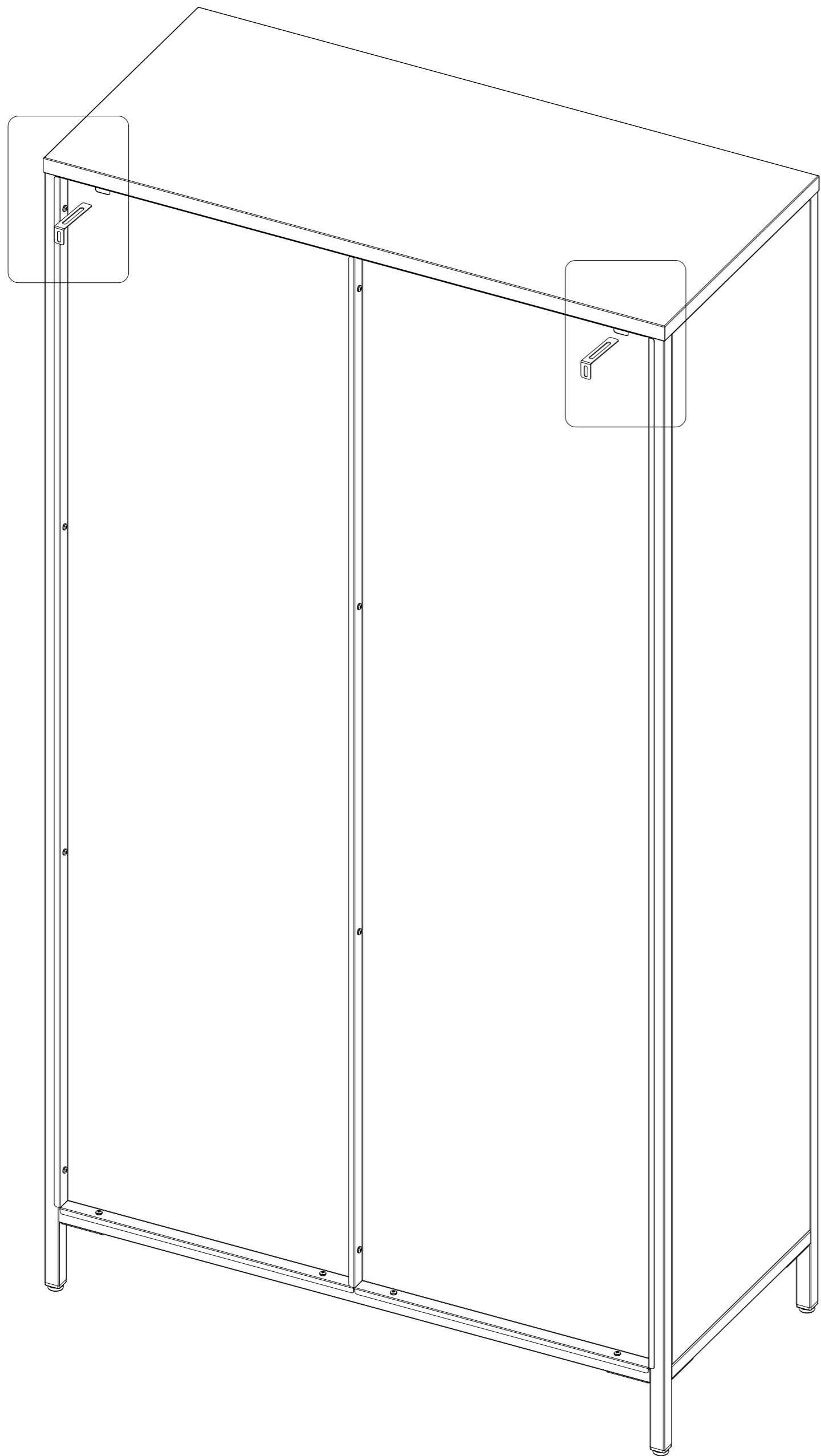
14

Install the remaining shelves in place following step 13.



15

If you need to fix the cabinet, please follow the installation steps. If not, please ignore it.



16

