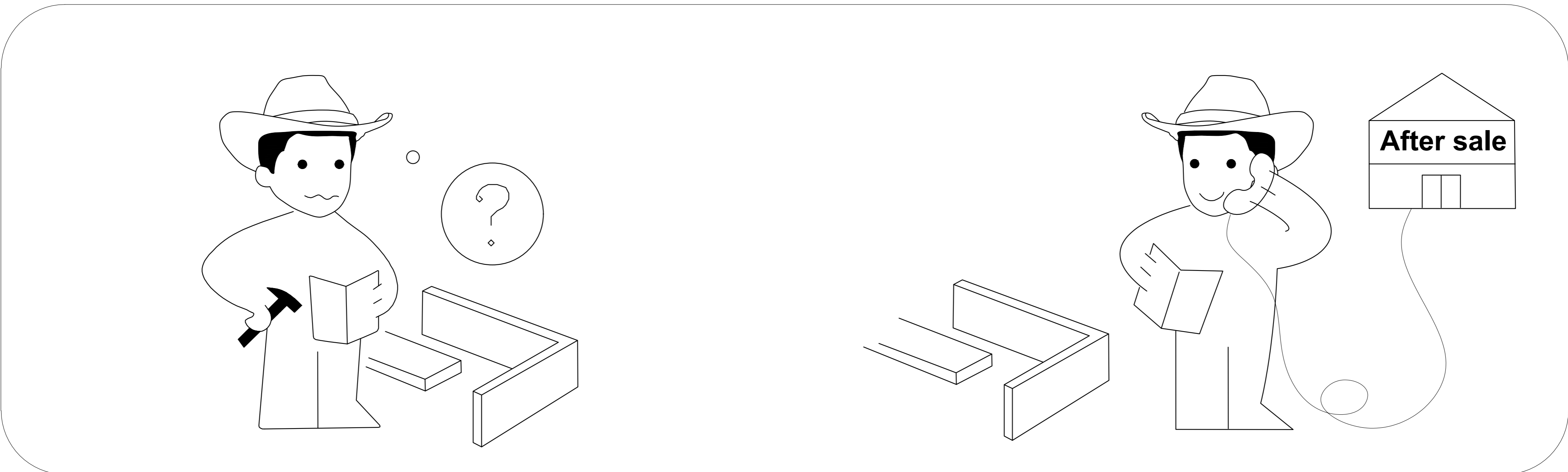
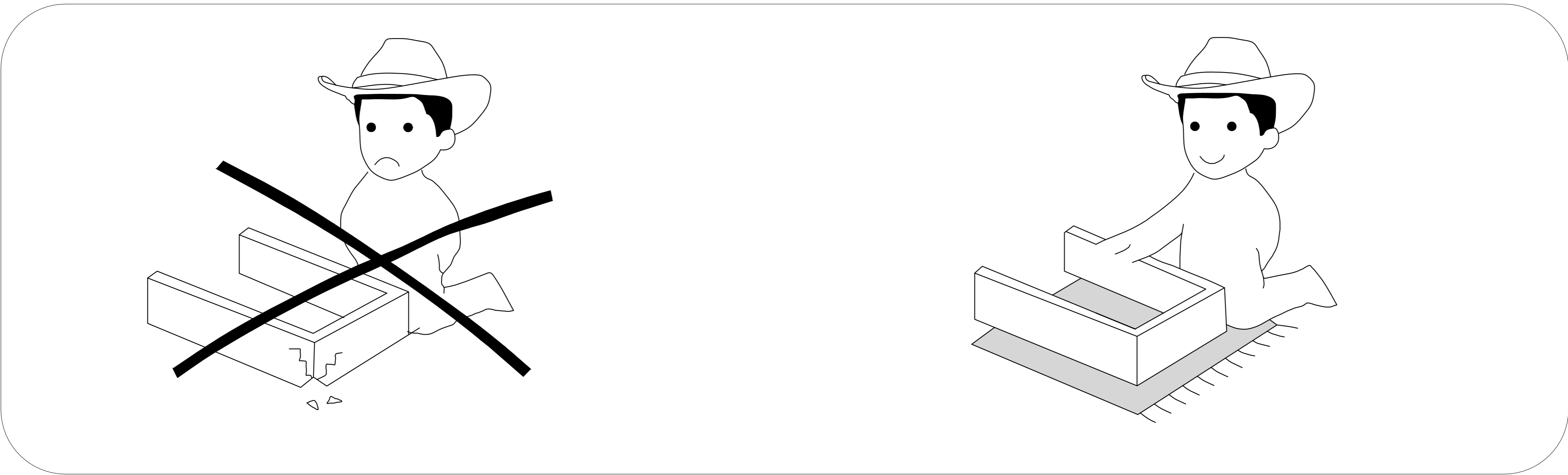
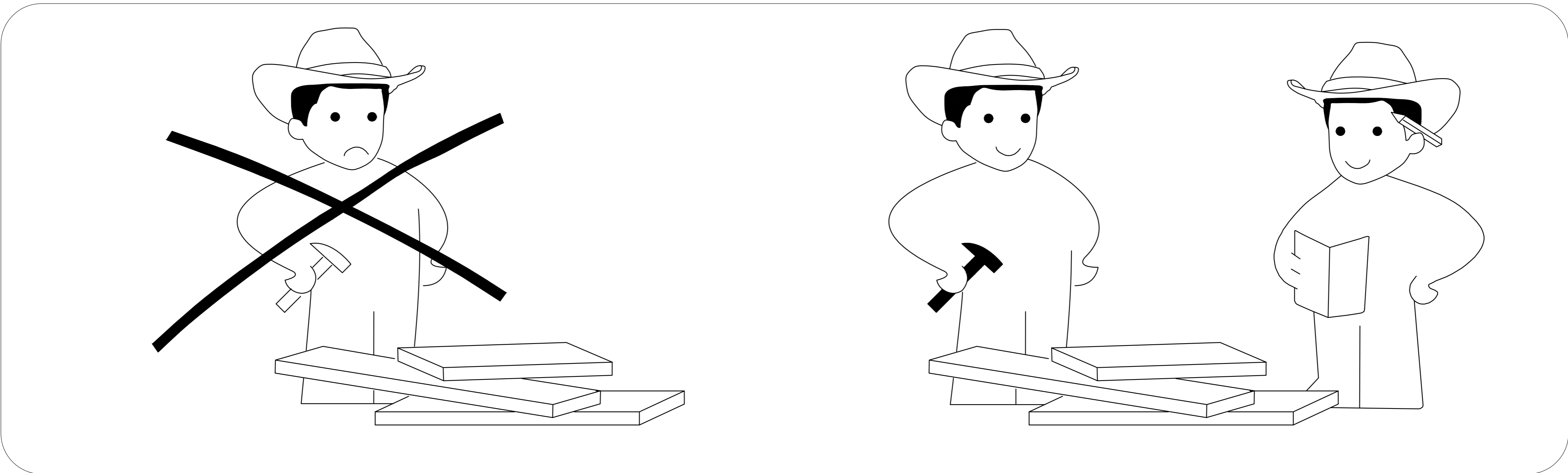
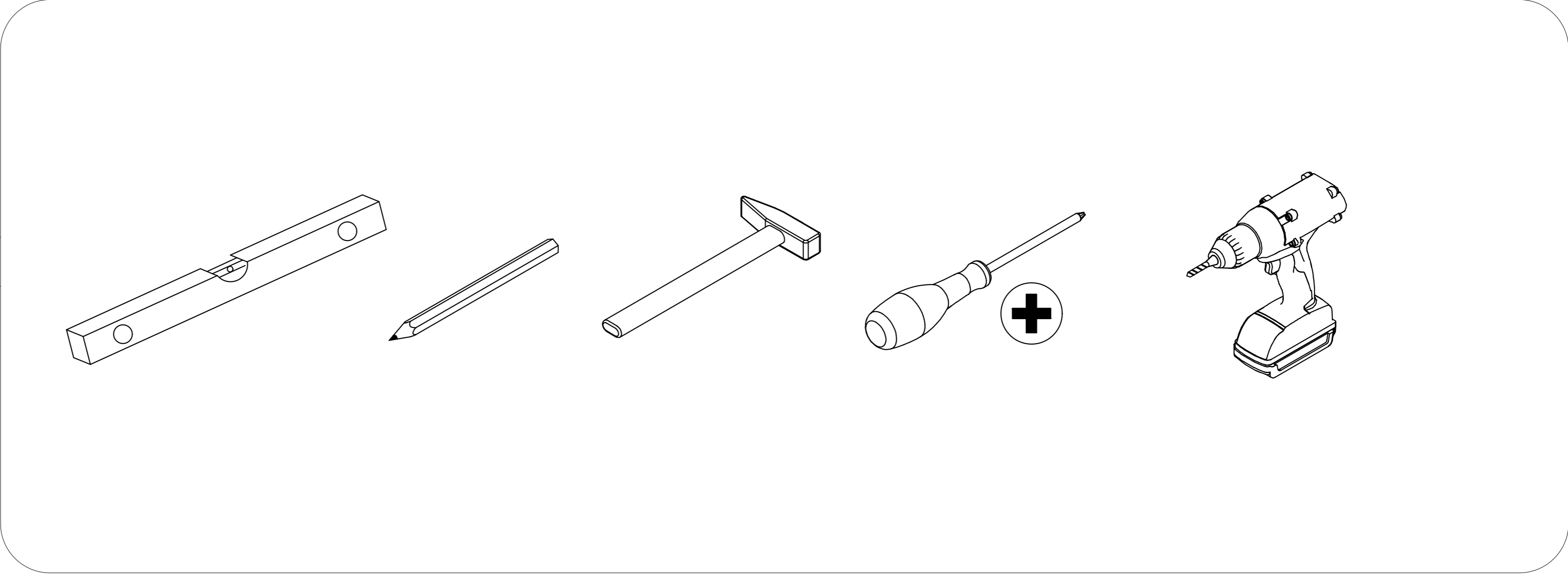
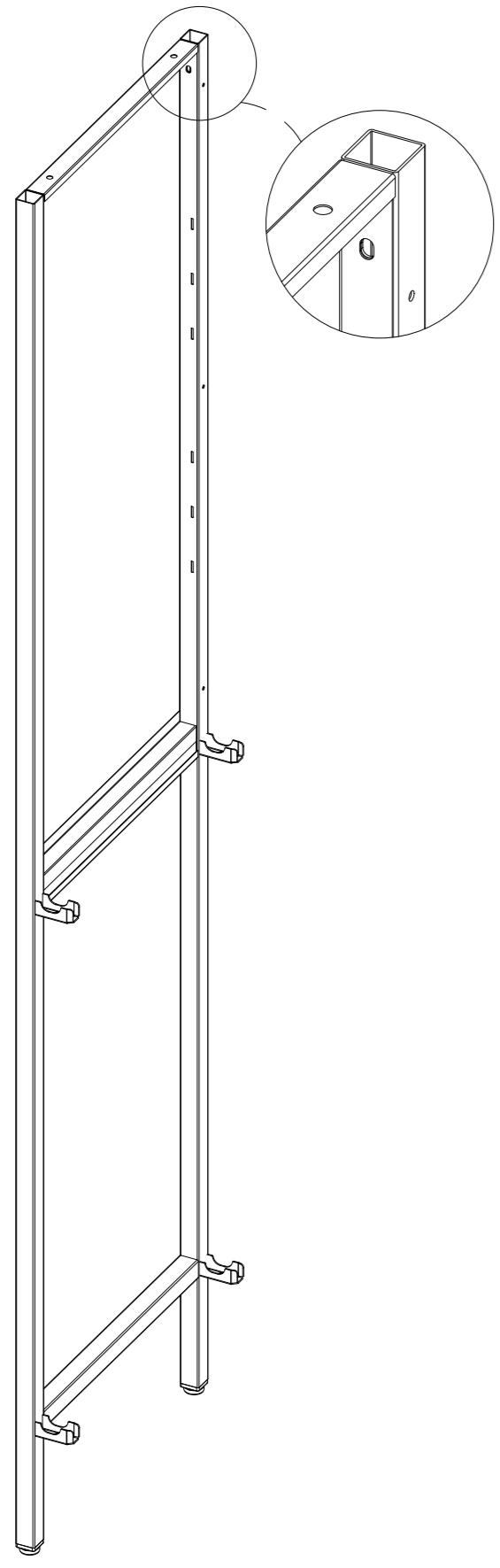


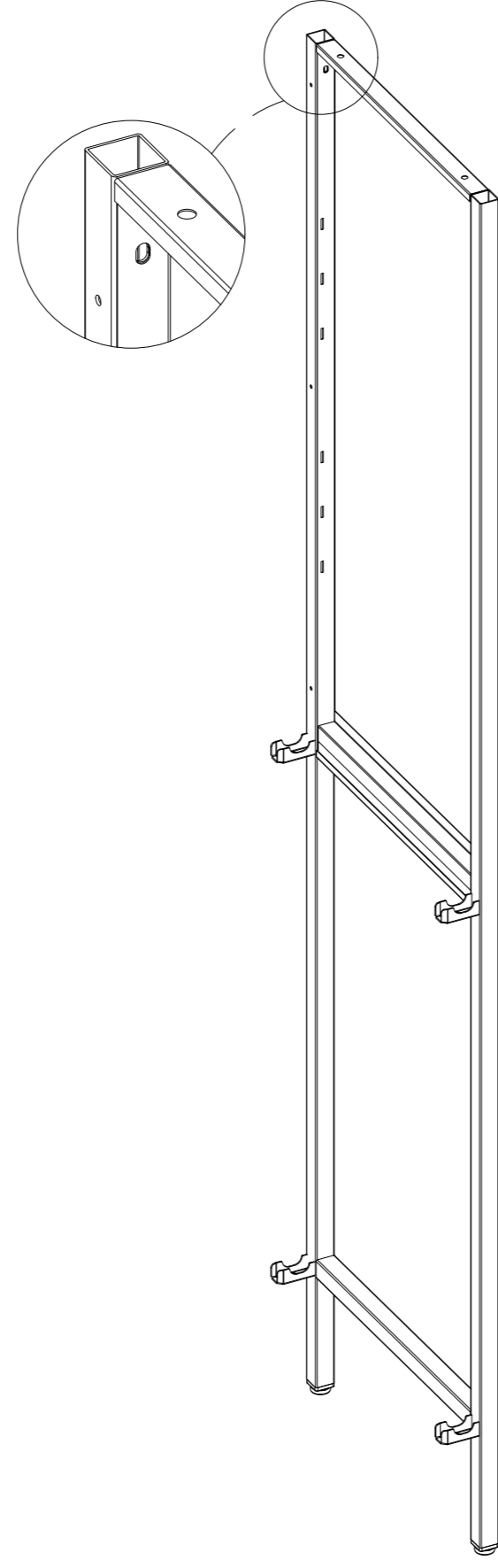
Installation video



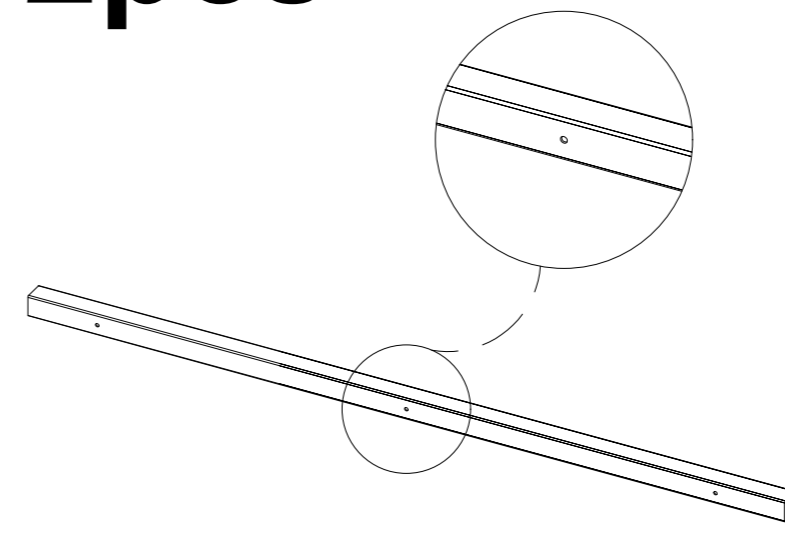
1×1pc



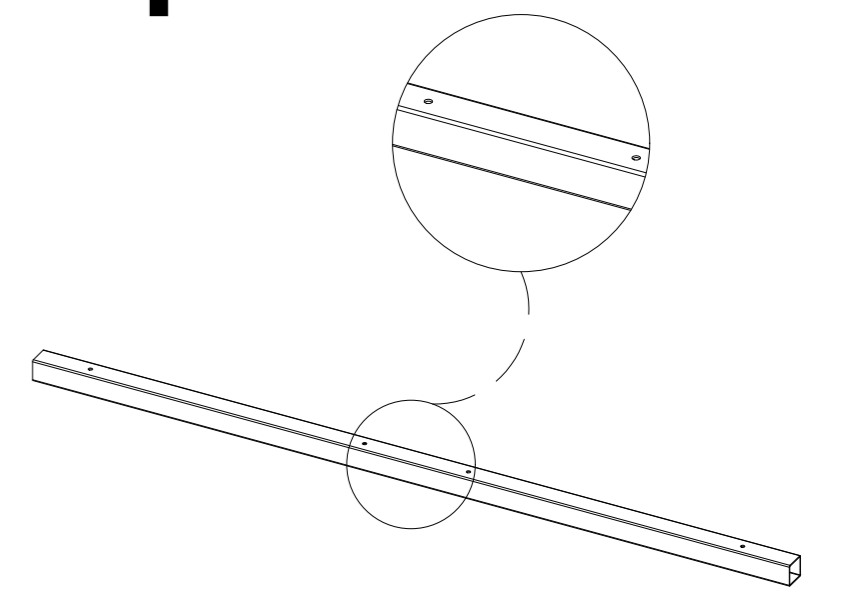
2×1pc



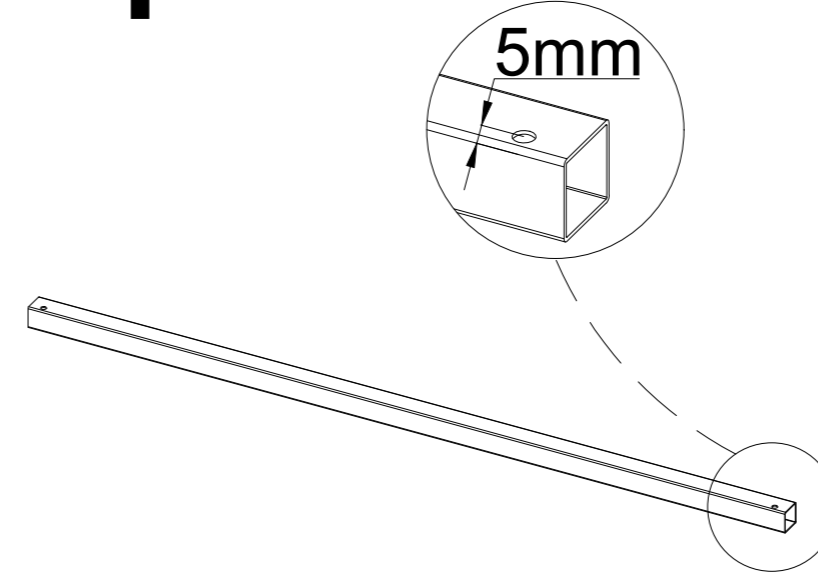
3×2pcs



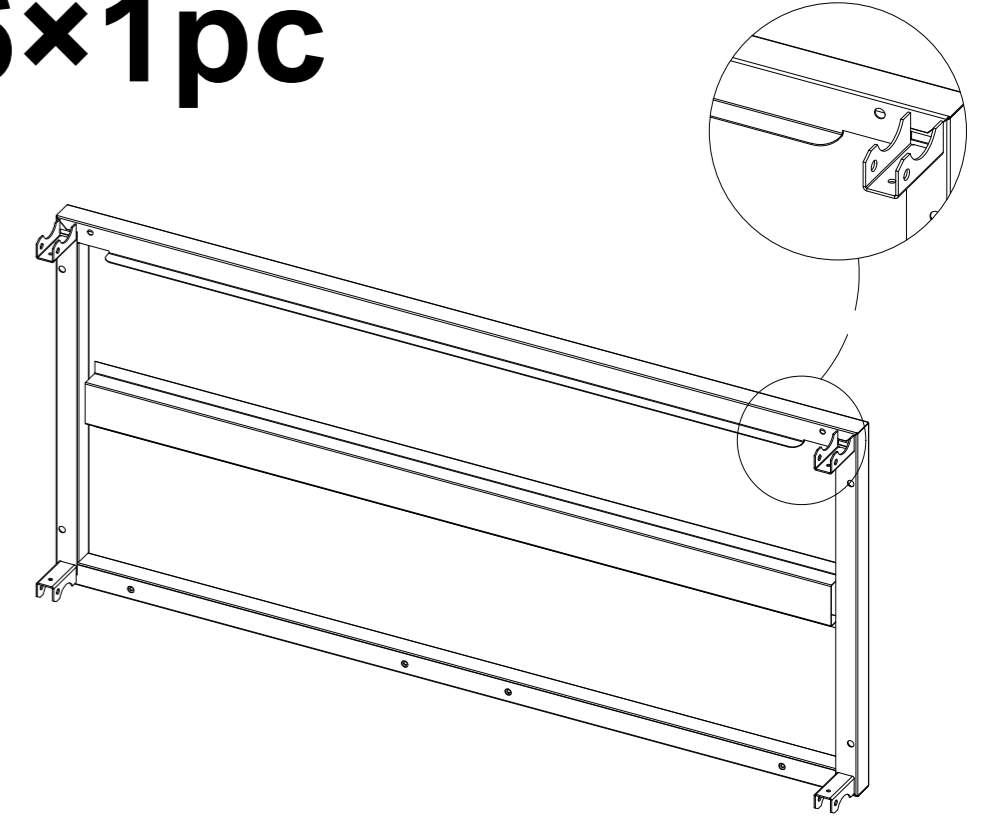
4×1pc



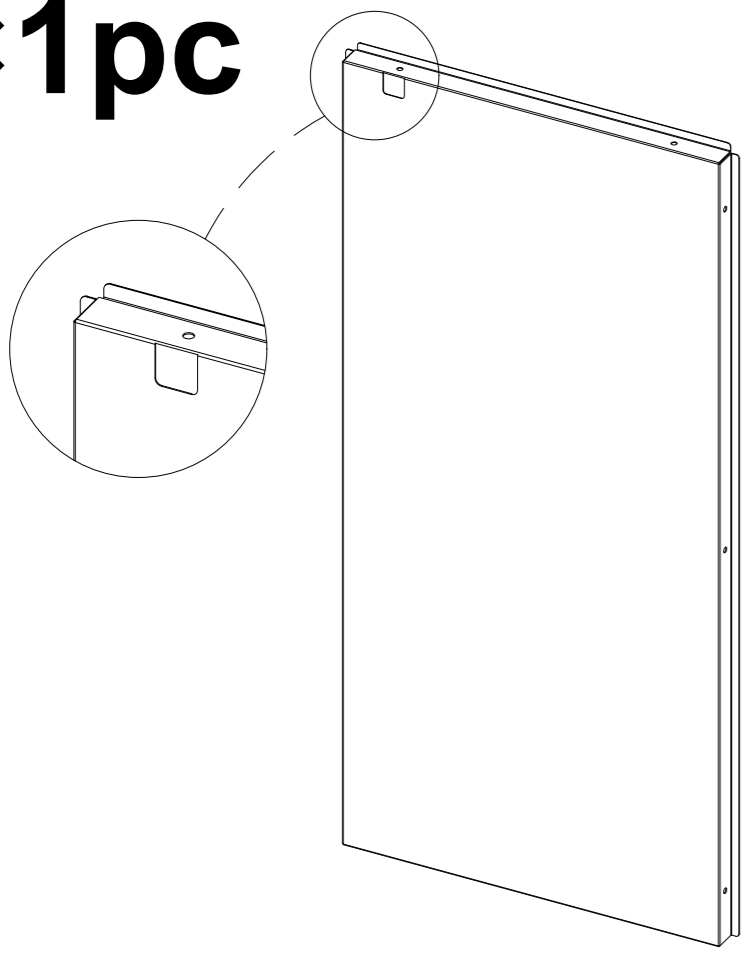
5×1pc



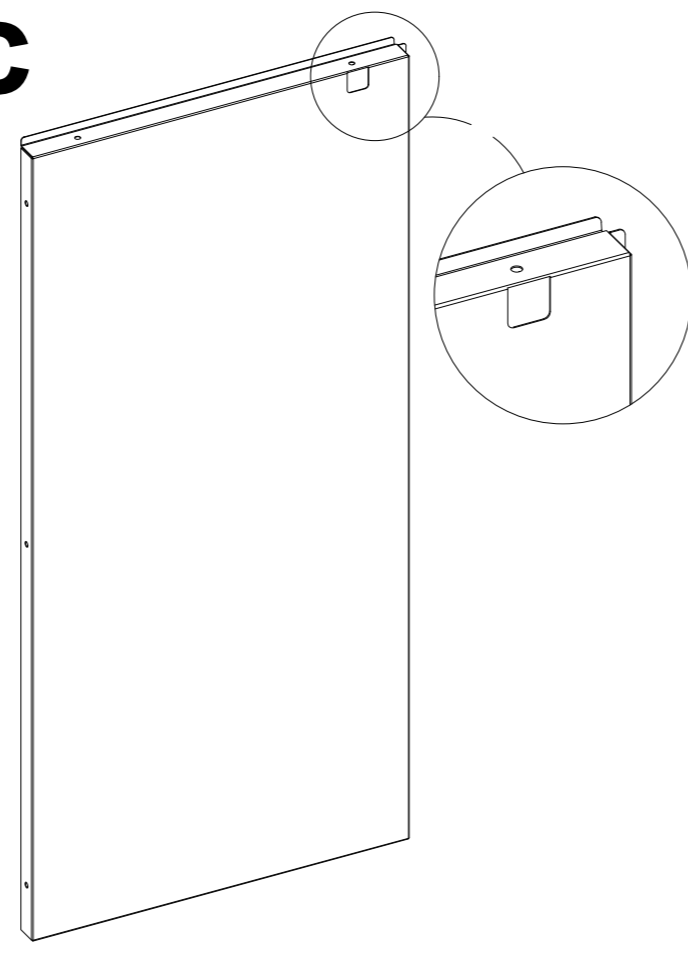
6×1pc



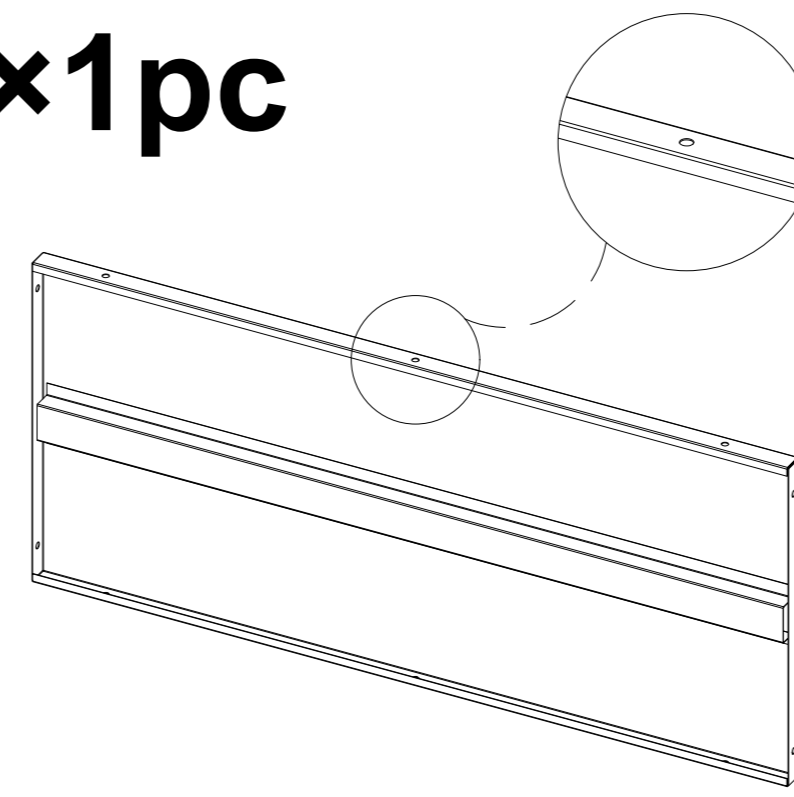
7×1pc



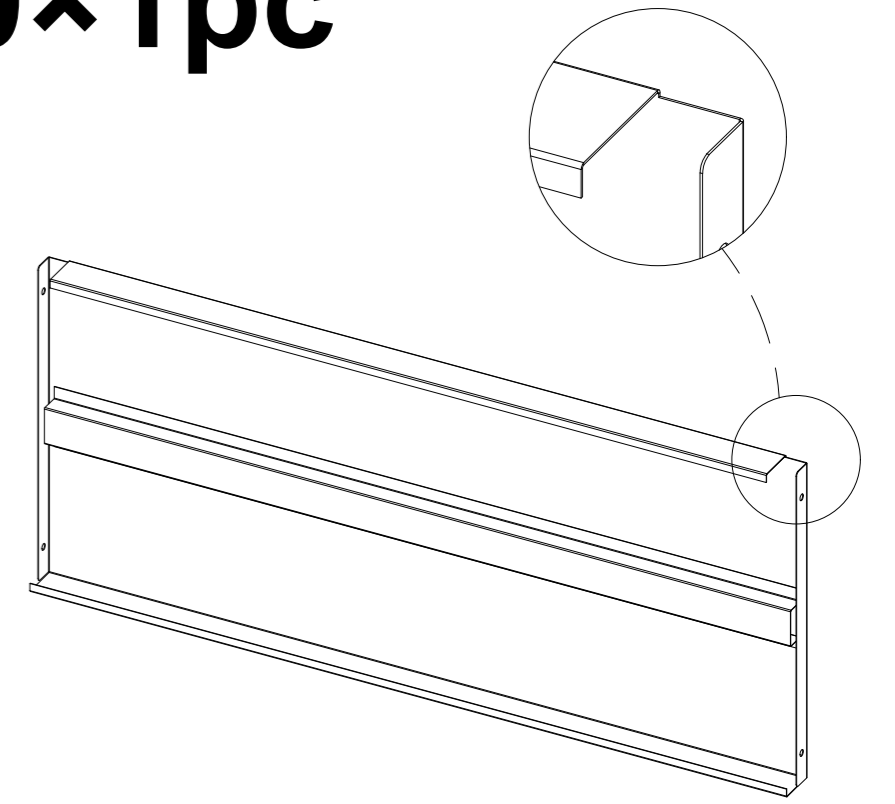
8×1pc



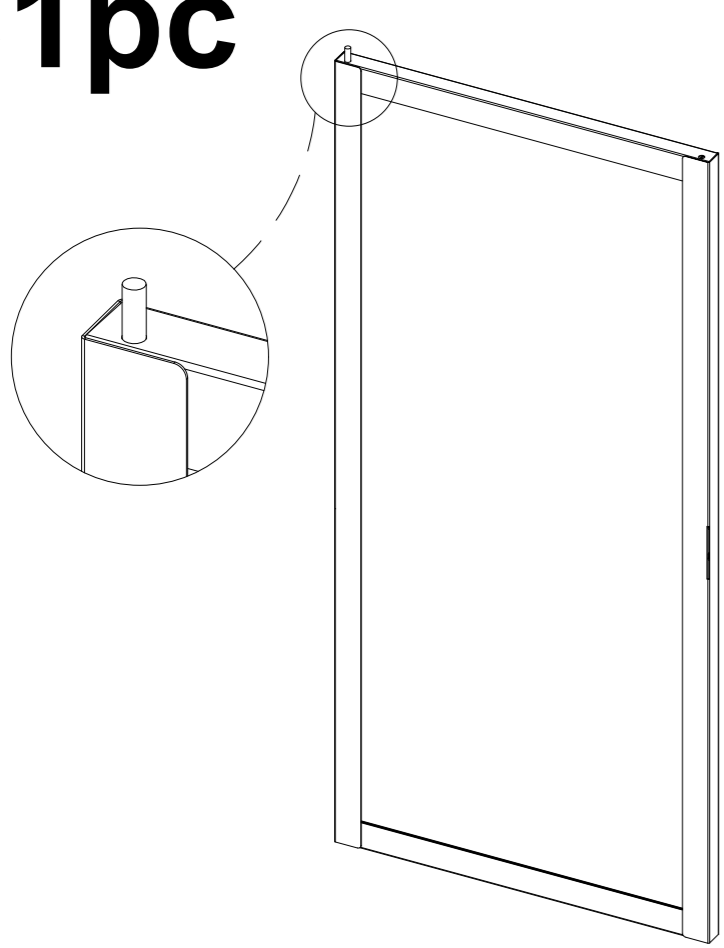
9×1pc



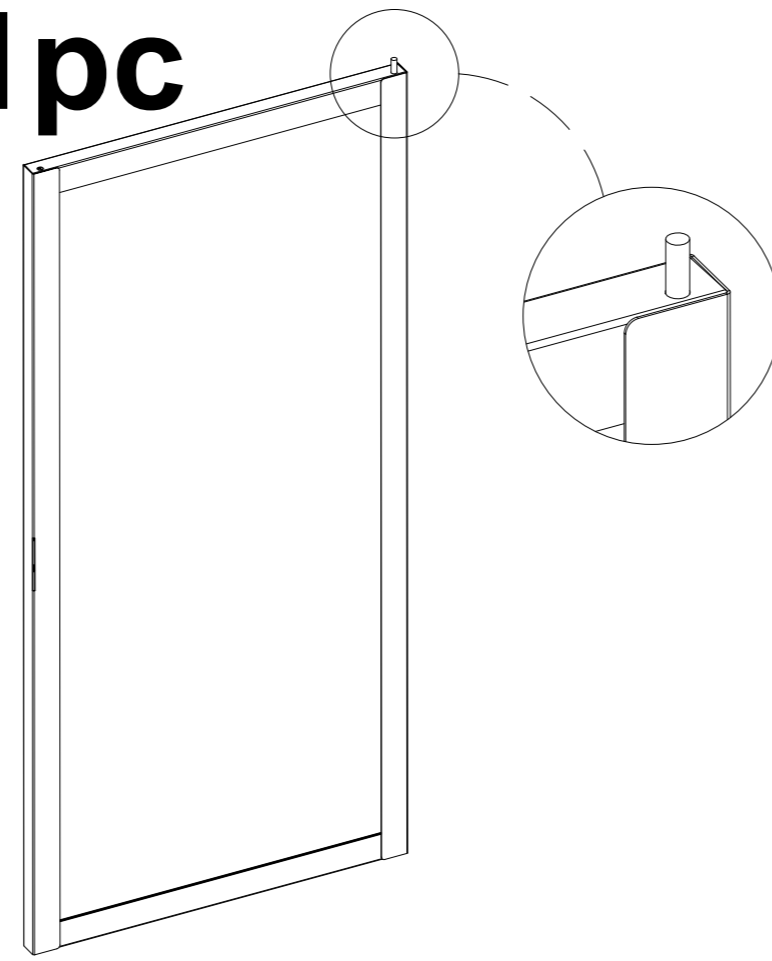
10×1pc



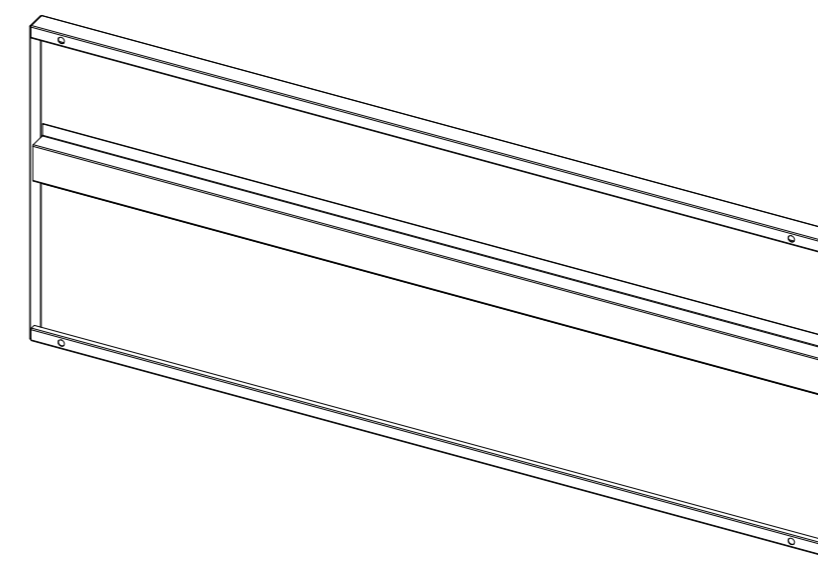
11×1pc



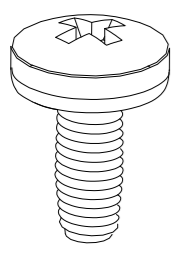
12×1pc



13×2pcs

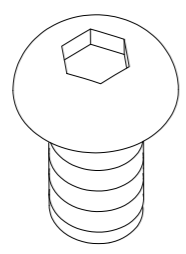


A×39pcs



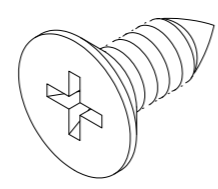
M4×8 mm

B×8pcs



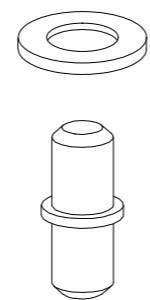
M6×10 mm

C×4pcs



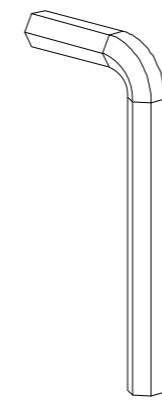
M3×10 mm

D×2pcs



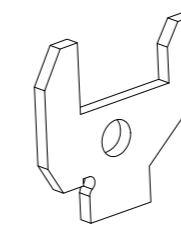
Ø4.8×22 mm

E×1pc

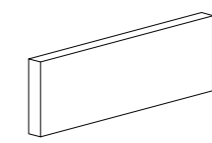
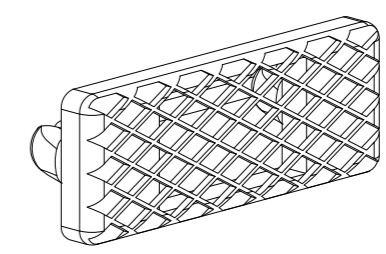


4 mm

F×8pcs



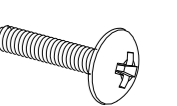
G×4pcs



H×2pcs

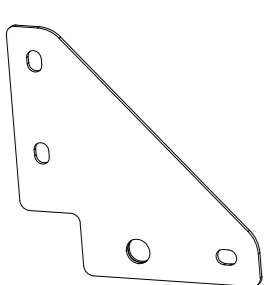


M8

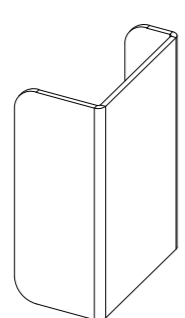


M5×40 mm

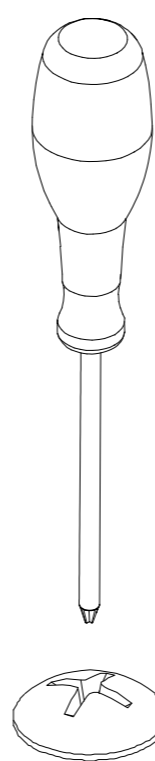
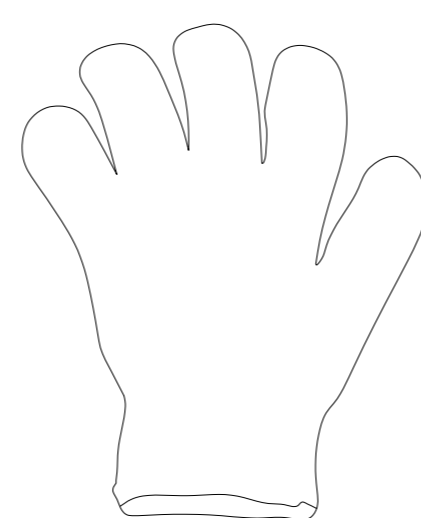
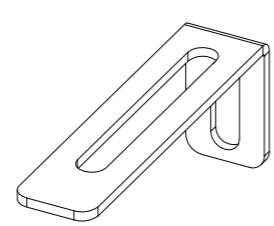
I×4pcs

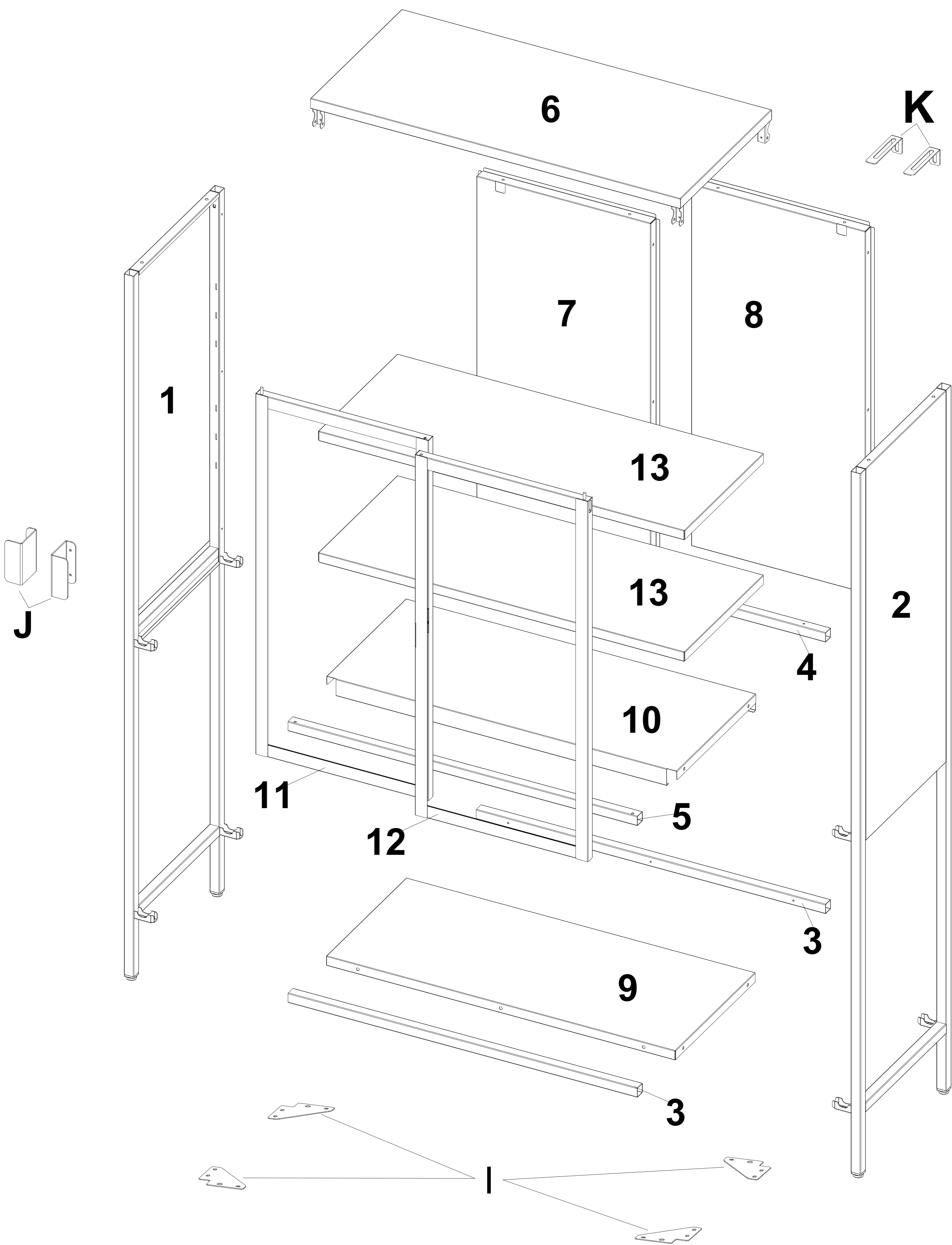


J×2pcs

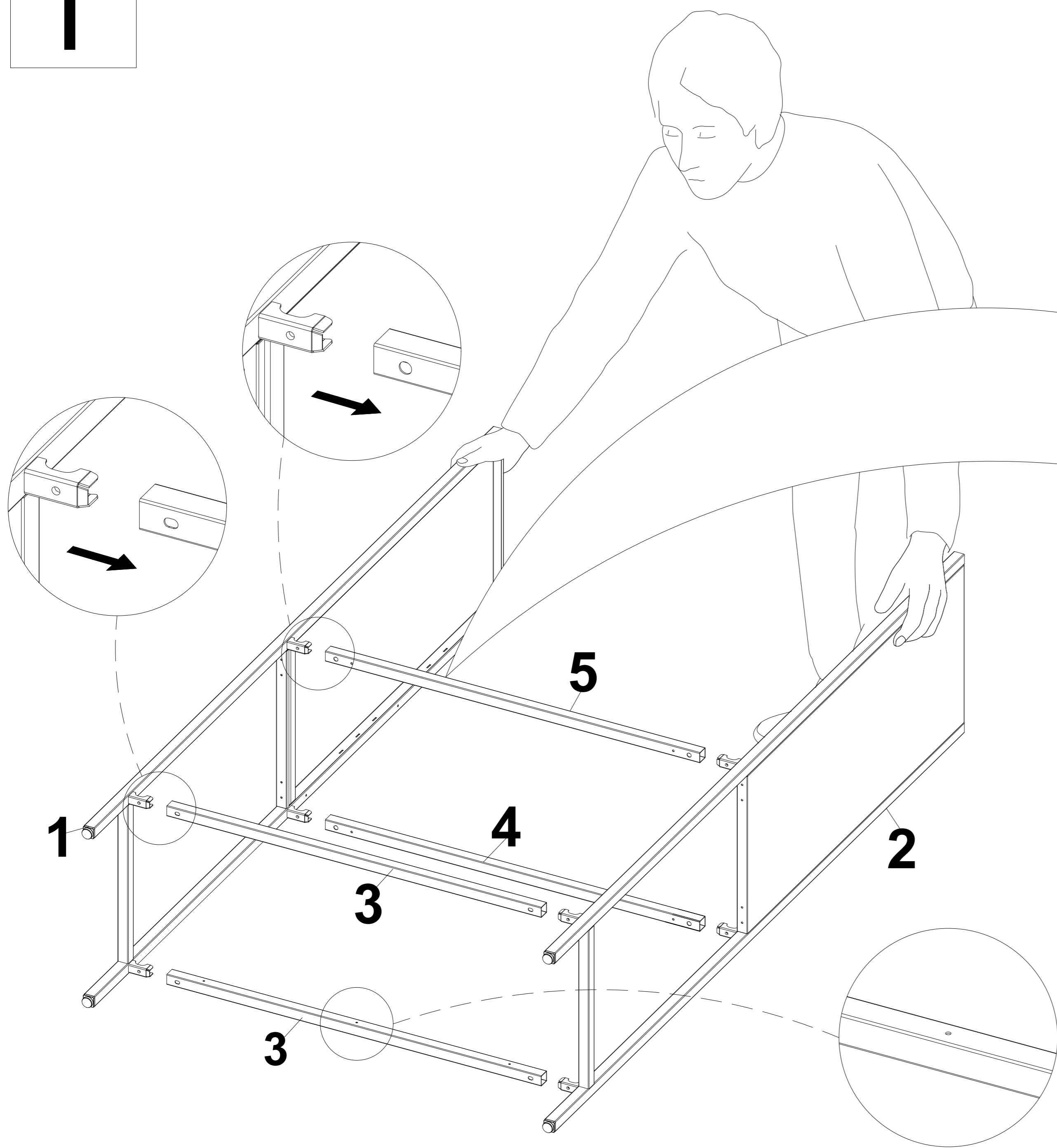


K×2pcs

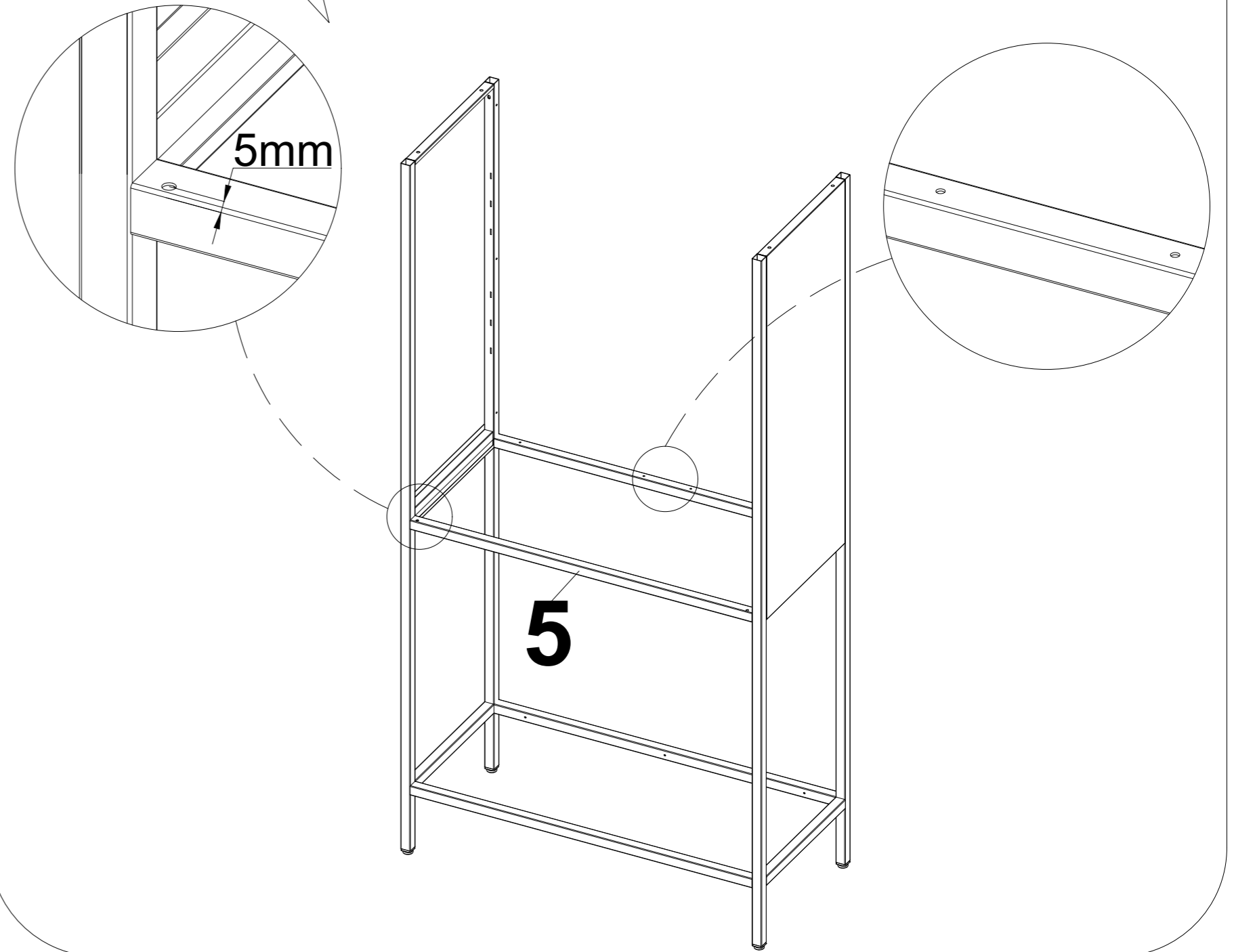




1

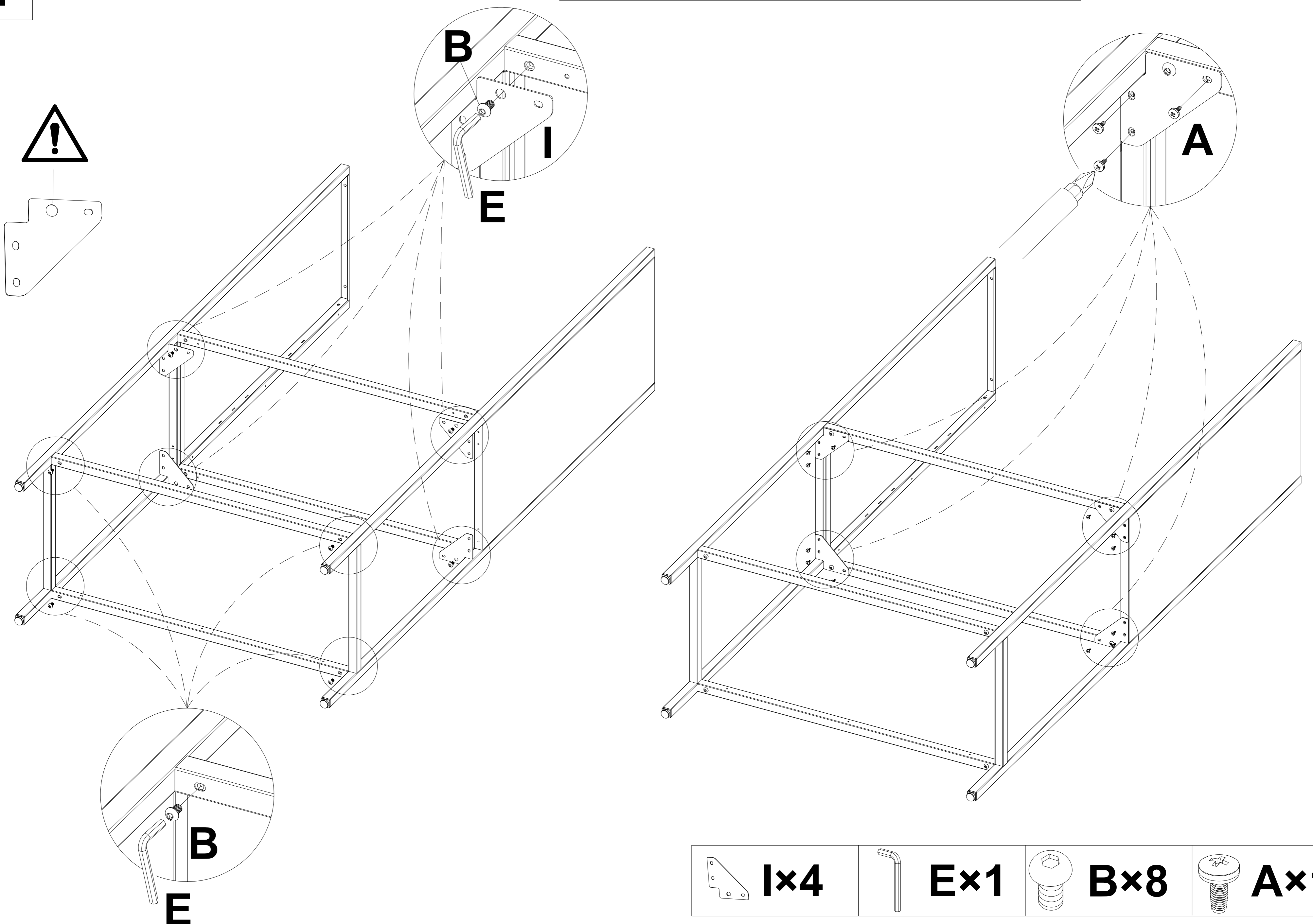


Please note that the position of this hole is on the outer side. When installing, distinguish the front and back, left and right directions of the 5th pipe.



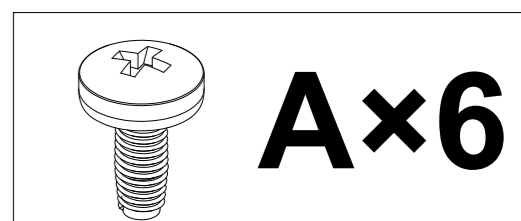
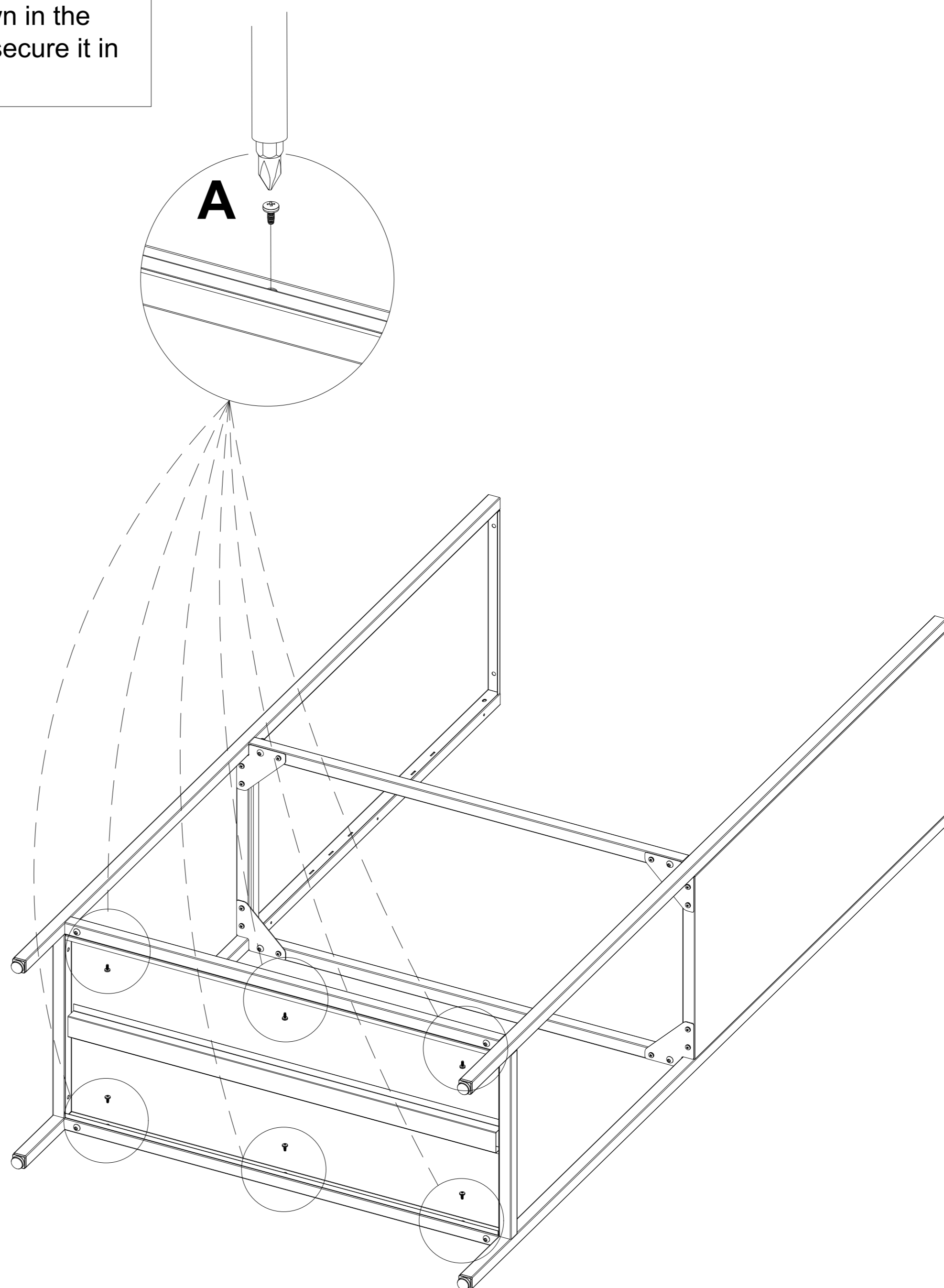
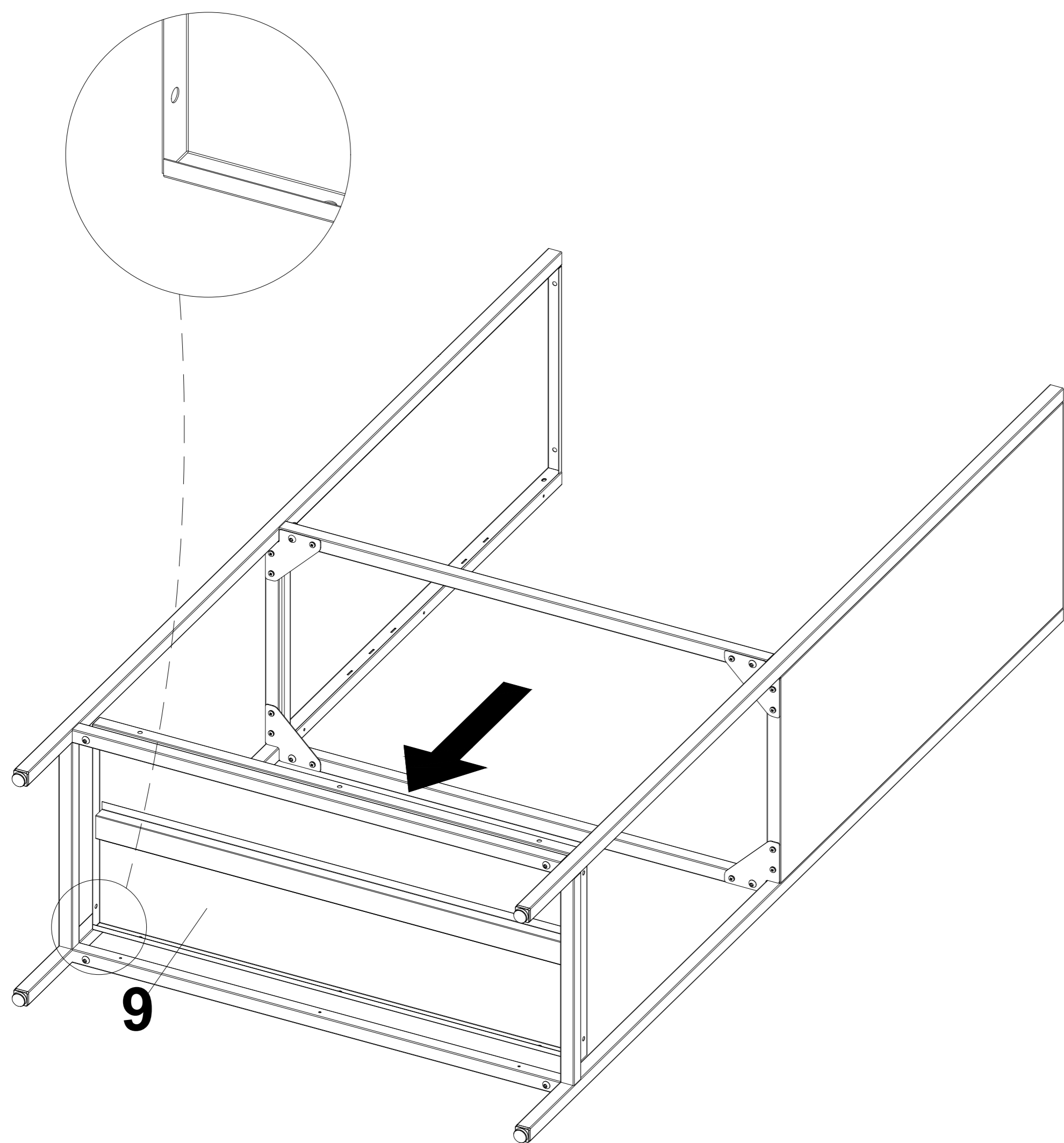
2

Please align the round hole on the triangular piece with the largest hole on the pipe, and secure it with screw B before installing it with screw A.



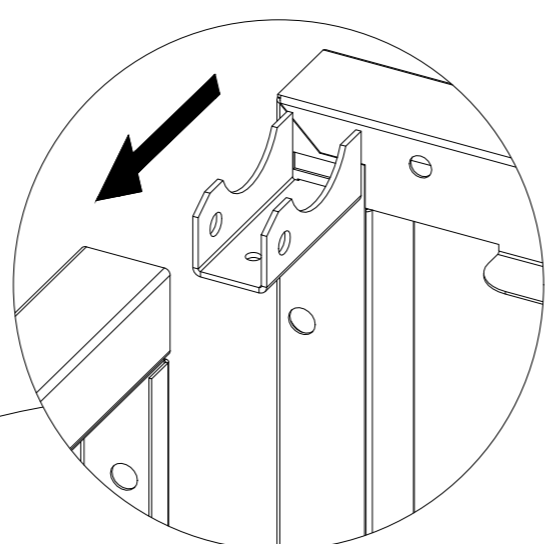
3

Install component No.9 in the direction shown in the diagram to the specified position, and then secure it in place with screw A.

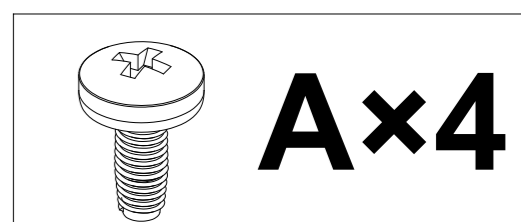
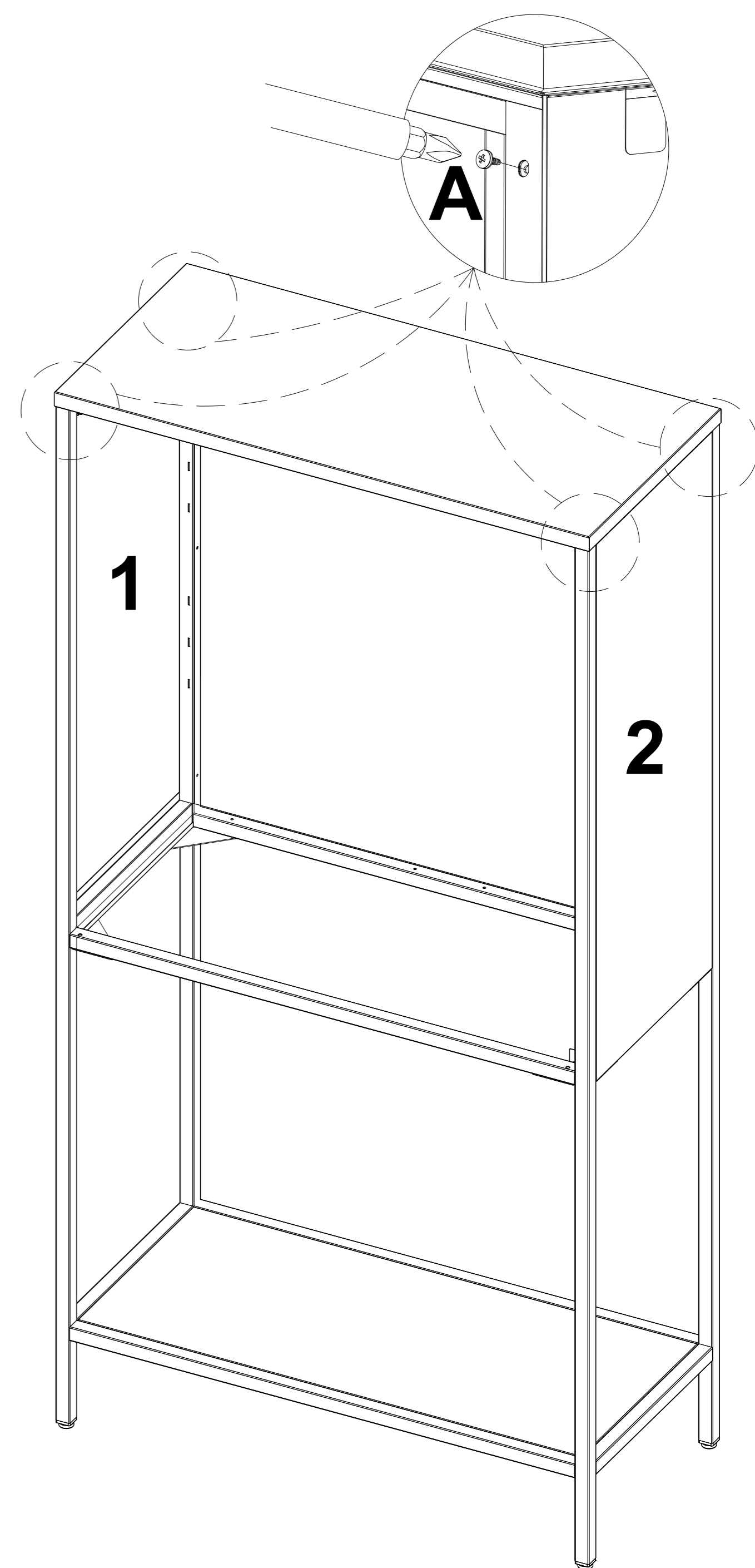
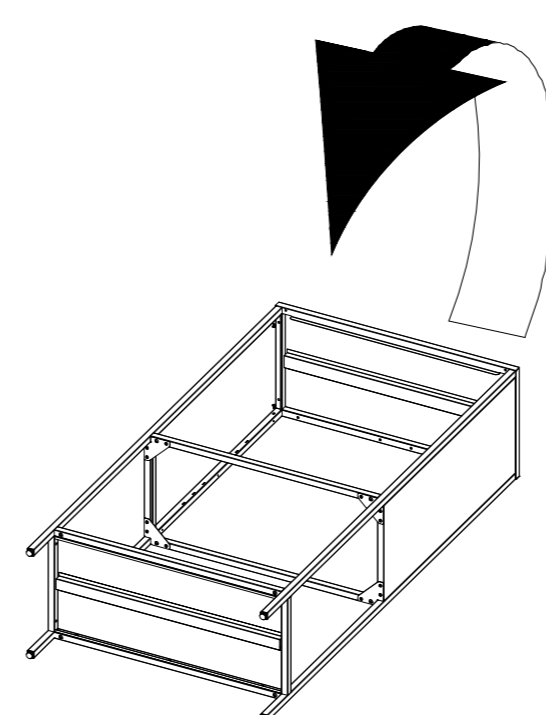
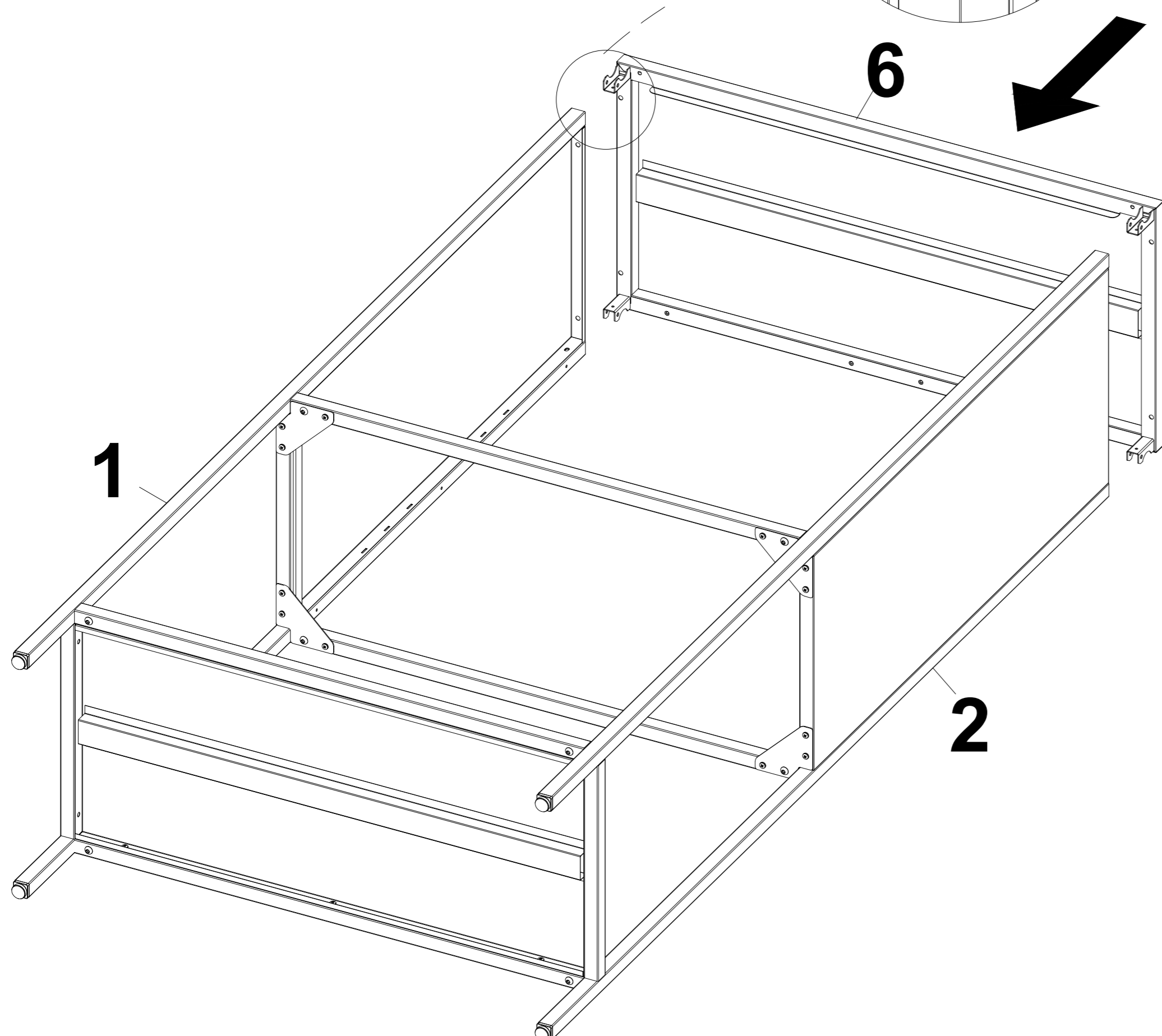


4

After installing component number 6, you can firmly tap the four corners of the component to reduce the gap between component number 6 and the cabinet.

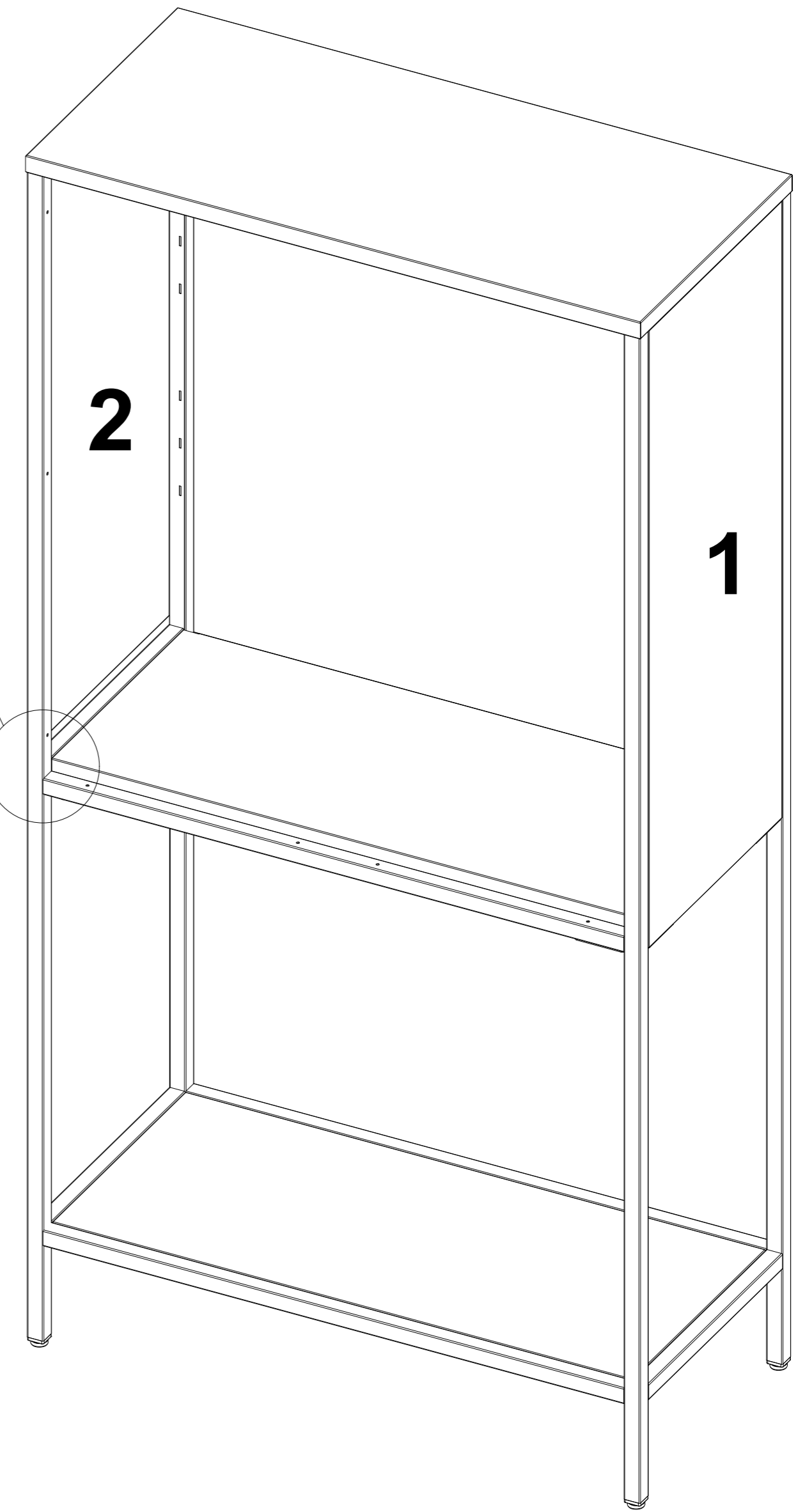
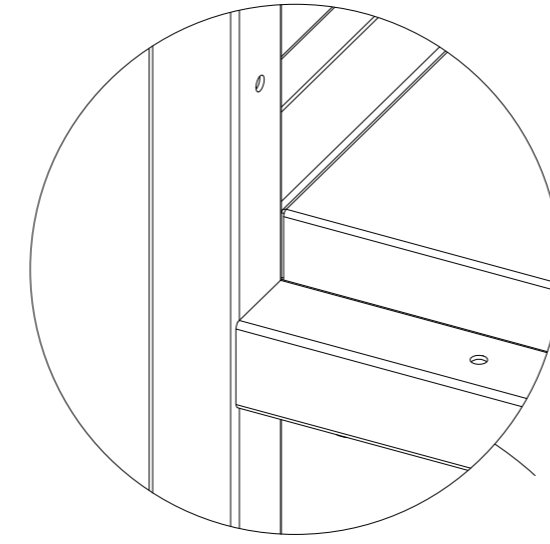
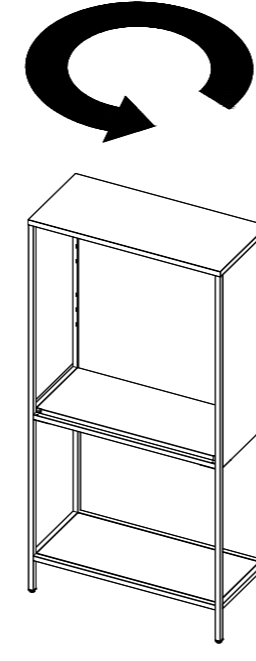
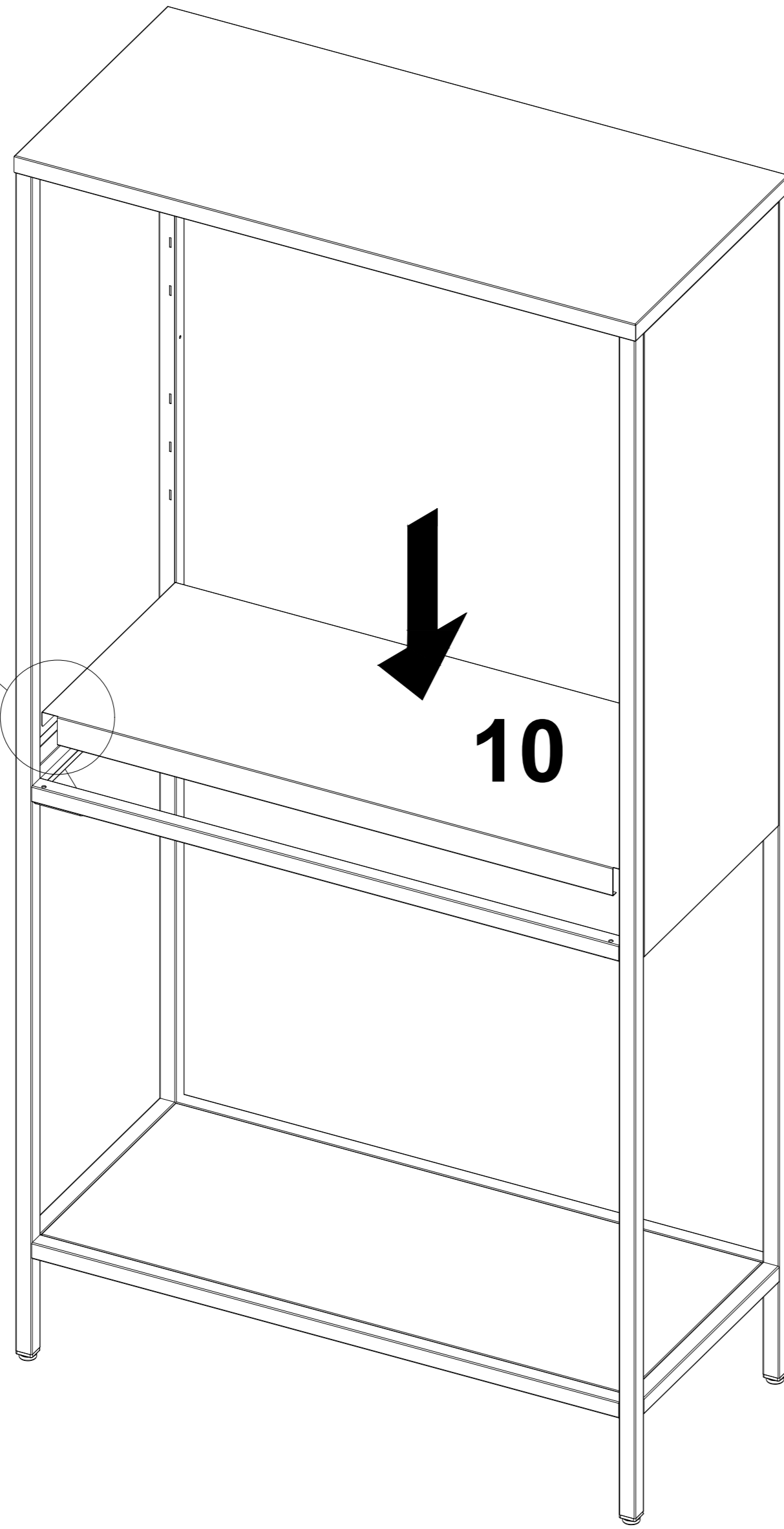
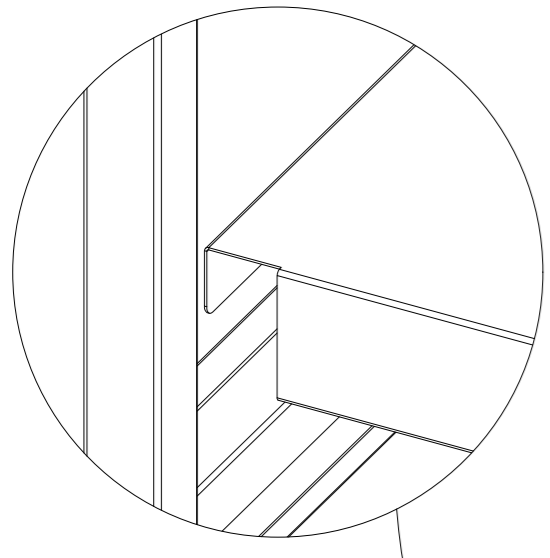


6

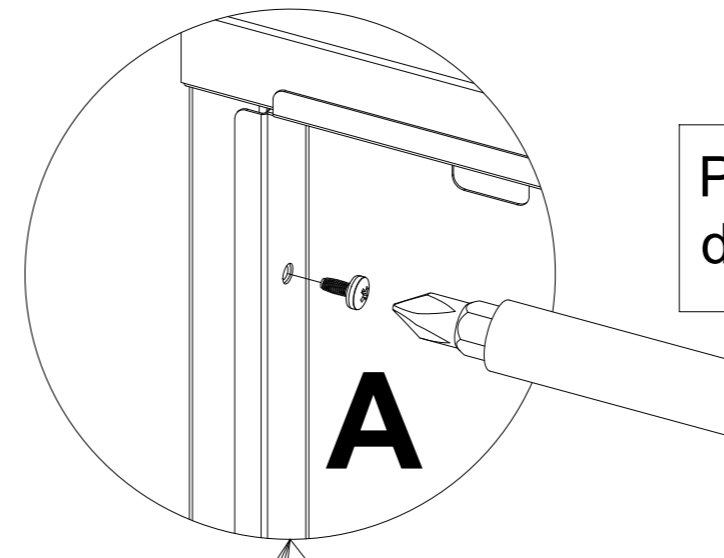
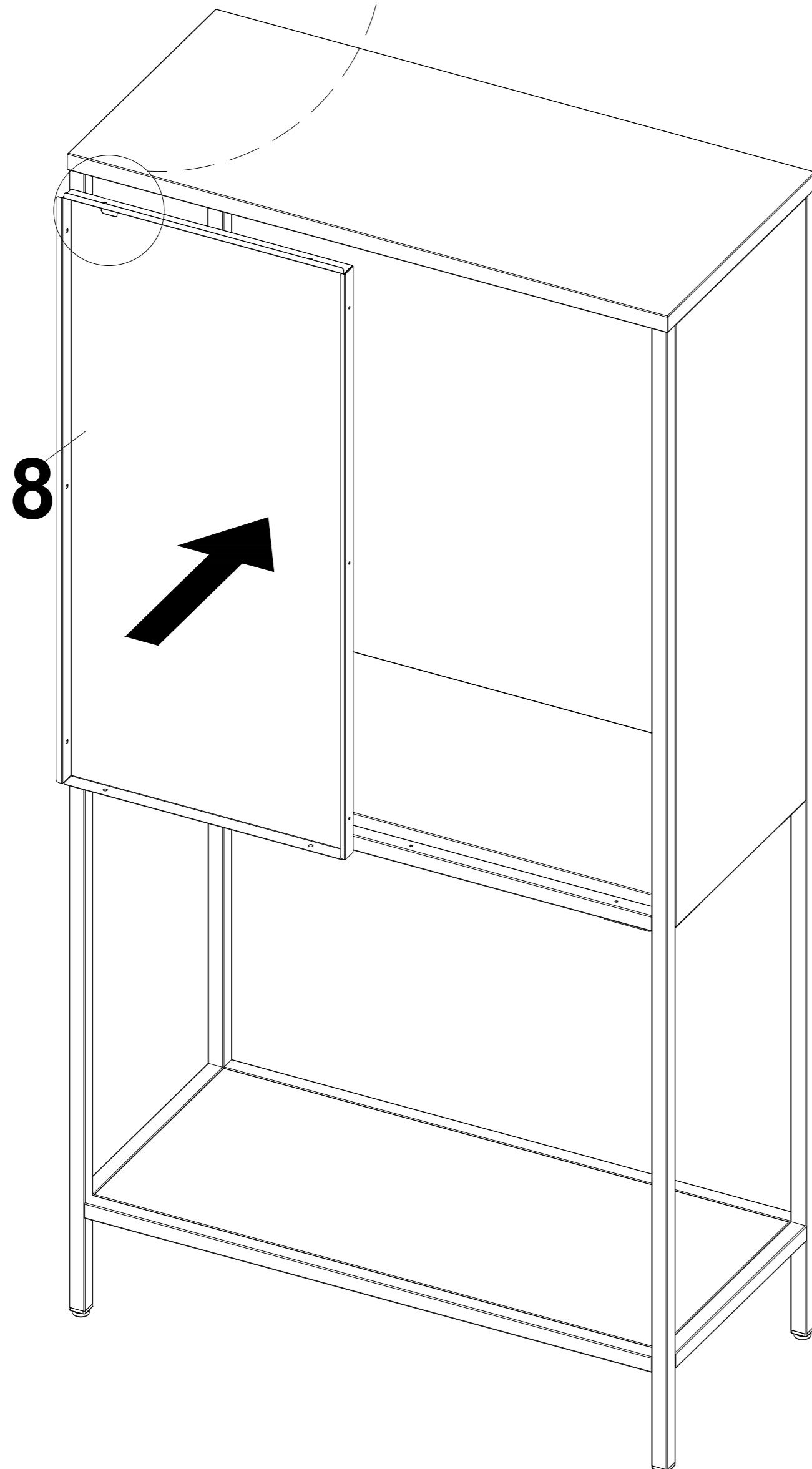
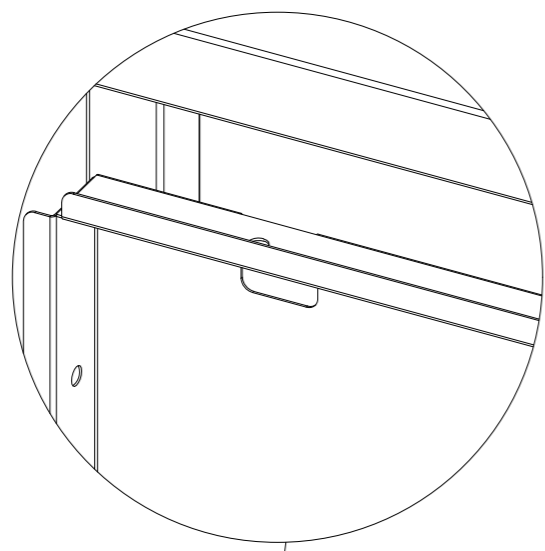


5

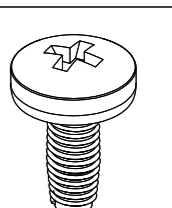
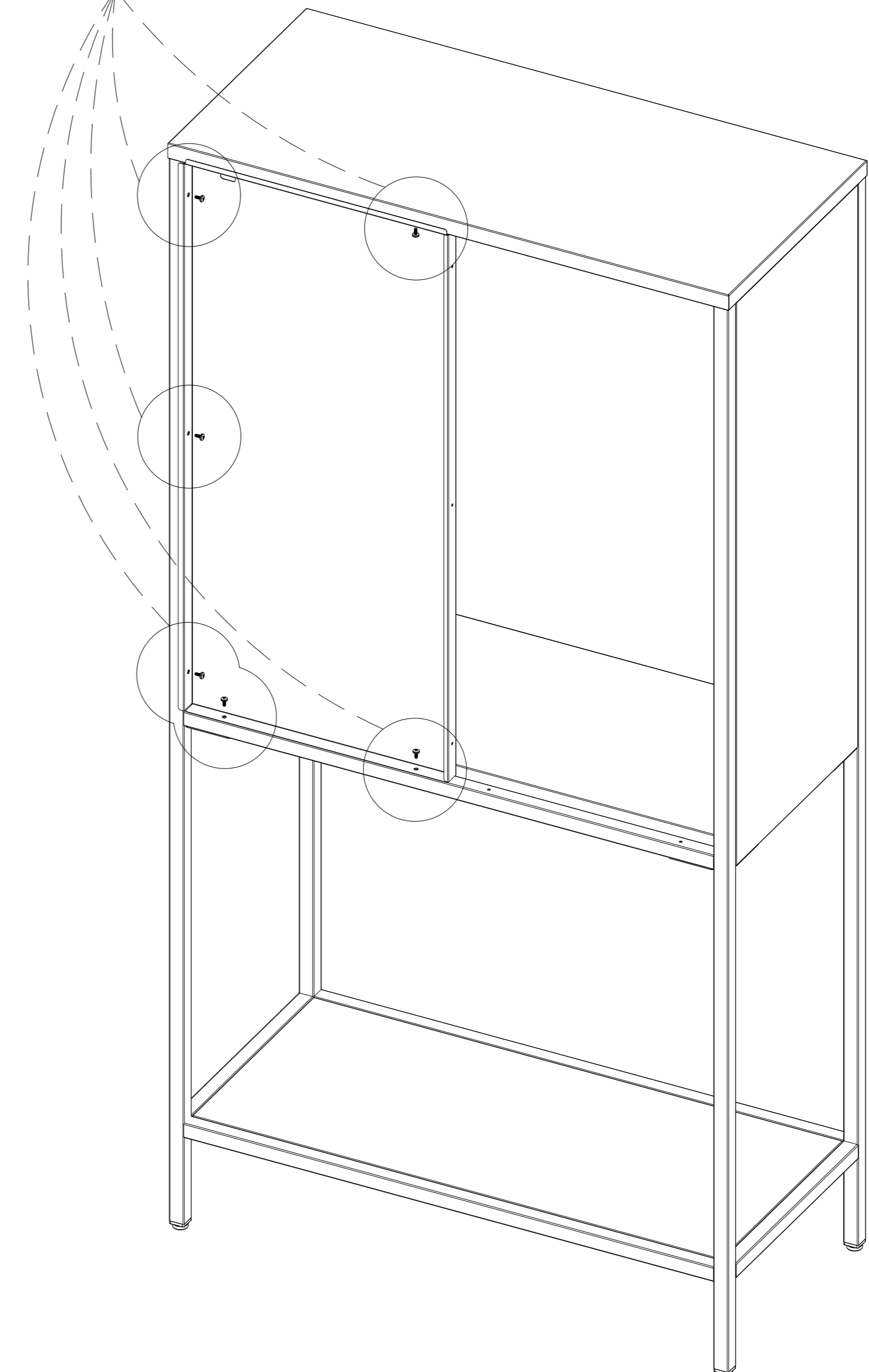
After installing component number 10 in the indicated direction as shown in the diagram, rotate the cabinet 180 degrees.



6



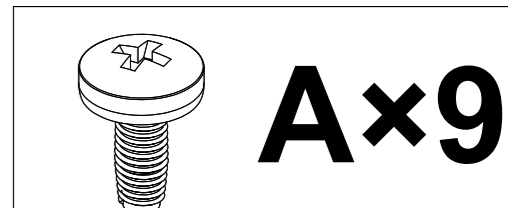
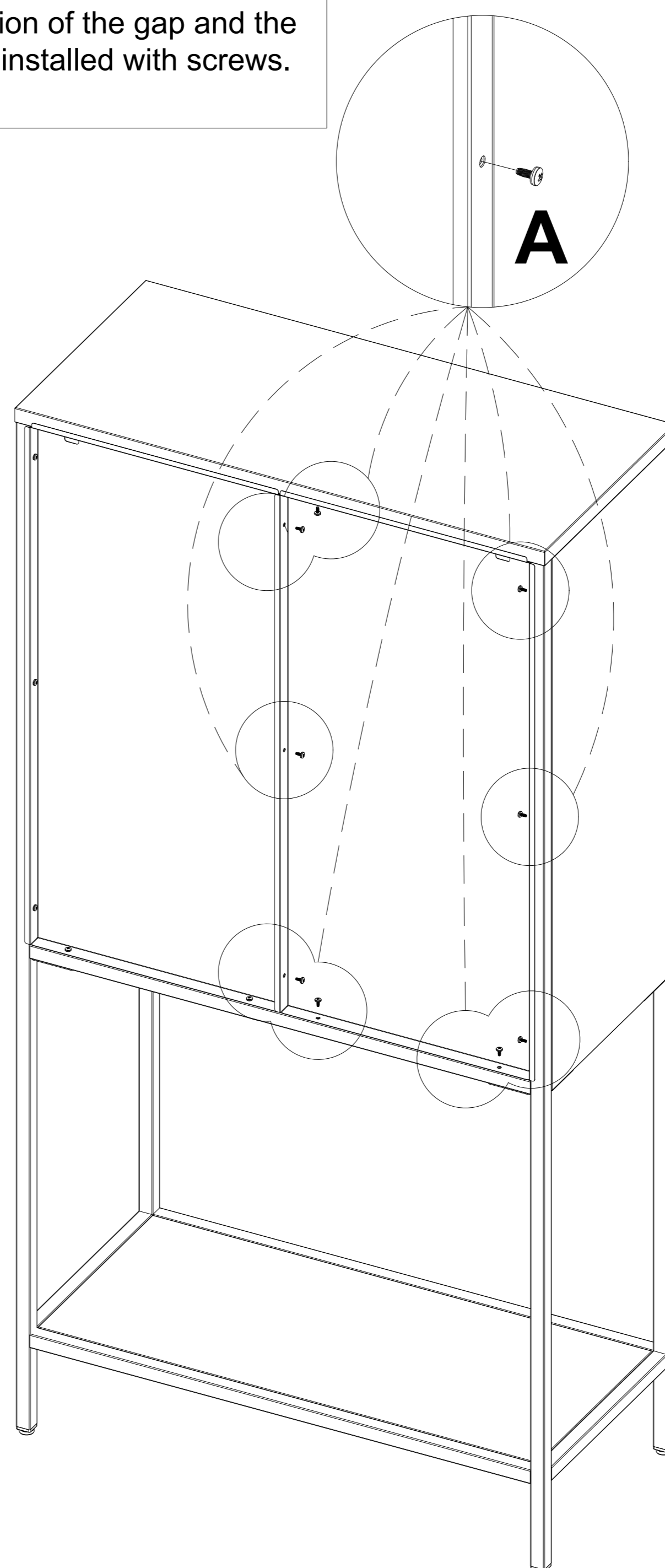
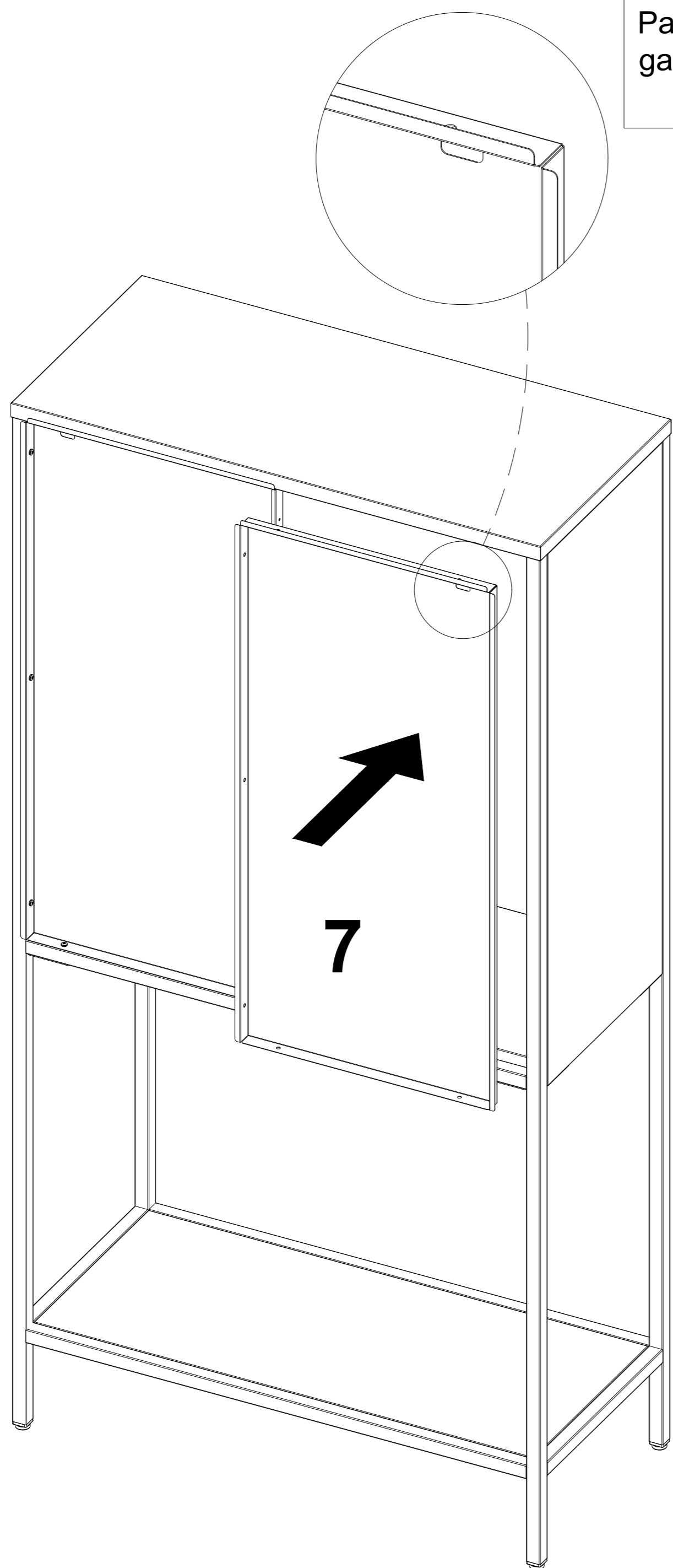
Pay attention to the position of the gap and the gap does not need to be installed with screws.



A×6

7

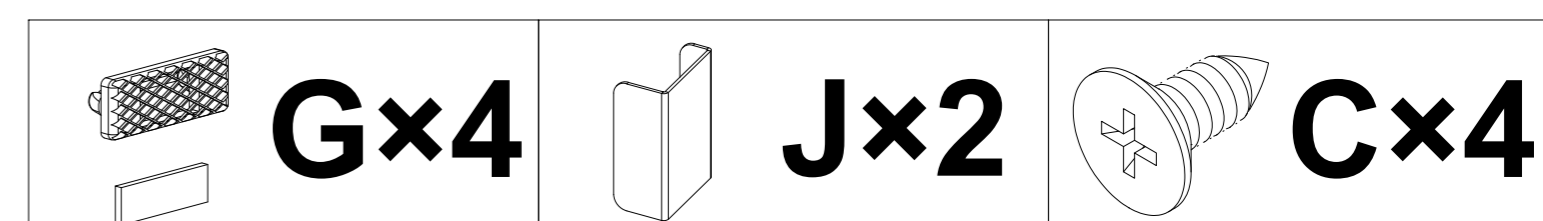
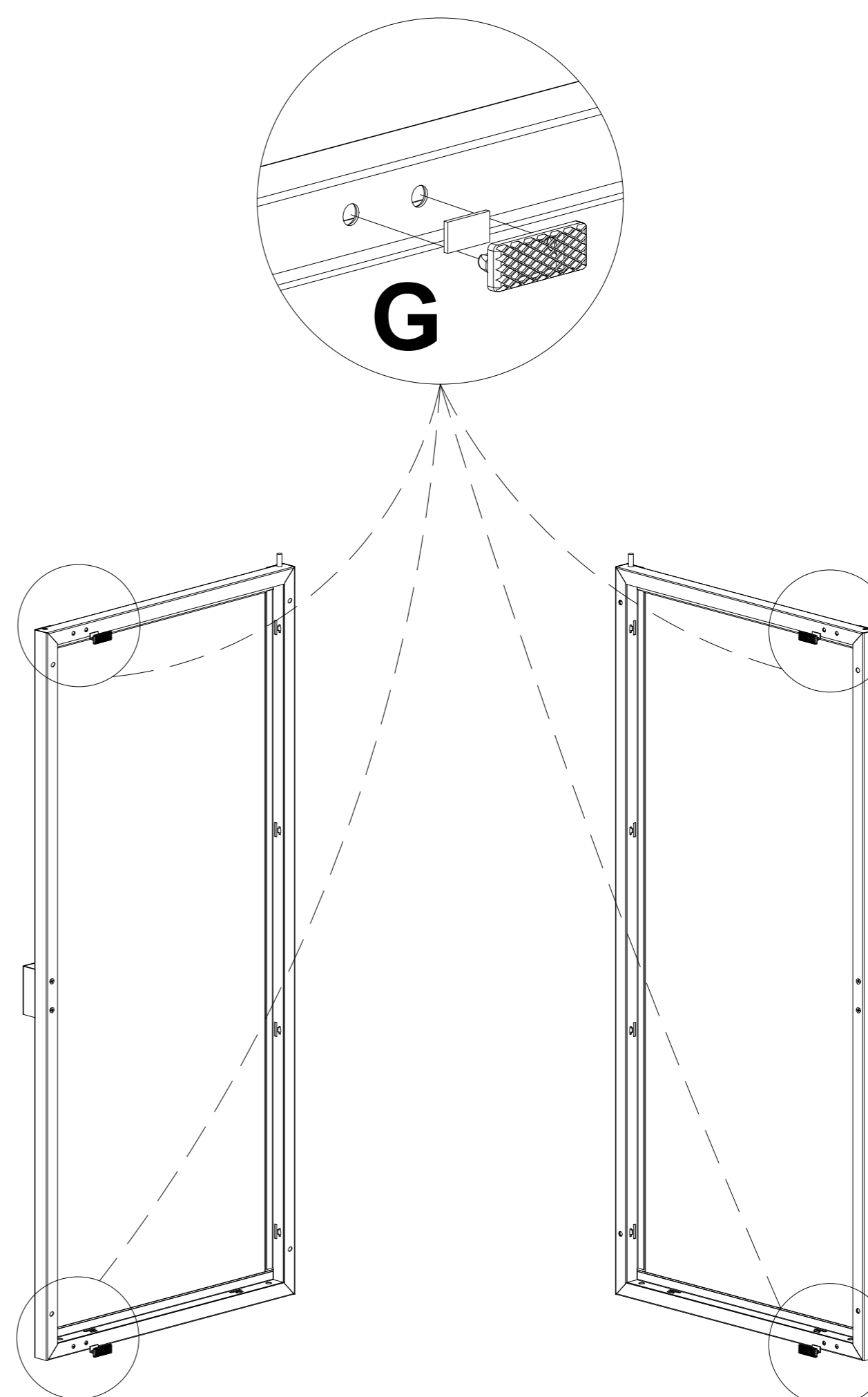
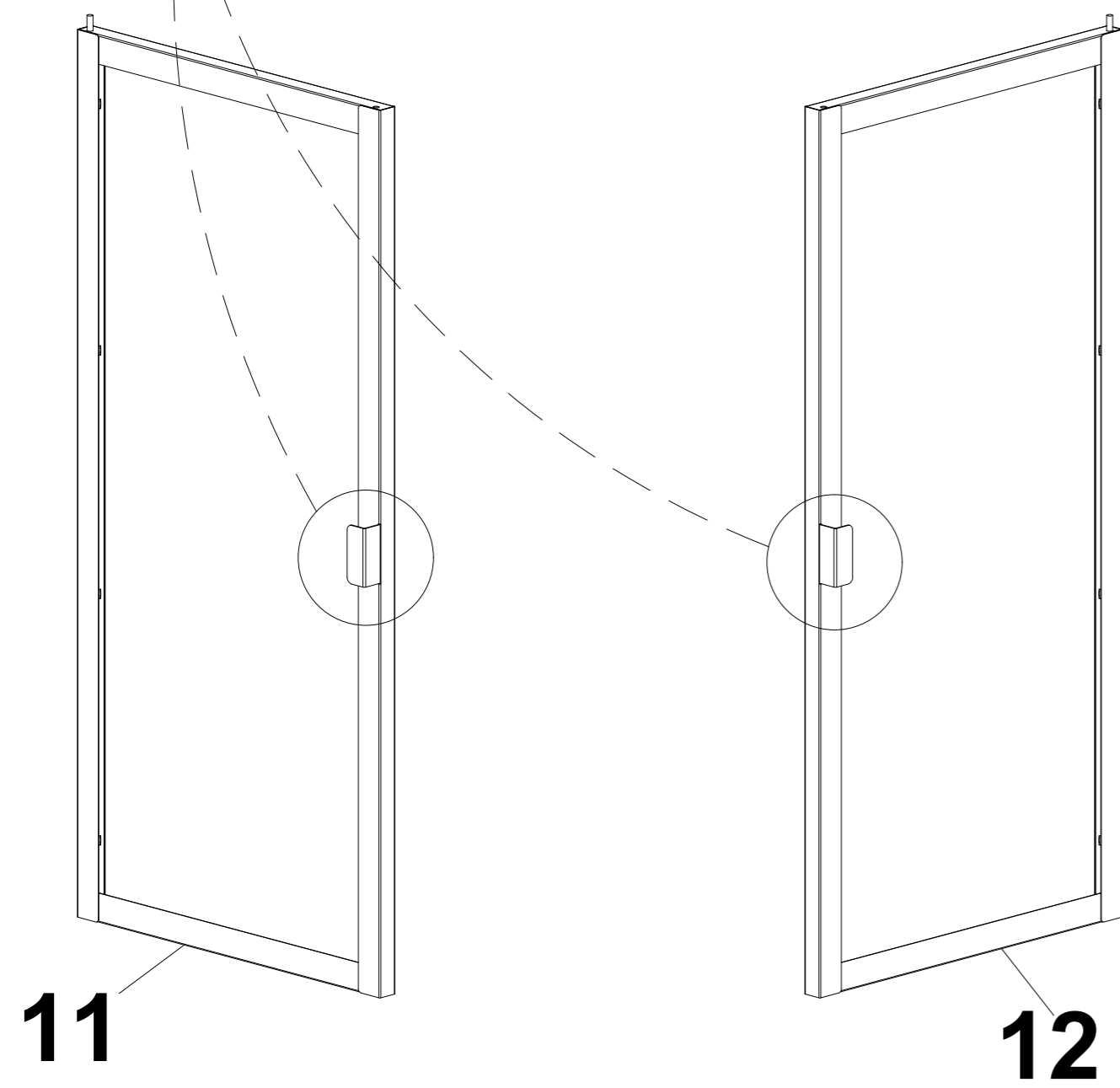
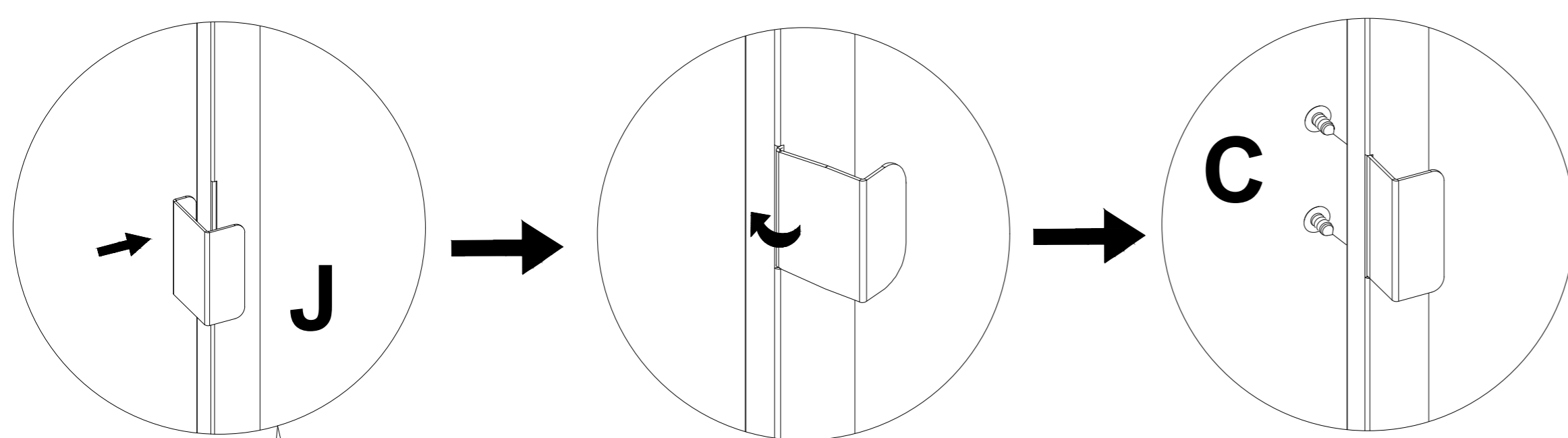
Pay attention to the position of the gap and the gap does not need to be installed with screws.



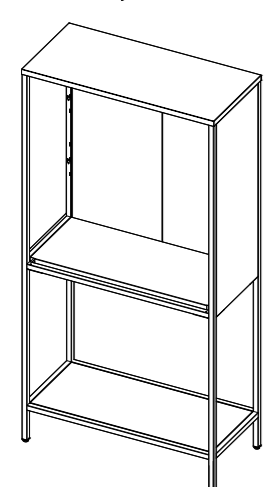
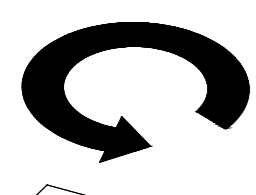
8

Please install the two door handles in order according to the installation steps.

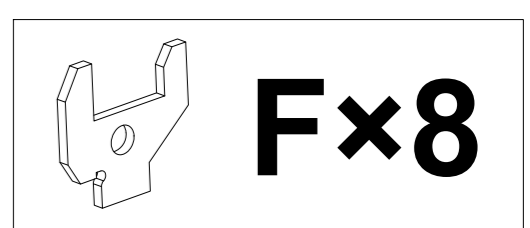
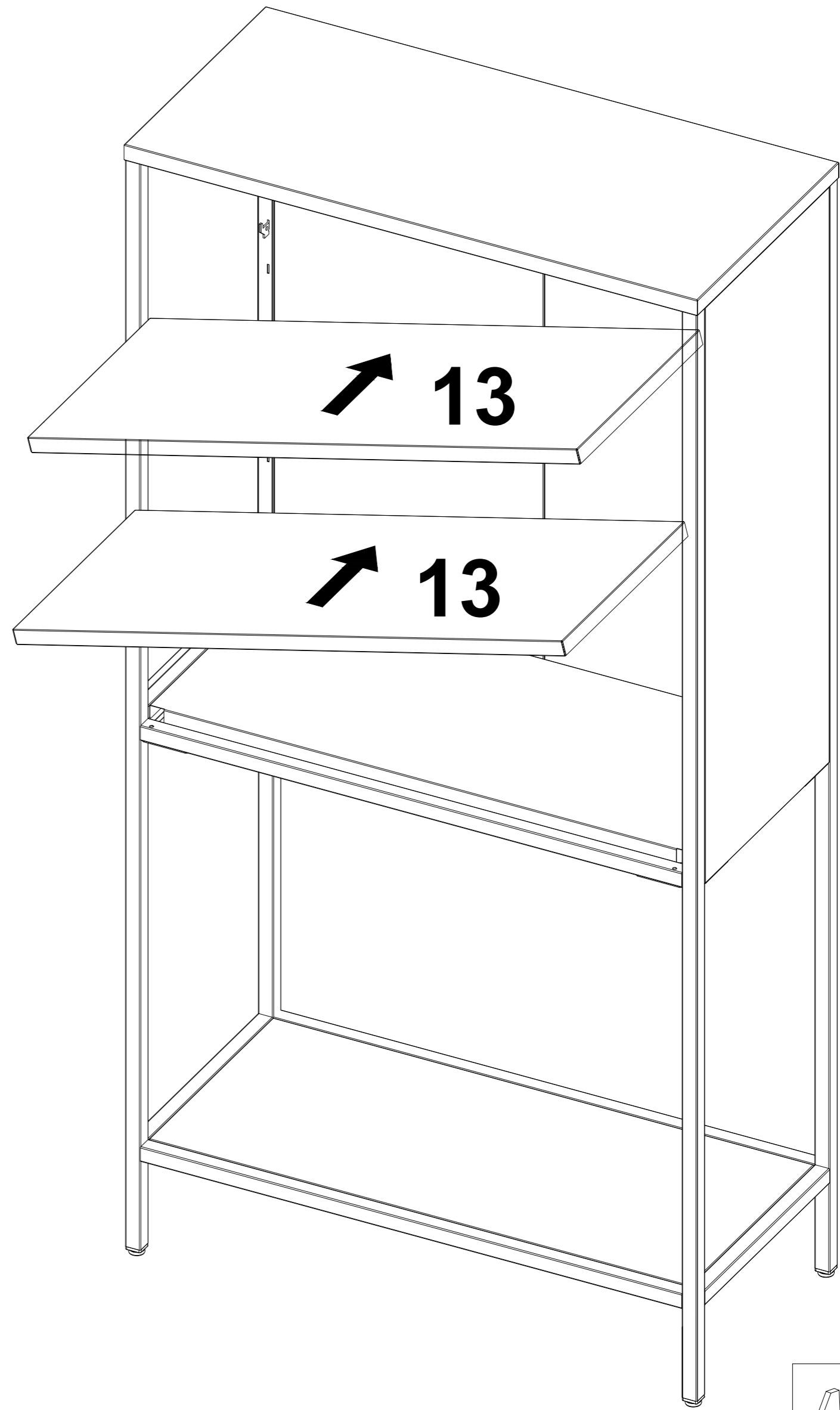
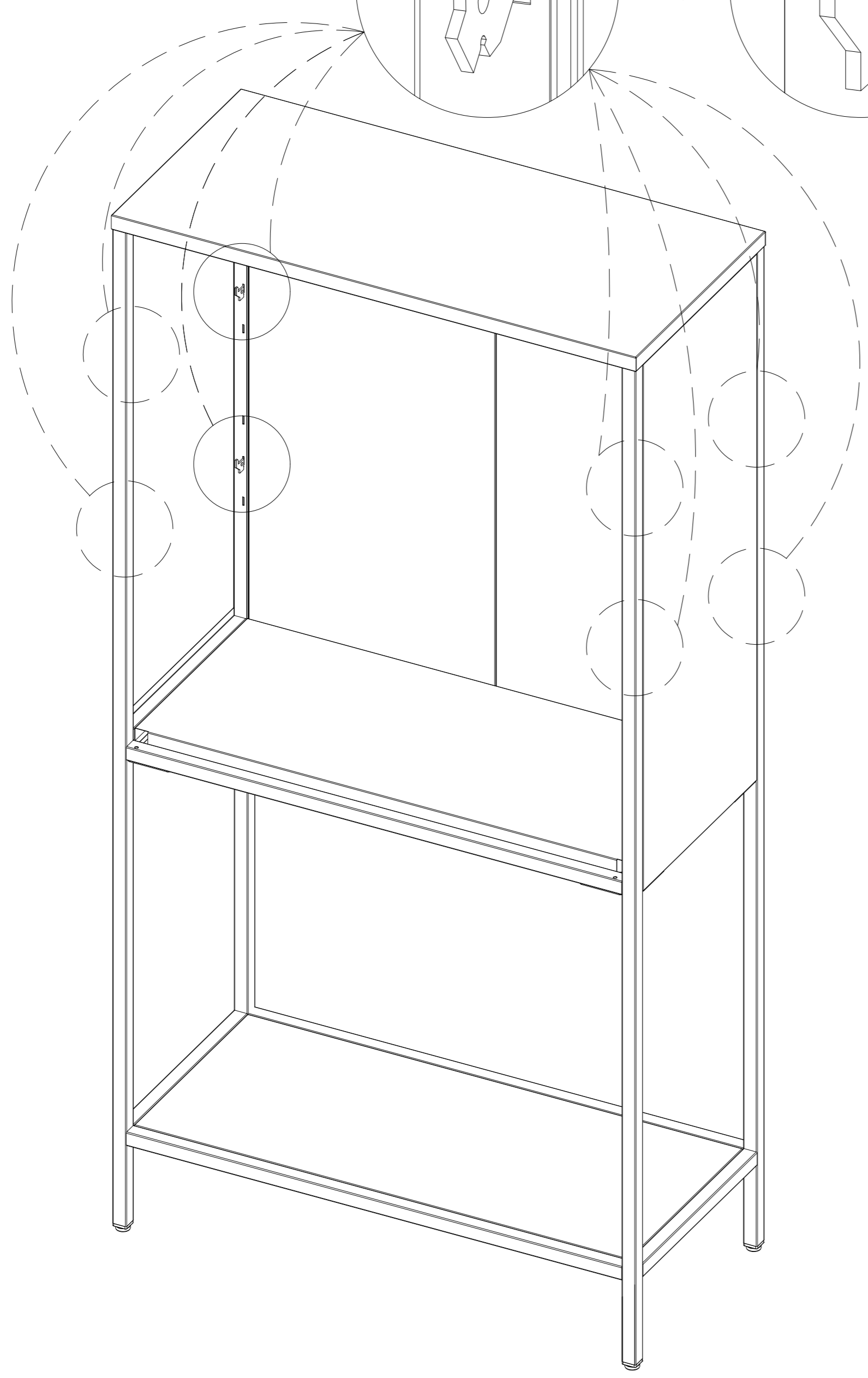
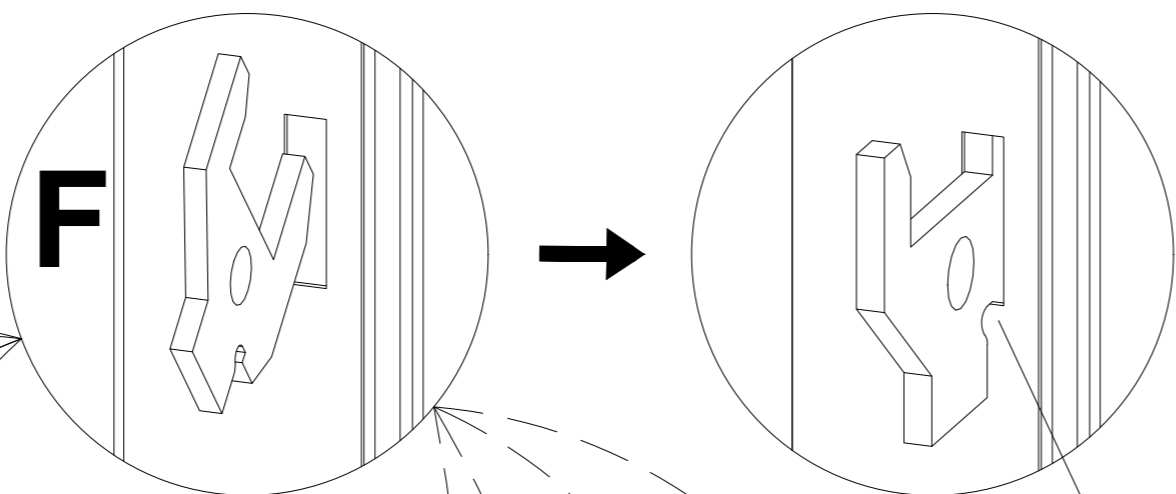
One G accessory consists of a magnet and a buckle.



9



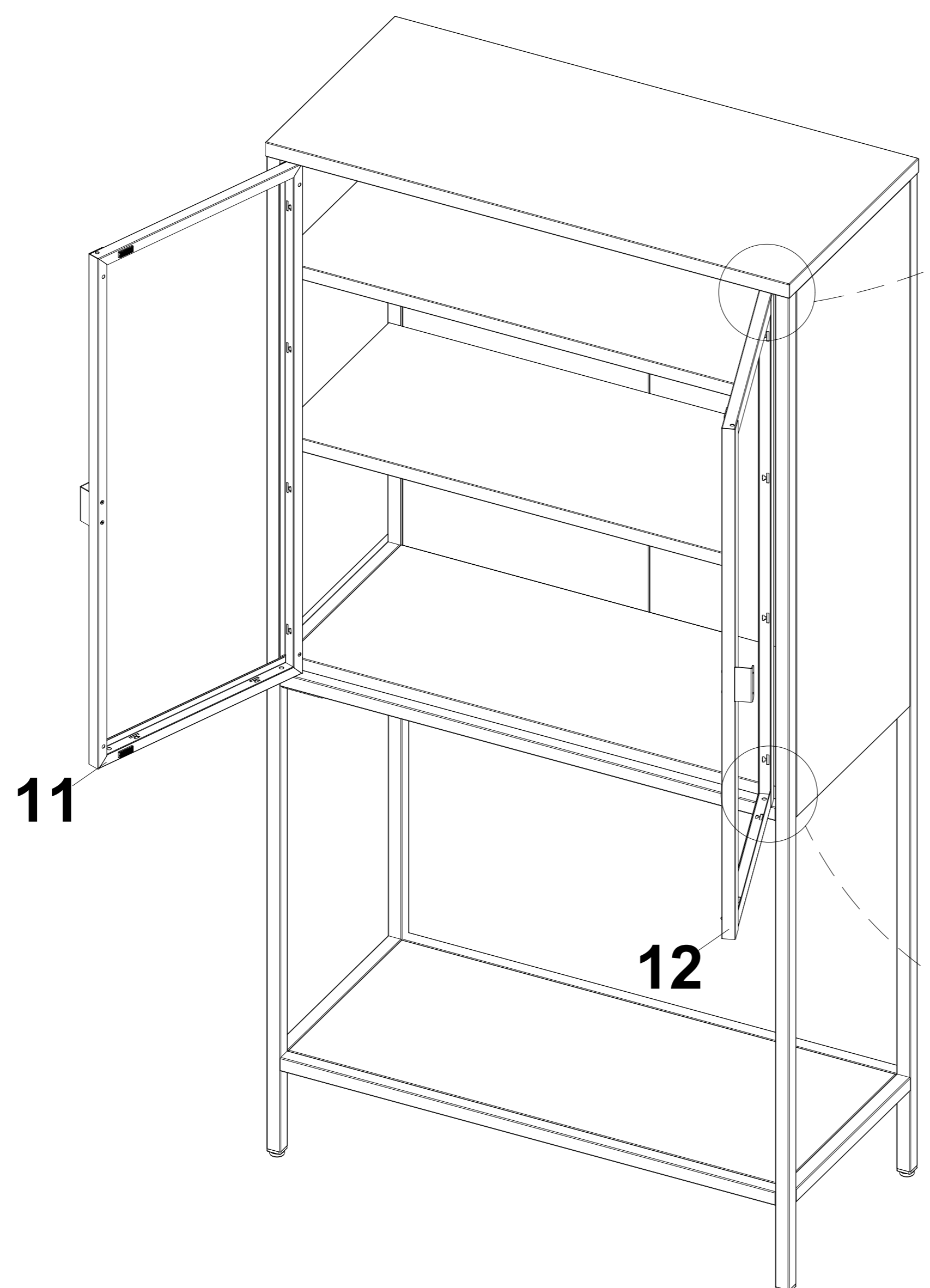
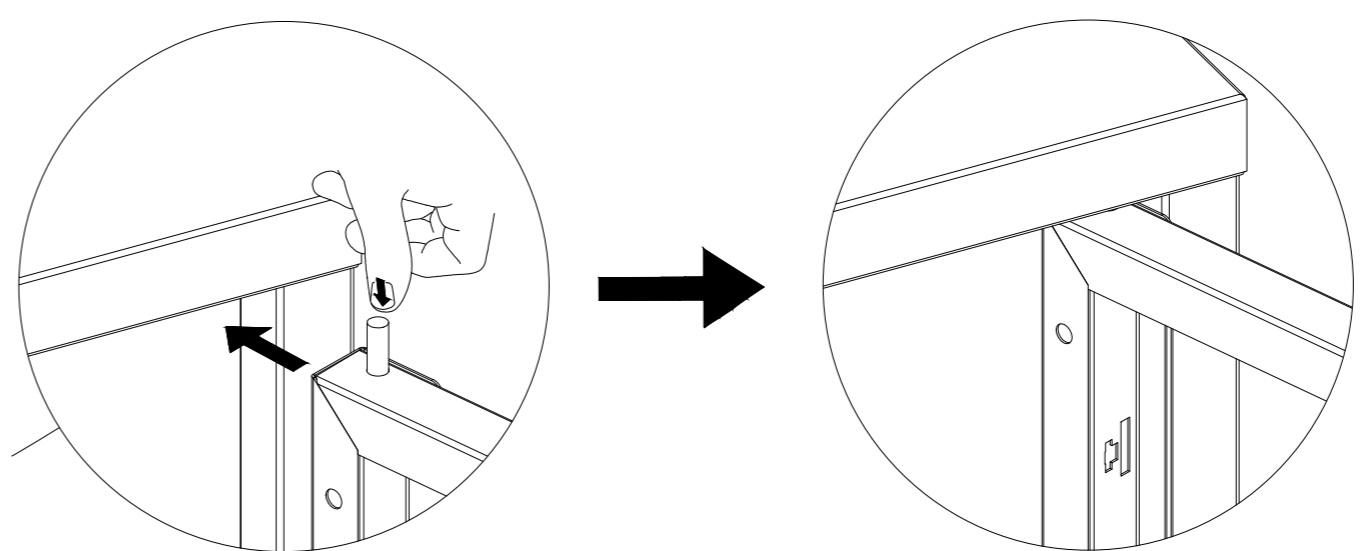
Please pay attention to the installation direction of accessory F.



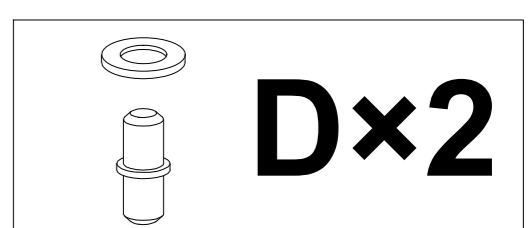
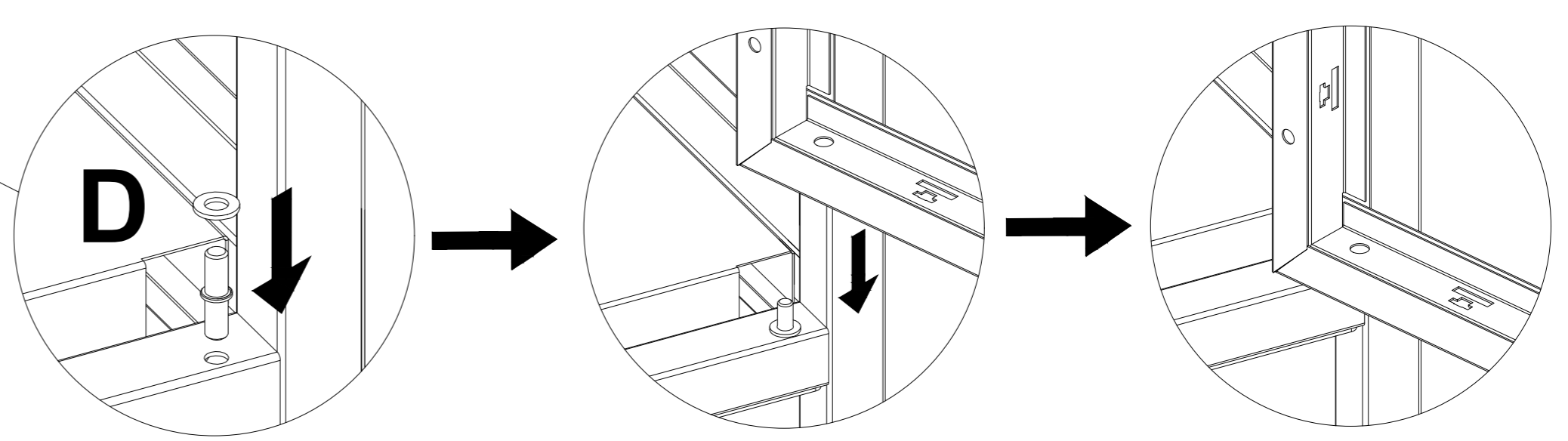
10

As shown in the diagram, install the two cabinet doors in the specified order.

STEP 2



STEP 1



11



12

If you need to fix the cabinet, please follow the installation steps. If not, please ignore it.

