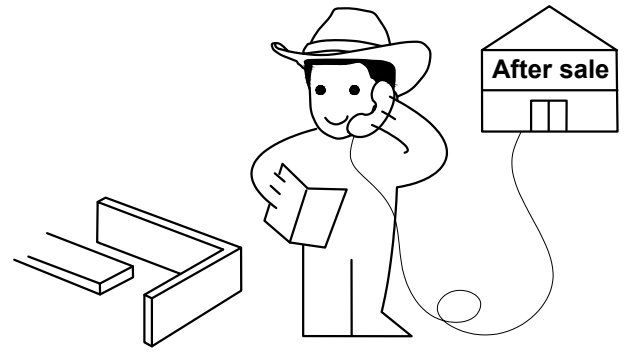
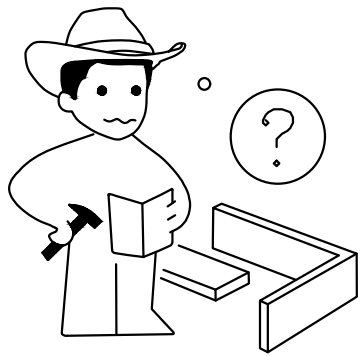
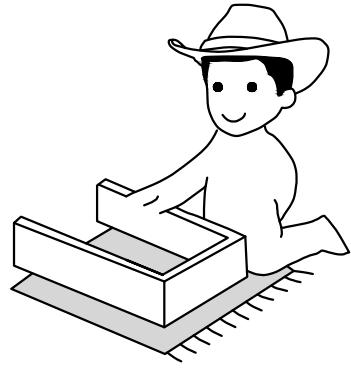
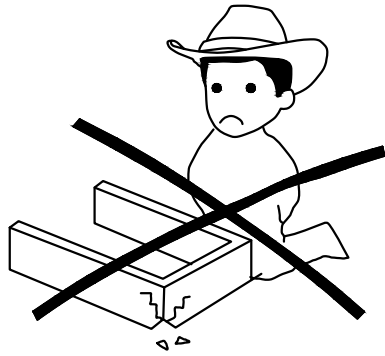
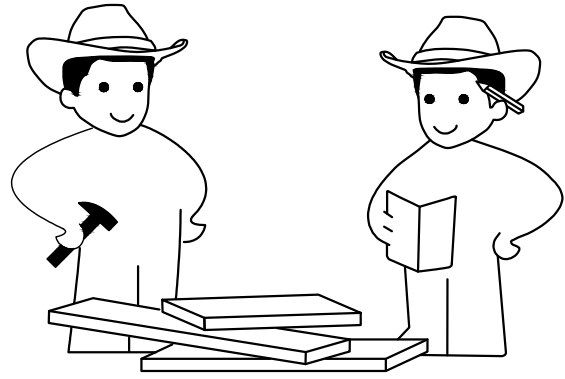
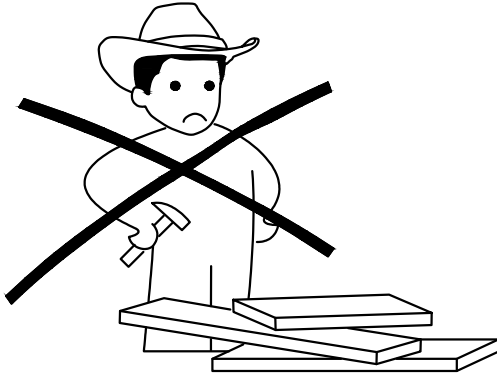
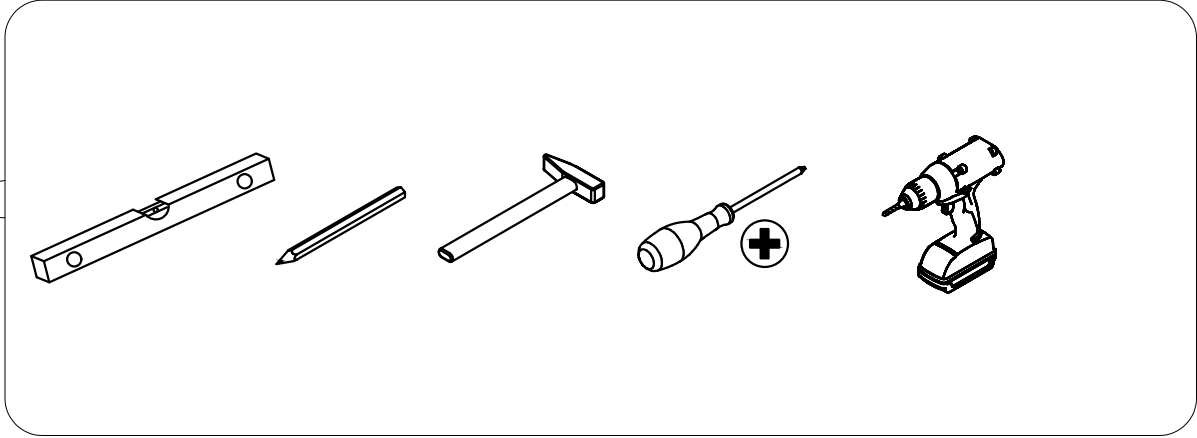
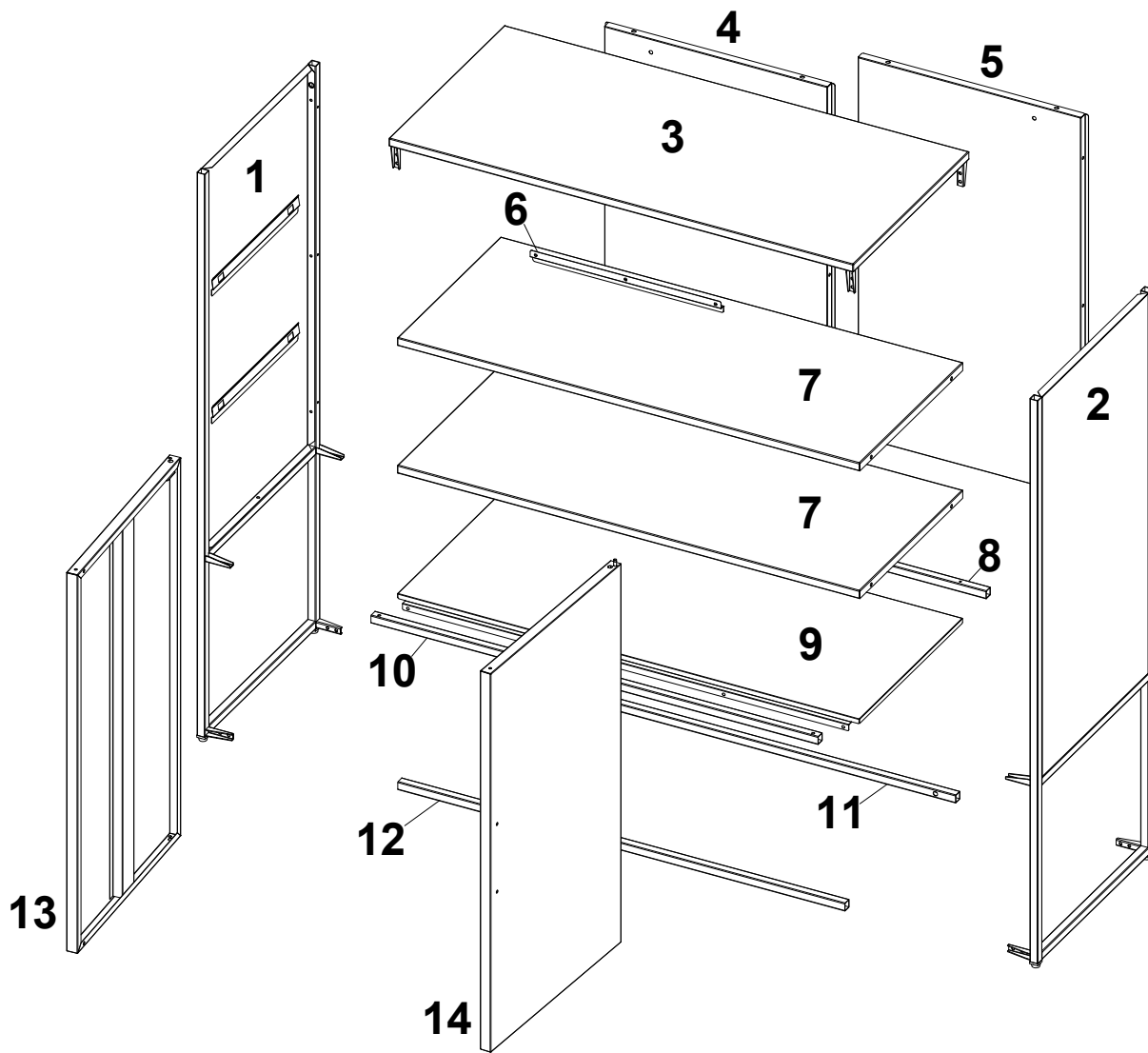


Installation video

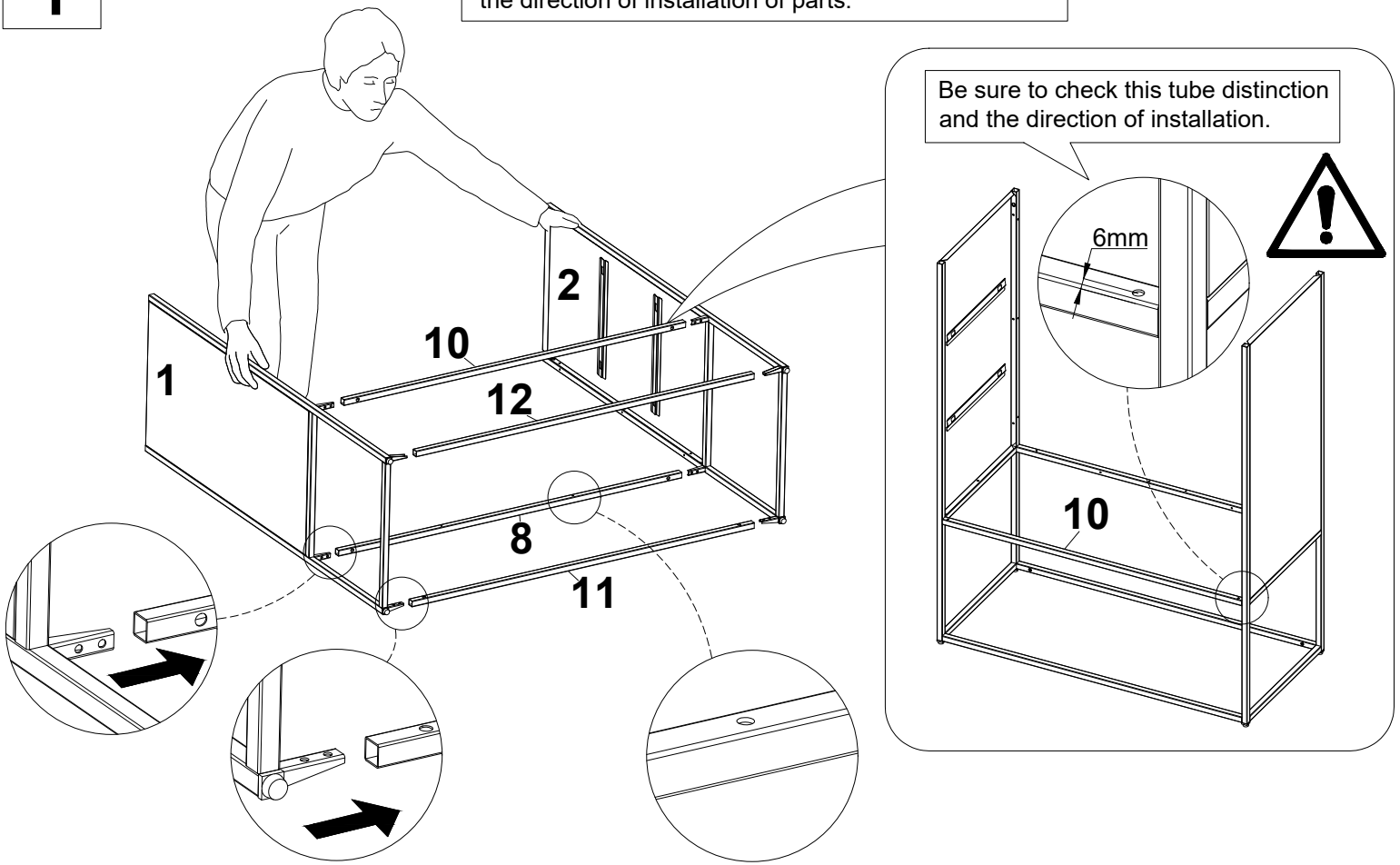


<p><b>1×1pc</b></p>		<p><b>2×1pc</b></p>		<p><b>3×1pc</b></p>		<p><b>4×1pc</b></p>	
<p><b>5×1pc</b></p>		<p><b>6×1pc</b></p>		<p><b>7×2pcs</b></p>		<p><b>8×1pc</b></p>	
<p><b>9×1pc</b></p>		<p><b>10×1pc</b></p>		<p><b>11×1pc</b></p>			
<p><b>12×1pc</b></p>		<p><b>13×1pc</b></p>		<p><b>14×1pc</b></p>			
<p><b>A×24pcs</b></p> <p>M4×8 mm</p>	<p><b>B×12pcs</b></p> <p>M6×10 mm</p>	<p><b>C×4pcs</b></p> <p>M4×5 mm</p>	<p><b>D×2pcs</b></p> <p>Ø4.8×22 mm</p>	<p><b>E×4pcs</b></p>	<p><b>F×2pcs</b></p> <p>128 mm</p>	<p><b>G×2pcs</b></p> <p>M8</p> <p>M5×40 mm</p>	



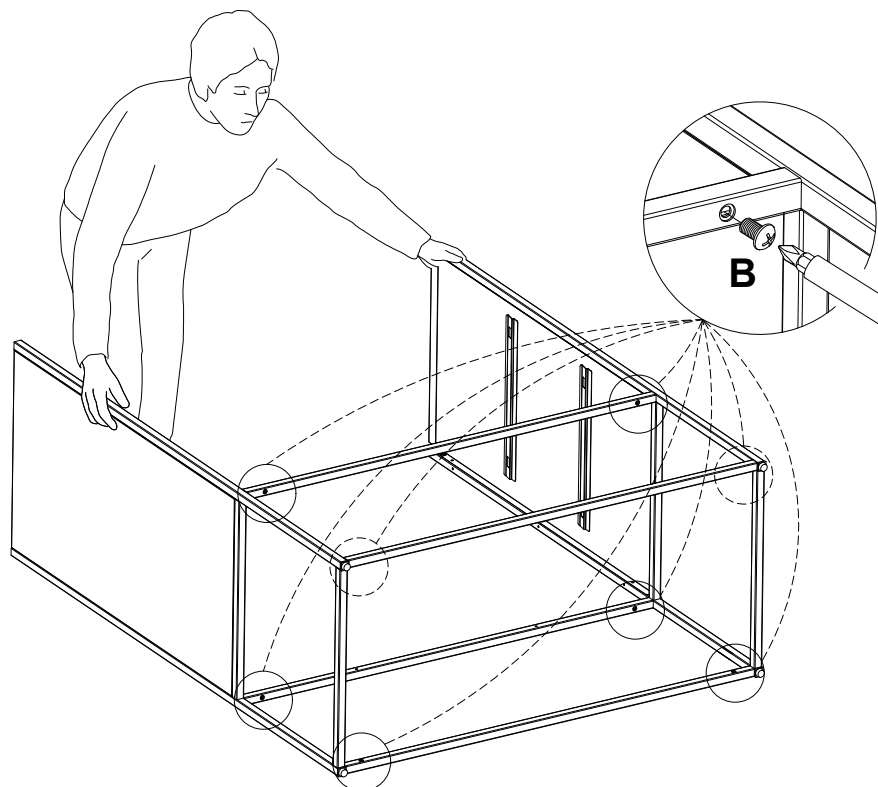
# 1

Connect the corresponding parts to each other in the following figure, paying attention to the distinction and the direction of installation of parts.



# 2

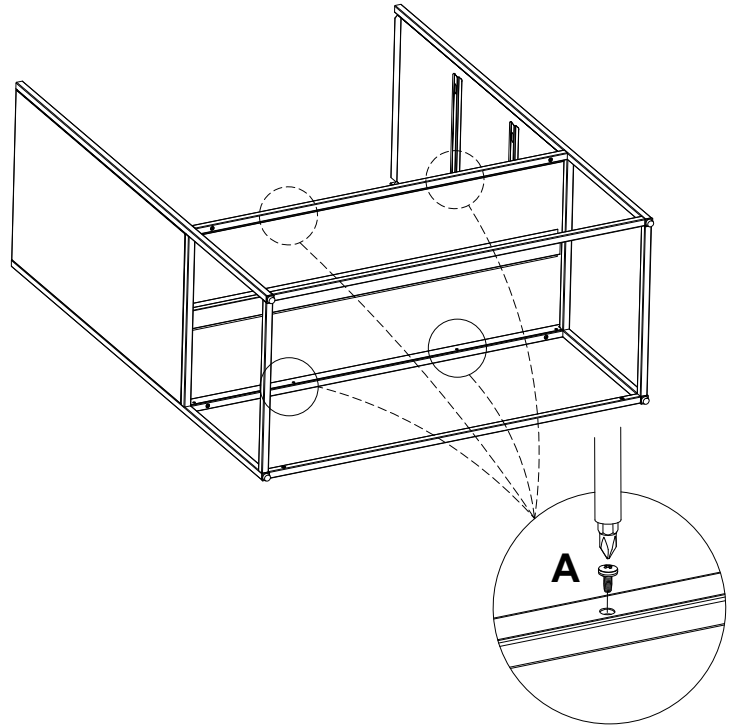
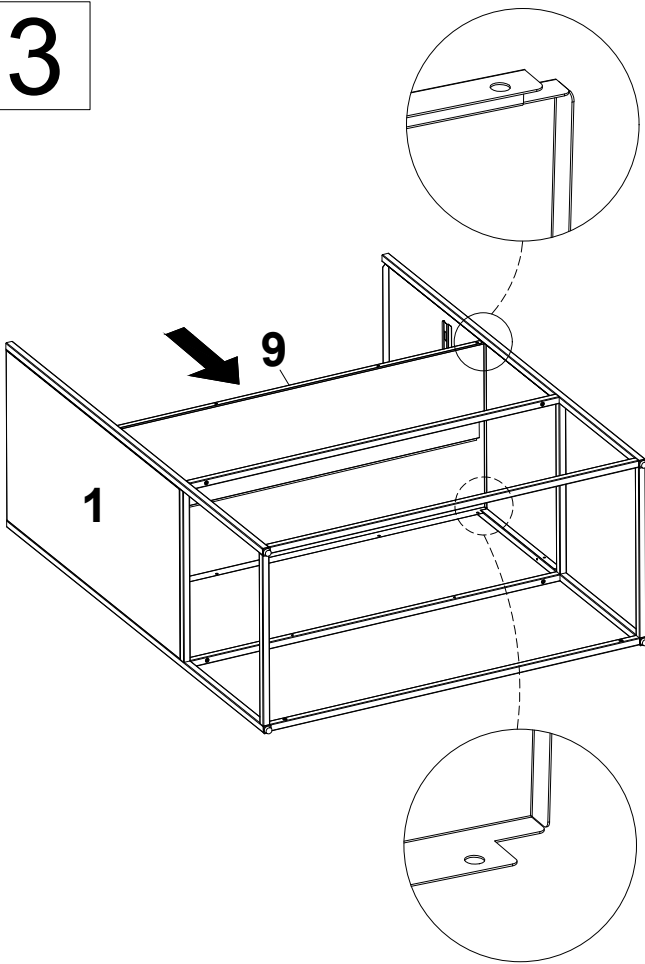
Putting B in place.



 B×8

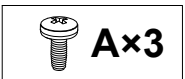
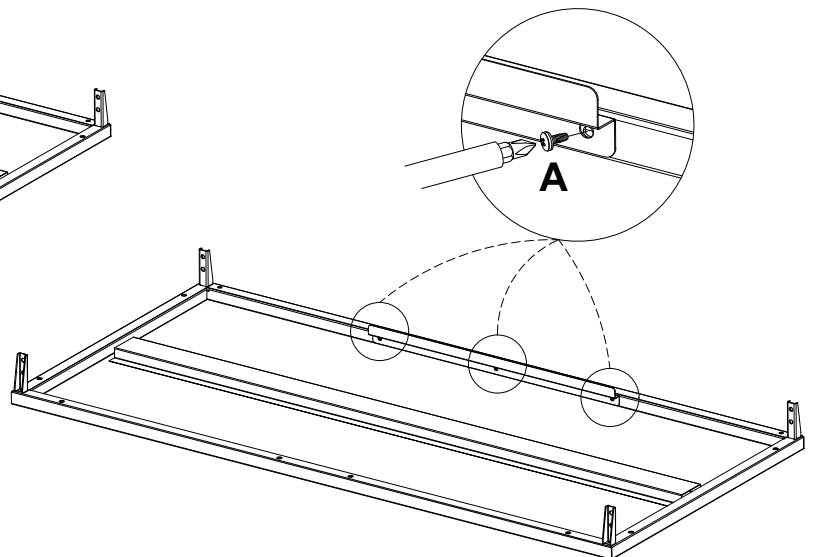
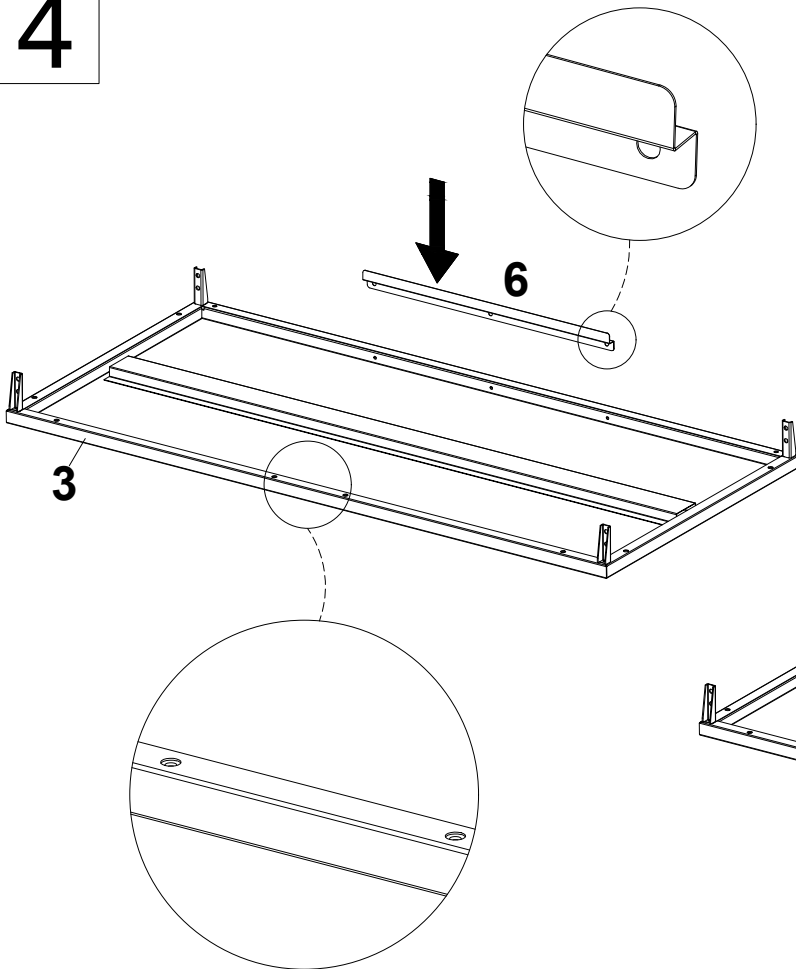
3

After installing No. 9 in place in the direction shown in the illustration, install A in place.

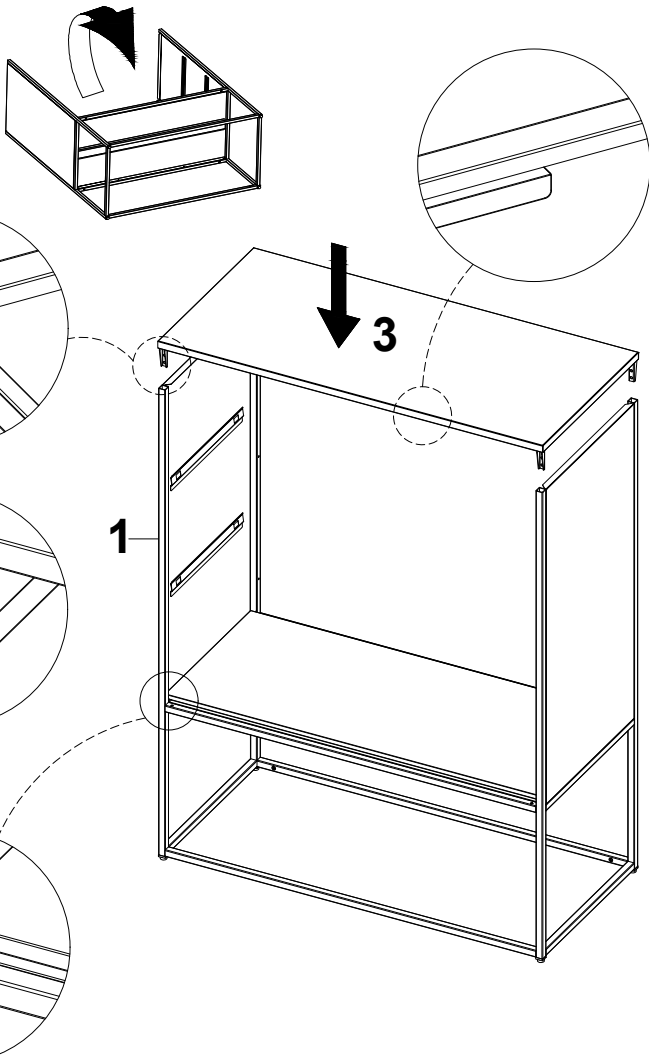


4

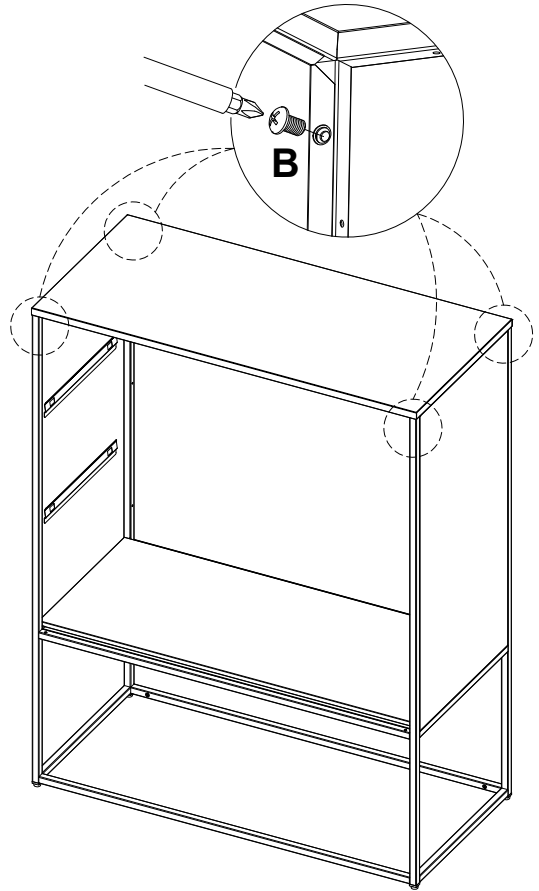
Place No. 6 in the illustration to the corresponding position of No. 3 in the direction shown, and then install A in place.



5

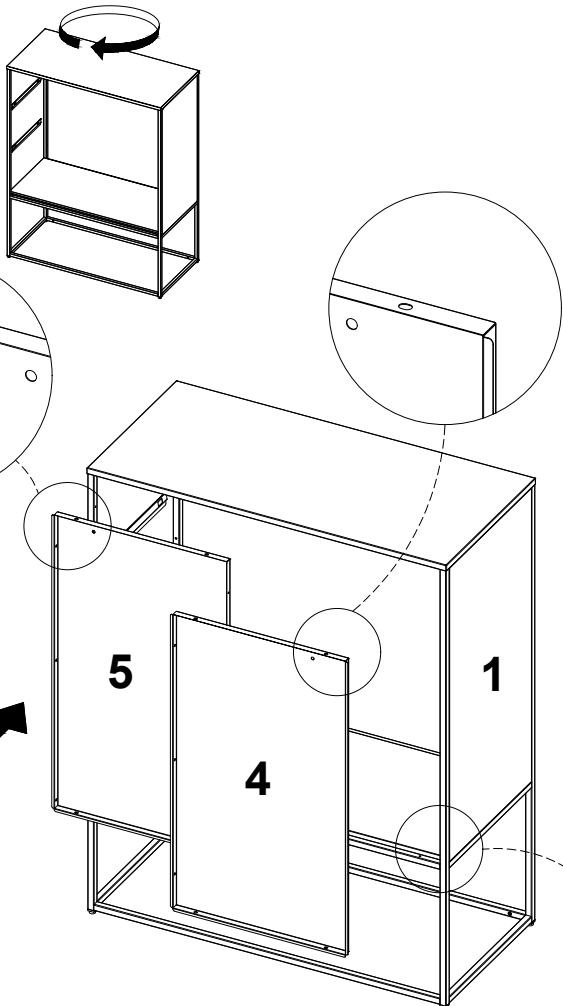


After rotating the cabinet , install No. 3 in place as shown and then install B in place.

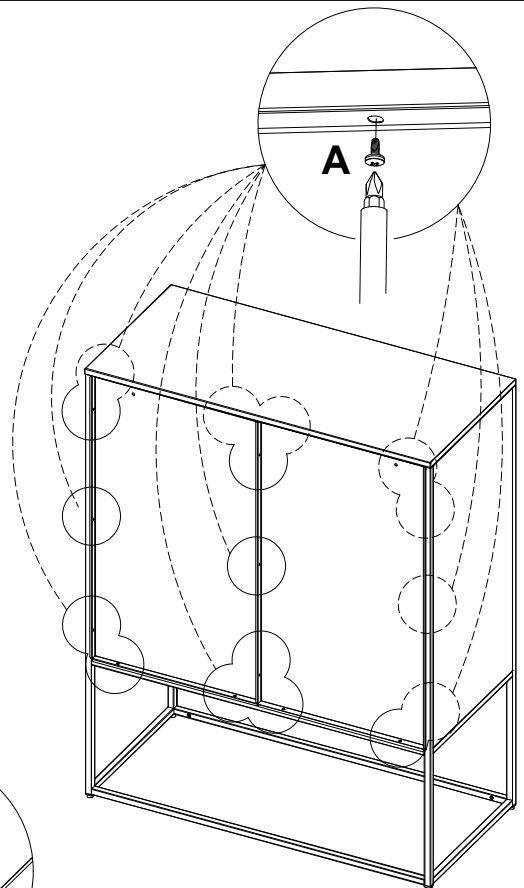



 B×4

6

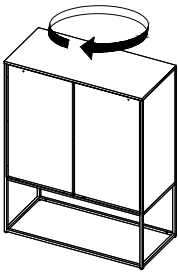


After rotating the cabinet, put No. 4 and No. 5 in place in the direction shown in the illustration, then put A in place.

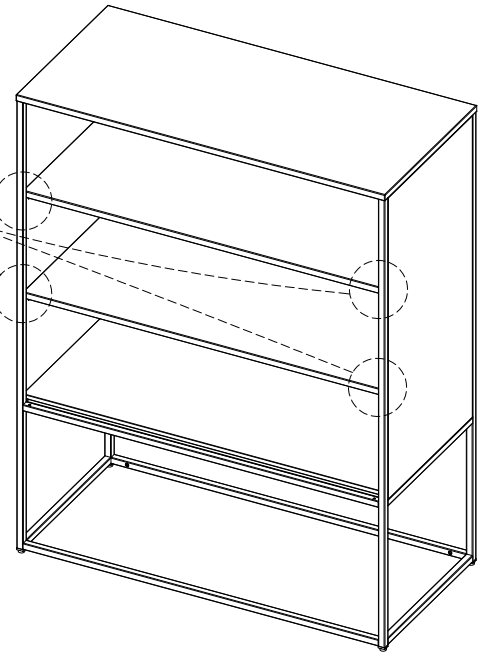
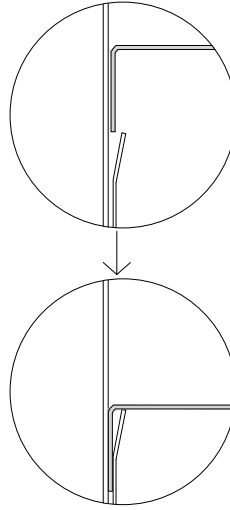
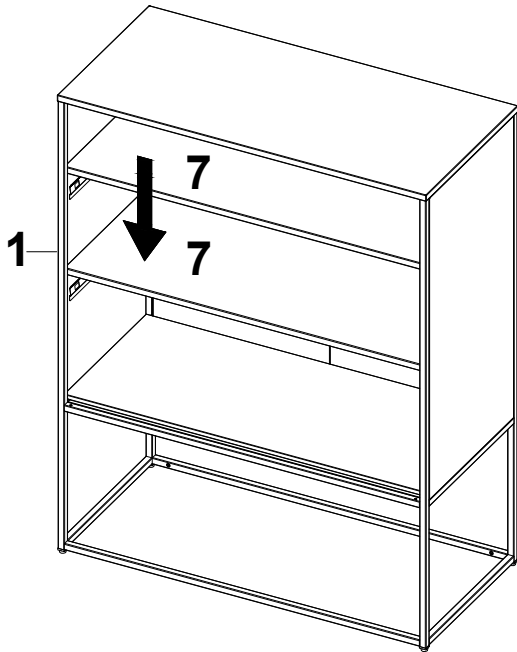


 A×17

7

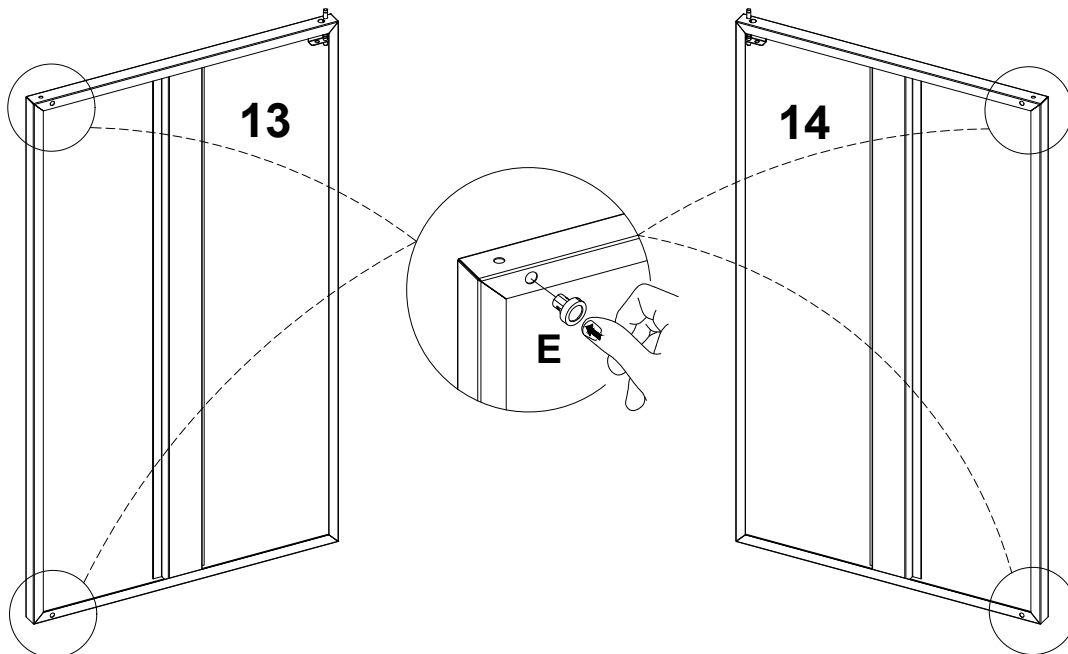


After rotating the cabinet, note that the installation of No. 7 needs to be snapped between the side panel and the support piece.



8

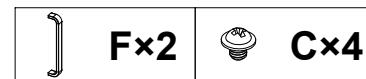
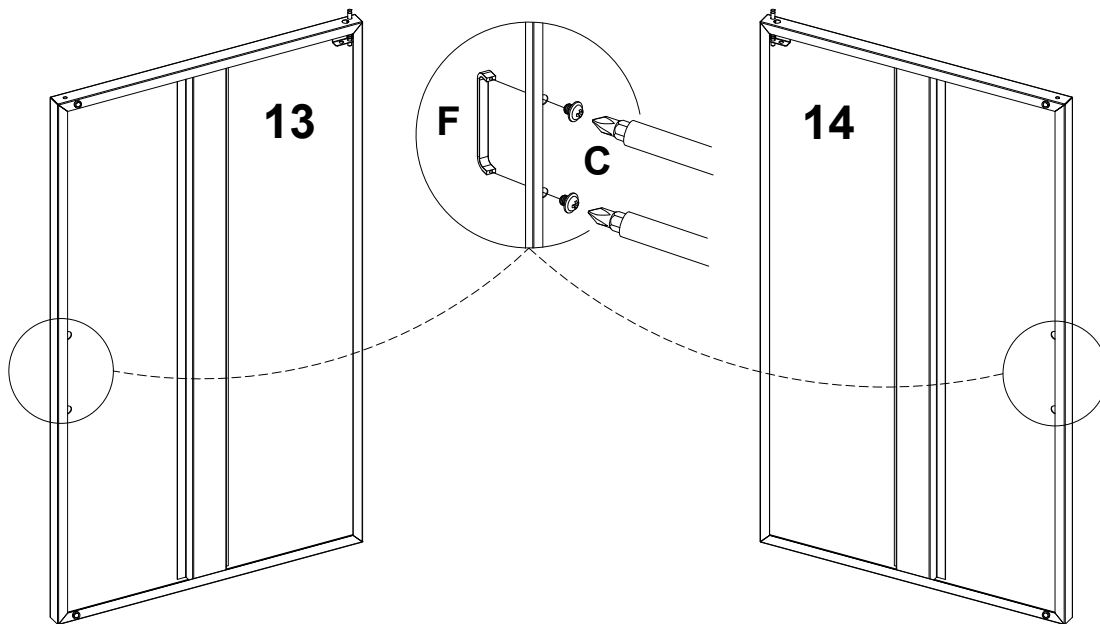
Install E as shown, after hearing a click that the installation is in place.





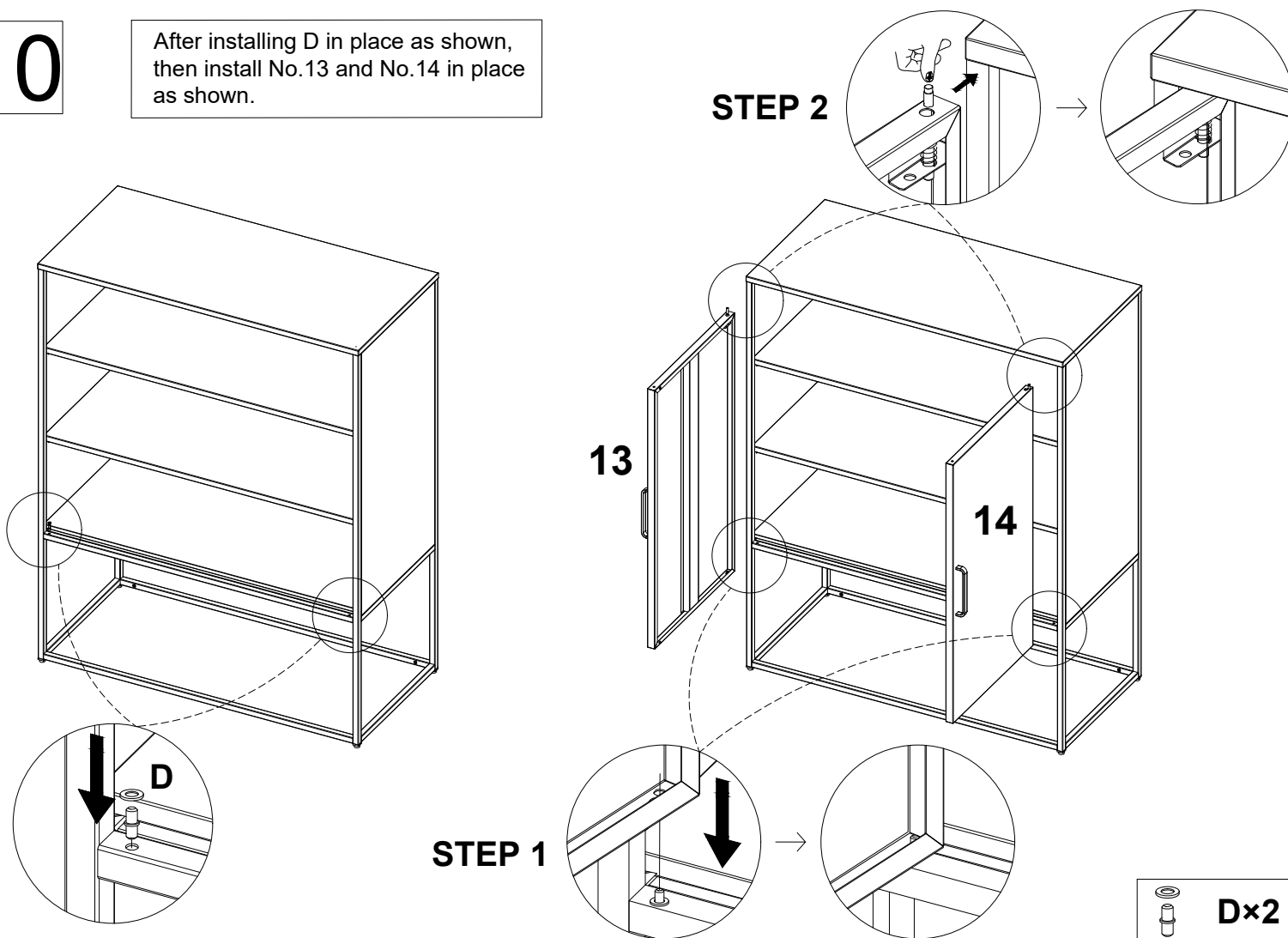
9

Connect C in place with F after passing it through the corresponding holes in 13 and 14.



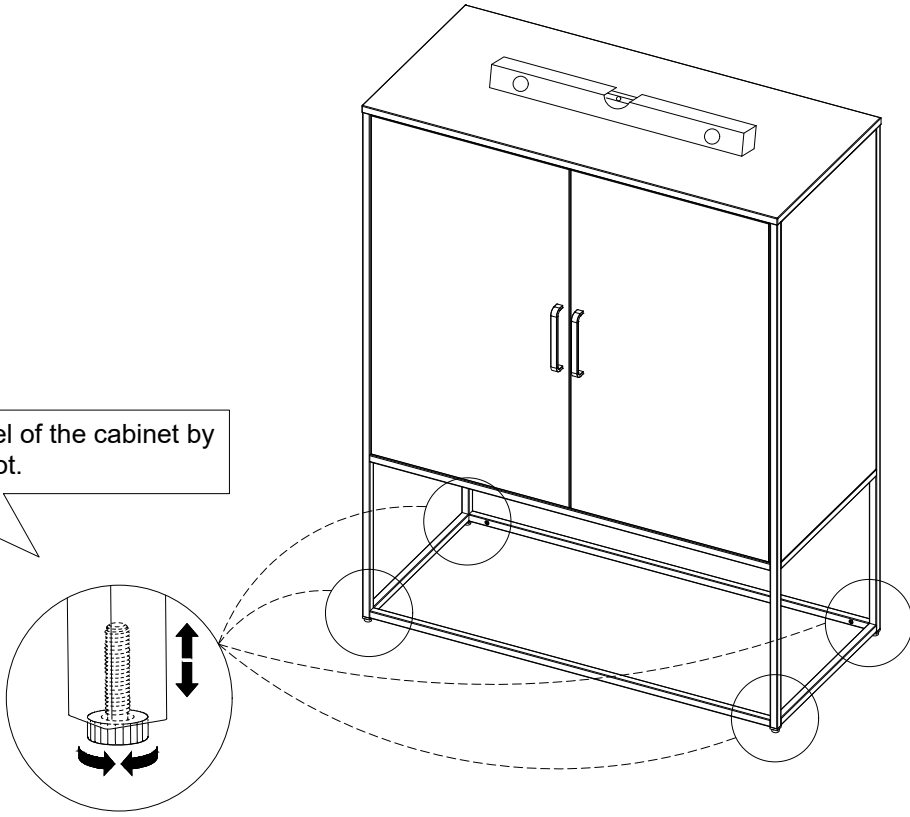
10

After installing D in place as shown, then install No.13 and No.14 in place as shown.

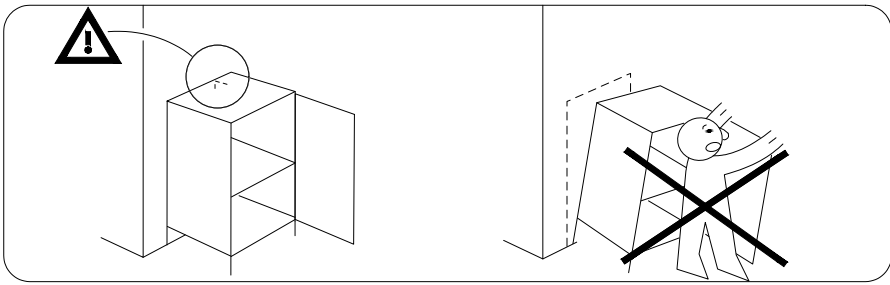


# 11

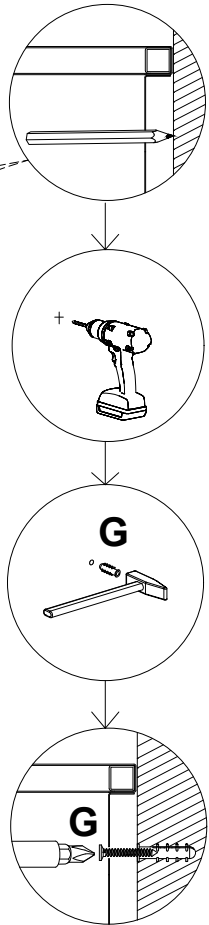
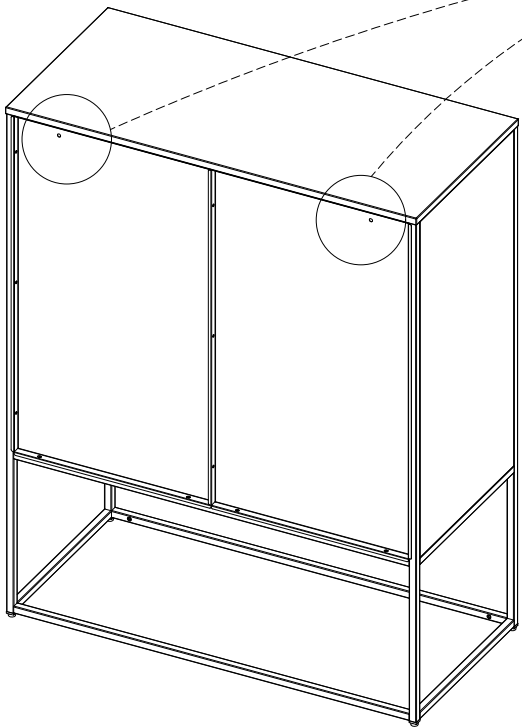
Adjust the level of the cabinet by rotating the foot.



# 12



This step is to connect the cabinet to the wall. If not, please ignore it.



13

