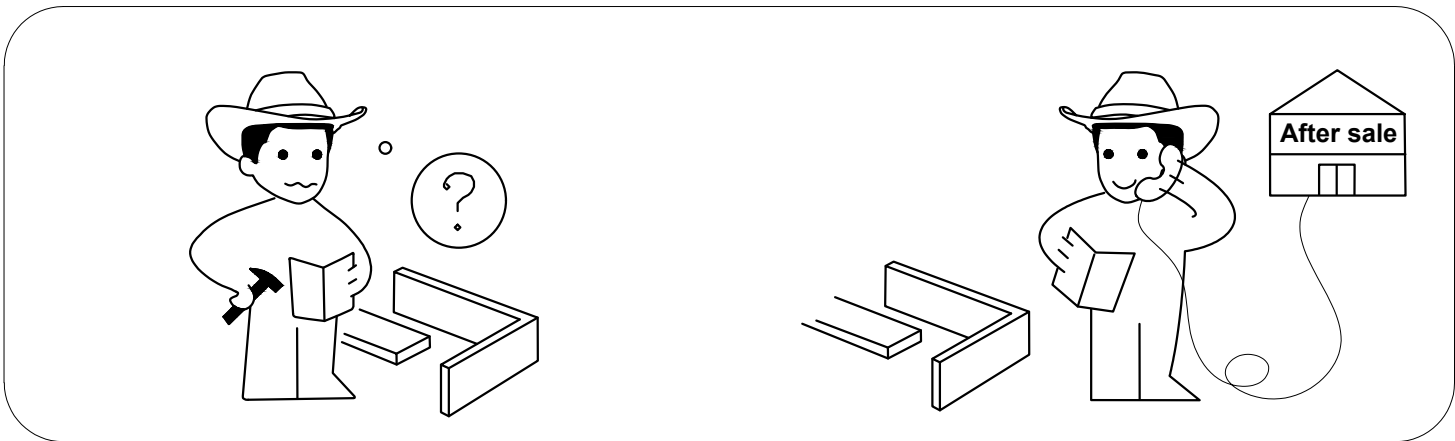
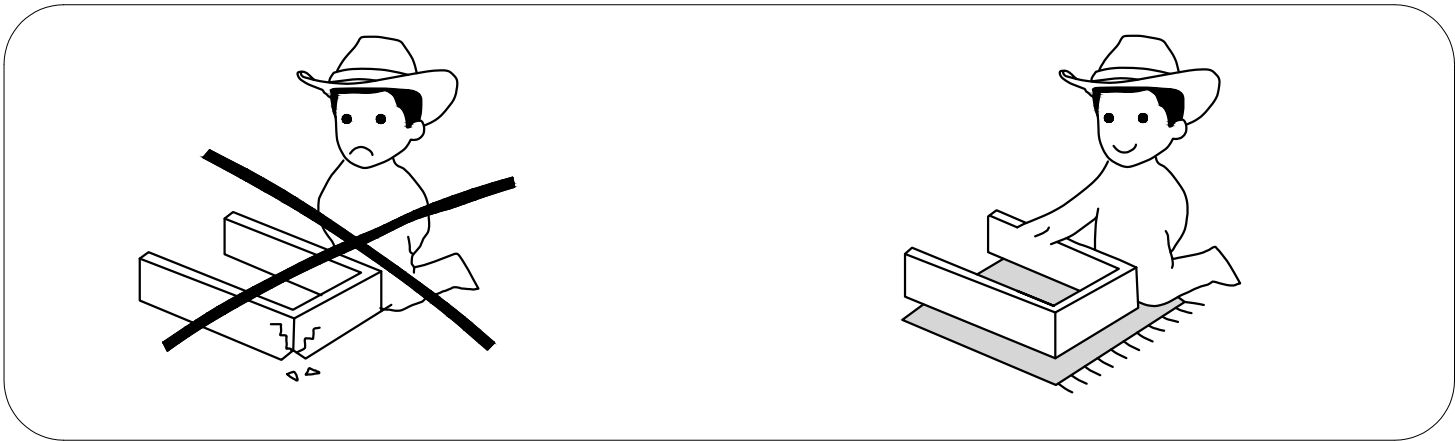
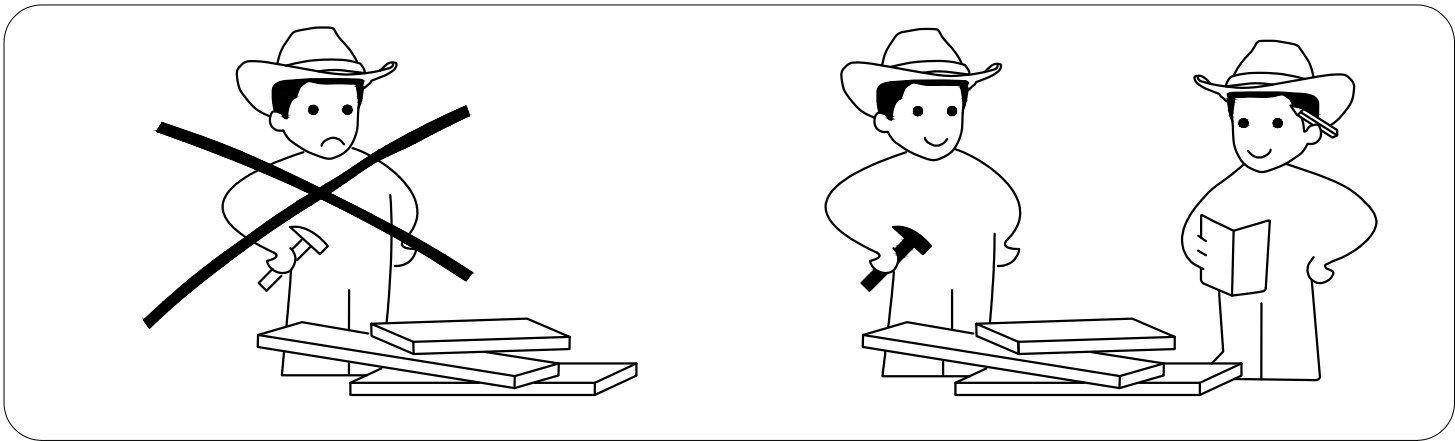
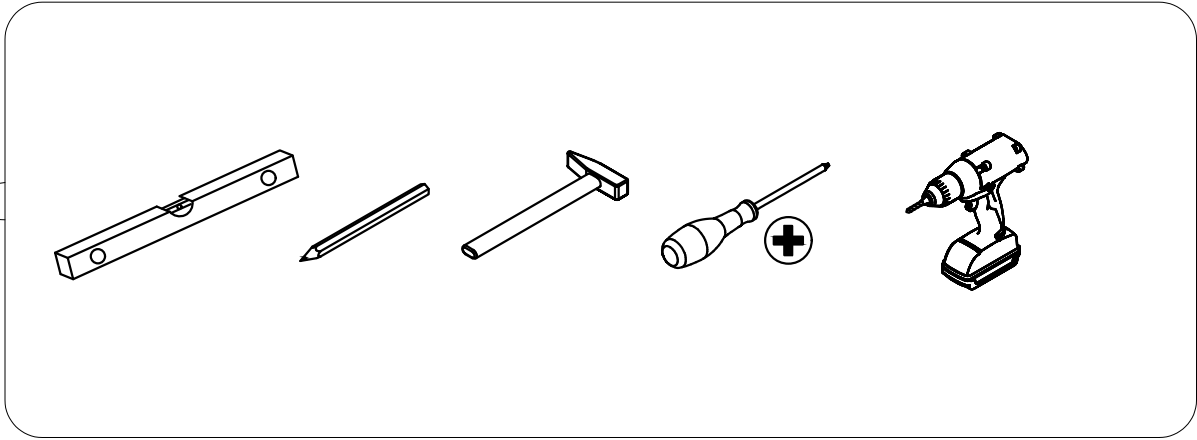
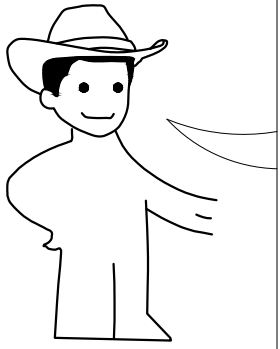
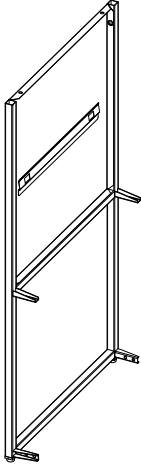
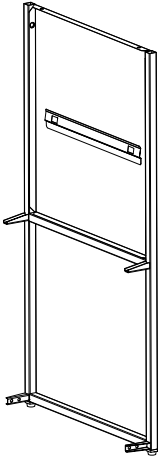
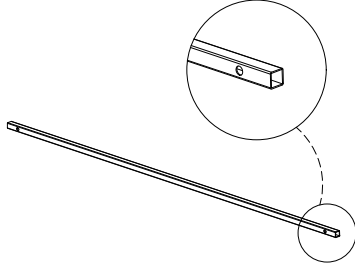
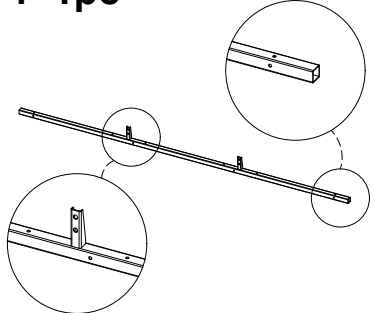
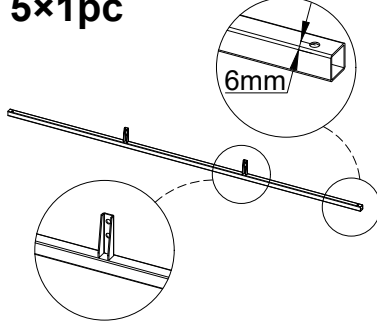
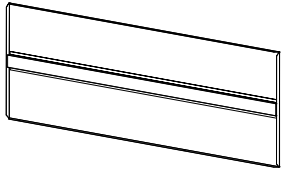
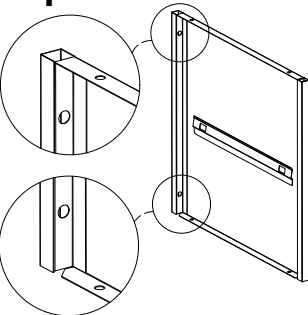
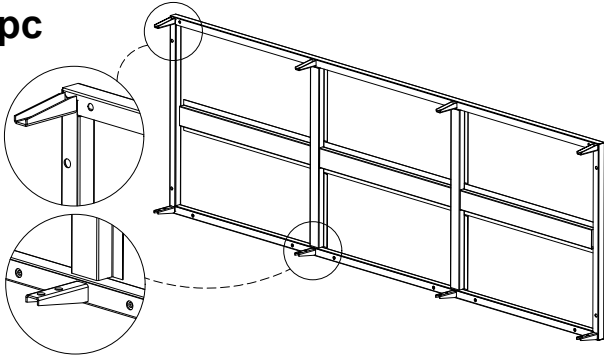
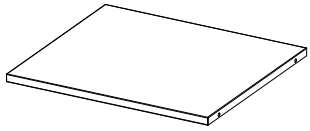
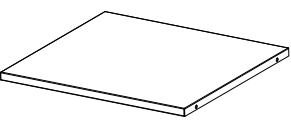
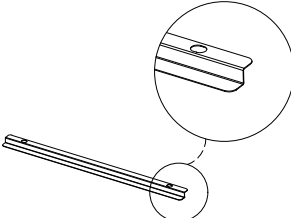
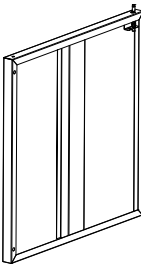
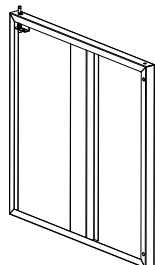
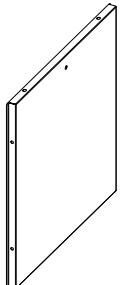
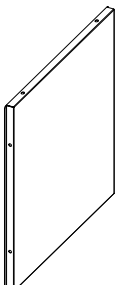
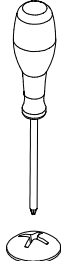

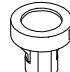







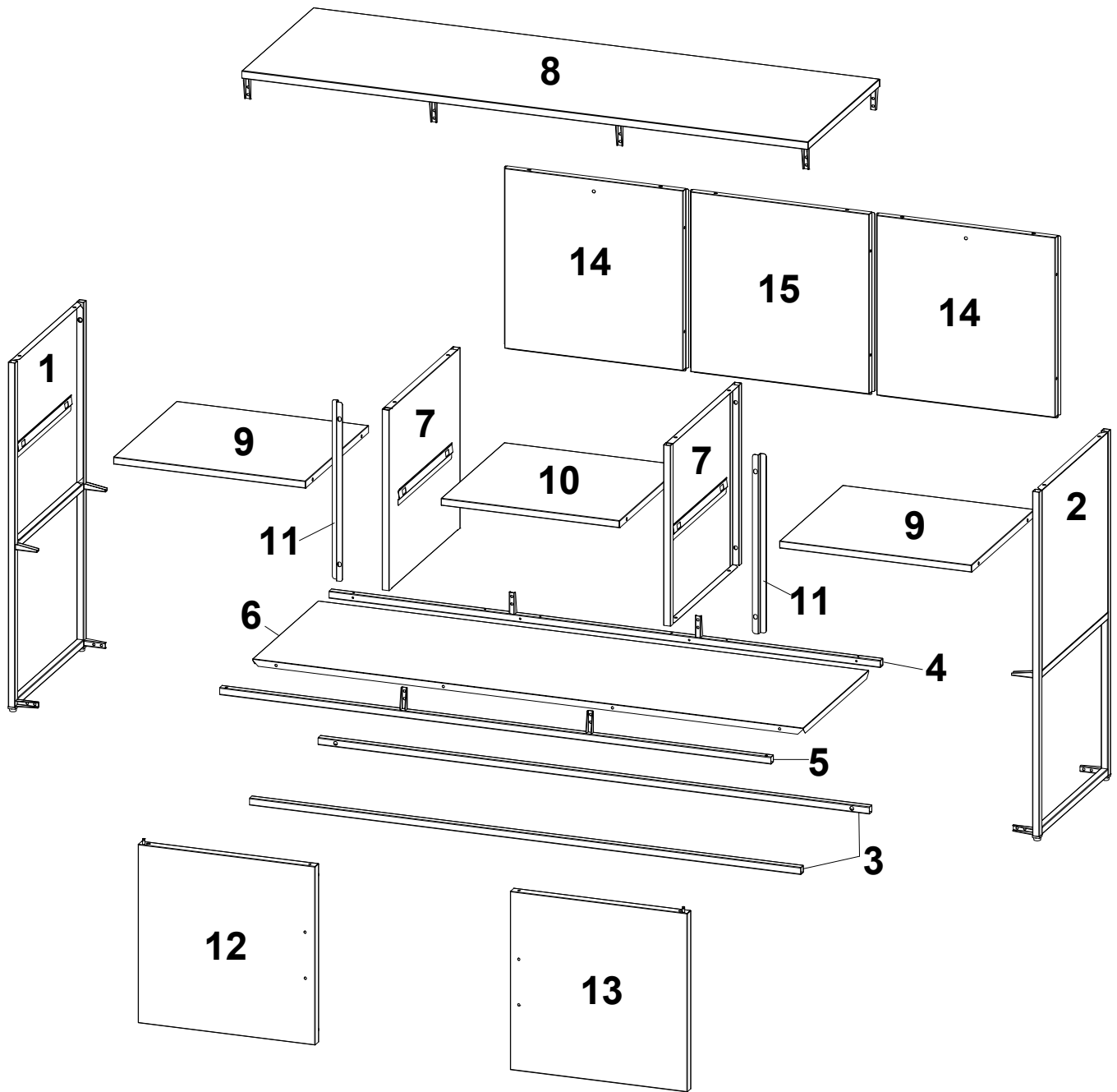


Installation video

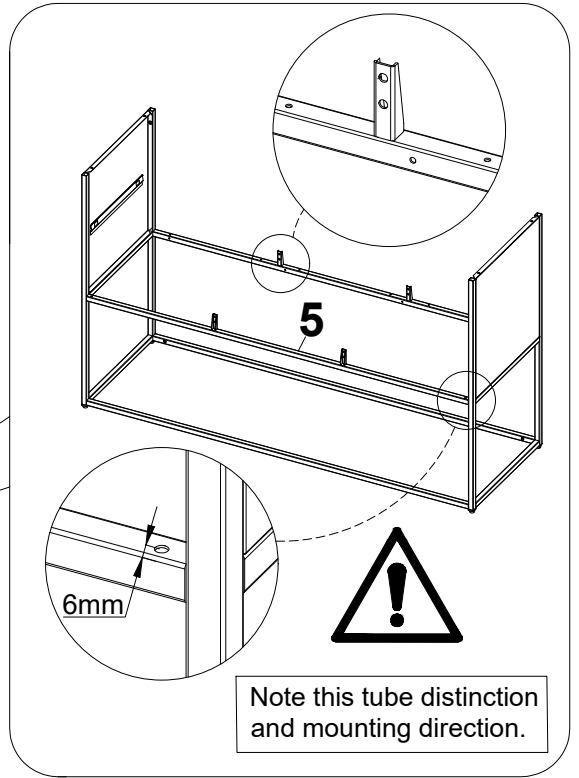
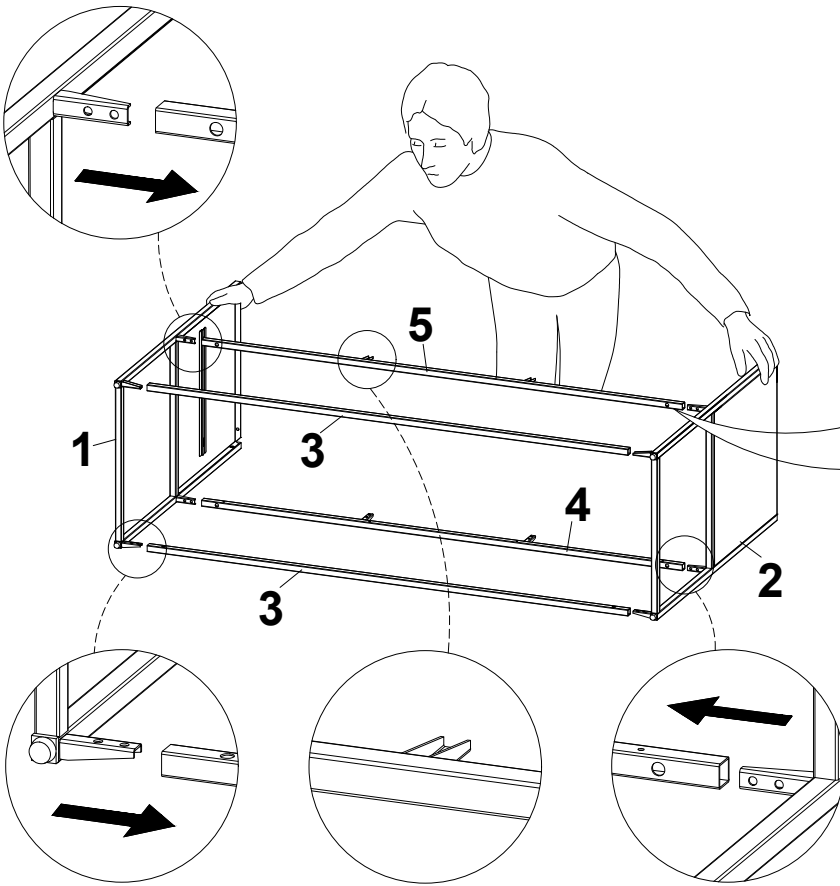


1×1pc 		2×1pc 		3×2pcs 		4×1pc 	
				5×1pc 		6×1pc 	
7×2pcs 		8×1pc 				9×2pcs 	
10×1pc 		11×2pcs 		12×1pc 		13×1pc 	
14×2pcs 		15×1pc 					
A×20pcs  M4×8 mm	B×4pcs 	C×2pcs  96 mm	D×4pcs  M4×5 mm	E×2pcs  Ø4.8×22mm	F×20pcs  M6×10 mm	G×2pcs  M8  M5×40 mm	



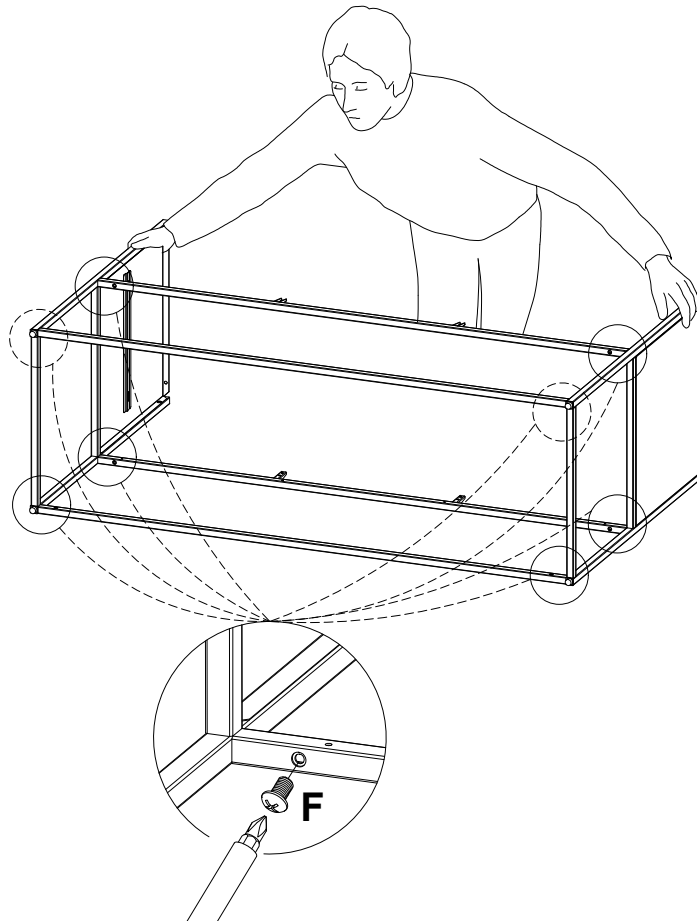
1

Connect the corresponding components in the following figure, and pay attention to the distinction and installation direction of the components.



2

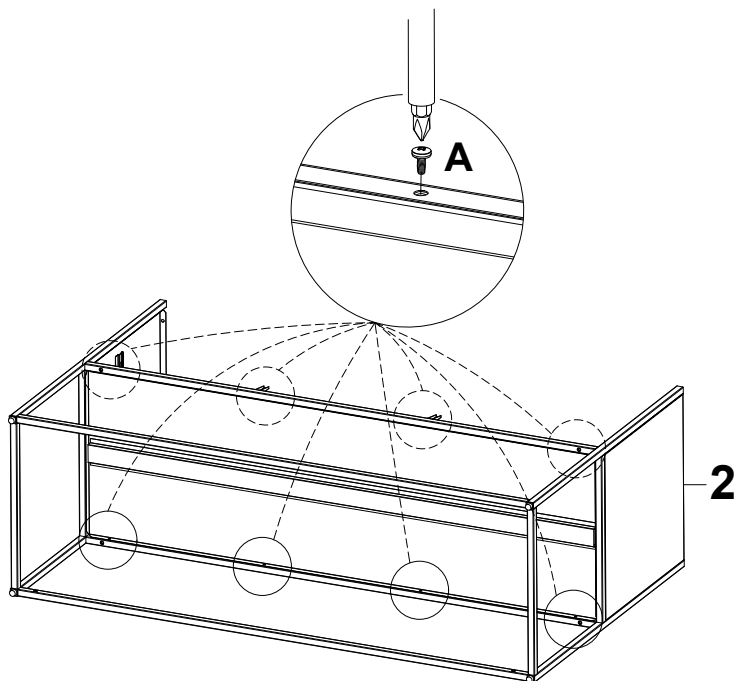
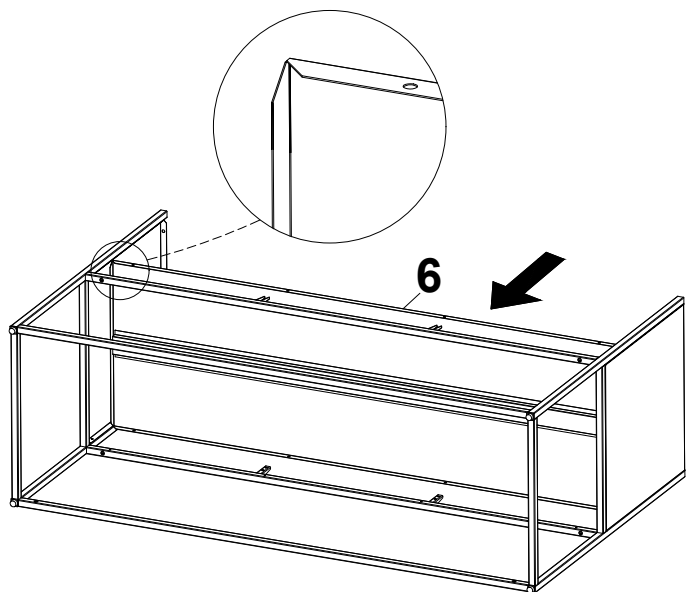
Put F in place.



 F×8

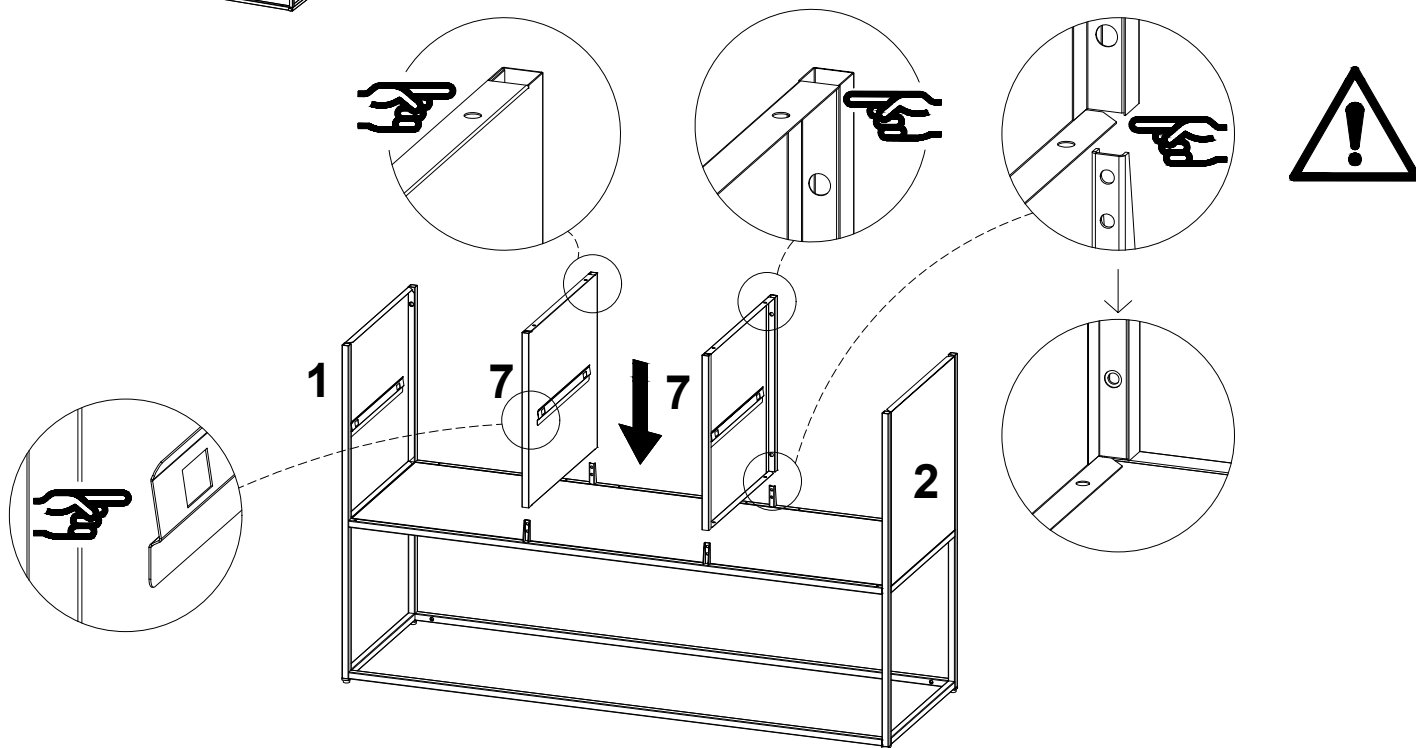
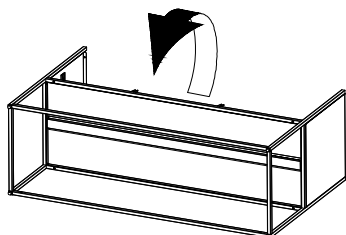
3

Install No. 6 in place in the direction shown, and then install A in place.



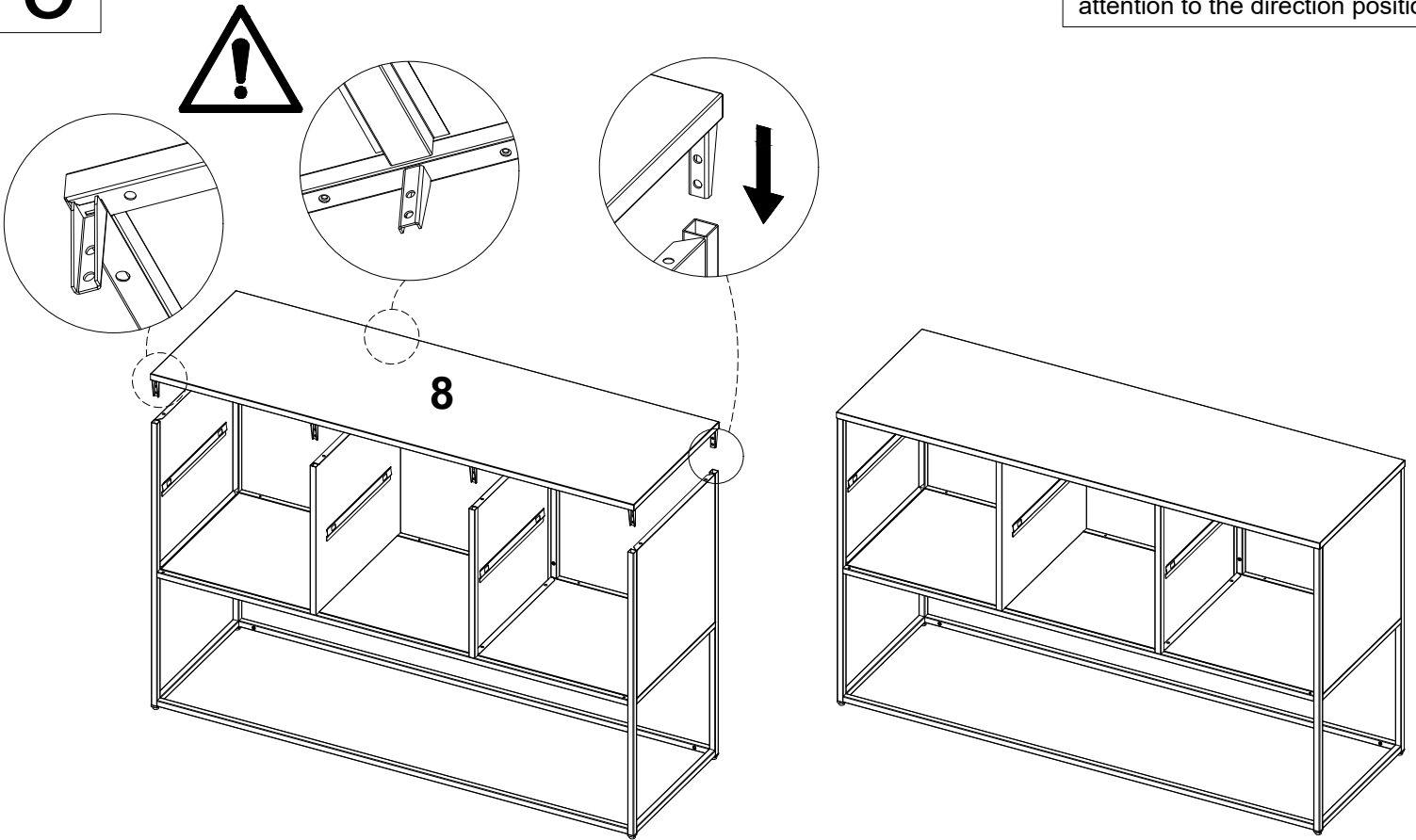
4

After turning over the cabinet, install No. 7 in place according to the direction shown, paying attention to distinguish between up and down and left and right.



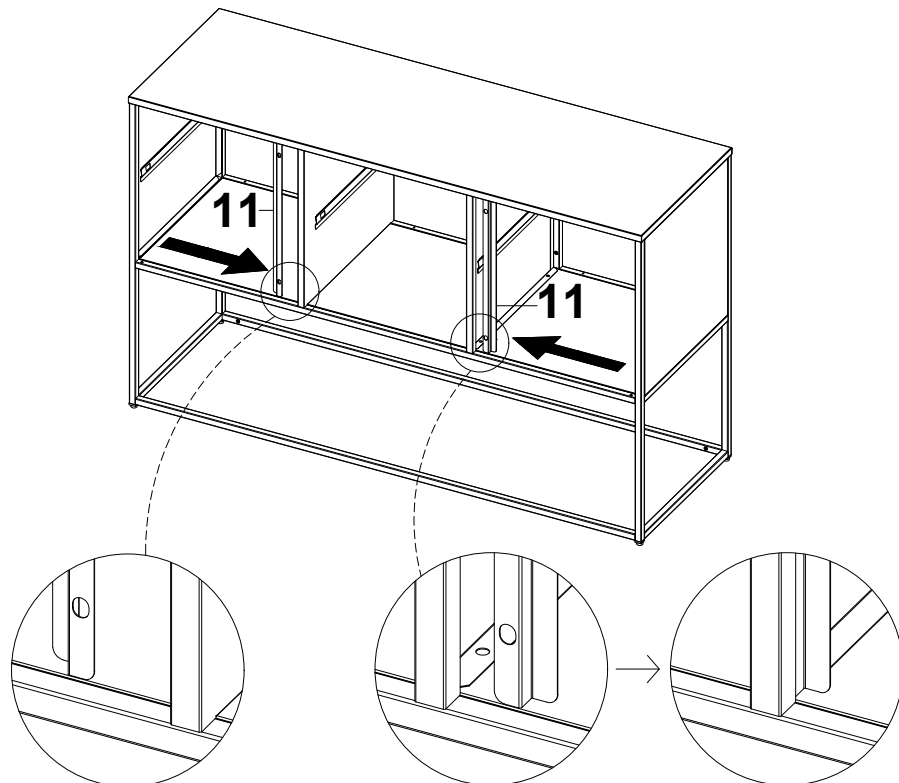
5

Install No. 8 in place according to the direction shown, paying attention to the direction position.



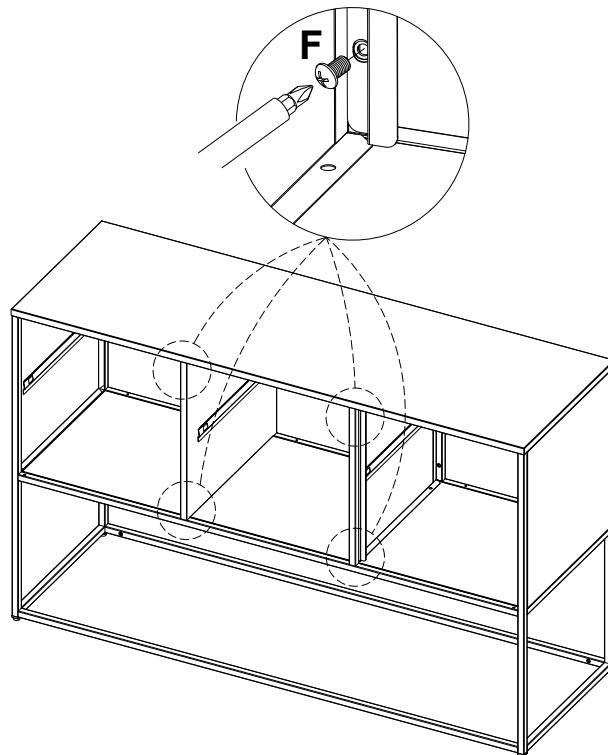
6

Place No. 11 in place according to the direction shown in the figure.



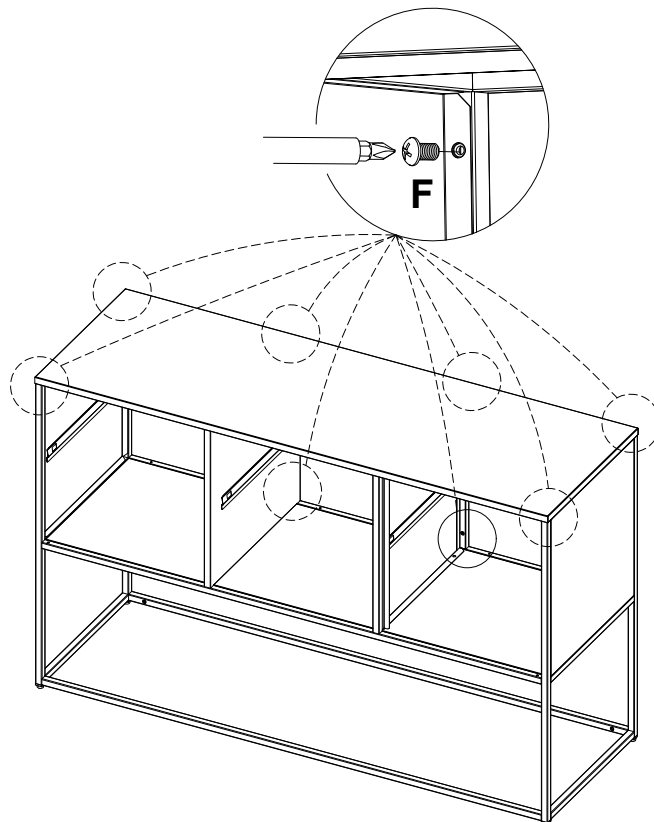
7

Install F in place to secure No. 11

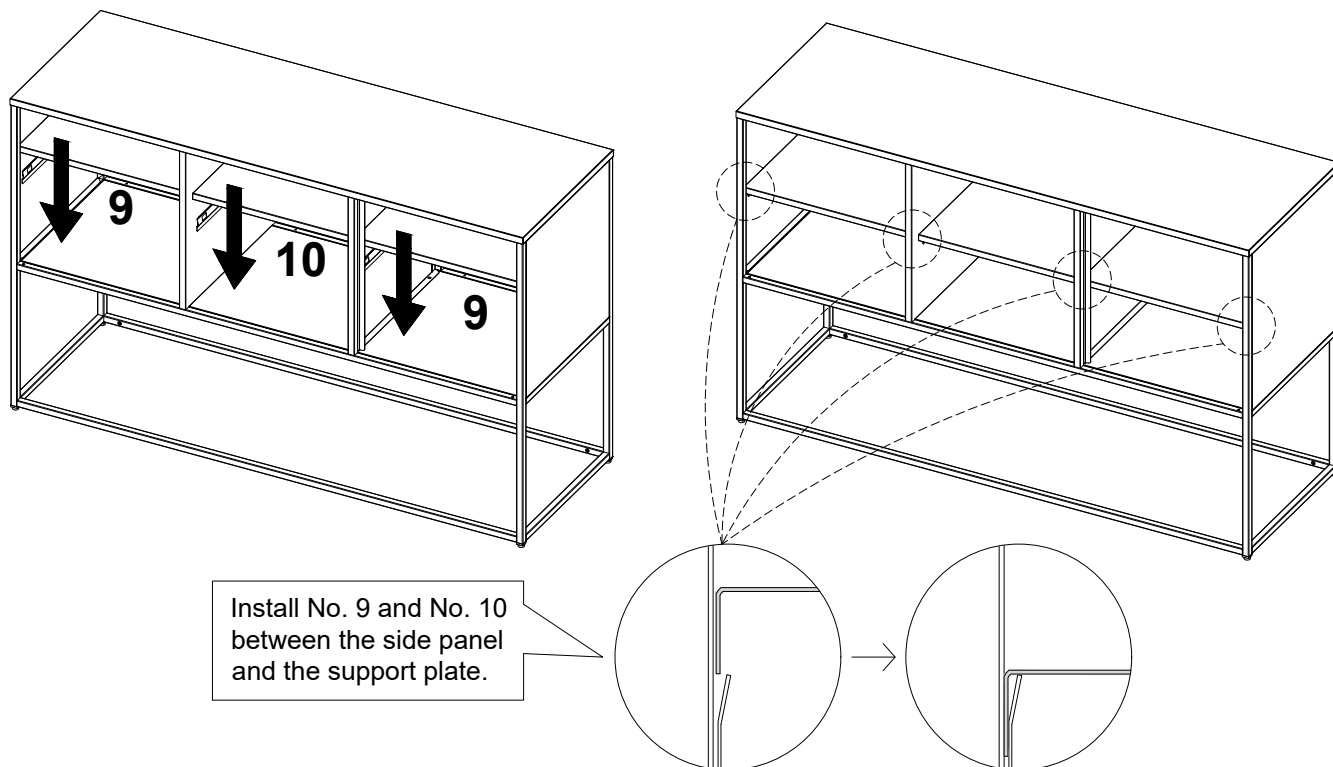


8

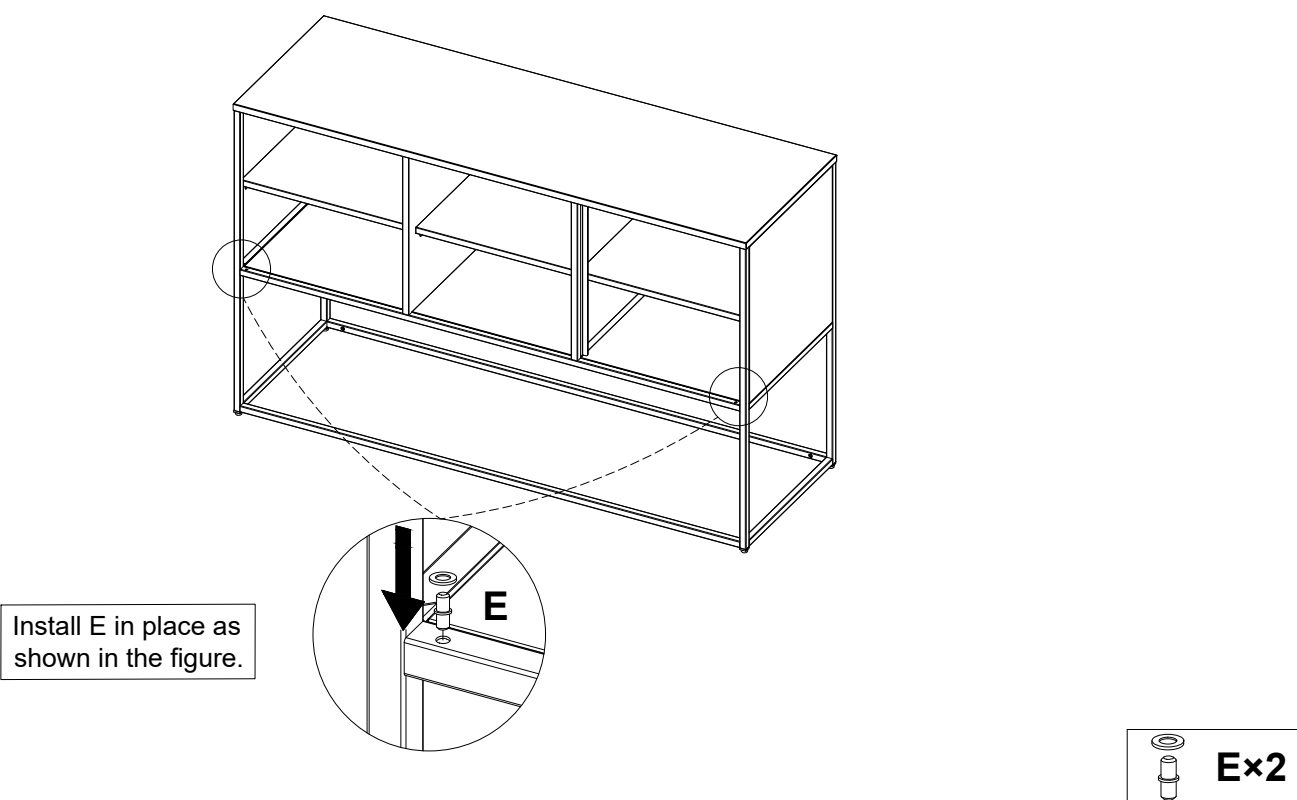
Install F in place as shown.



9

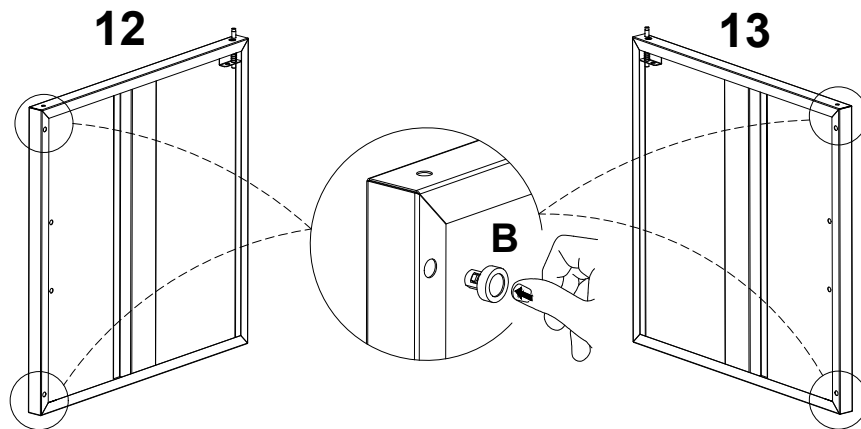


10



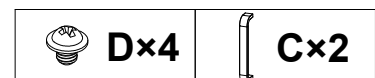
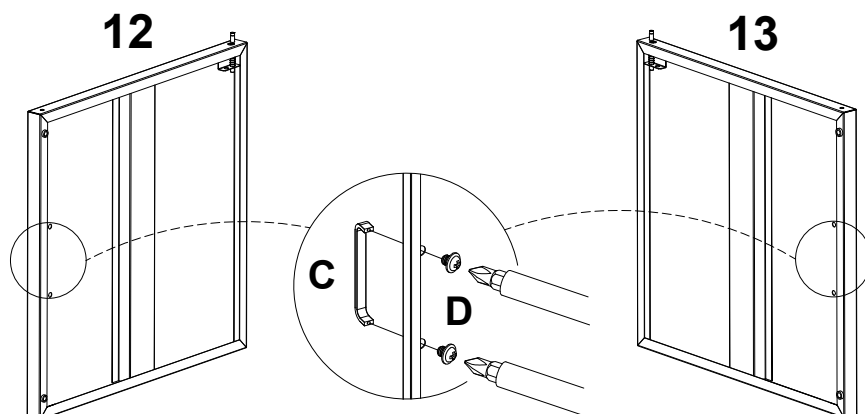
11

Install B to the position as shown in the figure. A click is heard indicating that B is properly installed.



12

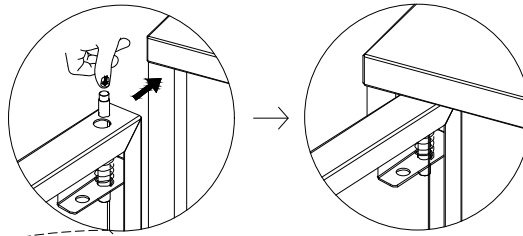
Insert D through the corresponding holes on No. 12 and No. 13 and connect it to C.



13

Install No. 12 and 13 in the order shown.

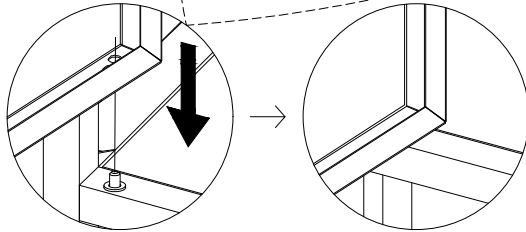
STEP 2



12

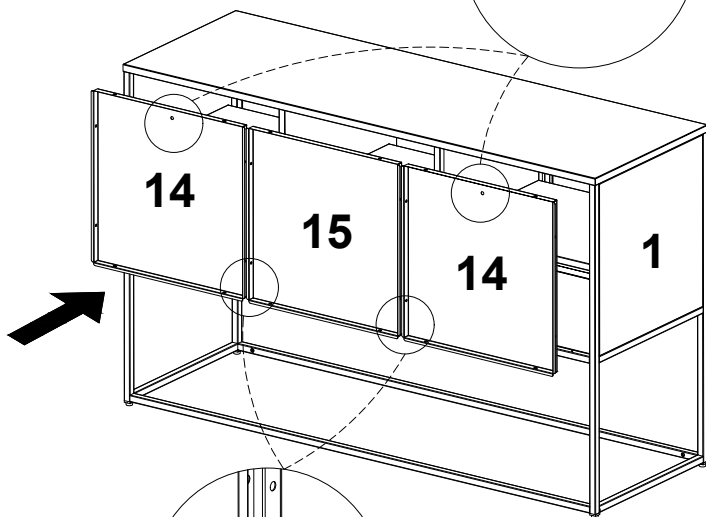
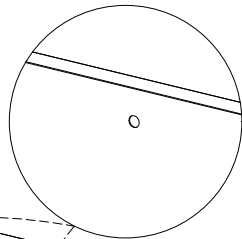
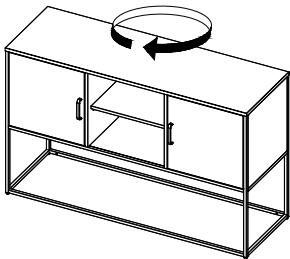
13

STEP 1



14

After rotating the cabinet, install No. 14 and No. 15 in the direction shown, and then install A in place; Pay attention to distinguish the features of No. 14 and No. 15 and the installation direction.

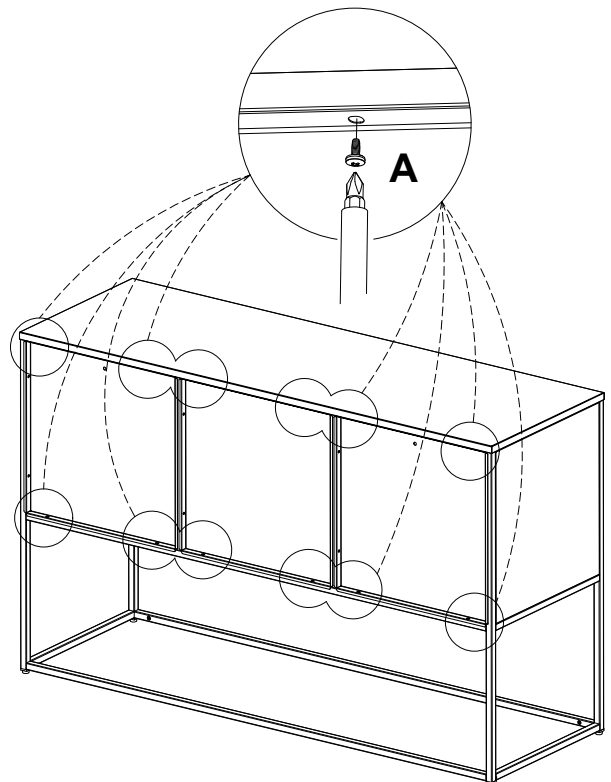
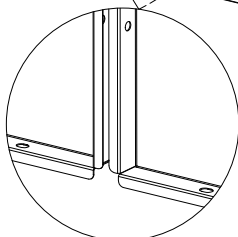


14

15

14

1

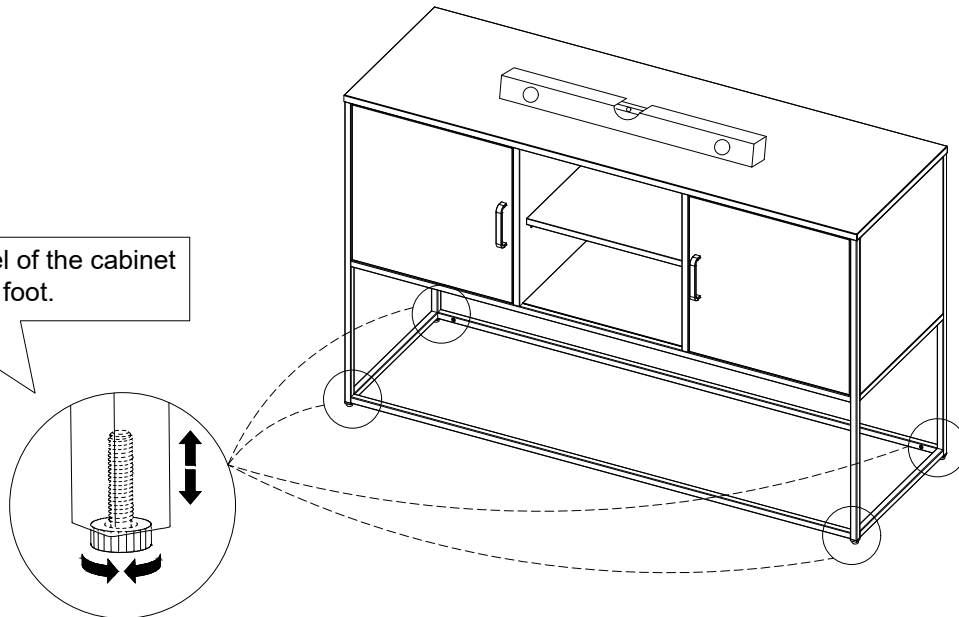


A

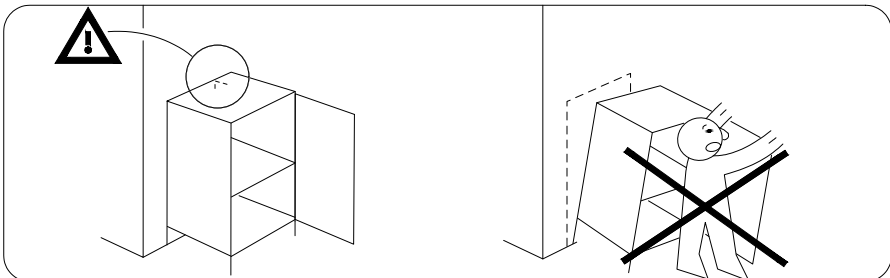
 **A×12**

15

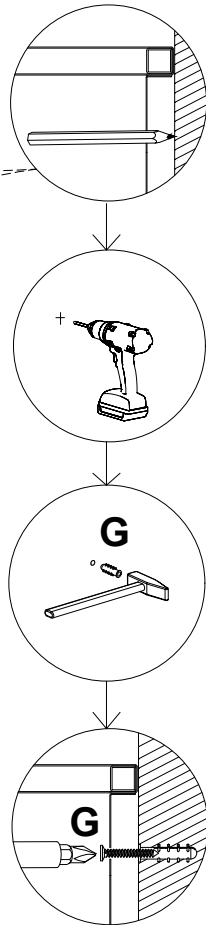
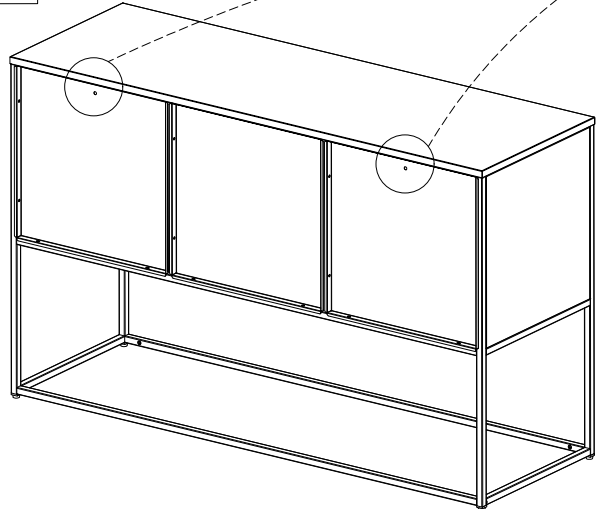
Adjust the level of the cabinet by rotating the foot.



16



This step is to connect the cabinet to the wall. If not, please ignore it.



17

