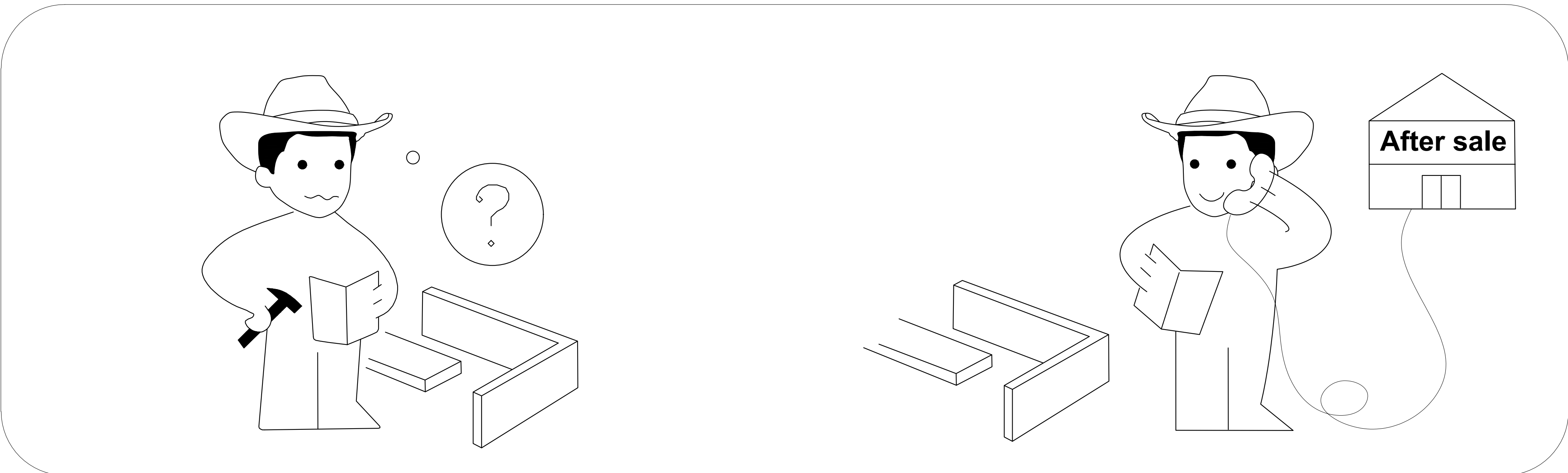
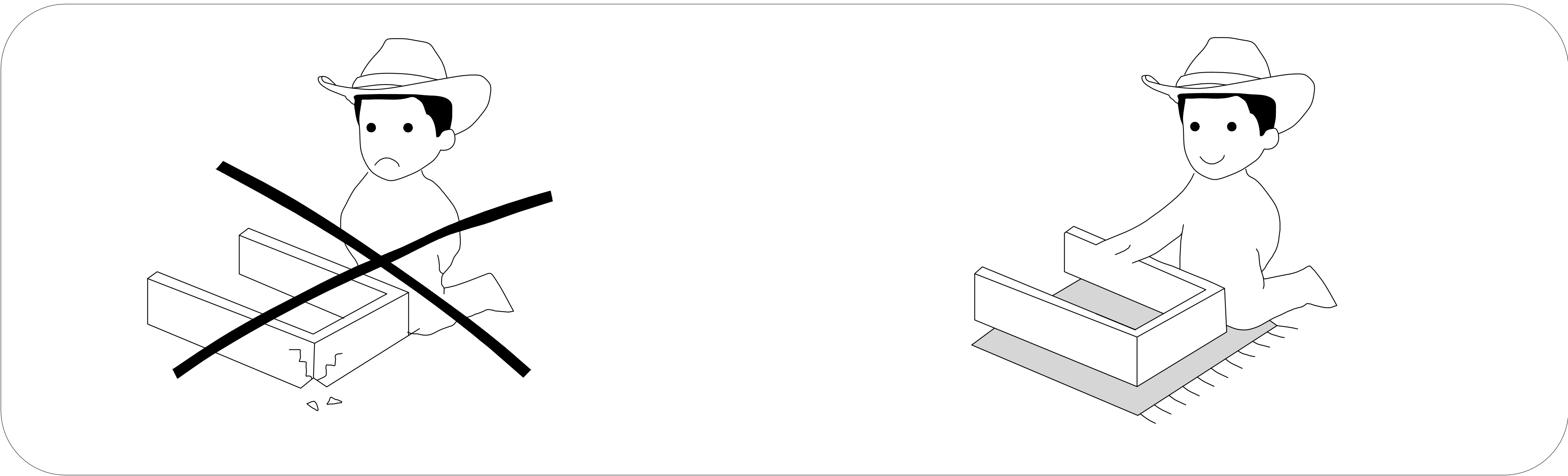
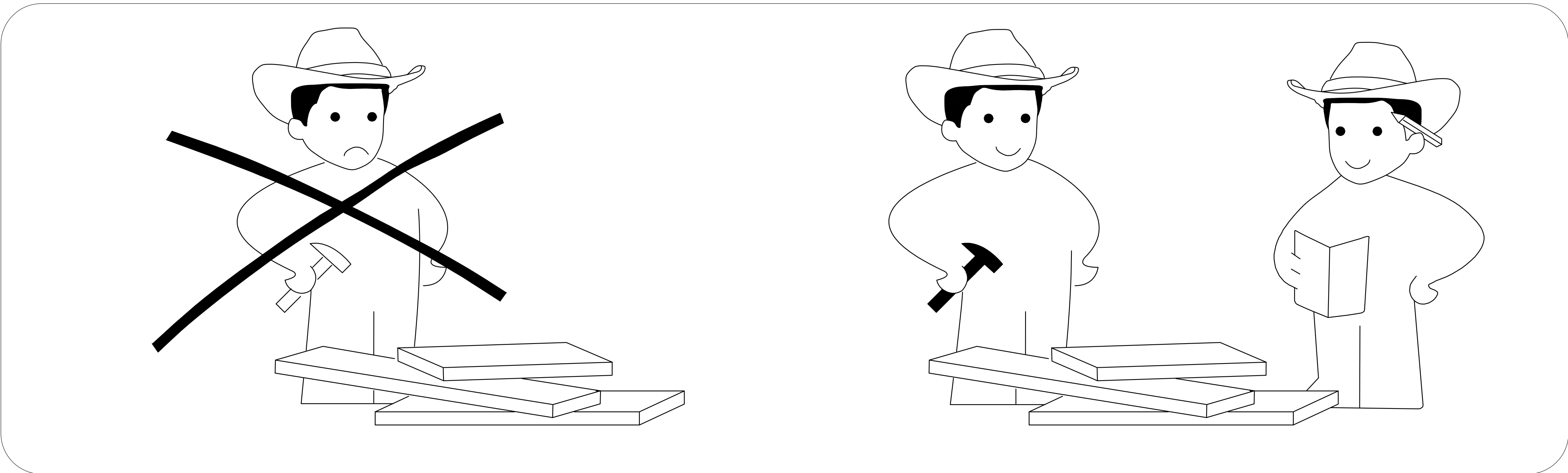
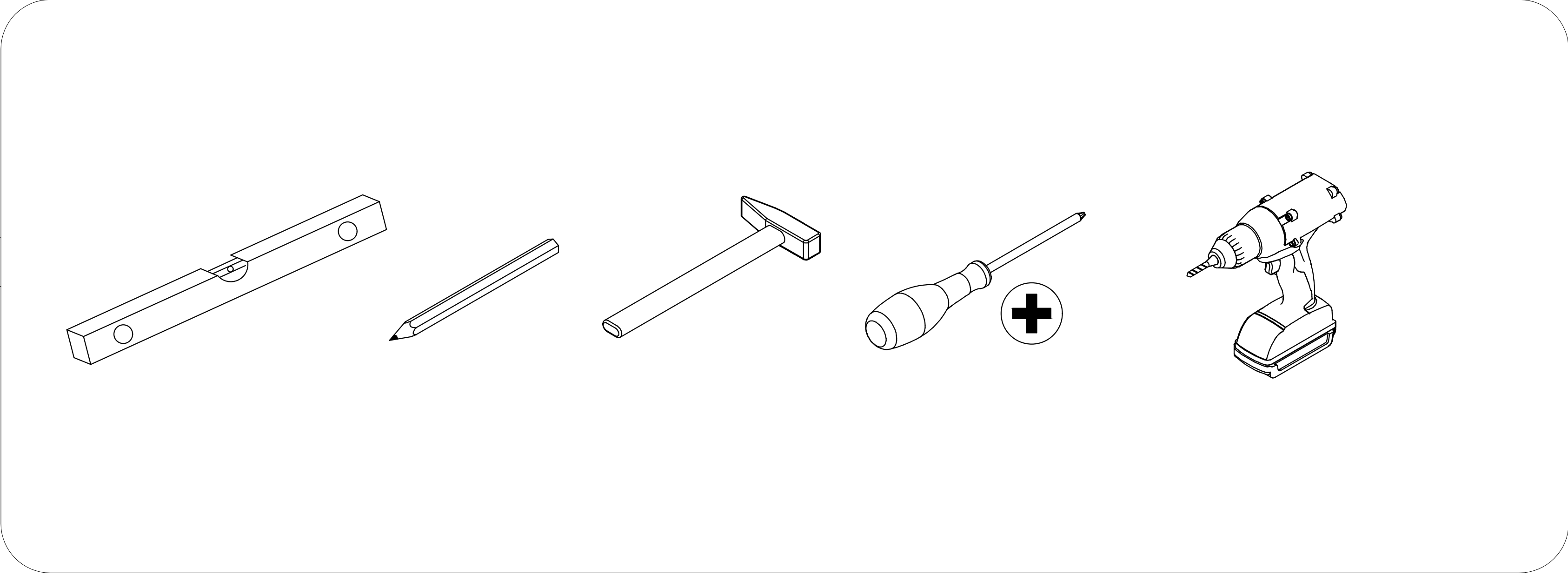
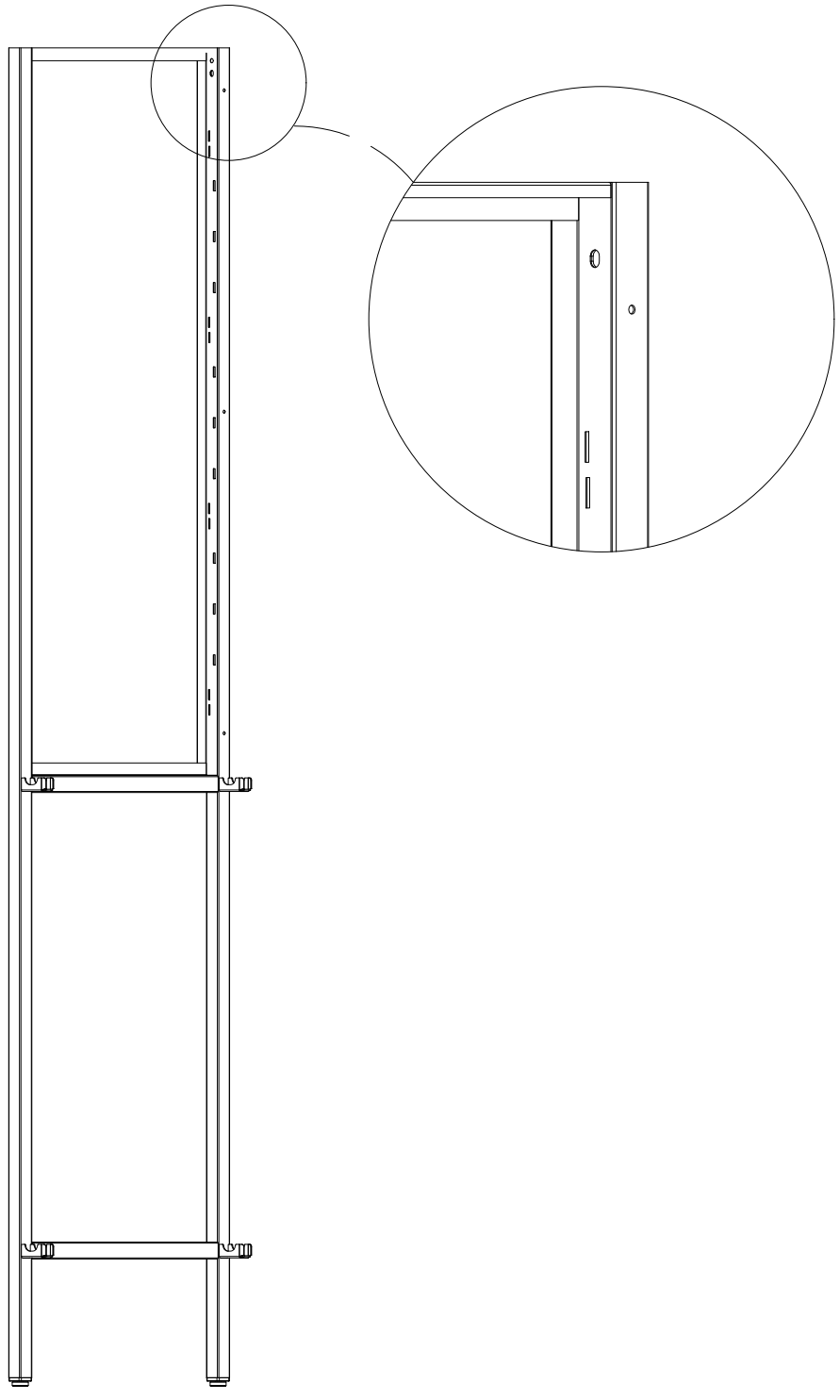


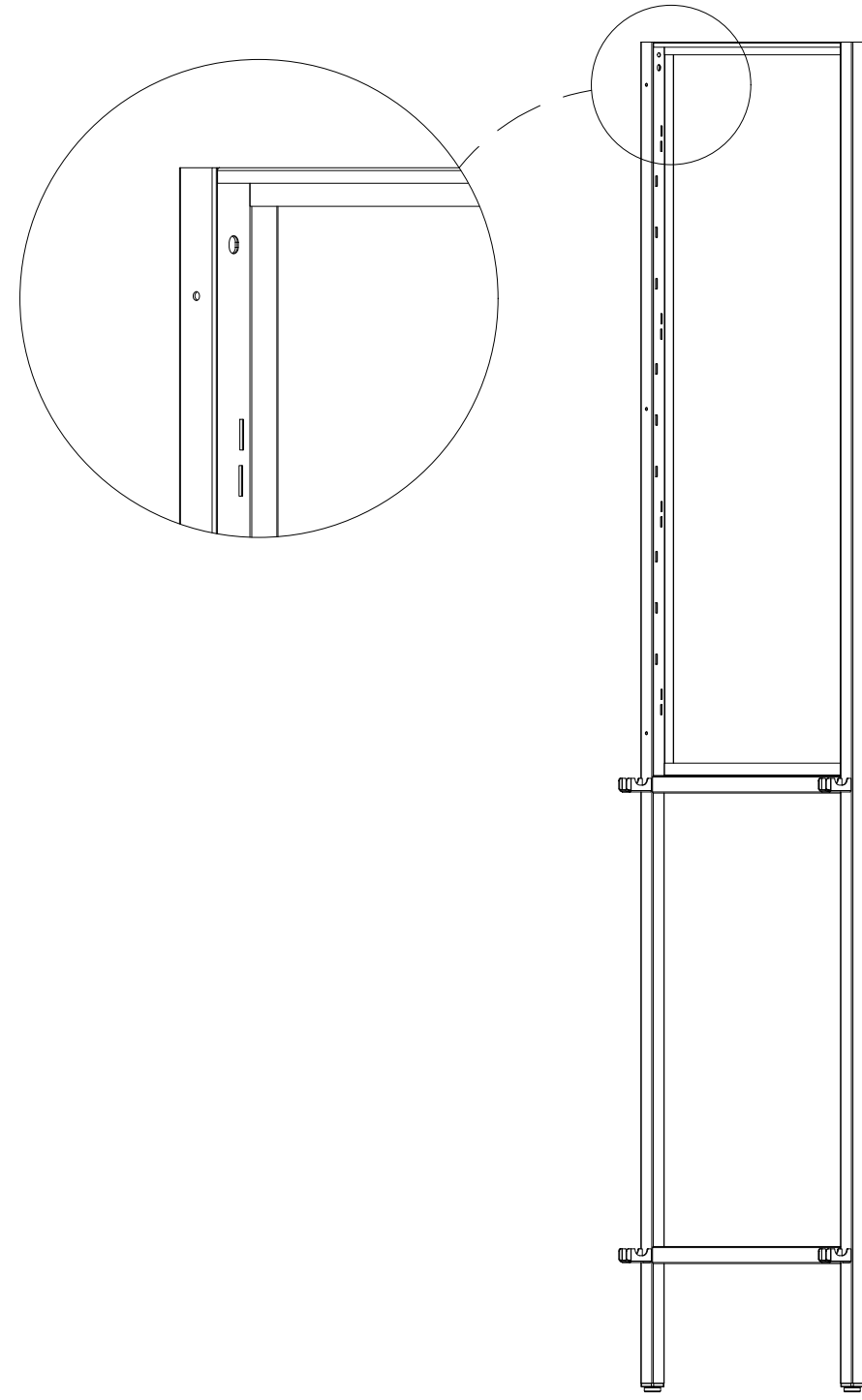
Installation video



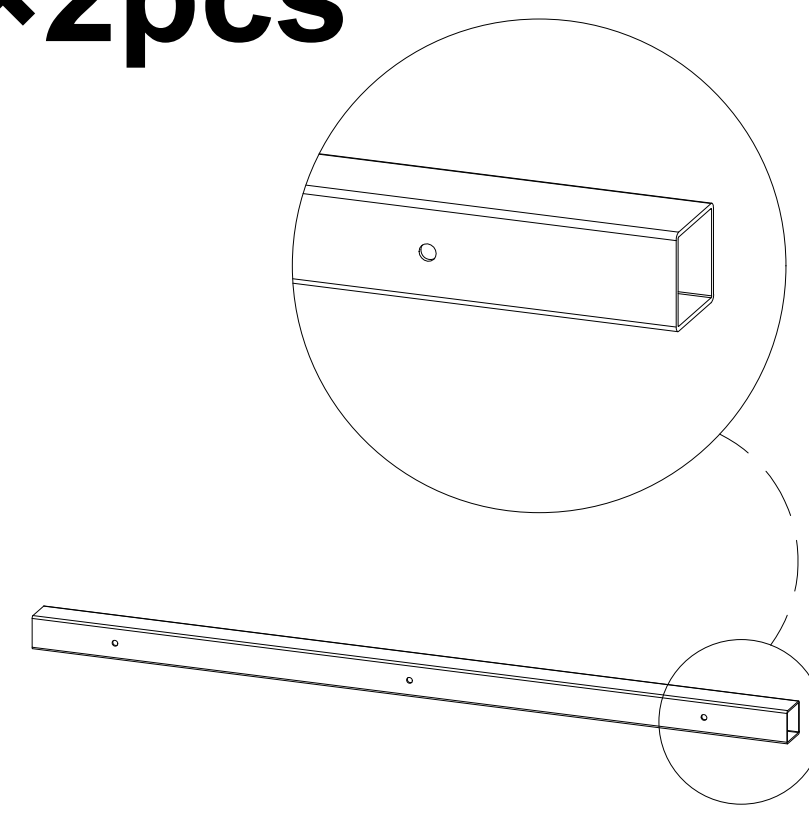
1×1pc



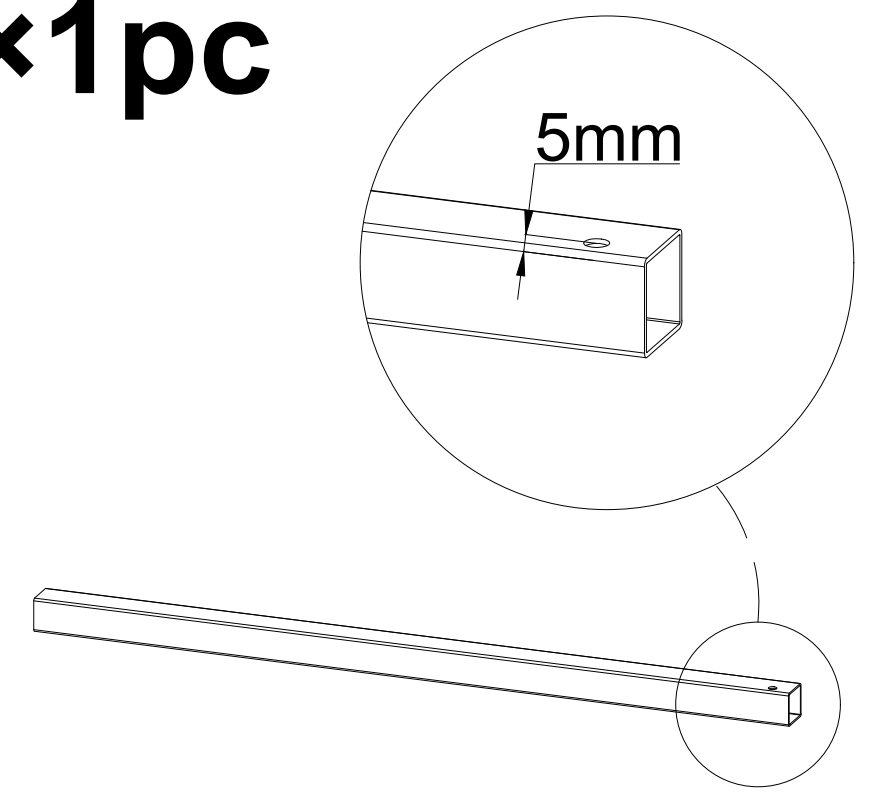
2×1pc



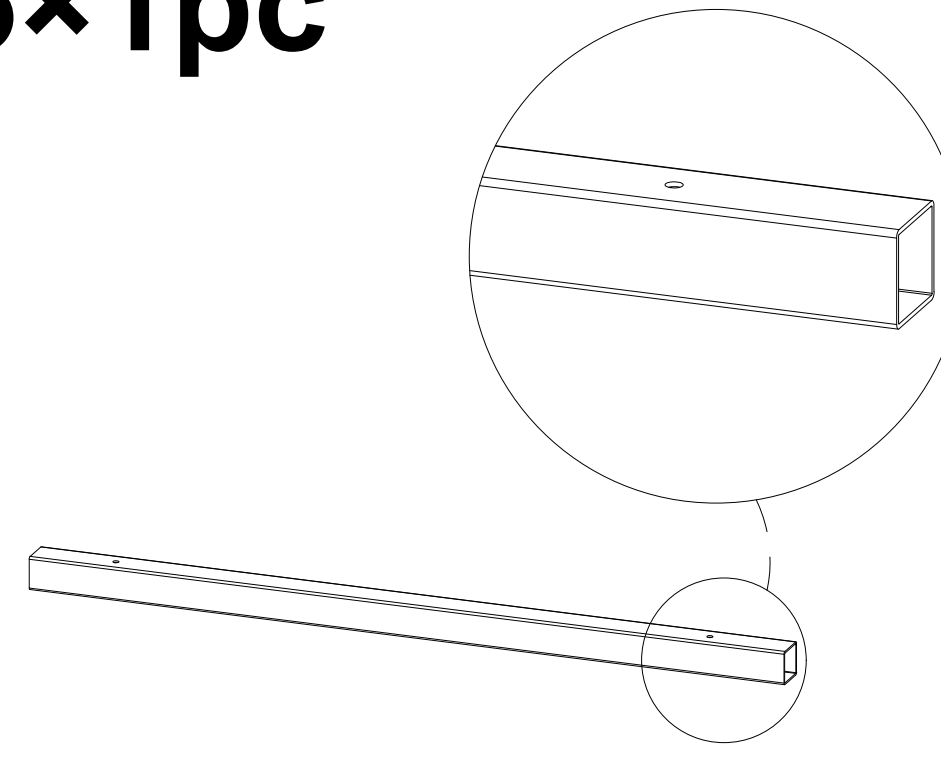
3×2pcs



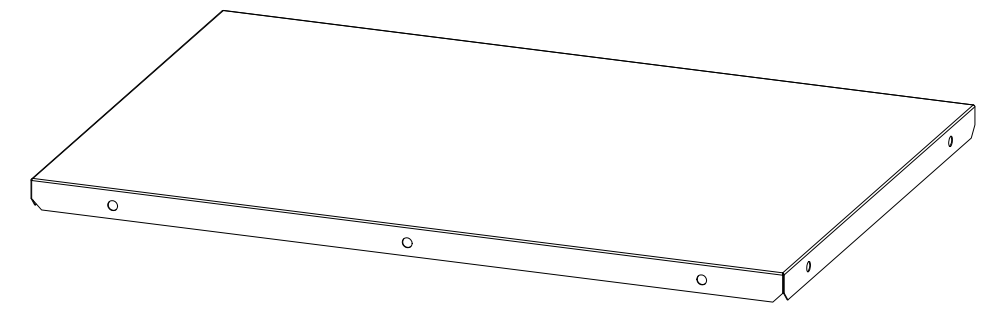
4×1pc



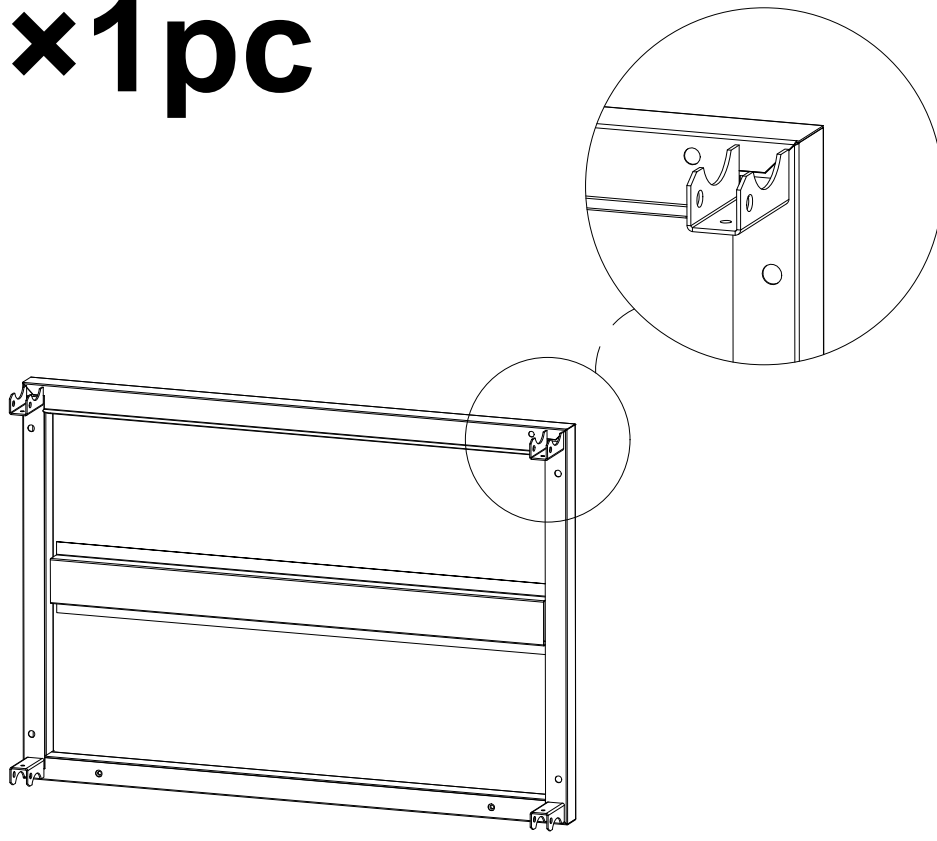
5×1pc



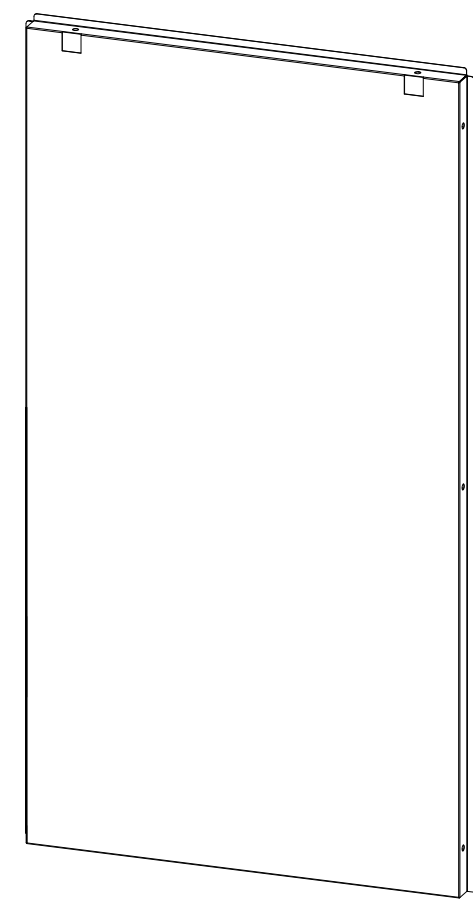
6×1pc



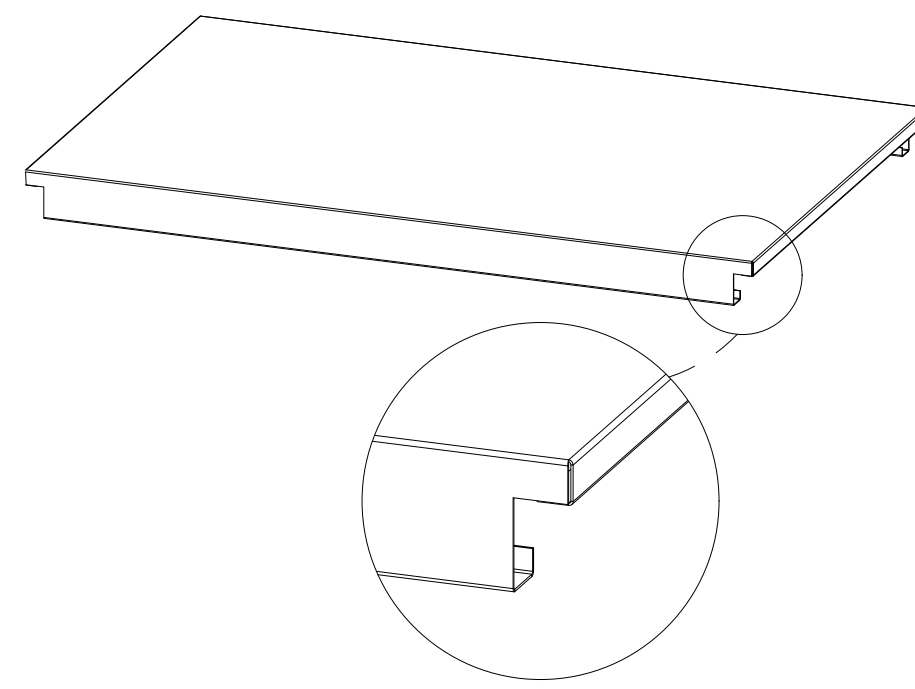
7×1pc



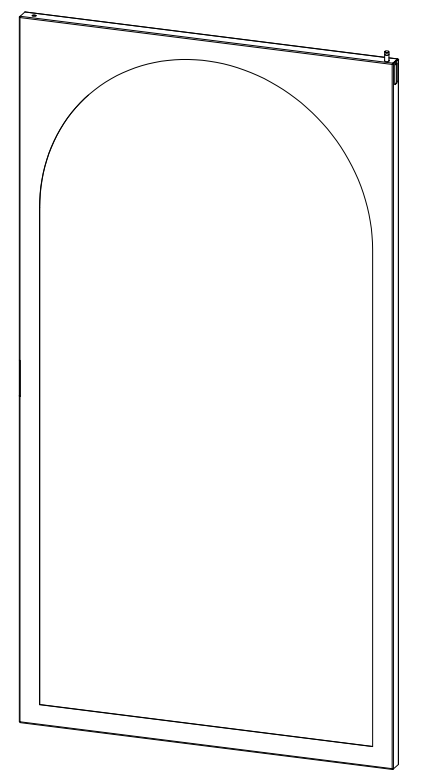
8×1pc



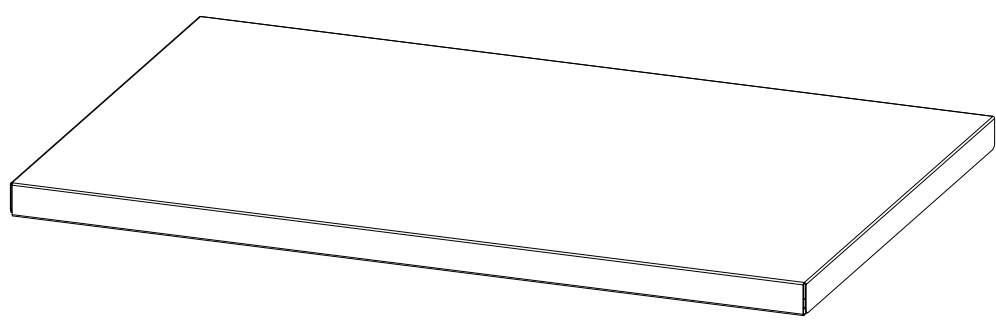
9×1pc



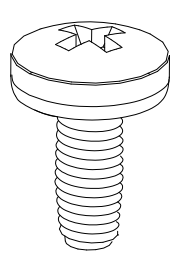
10×1pc



11×3pcs

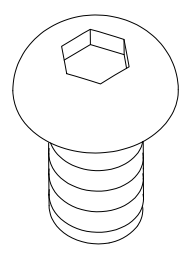


A×32pcs



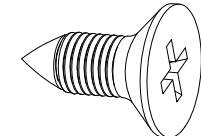
M4×8 mm

B×8pcs



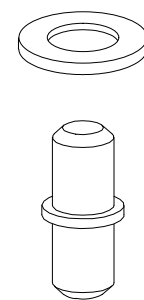
M6×10 mm

C×2pcs



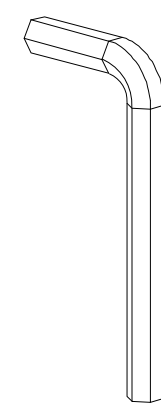
M3×10 mm

D×1pc



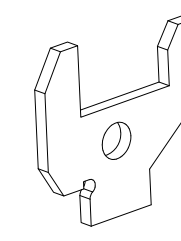
Ø4.8×22 mm

E×1pc

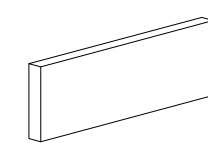
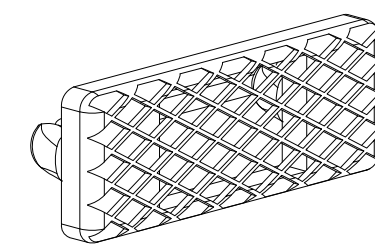


4 mm

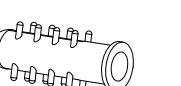
F×12pcs



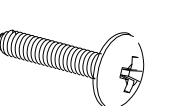
G×2pcs



H×2pcs

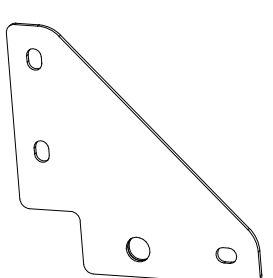


M8

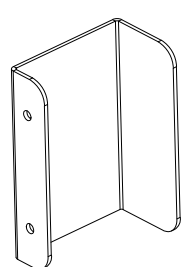


M5×40 mm

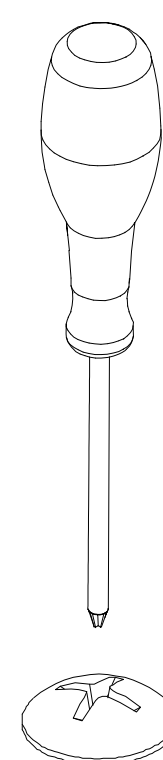
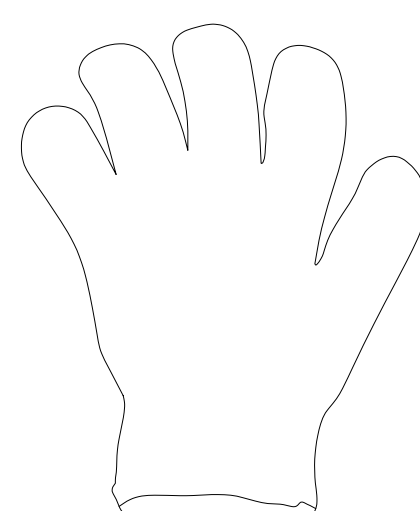
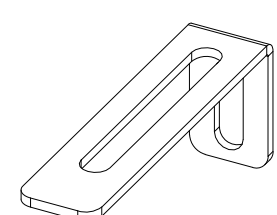
I×4pcs

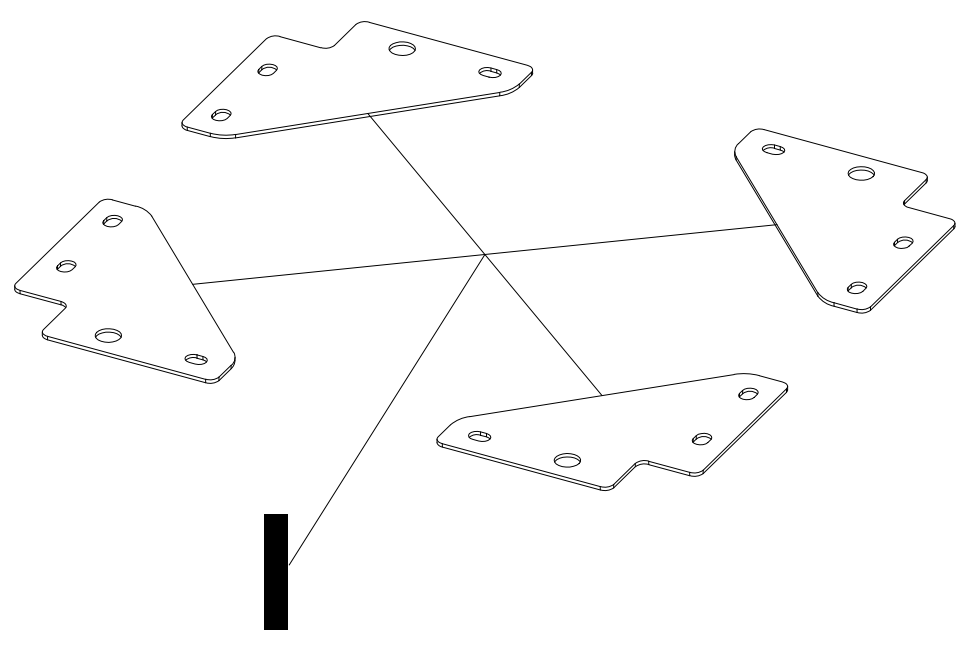
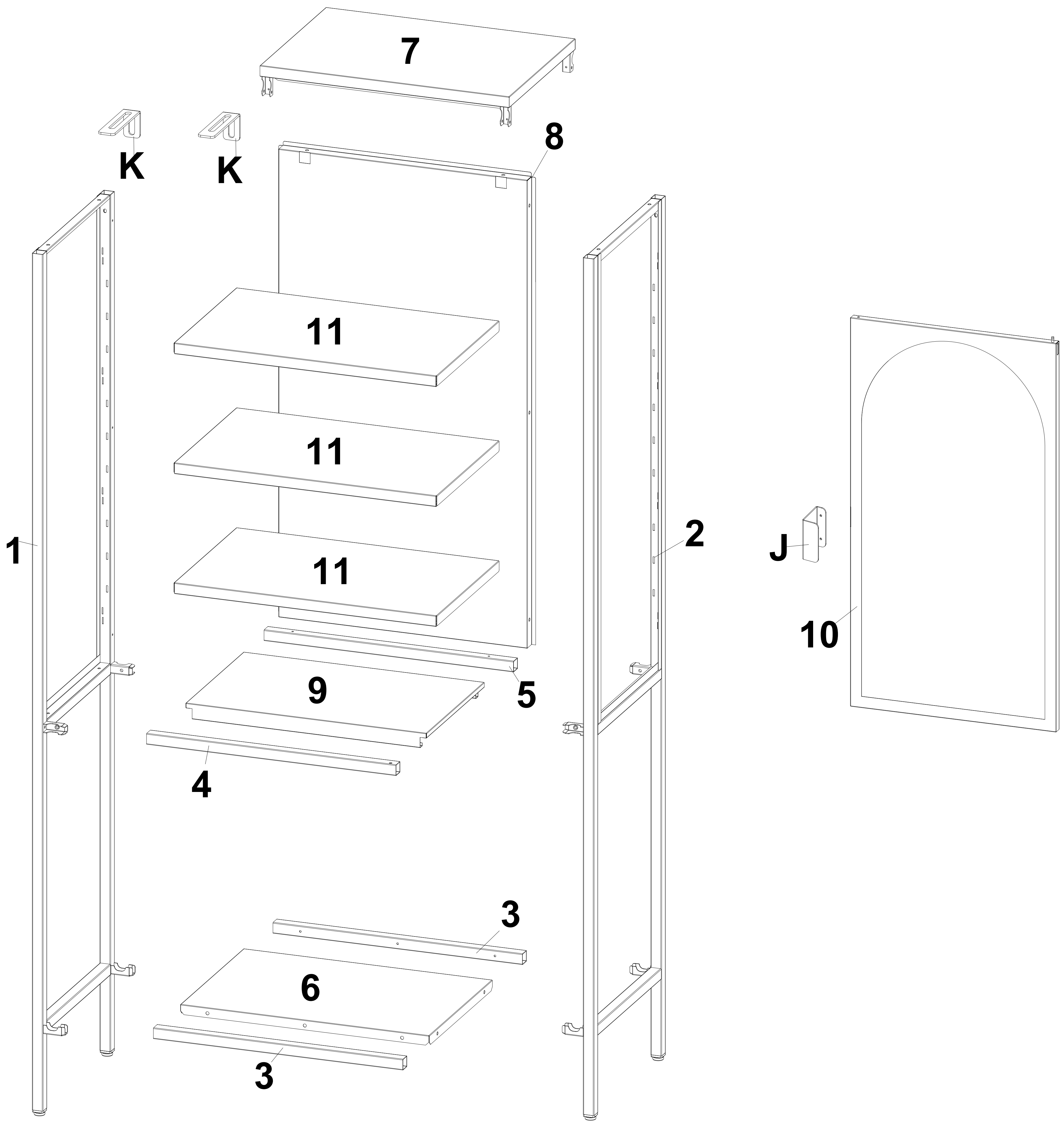


J×1pc

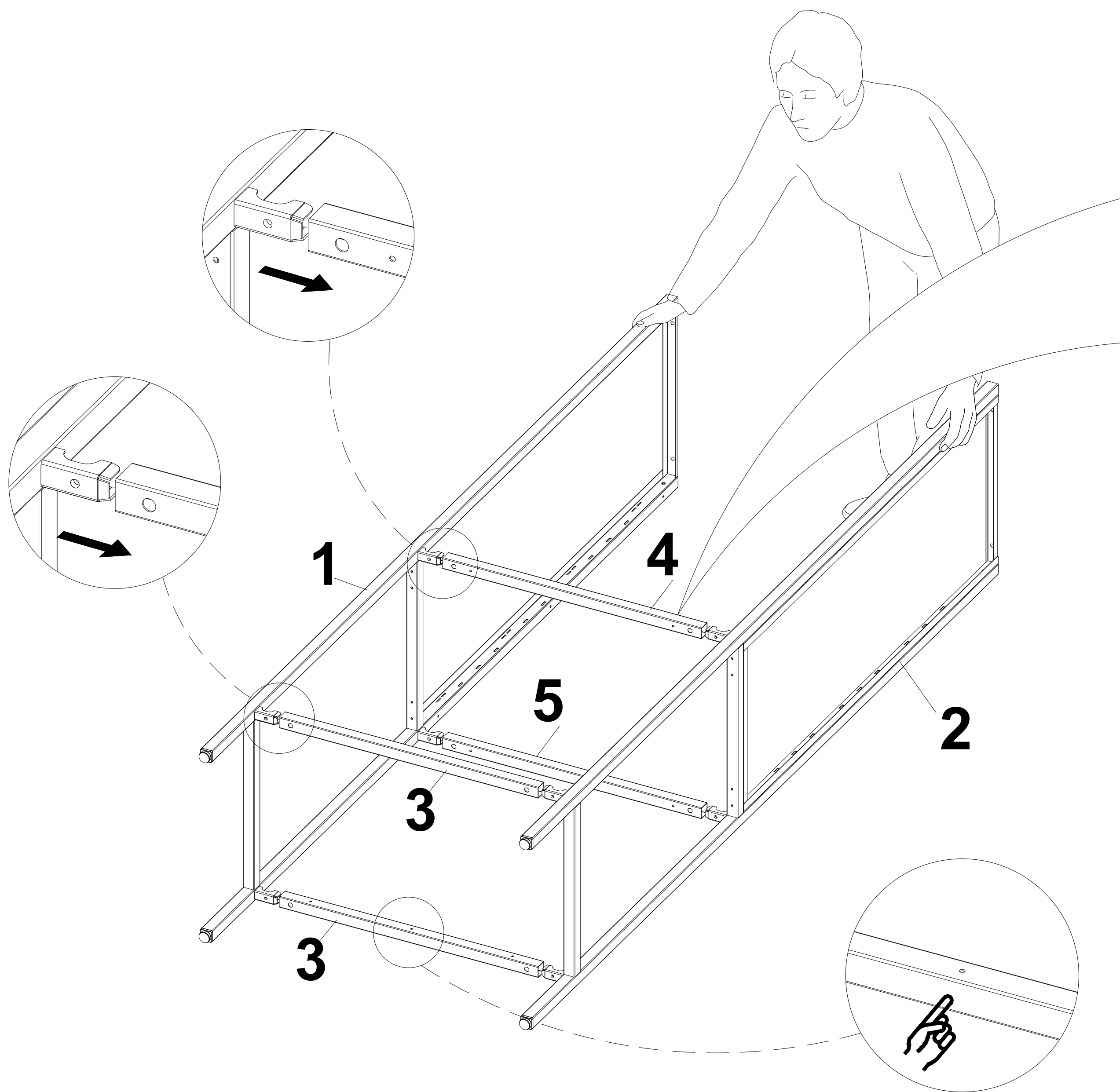


K×2pcs

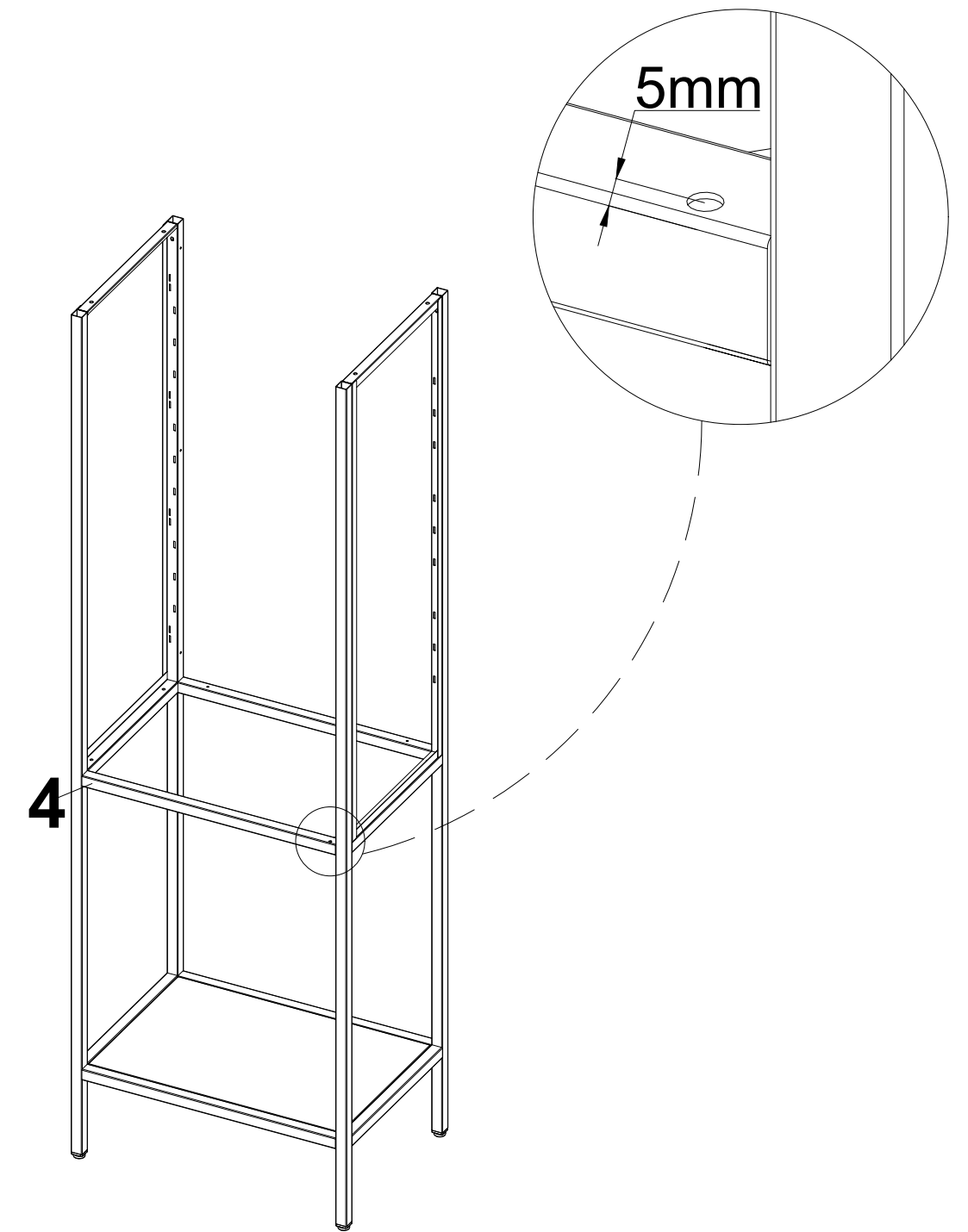




1

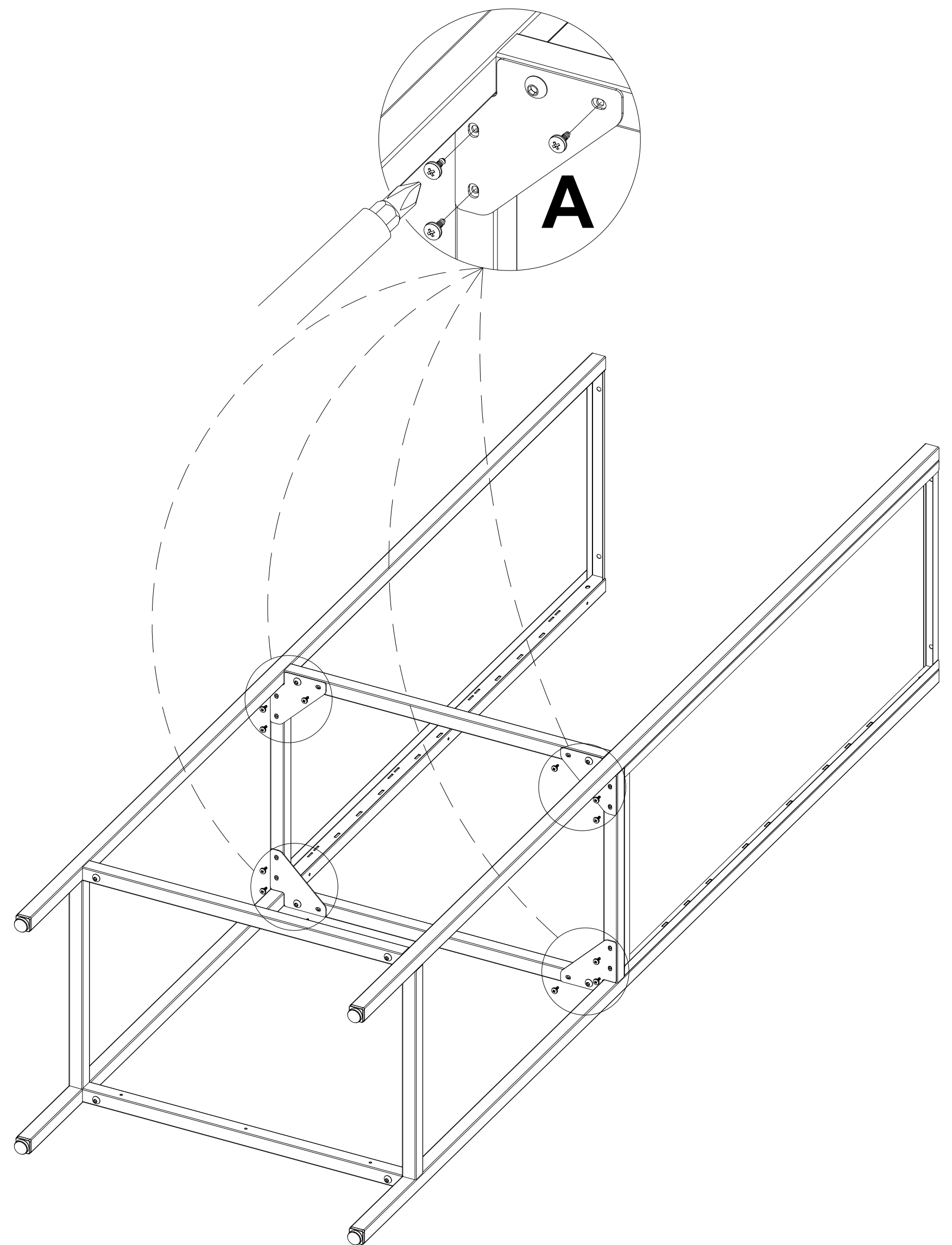
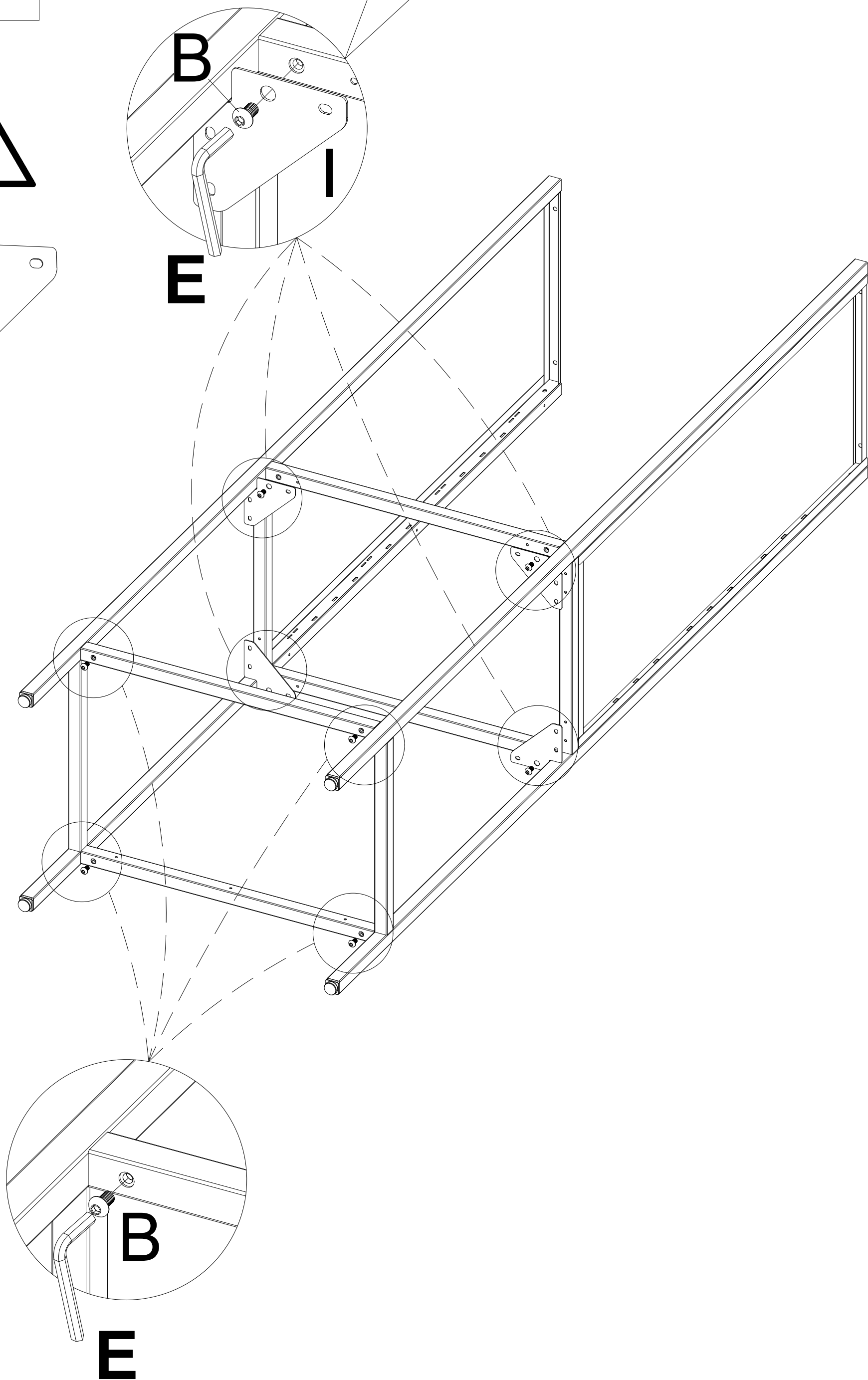
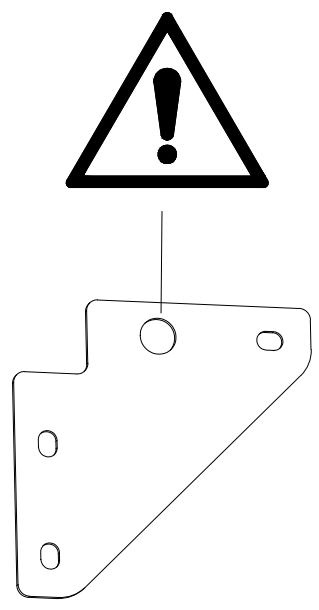


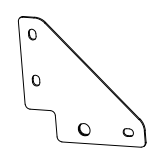

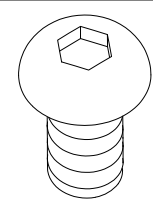
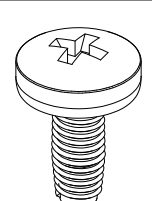
Note that the position of this hole is on the outer side. When installing, differentiate between the front and back orientation of pipe number 4, as well as the left and right direction.



2

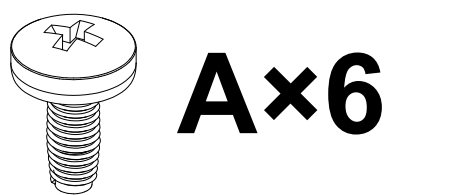
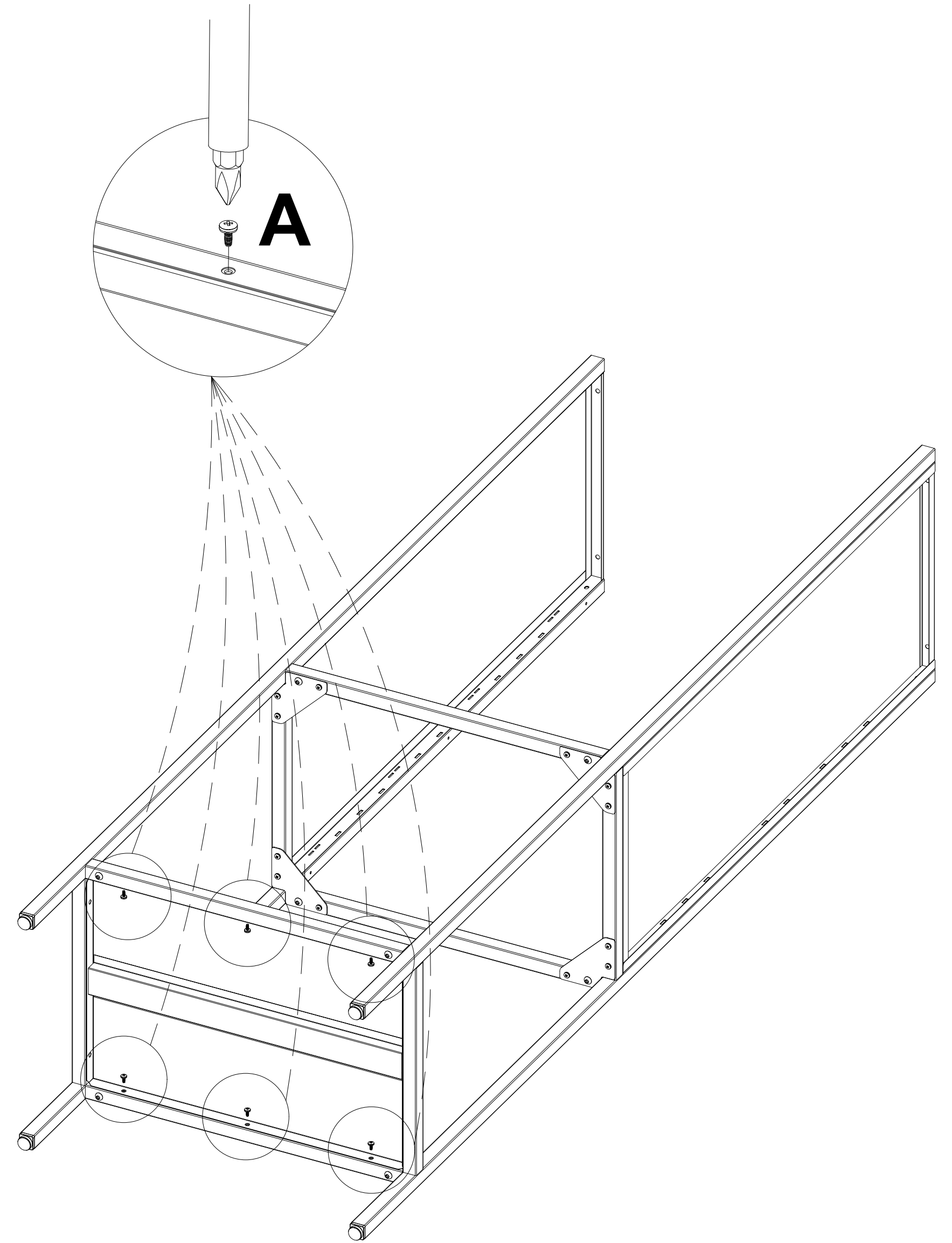
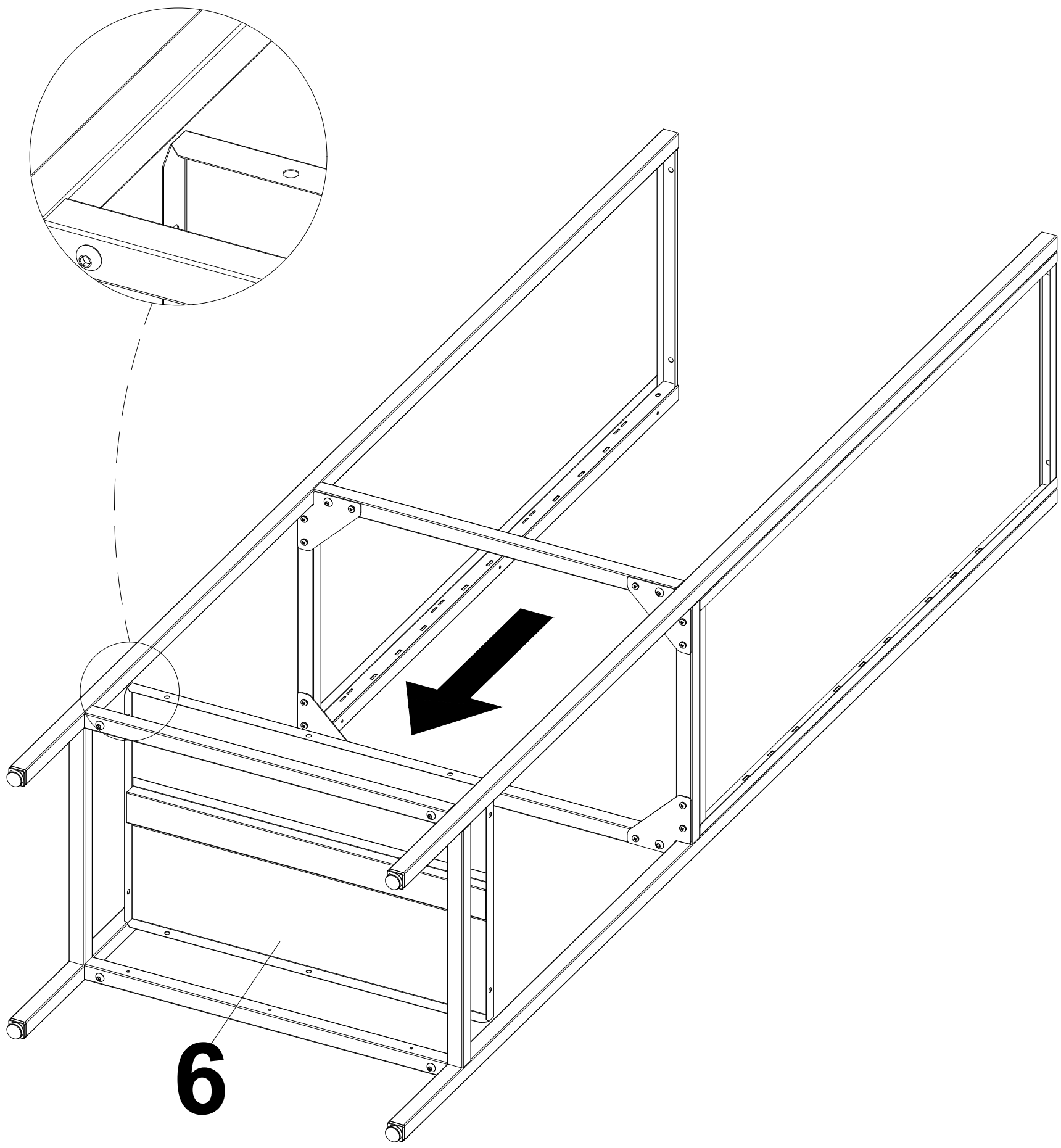
Please align the round hole on the triangular piece with the largest hole on the pipe, and secure it with screw B before installing it with screw A.



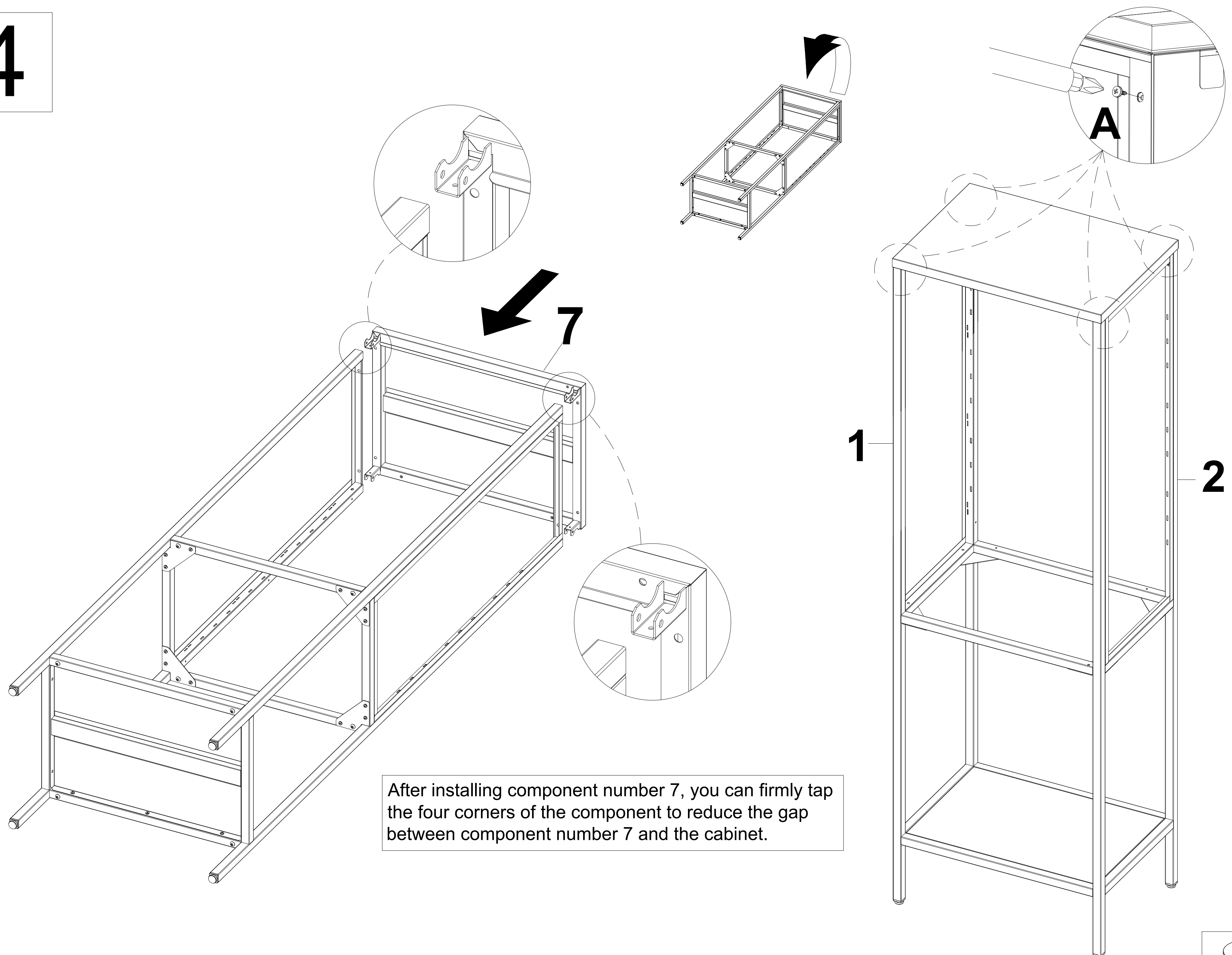
- | | | | |
|--|--|--|---|
|  I×4 |  E×1 |  B×8 |  A×12 |
|--|--|--|---|

3

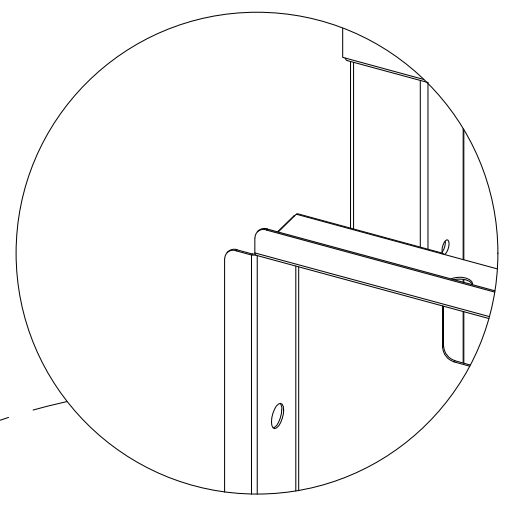
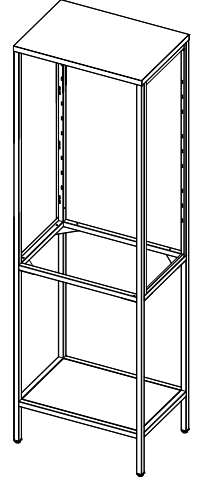
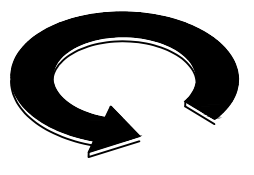
Install component No.6 in the direction shown in the diagram to the specified position, and then secure it in place with screw A.



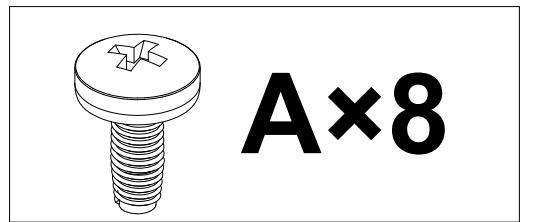
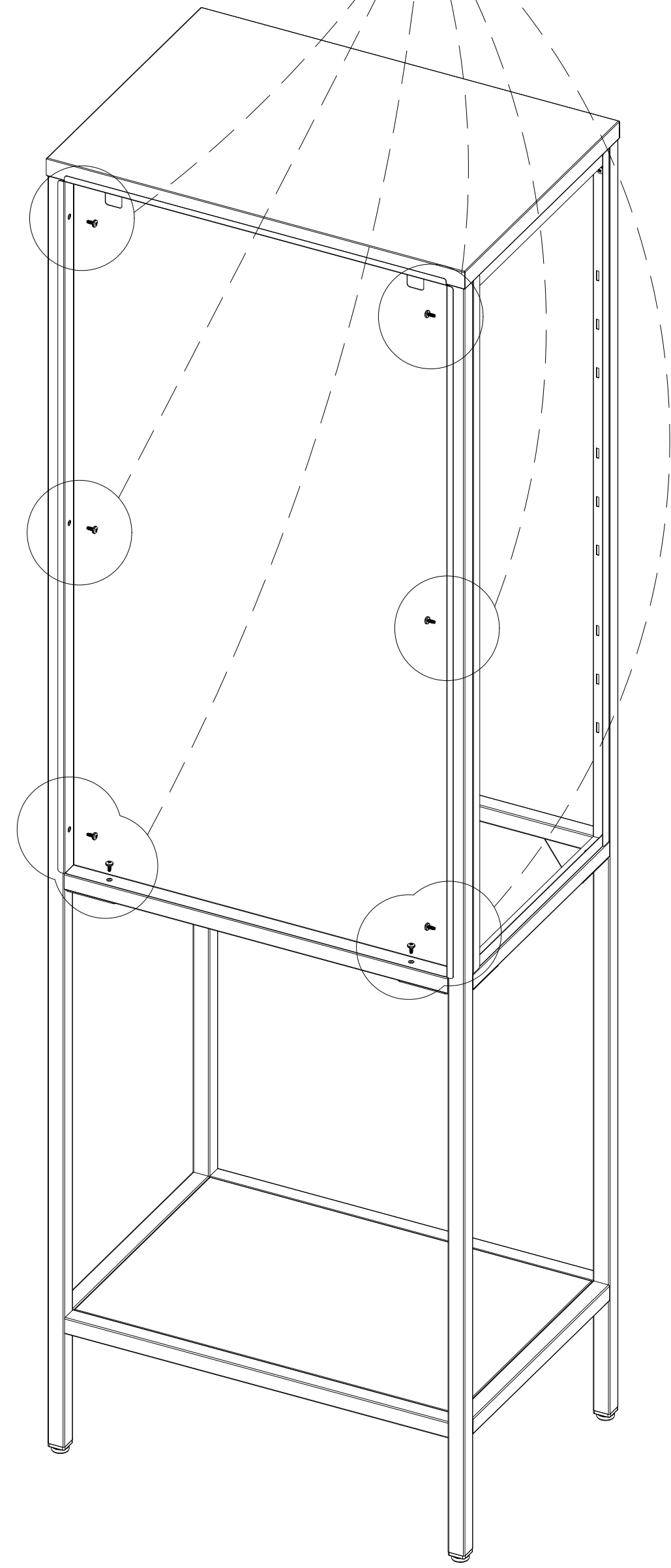
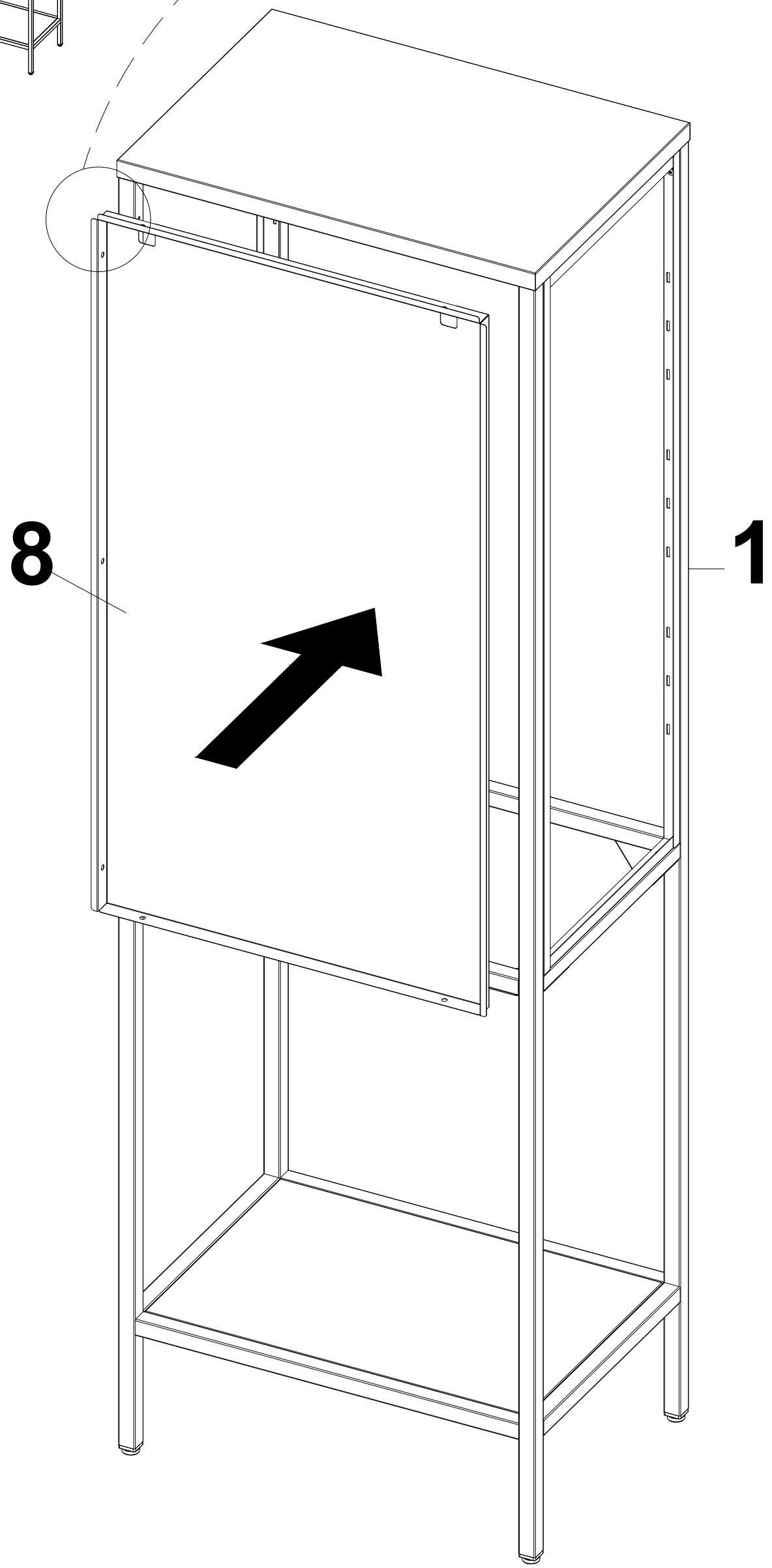
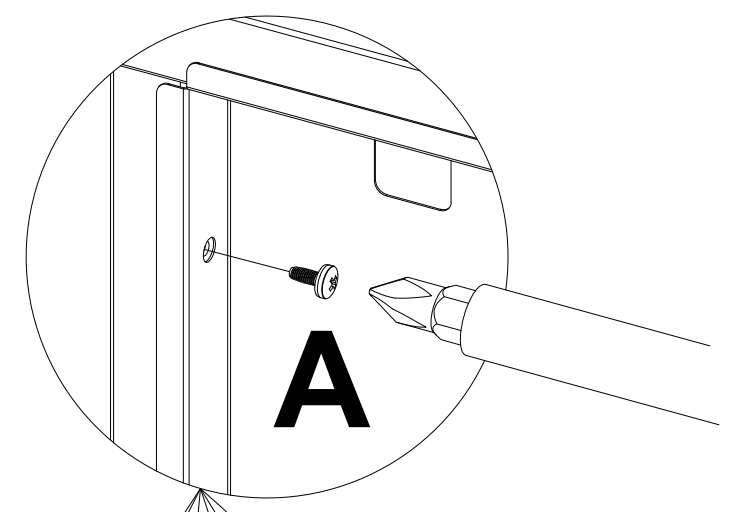
4



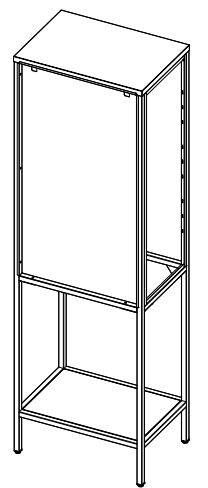
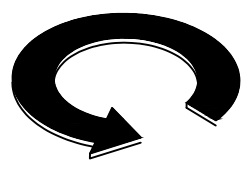
5



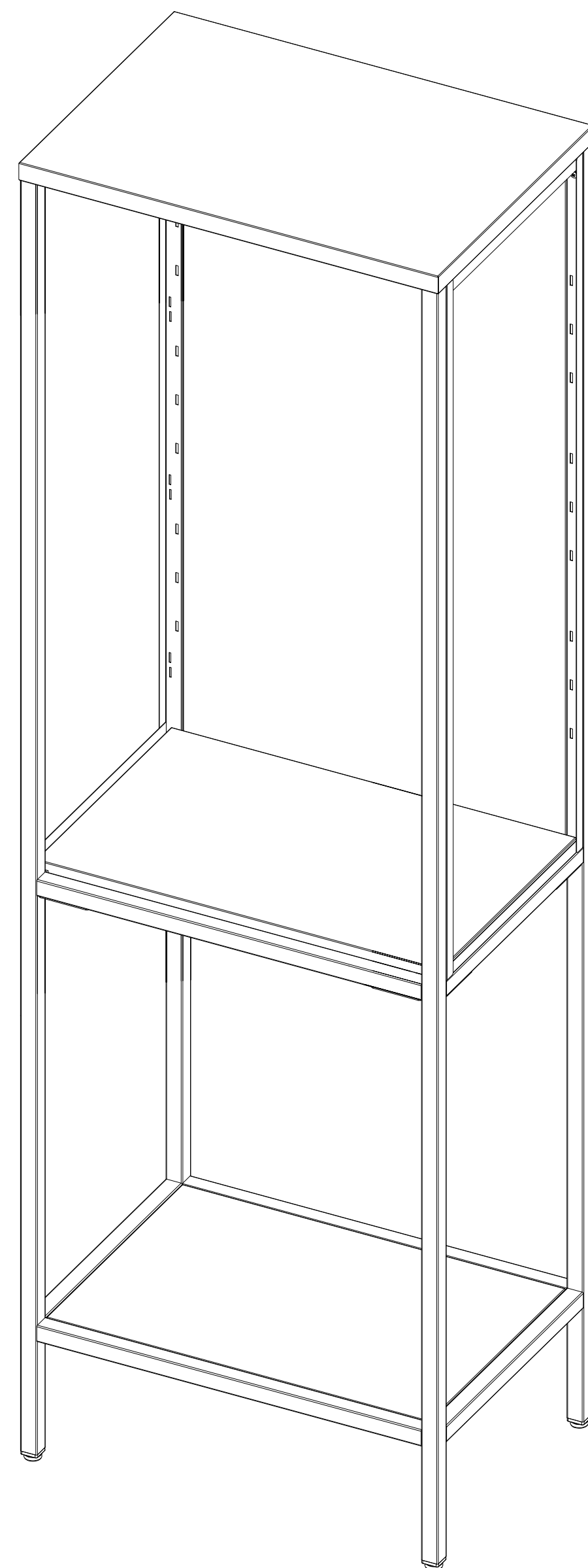
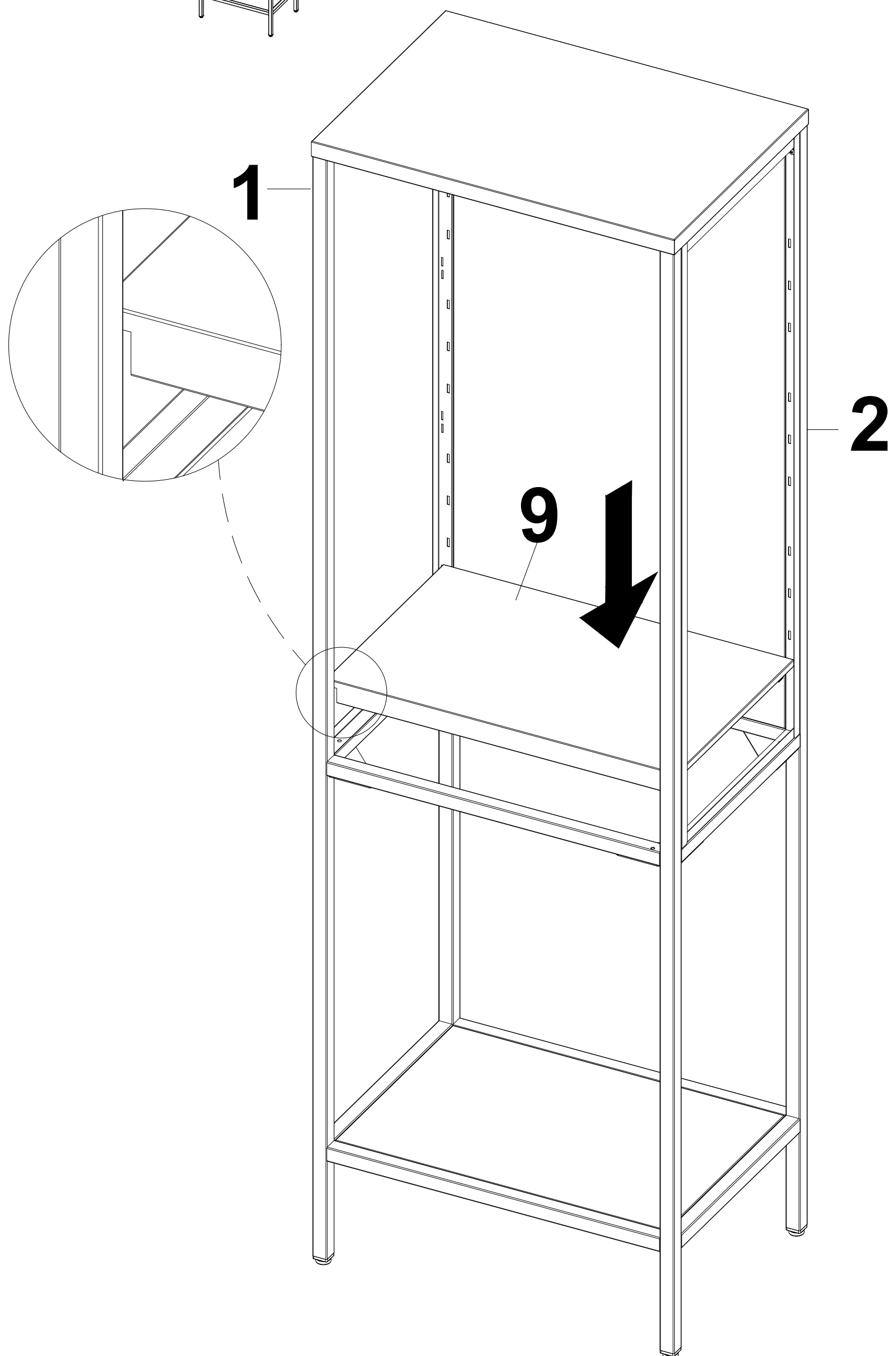
Rotate the cabinet to the position shown in the diagram before assembling, pay attention to the position of the gap and do not need to install screws at the gap.



6

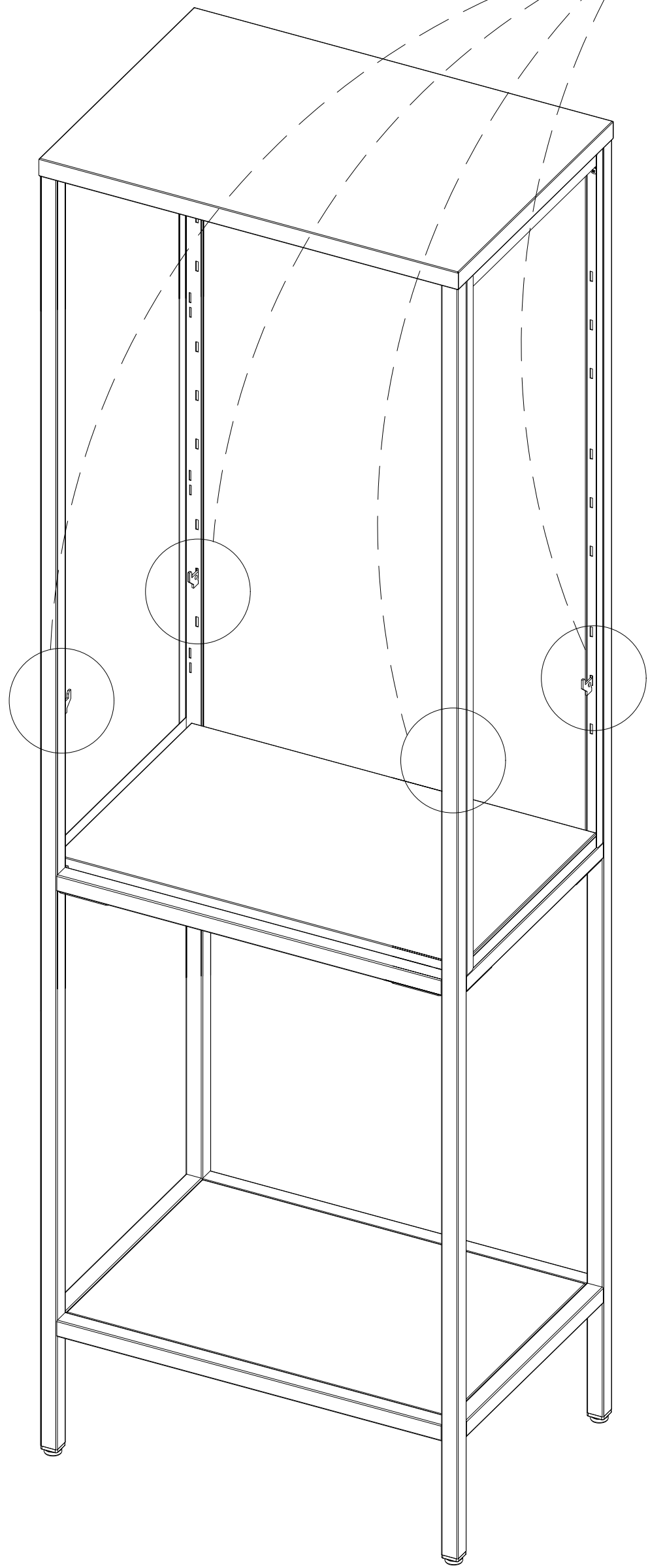
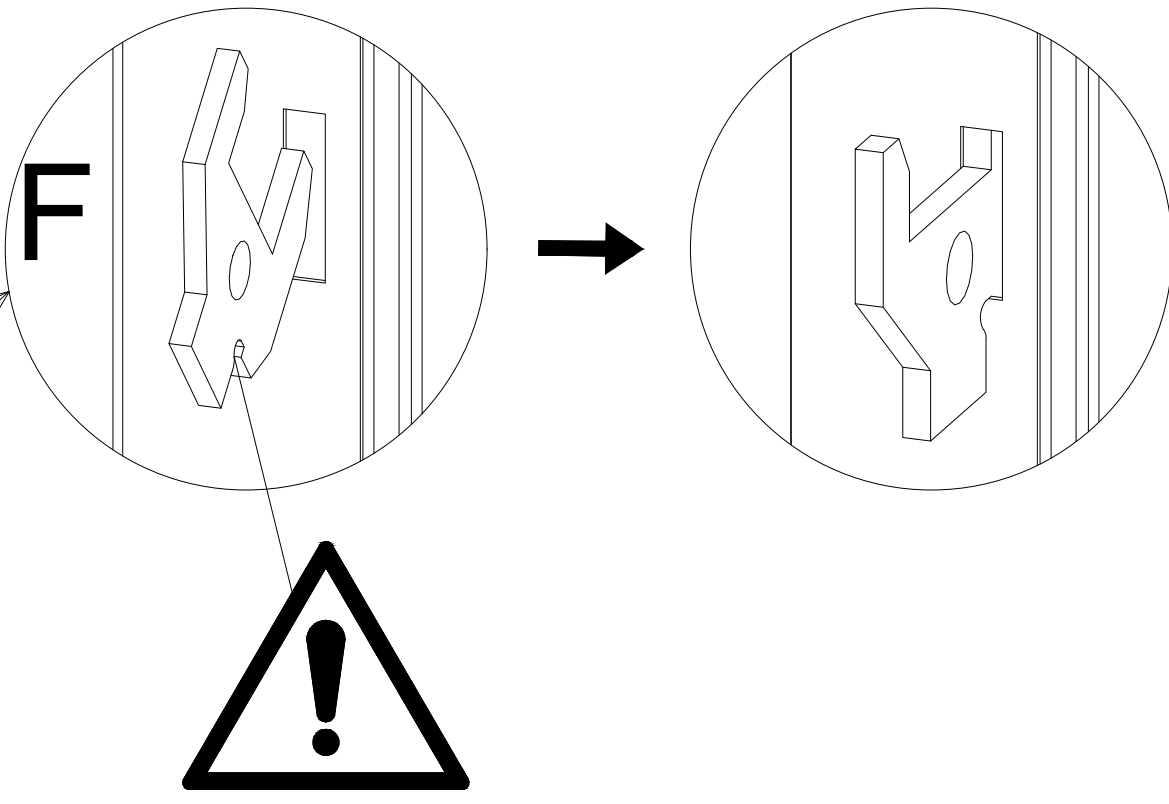


Install component 9 in the designated position according to the diagram.

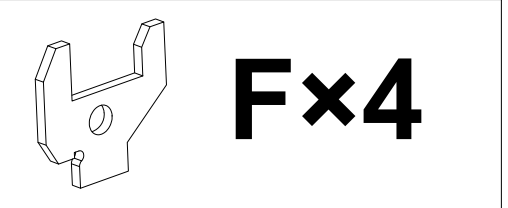
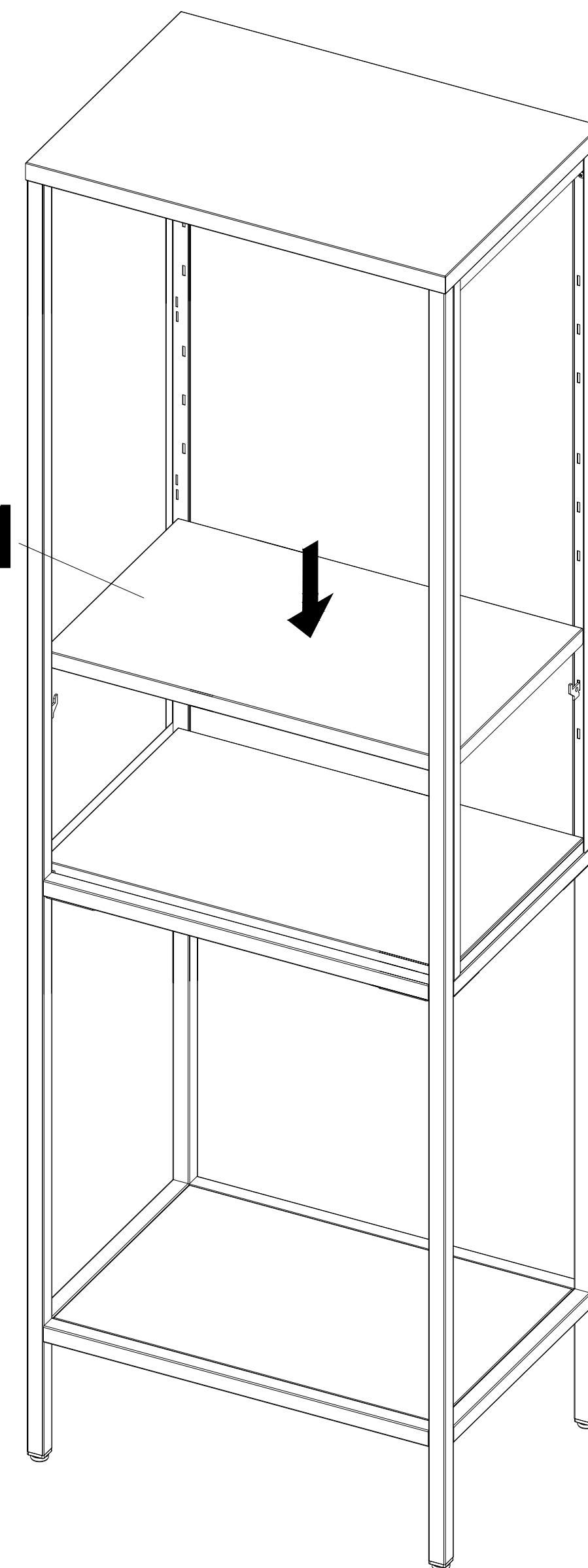


7

Please pay attention to the installation direction of accessory F.

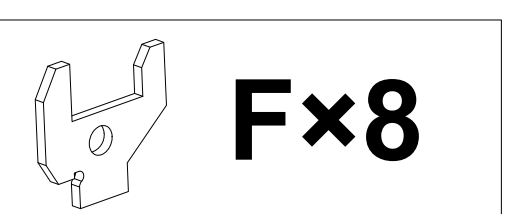
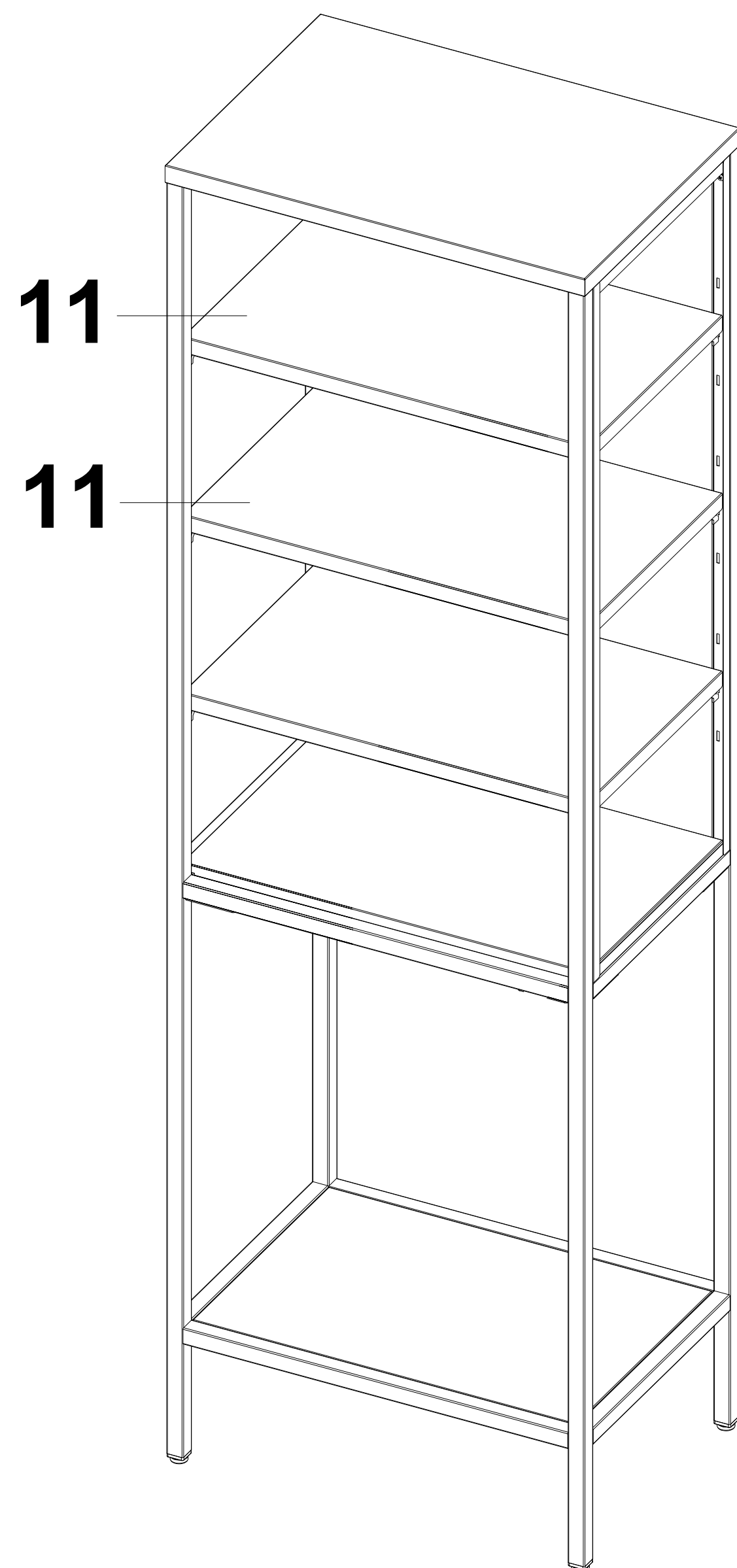


11



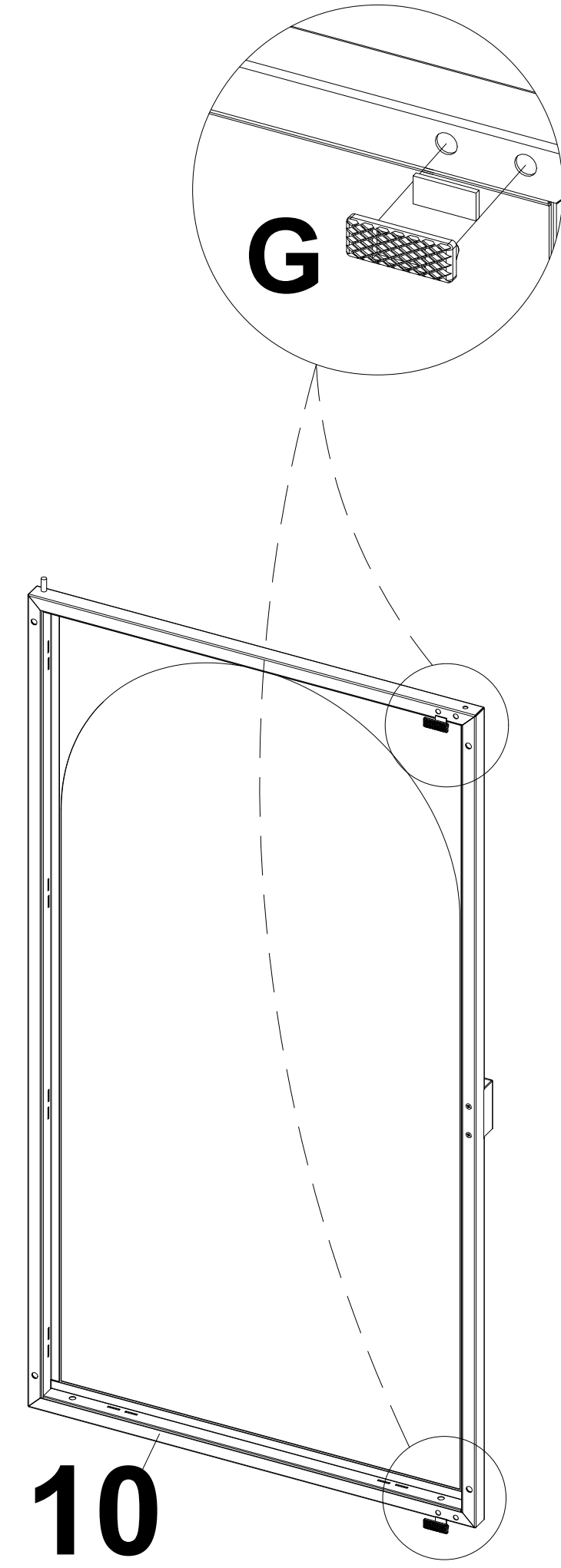
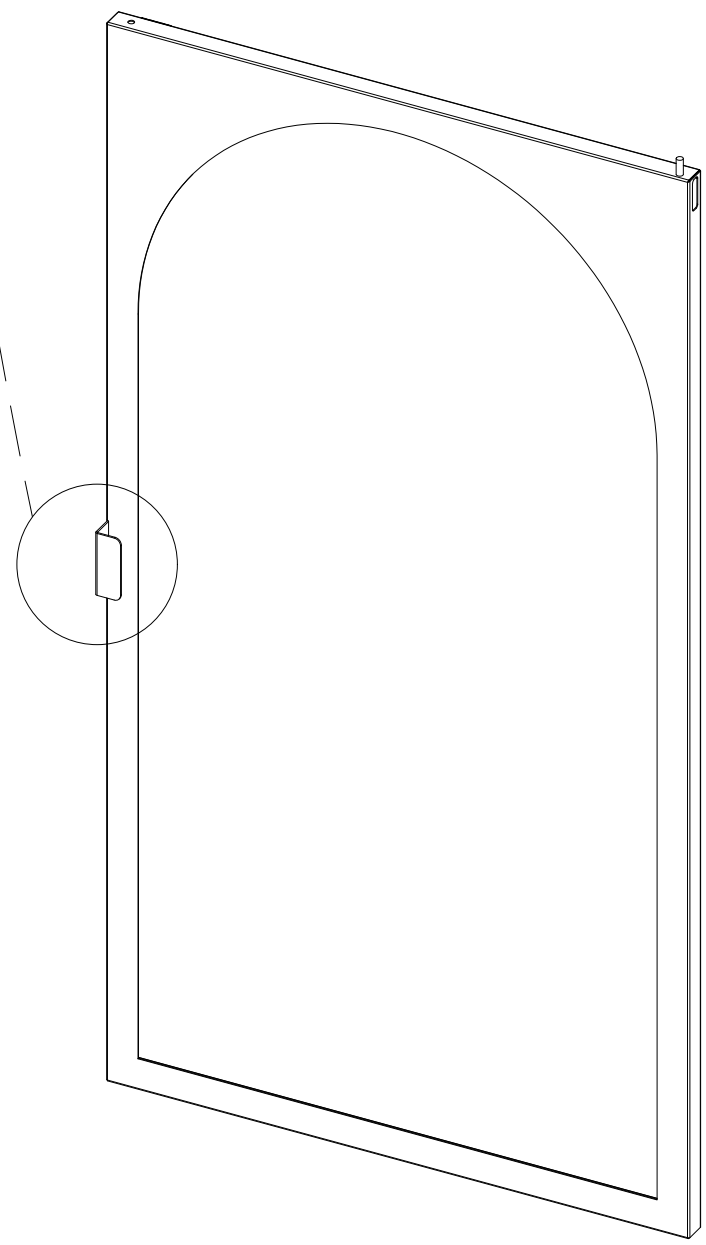
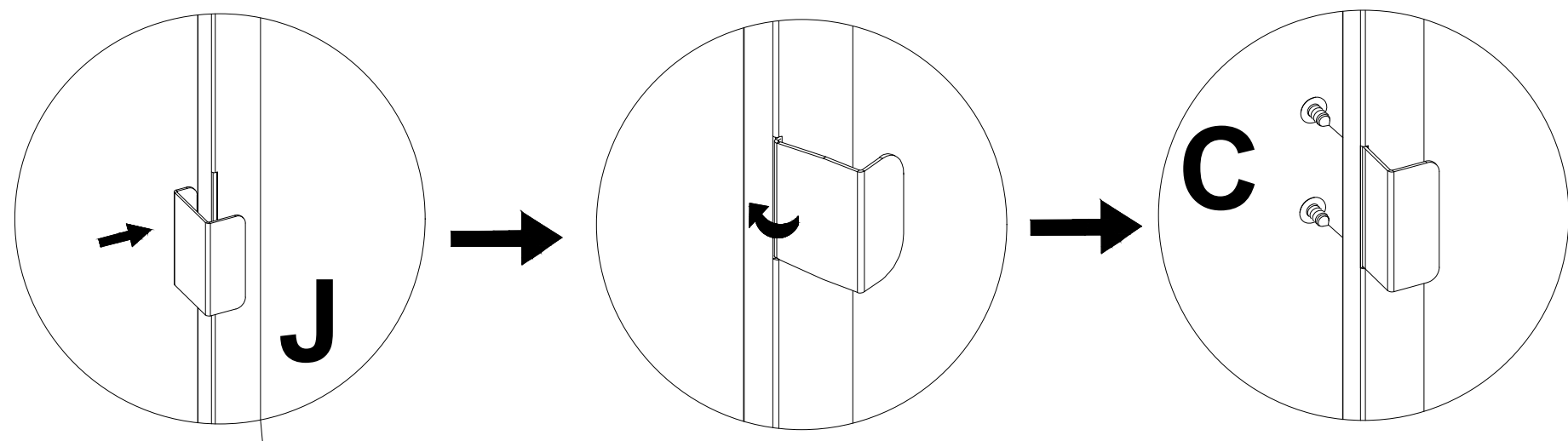
8

Install the remaining shelves on the cabinet according to step 7.



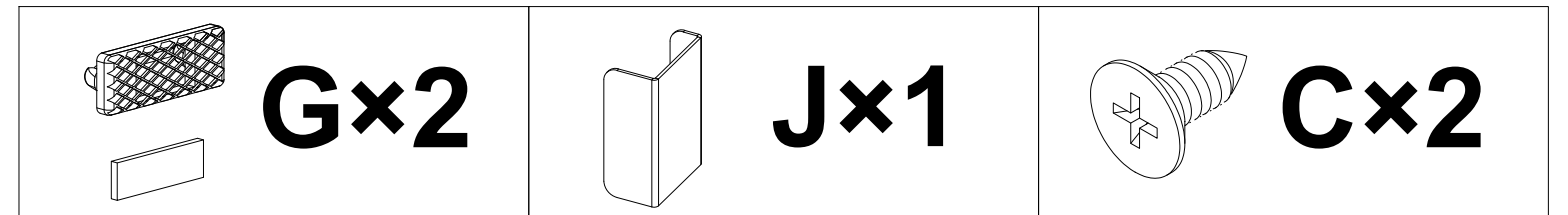
9

One G accessory consists of a magnet and a buckle.



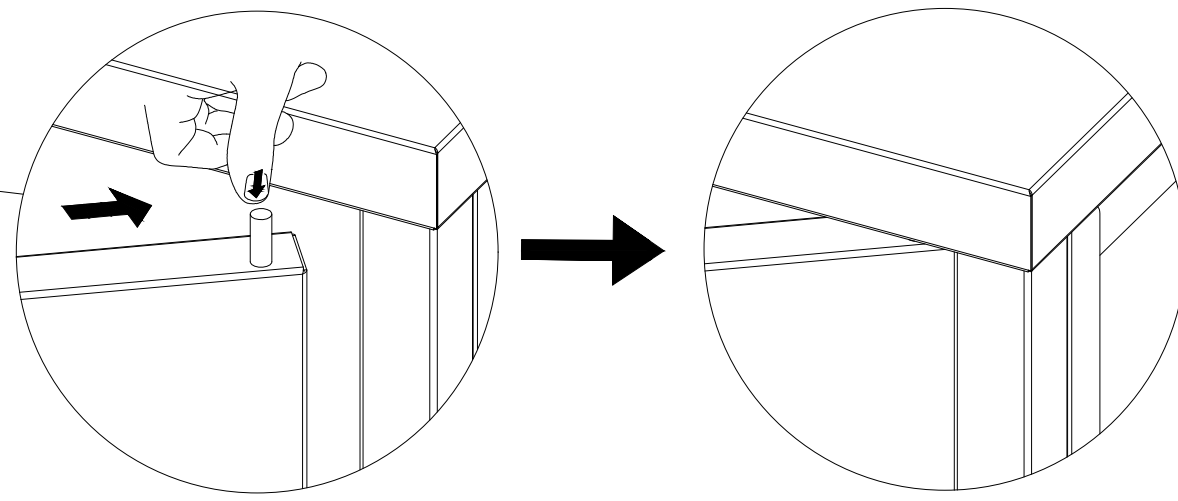
10

Install the handle in place according to the diagram.



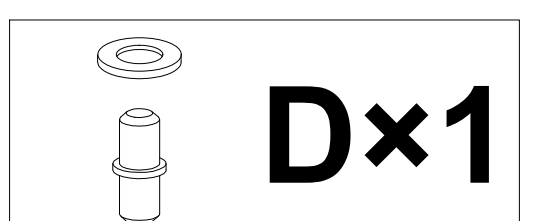
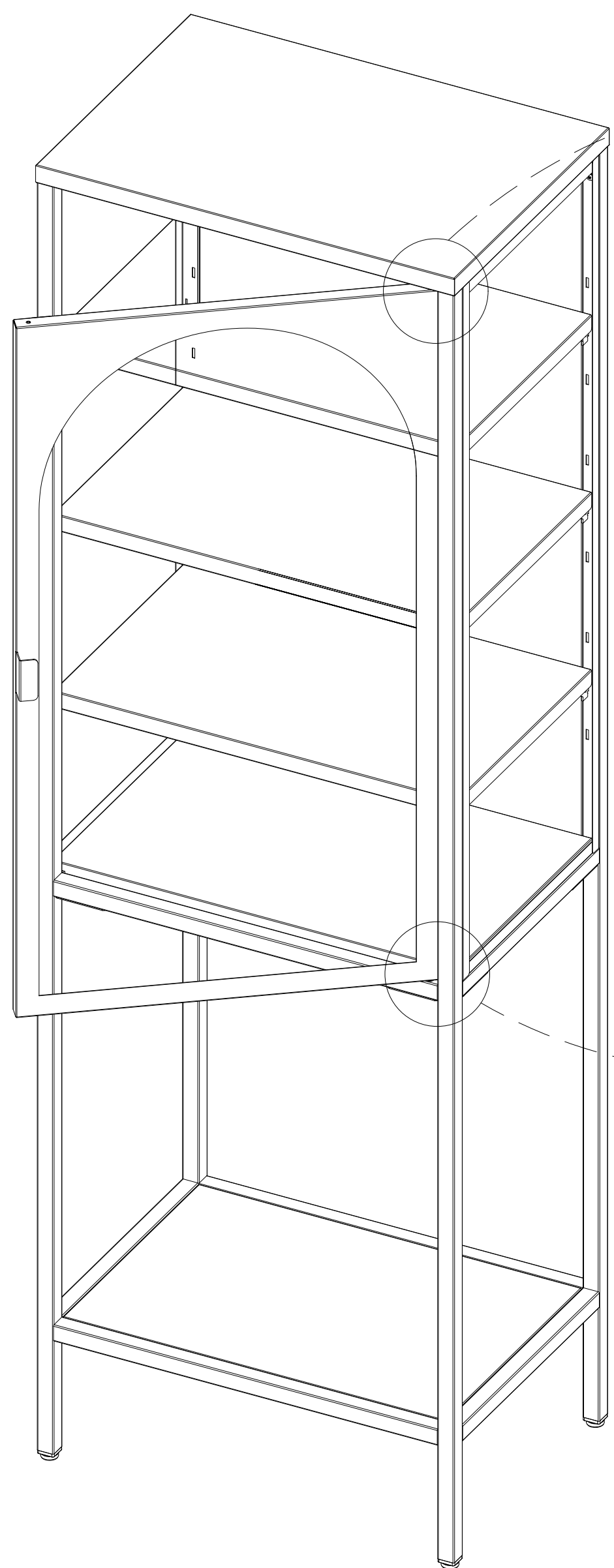
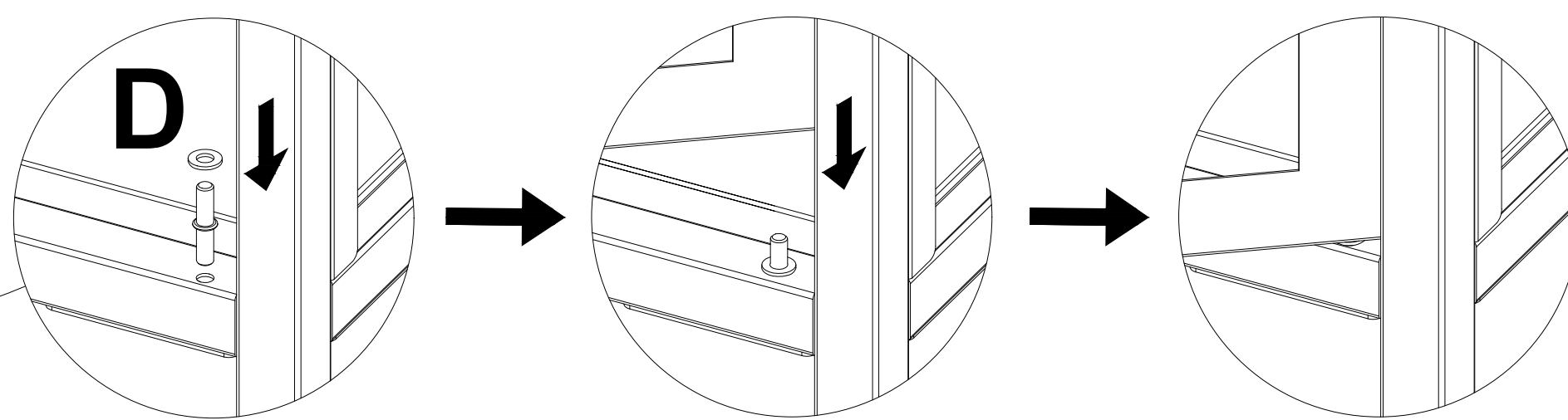
10

STEP 2



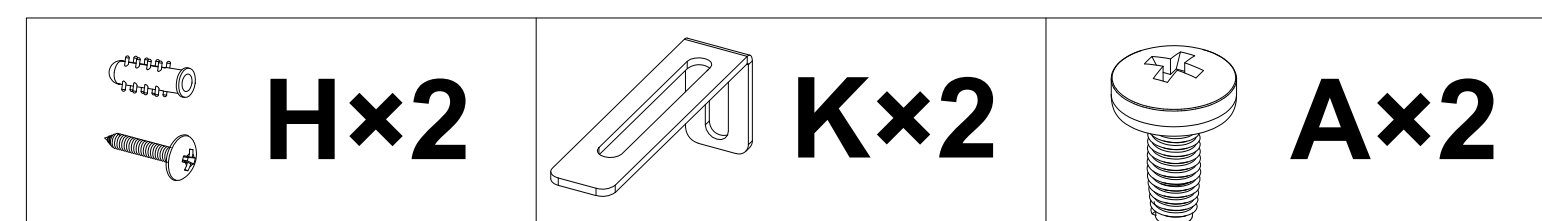
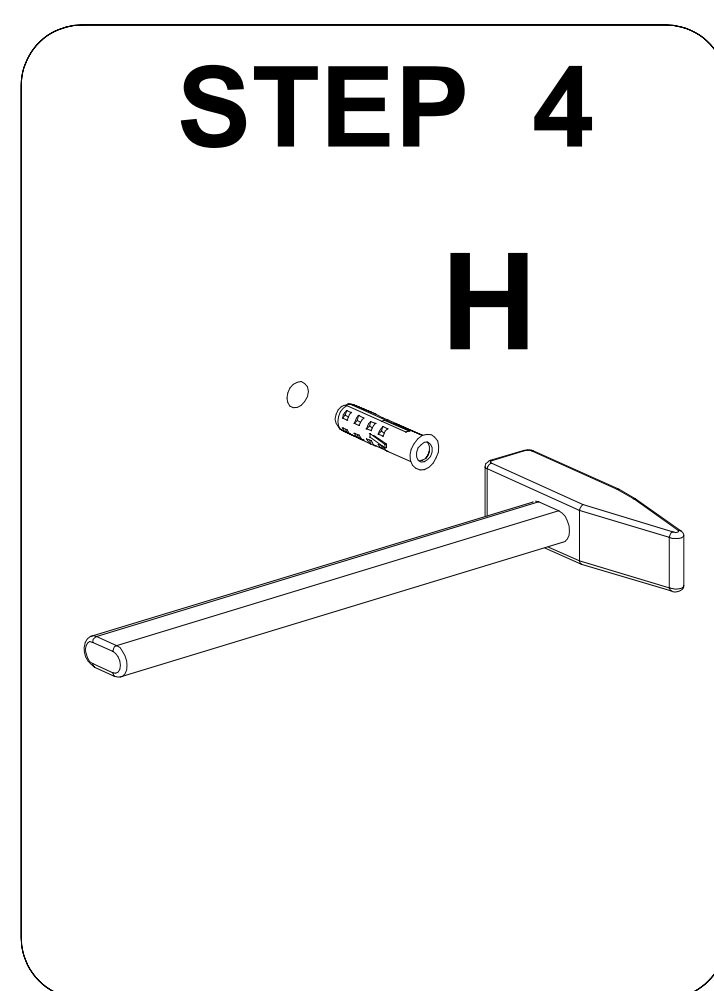
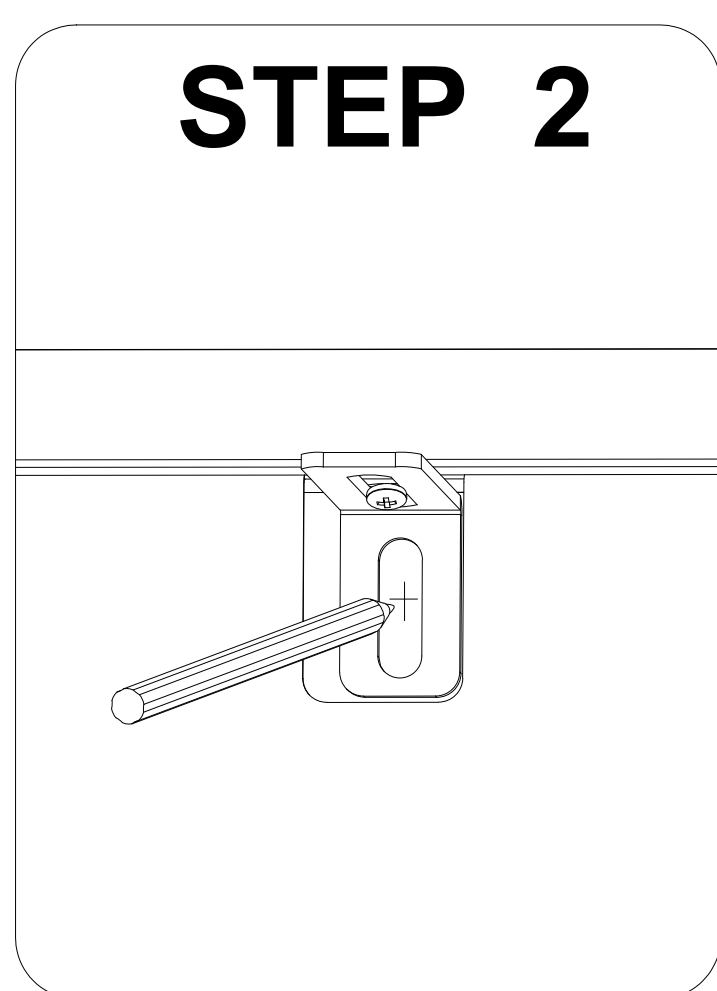
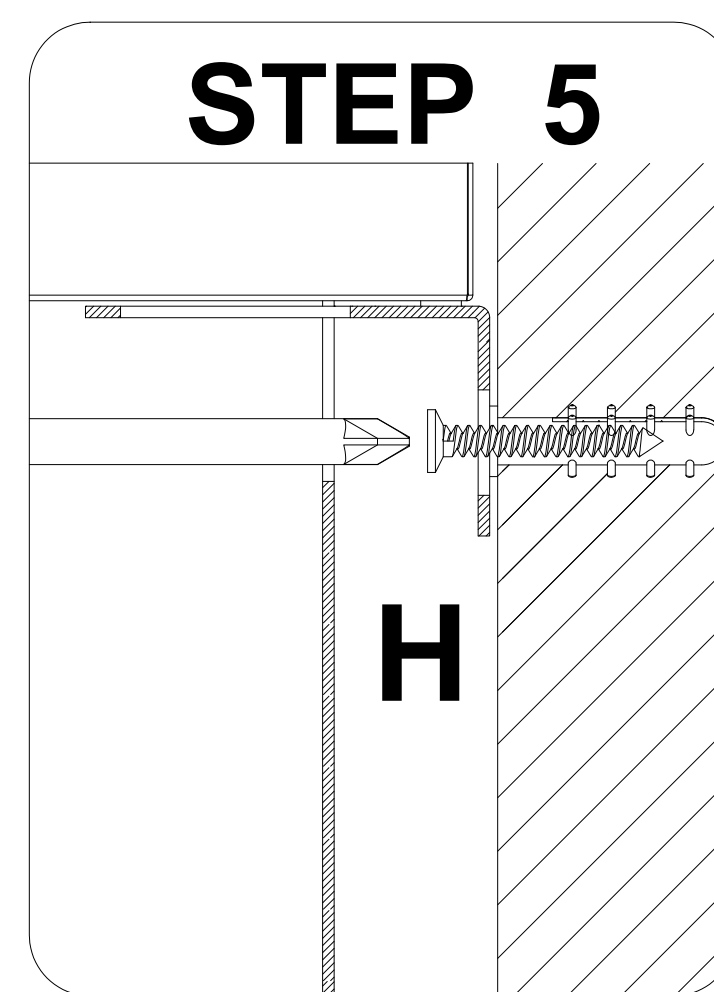
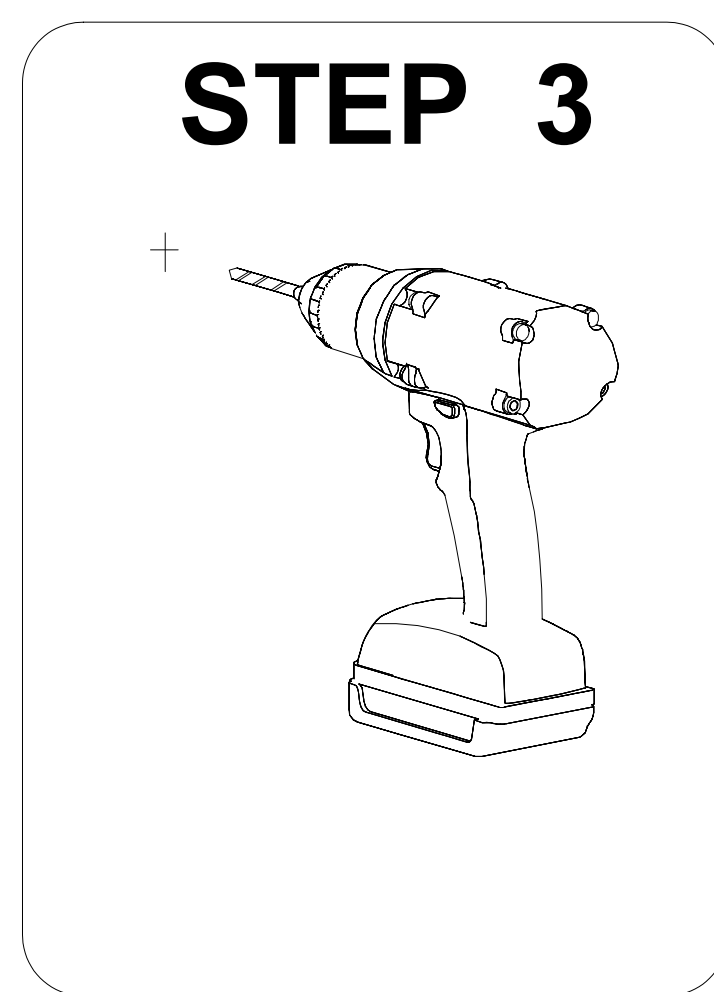
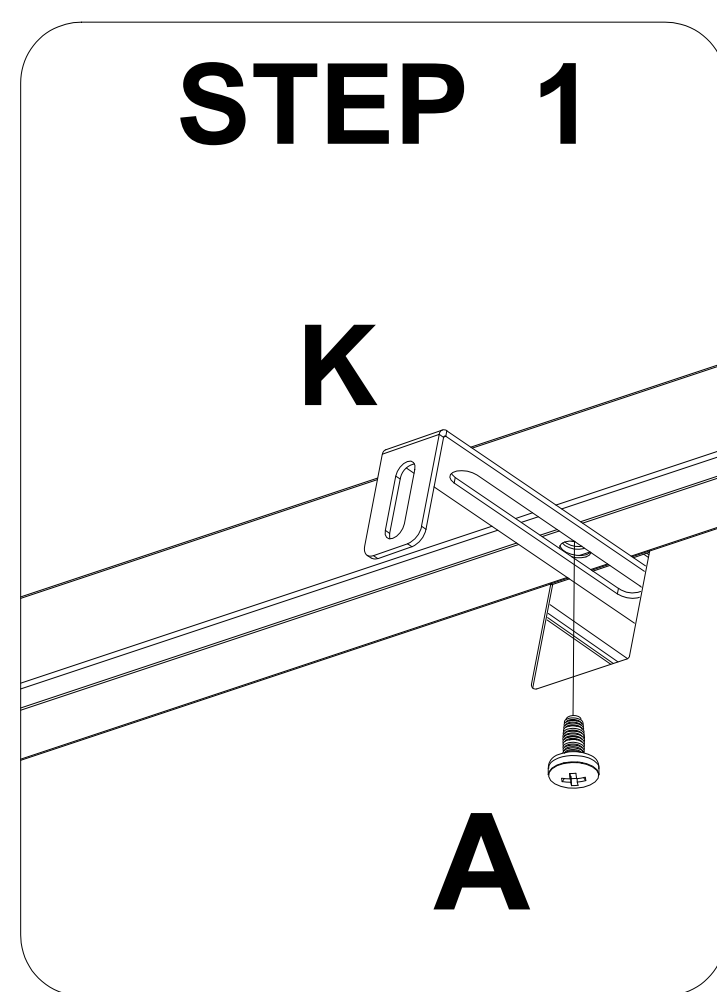
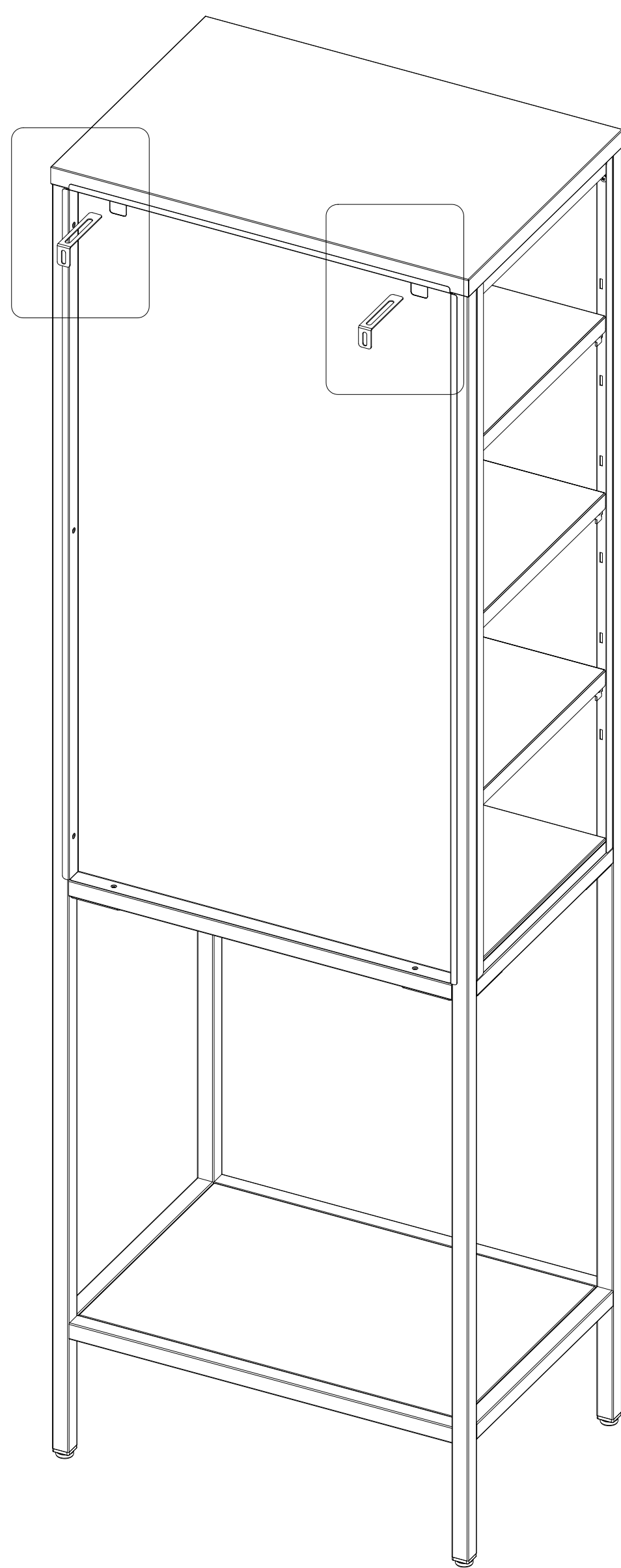
As shown in the diagram, install the two cabinet doors in the specified order.

STEP 1



11

If you need to fix the cabinet, please follow the installation steps. If not, please ignore it.



12

