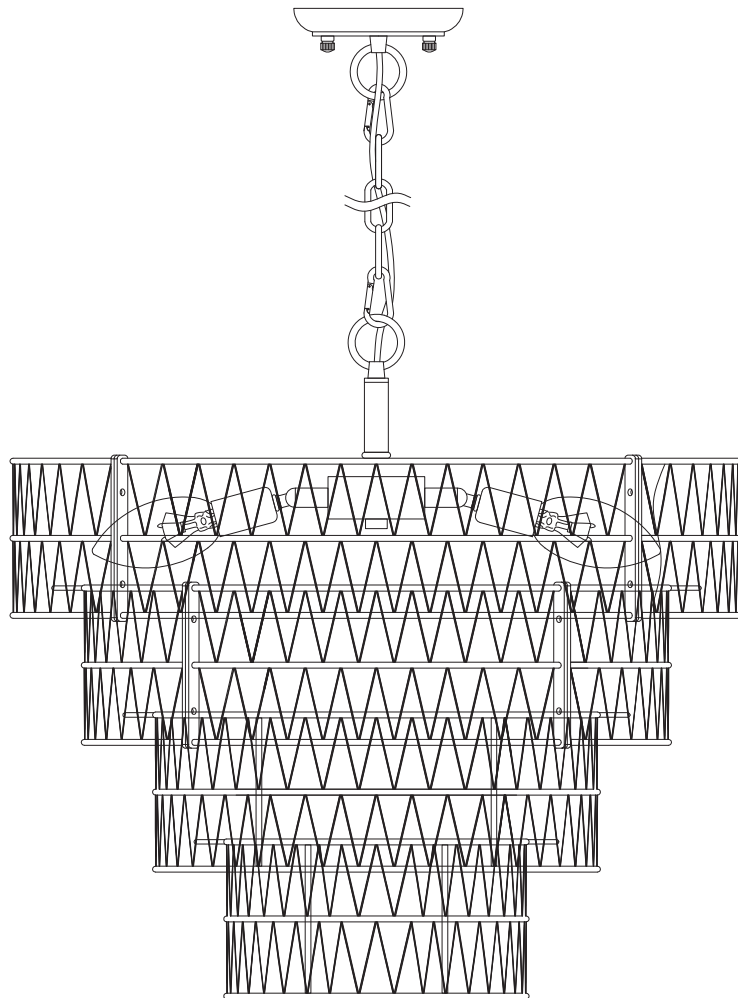


Instruction Manual

Farmhouse Rattan Chandelier



If you have any questions, please contact us directly for a faster and better solution.

A LETTER TO MY PRECIOUS CUSTOMER

Dear Customer,

Thanks for choosing our Chandelier! If you have any issue when you receive it, please contact us directly . We will offer a proper solution ASAP once receive your message. Basically, we provide online customer service during PDT 6:00 pm~9:00 pm (EDT 9:00 pm~00:00 am) from Monday to Friday. So, do not hesitate to contact us during this time frame, we will reply to you in 30 mins!

- Customer Support Team

HOW TO CONTACT US ON AMAZON

- 1 . Go to Your Orders.
- 2 . Find your order in the list.
- 3 . Select Problem with order.
- 4 . Choose your topic from list displayed.
- 5 . Select Contact seller.

QUESTION & ANSWER

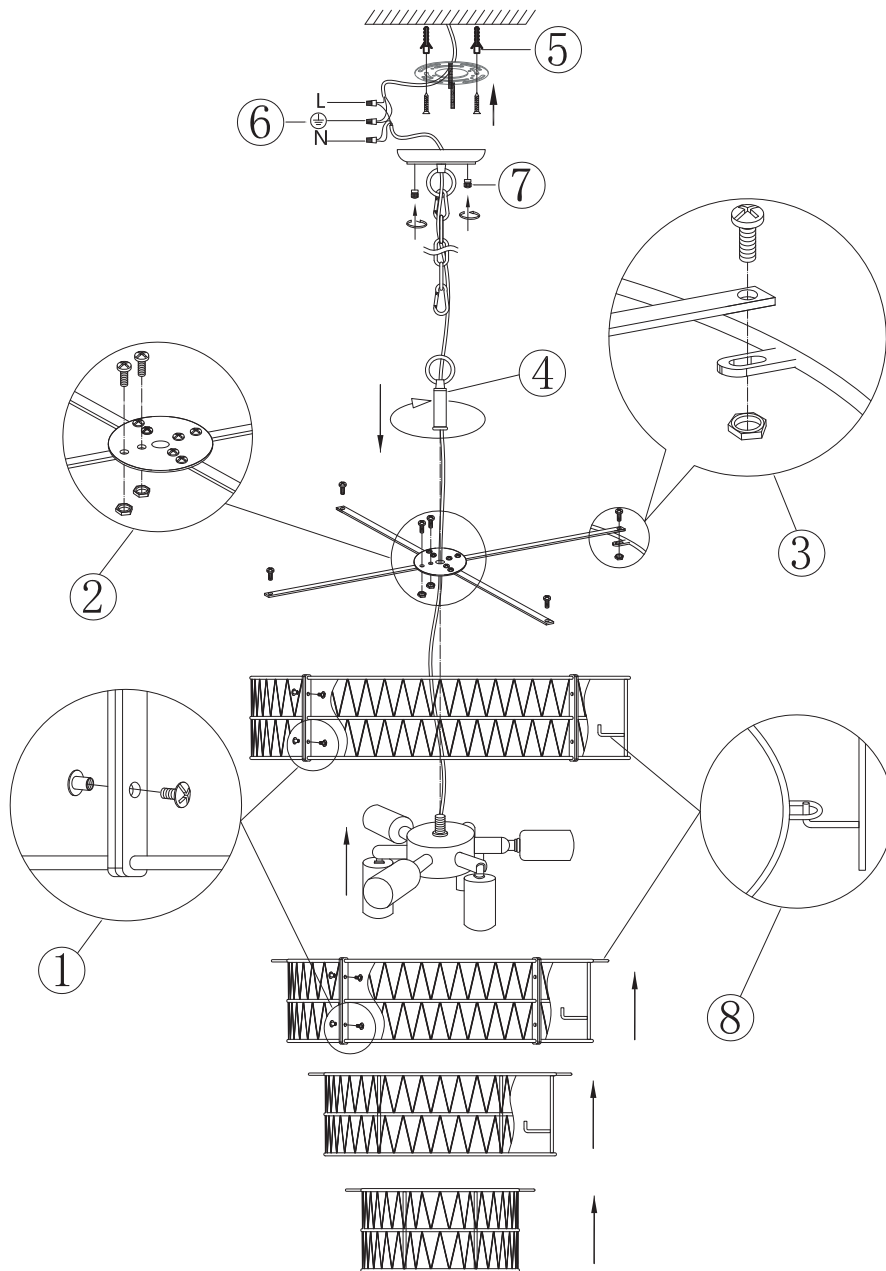
Q: After powering on, my lamp doesn't work . What should I do?

A: First, make sure your bulbs are working well. If your bulbs work, you need to check if the wires are connected incorrectly. If you can't find the reason, please contact us and we will try our best to solve it for you.

INFORMATION AND PACKAGE

Specification			
Voltage	110 - 120V	Bulb Type	LED/Halogen/Incandescent
Bulb Socket	E12 Base	Certification	Bulb Socket(s) is UL Listed
Wattage	Max 40W	Warranty	2 Years

Installation Steps



large lampshade piece 4pcs	medium lampshade piece 4pcs	medium lampshade 1pcs	small lampshade 1pcs
boom 1pcs	Butt-lock screws 16pcs	lampholder 1pcs	wire cap 3pcs
disk 1pcs	iron bar 4pcs	black screws 12pcs	black nuts 12pcs
ceiling plate 1pcs chain 1pcs	bracket 1pcs screw cap 2pcs	bracket mounting accessories	

- Put the Butt-lock screws through the holes on both ends of the shade pieces, splice the large and medium shade pieces separately to form two round shades, and tighten them with a screwdriver.
- Secure the 4 iron bars to the disk with black screws and nuts to make a cross bracket.
- Secure the cross bracket to the large lampshade with black screws and nuts.
- Thread the wires from the lampholder through the hole of the disk and the boom in turn. Screw the boom into the lampholder to secure the cross bracket.
- Use the screws to mount the bracket on the junction box. (If you don't have a junction box, you can drill two holes in the wall and put in two expansion screws, and finally fix the bracket with self-tapping screws)
- Lock the latch on the hanging chain to the hanging ring on the top of the light pole, pass the wires through the hanging chain and the ceiling plate in turn. Connect the "L" wire to your "live" wire by terminal caps and the "N" wire to your "neutral" wire, the copper wire needs to be wrapped around the green screw or connect to your earth wire.
- Secure the ceiling plate to the ceiling with 2 screw caps.
- Hang the rings on the edges of the spliced medium shade onto the hooks of the large shade, and do the same with the other two shades.
- Install the E12 bulb into the lamp holder. Bulb not included.