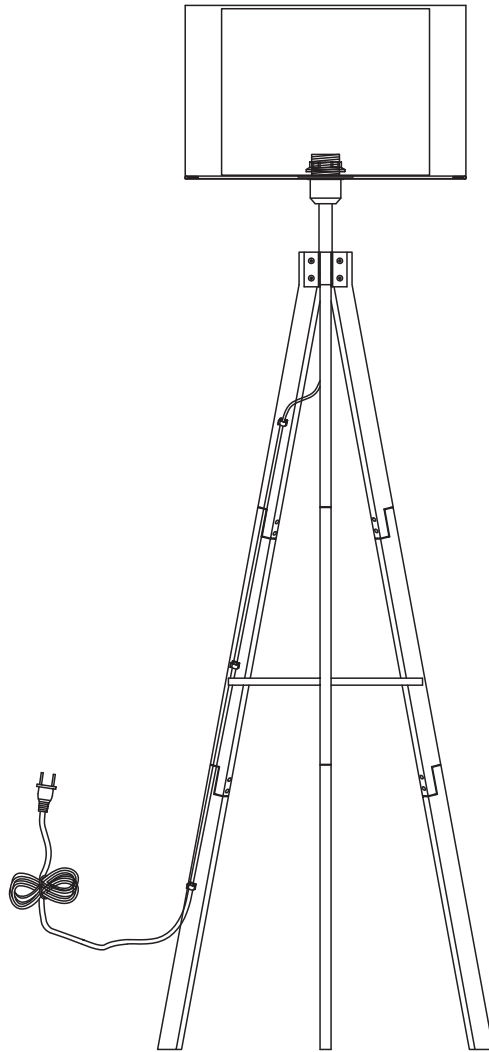


# Instruction Manual

## Wooden Tripod Floor Lamp



If you have any questions , please contact us directly for a faster and better solution .

## A LETTER TO MY PRECIOUS CUSTOMER

Dear Customer,  
Thanks for choosing this lamp! To save your time and effort, please try to light up the lamp before installation to ensure the sockets are working correctly. If you have any issue when you receive it, please contact us directly . We will offer a solution without you even having to send the broken light back. Thank you for your support!

**- Customer Support Team**

## HOW TO CONTACT US ON AMAZON

- 1 . Go to Your Orders.
- 2 . Find your order in the list.
- 3 . Select Problem with order.
- 4 . Choose your topic from list displayed.
- 5 . Select Contact seller.

## QUESTION & ANSWER

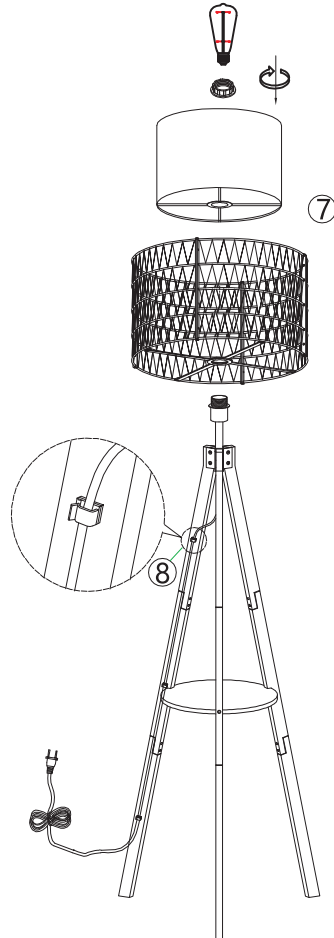
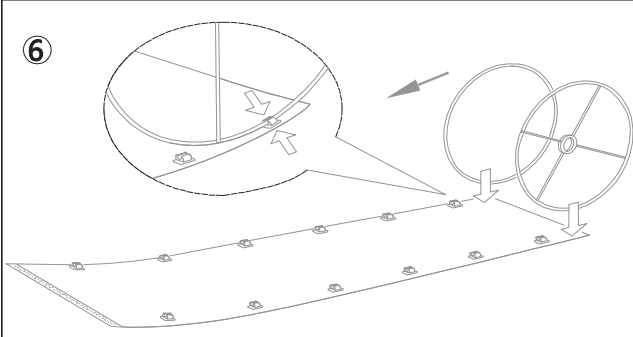
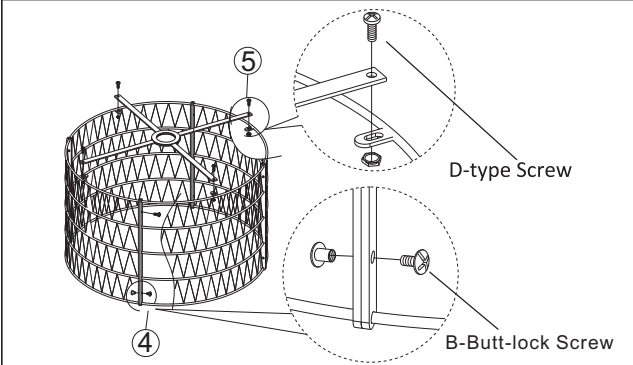
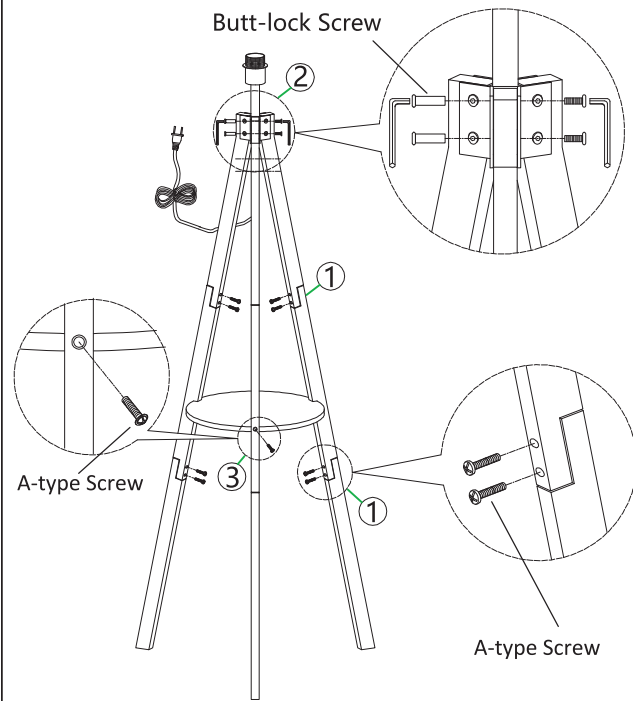
Q: After powering on, my lamp doesn't work . What should I do?

A: First, make sure your bulbs are working well. If your bulbs work, you need to check if the wires are connected incorrectly. If you can't find the reason, please contact us and we will try our best to solve it for you.

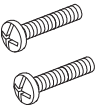
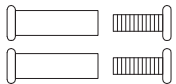
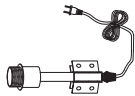
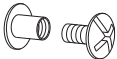

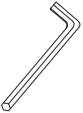
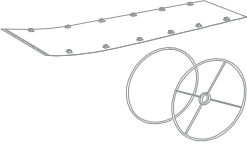

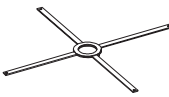
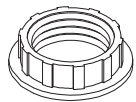

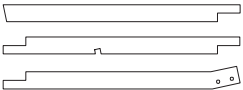

## INFORMATION AND PACKAGE

Specification	
Voltage	110 - 120V
Bulb Socket	E26 Base
Wattage	Max 60W
Bulb Type	LED/Halogen/Incandescent
Certification	Bulb Socket(s) is UL Listed
Warranty	2 Years

## Installation Diagram



## Accessory List

				
A-type Screw 15pcs	Butt-lock Screw 6 Pairs	Lampholder 1pcs	B-Butt-lock Screw 8Pairs	D-type Screw 4pcs Nuts 4pcs
				
Hexagon wrench 2pcs	Fabric Shade 1pcs Iron Ring 2pcs	Rattan Shade 4pcs	Cross Iron Frame 1pcs	Lock Cap 1pcs
				
Wire Clamp 3pcs	Wooden Bracket 9pcs	Round Wooden Board 1pcs		

## Installation Steps

1. Connect a set of 3 wooden brackets with A-type screws. Install all 3 sets.
2. Put the butt-lock screws through the round holes on the lampholder hardware brackets and the round holes on the wooden brackets, and secure the wooden brackets and lampholder with a hex wrench.
3. Align the screw holes on the side of the round wooden board with the notches on the wooden brackets, and attach the round board to the wooden brackets with A-type screws.
4. Use B-Butt- lock screws to attach the 4 pieces of rattan shade to form around shade.
5. Attach the cross iron frame to the rattan round shade with D-type screws and nuts.
6. Put the fabric and two iron circles around to form a fabric lampshade.
7. Put the rattan shade and the fabric shade into the lampholder in turn, and secure the two shades to the lamp with the lock cap.
8. Peel off the wire clamp film, clamp the 3 wire clamps at a distance apart on the wooden brackets, and gently snap the wires into the clamps to clip them.