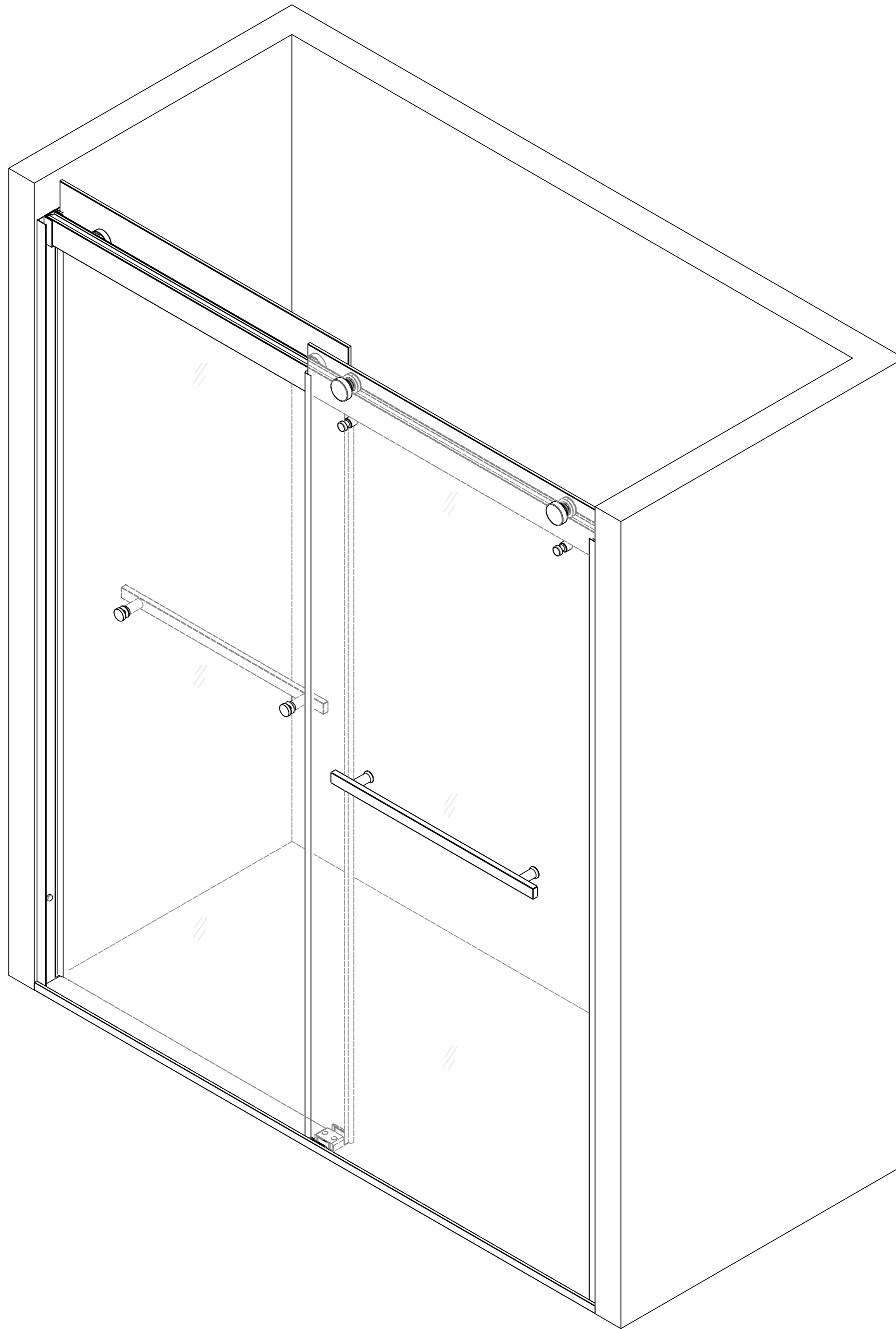


Shower Door Installation Instructions

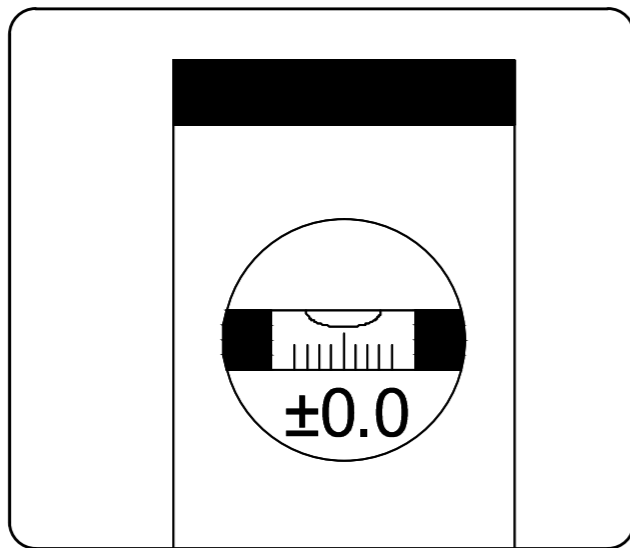


**Please Do Not Return the Product to the Store.
Contact us with any questions.**

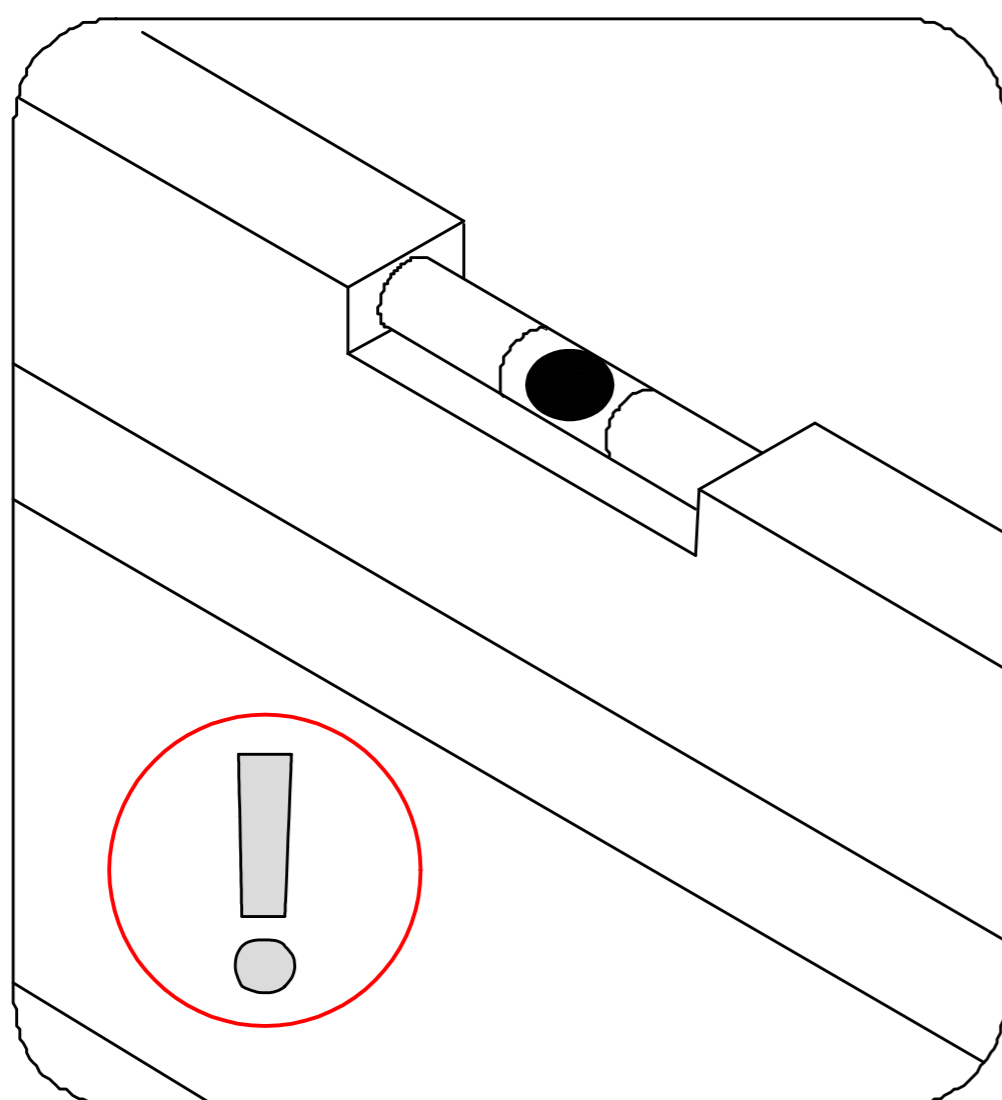
Model Specific Preparation



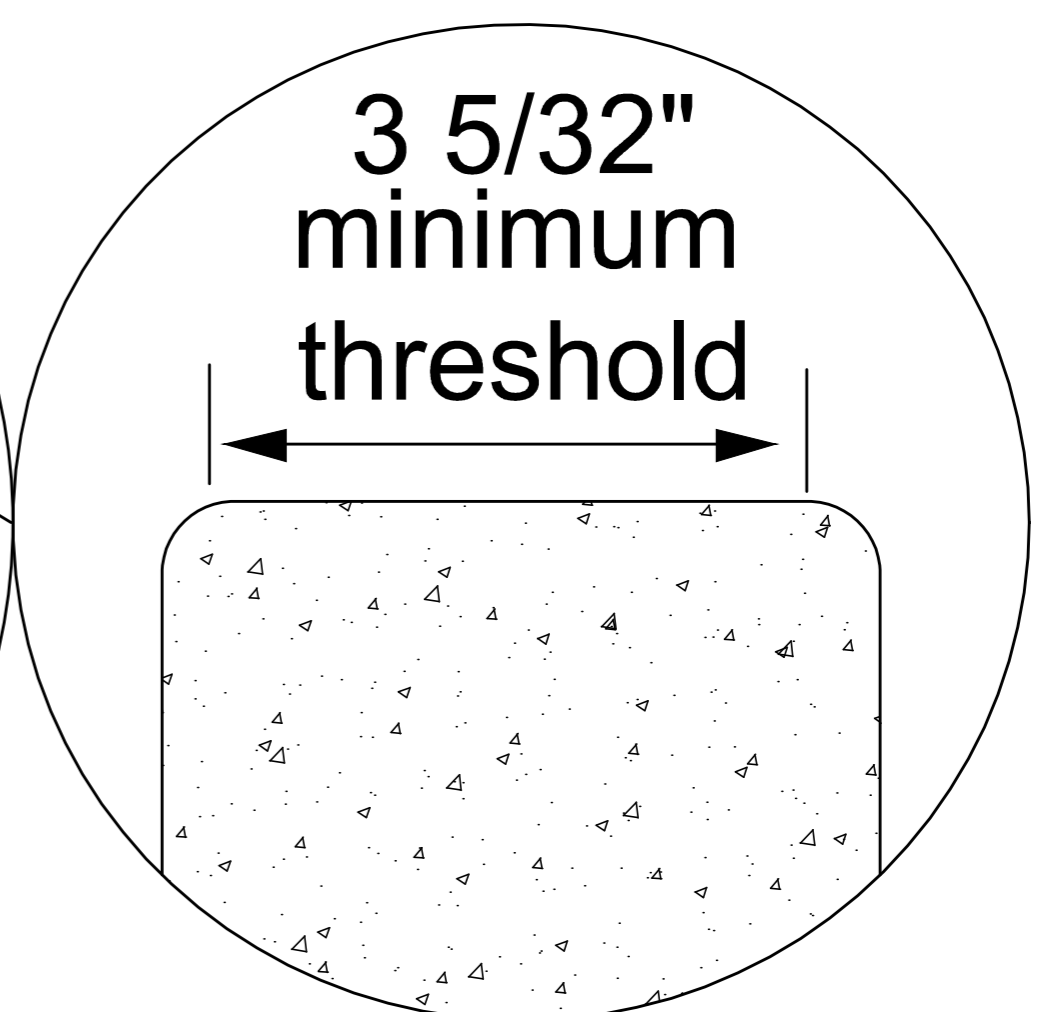
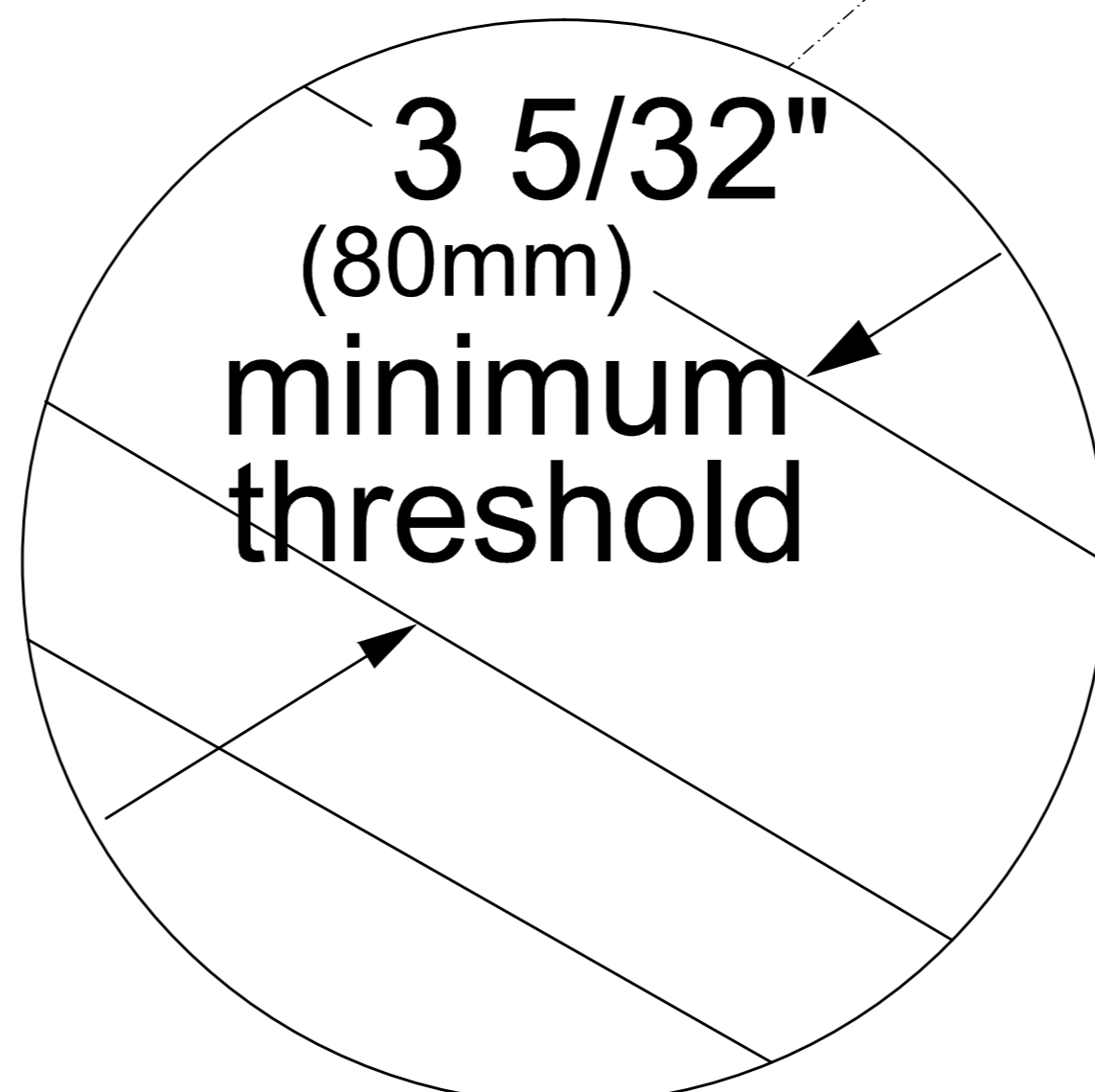
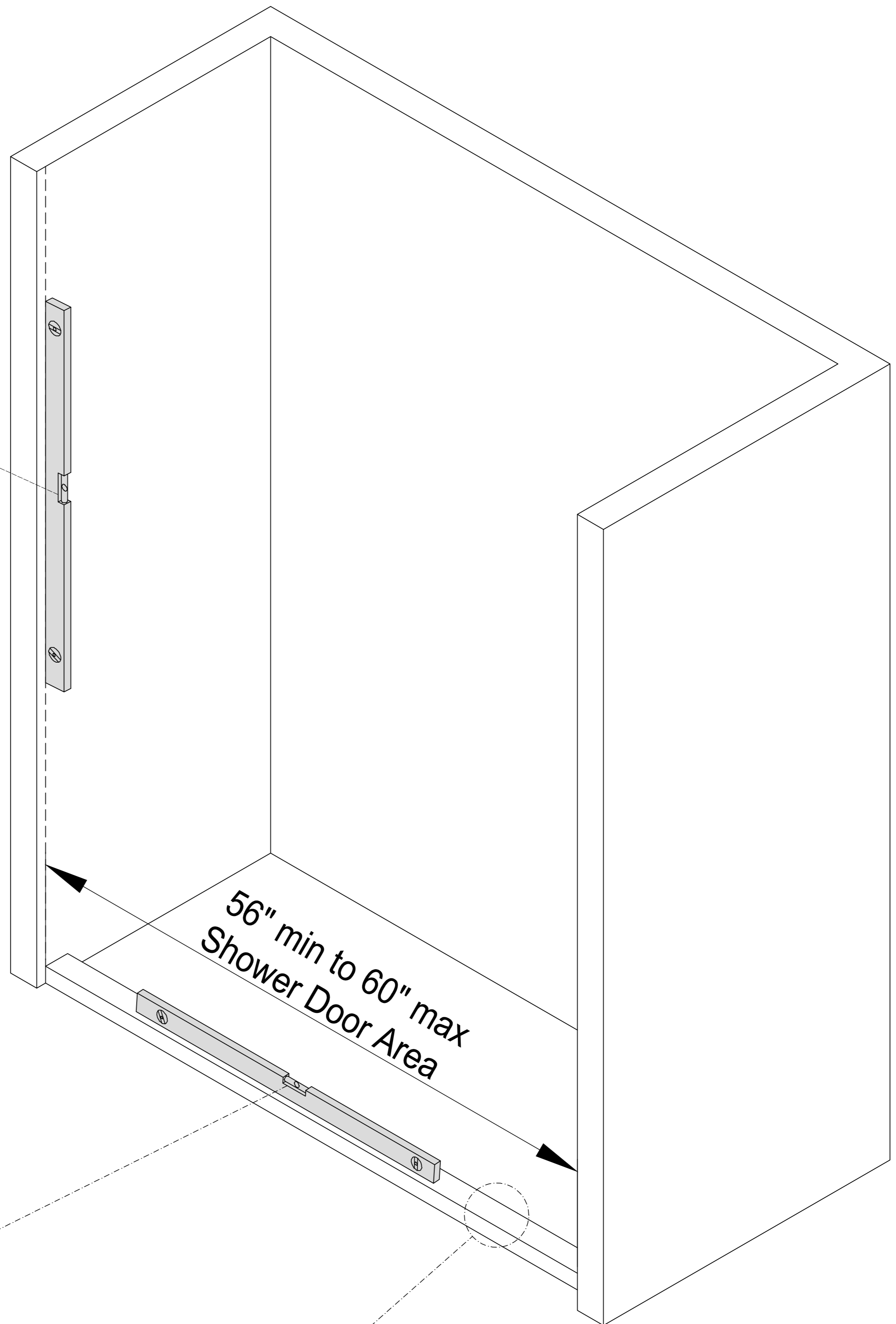
REQUIRED:



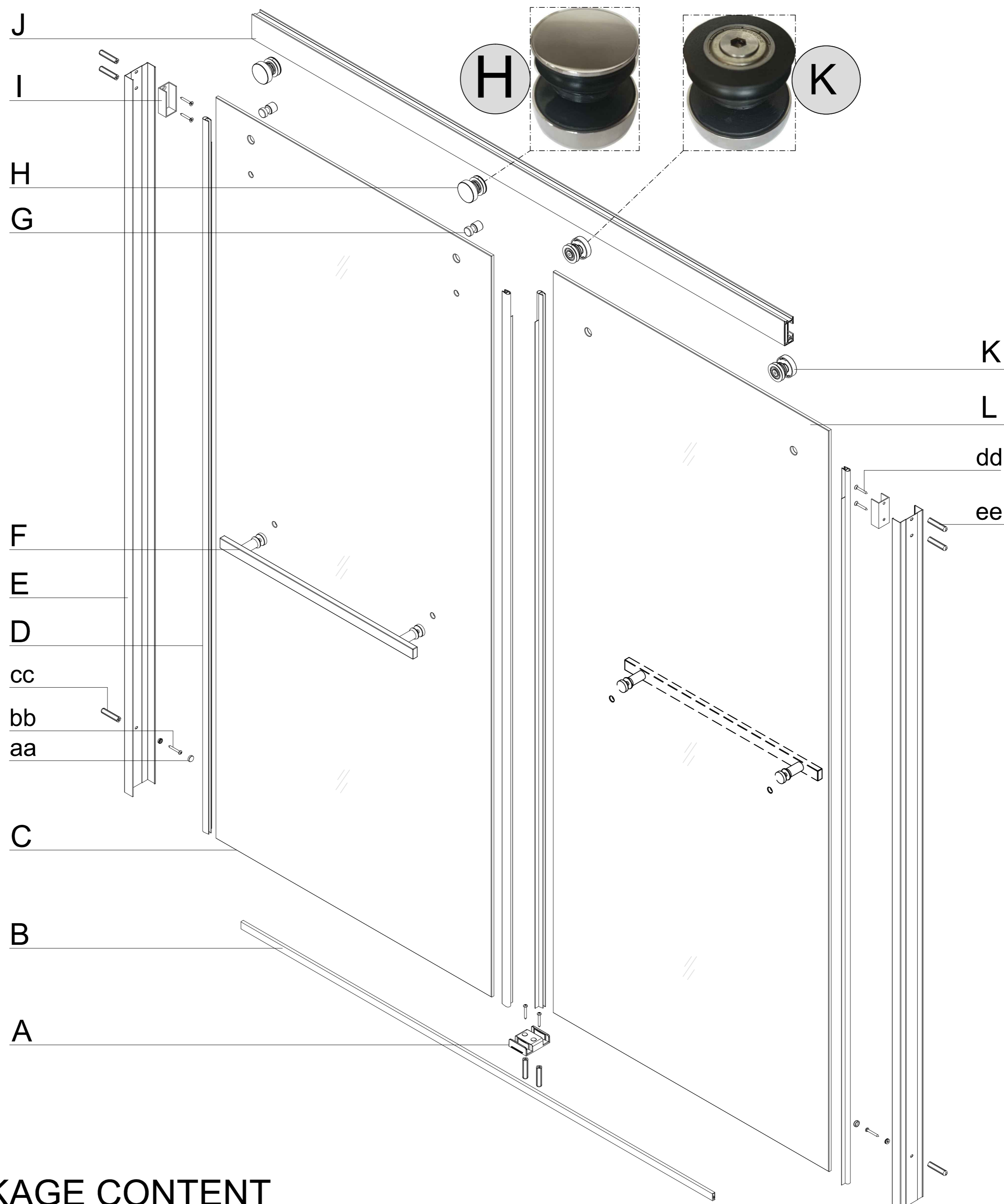
1/4" (6mm)
Out-of-Plumb
Adjustment within
the Wall Profile;
Verify threshold and
walls with a level.



Threshold must be level



PACKAGE CONTENT



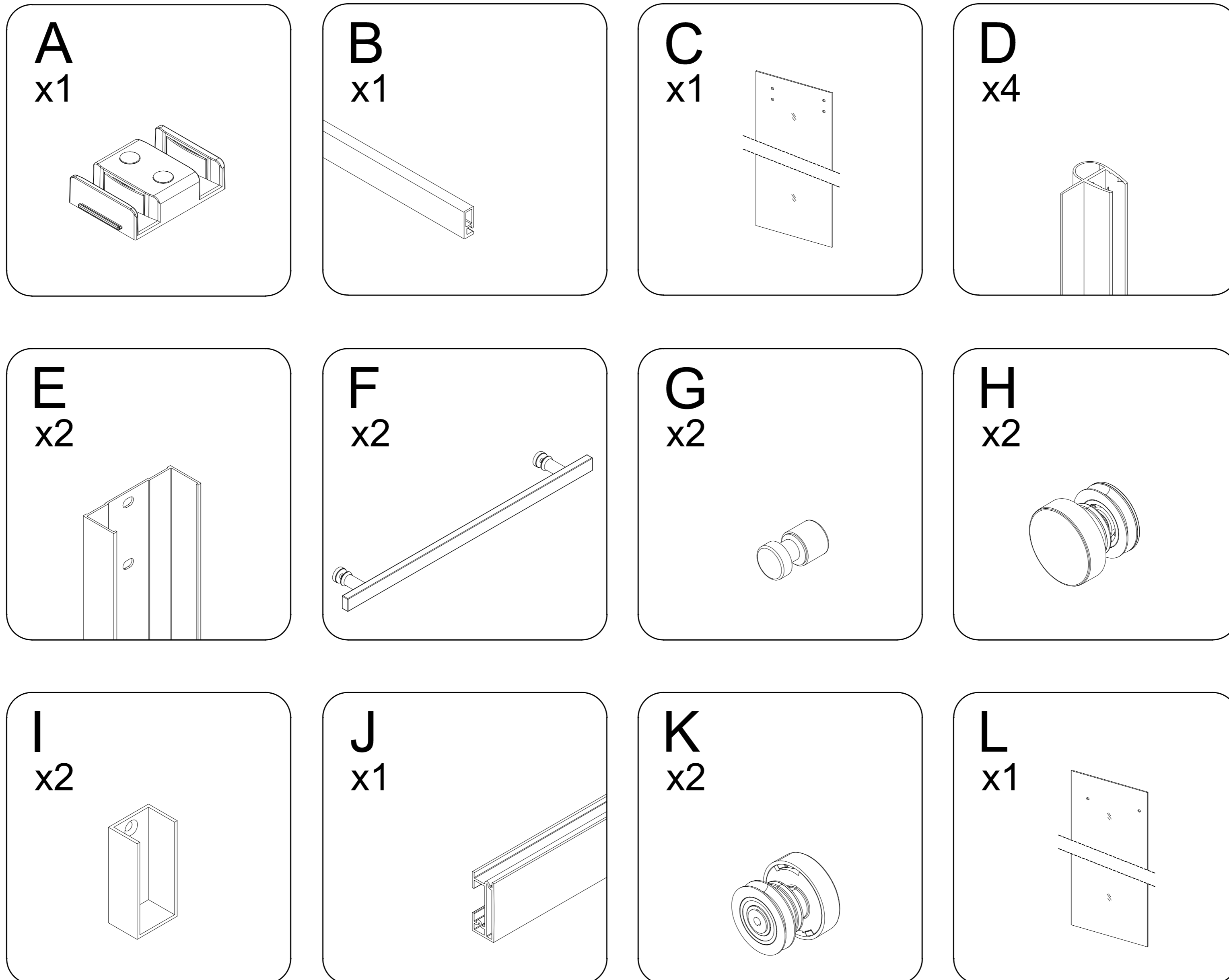
PACKAGE CONTENT

PART#	DESCRIPTION	QTY	PART#	DESCRIPTION	QTY
A	Bottom guide	1	G	Anti-Jump Assembly	2
B	Bottom Rail	1	H	Outside Roller	2
C	Outside Door panel	1	I	Wall Bracket Assembly	2
D	F shape seal	4	J	Upper Guide Rail	1
E	Wall Jamb	2	K	Inside Roller	2
F	Handle	2	L	Inside Door panel	1

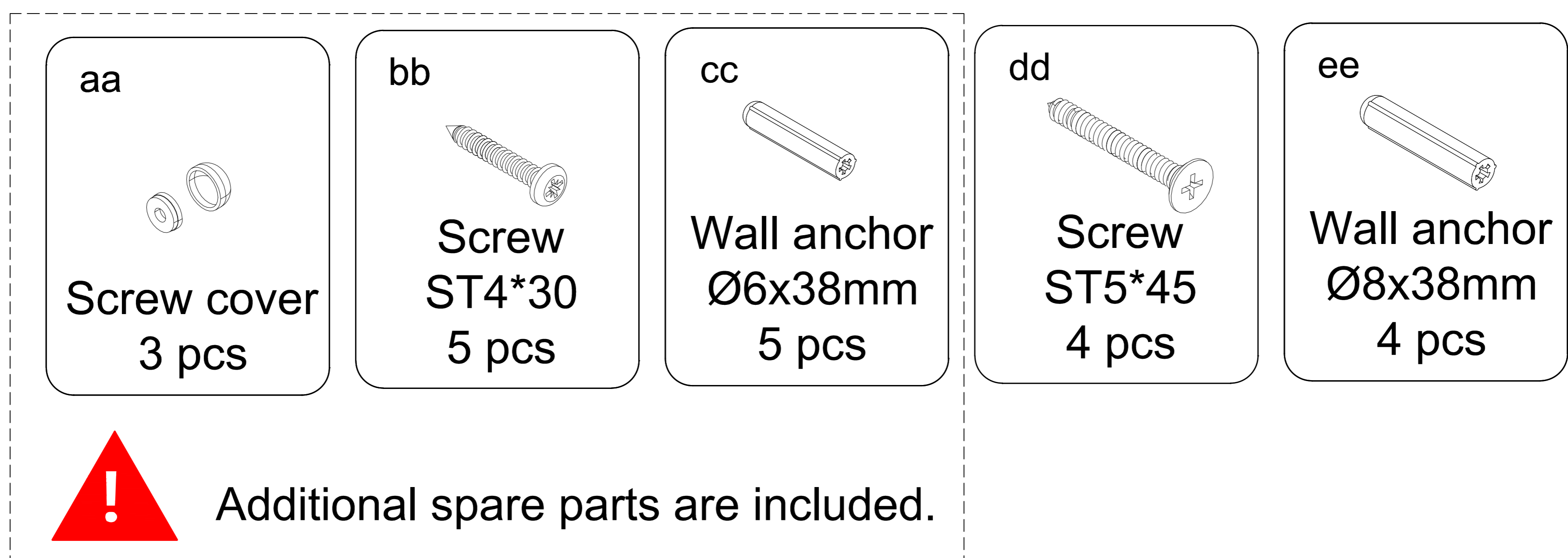
NOTE

Inspect all parts for missing prior to installation!
Contact us for any part missing.

PACKAGE CONTENT



HARDWARE CONTENT

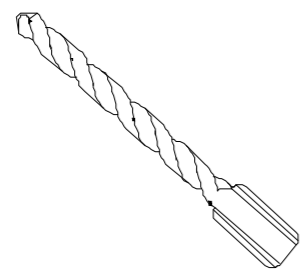


NOTE

Inspect all parts for missing prior to installation!
Contact us for any part missing.

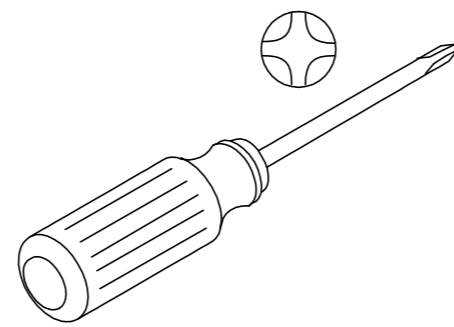
TOOLS REQUIRED

Drill Bits

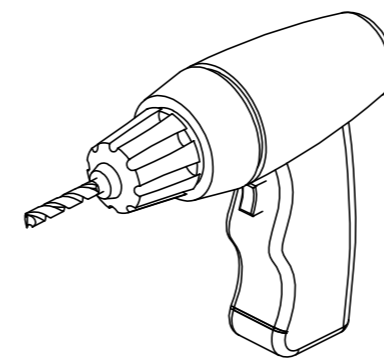


Ø1/4" & Ø5/16" (6&8mm) dia.
HSS

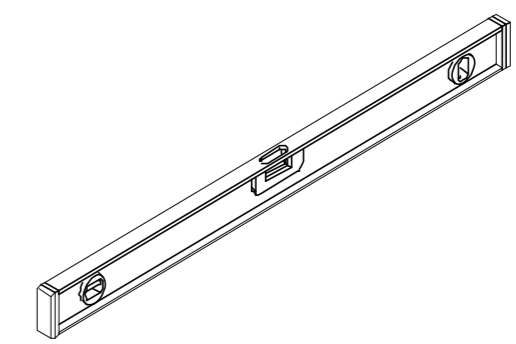
Screw Driver



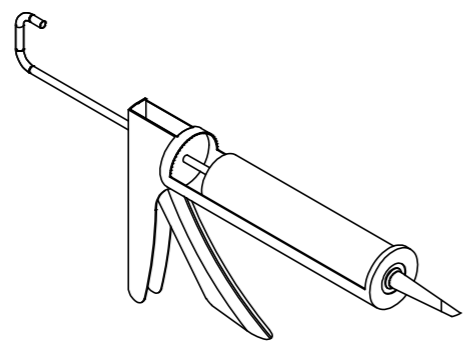
Drill



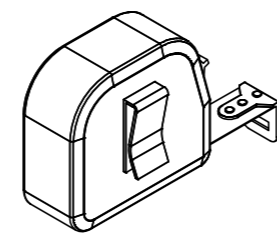
Level



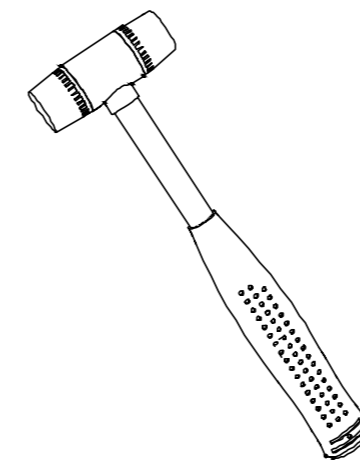
Silicone



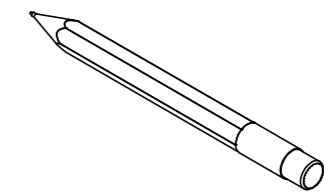
Measuring Tape



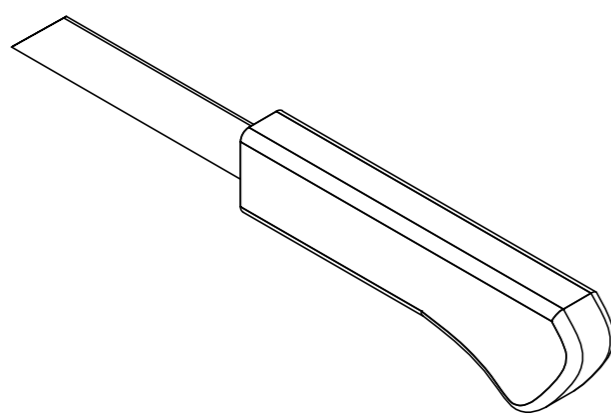
Soft Head Hammer



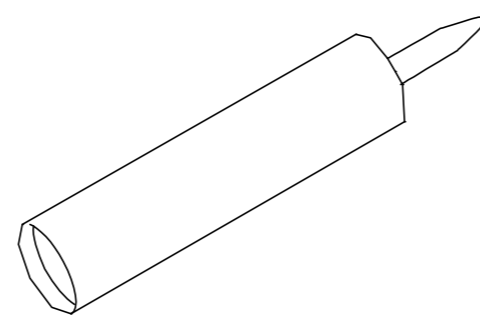
Pencil



Knife



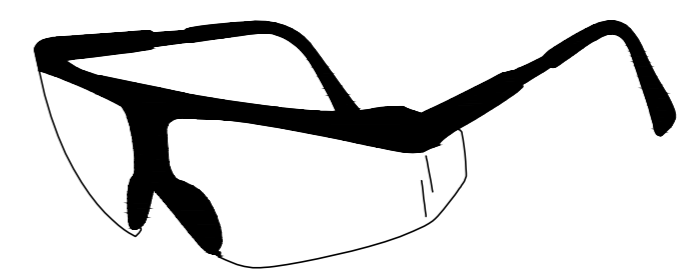
Sealant



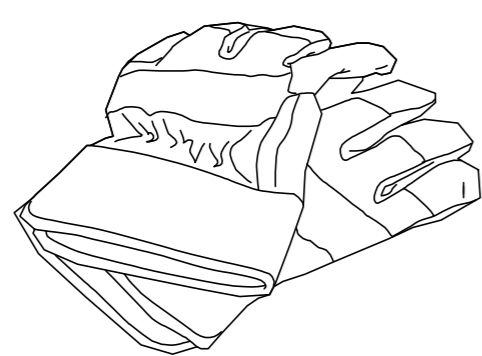
MASONRY DRILL BIT FOR TILE
Ø6mm



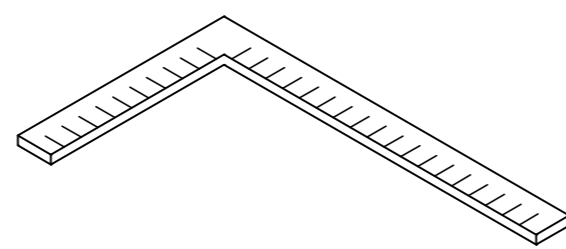
Safety Glasses



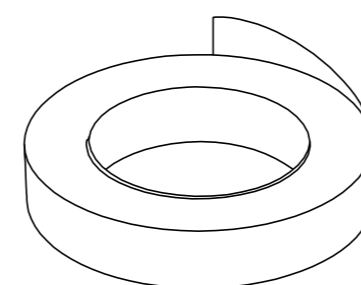
Glove



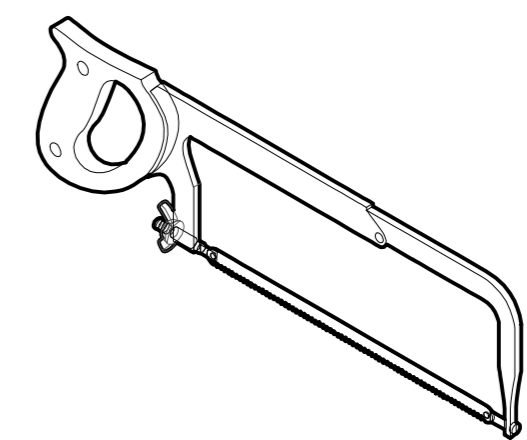
Carpenter's Squarer



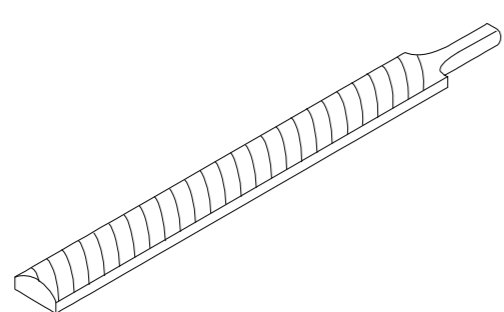
Masking or painter's tape



Hack Saw



Metal File



SAFETY INFORMATION

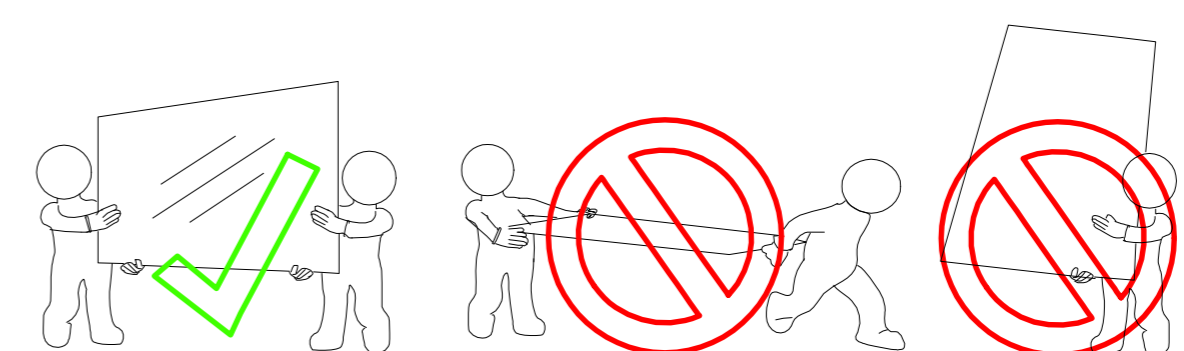
CAUTION

Please carefully read the following important safety information before handling or installing this shower. There is a risk of serious injury while handling this product.

To minimize these risks, please note:

- Always wear safety glasses and gloves while handling.
- Always follow the installation instructions.
- Inspect glass for damage before installation.
- Extreme caution should be taken while handling the glass during installation as the tempered glass may shatter if in contact with a hard surface.
- Do not cut or modify the tempered glass as it will shatter if cut.
- Carefully remove product from packaging and keep packaging until installation is complete.
- Inspect all parts for damage or missing; if there is damage or part missing to the unit prior to installation, please contact customer service at the number provided in this guide.
- Cover the drain with tape to prevent the loss of small parts.
- The shower base and finished walls should be installed before beginning the shower door installation.
- During the installation, protect the shower floor with a drop cloth to avoid damage.
- This product should be installed by two people who are familiar with construction requirements. Professional installation is recommended!
- Keep this installation manual for future reference.

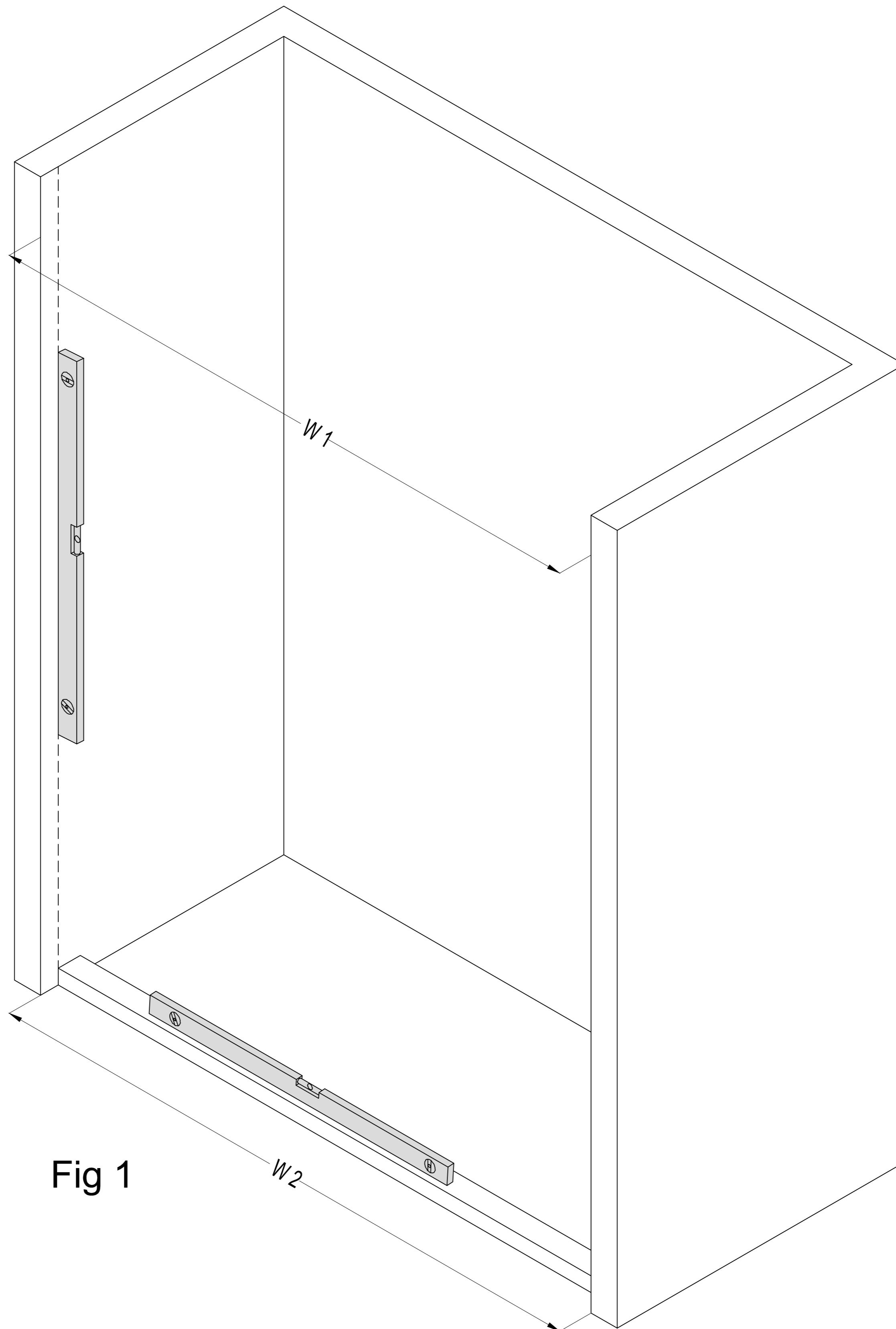
NOTE: Two people should perform this installation.



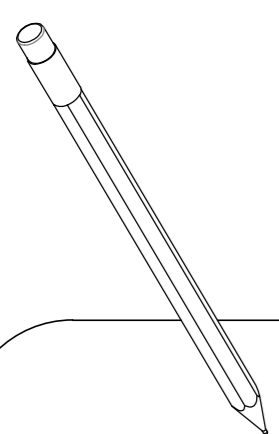
1 Measure the finished opening width.

NOTE

- 1. Measure the finished opening width at the bottom and at the model height.
- Use these dimensions as "W1" (top) and "W2"(bottom) in step #2.
- 2. Also check the threshold for level and the walls for plumb.(Fig 1)



This model will only accommodate up to 1/4"(6mm) for out-of-plumb condition.



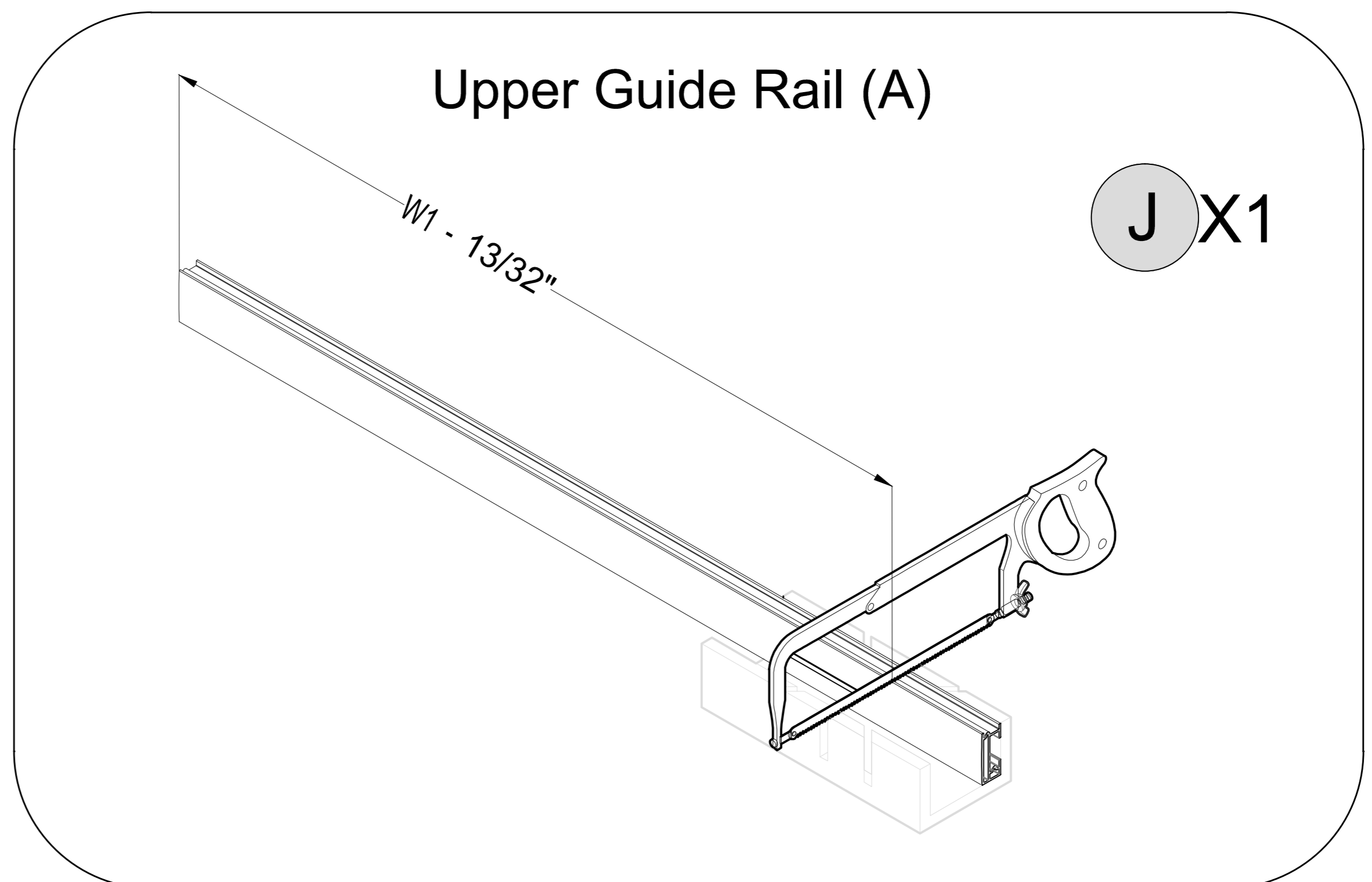
_____ Finished opening top (W1)

_____ Finished opening bottom (W2)

2

Cut the **Upper Guide Rail (J)** and the **Bottom Rail (B)** to fit your finished opening using either a miter saw or a hacksaw

Cut the Upper Guide Rail (J) to: "W1" (top) dimension - 13/32"



Cut the Bottom Rail (B) to: "W2"(bottom) dimension - 1/16"
Use a metal file to remove any burrs from the cut ends.

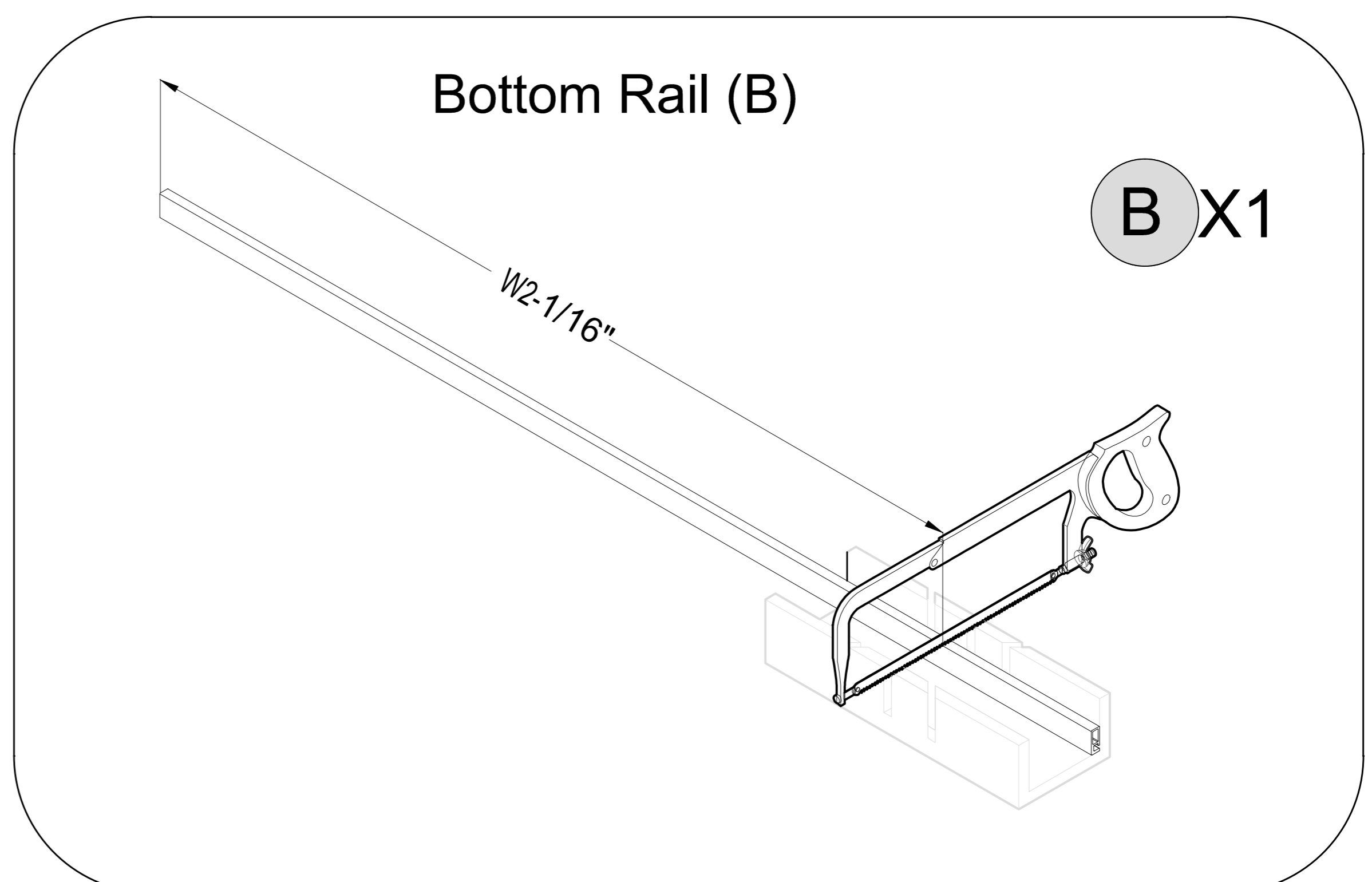


Fig 2

NOTE

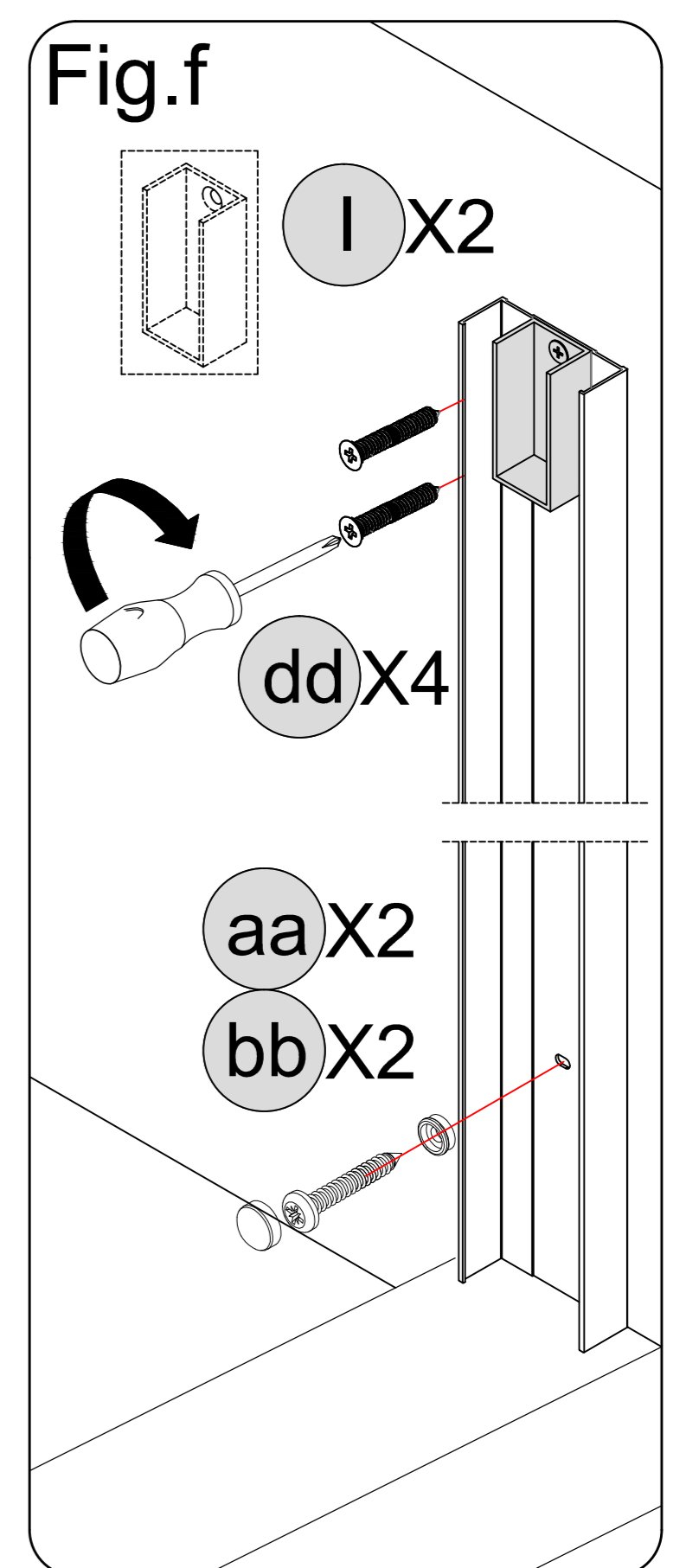
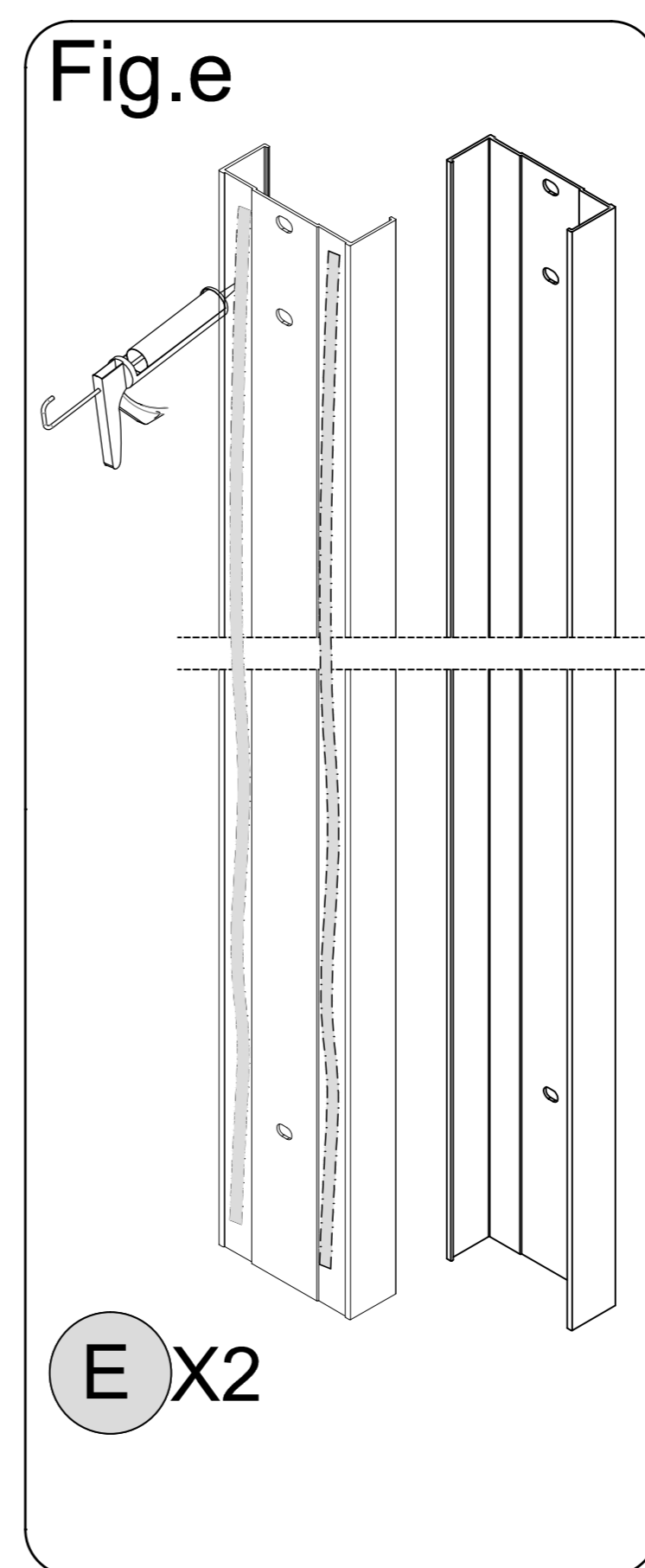
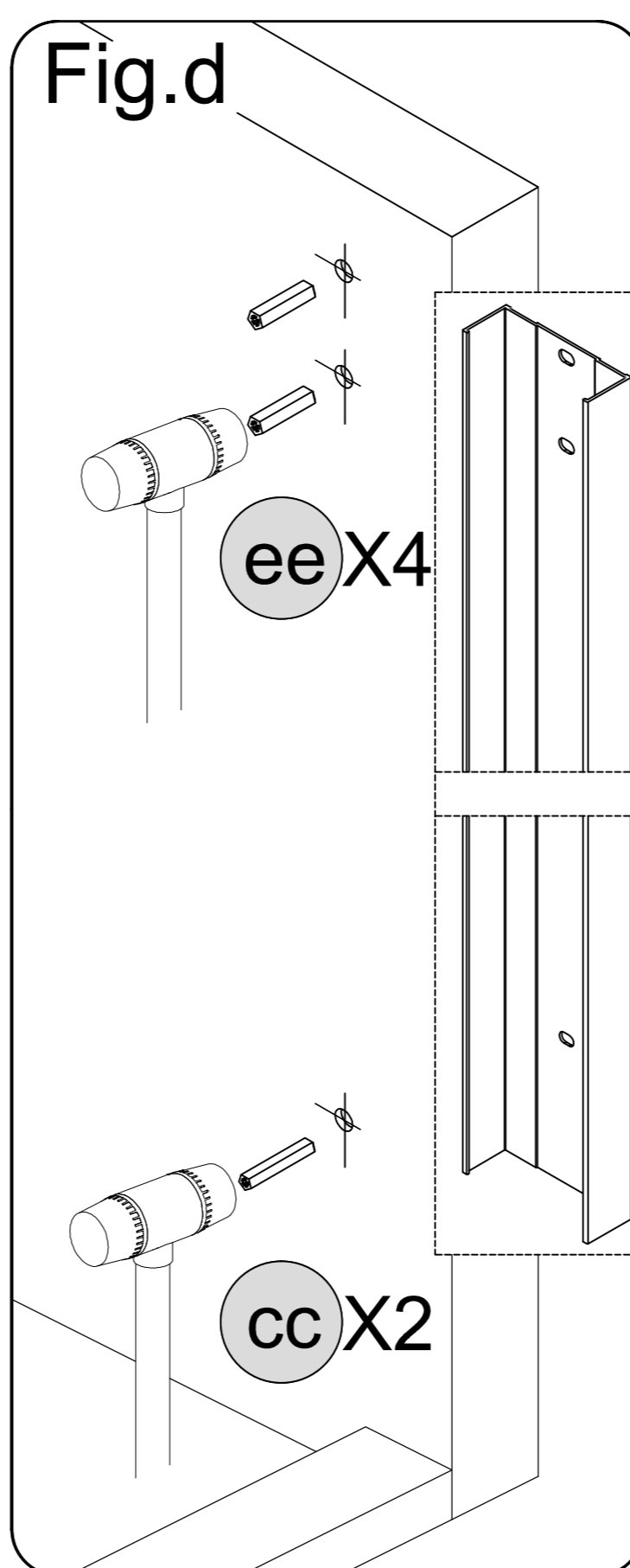
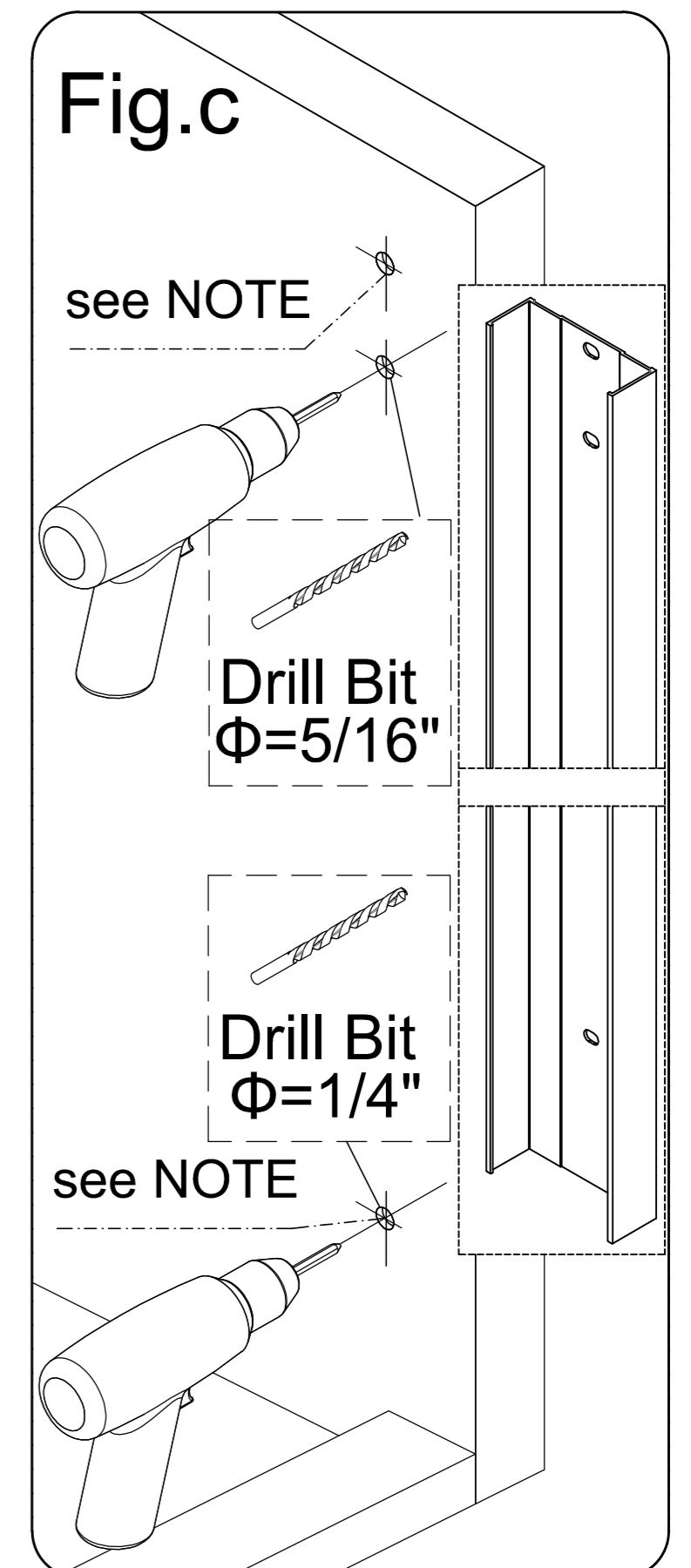
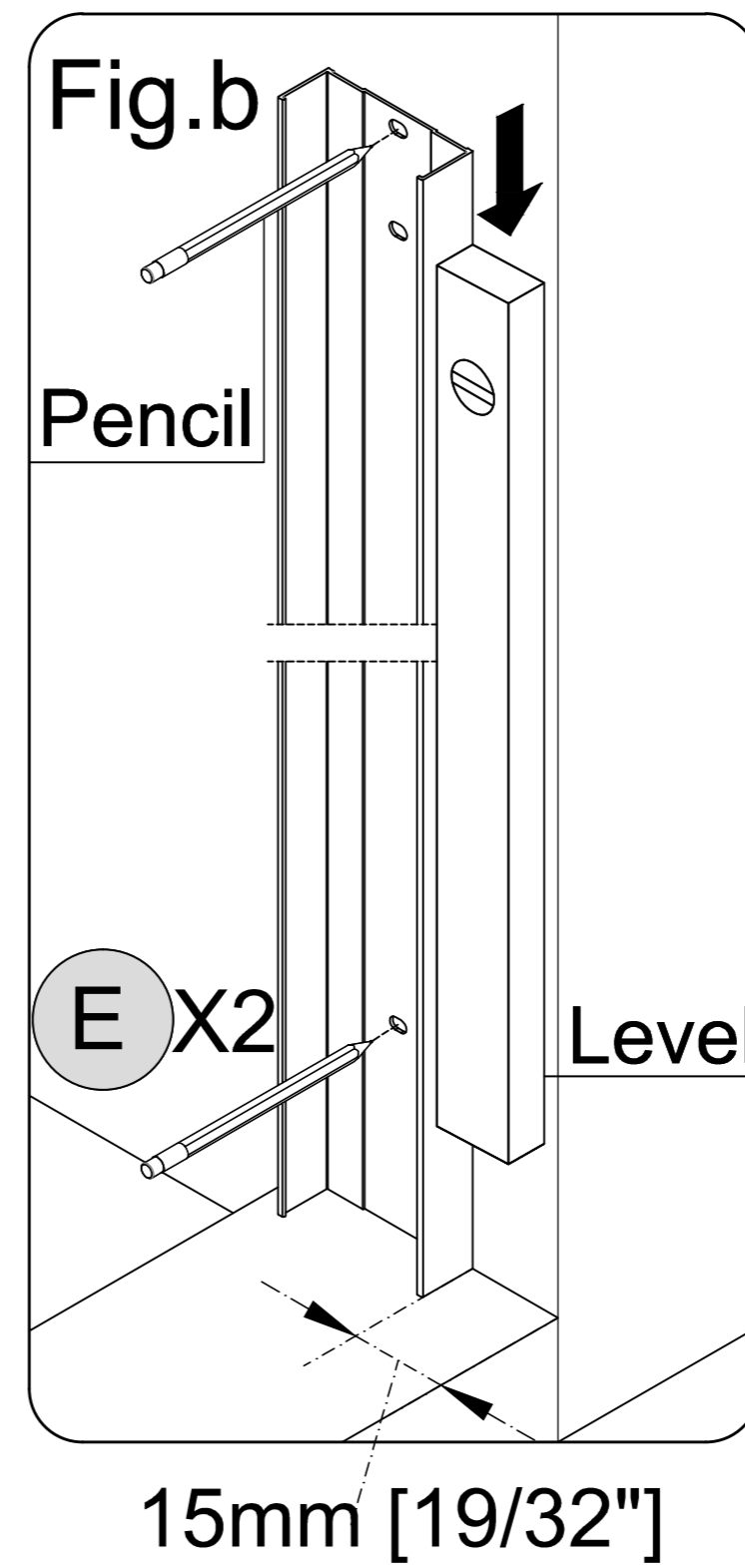
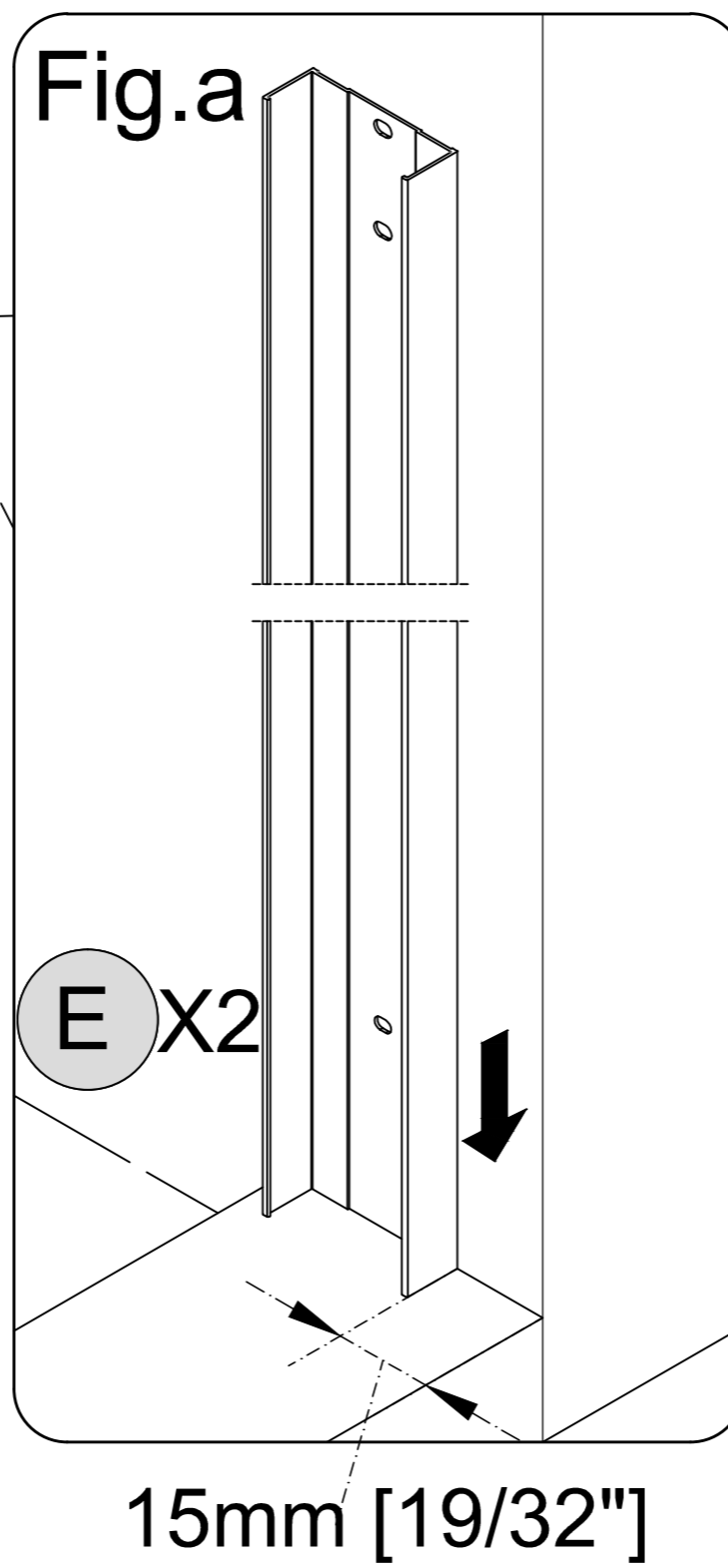
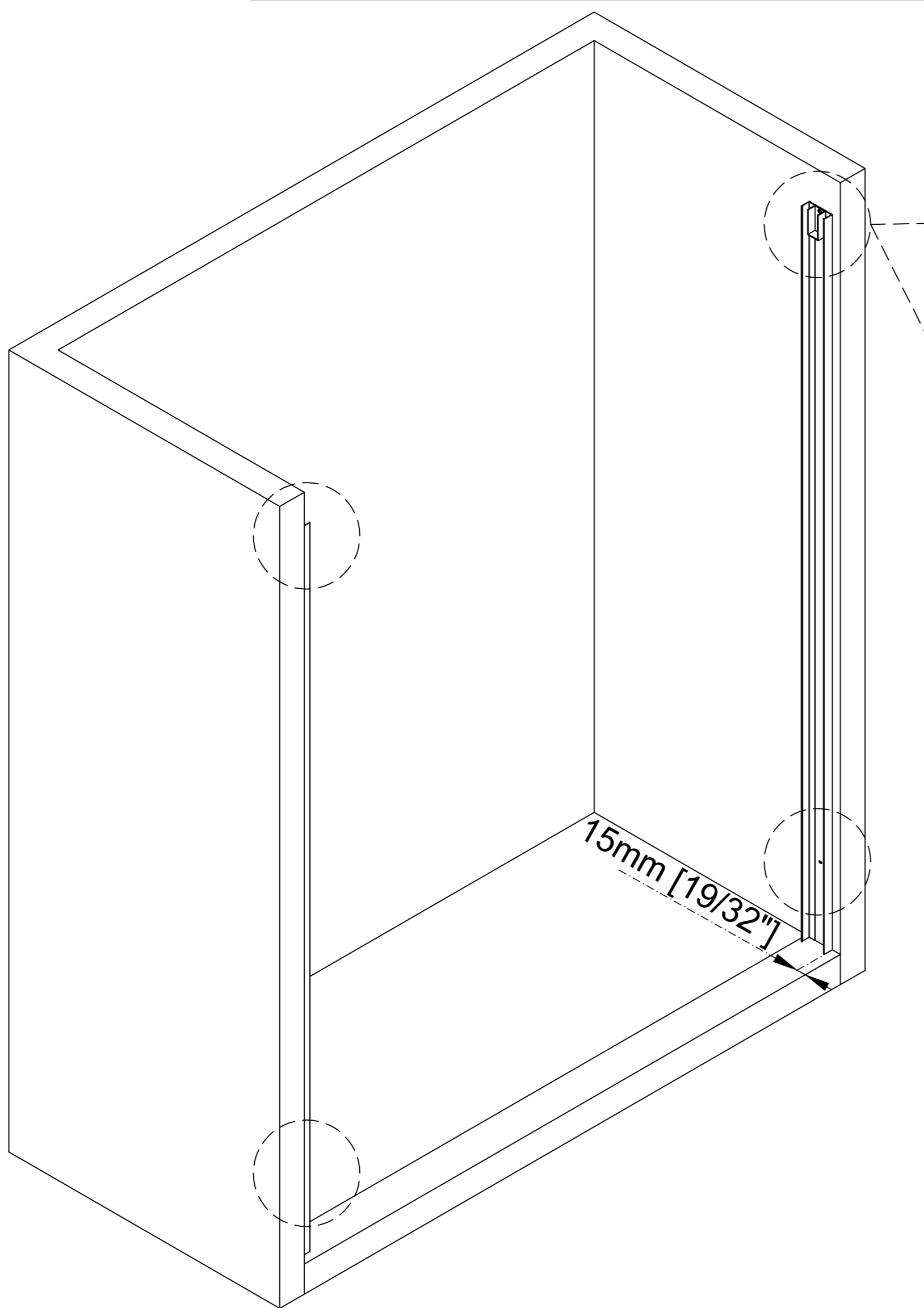
The Upper Guide Rail, Wall Profiles and Bottom Rail are pre-cut for the model size:
Upper Guide Rail (J) = 60"
Wall Jamb (E) = 69 1/4"
Bottom Rail (B) = 60"

Only the Upper Guide Rail (J) and Bottom Rail (B) need to be cut to fit the finished opening size.

3 Wall Jamb & Wall Bracket Installation

NOTE

1. Measure in 19/32" from the outside of the **Wall jamb(E)** as Fig.a;
2. Position the **Wall Jamb(E)** on the wall(19/32" inside).Please note one end with 2 holes faces up.Mark the location of the holes as Fig.b;
3. Drill the holes as Fig.c and Fig.d;
4. Apply silicone into the groove along the entire length of the **Wall Jamb(E)** as Fig e;
5. Attach the **Wall Jamb(E)** to the wall and attach the **Bracket(I)** to the **Wall Jamb(E)** as Fig f.



NOTE

- If a Stud is present behind the wall: drill a $\text{Ø}3/16$ "(4mm) hole up to the stud, drill an $\text{Ø}1/8$ "(3mm) pilot hole into the stud and use the ST4.0 x 30mm Pan Head Screws (bb), use the ST5 x 45 Countersunk Screws (dd) attach the wall bracket assemblies . OR
- If No Stud is present behind the wall: drill a $\text{Ø}1/4$ "(6mm) hole and insert the wall anchors (aa) and use the ST4.0 x 30mm Pan Head Screws (bb). drill a $\text{Ø}5/16$ " (8mm) hole and insert the wall anchors (ee) and use the ST5 x 45 Countersunk Screws (dd) attach the wall bracket assemblies .

4

Upper Guide Rail & Inside Roller Installation

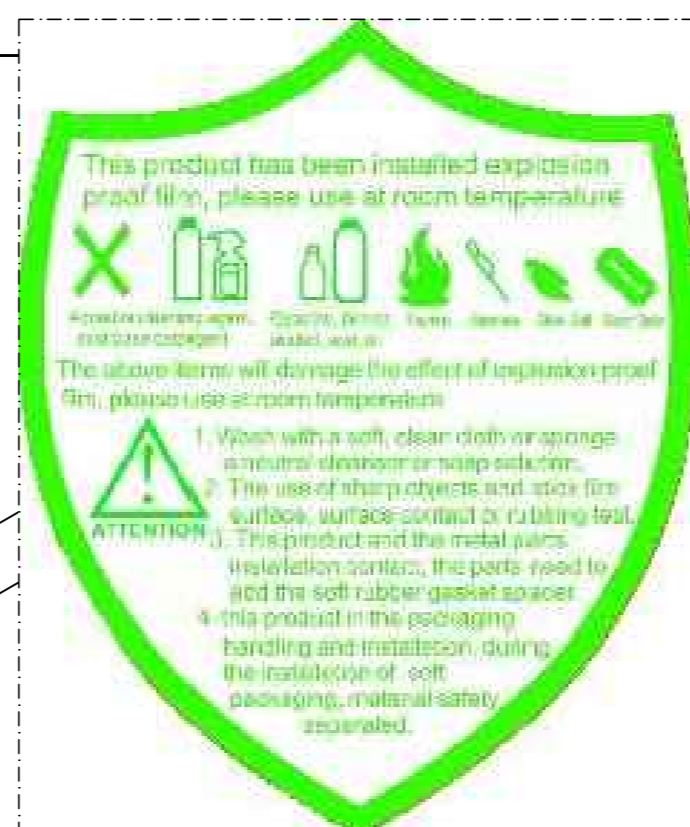
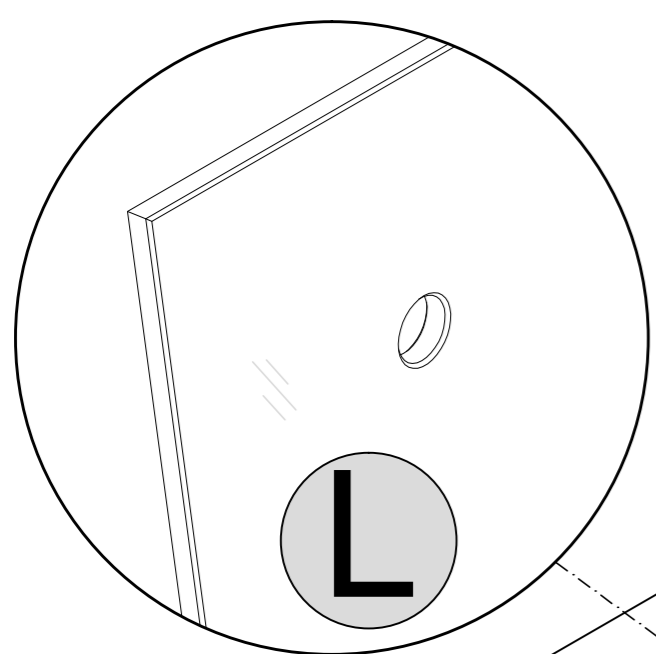
1. Insert the **Inside Roller (K)** into **Upper Guide Rail (J)**.
2. Insert the **Upper Guide Rail (J)** into the installed **Wall Bracket Assembly (I)**.



NOTE

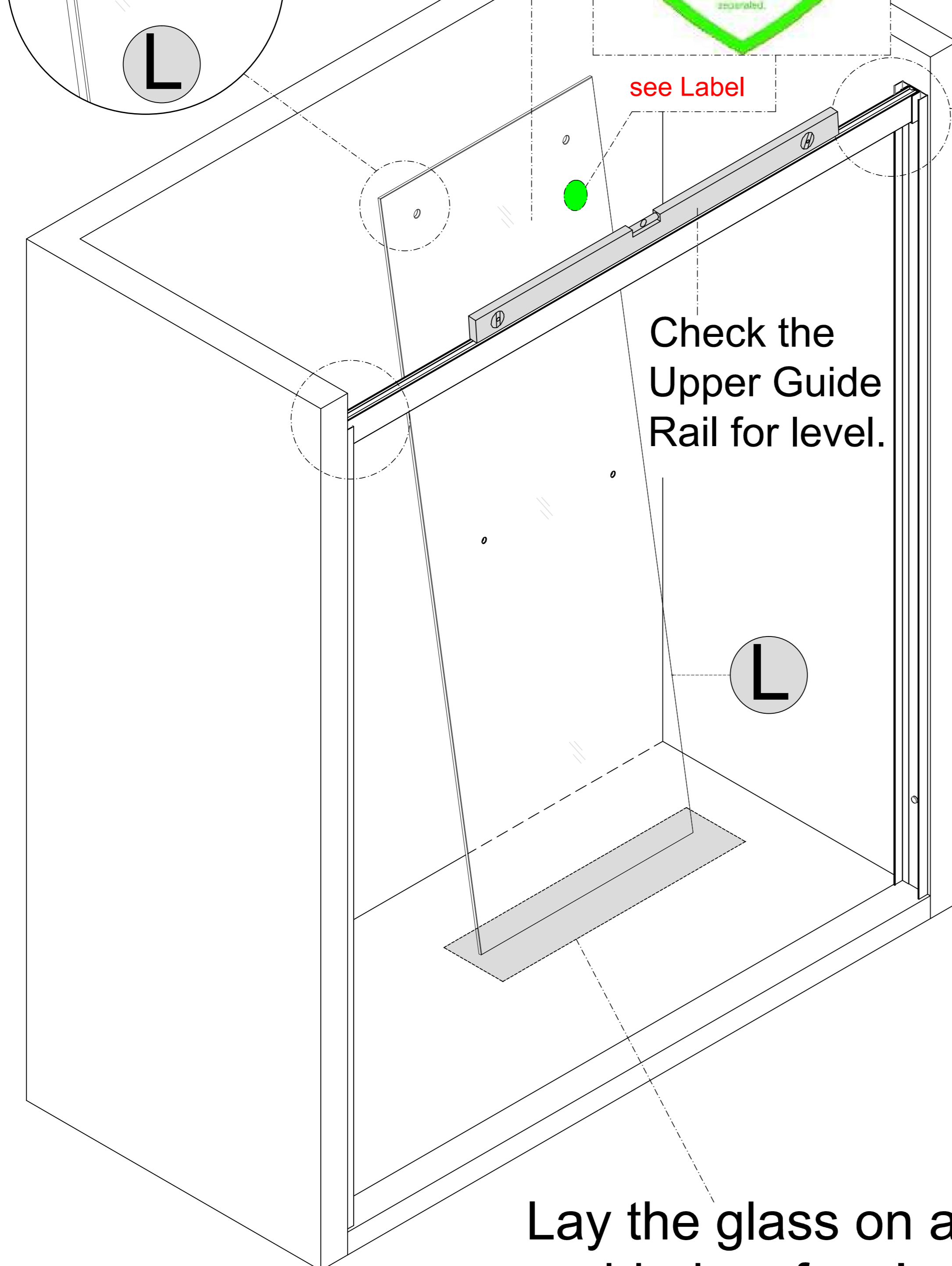
Put **Inside Glass Panel (L)** inside the shower place before install the **Upper Guide Rail(J)**, and the green label faces outside.

2 holes on the top!



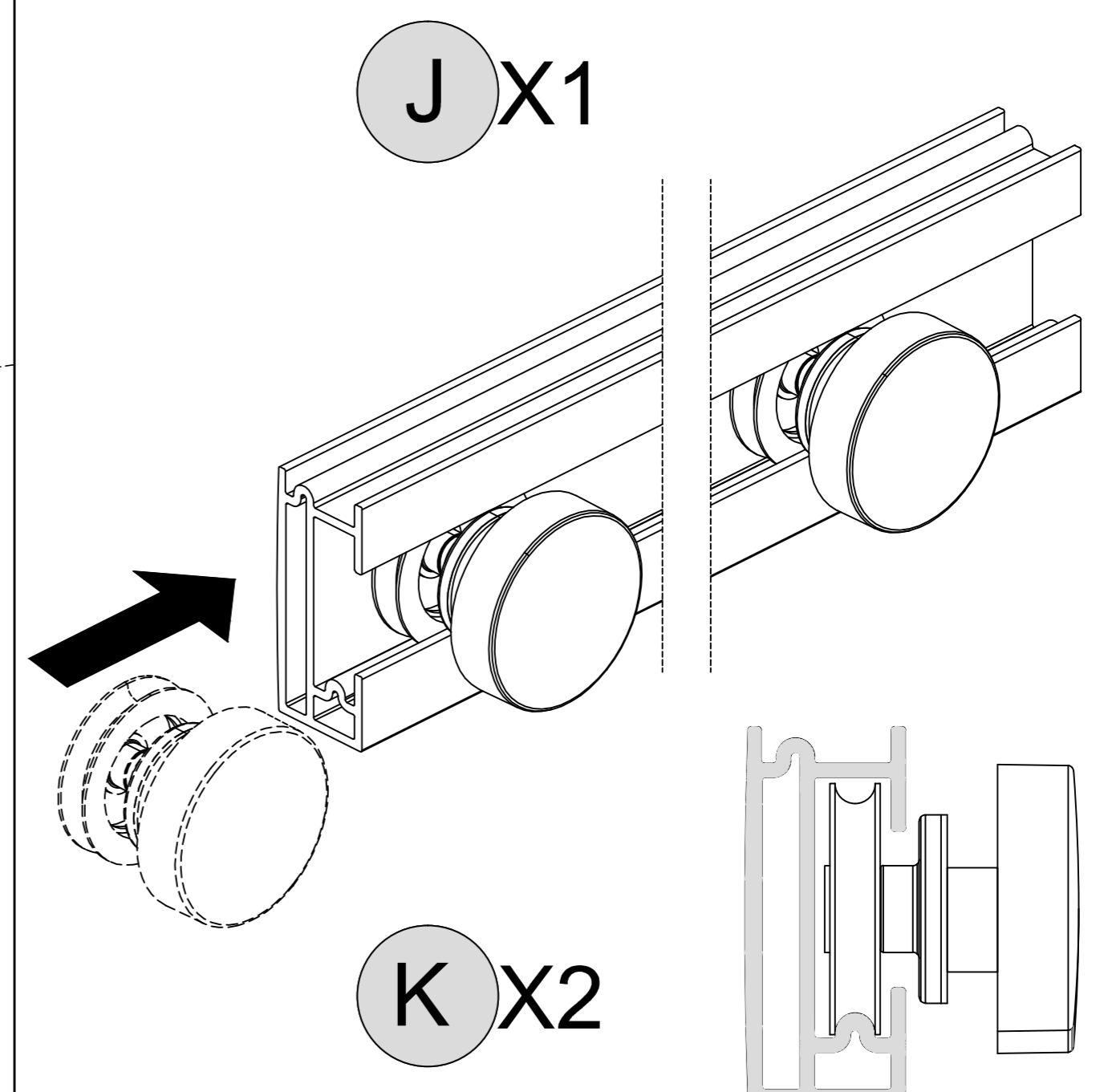
see Label

Check the Upper Guide Rail for level.

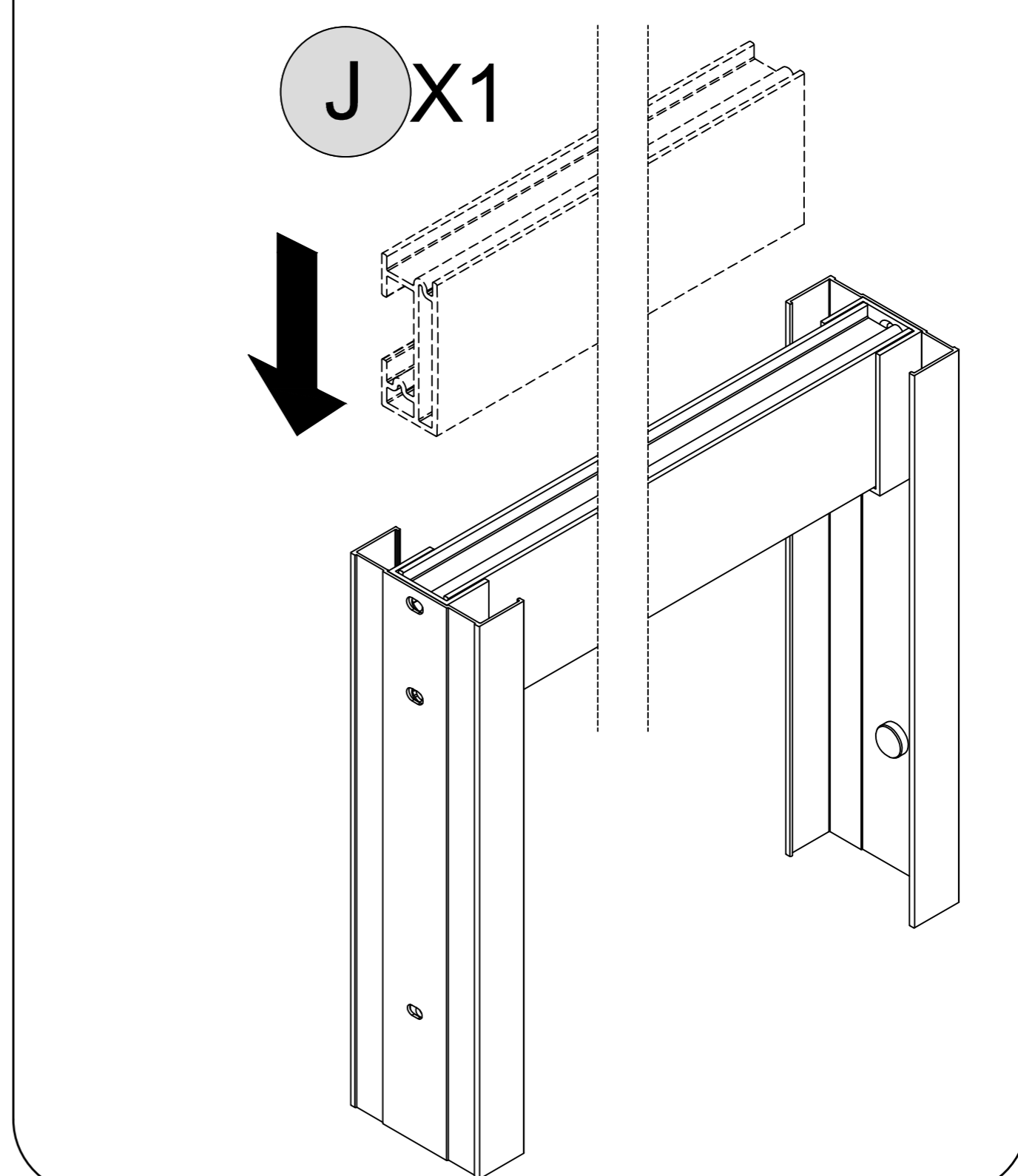


Lay the glass on a soft padded surface!

1 Insert K to J



2 Insert J to I



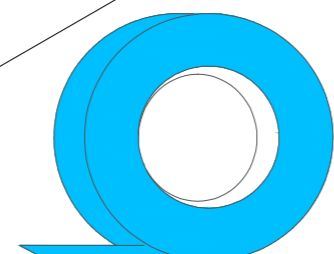
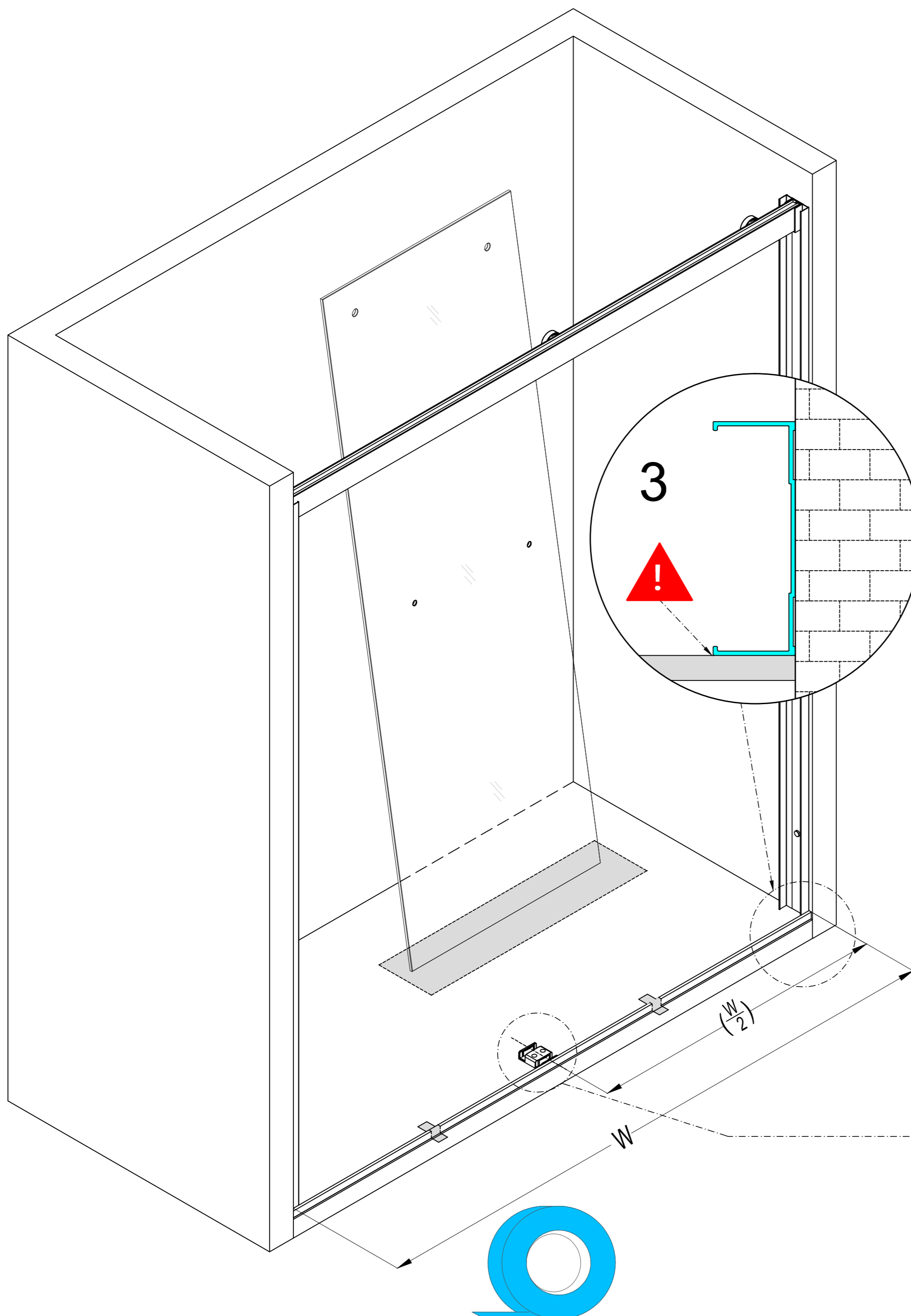
5

Bottom guide & Bottom Rail Installation

NOTE

Measure across the width of the threshold to locate and mark the center.

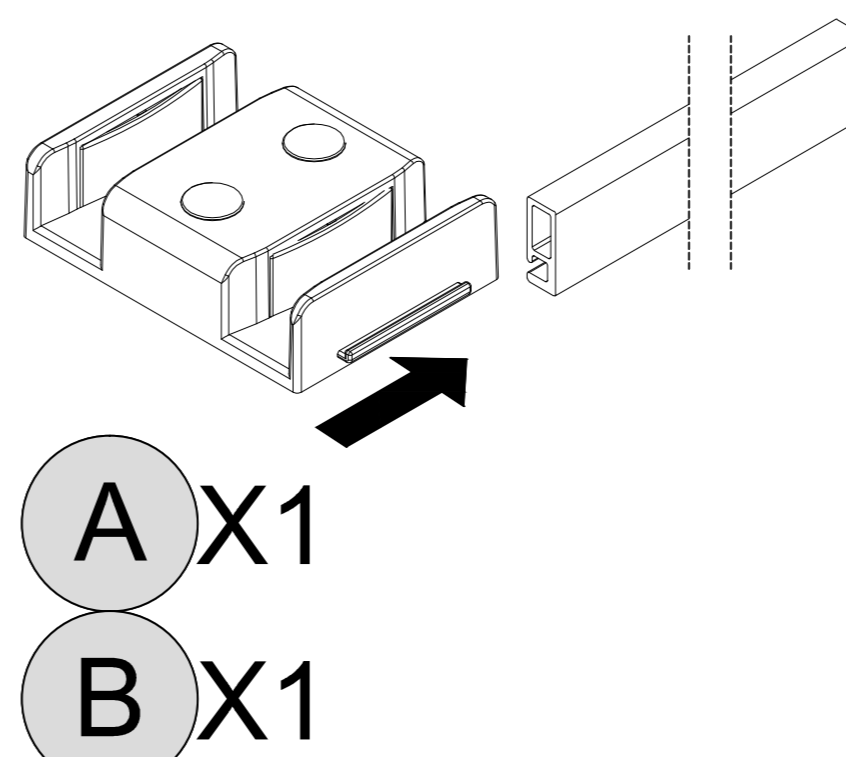
Drill a $\text{Ø}1/4''$ (6mm) hole and insert the **Wall Anchors (cc)** and use the ST4.0 x 30mm Pan Head **Screws (bb)**.



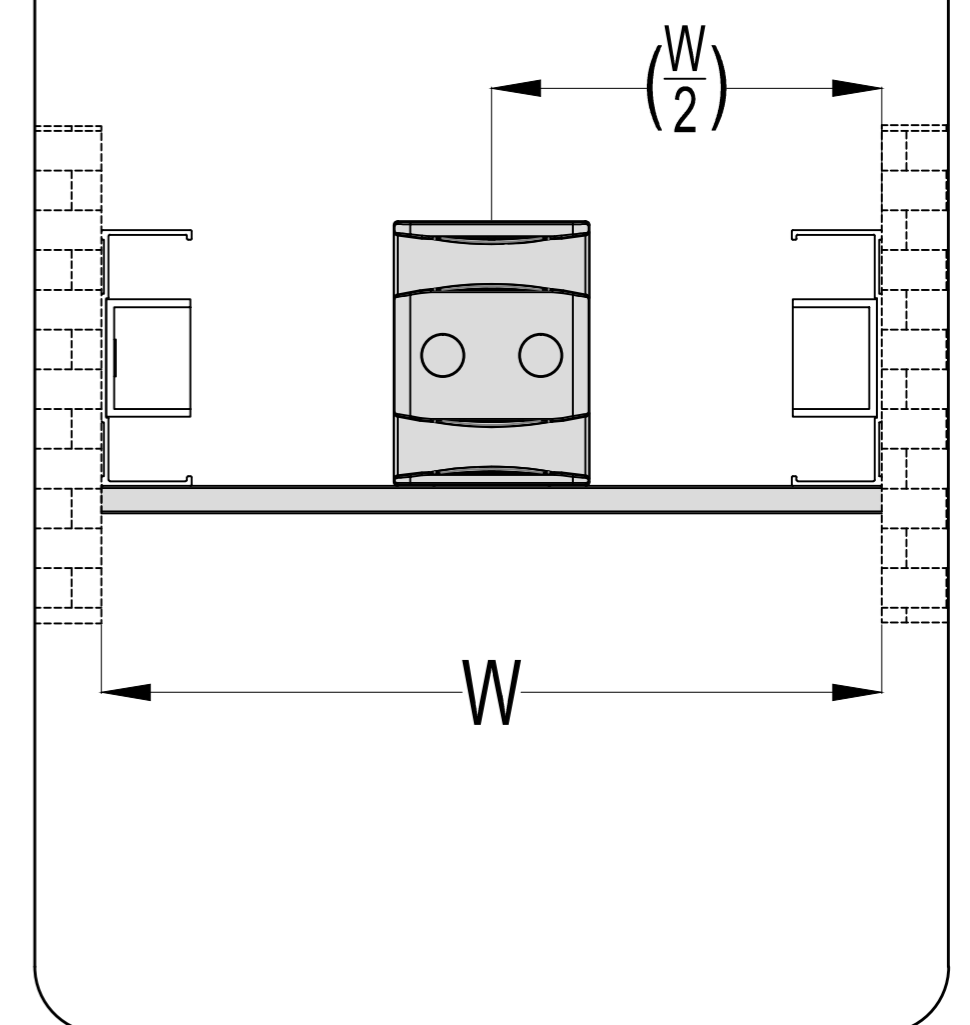
Use Painter's Tape to hold the Water seal

- 1、 Slide the **Bottom Guide(A)** to the **Bottom Rail(B)**.
- 2、 Position the **Bottom Guide(A)** to the middle of shower door.
- 3、 Put the **Bottom Rail(B)** next to the outside of two **Wall jambs(E)**.
- 4、 Mark the holes.
- 5、 Drill holes.
- 6、 Insert the **Wall Anchors(cc)**.
- 7、 Install the **Screws(bb)**.

1 Insert A to B

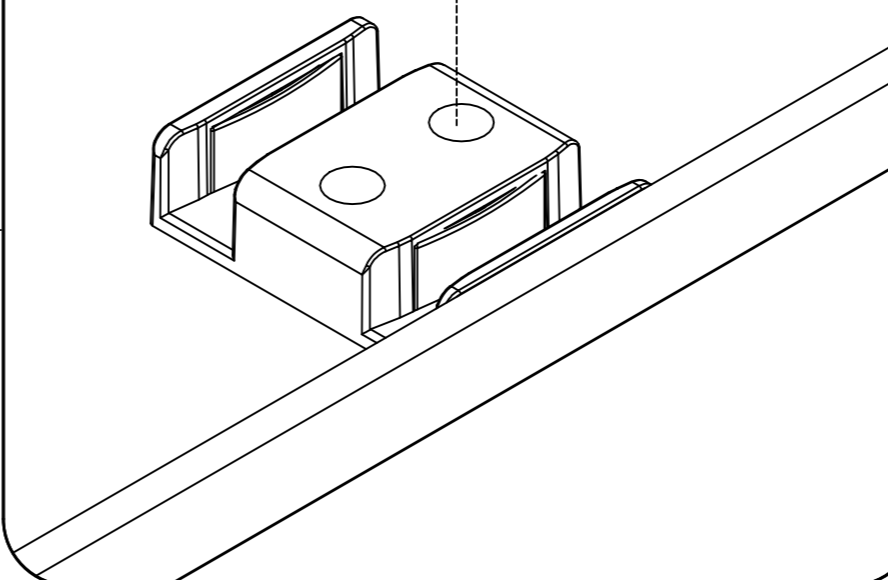


2 Measuring



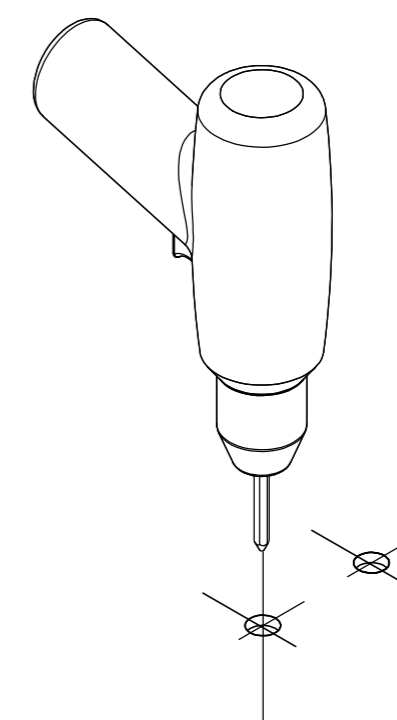
4

Marking



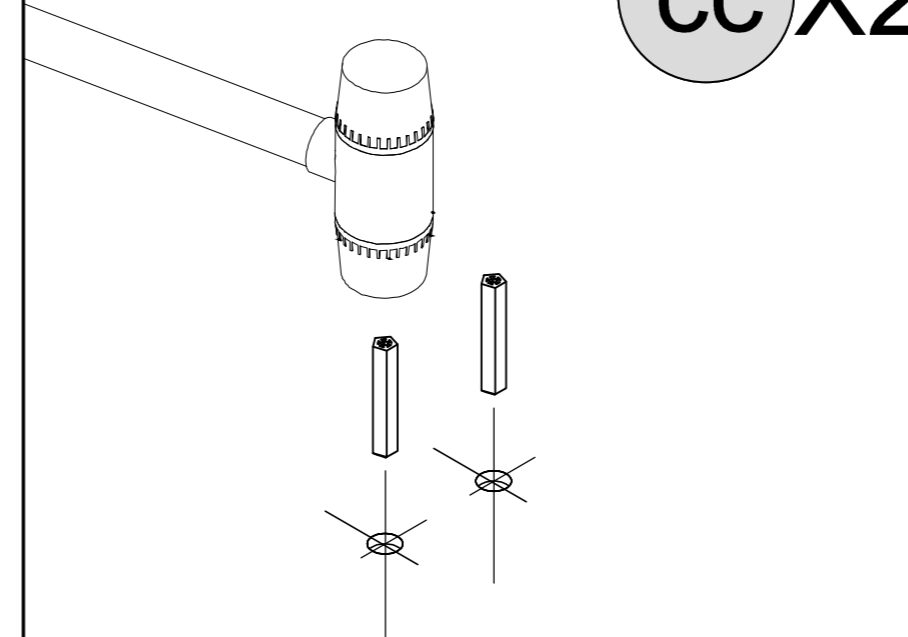
5

Drill Bit
 $\text{Ø} = 1/4''$



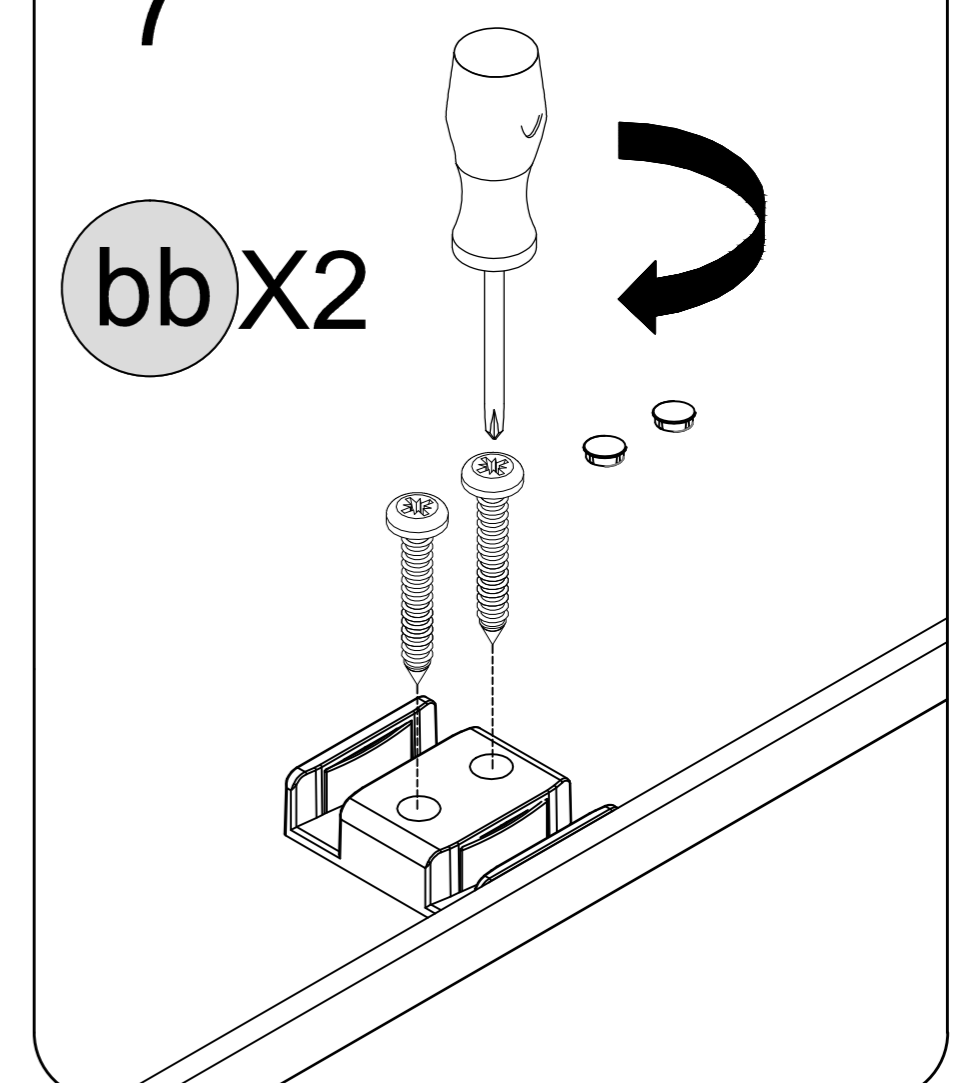
6

cc X2



7

bb X2



6

Inside Door panel Installation

NOTE

DO NOT install the towel bars on the glass until instructed.
 DO NOT lift the glass using the towel bars.
 This could result in damage to the glass and/or serious personal injury.
 Always use an assistant or a professional grade glass suction cup when handling heavy glass.



The green label faces outside.

see Label

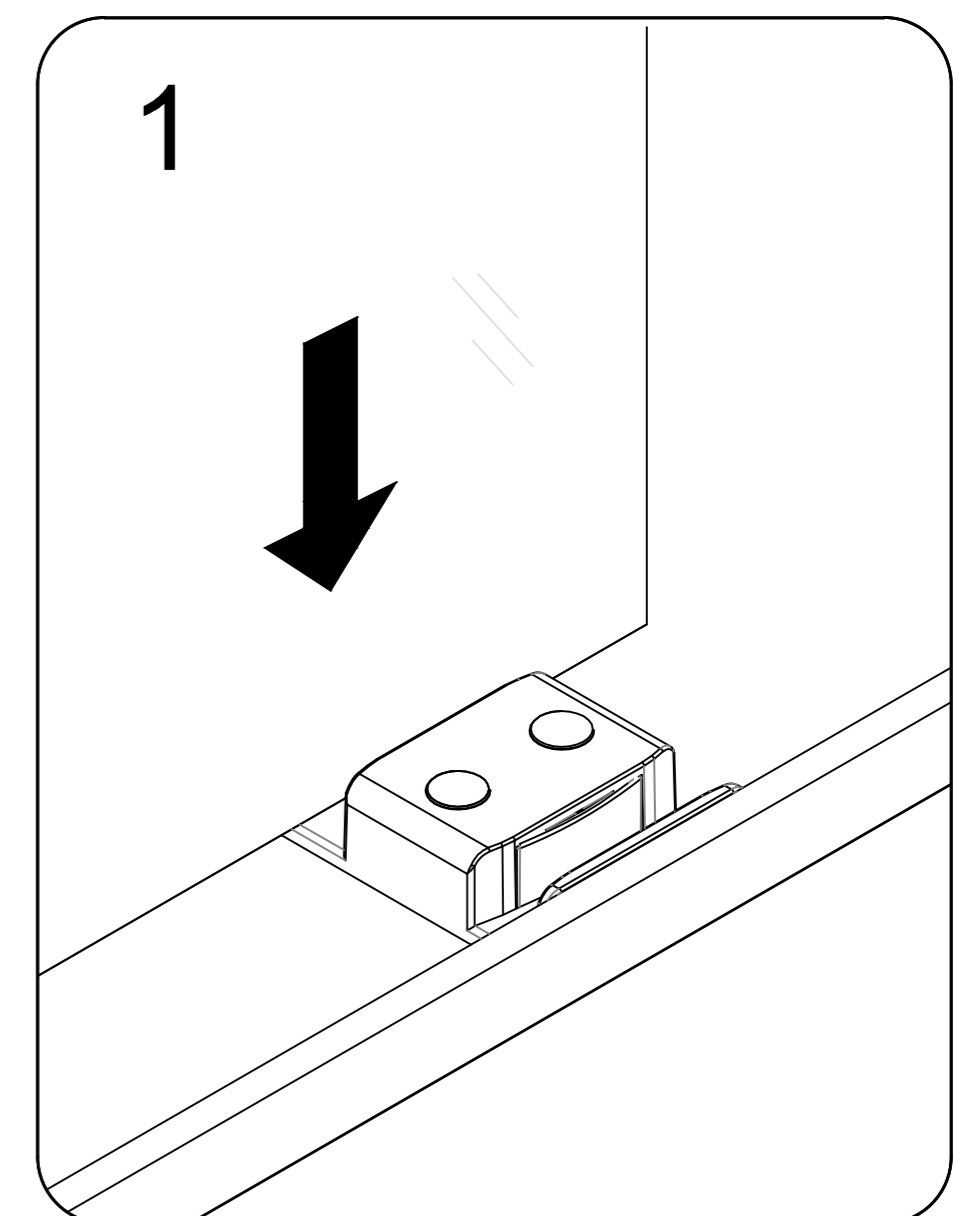
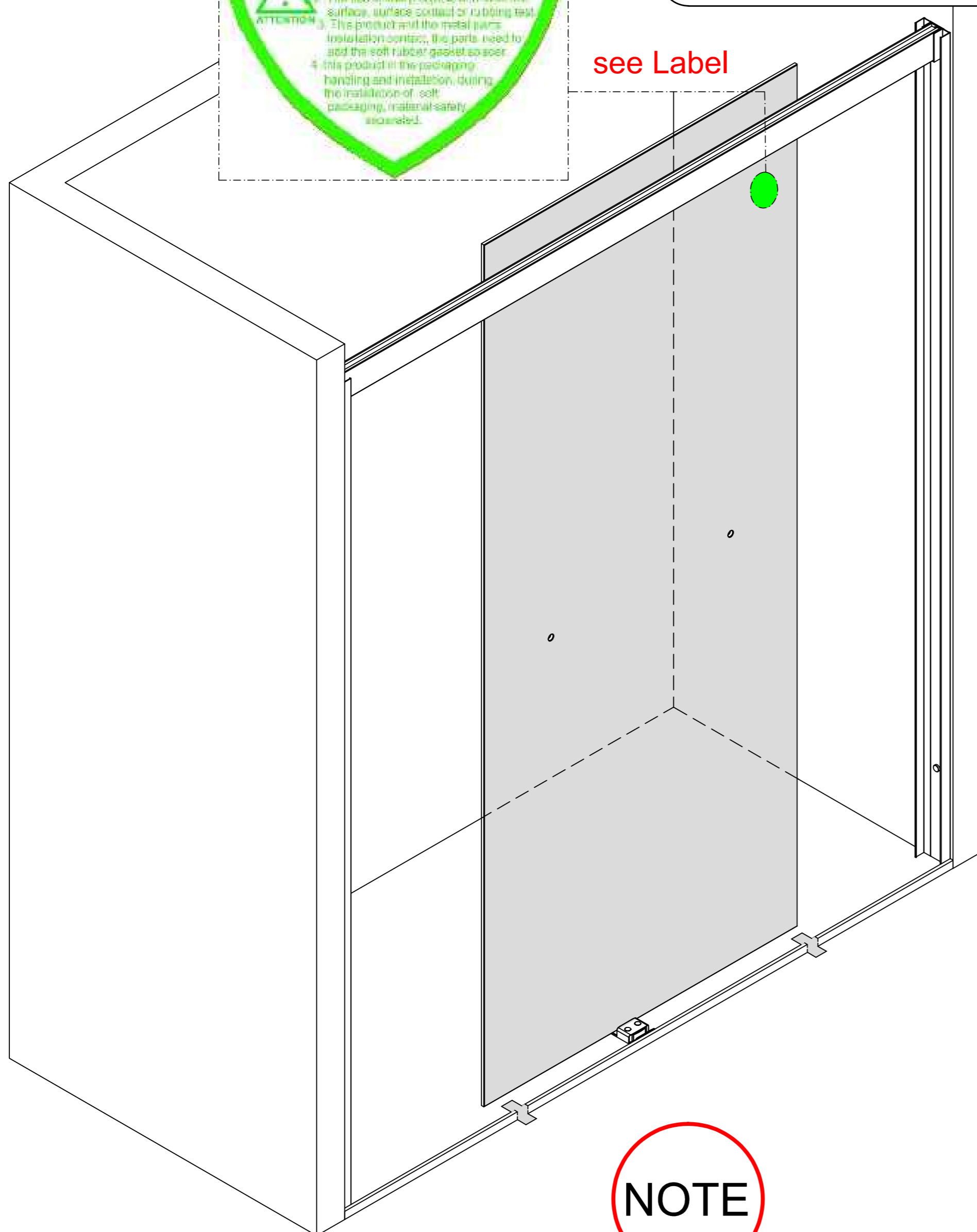


Fig.1

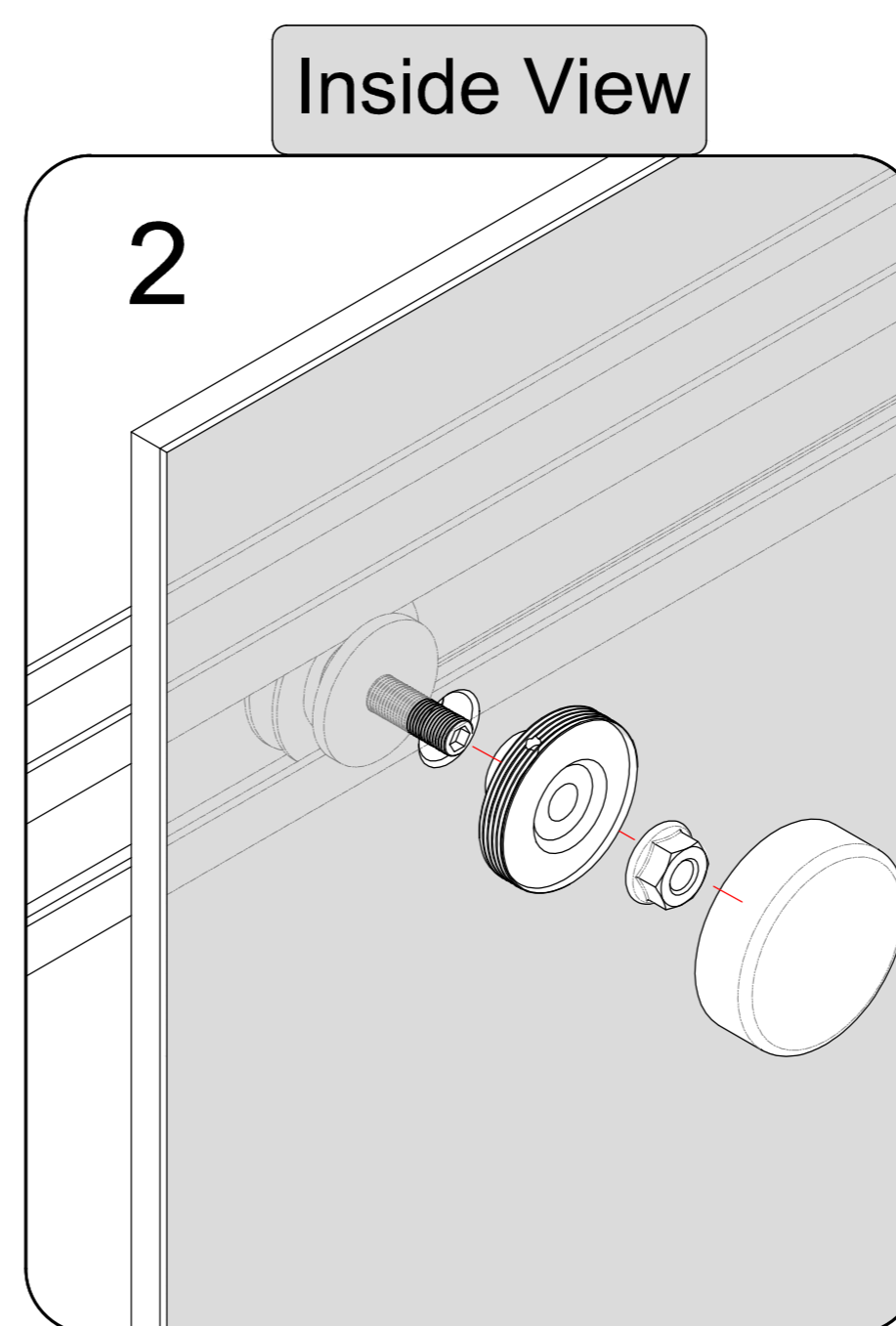


Fig.2

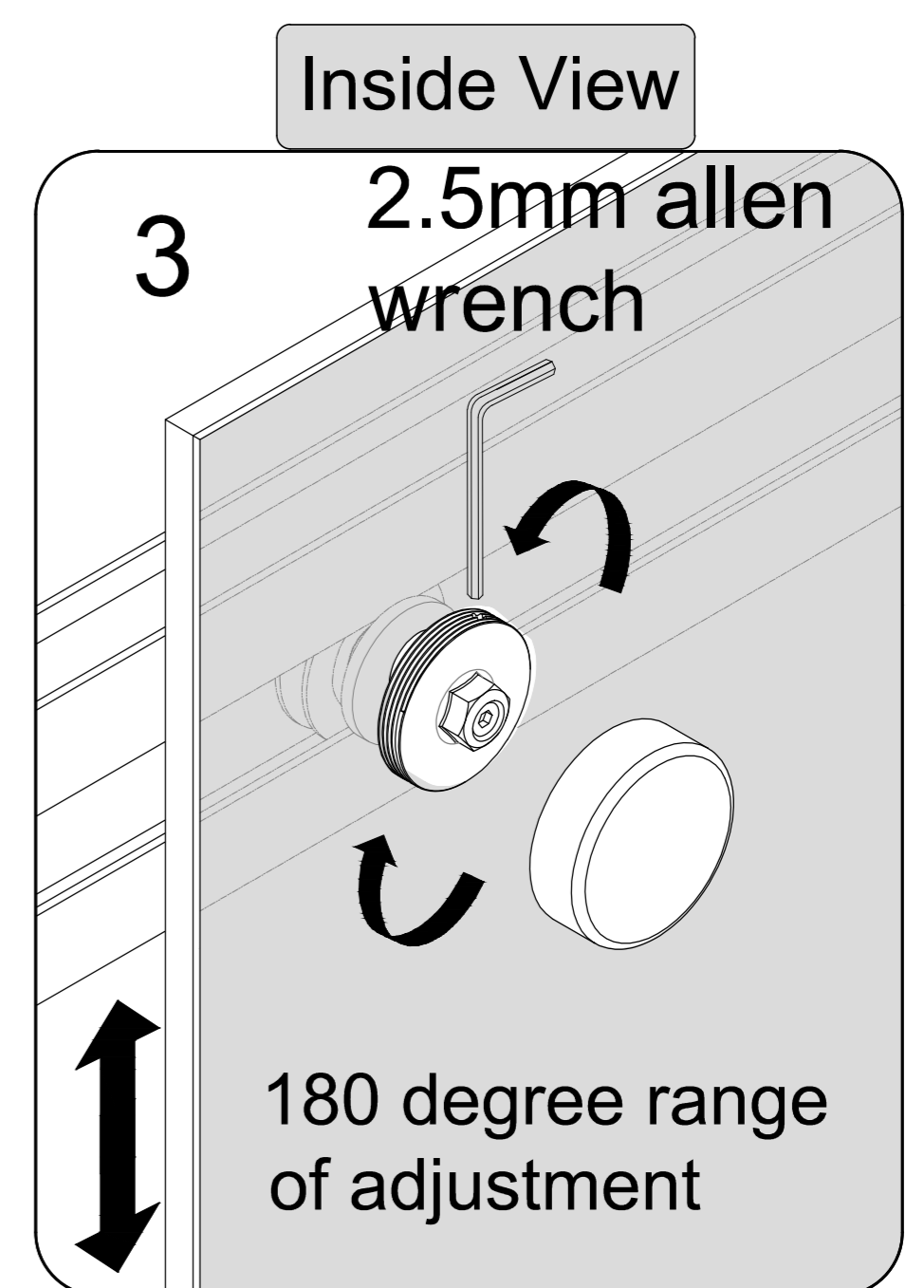


Fig.3

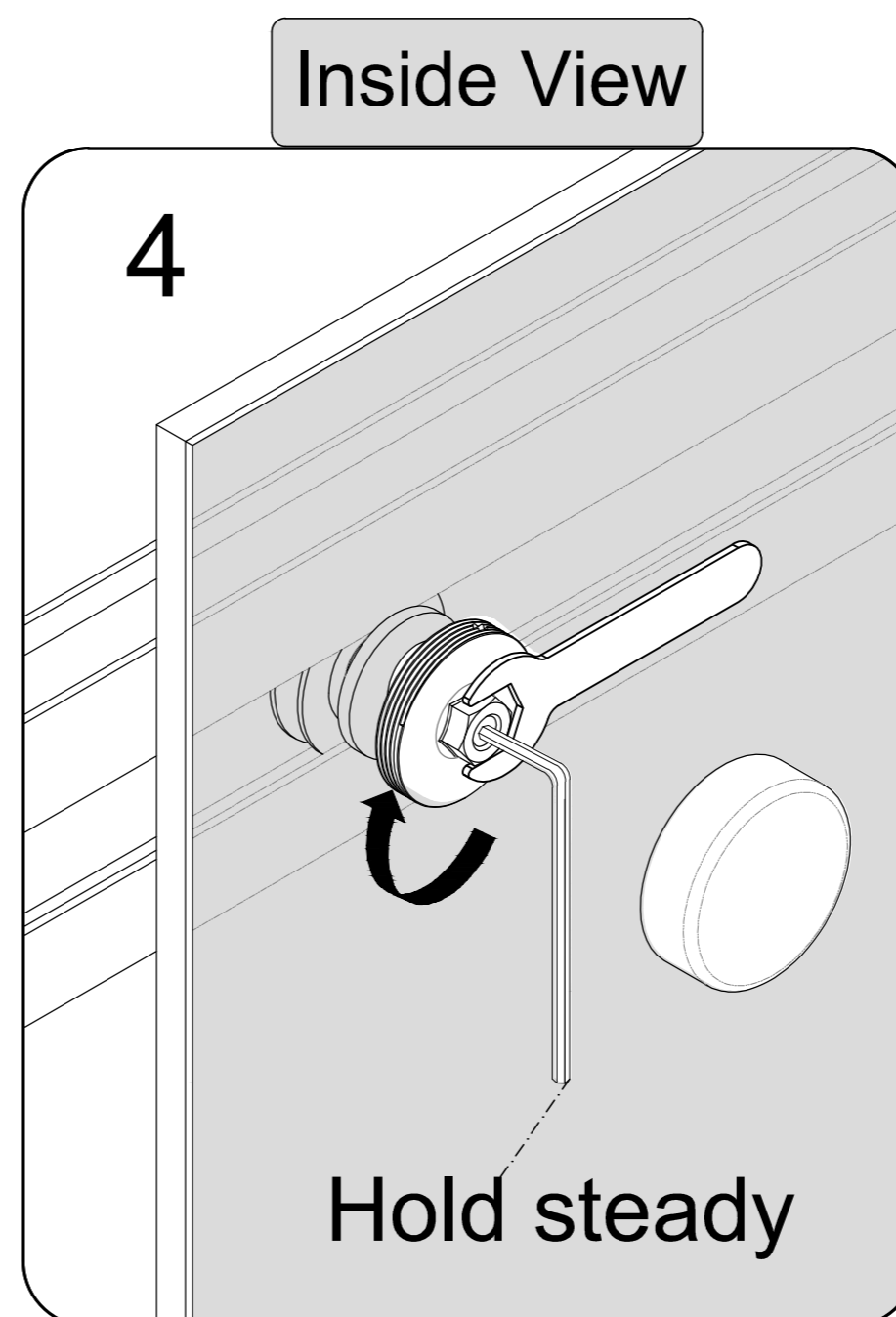
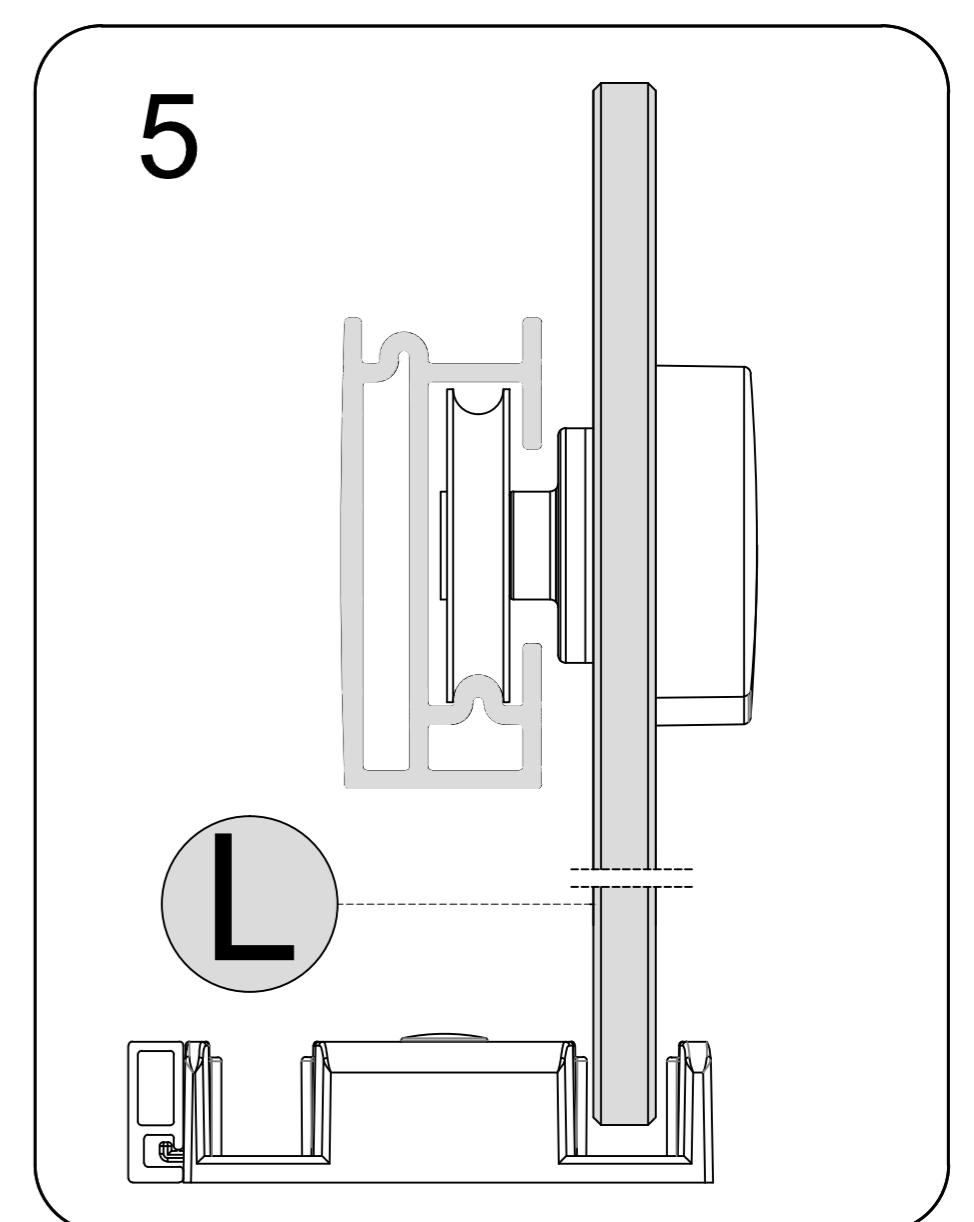


Fig.4



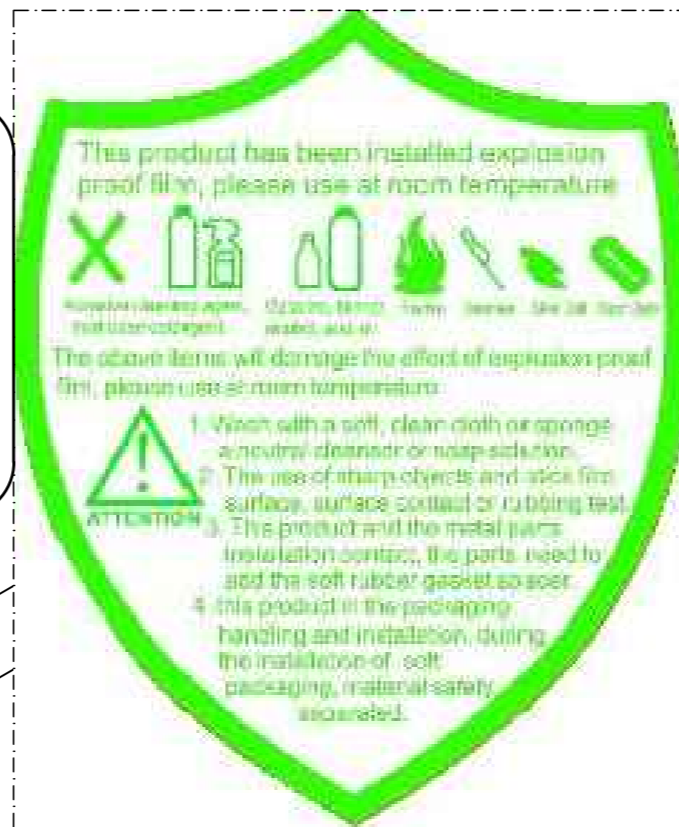
1. Insert the **Inside Door Panel(L)** into the **Bottom Guide(A)** as Fig 1.
2. Remove the cap and screw from the **Rollers (K)** and attach the **Rollers (K)** to the **Inside Door Panel(L)**. Fig2
3. Adjust rollers up or down to make sure the door align with wall as Fig 3.
4. Fasten the screw nut. as Fig4.

NOTE

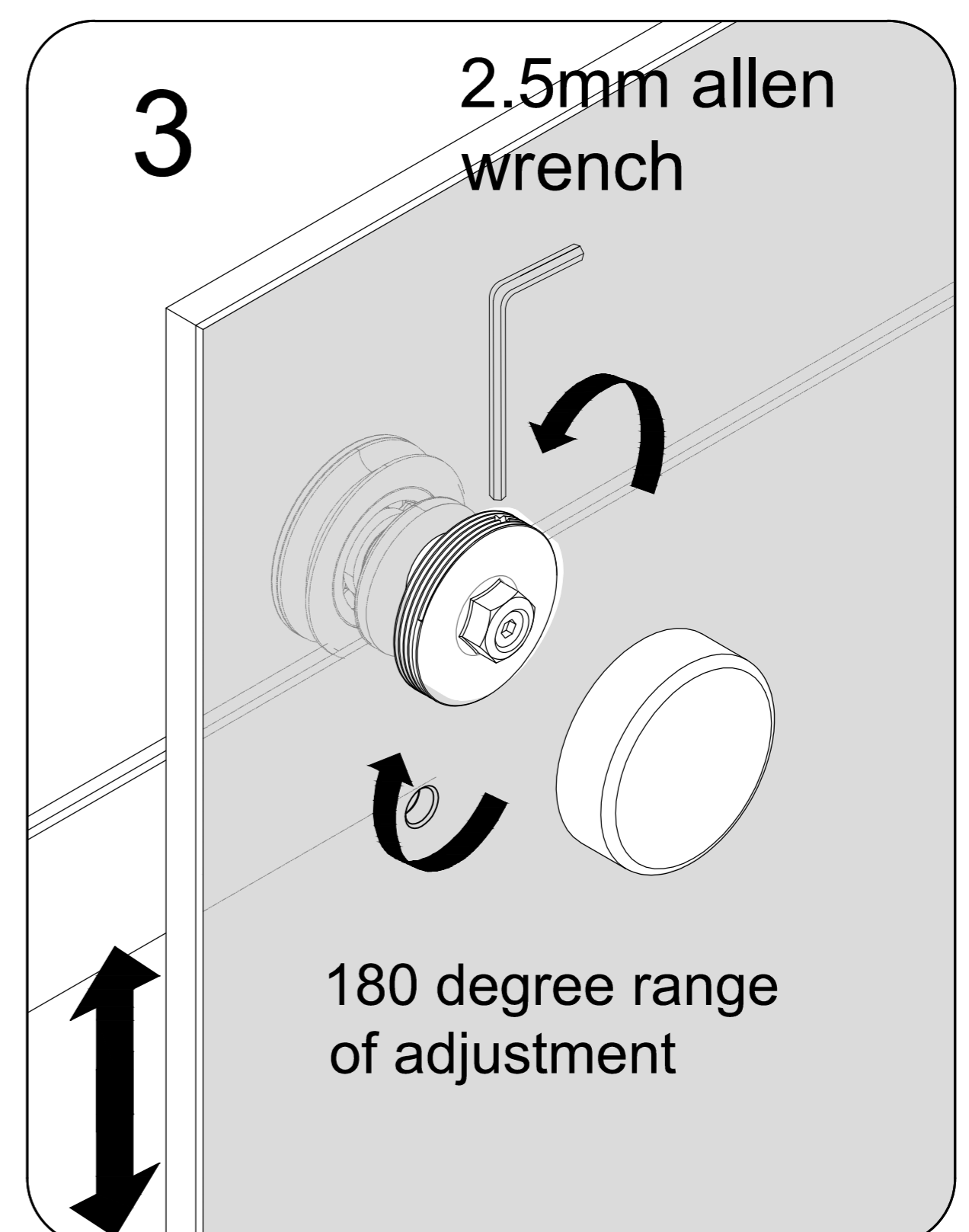
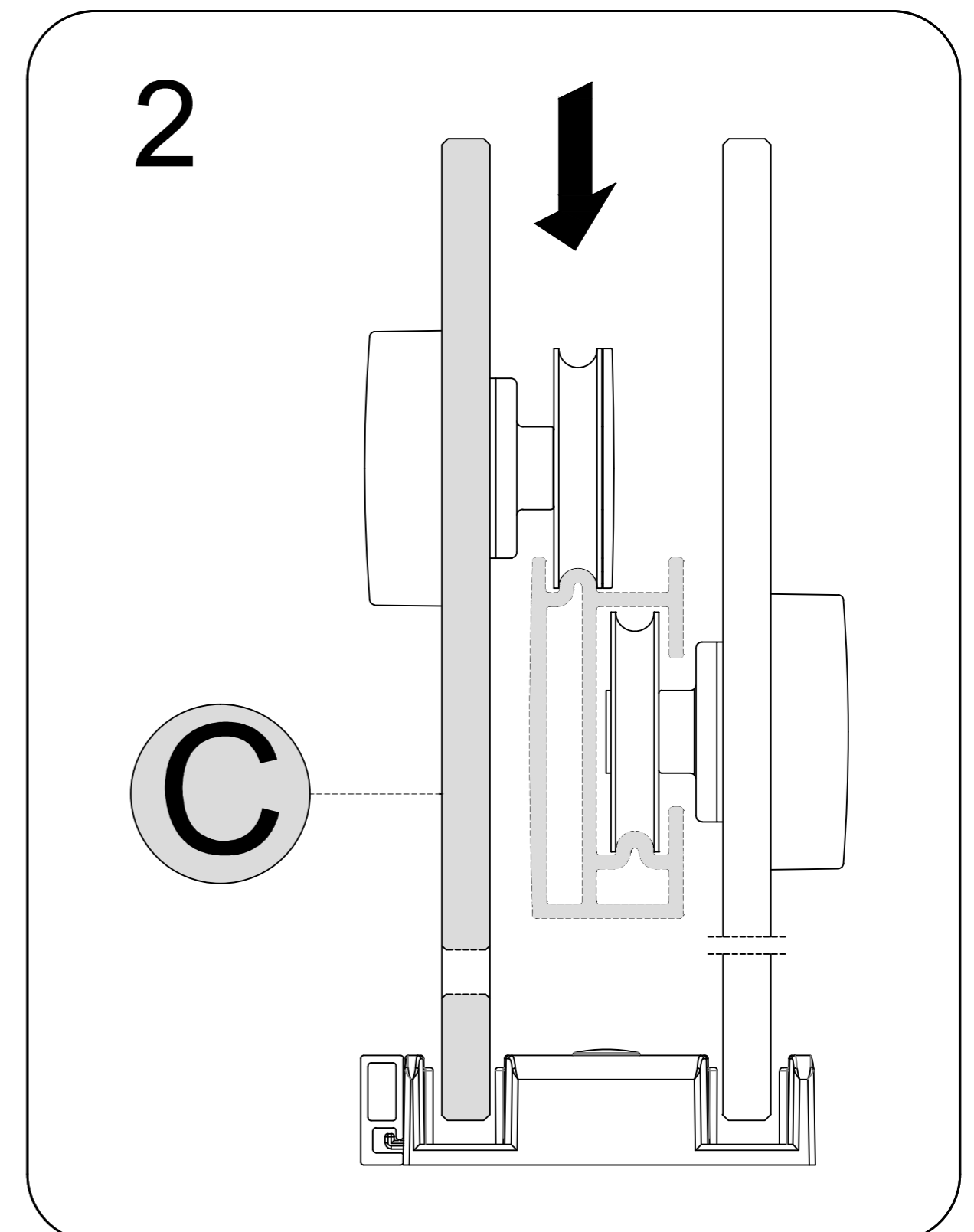
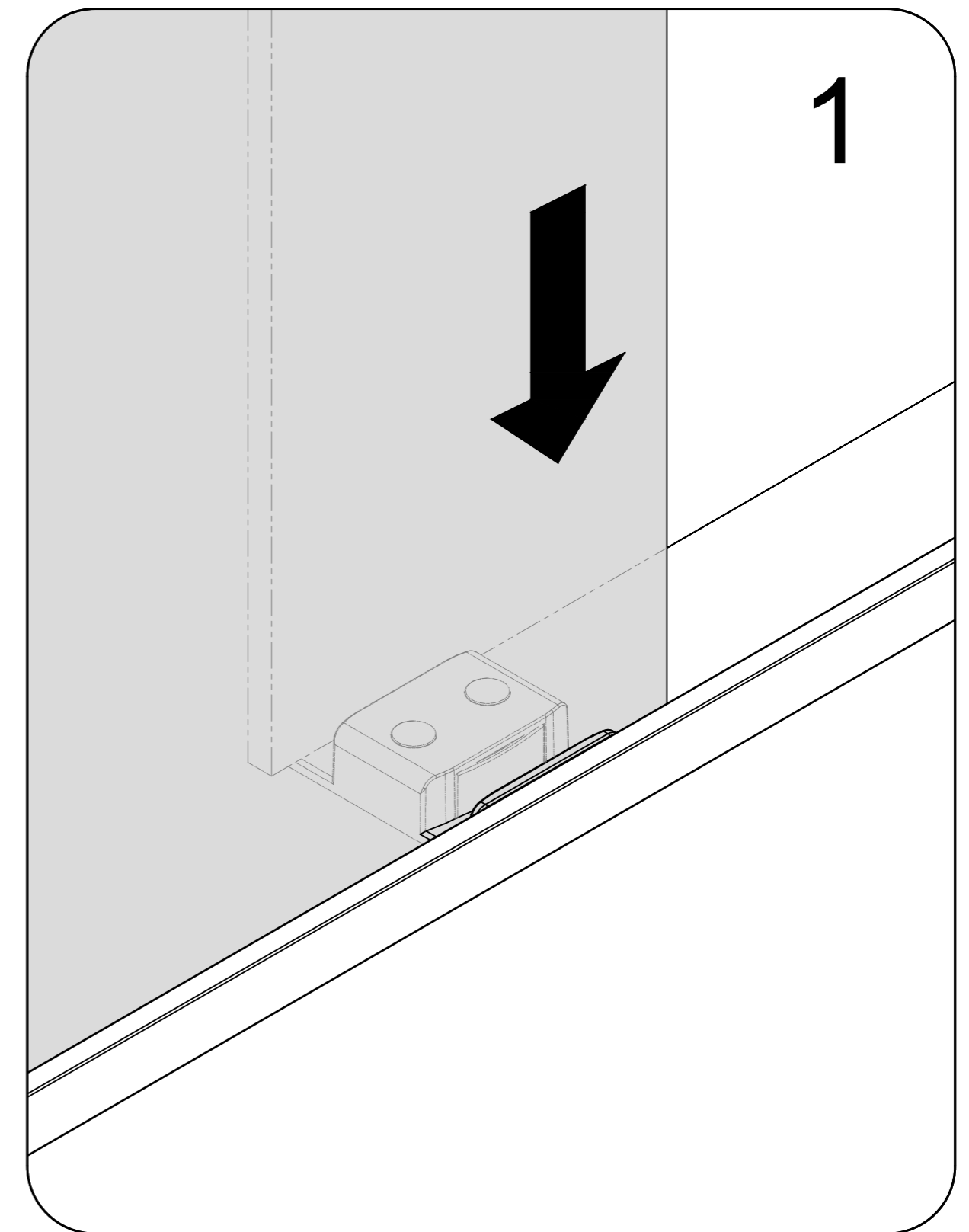
6-2

Door panel(outside) & Roller(outside) Installation

The green label faces outside.



see Label



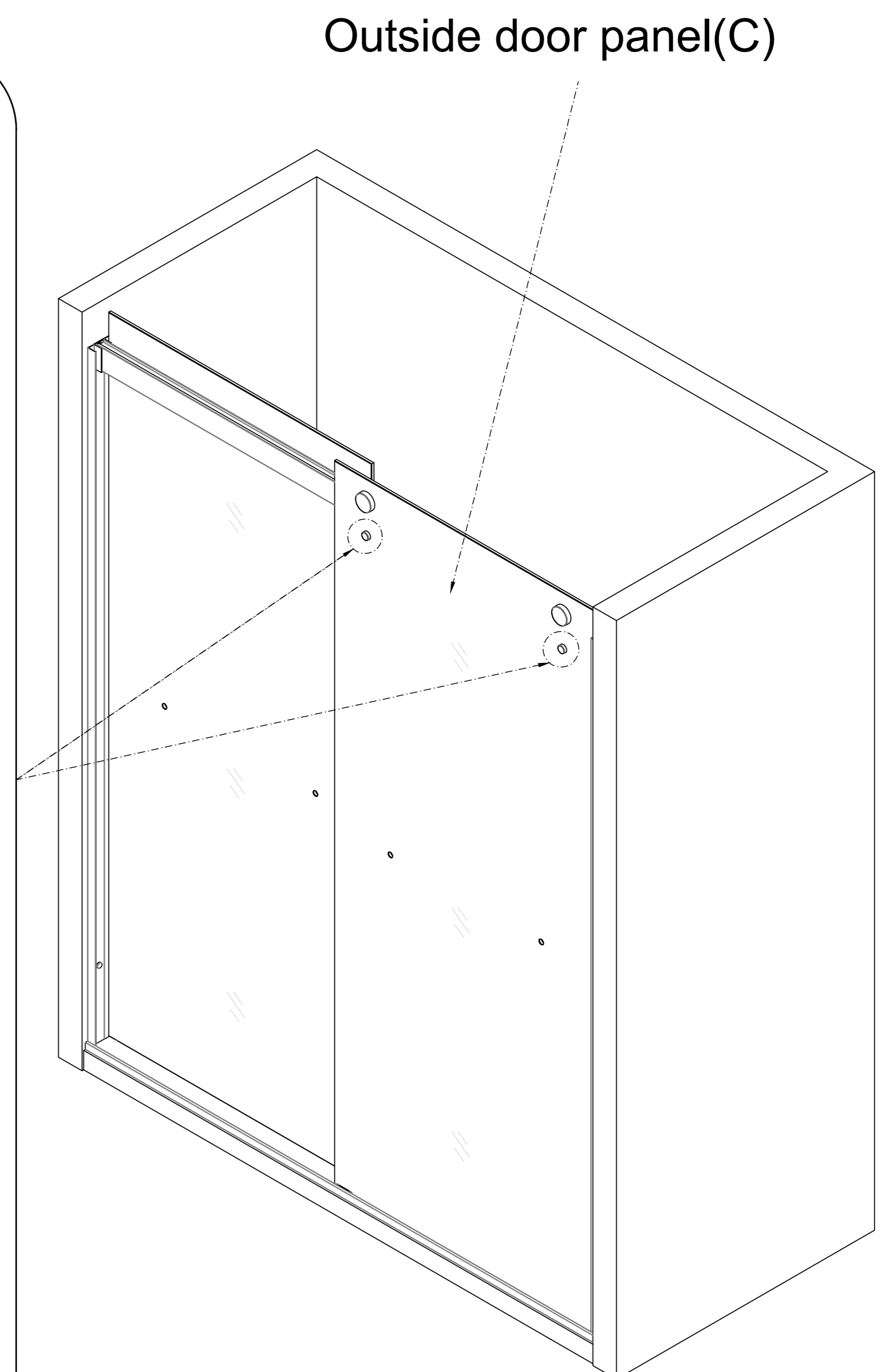
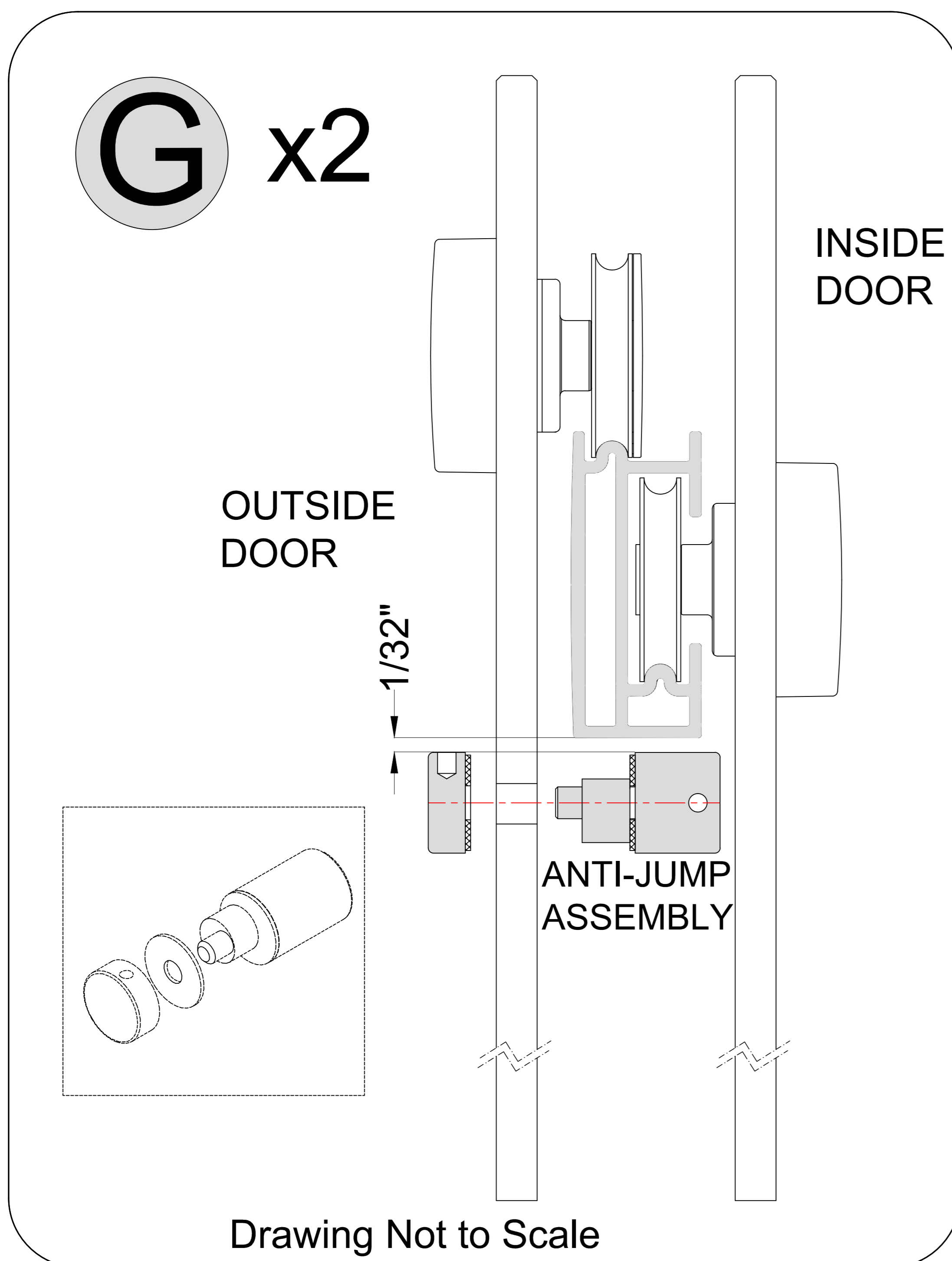
NOTE

Adjust rollers up or down so door aligns with wall.

7 Anti-jump assembly Installation

NOTE

Attach the **Anti-jump Assembly (G)** to the **Outside Door Glass (C)** to prevent the door glass from being lifted off of the **Upper Guide Rail (J)**. Adjust the **Anti-jump Assembly (G)** to within 1/32" beneath the **Upper Guide Rail (J)**.

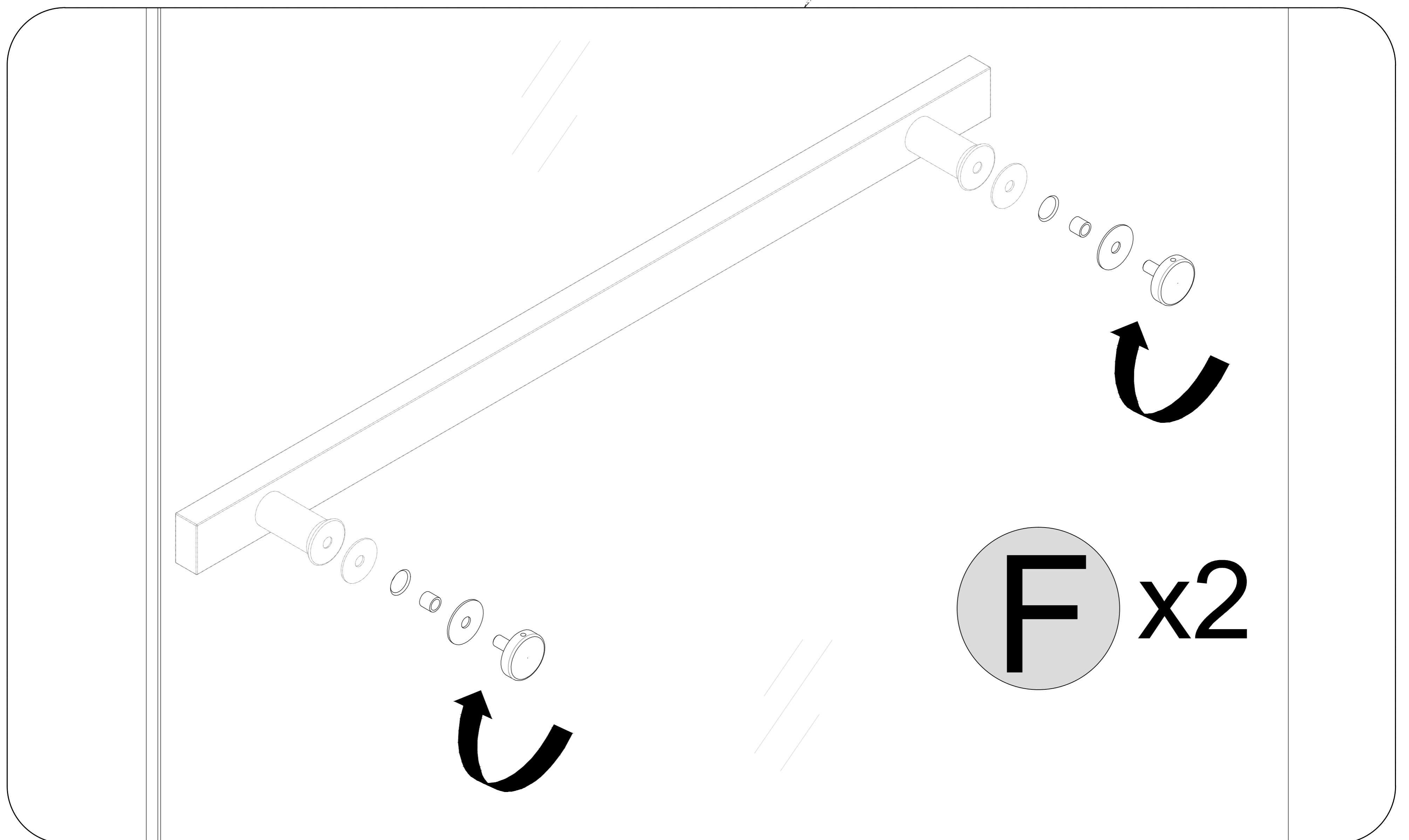
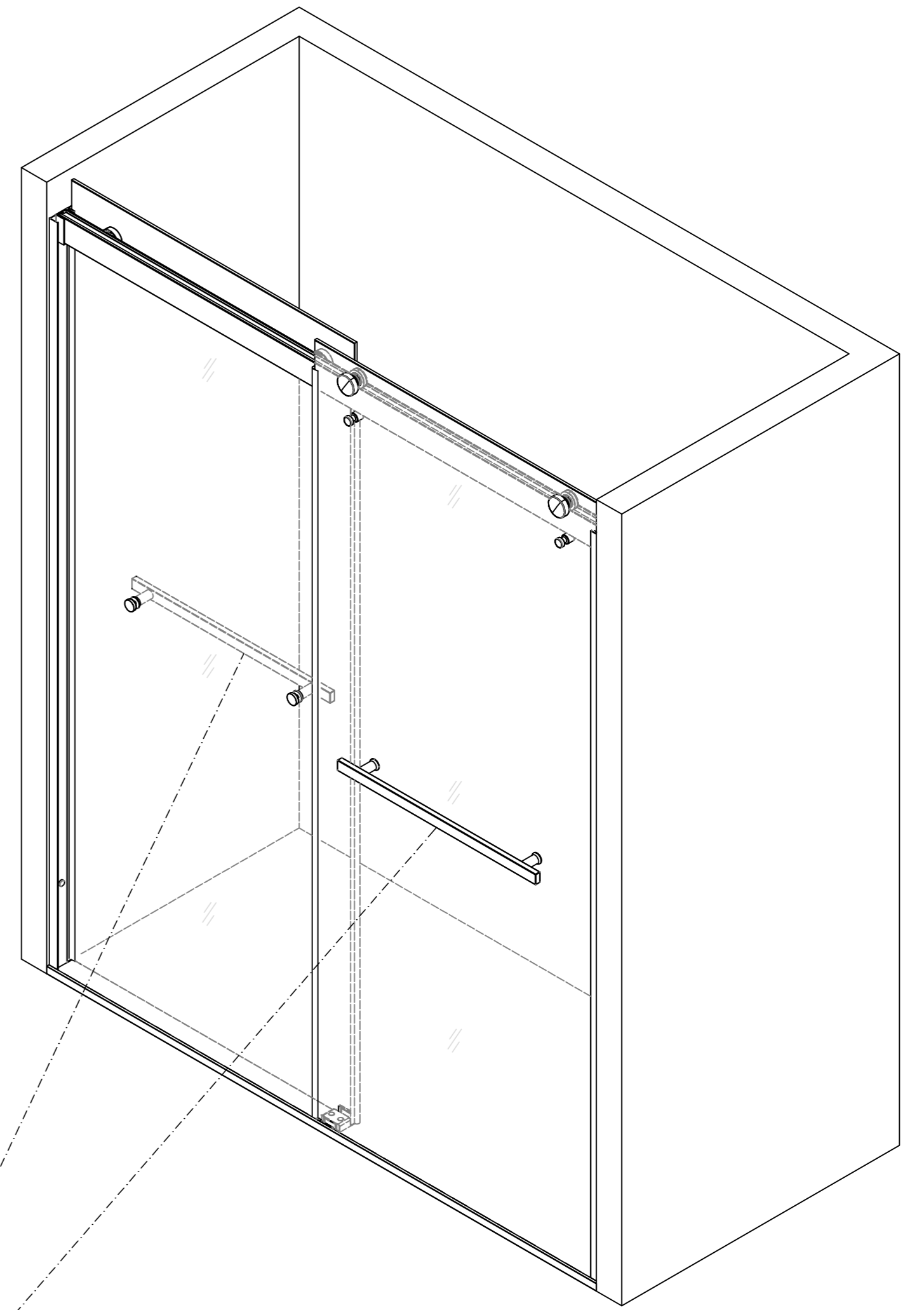


8

Handle Installation

NOTE

Attach the **Handle (F)** to the **Inside Door Panel (L)** and to the **Outside Door Panel (C)**. Be sure to use all of the supplied rubber gaskets to protect the glass.

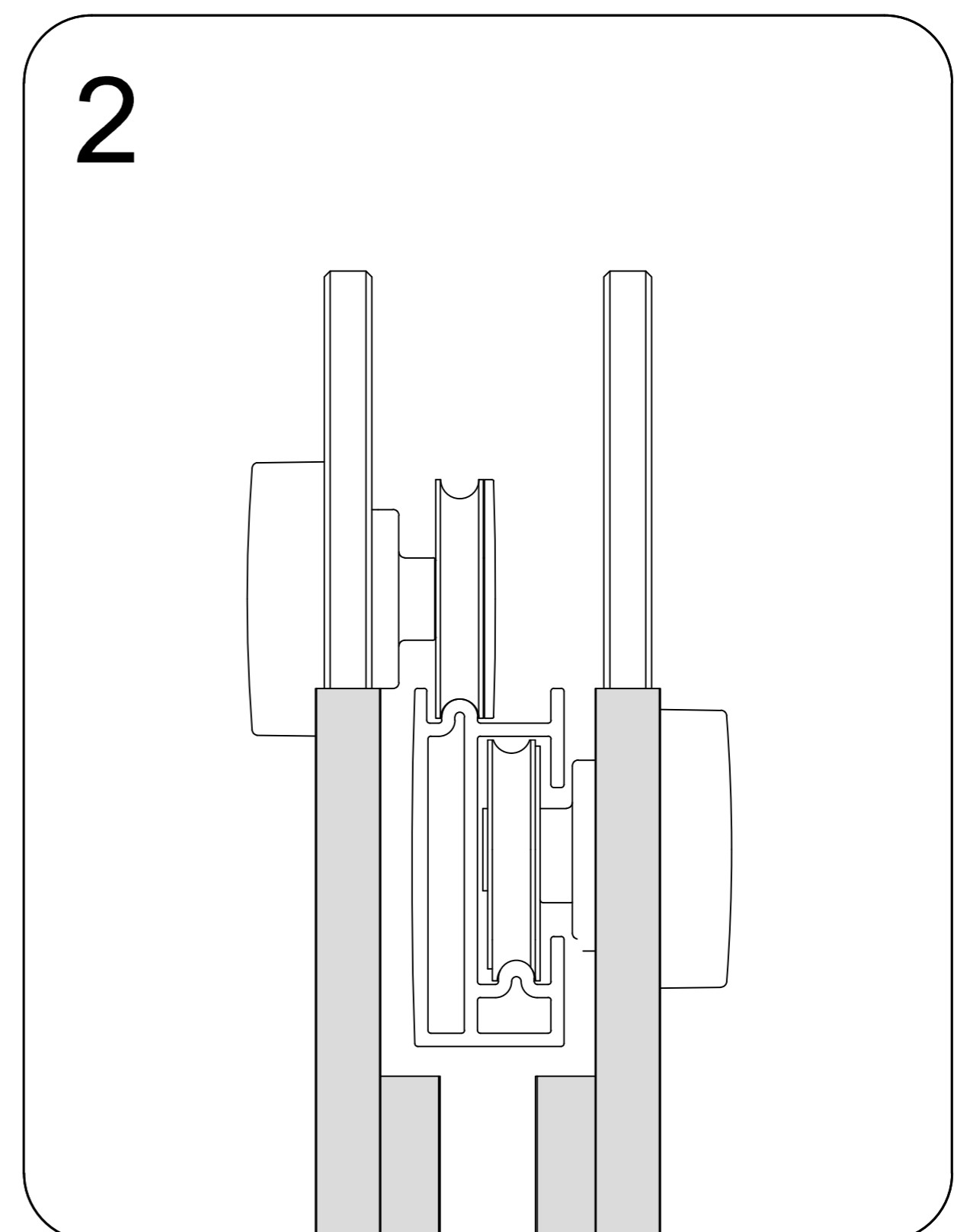
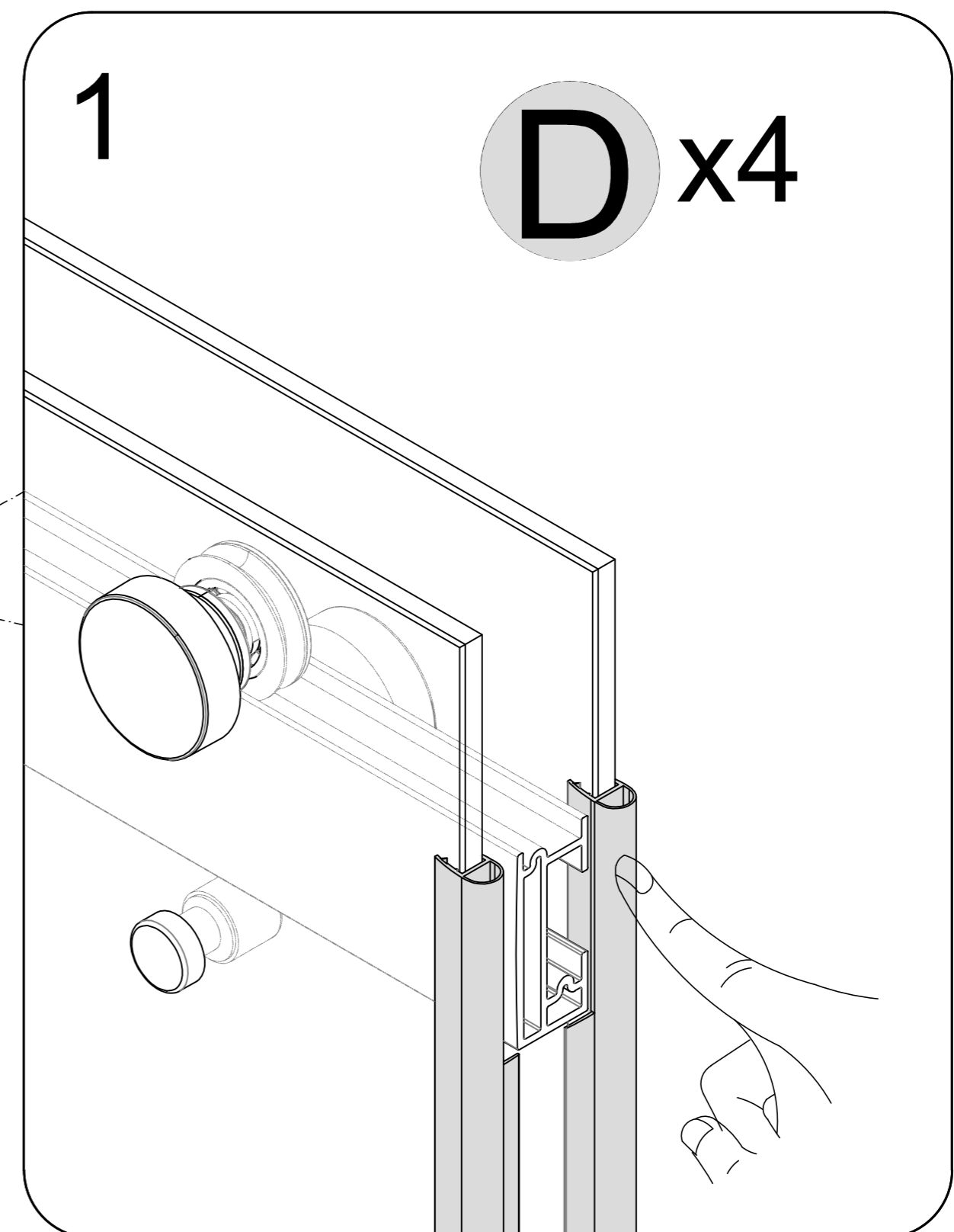
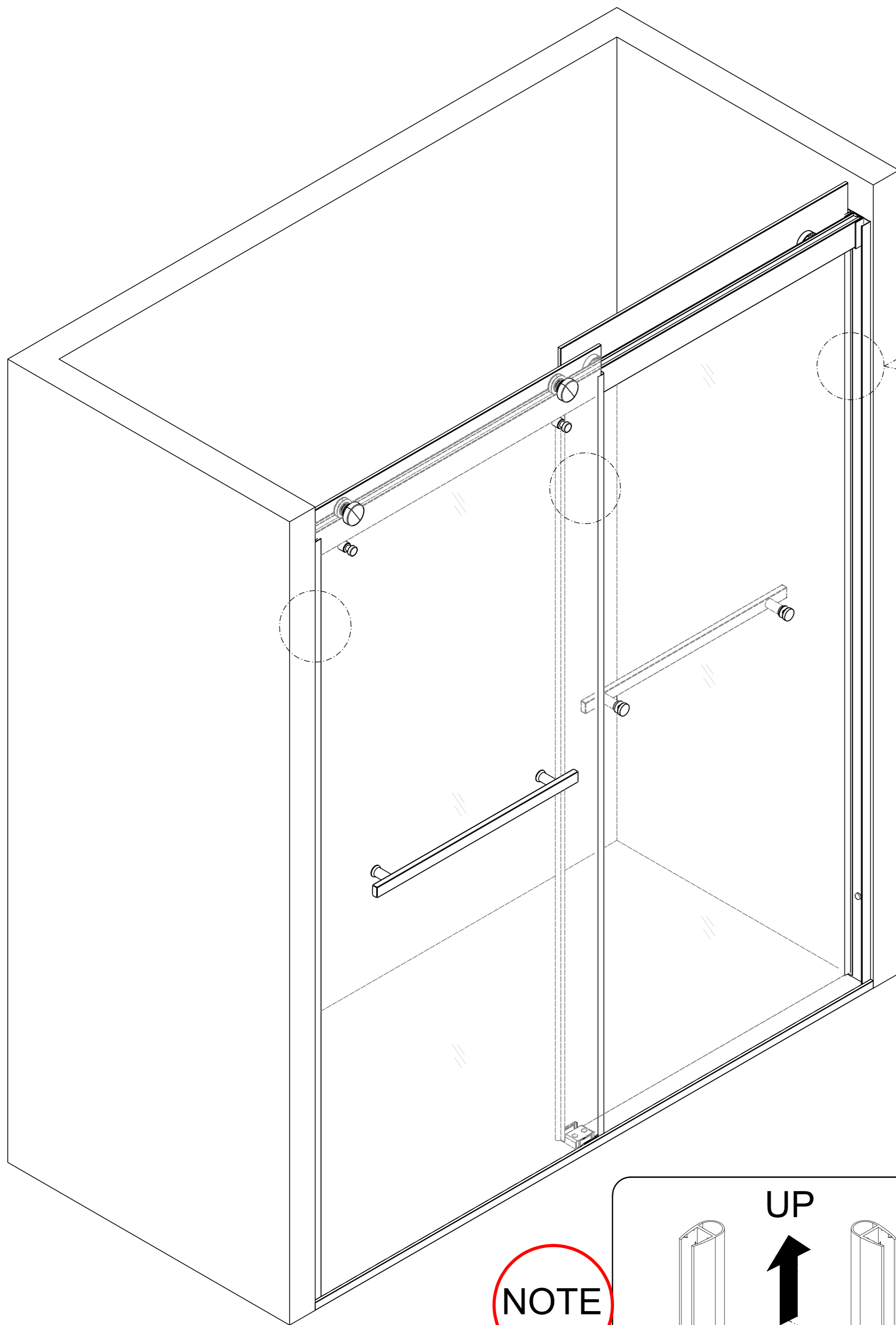


9

Attach the F shape seal to Door panel

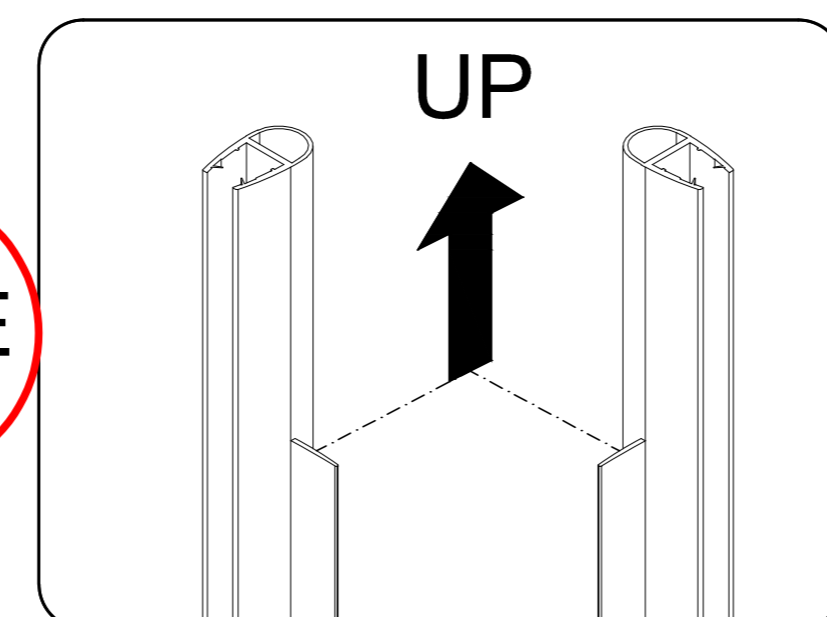
NOTE

2 pieces on the each door.



NOTE

UP



Attach the F shape seal to Door panel , The cropped end faces up

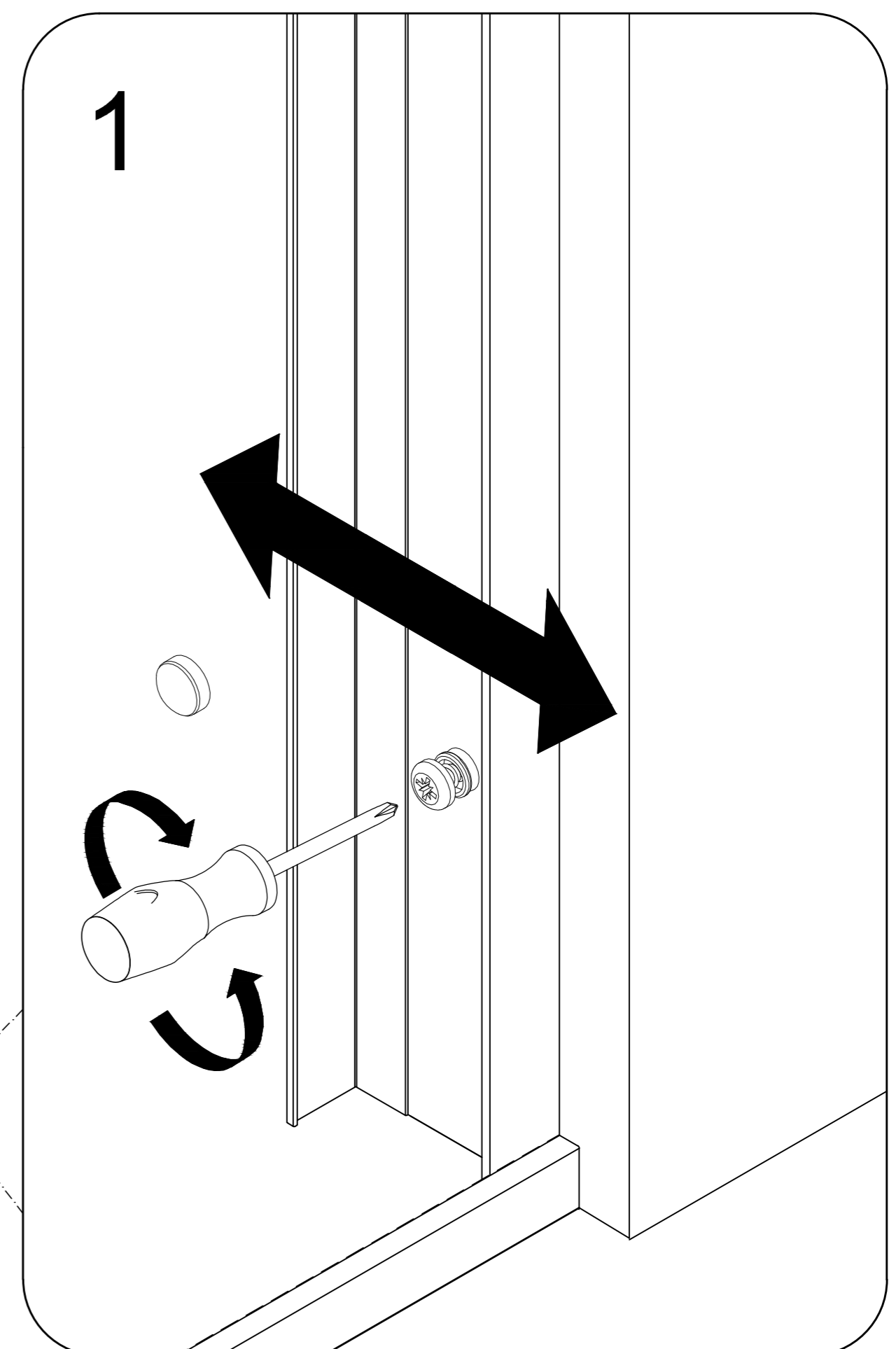
10

Check the door panel switch

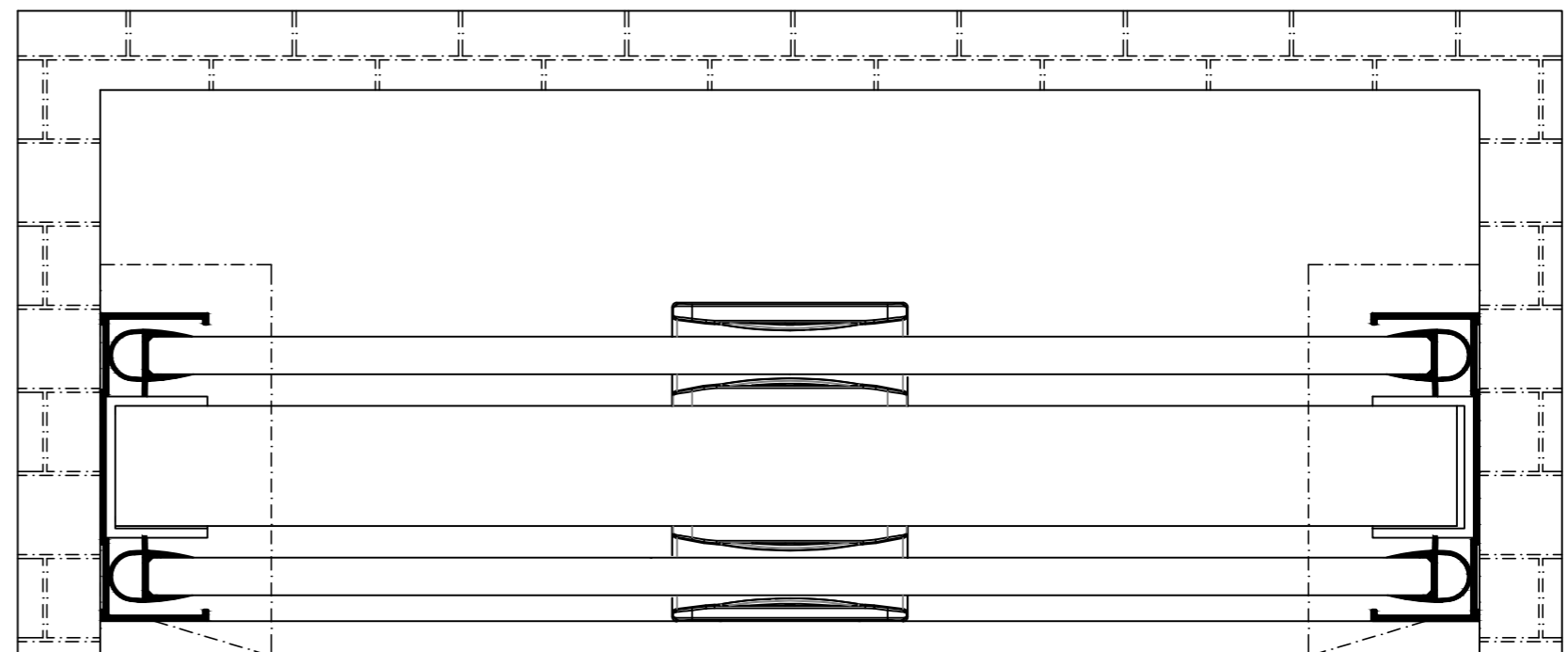


Unscrew the screws and adjust the wall jamb inside and out .

1



2



NOTE Ensure that the door panel goes inside the Wall Jamb.

11

SEALING

NOTE

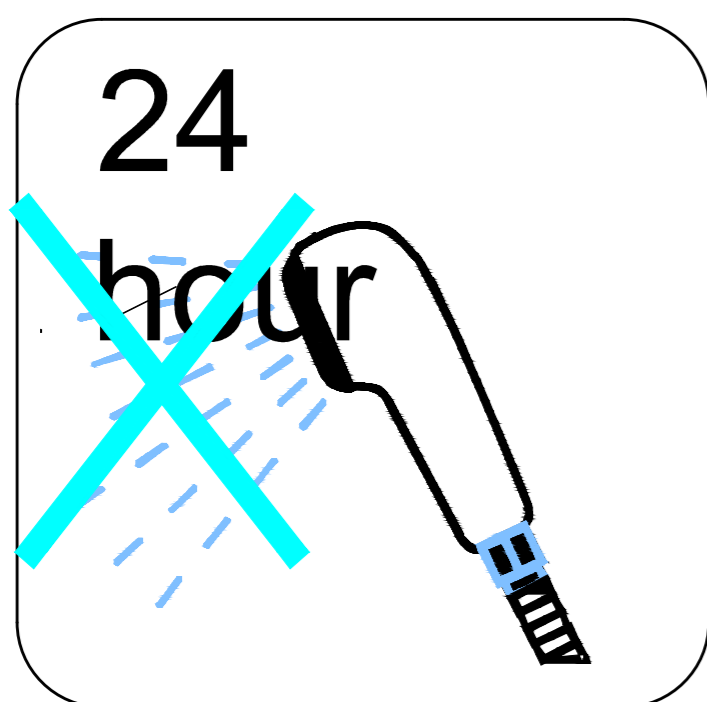
The surfaces need to be clean and free of debris before applying silicone.

NOTE

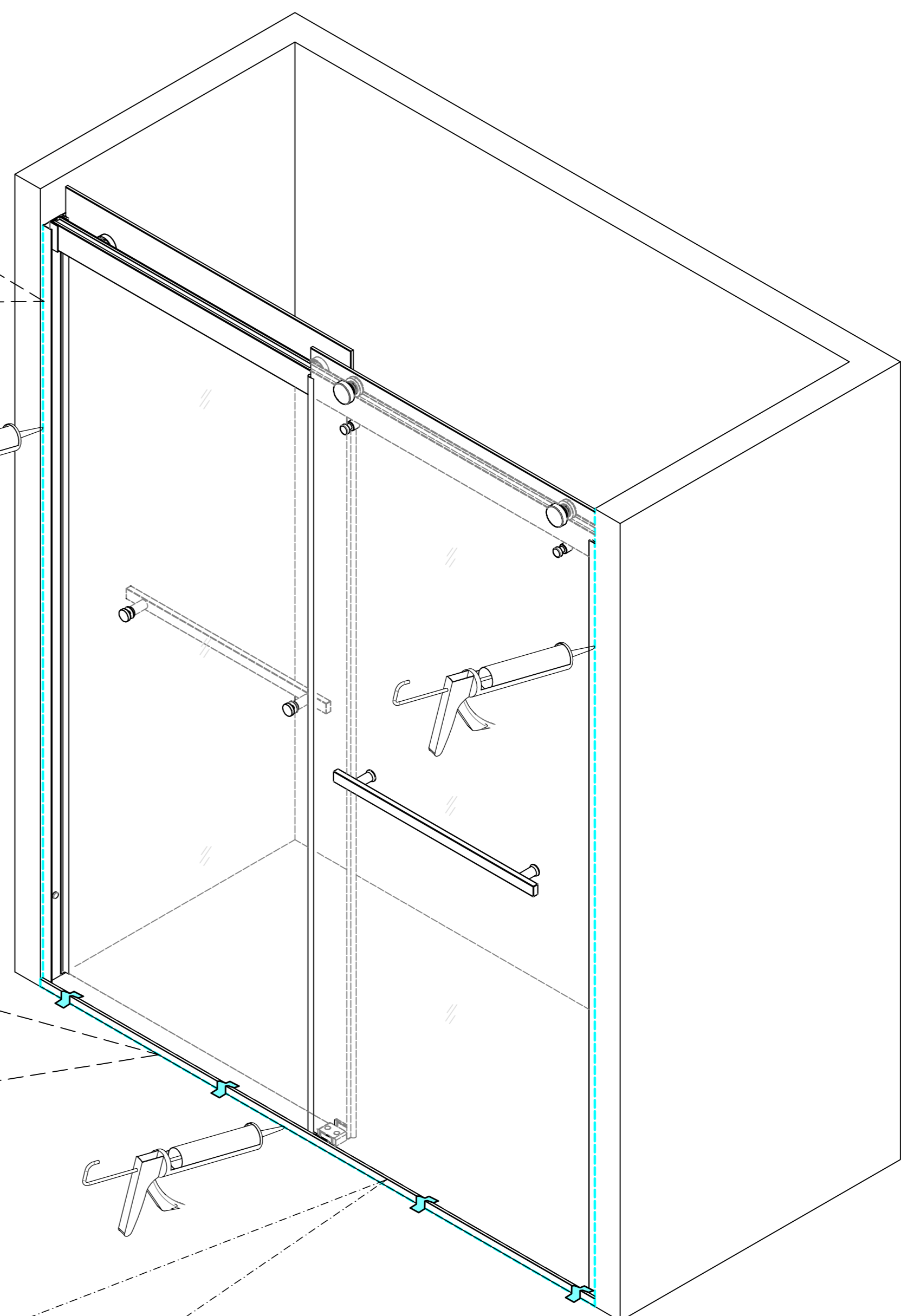
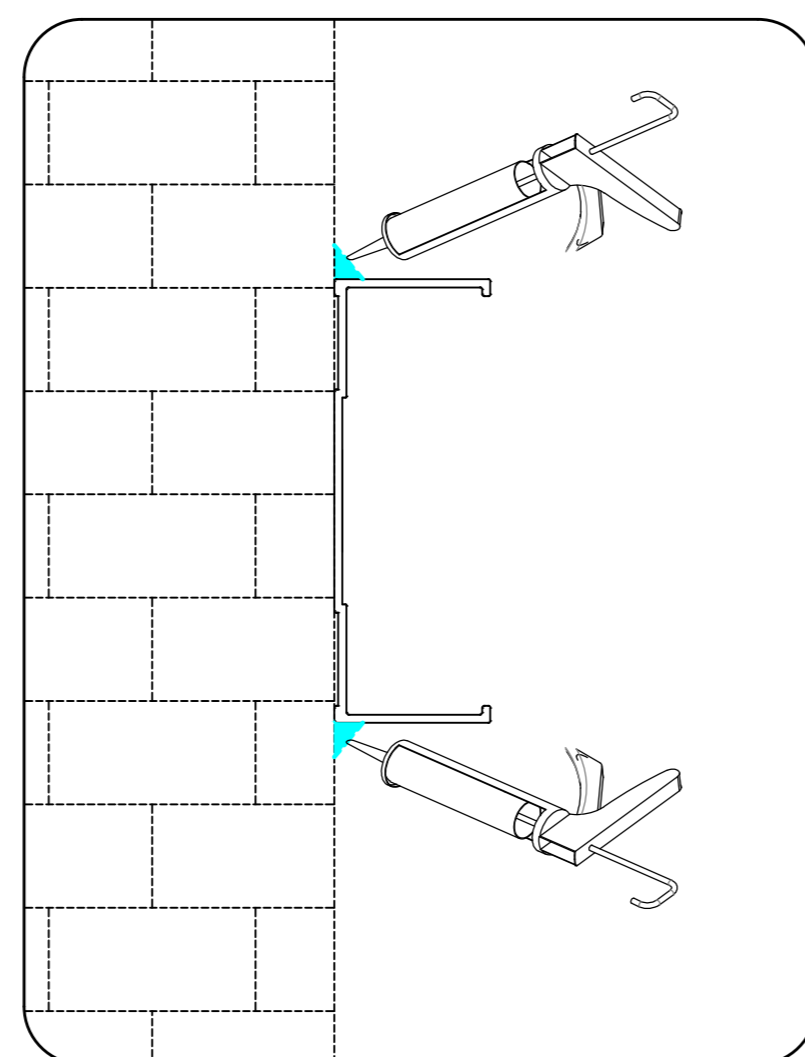
Ensure that the Shower door closes tightly and opens smoothly.
Apply a good quality silicone sealant along the wall Jamb(C) and Bottom Rail (A) .



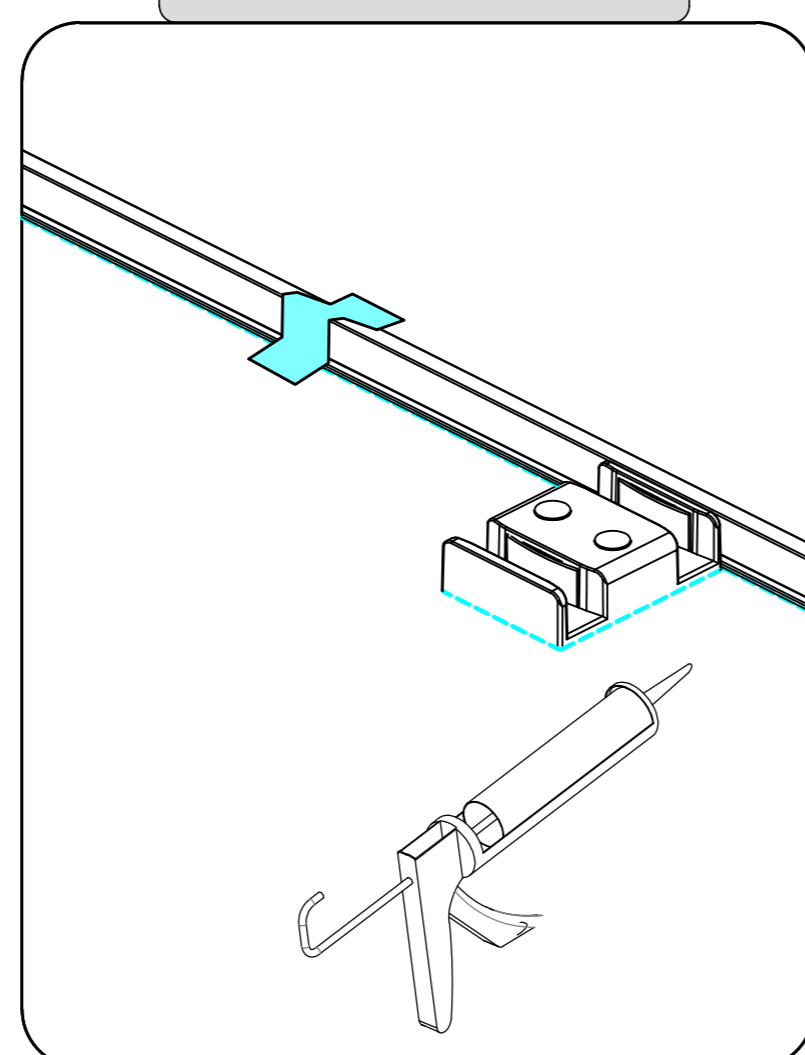
Allow 24 hours for the silicone to cure before using the shower.



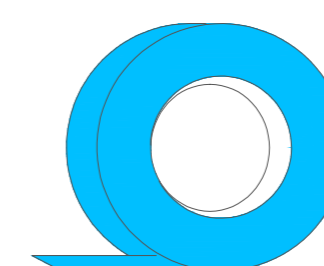
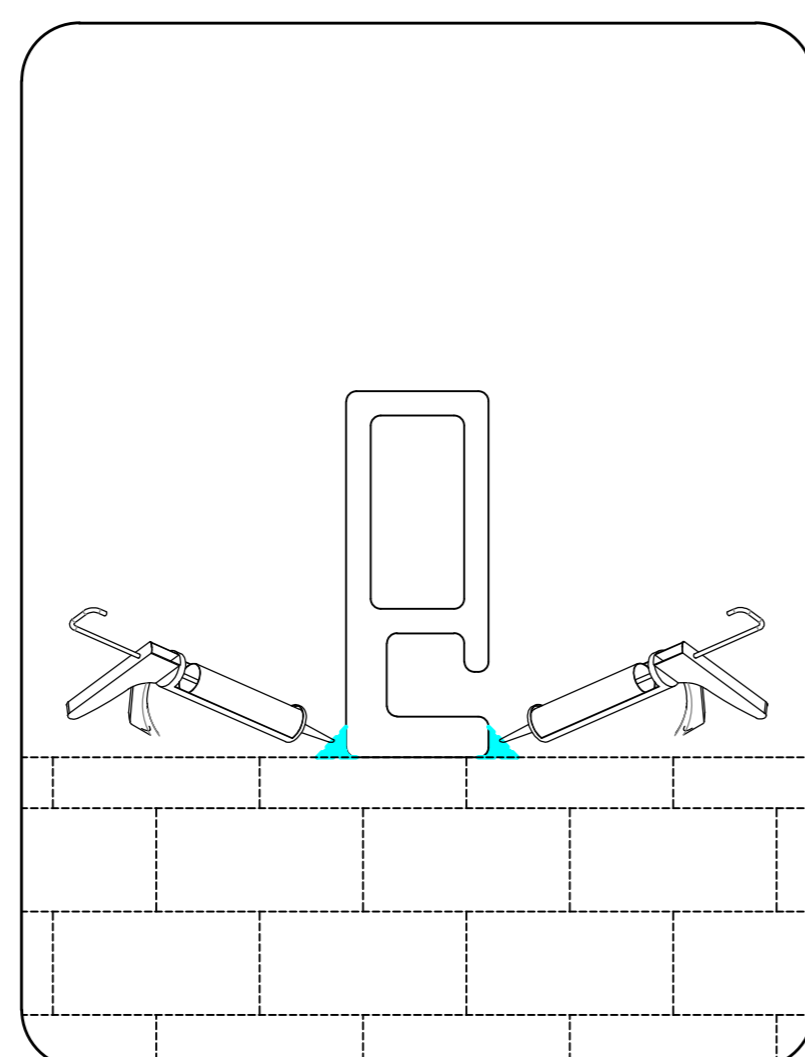
! Apply Silicone Sealant, (not supplied).



Inside View



Apply silicone around the bottom rail.



Use Painter's Tape to hold the Water seal tight in position while the silicone cures.