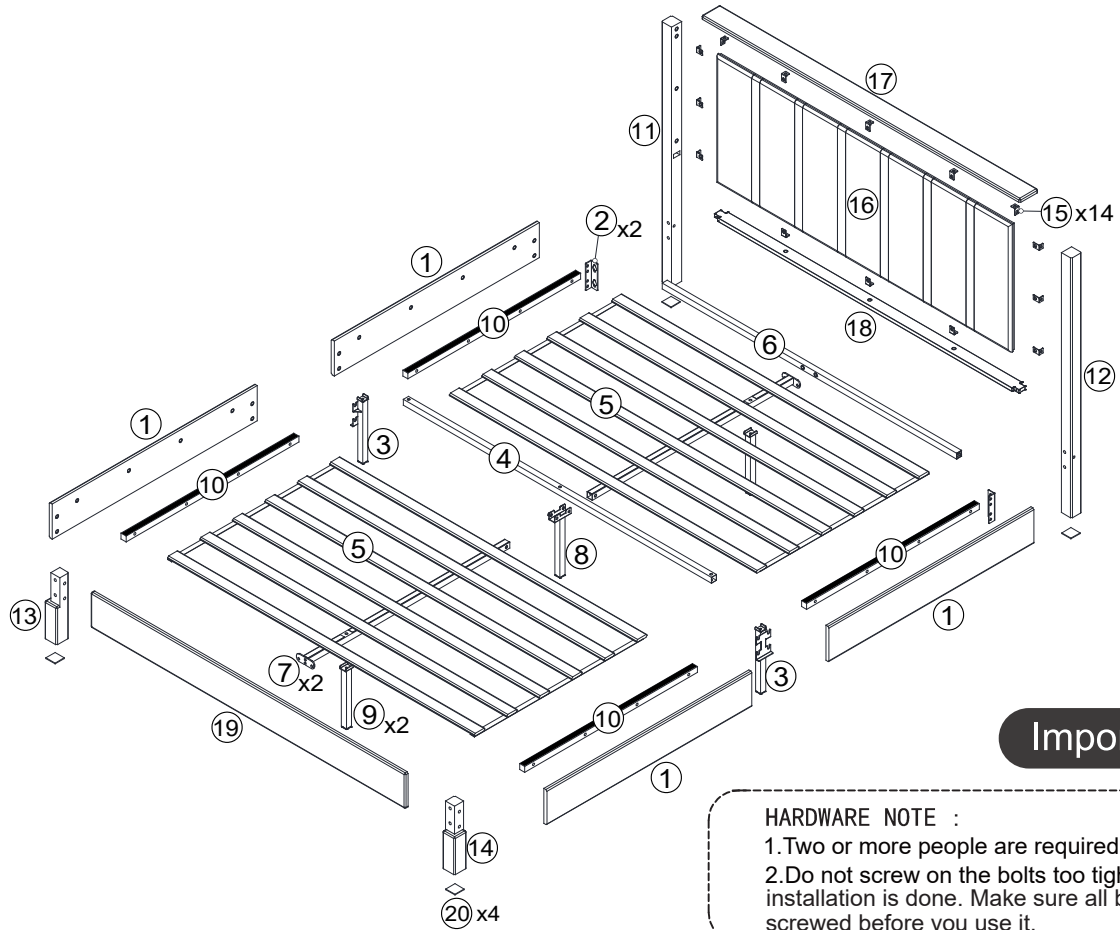


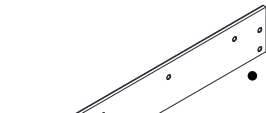
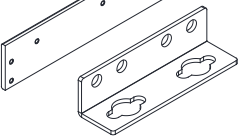
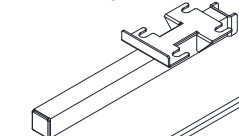
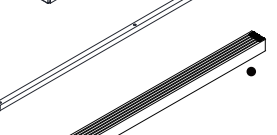
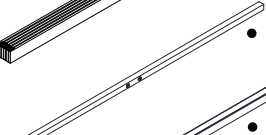
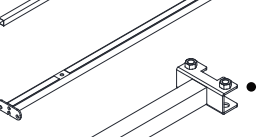
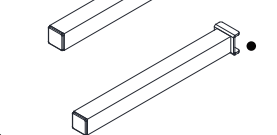
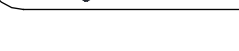
Assembly Instruction

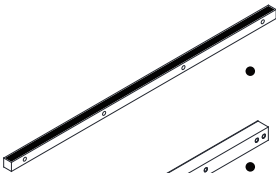
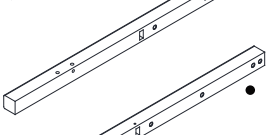
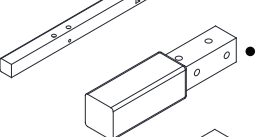
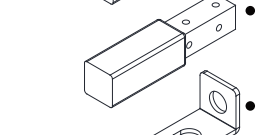
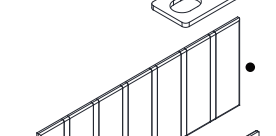
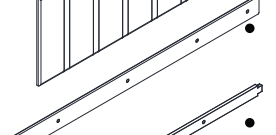
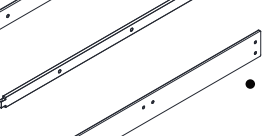
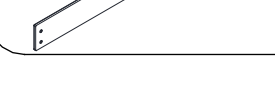


Important Note

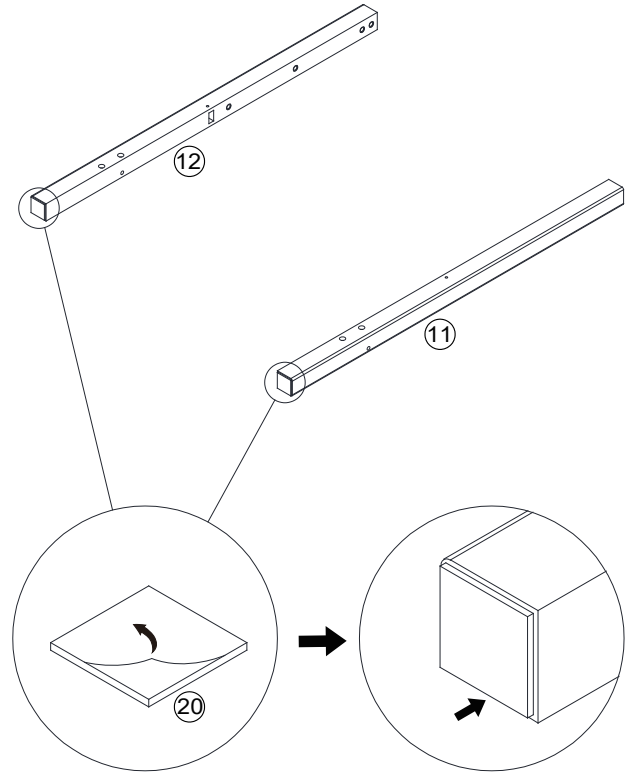
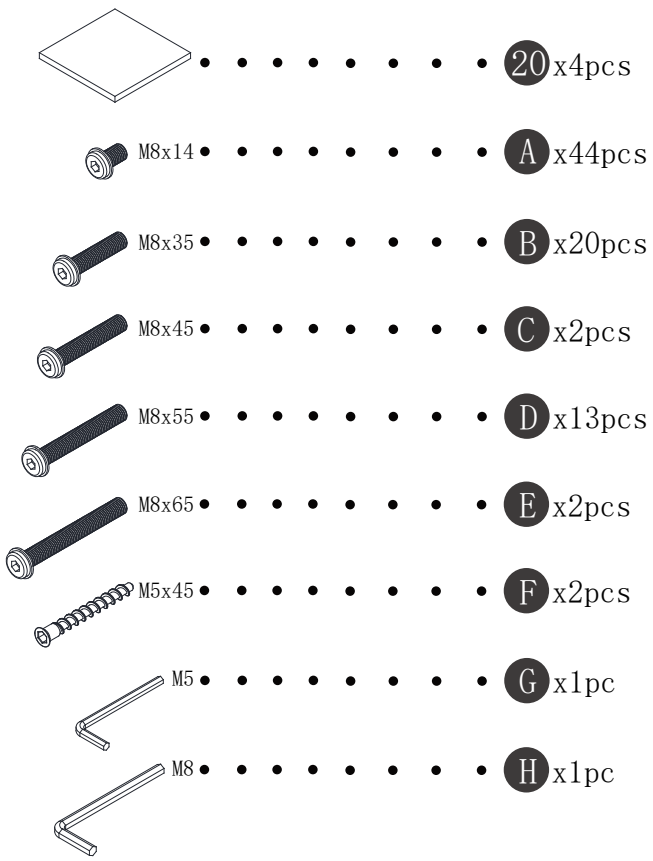
HARDWARE NOTE :
 1. Two or more people are required for assembly
 2. Do not screw on the bolts too tight unless the installation is done. Make sure all bolts are tightly screwed before you use it.

Components

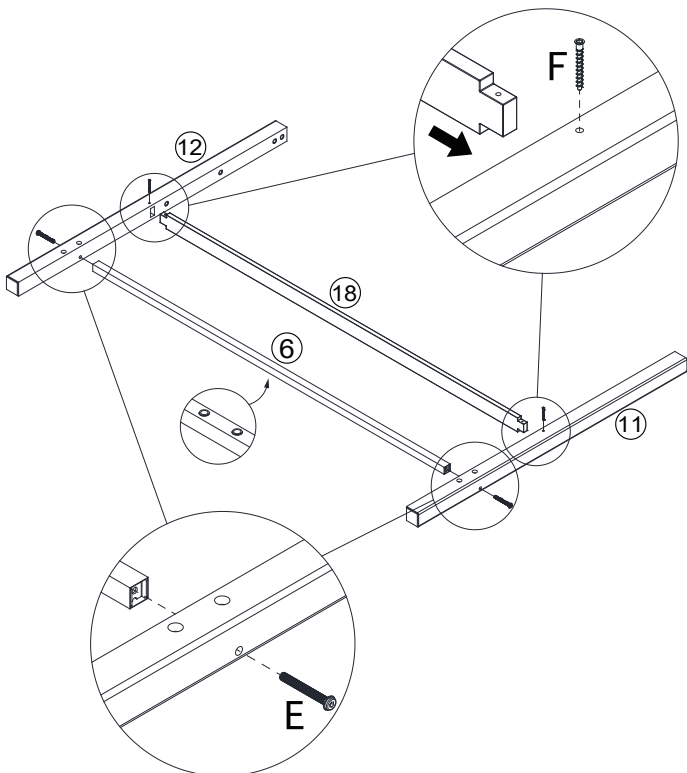
-  1 x4pcs
-  2 x2pcs
-  3 x2pcs
-  4 x1pc
-  5 x2pcs
-  6 x1pc
-  7 x2pcs
-  8 x1pc
- 9 x2pcs

-  10 x4pcs
-  11 x1pc
-  12 x1pc
-  13 x1pc
-  14 x1pc
-  15 x14pcs
-  16 x1pc
-  17 x1pc
- 18 x1pc
- 19 x1pc

1

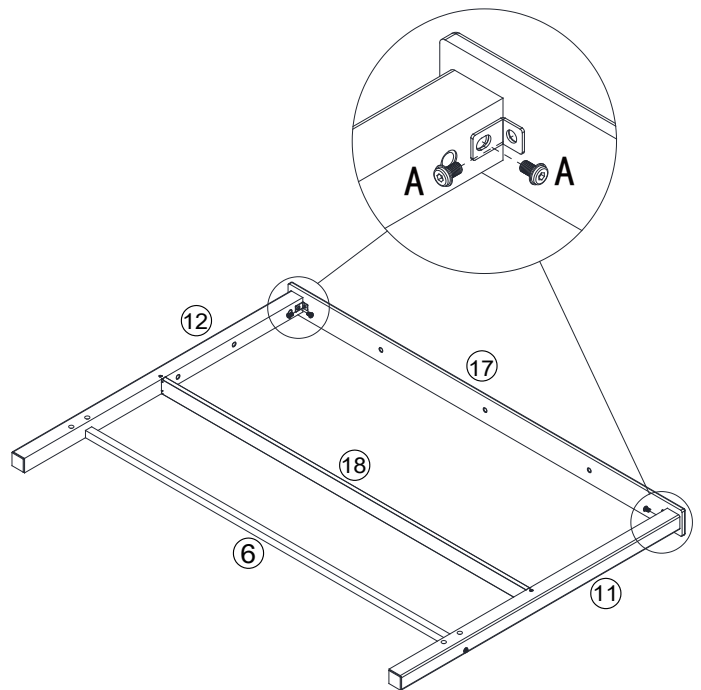


2



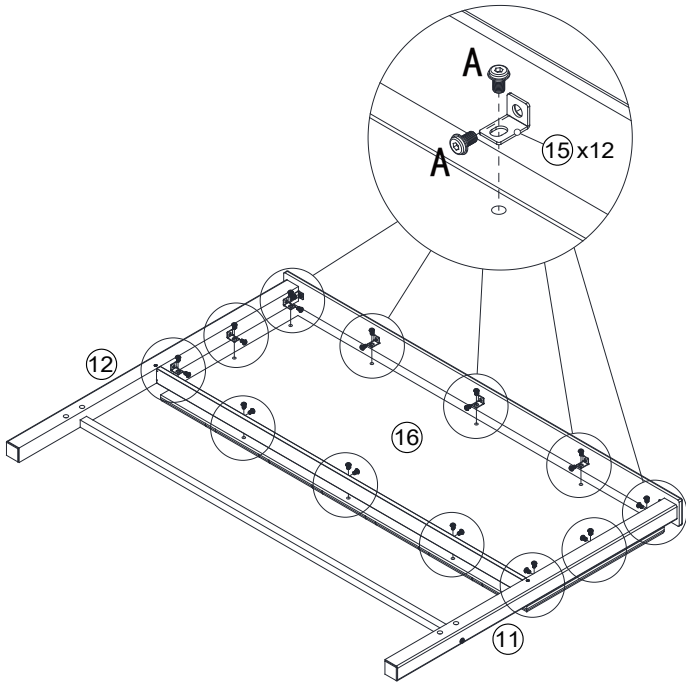
E		2pcs
F		2pcs

3



A		4pcs
---	--	------

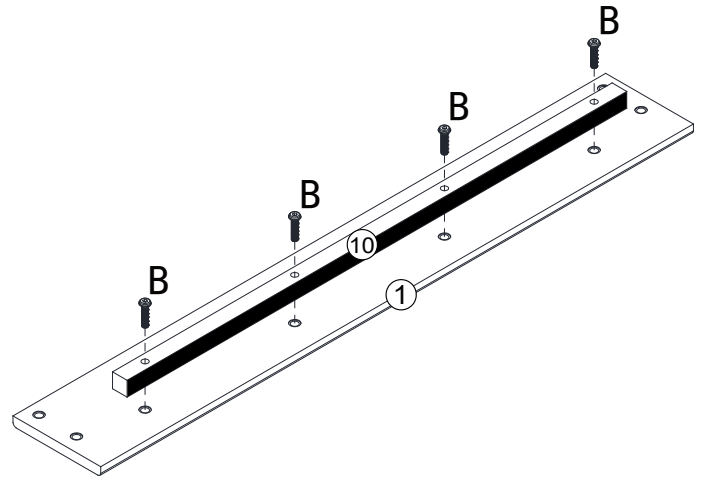
4



A		24pcs
M8x14		

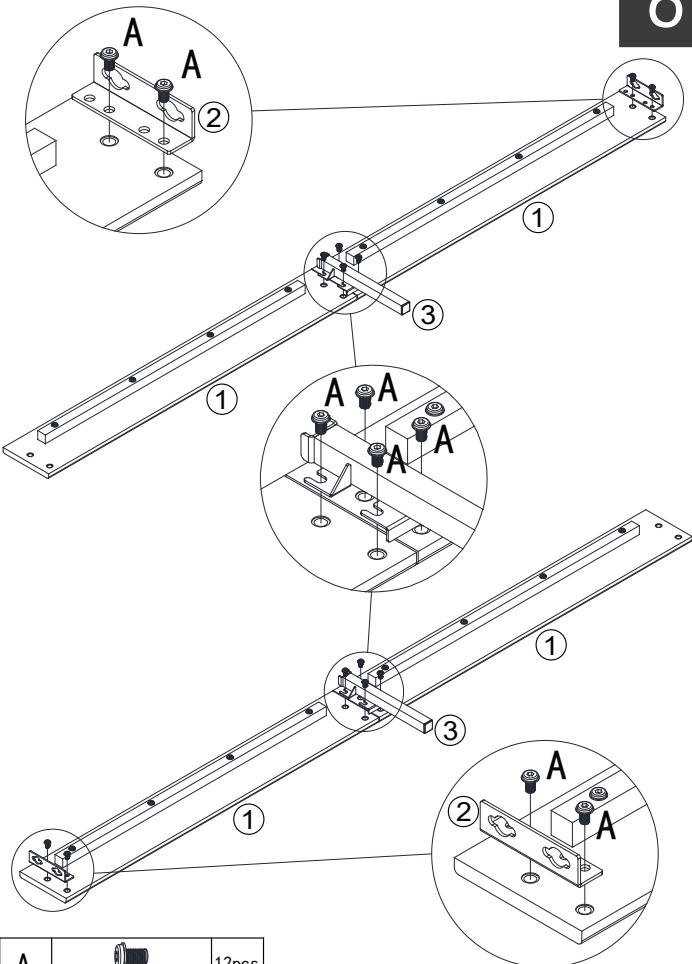
5

x4



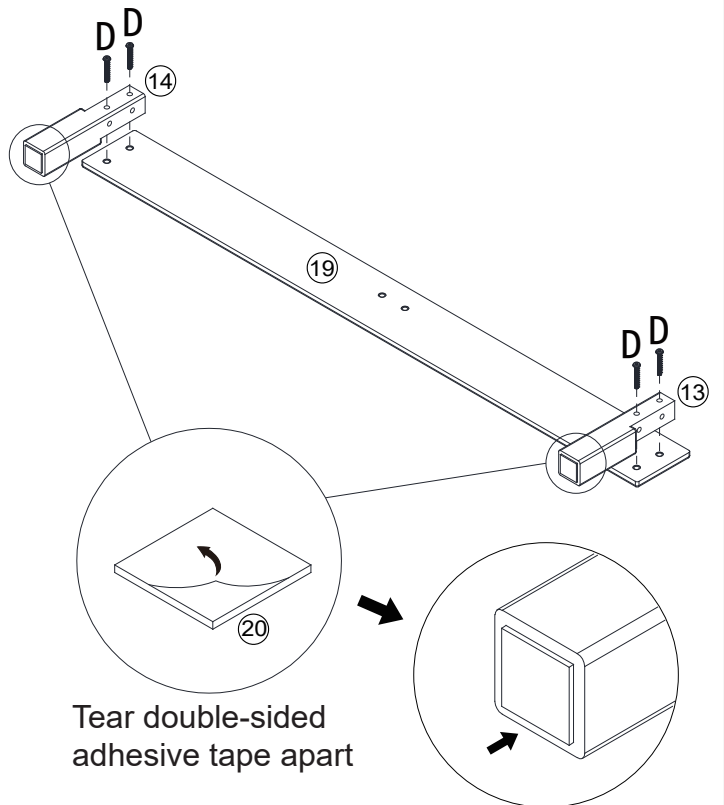
B		16pcs
M8x35		


6



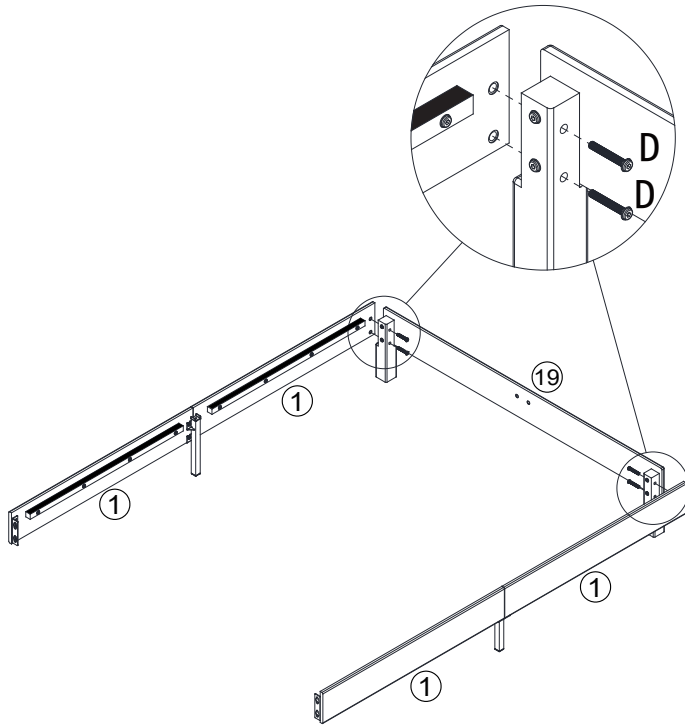
A		12pcs
M8x14		

7



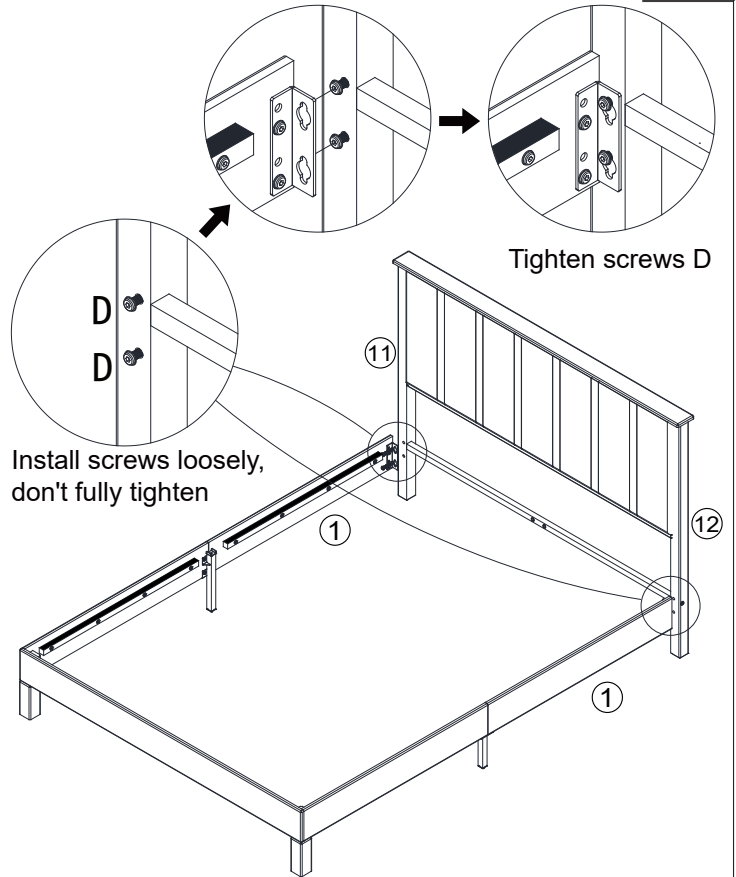
D		4pcs
M8x55		

8



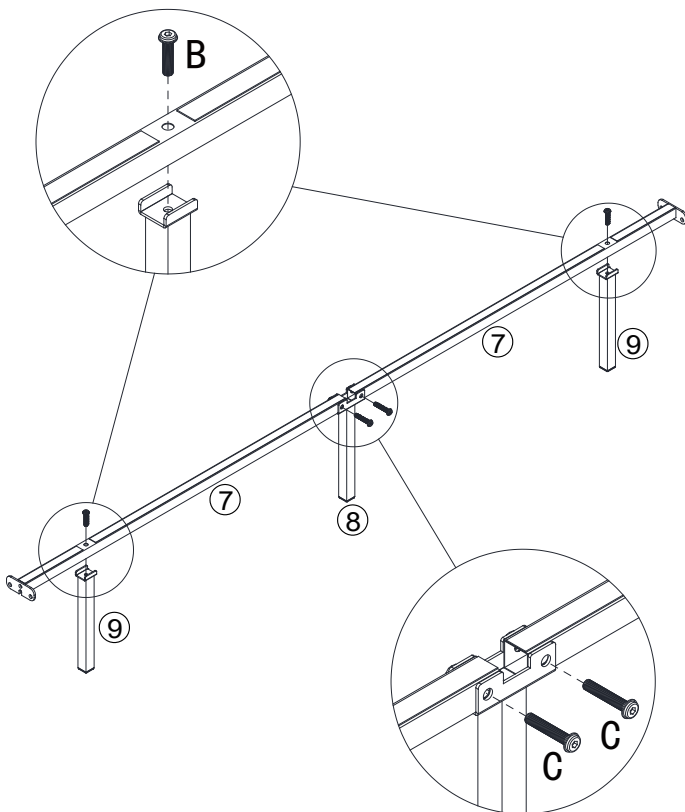
D		4pcs
	M8x55	



9



D		4pcs
	M8x55	

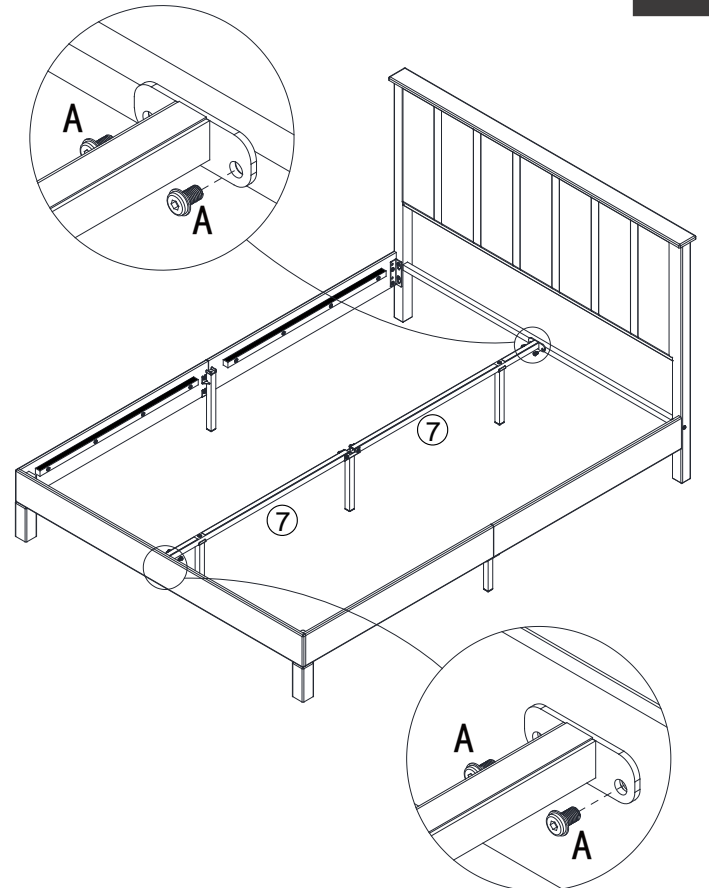
10



B		2pcs
	M8x35	
C		2pcs
	M8x45	

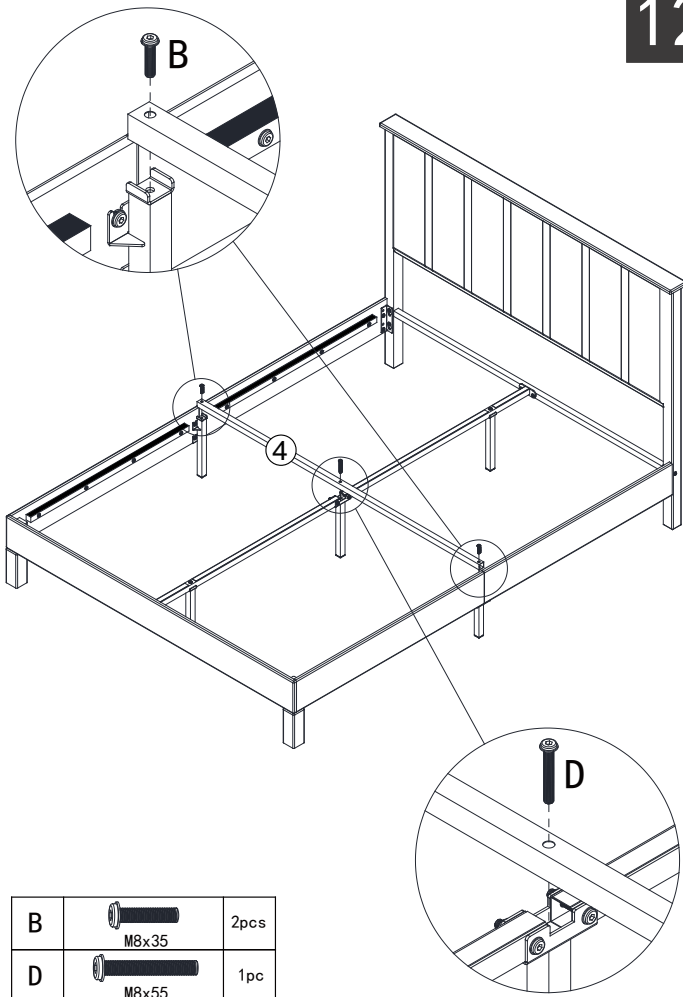
11



Assemble second



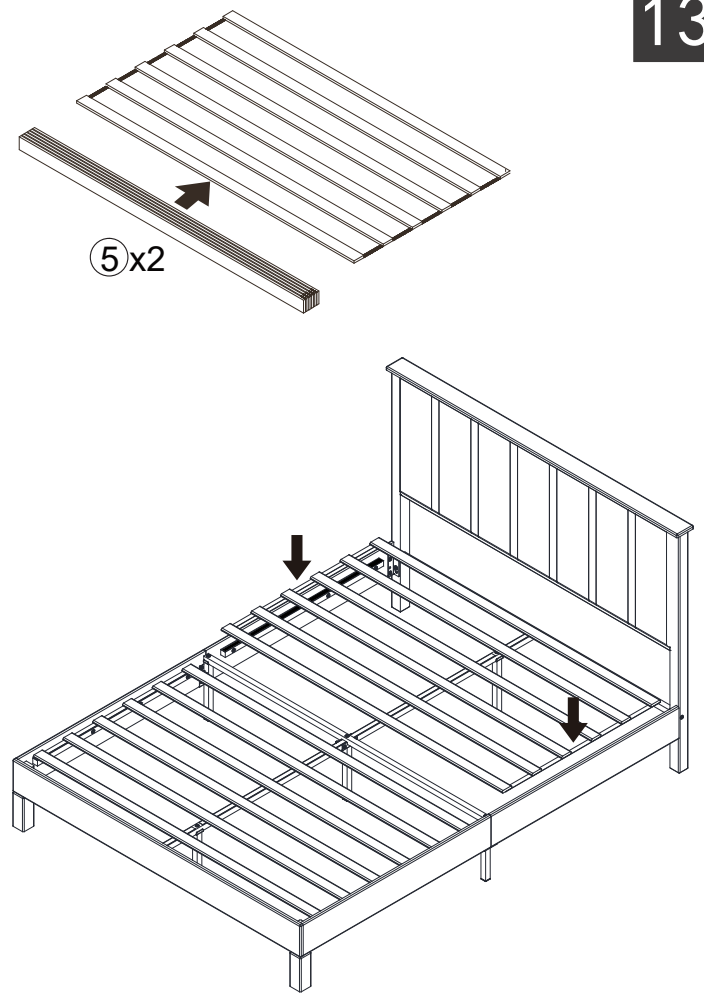
A		4pcs
	M8x14	

12



B	 M8x35	2pcs
D	 M8x55	1pc

13



Finish

14



Note: Now you can tighten all the bolts.