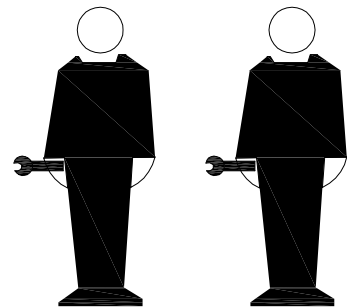
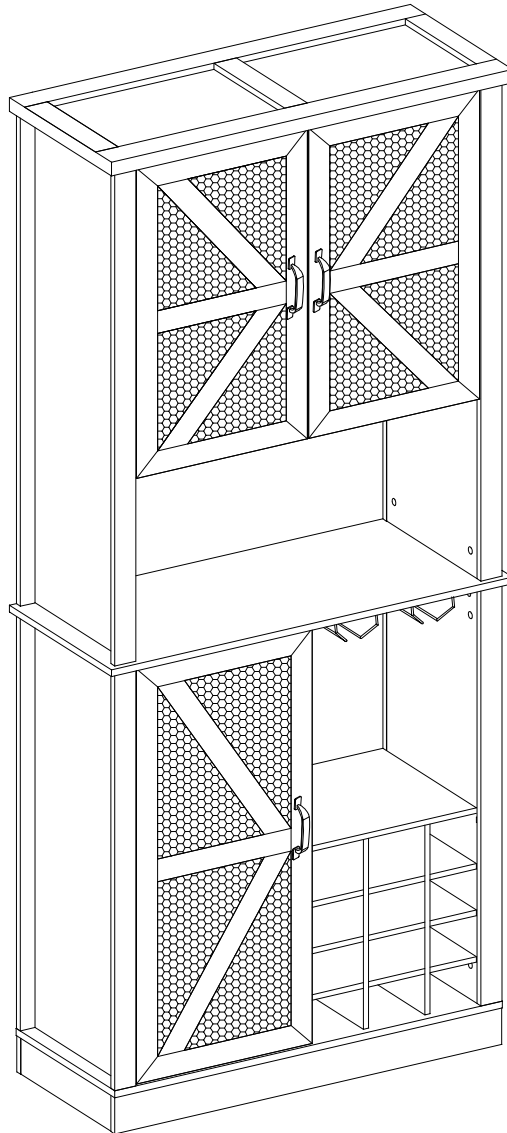


# ASSEMBLY INSTRUCTION

## MODEL#WF008

Thank you for purchasing the quality product. Be sure to check all packing material carefully for small parts which may have come loose inside the carton during shipment. Separate, identify and count all parts and metal hardware. Compare with all parts list to be sure all parts are present. If any part(s) are missing or damaged, please contact your local furniture dealer. For efficient and speedy service, please indicate the model number and code letter of part(s) needed.

**\*\*\*Do not fully tighten screws until fully assembled\*\*\***

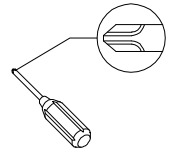


### **Attention:**

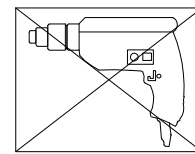
**\*\*\*Some number parts listed on the instruction sheet may not be in parts bag as they may already be assembled. Carefully check parts and packing materials prior to ordering replacements.**

# General Assembly Guidelines

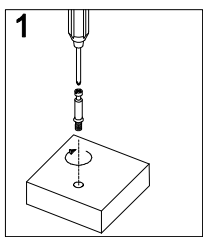
- I. Ensure that all parts and hardware are available before beginning assembly.
- II. Follow each step carefully to ensure the proper assembly of this product.
- III. Two people are recommended for ease in the assembly of this product.
- IV. The three main types of hardware used to assemble this product are: wood dowels, screws and bolts.
- V. A Phillips head screwdriver is required for the assembly of this product.



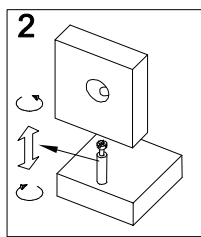
- VI. Power tools should not be used to assemble this product.



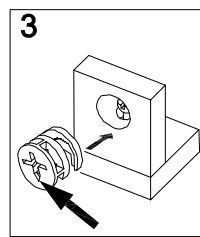
## VII. Cam bolt and Cam lock Assembly instruction.



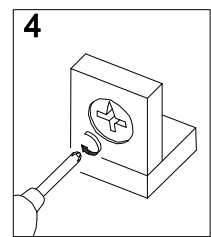
1  
Cam bolt vertical installation.



2  
Cam bolt is adjustable

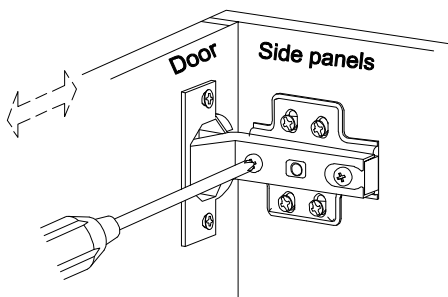


3  
Cam lock the arrow is towards the Cam bolt

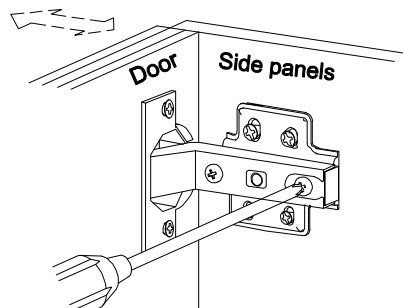


4  
180° Ensure locking

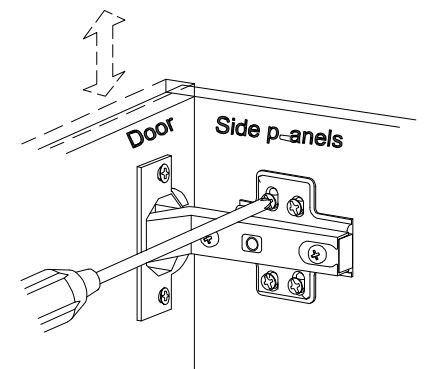
## VIII. Concealed hinges are three-way adjustable.



Horizontal by screw adjustment

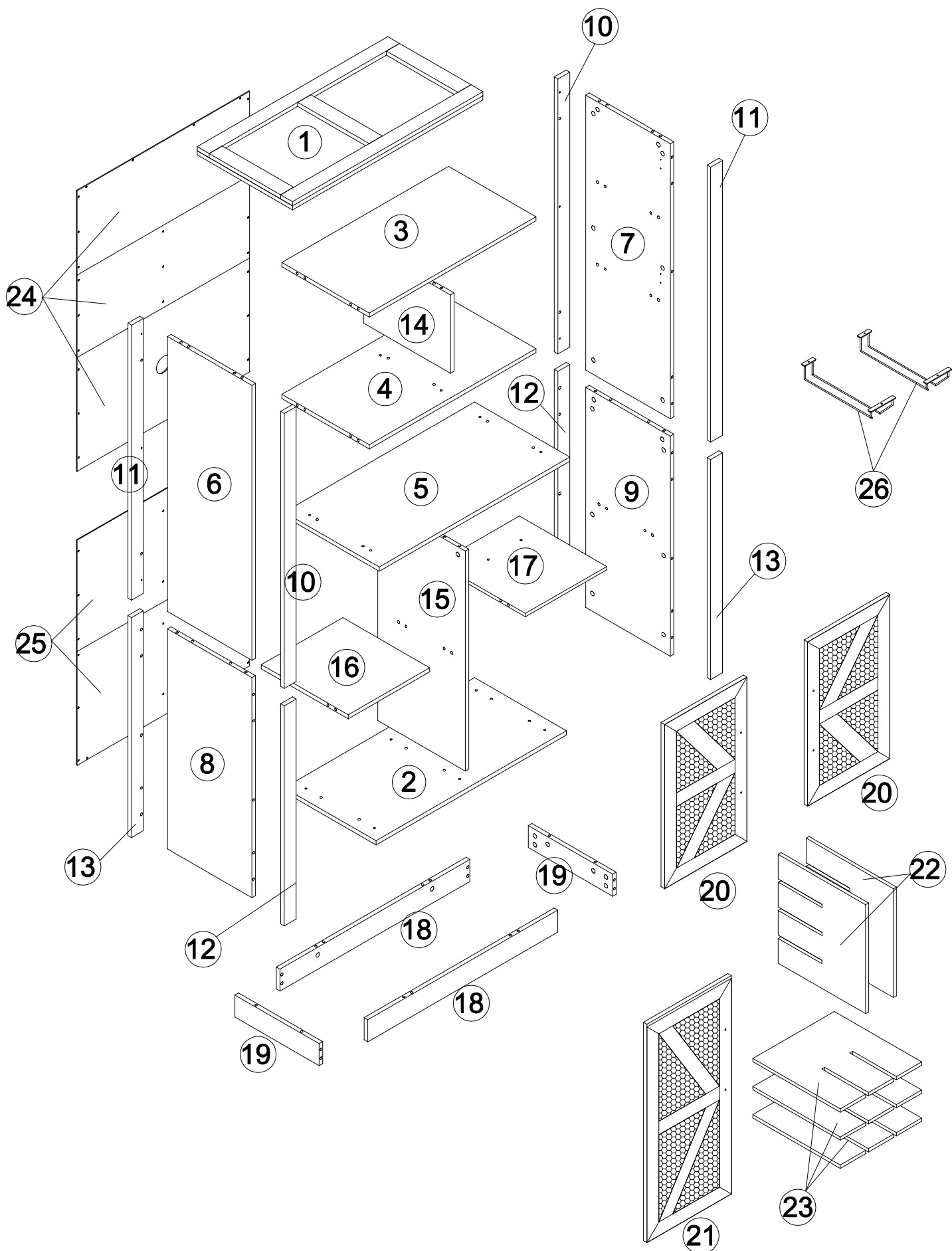


In-and-Out by loosening the hinge-arm mounting screw or via cam adjustment


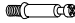








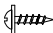

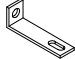
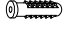
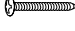





Vertical Via slots in the mounting plate or via cam adjustment

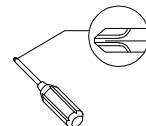
# COMPONENT PARTS



# Hardware List

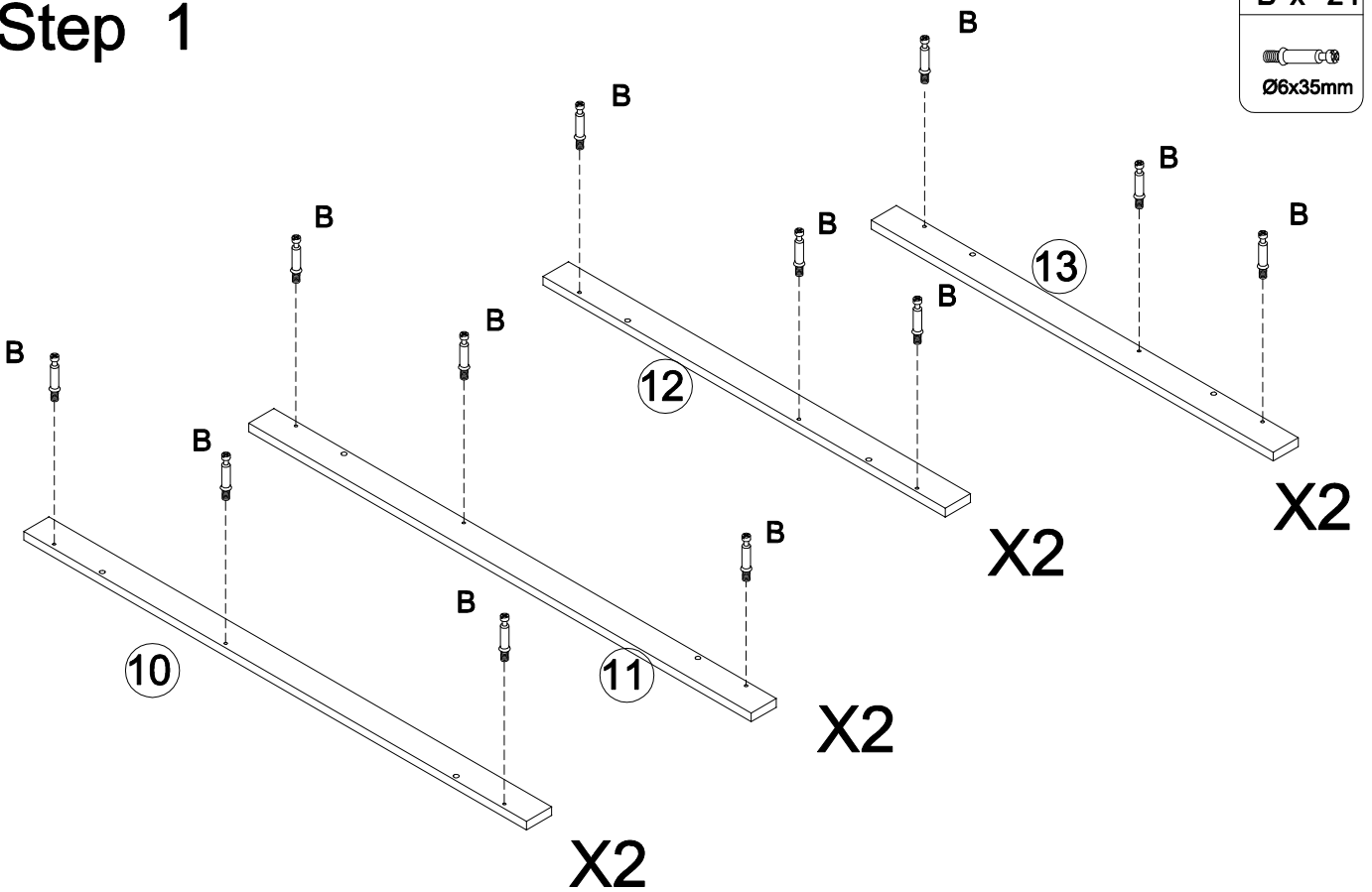
A		Ø6x30mm	Wooden dowel	60 pcs
B		Ø6x35mm	Cam bolt	68 pcs
C		Ø15x9.5mm	Cam lock	68 pcs
D		Ø5x40mm	Screw	12 pcs
E			Handle	3 pcs
F		Ø4x20mm	Screw	6 pcs
G			Hinge	6 pcs
H		Ø3.5x12mm	Screw	36 pcs
I				70 pcs
J		Ø3.5x25mm	Bolt	2 pcs
K		Ø3.5x12mm	Screw	41 pcs
L		M4x10	Bolt	4 pcs
M				1 pcs
N			Wall anchor	1 pcs
O		Ø4*30mm	Screw	1 pcs
P		Ø6mm	Washer	1 pcs
Q		4mm	Allen Key	1 pcs
R		Ø1/4"x12mm	Bolt	1 pcs

Philips head screwdriver required for assembly  
(not included)

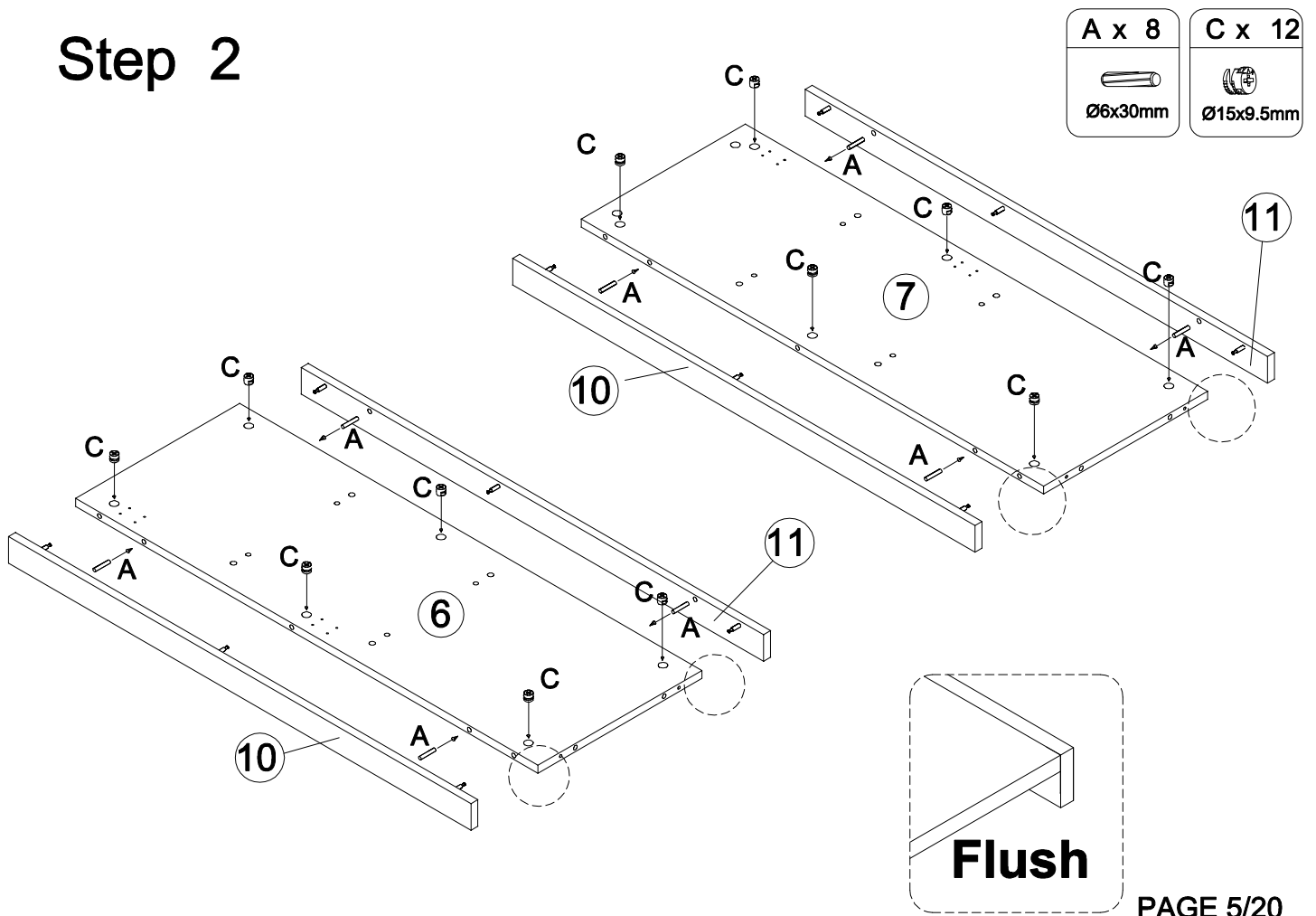


*The hardware quantities listed above are required for proper assembly.  
Some extra hardware may also have been included.*



# Step 1

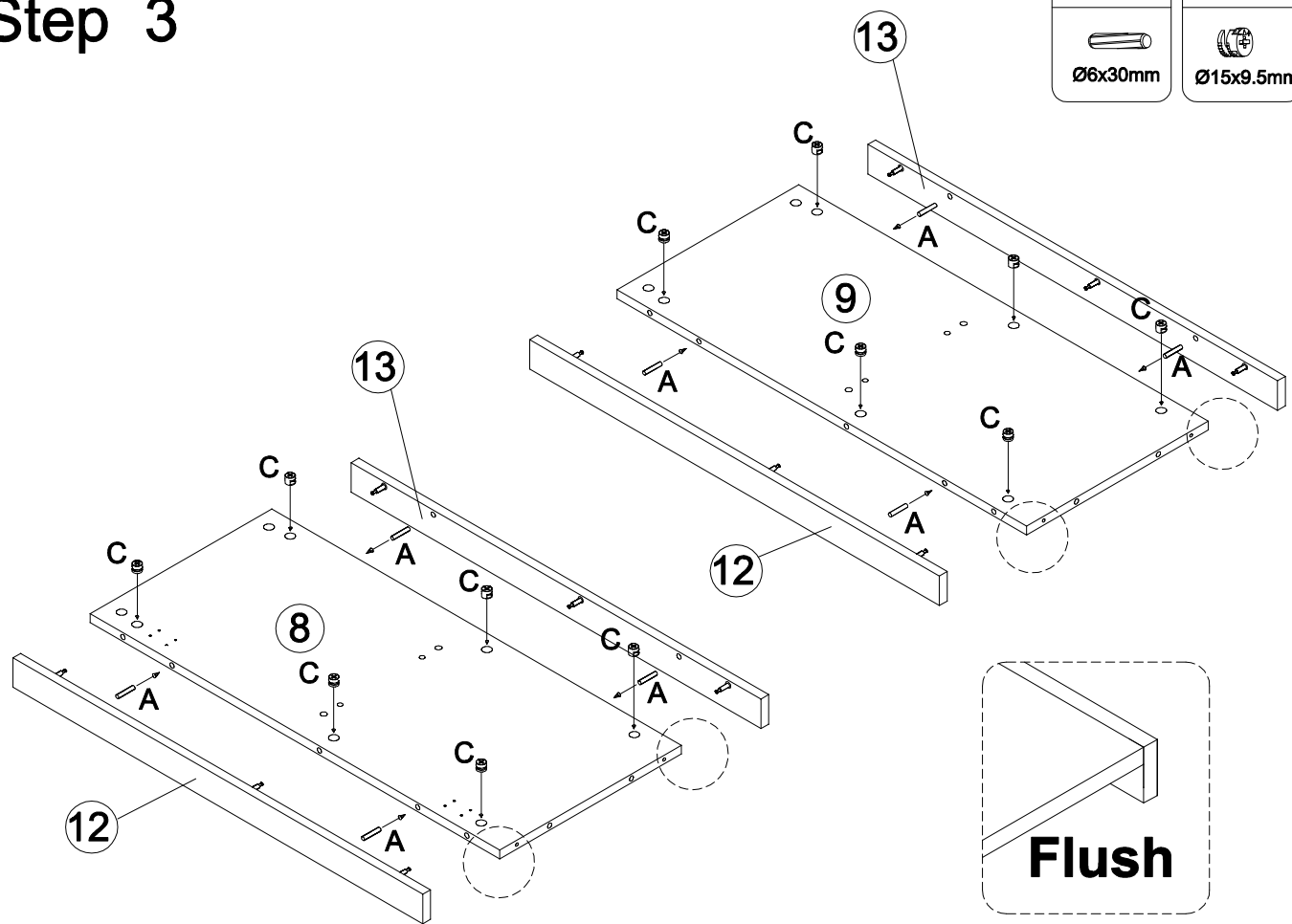


# Step 2







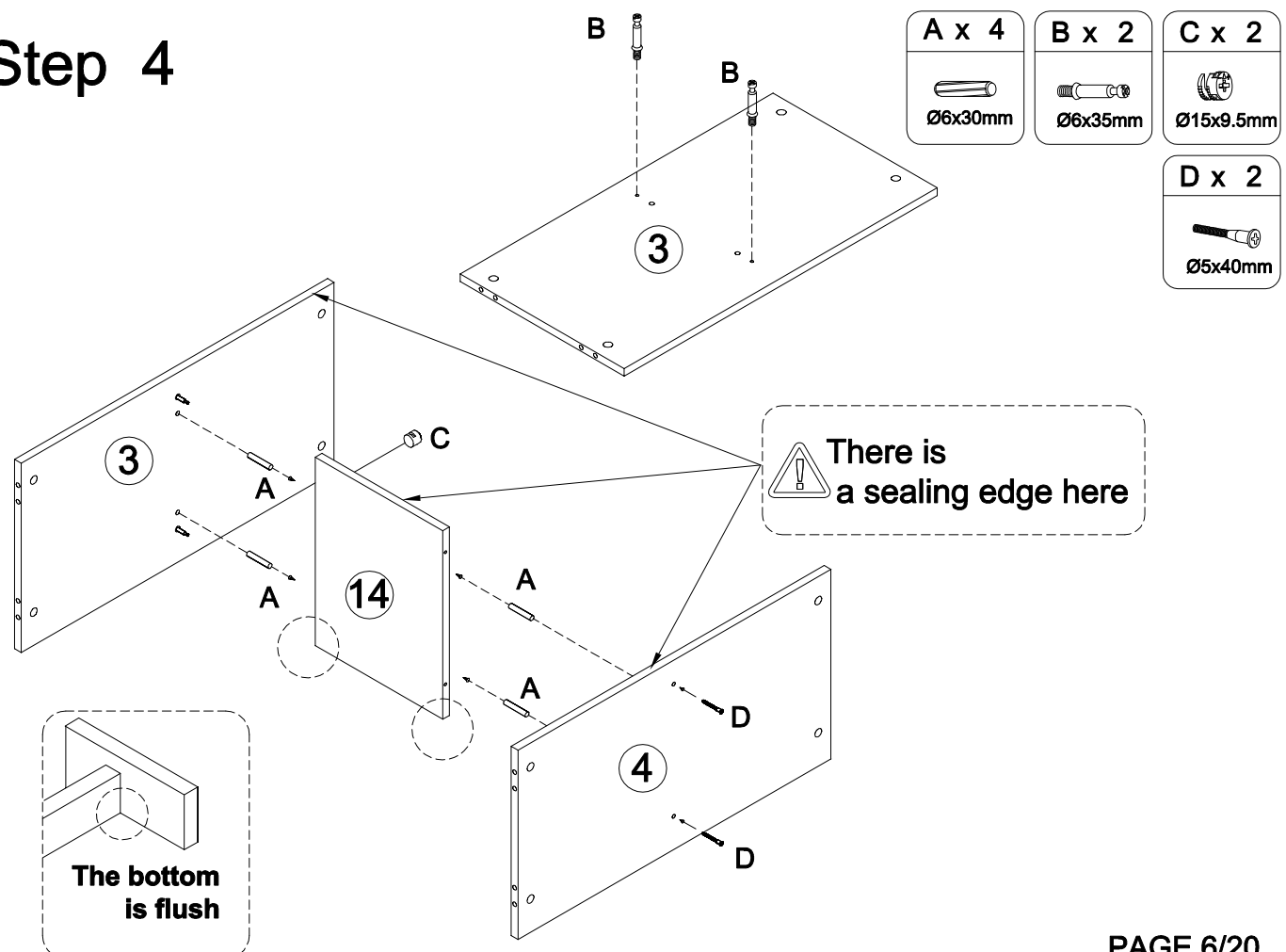
# Step 3

A x 8  Ø6x30mm	C x 12  Ø15x9.5mm
---	--



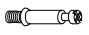
# Step 4

A x 4  Ø6x30mm	B x 2  Ø6x35mm	C x 2  Ø15x9.5mm
D x 2  Ø5x40mm		

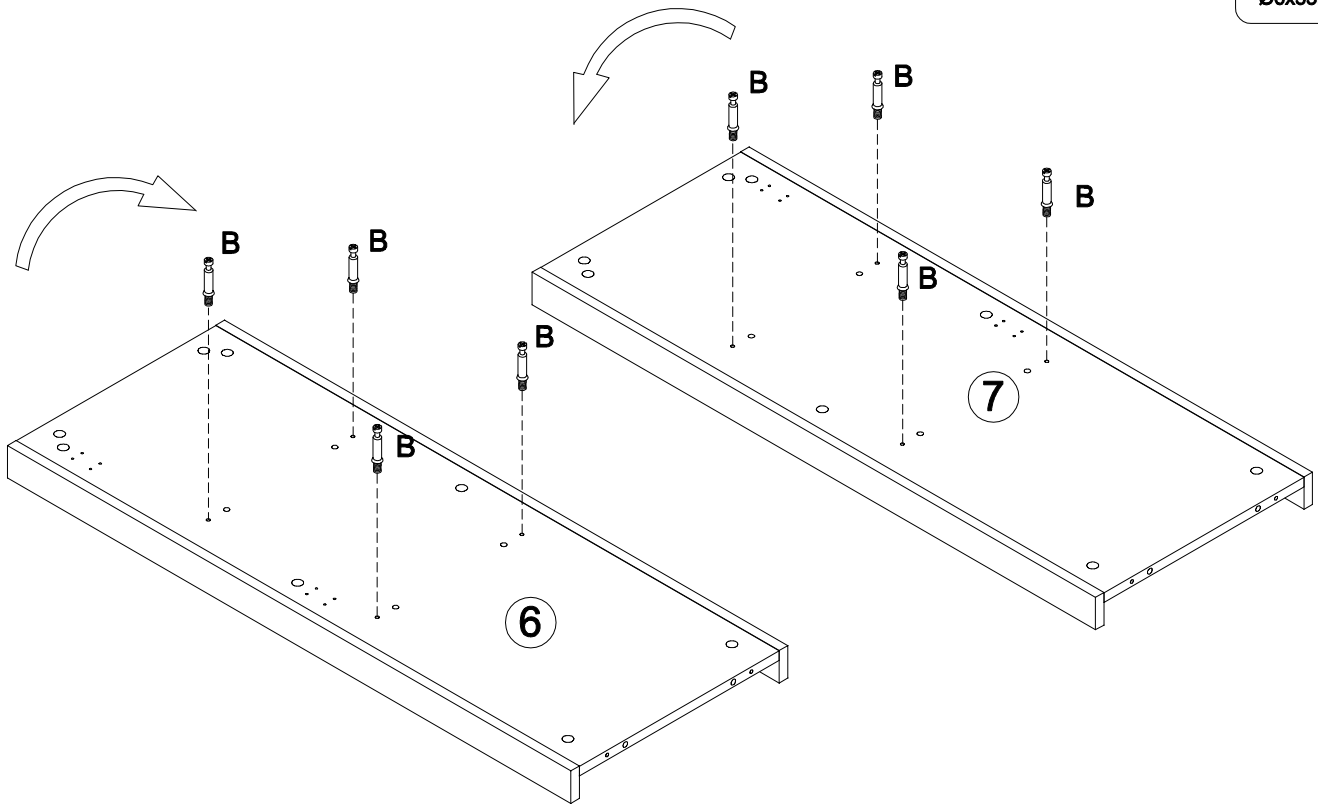


# Step 5



**B x 8**

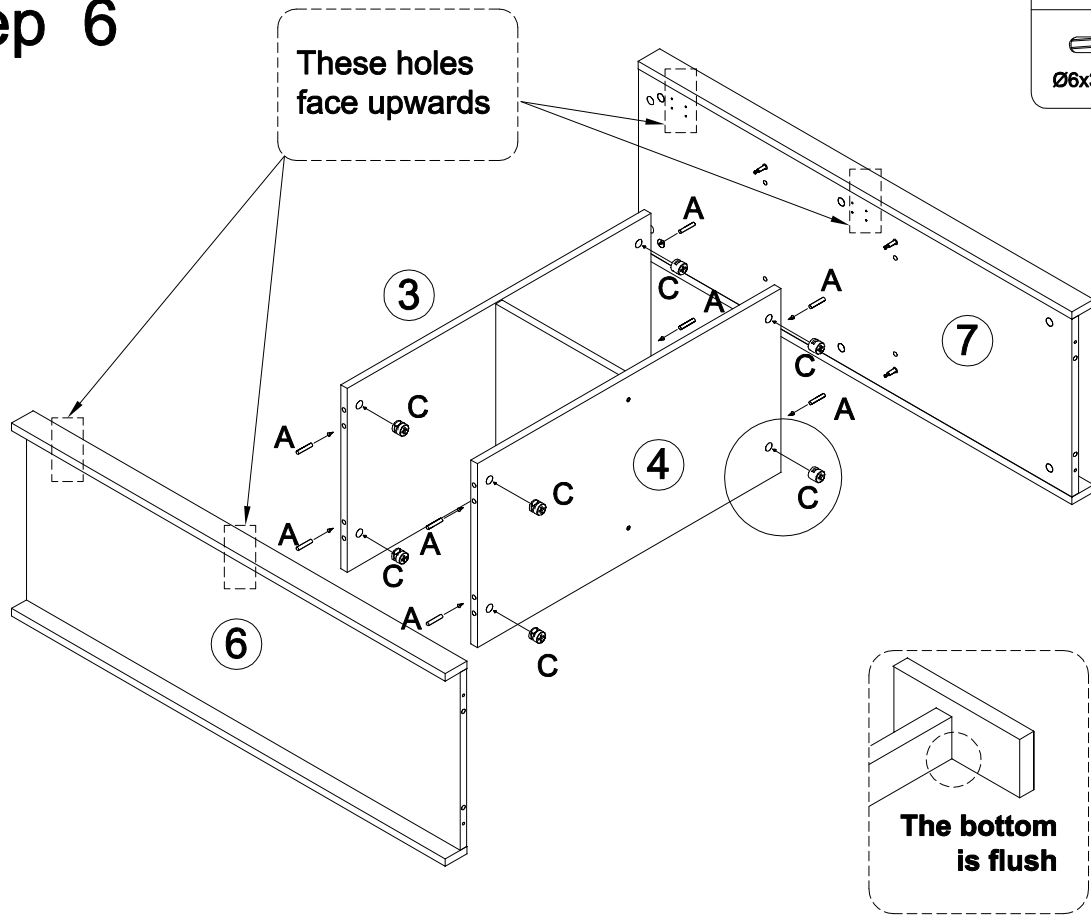


**Ø6x35mm**



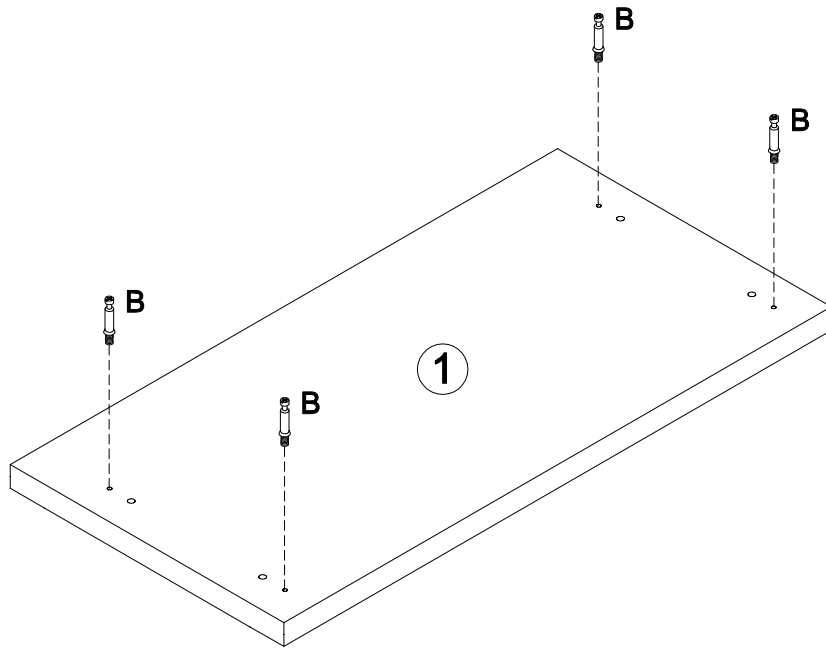
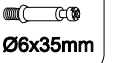
# Step 6

<b>A x 8</b>	<b>C x 8</b>
	
<b>Ø6x30mm</b>	<b>Ø15x9.5mm</b>



# Step 7

B x 4

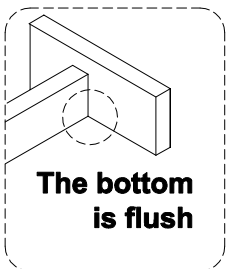
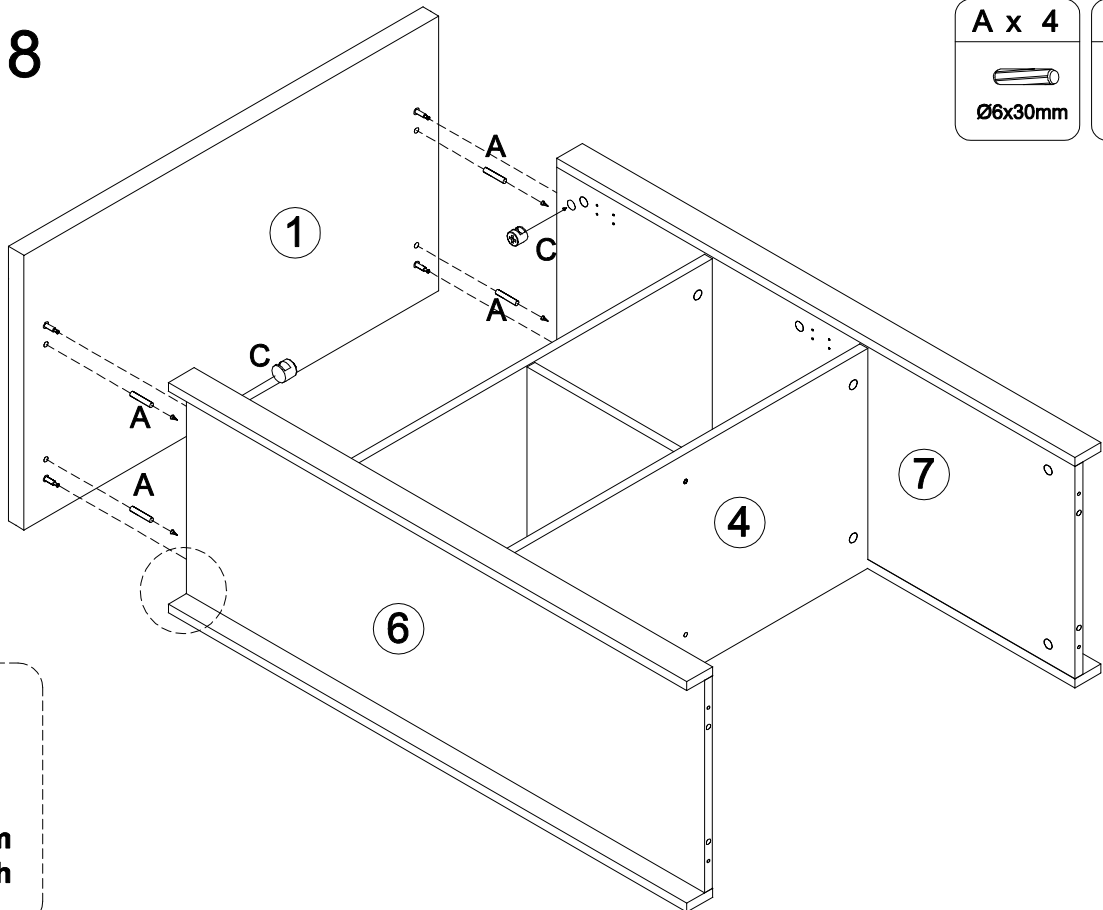


# Step 8

A x 4





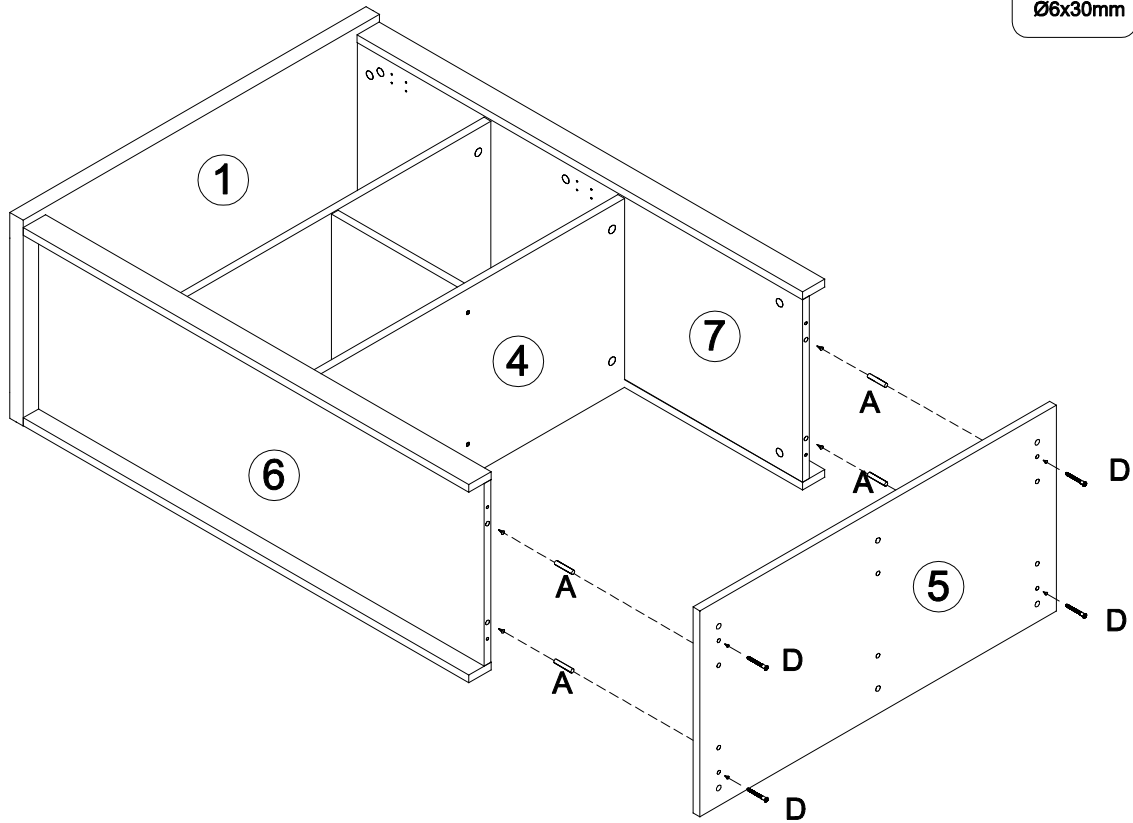
C x 4



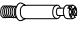


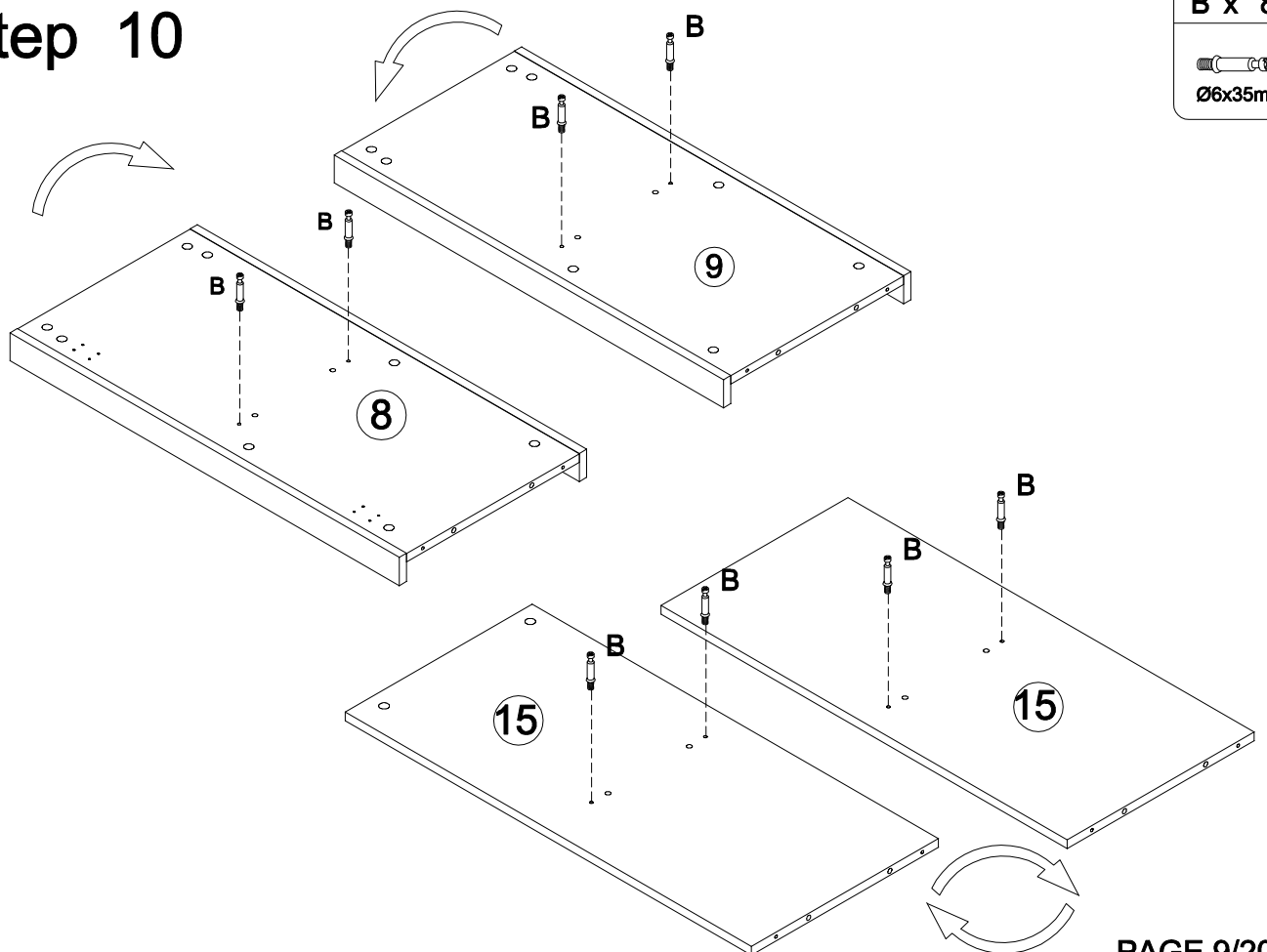
# Step 9

<b>A x 4</b>	<b>D x 4</b>
	
Ø6x30mm	Ø5x40mm






# Step 10

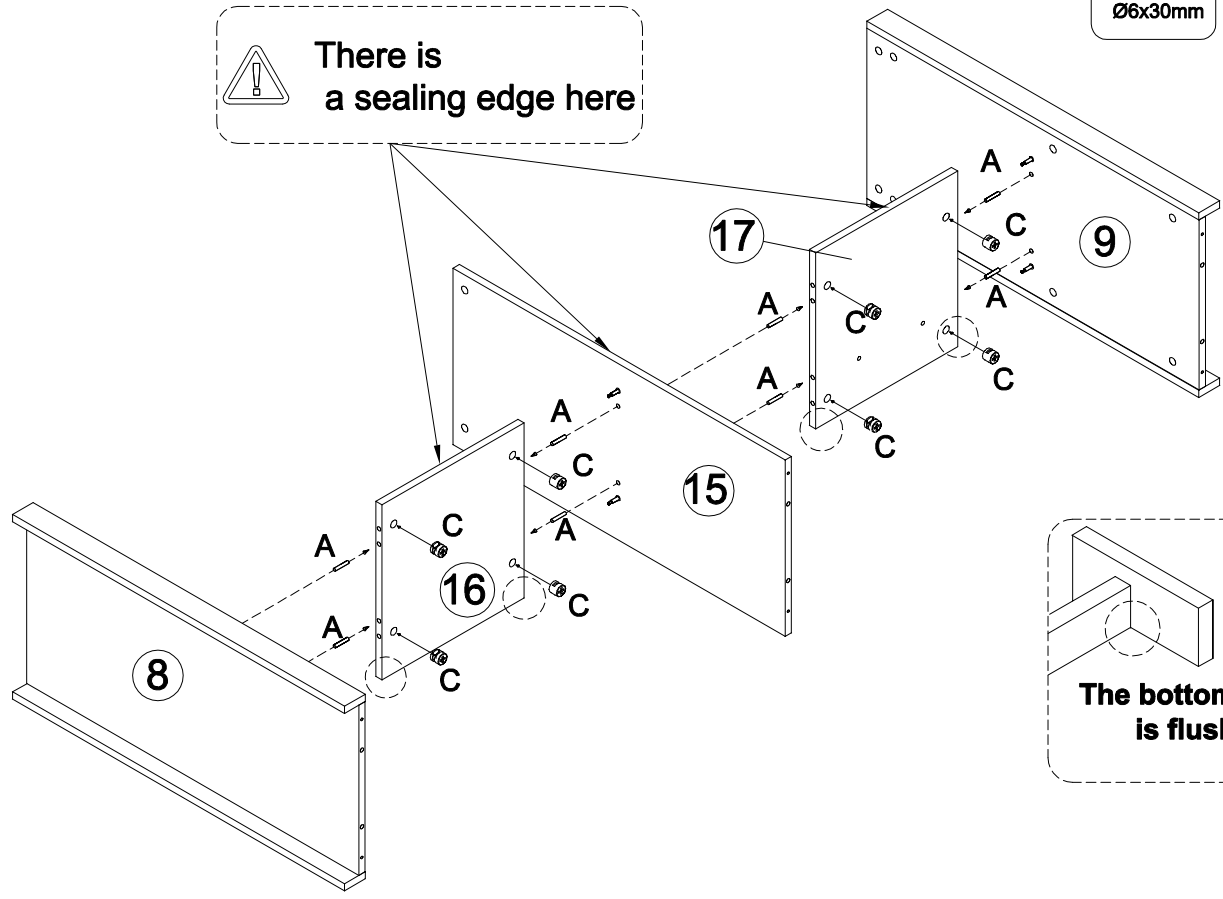
<b>B x 8</b>

Ø6x35mm



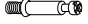
# Step 11

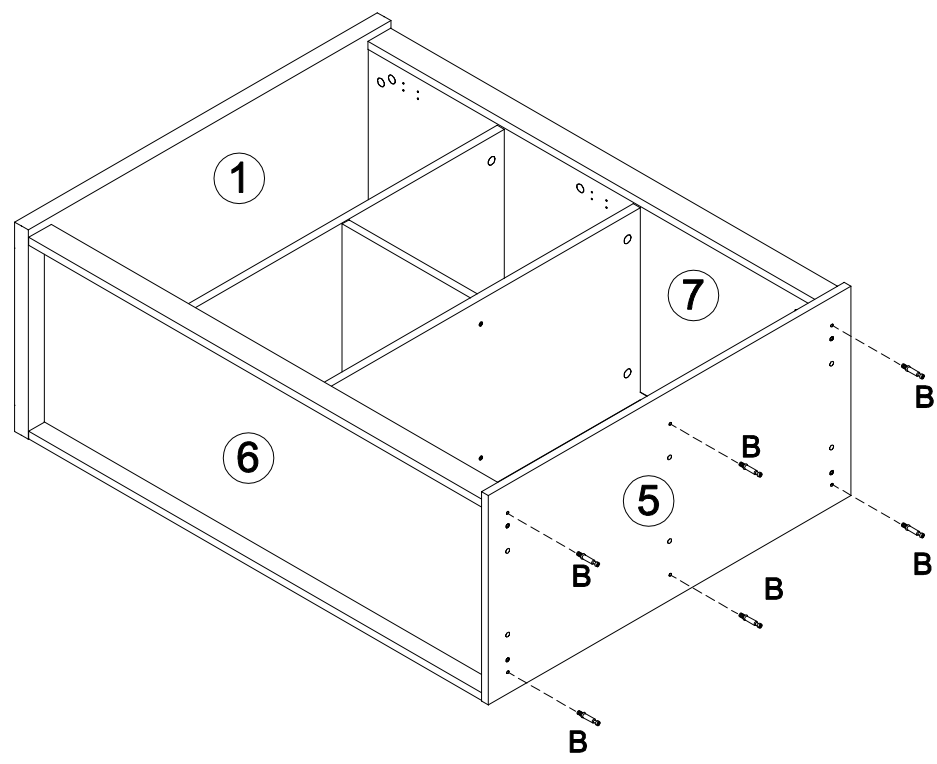
<b>A x 8</b>  Ø6x30mm	<b>C x 8</b>  Ø15x9.5mm
--	--

 There is a sealing edge here





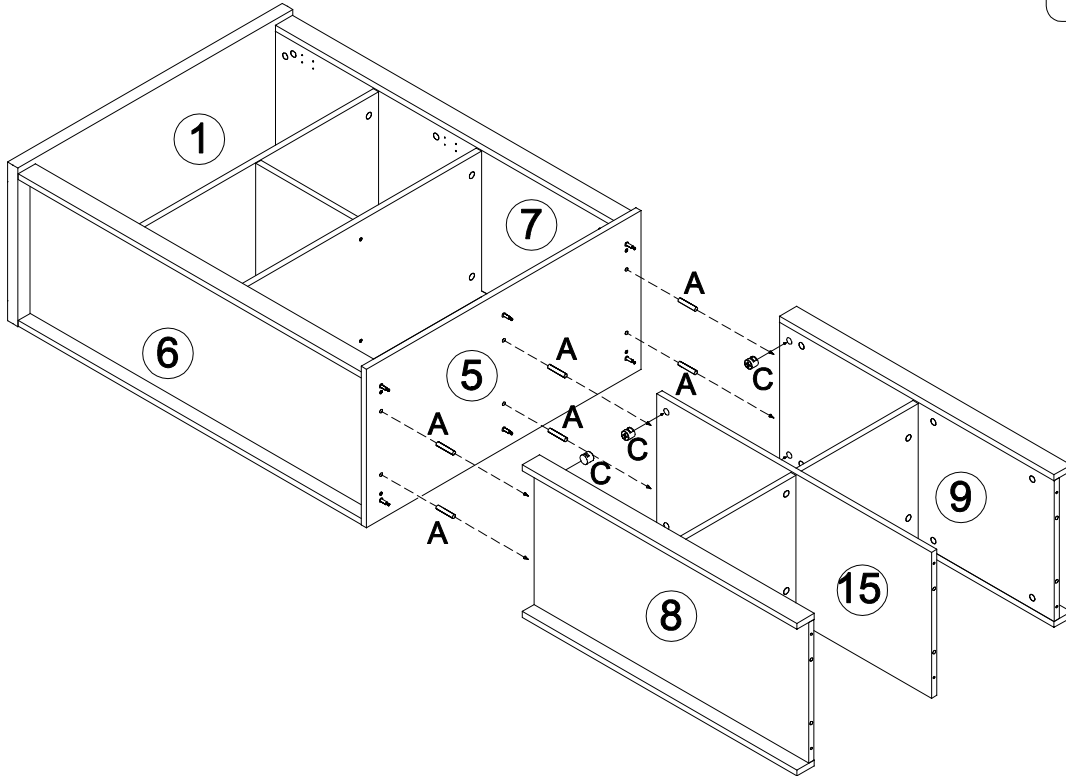
# Step 12

<b>B x 6</b>  Ø6x35mm
--





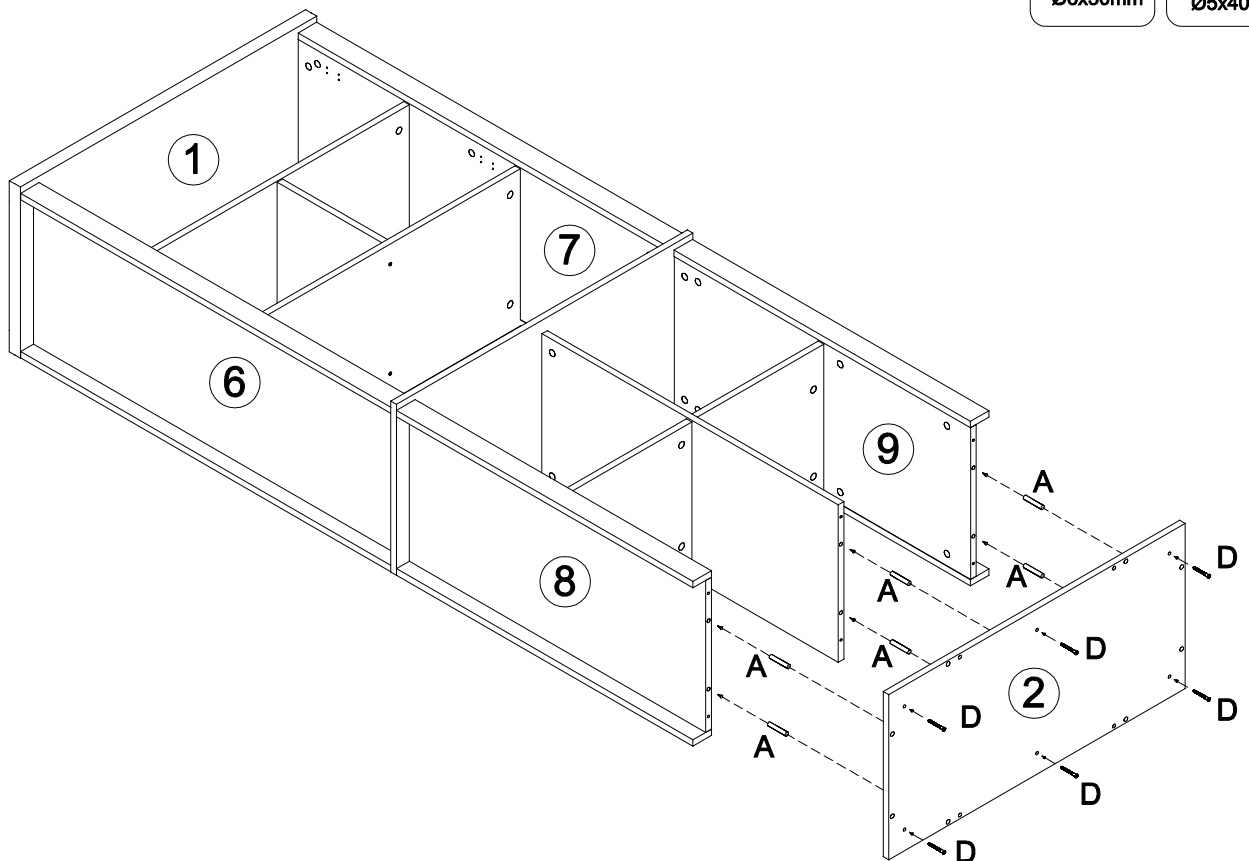
# Step 13

<b>A x 6</b>	<b>C x 6</b>
	
Ø6x30mm	Ø15x9.5mm

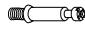



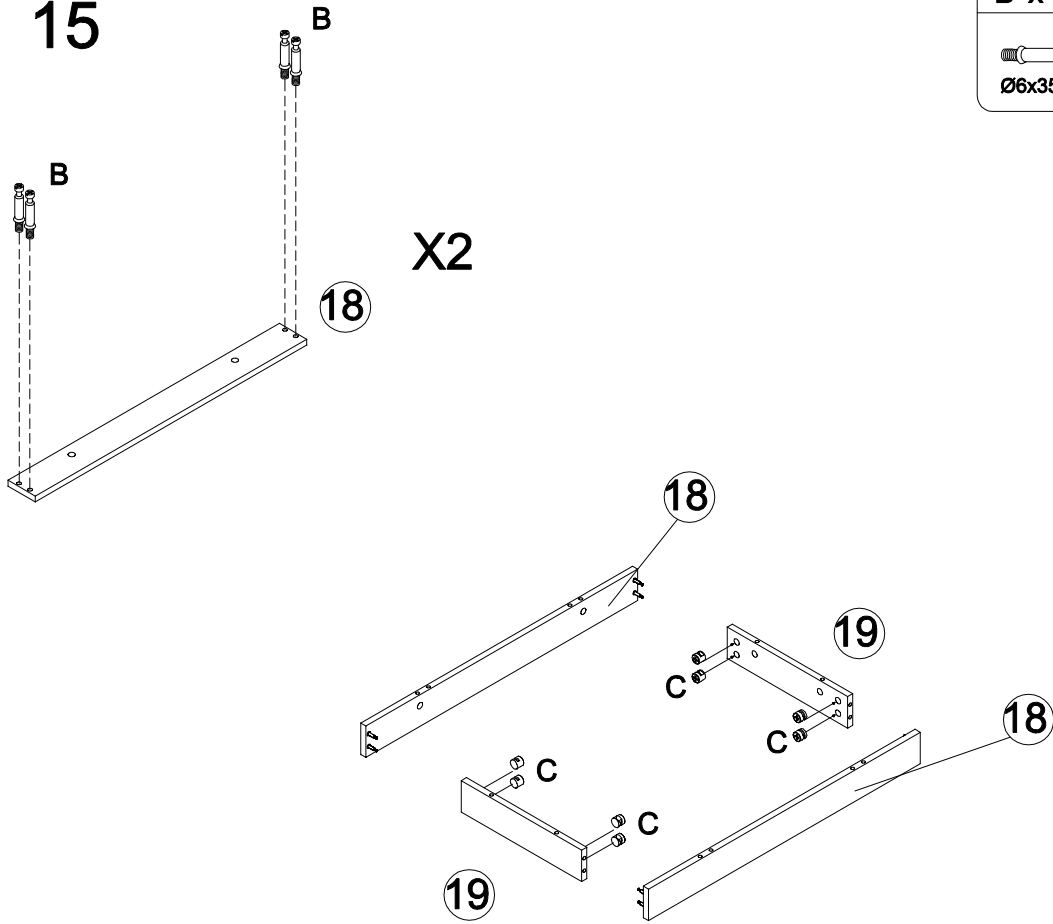
# Step 14

<b>A x 6</b>	<b>D x 6</b>
	
Ø6x30mm	Ø5x40mm

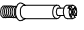


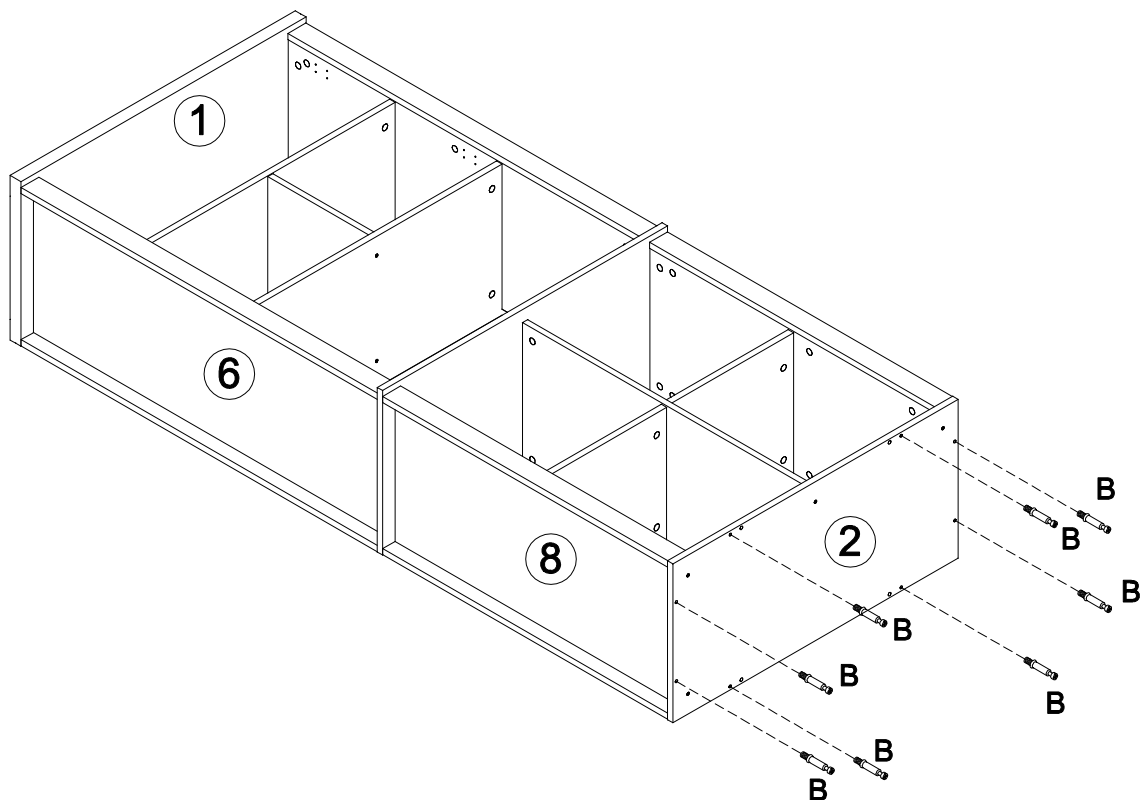
# Step 15

<b>B x 8</b>  Ø6x35mm	<b>C x 8</b>  Ø15x9.5mm
--	--





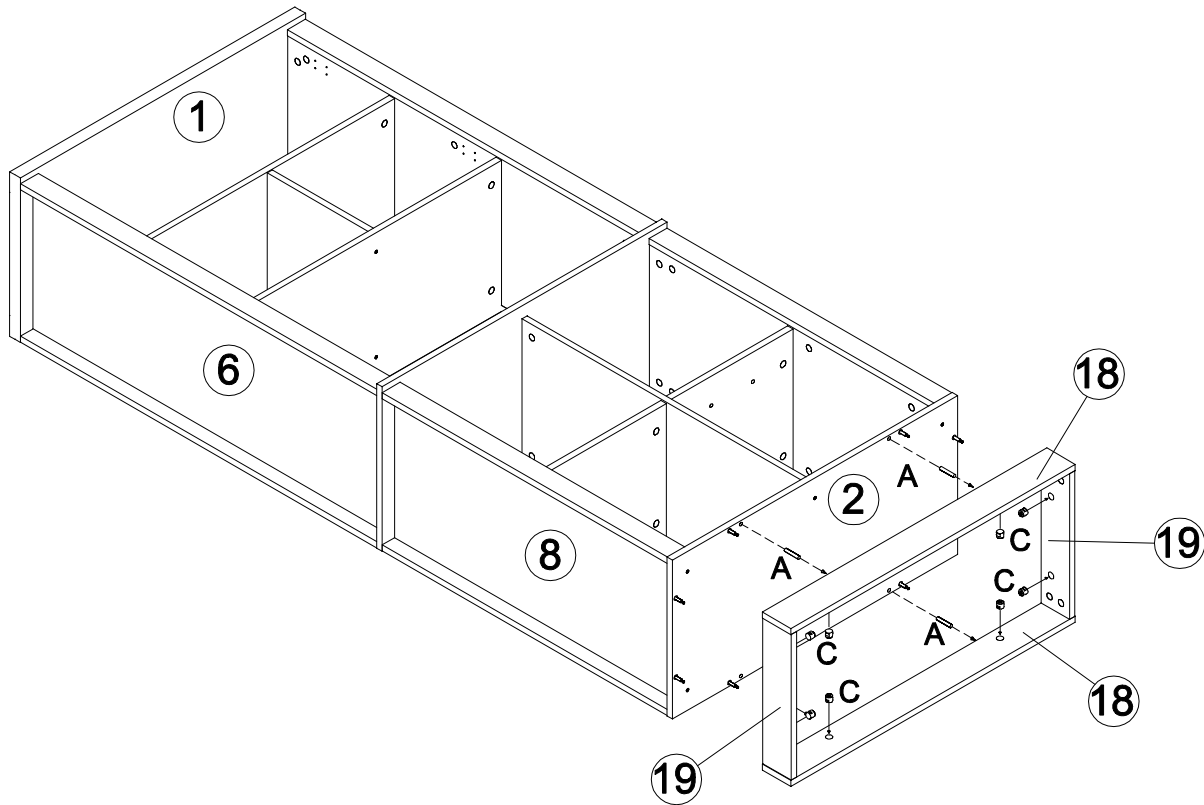
# Step 16

<b>B x 8</b>  Ø6x35mm
--




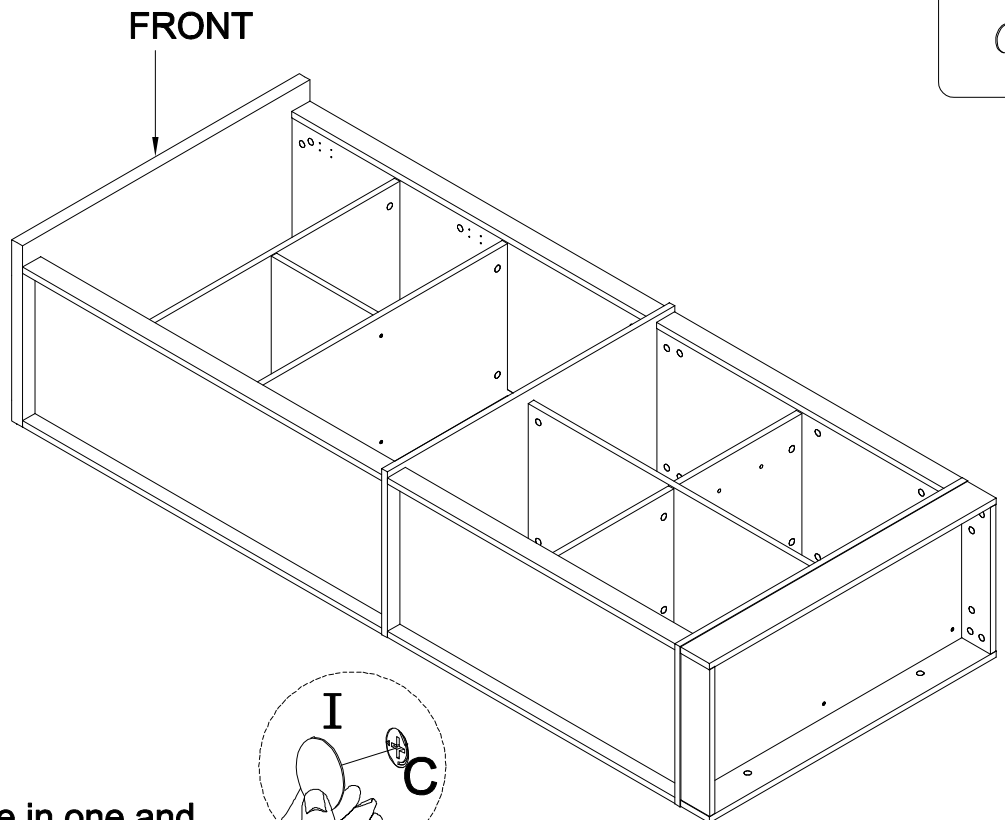
# Step 17

A x 4	C x 8
	
Ø6x30mm	Ø15x9.5mm



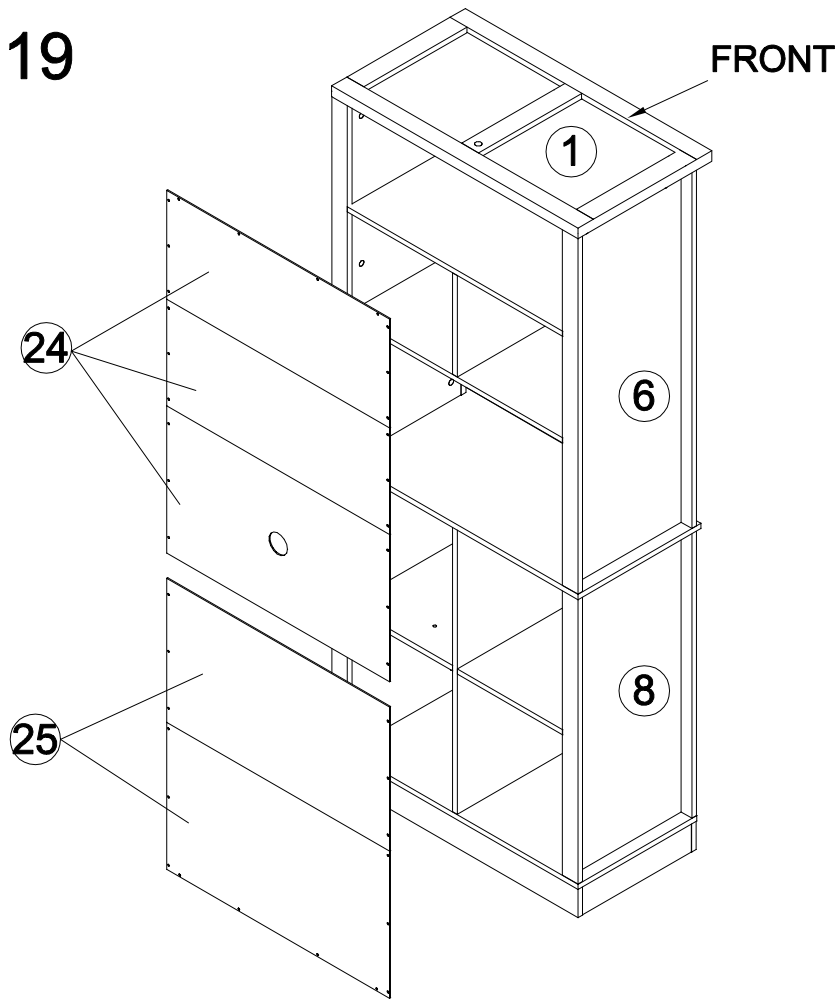
# Step 18

I x 68


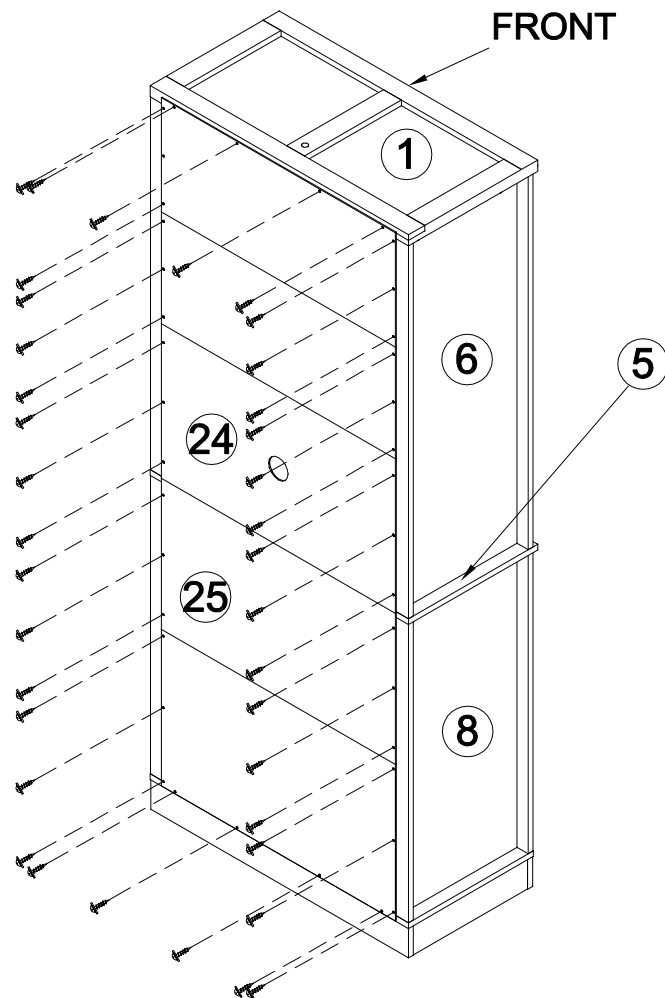


Tighten the three in one and apply the sticker (I) to the hole.

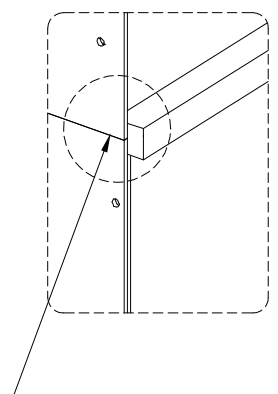
# Step 19



# Step 20



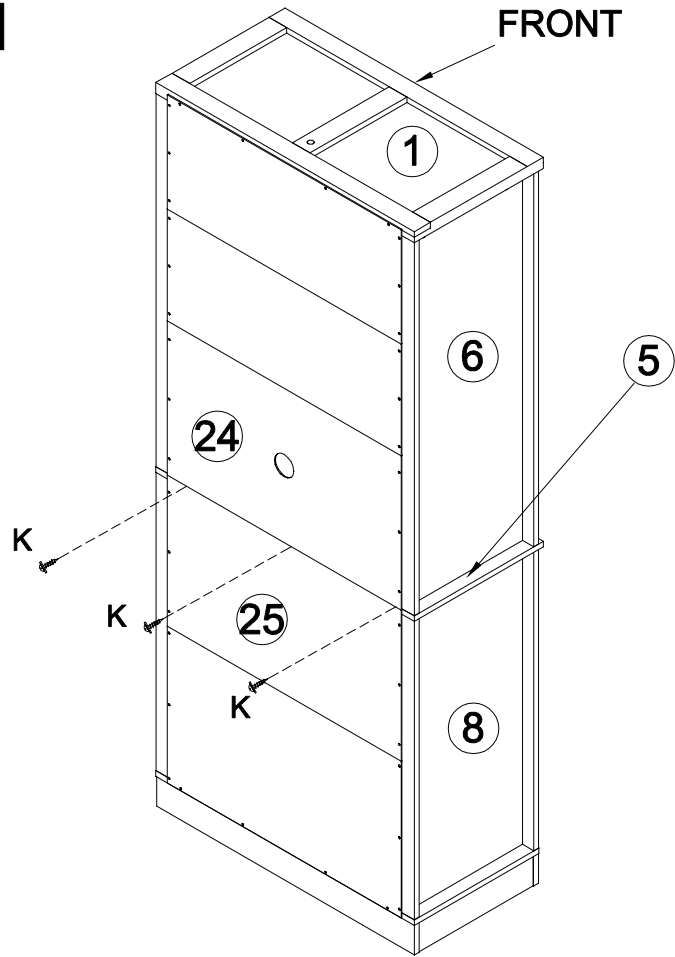
K x 38  
Ø3.5x12mm



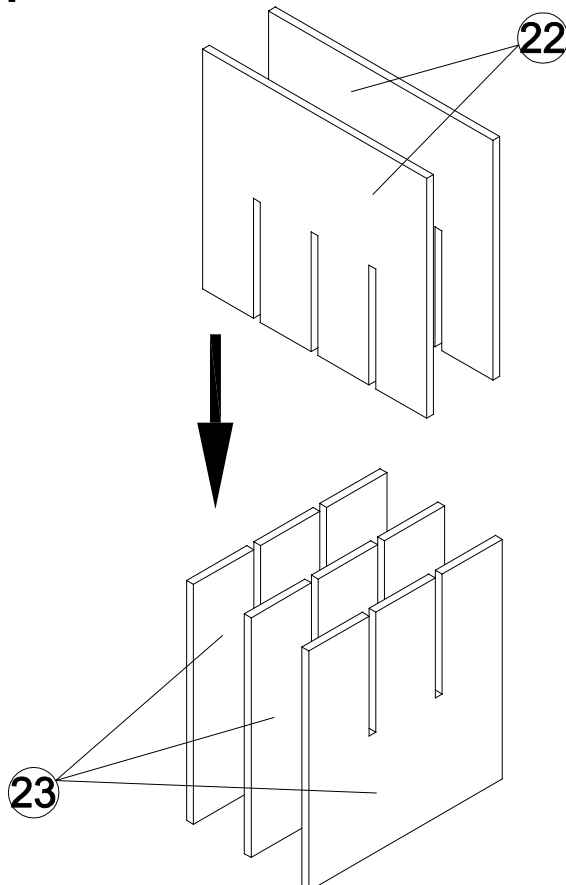
The seams of 24 and 25 are in the middle of 5

K  
x38pcs

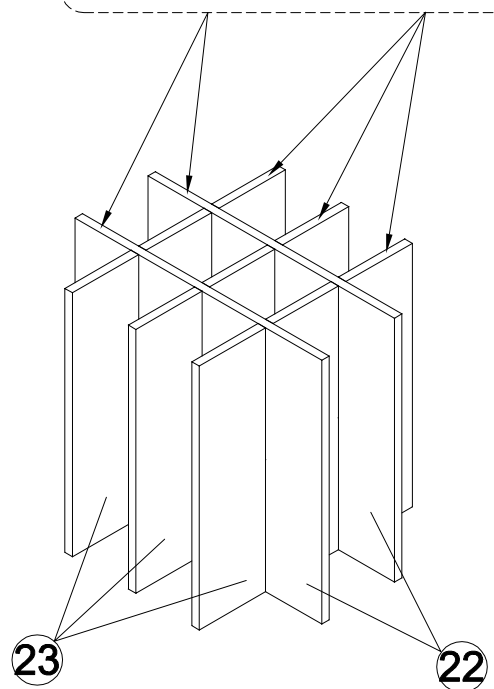
# Step 21



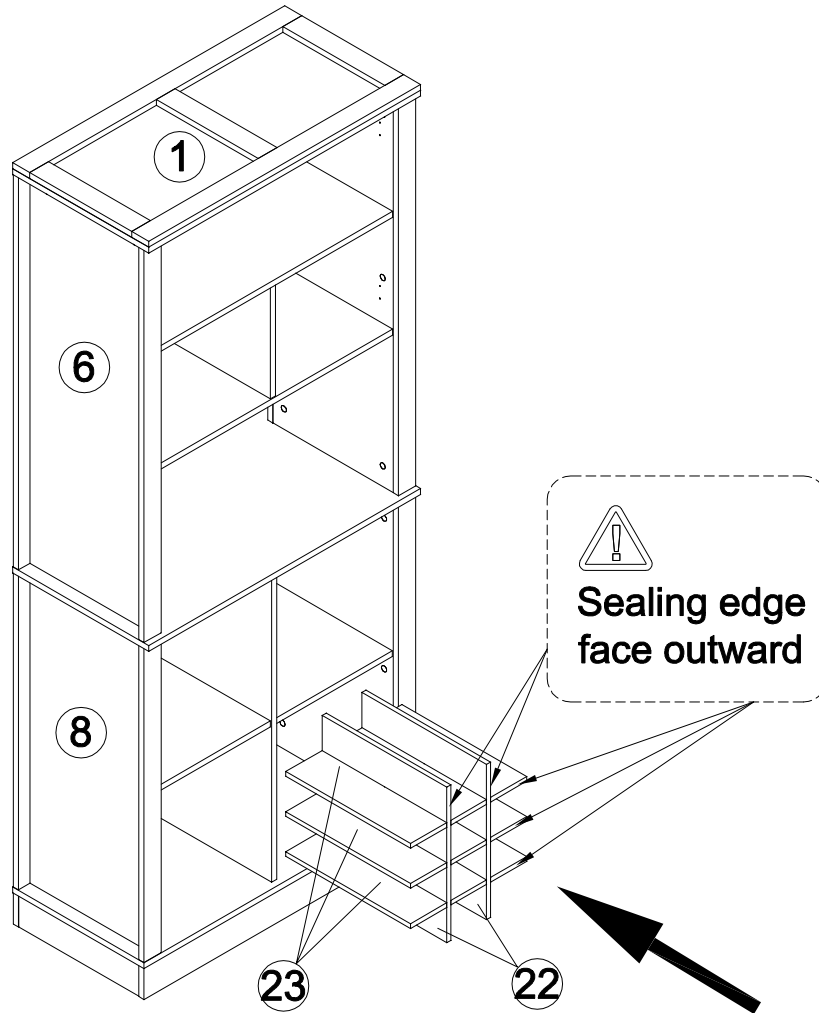
# Step 22



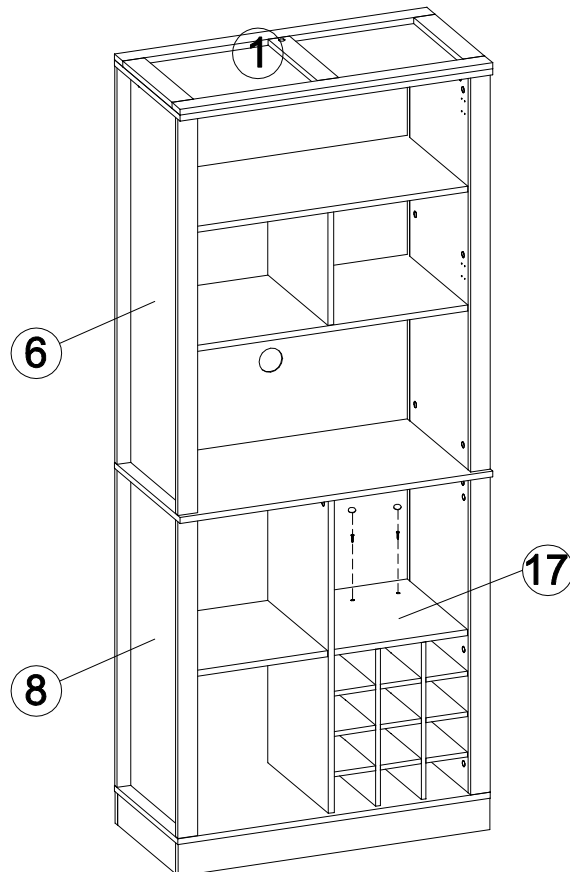
There is a sealing edge here



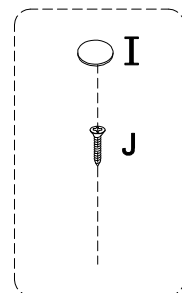
# Step 23



# Step 24

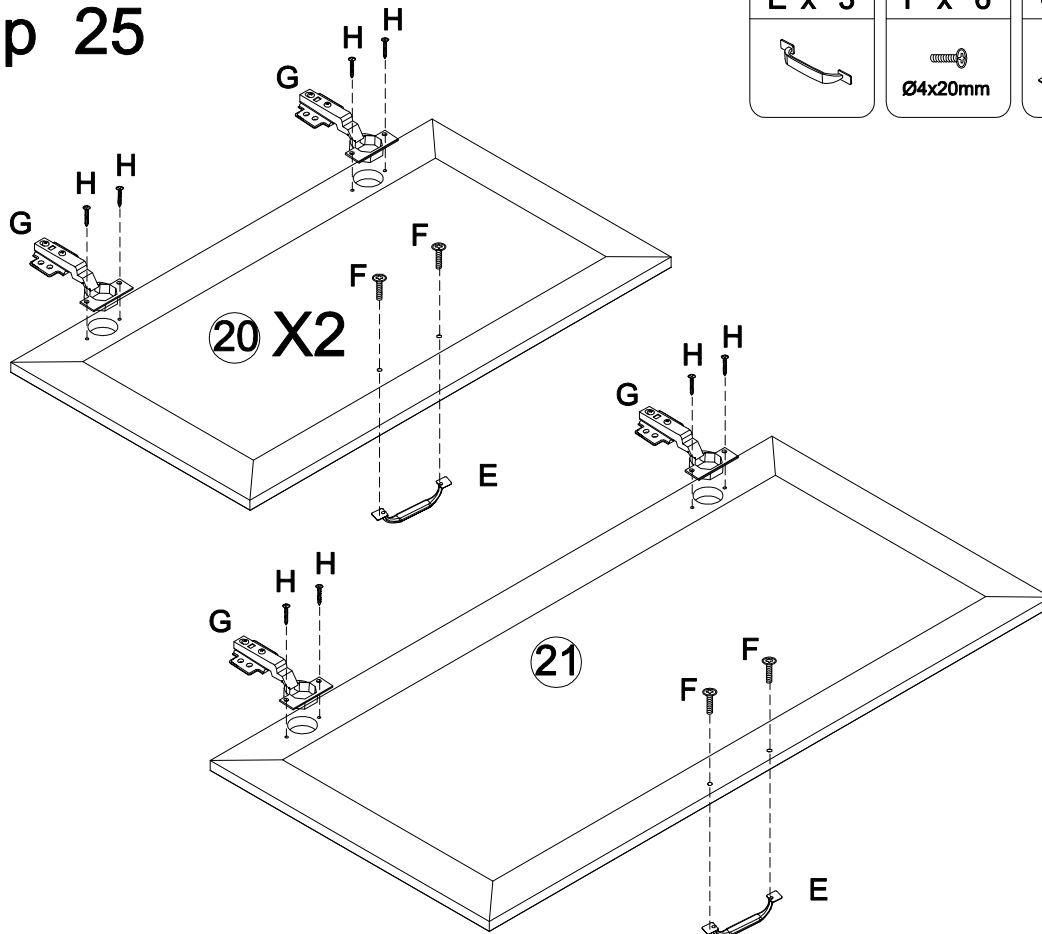


I x 2	J x 2
	Ø3.5x25mm






# Step 25



**E x 3**

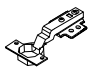


**F x 6**




Ø4x20mm

**G x 6**

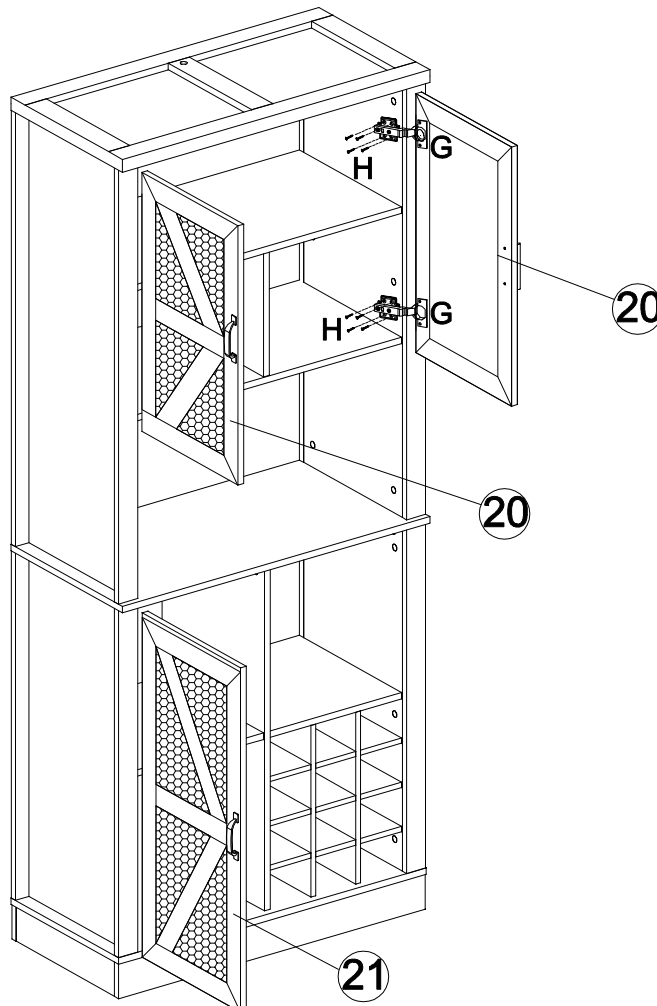


**H x 12**

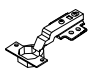


Ø3.5x12mm

# Step 26



**G x 6**

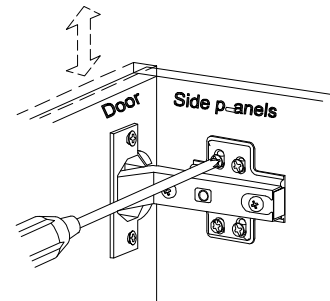
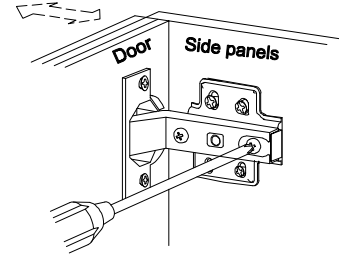
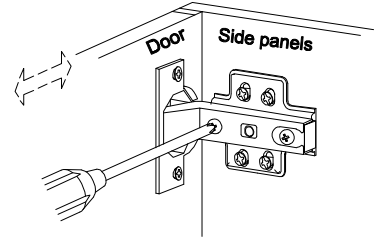
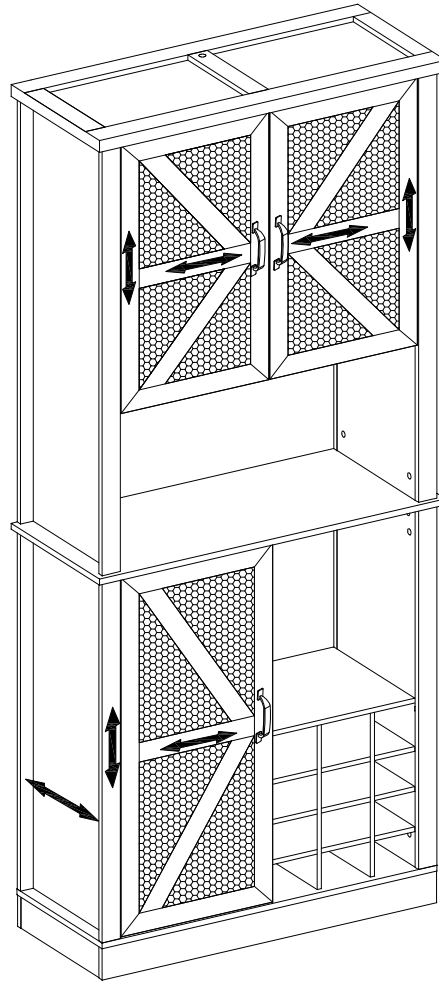


**H x 24**

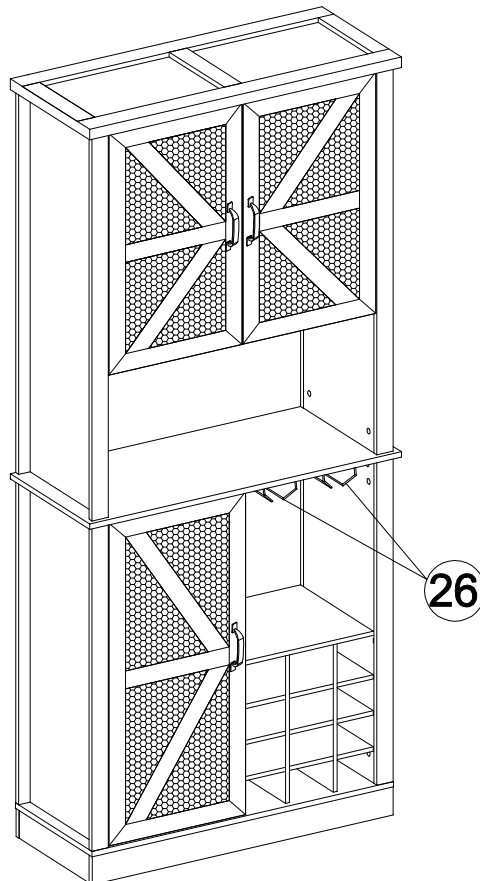


Ø3.5x12mm

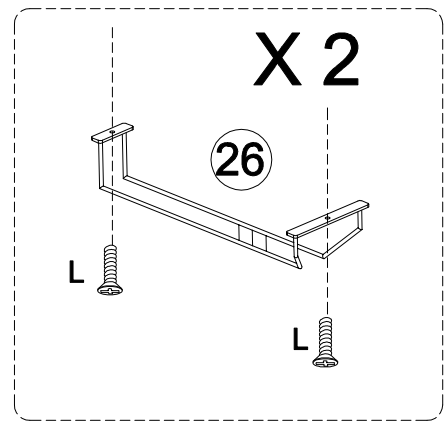
# Step 27





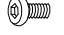
# Step 28

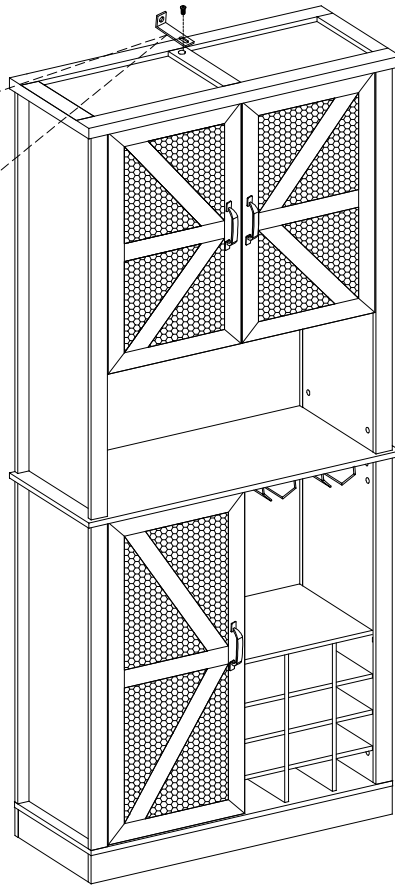
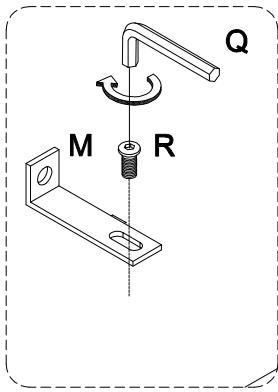


L x 4  
M4x10mm


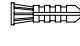




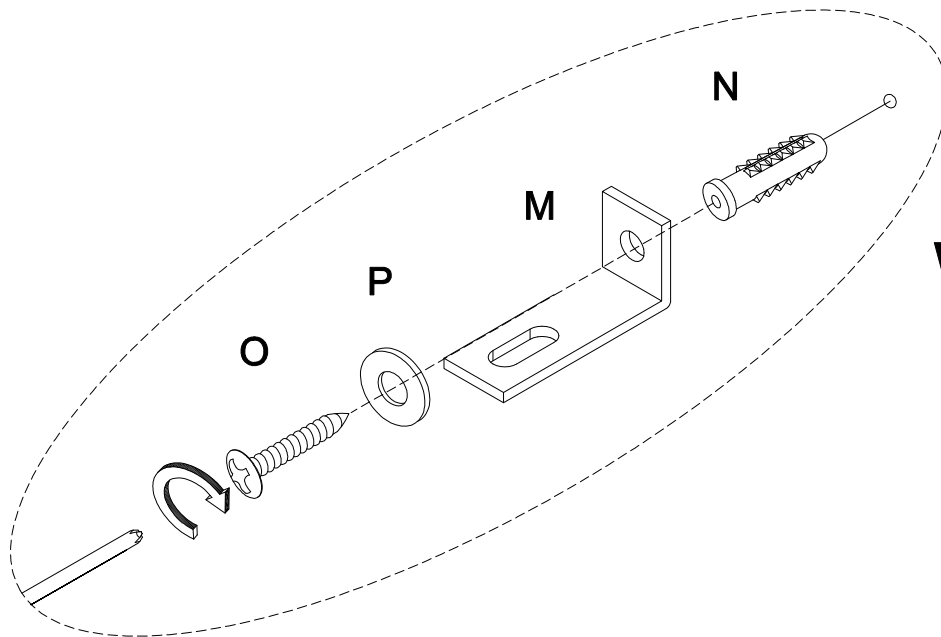
# Step 29

<b>M x 1</b> 	<b>Q x 1</b>  4mm	<b>R x 1</b>  Ø1/4**12mm
---	--	---

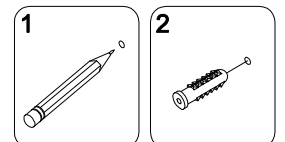


# Step 30

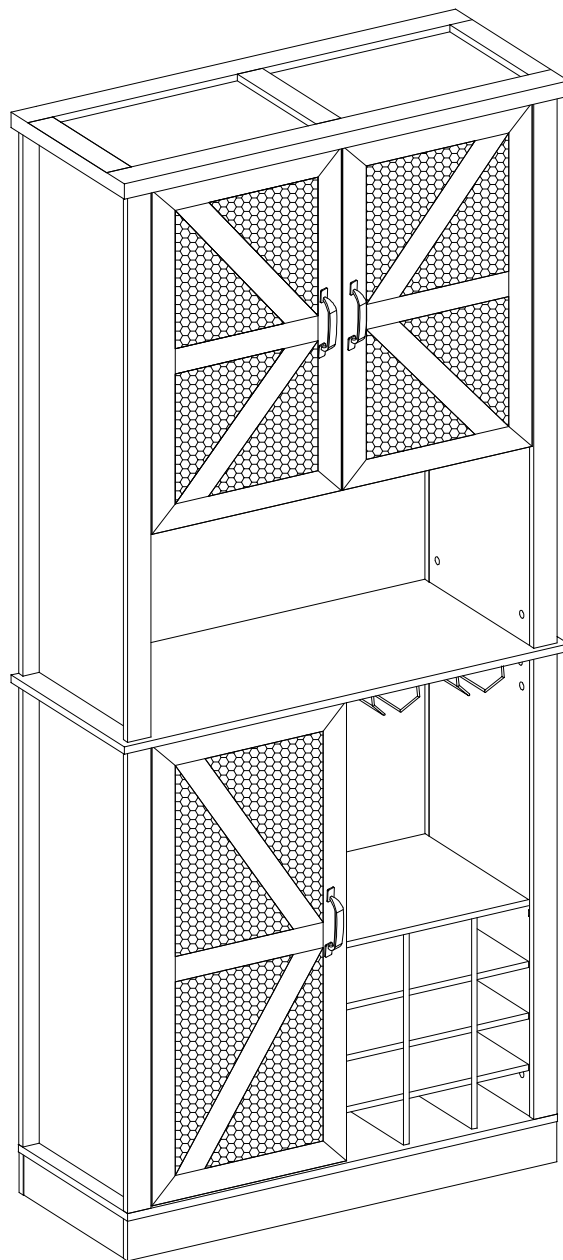
<b>M x 1</b> 	<b>N x 1</b> 	<b>O x 1</b>  Ø4x30mm	<b>P x 1</b>  Ø6mm
--	---	--	---



Wall



# Step 31



**Final Assembly**