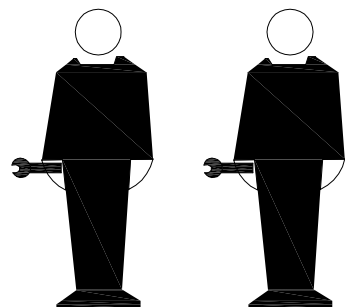
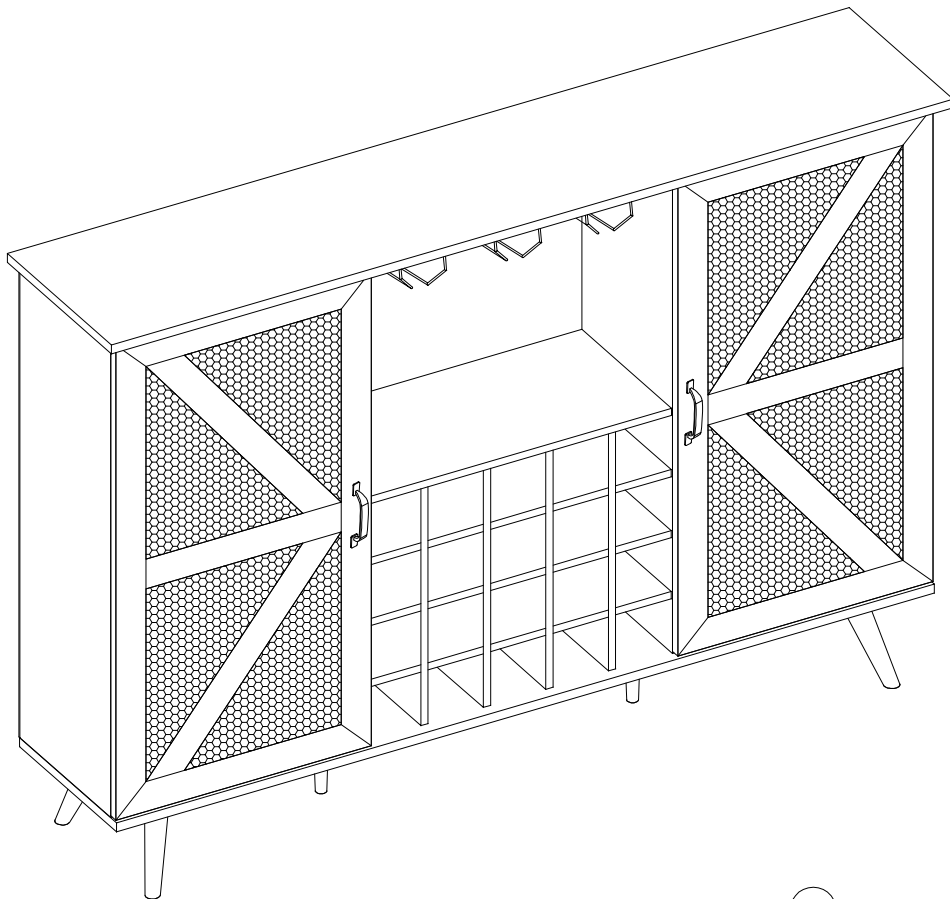


ASSEMBLY INSTRUCTION

MODEL#WF007

Thank you for purchasing the quality product. Be sure to check all packing material carefully for small parts which may have come loose inside the carton during shipment. Separate, identify and count all parts and metal hardware. Compare with all parts list to be sure all parts are present. If any part(s) are missing or damaged, please contact your local furniture dealer. For efficient and speedy service, please indicate the model number and code letter of part(s) needed.

*****Do not fully tighten screws until fully assembled*****

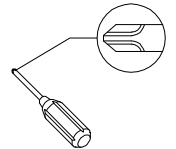


Attention:

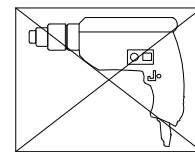
*****Some number parts listed on the instruction sheet may not be in parts bag as they may already be assembled. Carefully check parts and packing materials prior to ordering replacements.**

General Assembly Guidelines

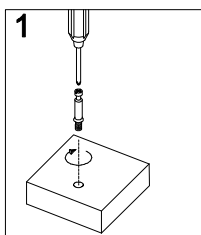
- I. Ensure that all parts and hardware are available before beginning assembly.
- II. Follow each step carefully to ensure the proper assembly of this product.
- III. Two people are recommended for ease in the assembly of this product.
- IV. The three main types of hardware used to assemble this product are: wood dowels, screws and bolts.
- V. A Phillips head screwdriver is required for the assembly of this product.



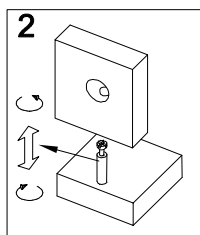
- VI. Power tools should not be used to assemble this product.



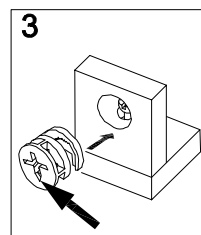
VII. Cam bolt and Cam lock Assembly instruction.



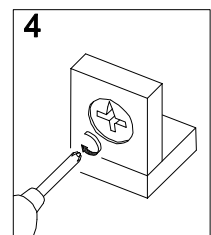
1
Cam bolt vertical installation.



2
Cam bolt is adjustable

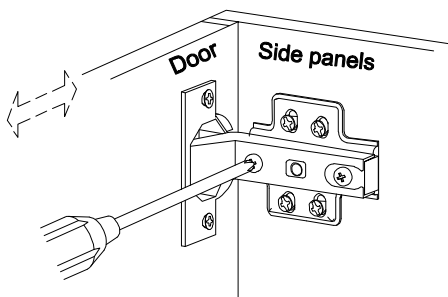


3
Cam lock the arrow is towards the Cam bolt

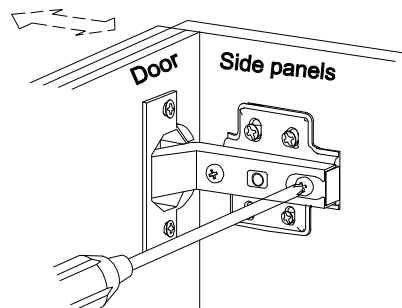


4
180° Ensure locking

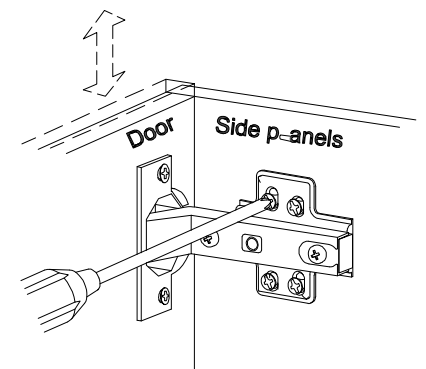
VIII. Concealed hinges are three-way adjustable.



Horizontal by screw adjustment

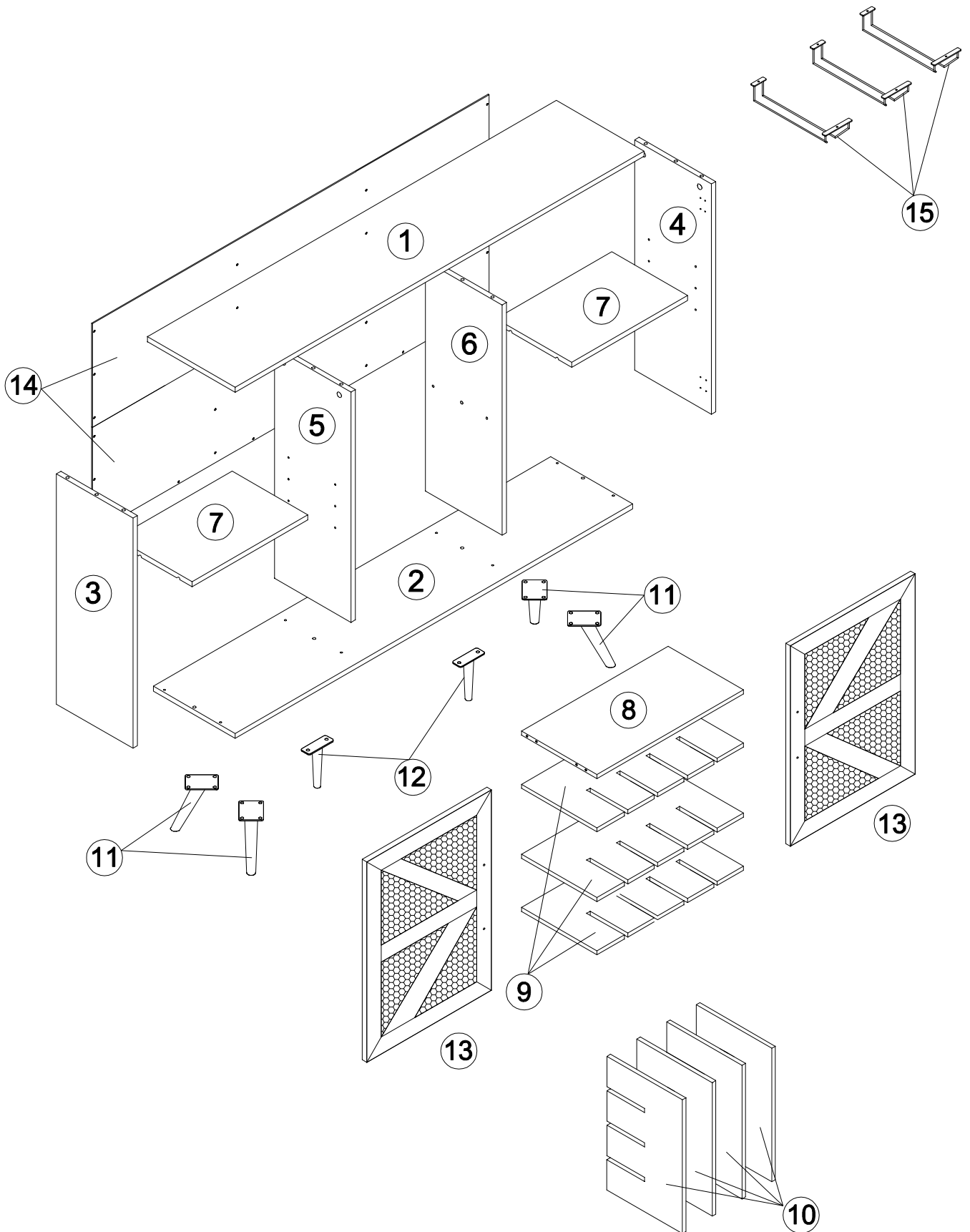


In-and-Out by loosening the hinge-arm mounting screw or via cam adjustment











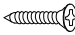

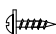




Vertical Via slots in the mounting plate or via cam adjustment

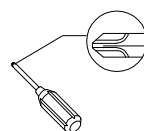
COMPONENT PARTS



Hardware List

A		Ø6x30mm	Wooden dowel	10 pcs
B		Ø6x35mm	Cam bolt	12 pcs
C		Ø15x9mm	Cam lock	12 pcs
D		Ø5x40mm	Screw	8 pcs
E			Handle	2 pcs
F		Ø4x20mm	Screw	4 pcs
G			Hinge	4 pcs
H		Ø3.5x12mm	Screw	24 pcs
I		Ø5x14mm	Screw	20 pcs
J			Sticker	14 pcs
K		Ø3.5x25mm	Bolt	2 pcs
L				8 pcs
M		Ø3.5x12mm	Screw	32 pcs
N		M4x10	Bolt	6 pcs
O				2 pcs

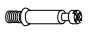
Philips head screwdriver required for assembly
(not included)



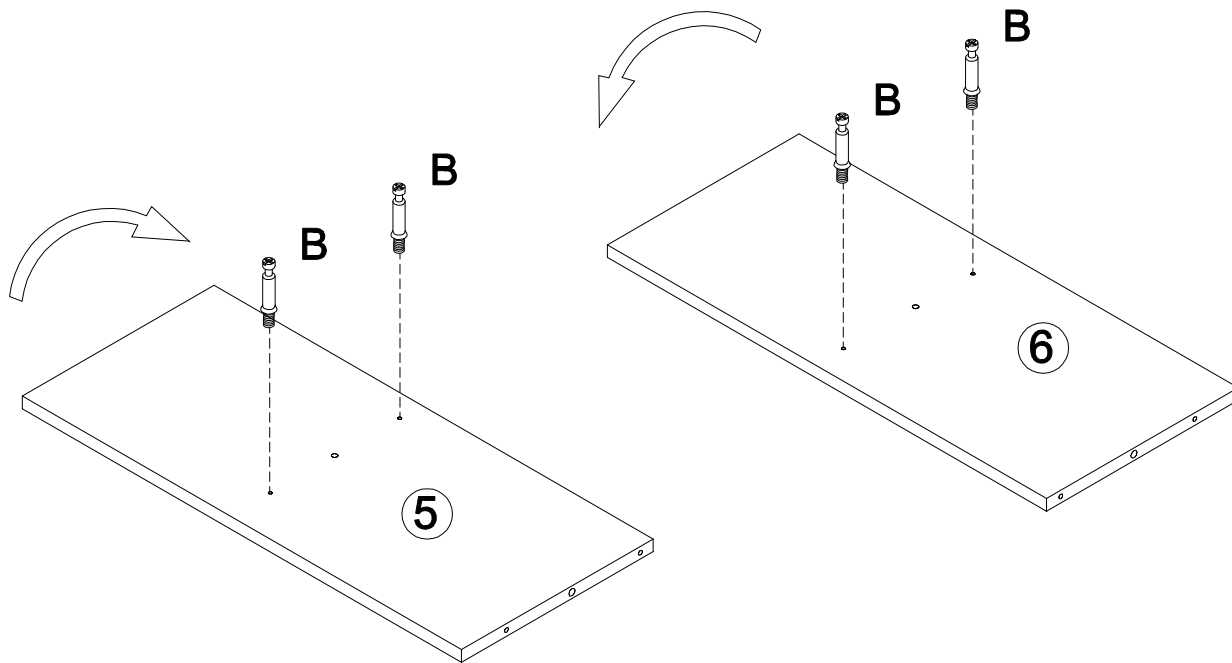
*The hardware quantities listed above are required for proper assembly.
Some extra hardware may also have been included.*

Step 1


B x 4






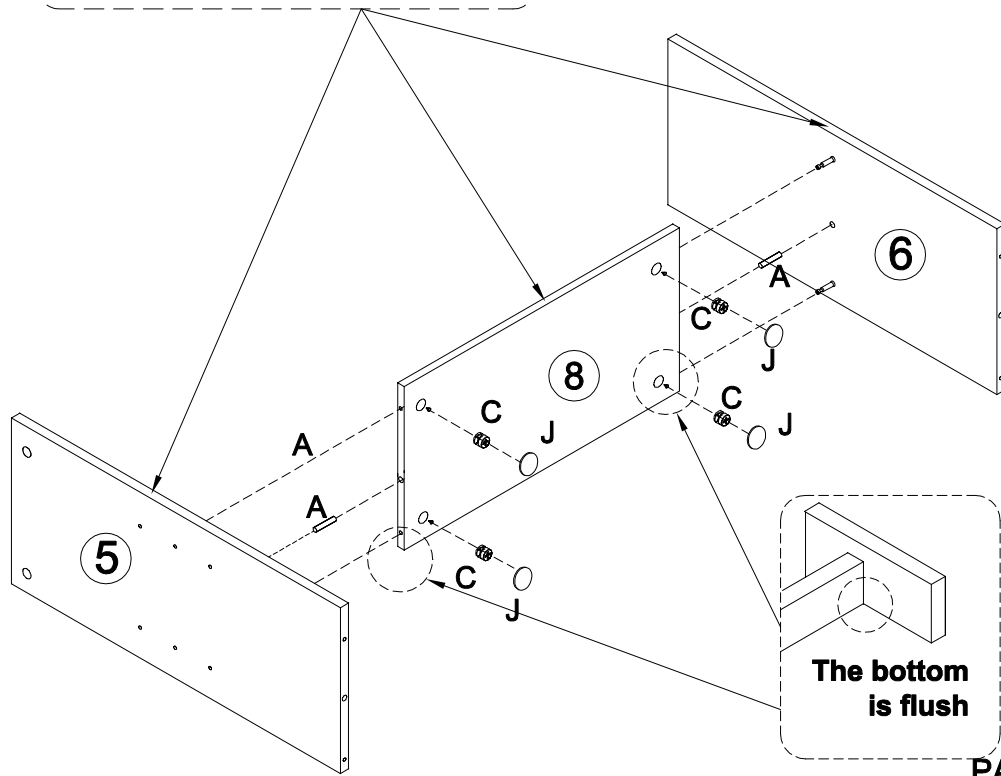
Ø6x35mm



Step 2

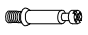
 **There is a sealing edge here**

A x 2	C x 4	J x 4
 Ø6x30mm	 Ø15x9mm	

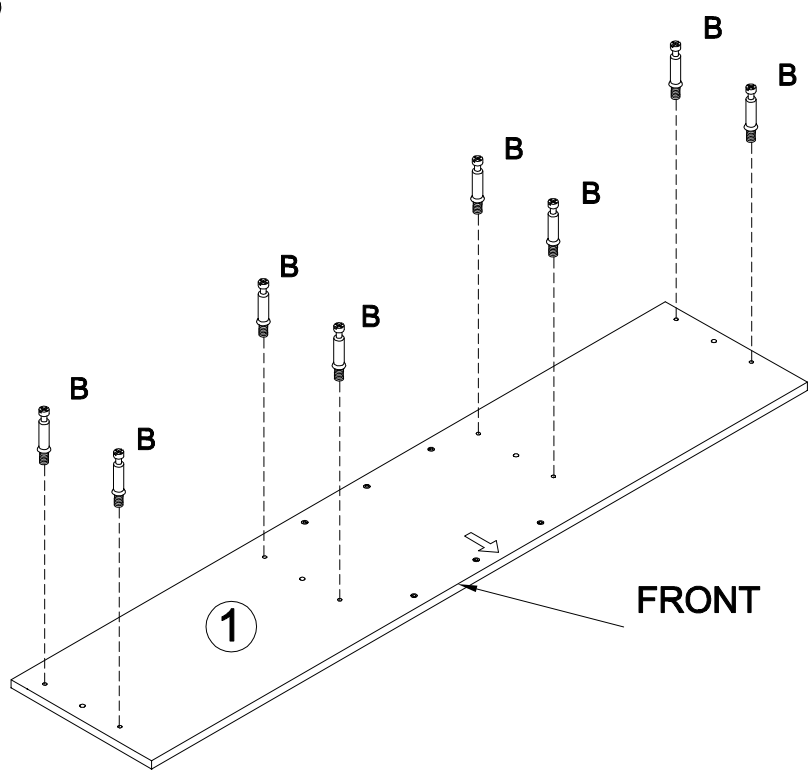


Step 3

B x 8




Ø6x35mm




Step 4

A x 4

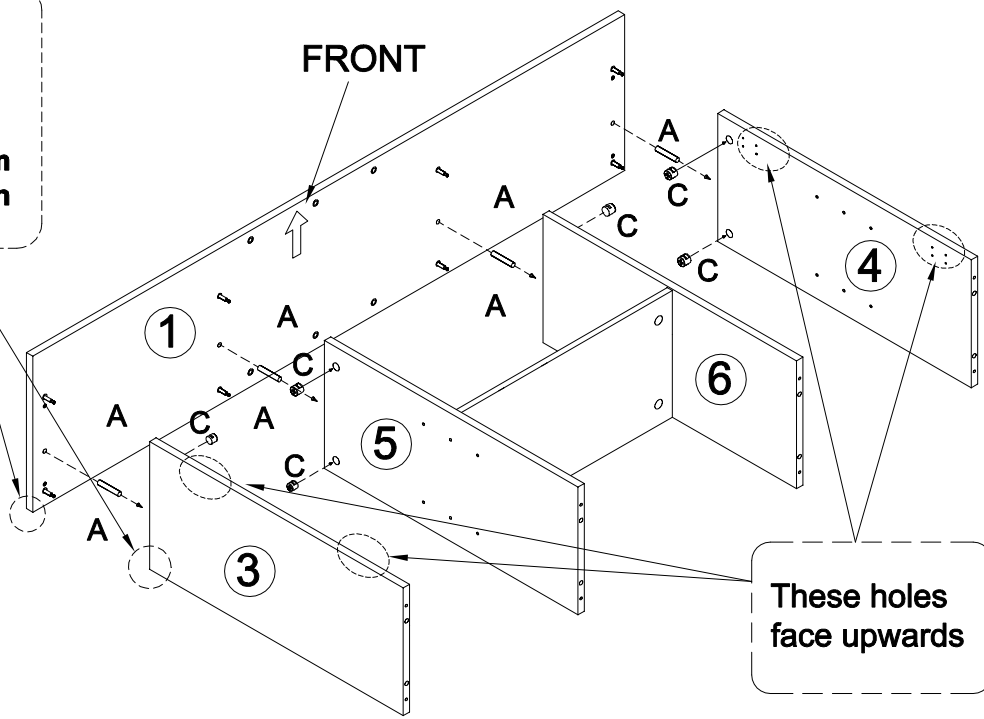
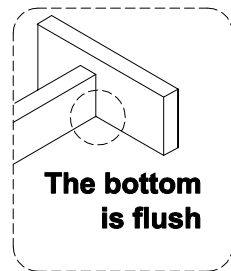


Ø6x30mm



C x 8

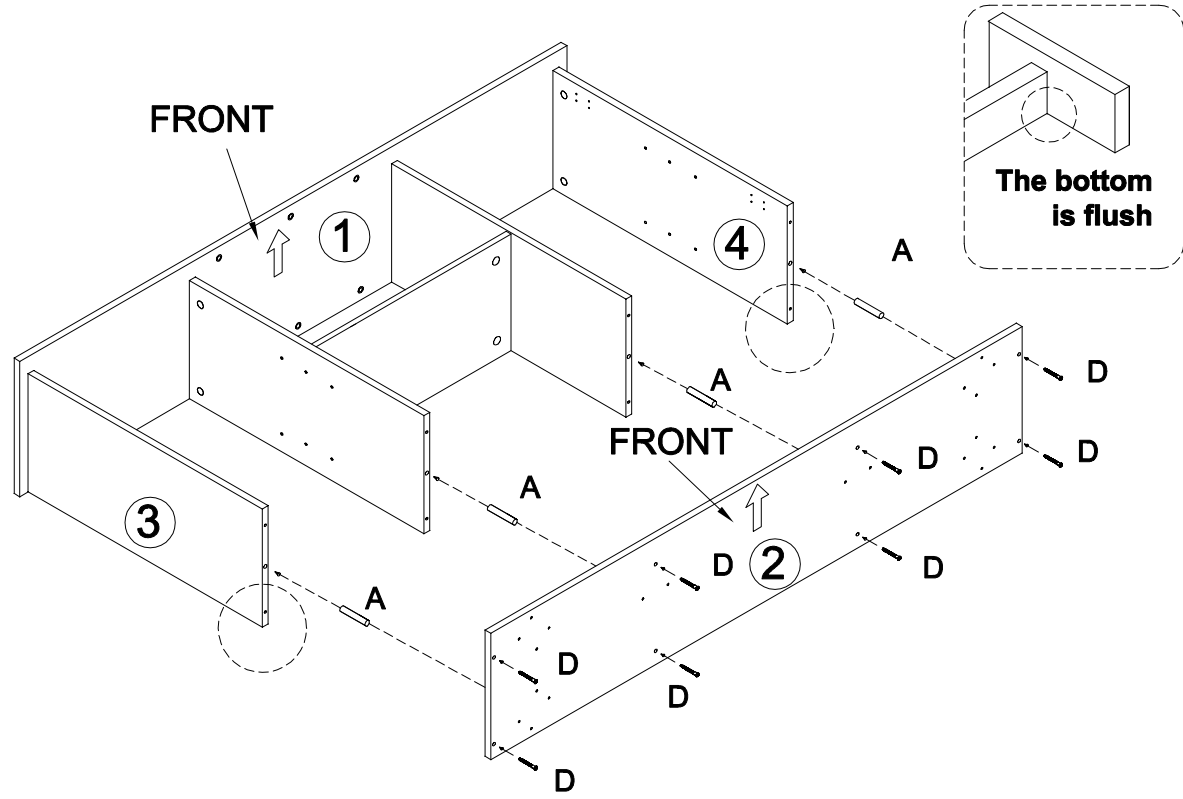


Ø15x12mm





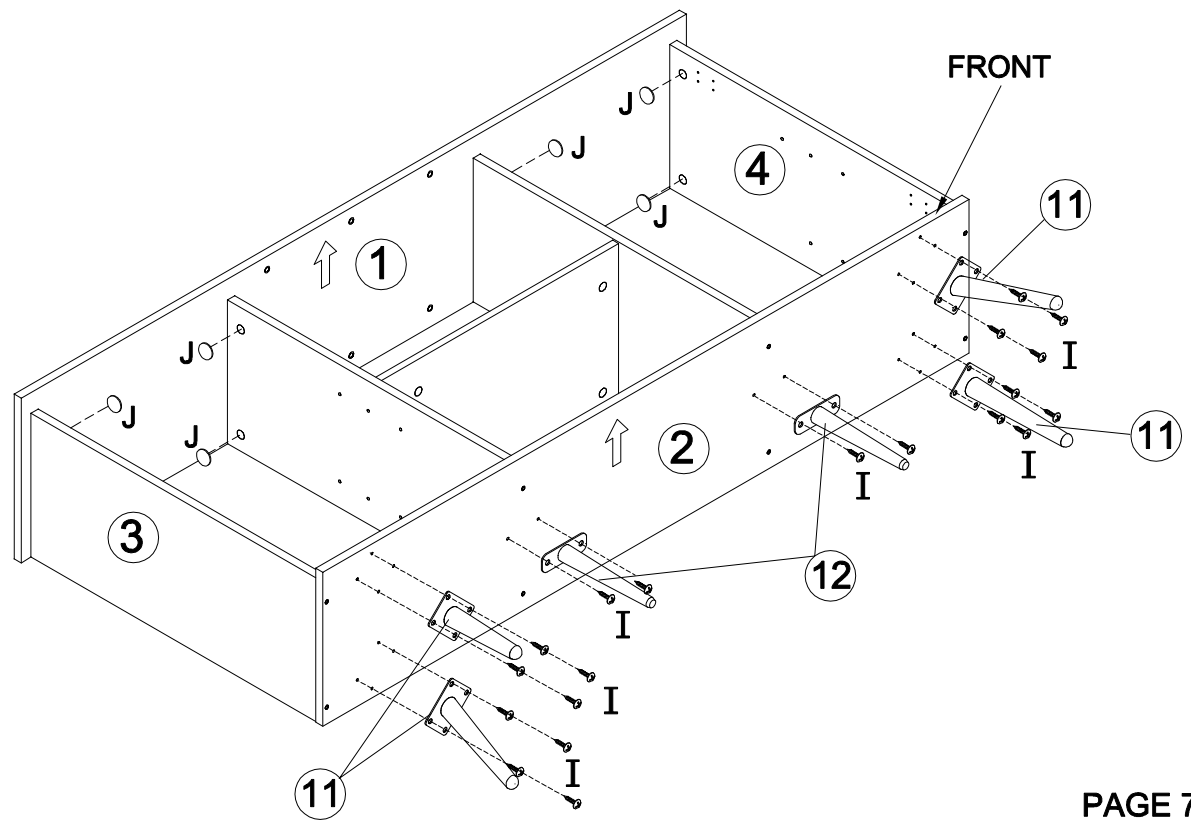
Step 5

A x 4	D x 8
	
Ø6x30mm	Ø5x40mm

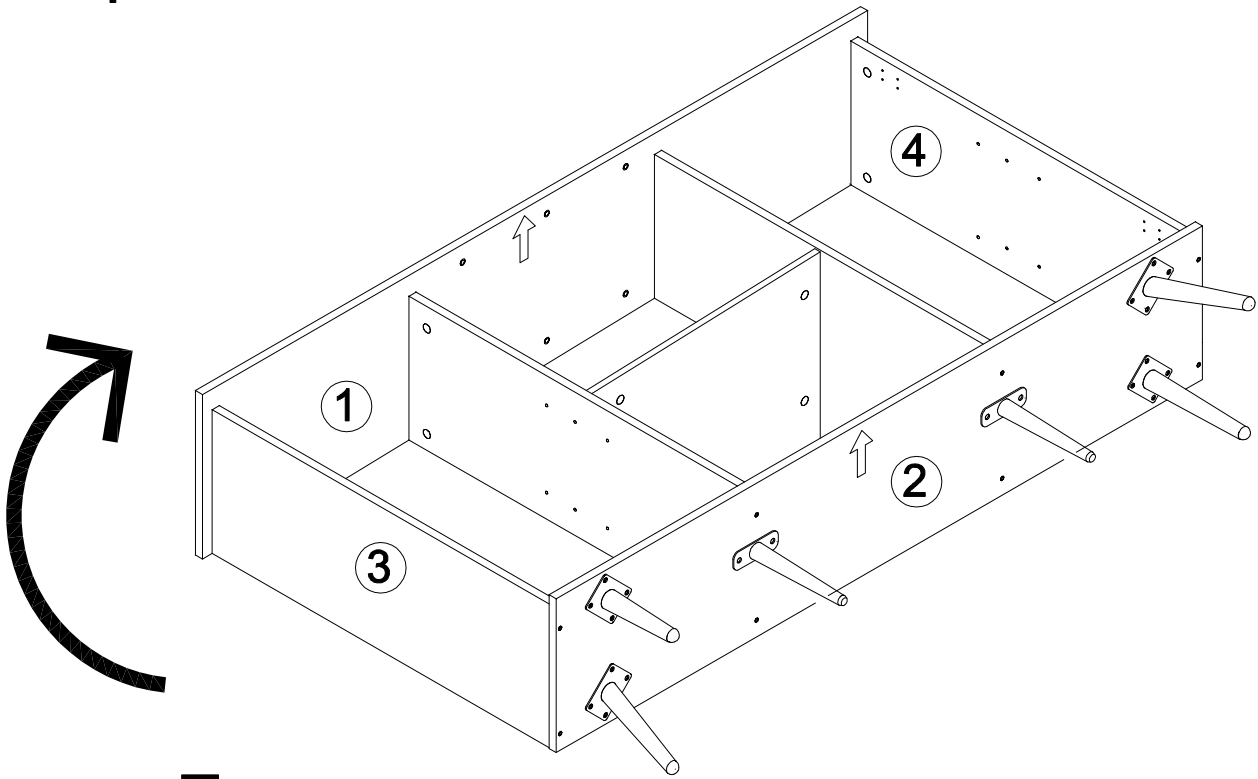


Step 6

I x 20	J x 8
	
Ø5x14mm	

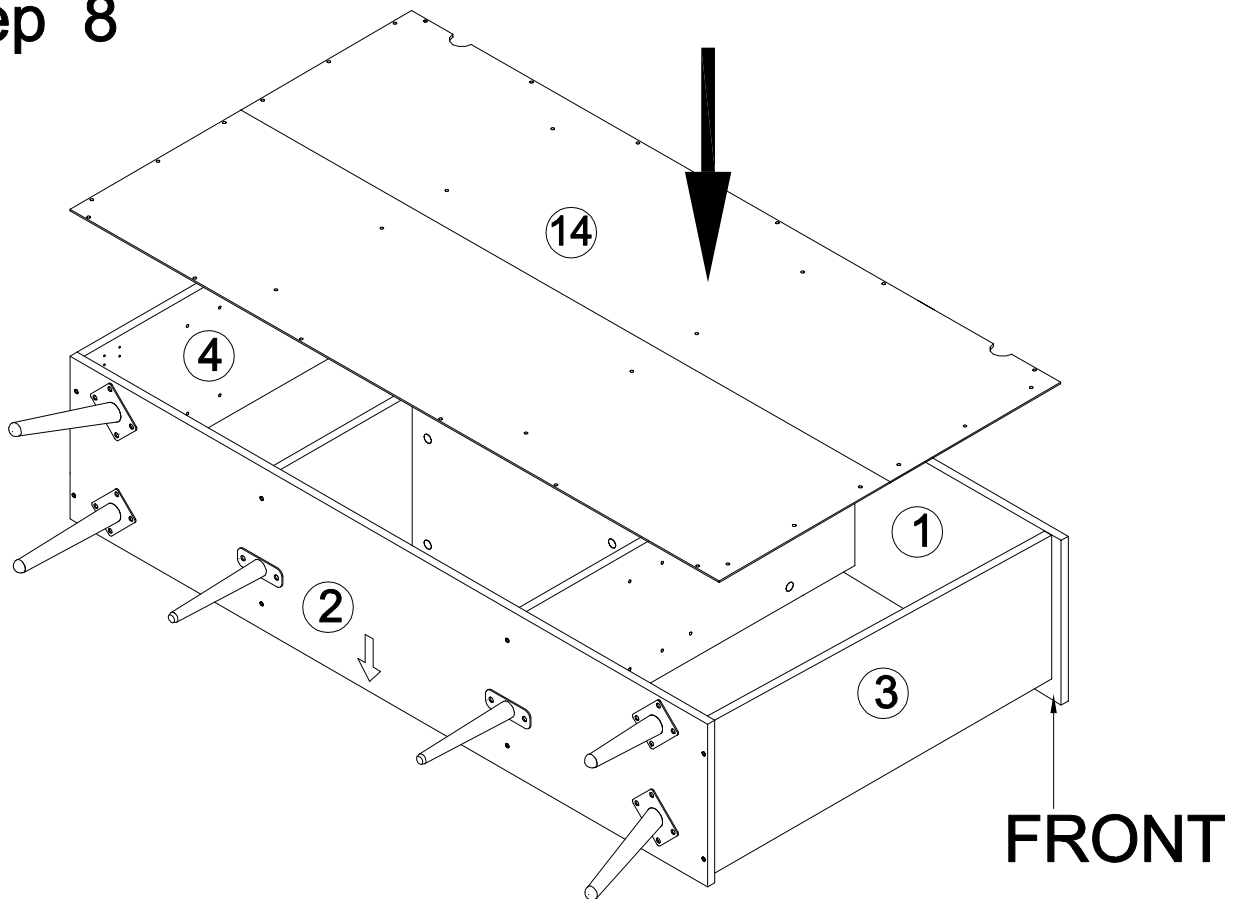


Step 7



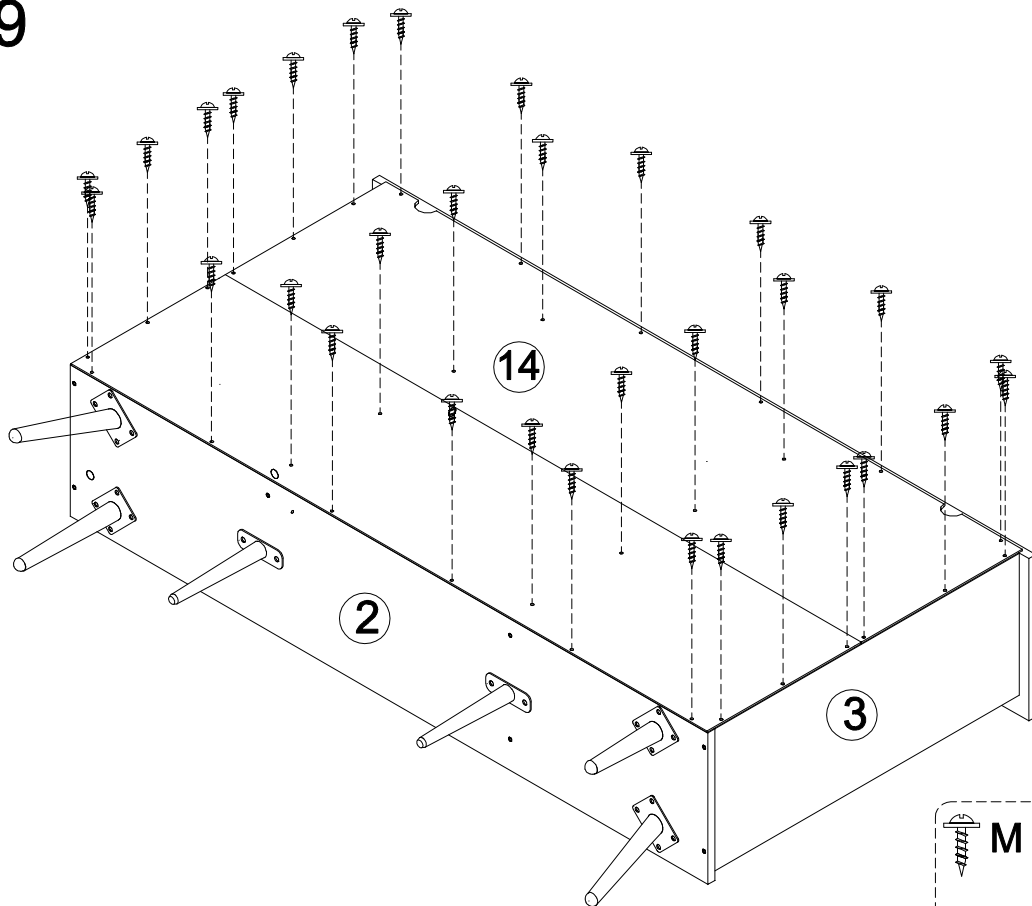
Turn over

Step 8



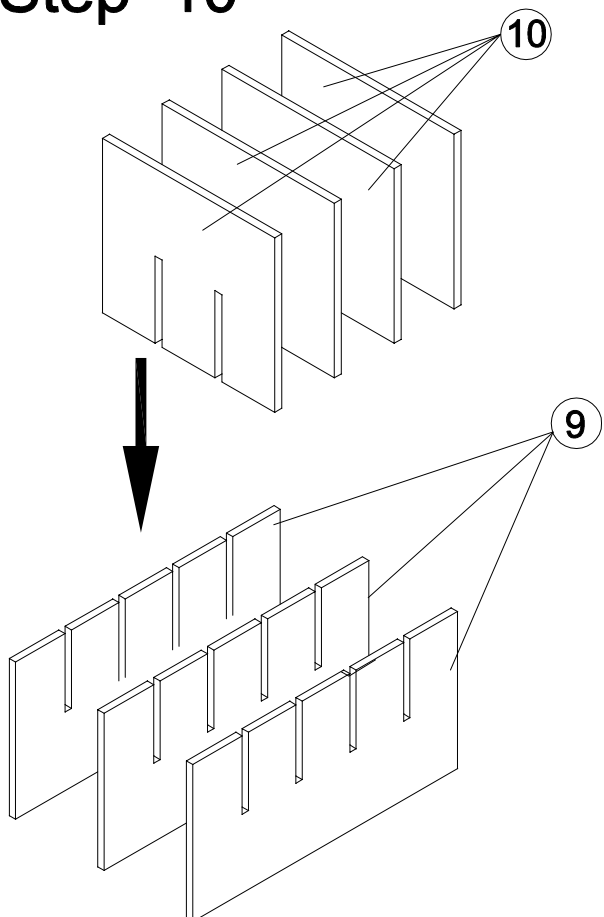
Step 9

M x 32
Ø3.5x12mm

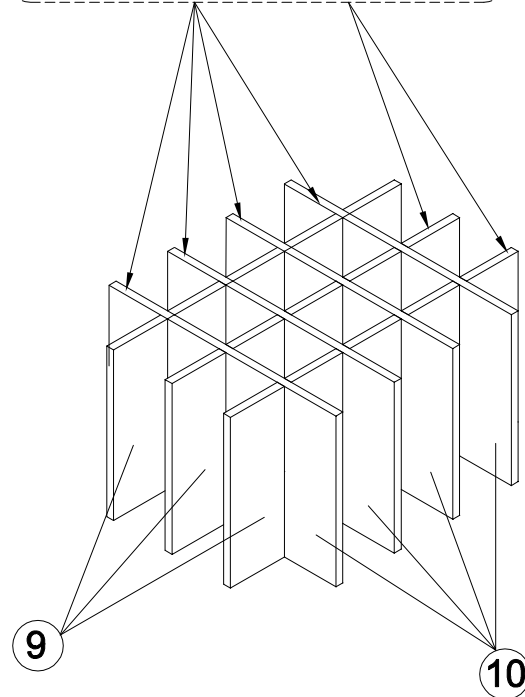


M
x32pcs

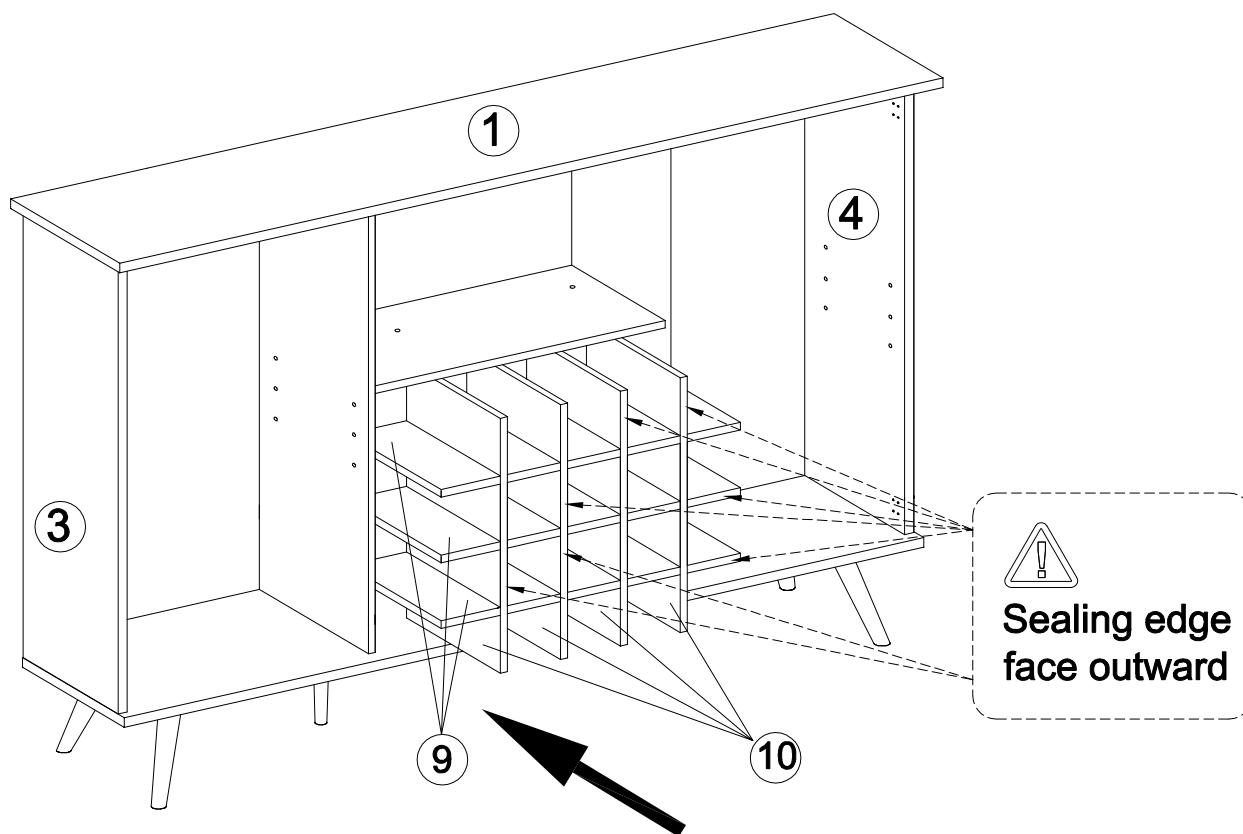
Step 10



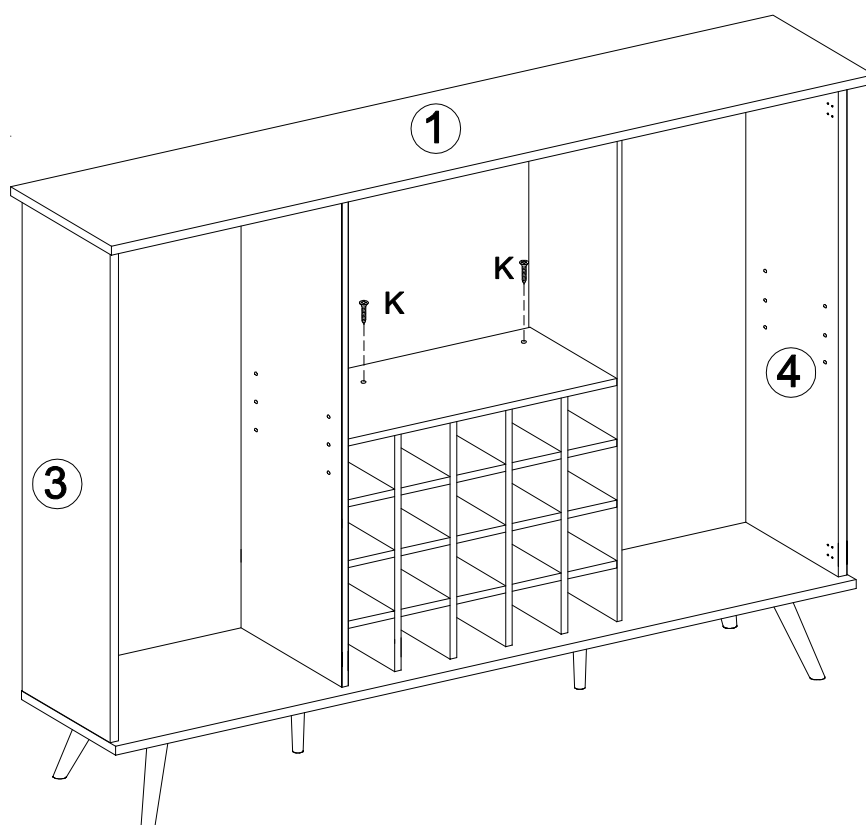
⚠ There is a sealing edge here



Step 11



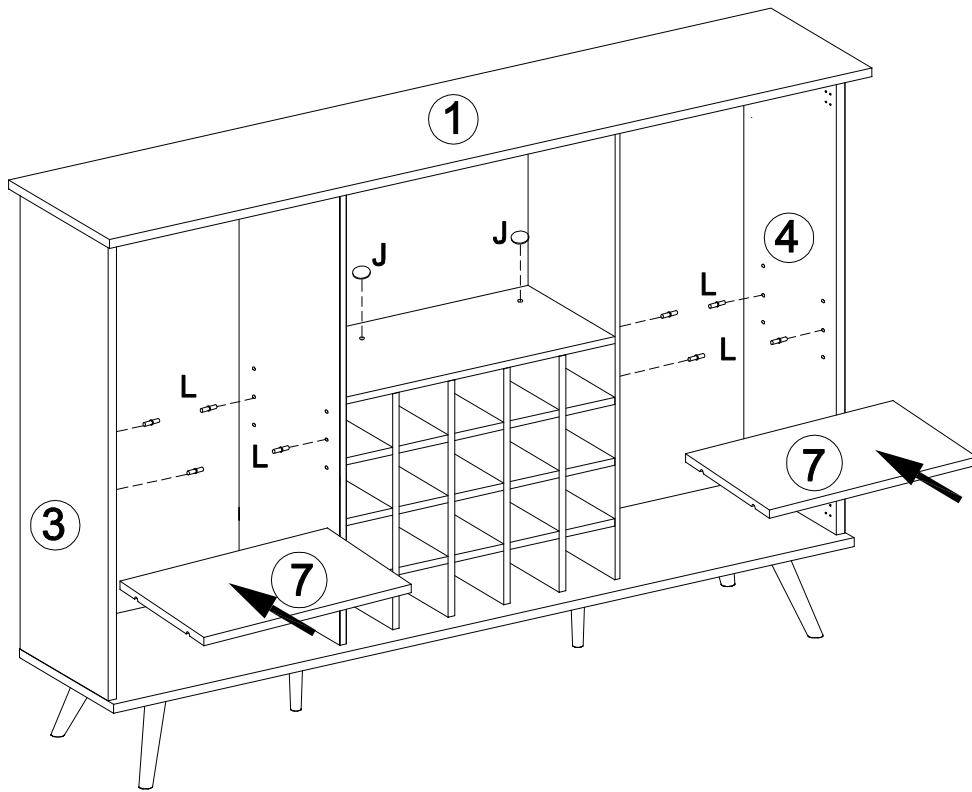
Step 12



Step 13

L x 8

J x 2



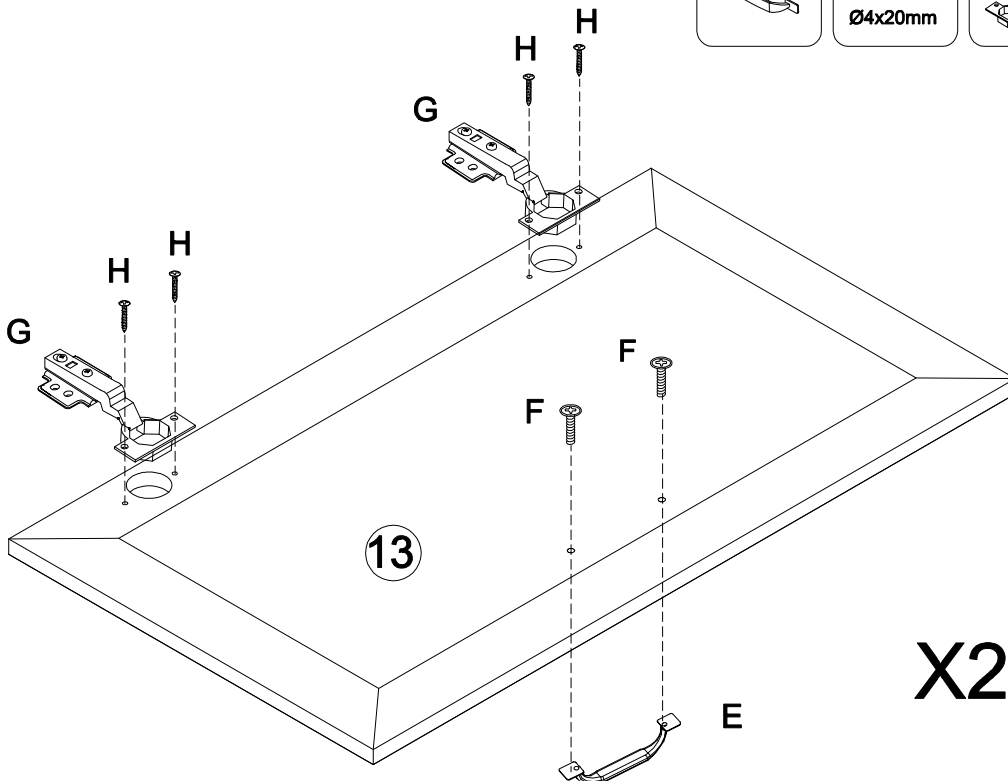
Step 14

E x 2

F x 4

G x 4

H x 8

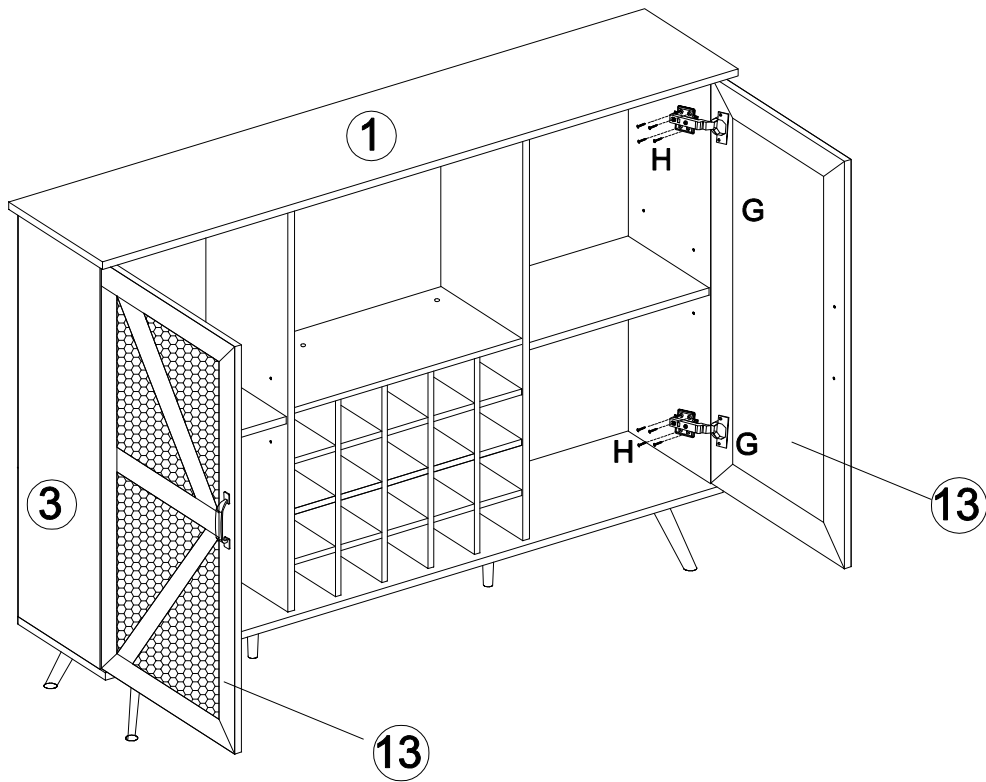


Step 15

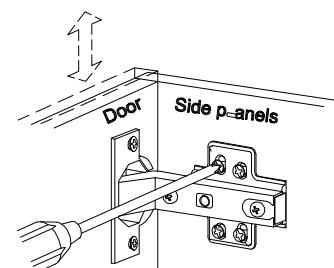
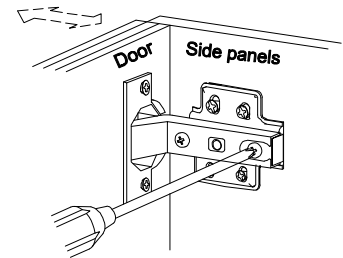
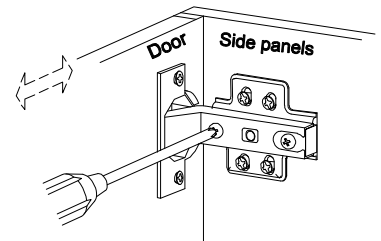
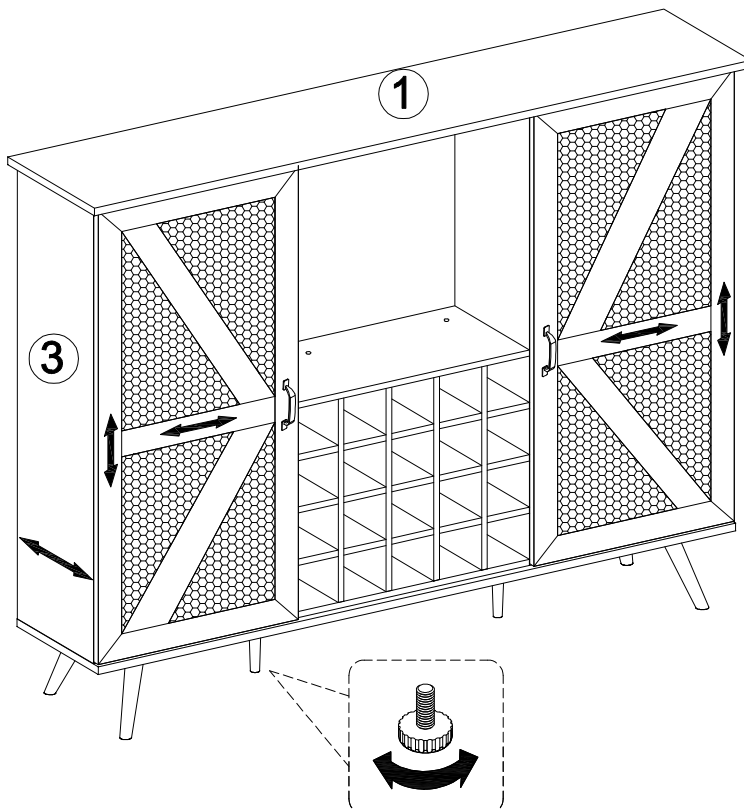
G x 4



H x 16

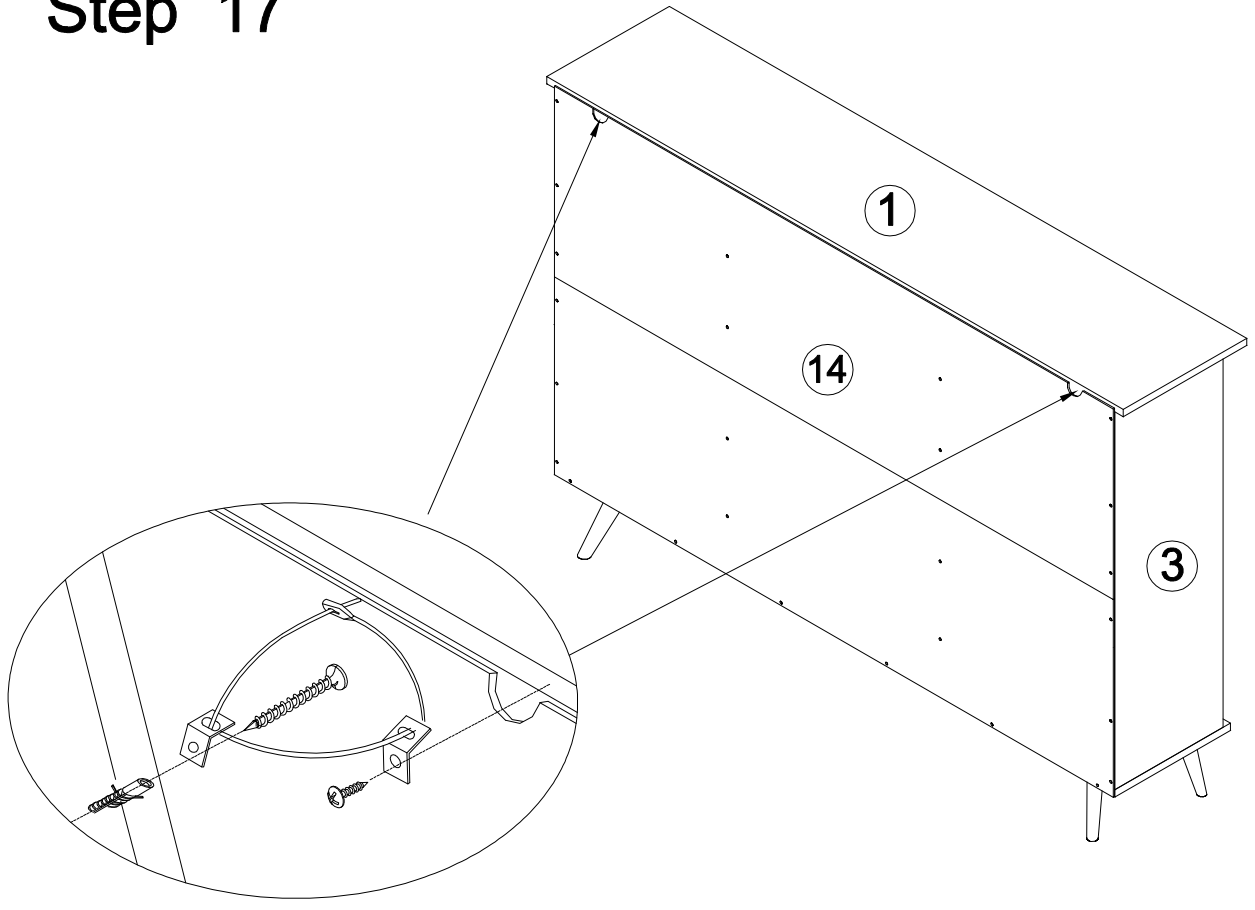


Step 16




Step 17

O x 2

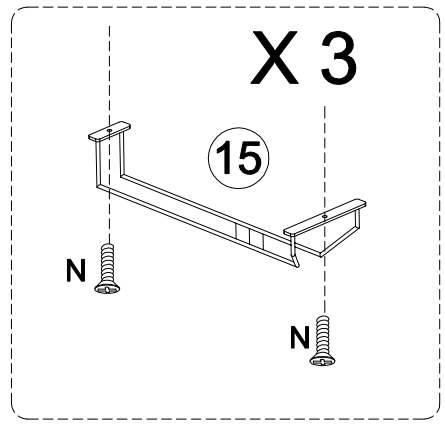
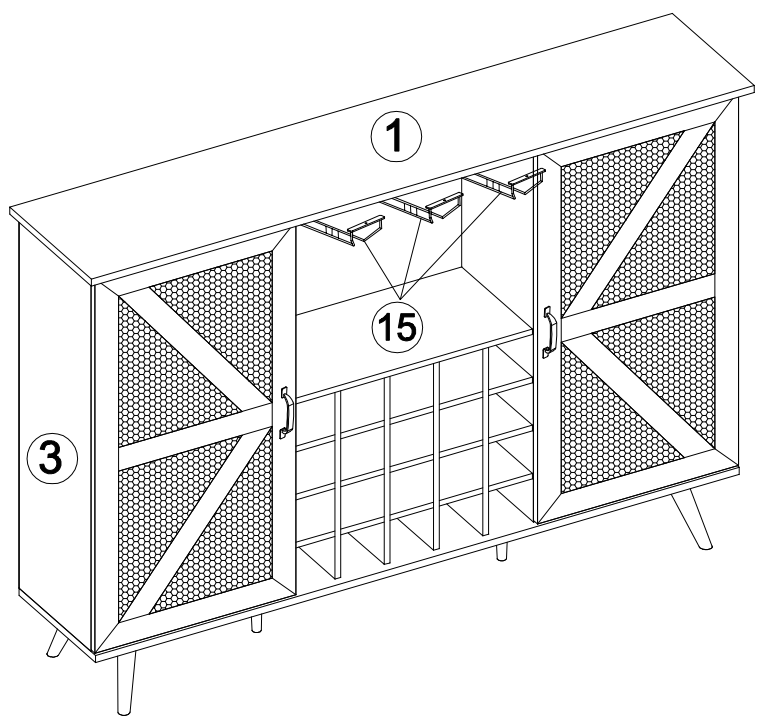


Step 18

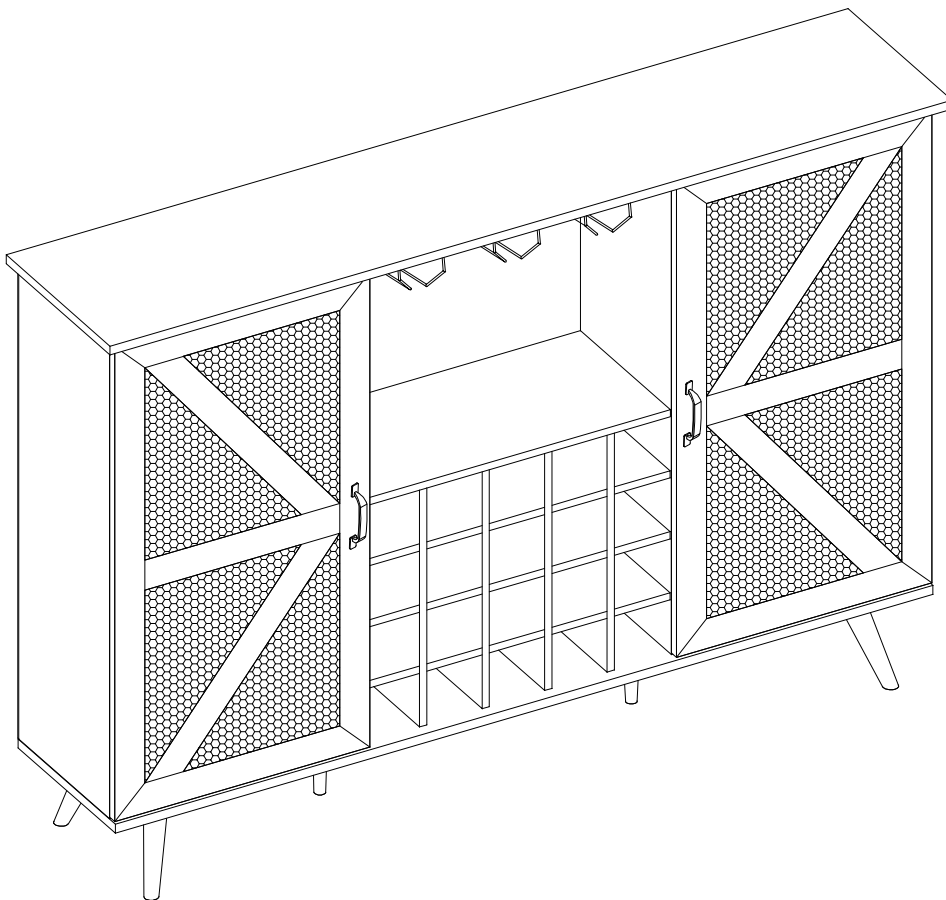
N x 6



M4x10mm



Step 19



Final Assembly