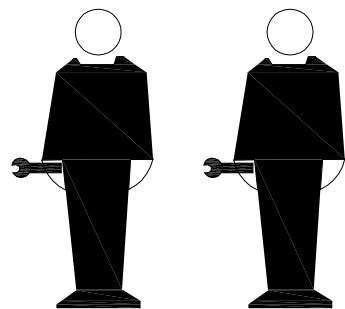
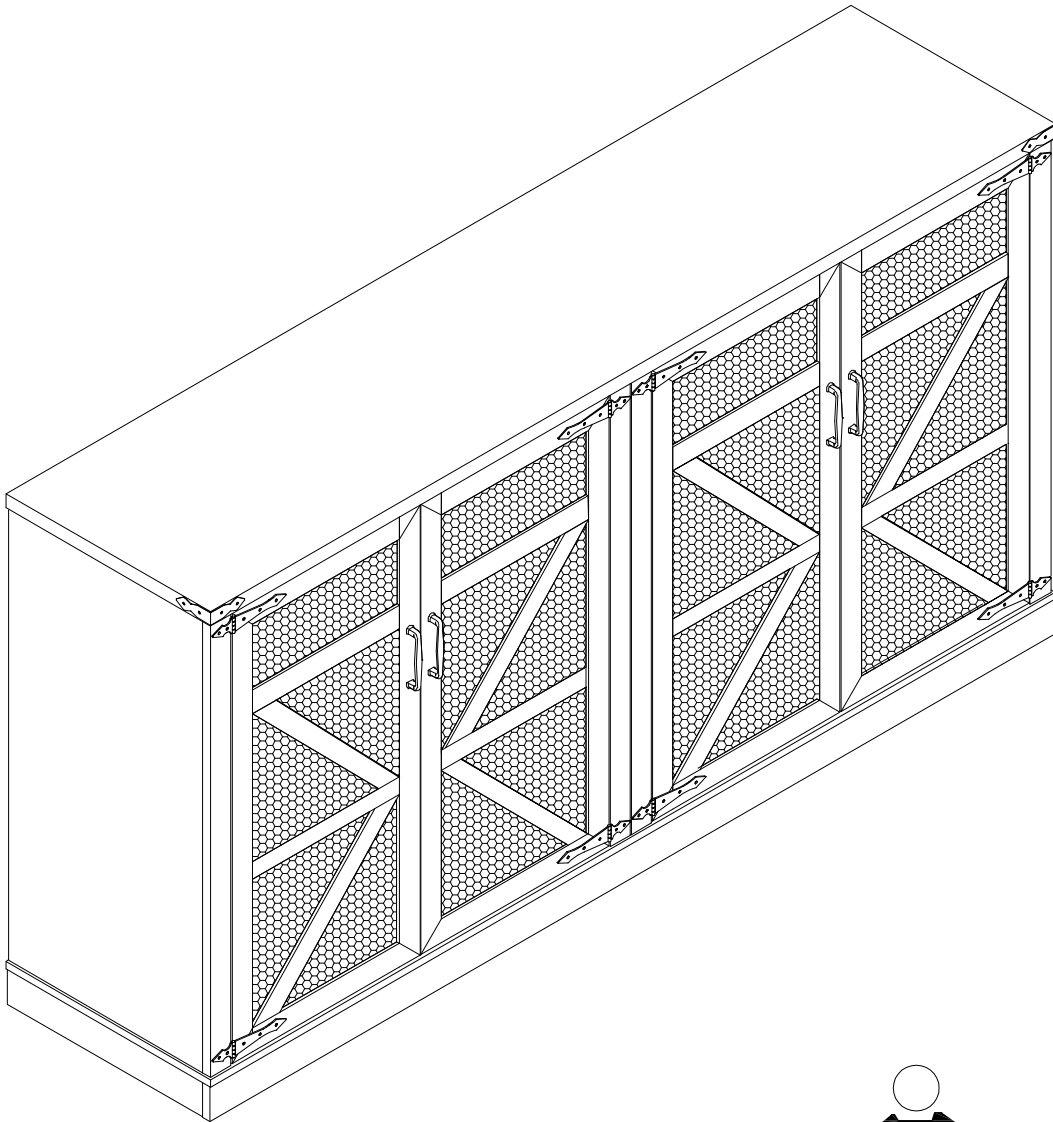


# ASSEMBLY INSTRUCTION

## MODEL#WF009

Thank you for purchasing the quality product. Be sure to check all packing material carefully for small parts which may have come loose inside the carton during shipment. Separate, identify and count all parts and metal hardware. Compare with all parts list to be sure all parts are present. If any part(s) are missing or damaged, please contact your local furniture dealer. For efficient and speedy service, please indicate the model number and code letter of part(s) needed.

**\*\*\*Do not fully tighten screws until fully assembled\*\*\***

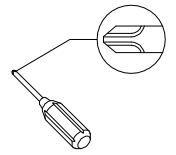


### **Attention:**

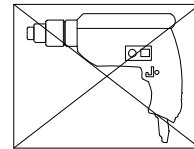
**\*\*\*Some number parts listed on the instruction sheet may not be in parts bag as they may already be assembled. Carefully check parts and packing materials prior to ordering replacements.**

# General Assembly Guidelines

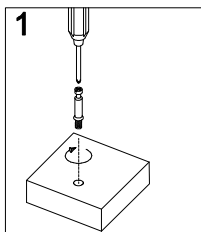
- I. Ensure that all parts and hardware are available before beginning assembly.
- II. Follow each step carefully to ensure the proper assembly of this product.
- III. Two people are recommended for ease in the assembly of this product.
- IV. The three main types of hardware used to assemble this product are: wood dowels, screws and bolts.
- V. A Phillips head screwdriver is required for the assembly of this product.



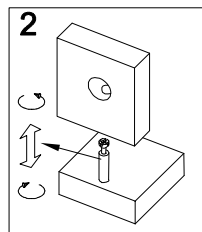
- VI. Power tools should not be used to assemble this product.



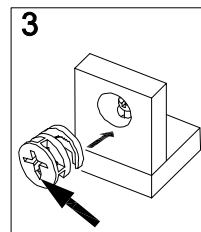
## VII. Cam bolt and Cam lock Assembly instruction.



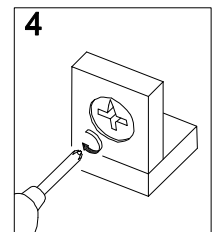
1  
Cam bolt  
vertical installation.



2  
Cam bolt is  
adjustable

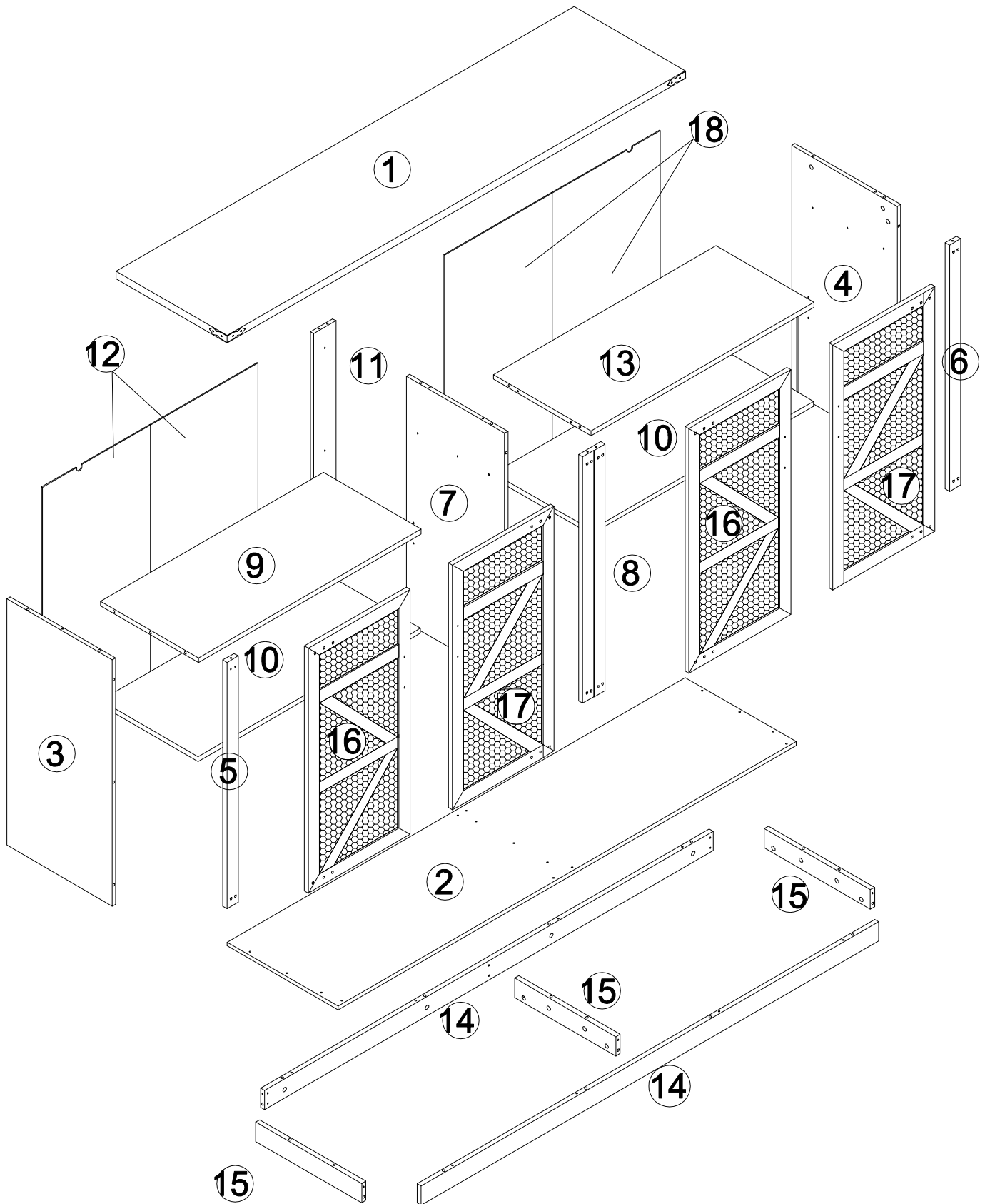


3  
Cam lock  
the arrow is towards  
the Cam bolt


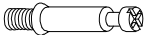


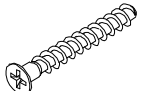
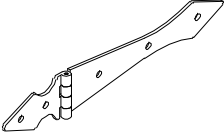
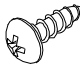



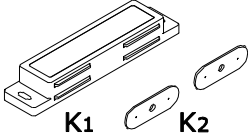

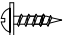


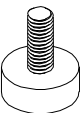


4  
180°  
Ensure locking

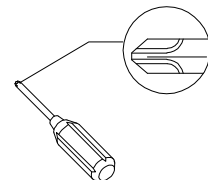
# COMPONENT PARTS



# Hardware List

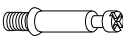
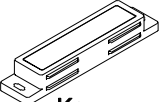

<p><b>A x 43</b></p>  <p><b>Ø15 x 9.5 mm</b></p>	<p><b>B x 43</b></p> 	<p><b>C x 43</b></p> 	<p><b>D x 32</b></p>  <p><b>Ø6 x30 mm</b></p>
<p><b>E x 13</b></p>  <p><b>Ø5 x50 mm</b></p>	<p><b>F x 8</b></p> 	<p><b>G x 40</b></p>  <p><b>Ø3.5 x 12</b></p>	<p><b>H x 4</b></p> 
<p><b>I x 8</b></p>  <p><b>M4 x 20</b></p>	<p><b>J x 8</b></p>  <p><b>Ø5 x 15</b></p>	<p><b>K x 2</b></p>  <p><b>K1 K2</b></p>	<p><b>L x 4</b></p>  <p><b>Ø3 x 12</b></p>
<p><b>M x 40</b></p>  <p><b>M3.5x12mm</b></p>	<p><b>N x 4</b></p>  <p><b>Ø3 x 16</b></p>	<p><b>O x 2</b></p> 	<p><b>P x 7</b></p> 

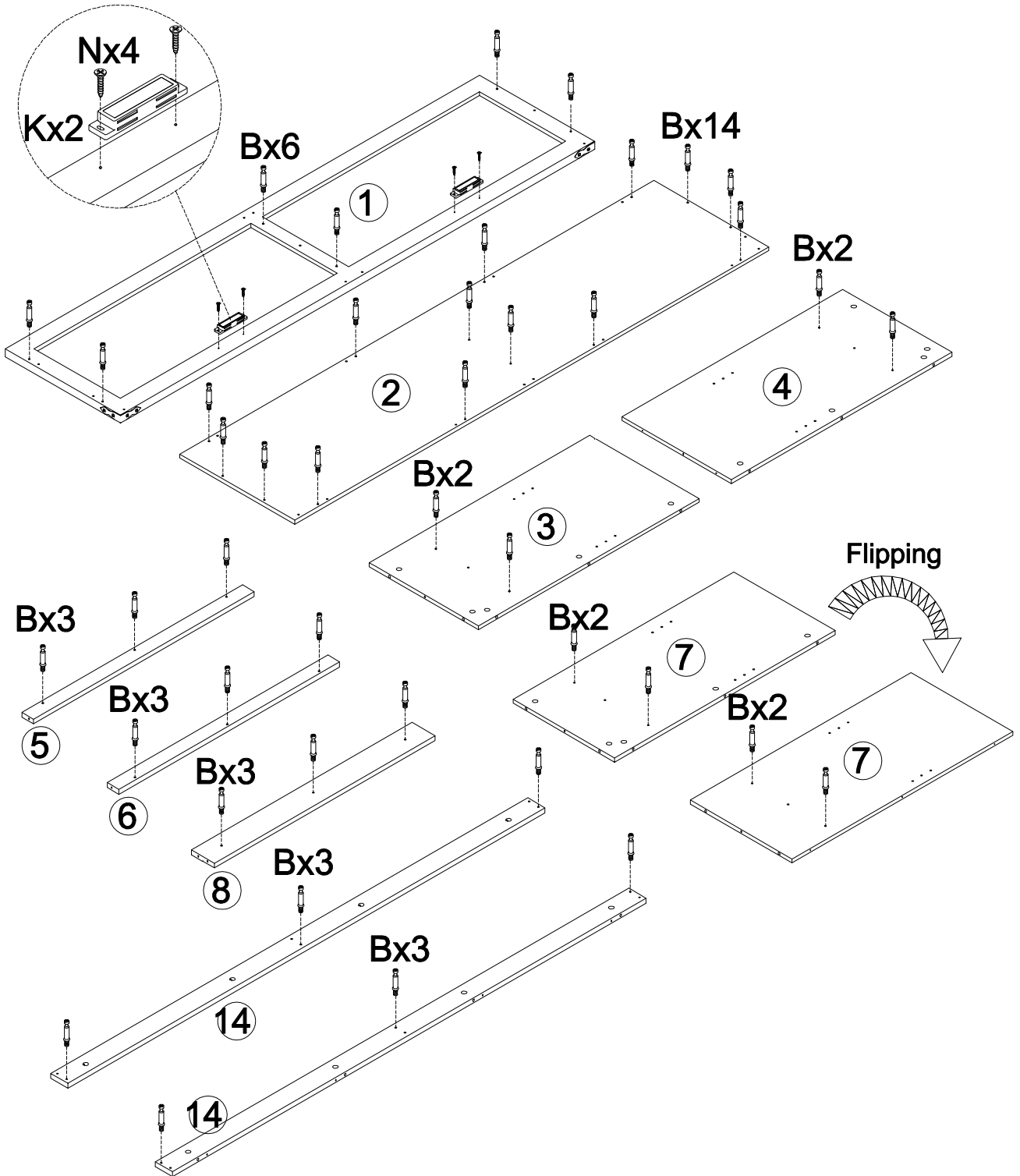
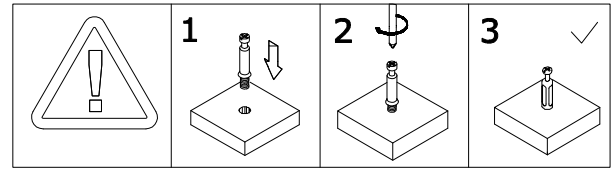
Philips head screwdriver required for assembly  
(not included)



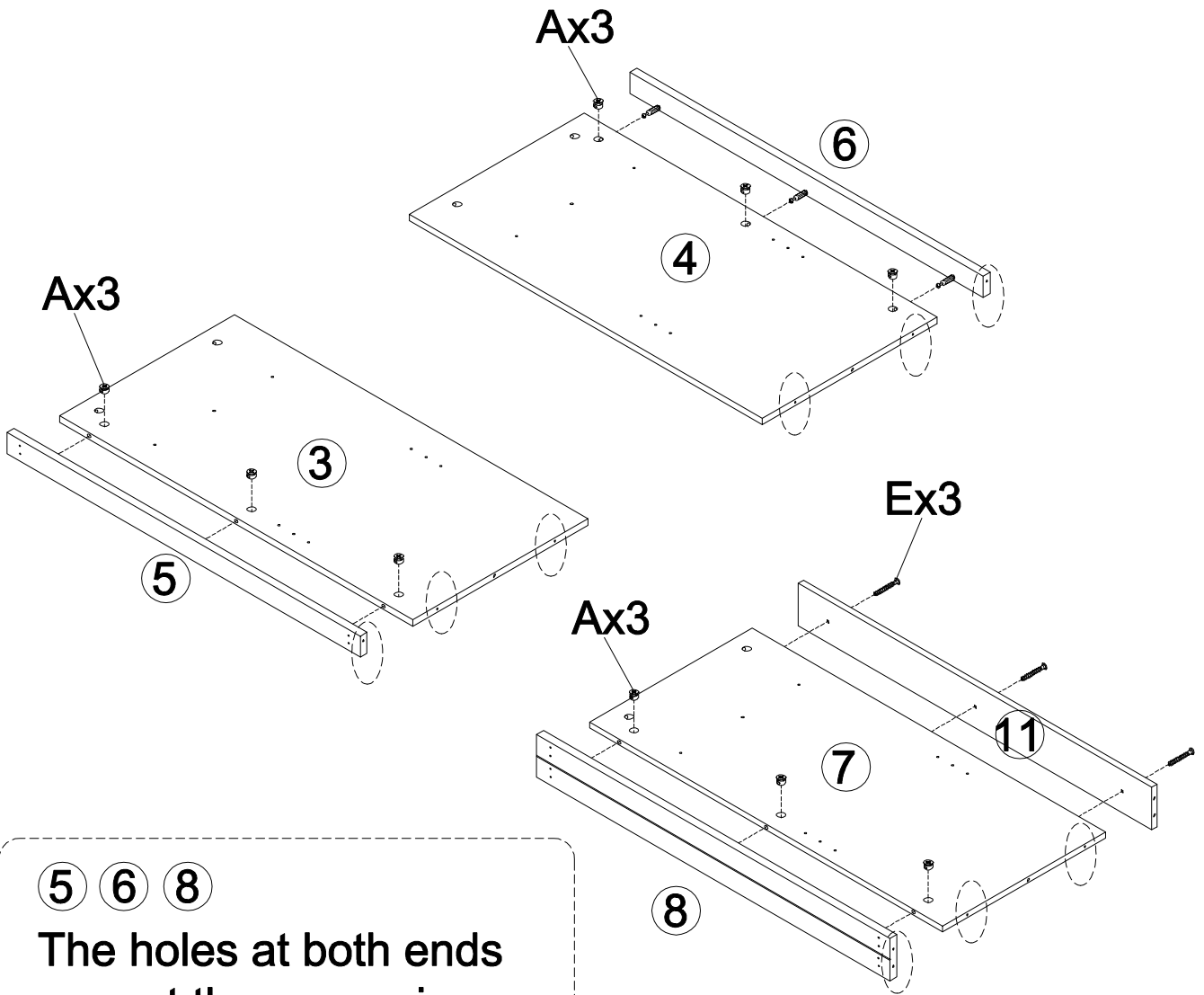
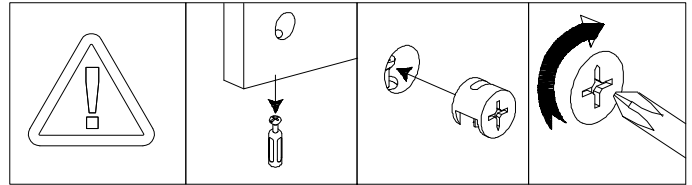
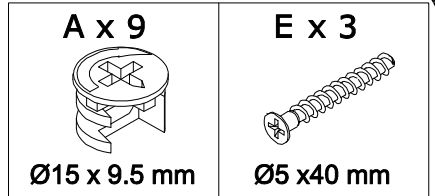
*The hardware quantities listed above are required for proper assembly.  
Some extra hardware may also have been included.*

# Step 1


<b>B x 43</b> 	<b>K x 2</b>  K1	<b>N x 4</b>  Ø3 x 16
---	---	--




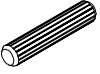
# Step 2

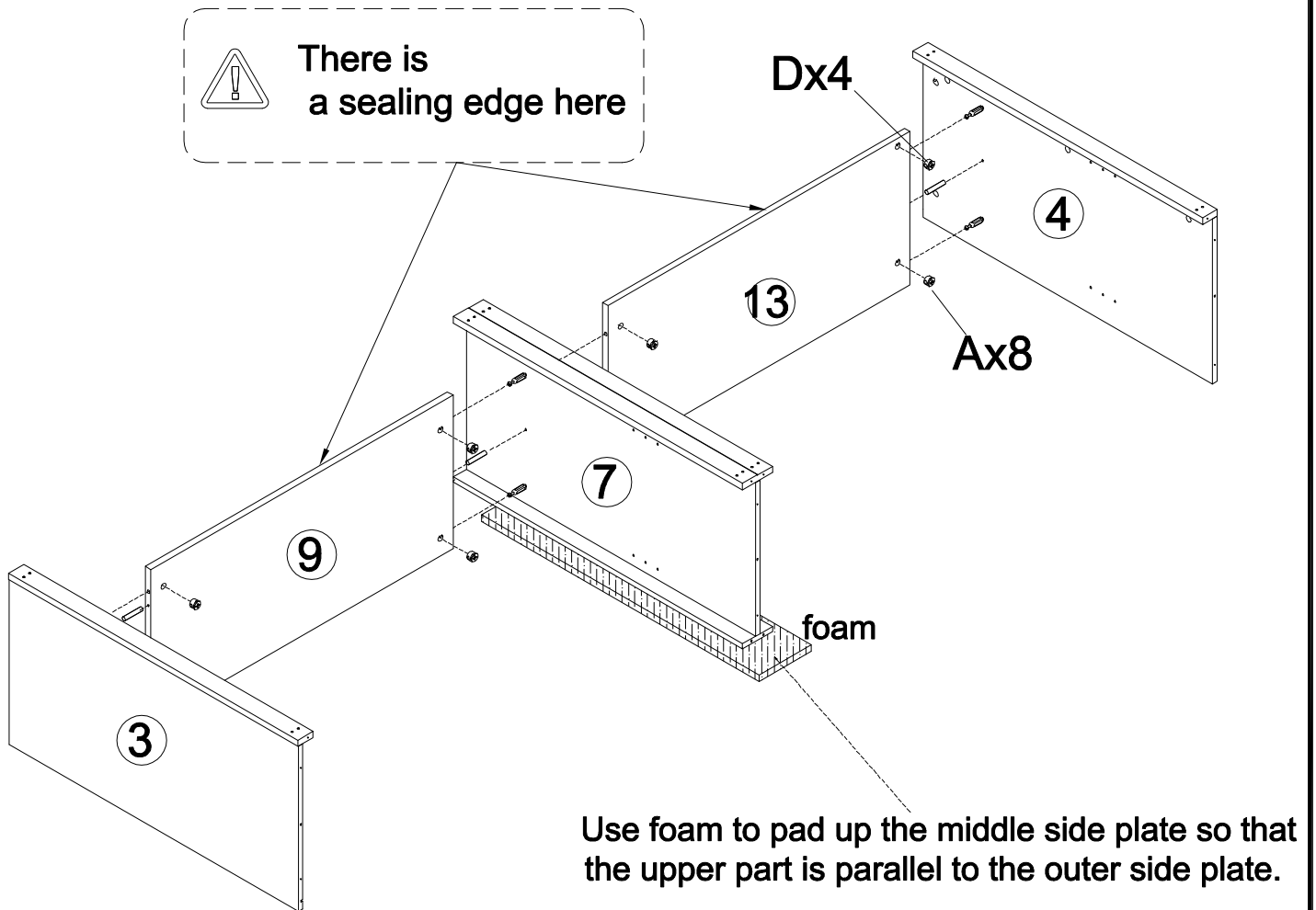
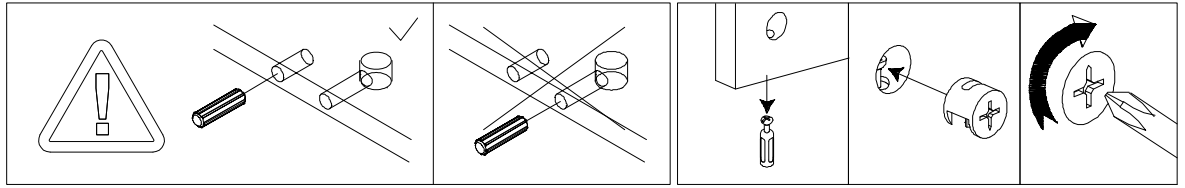


5 6 8  
The holes at both ends  
are not the same size

  
Ensure that the **smaller** holes  
at both ends face downwards,  
otherwise the installation will fail

# Step 3

<b>A x 8</b>  Ø15 x 9.5 mm	<b>D x 4</b>  Ø6 x 30 mm
---	---



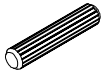
# Step 4

A x 6

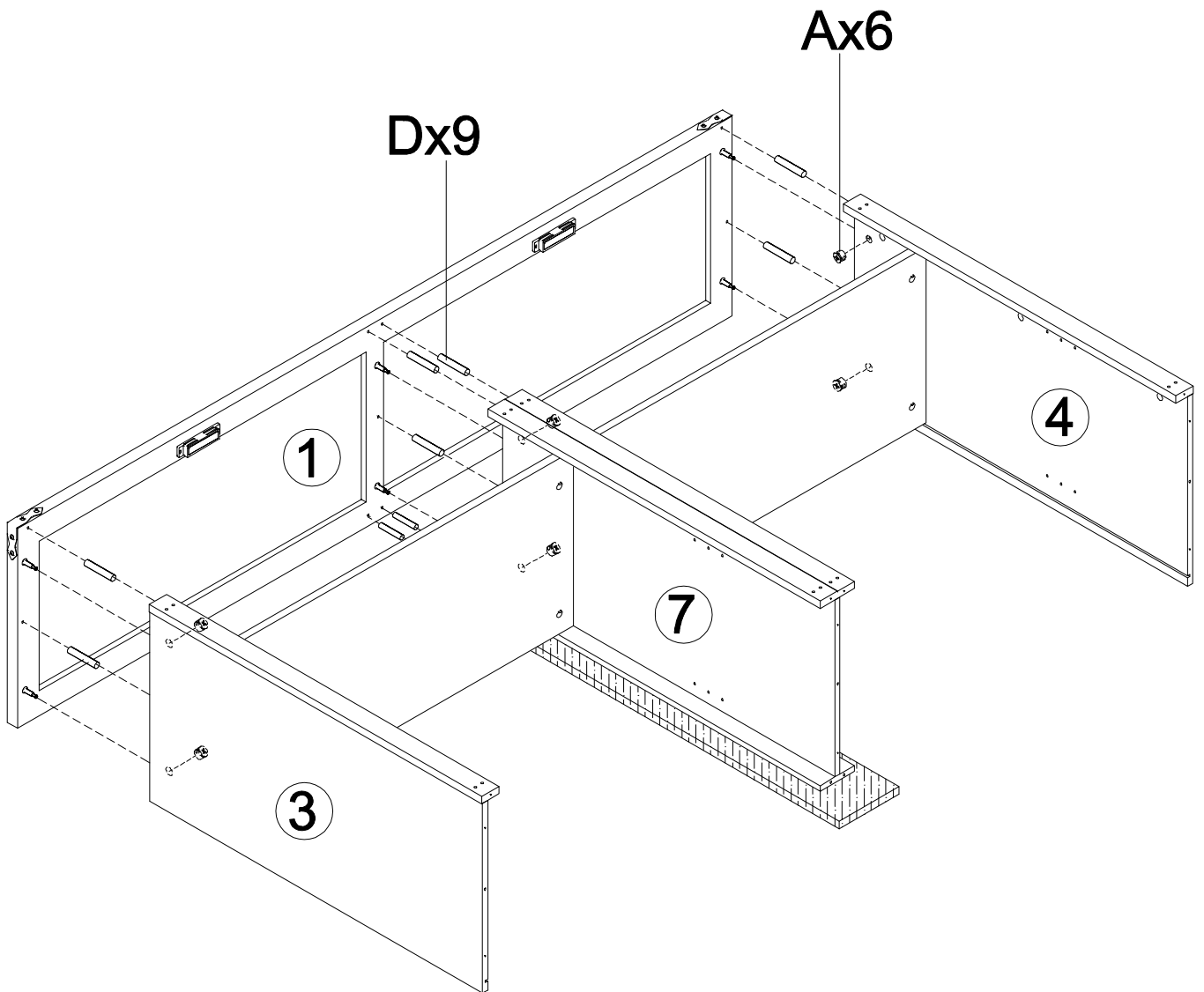
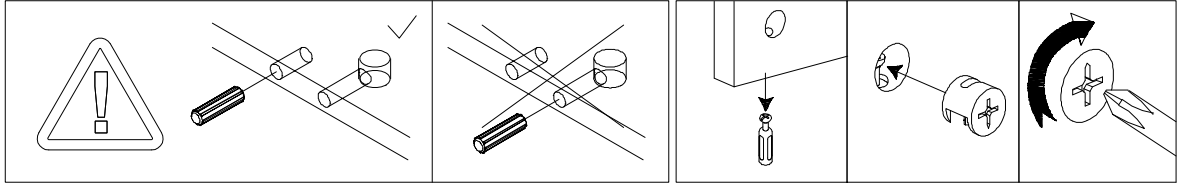


Ø15 x 9.5 mm

D x 9



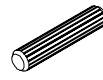
Ø6 x 30 mm





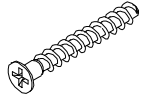
# Step 5

D x 5

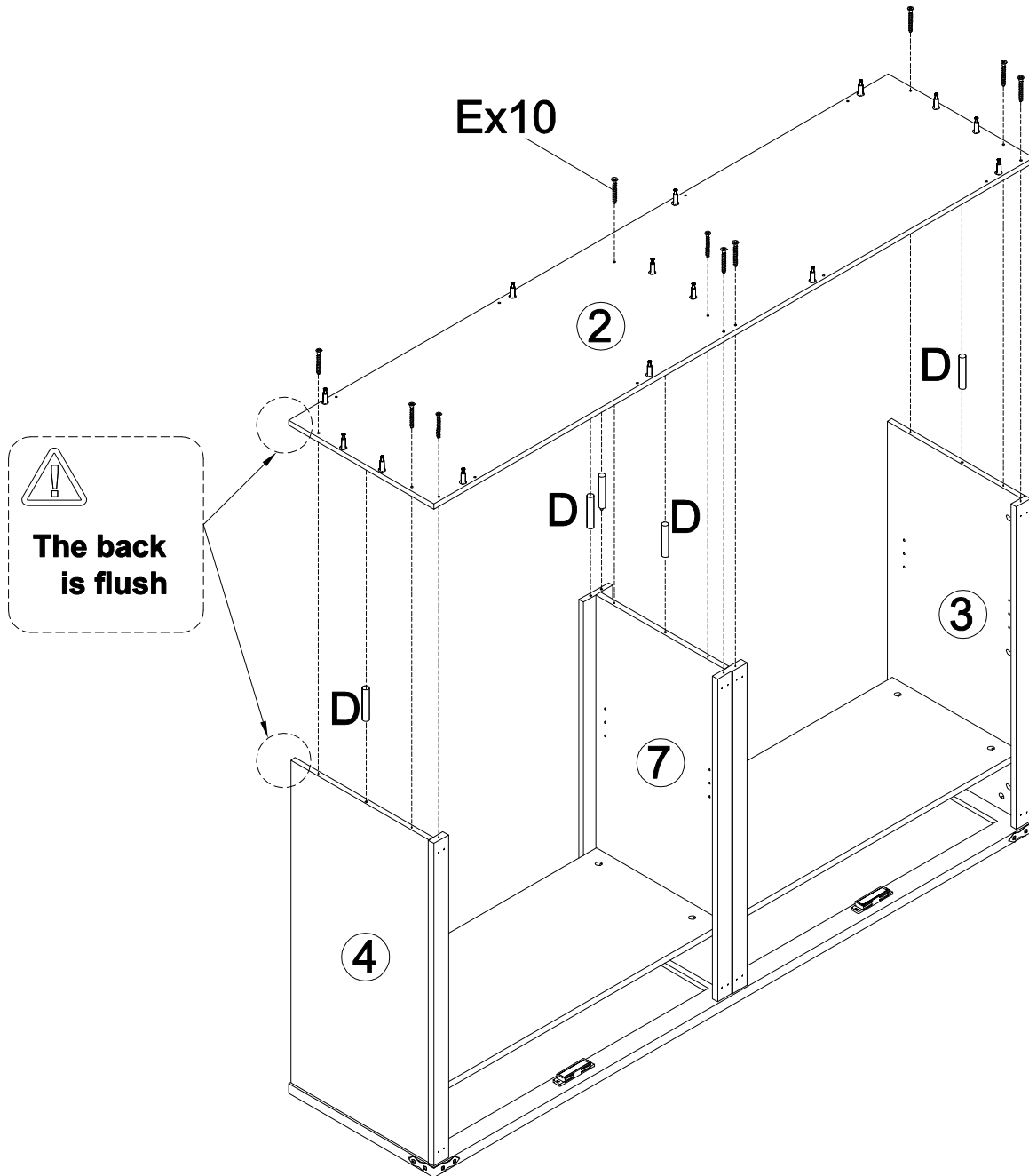


Ø6 x30 mm


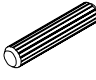
E x 10

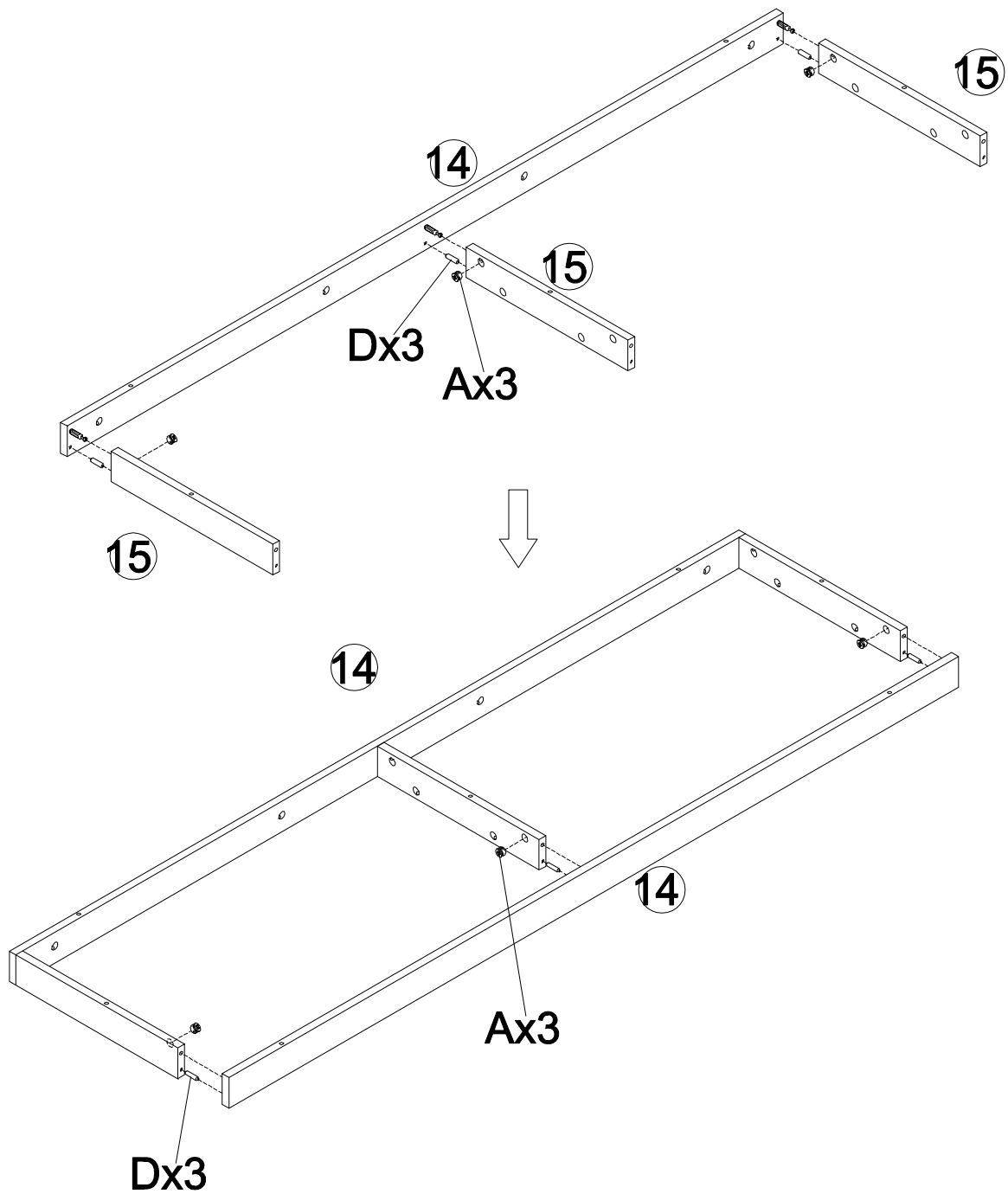
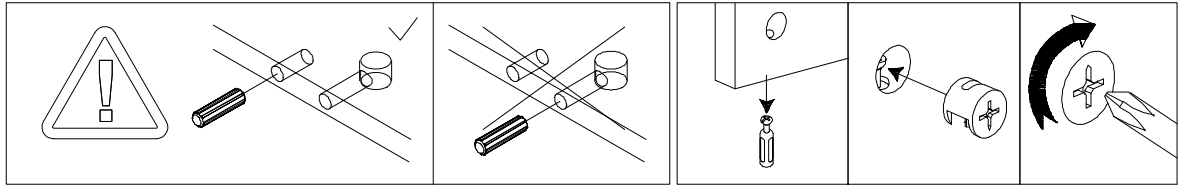


Ø5 x40 mm



# Step 6

<b>A x 6</b>  Ø15 x 9.5 mm	<b>D x 6</b>  Ø6 x 30 mm
---	---



# Step 7

A x 14



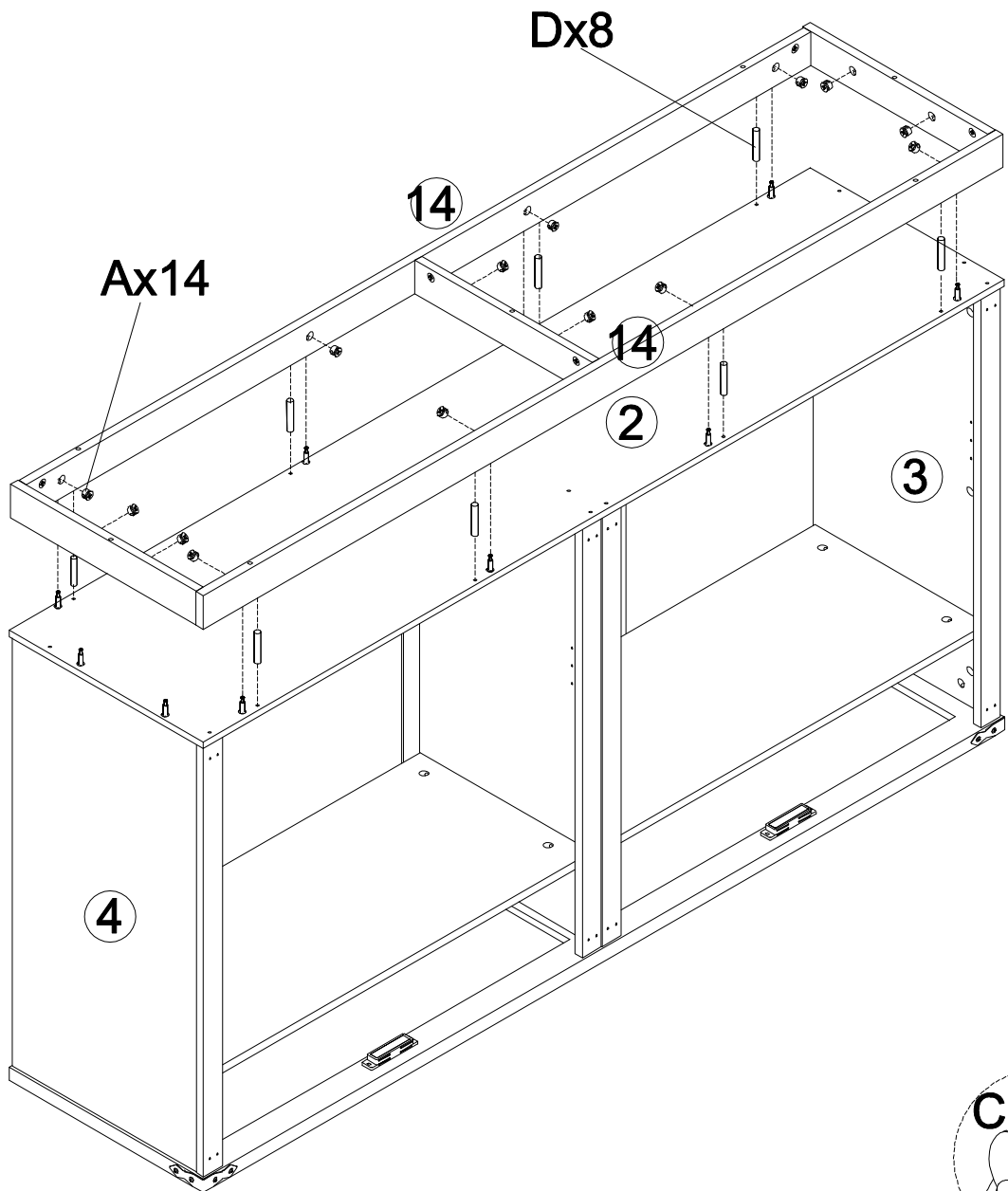
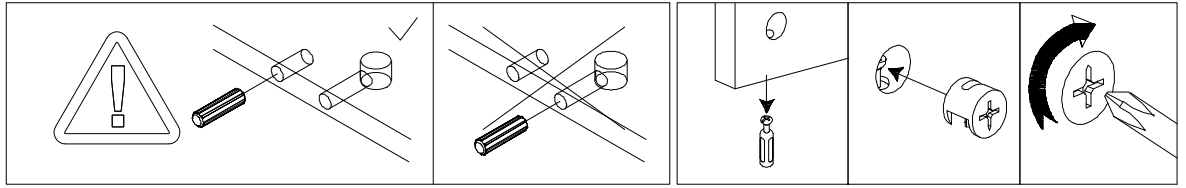
Ø15 x 9.5 mm

D x 8

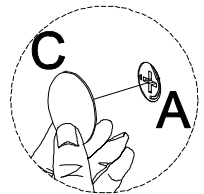


Ø6 x30 mm

C x 43

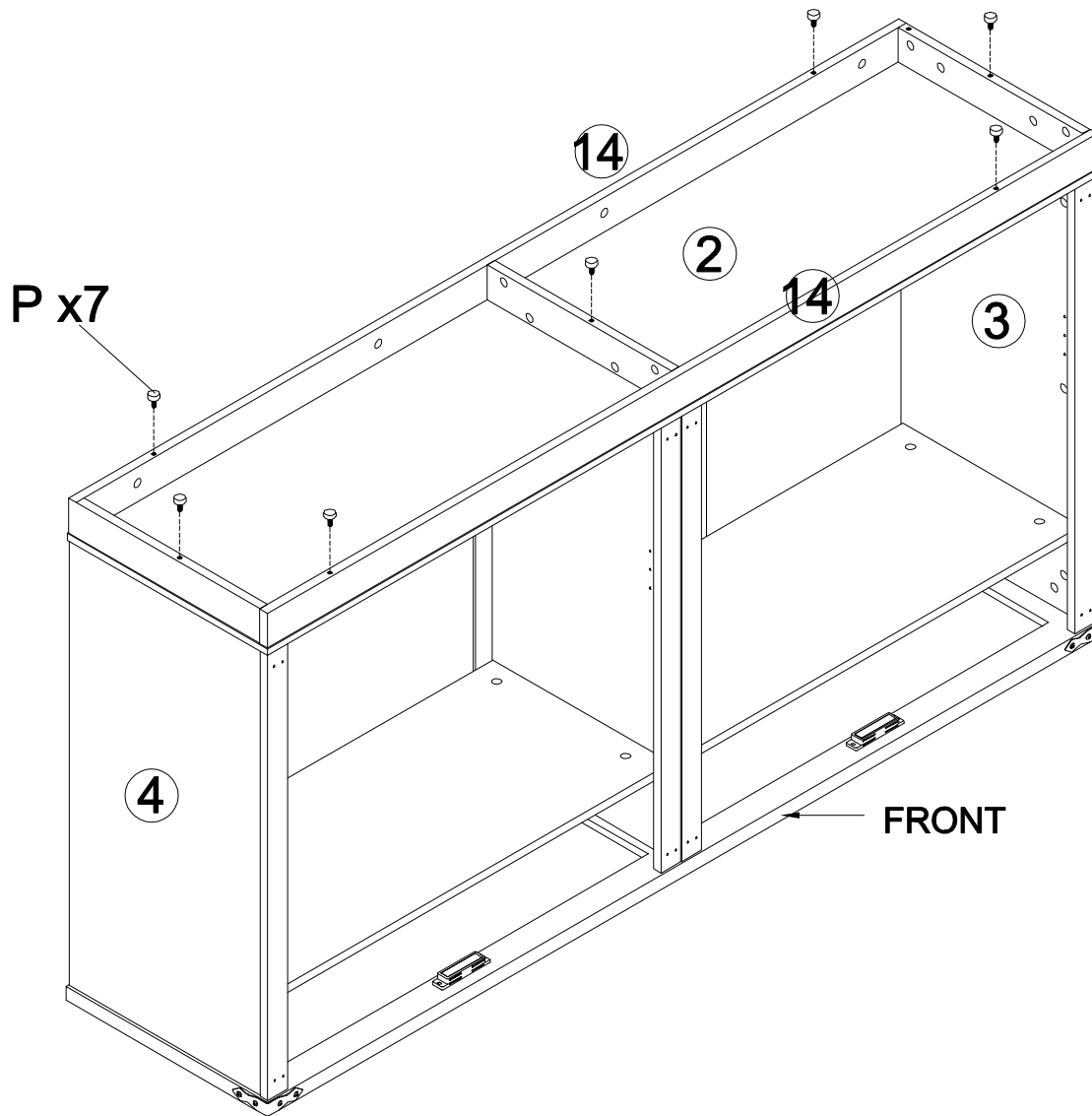
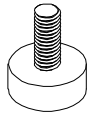


Tighten the three in one and apply the sticker (C) to the hole.



# Step 8

P x 7



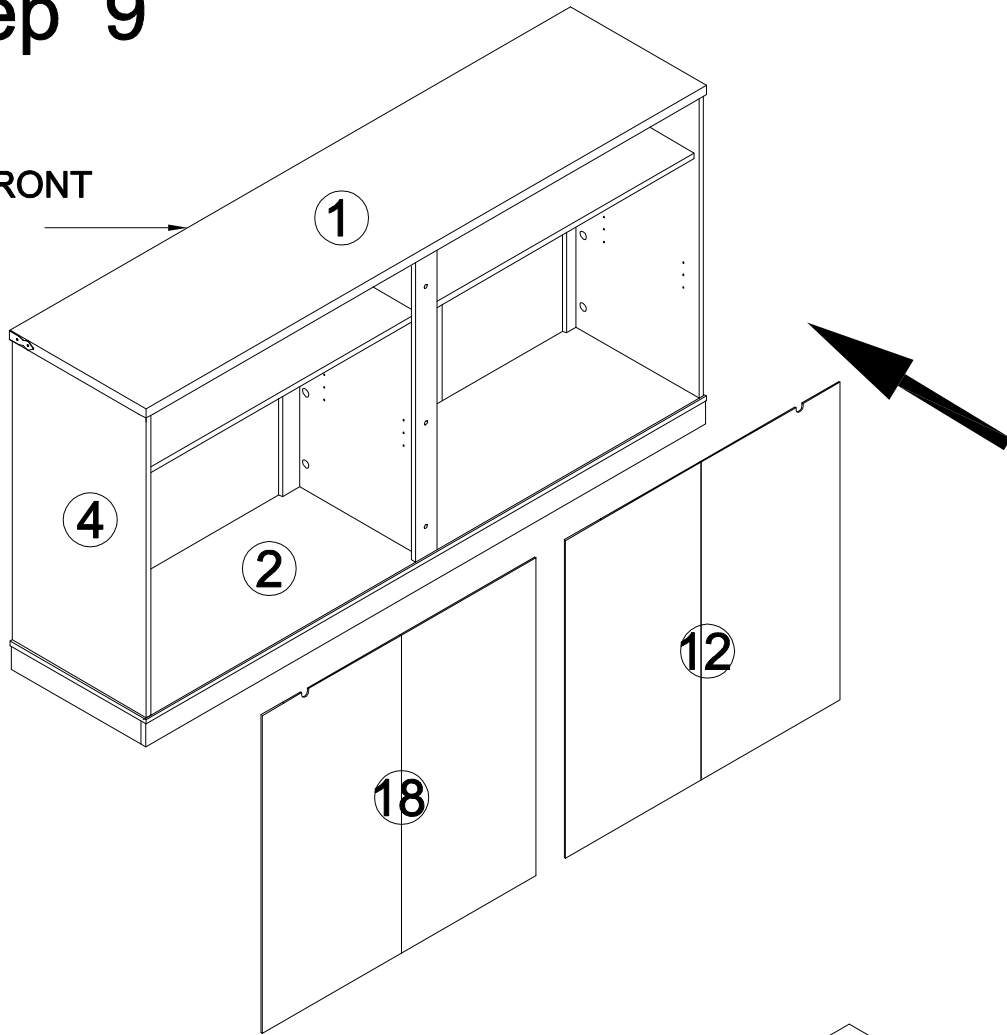
# Step 9

M x 40

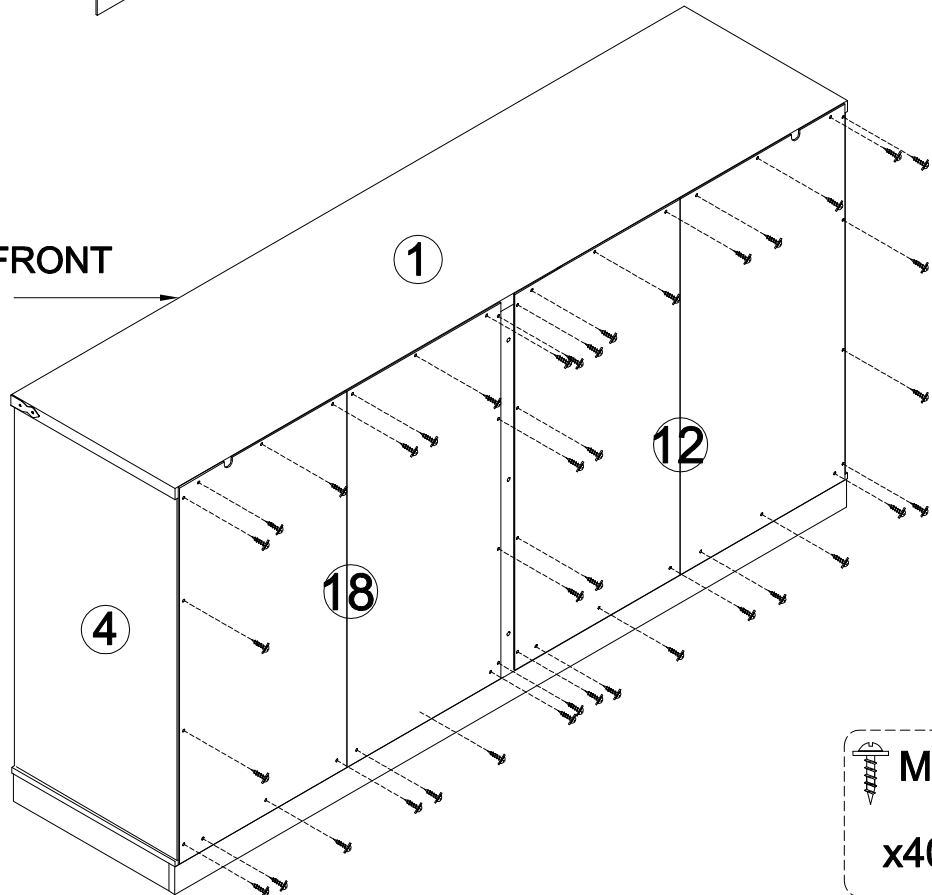


M3.5x12mm

FRONT



FRONT

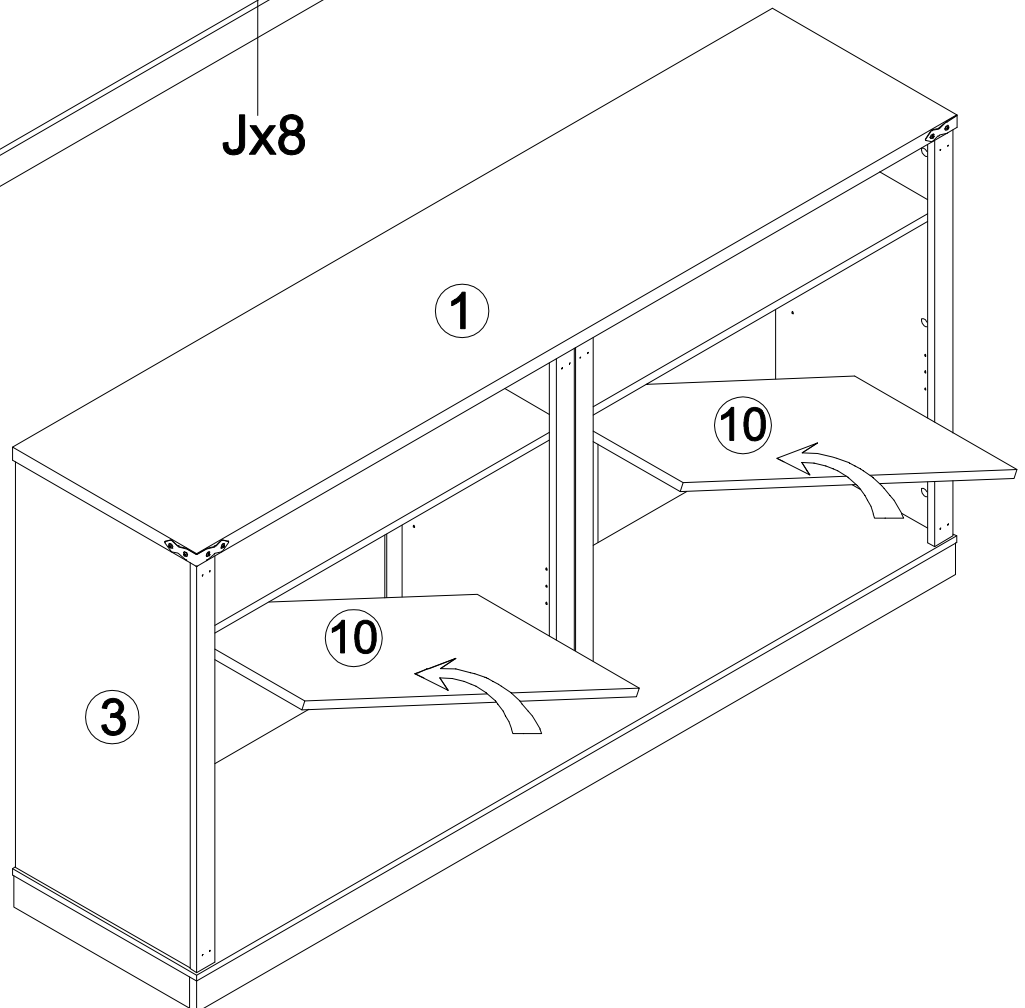
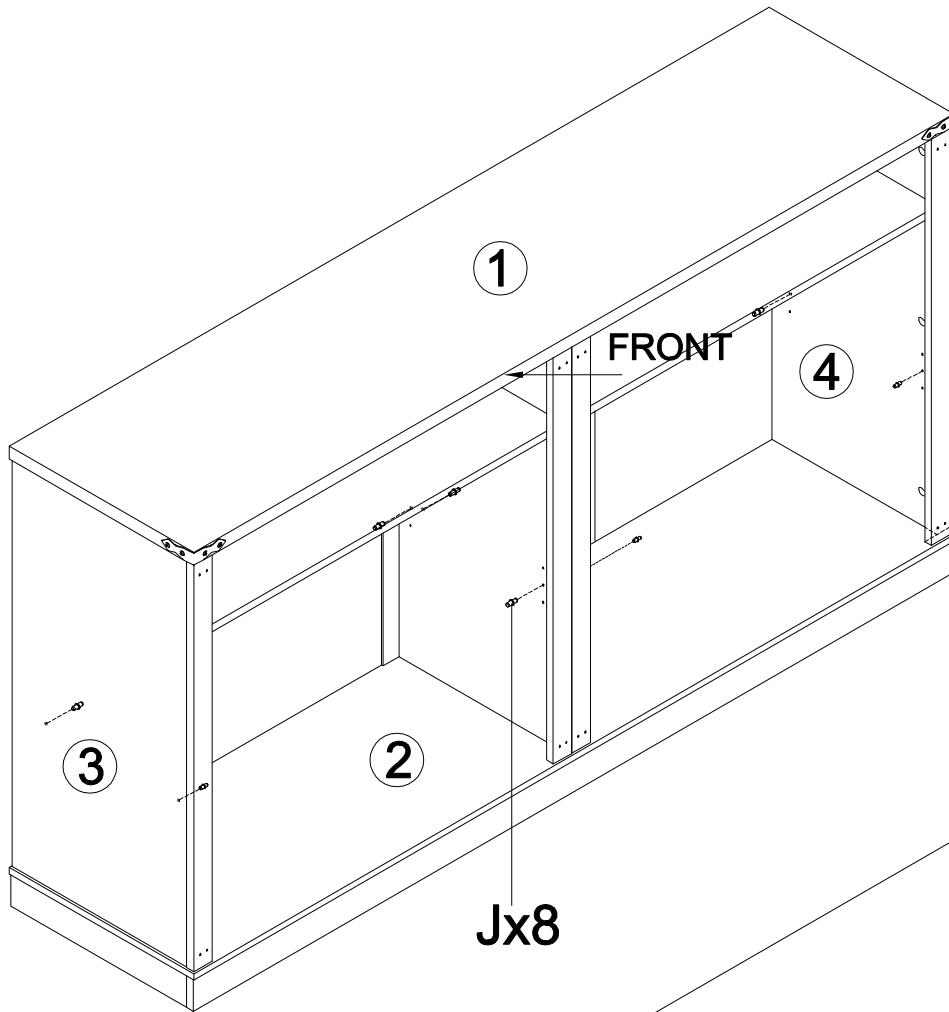


M

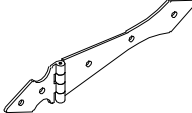
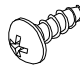




x40pcs

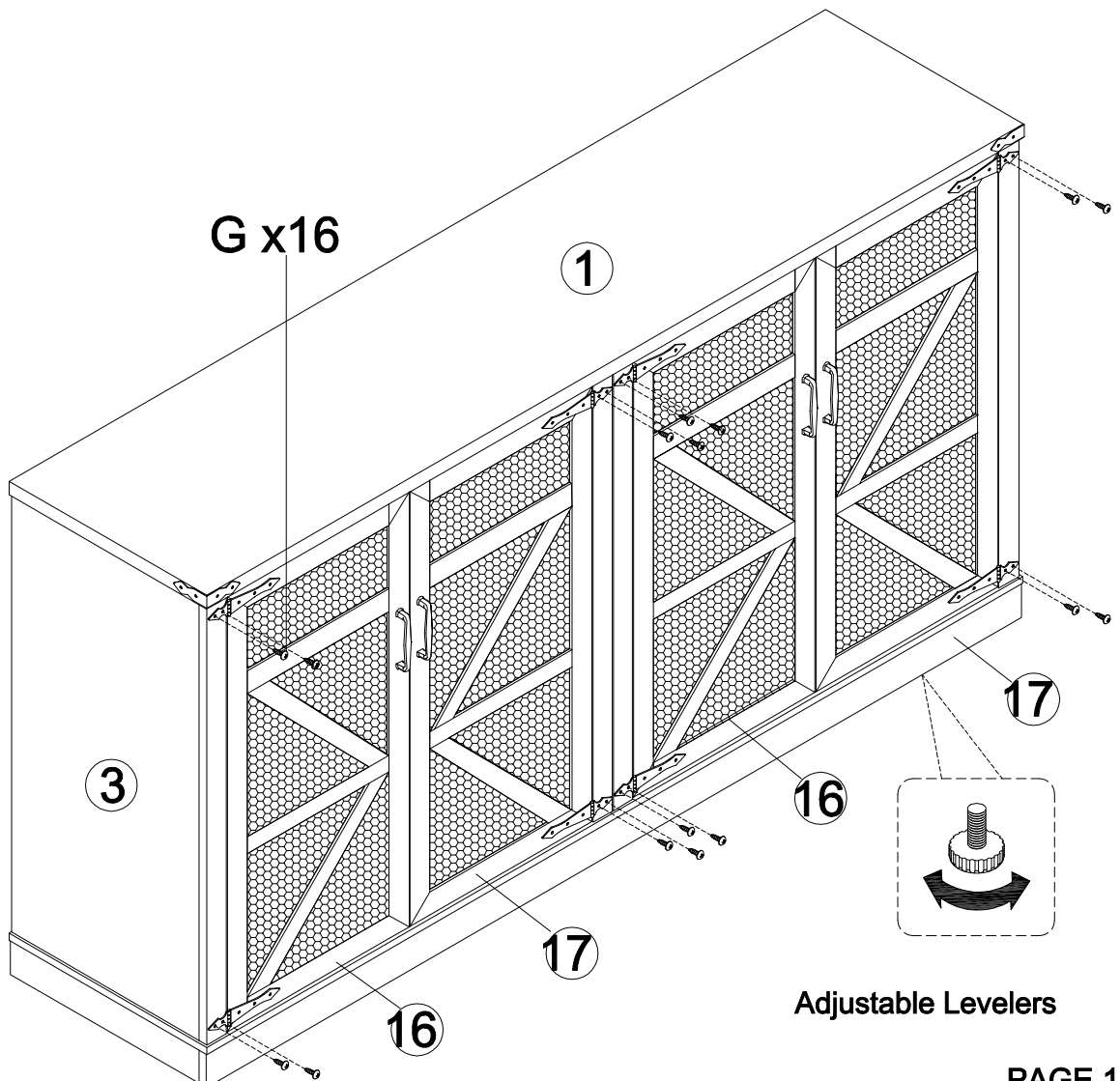
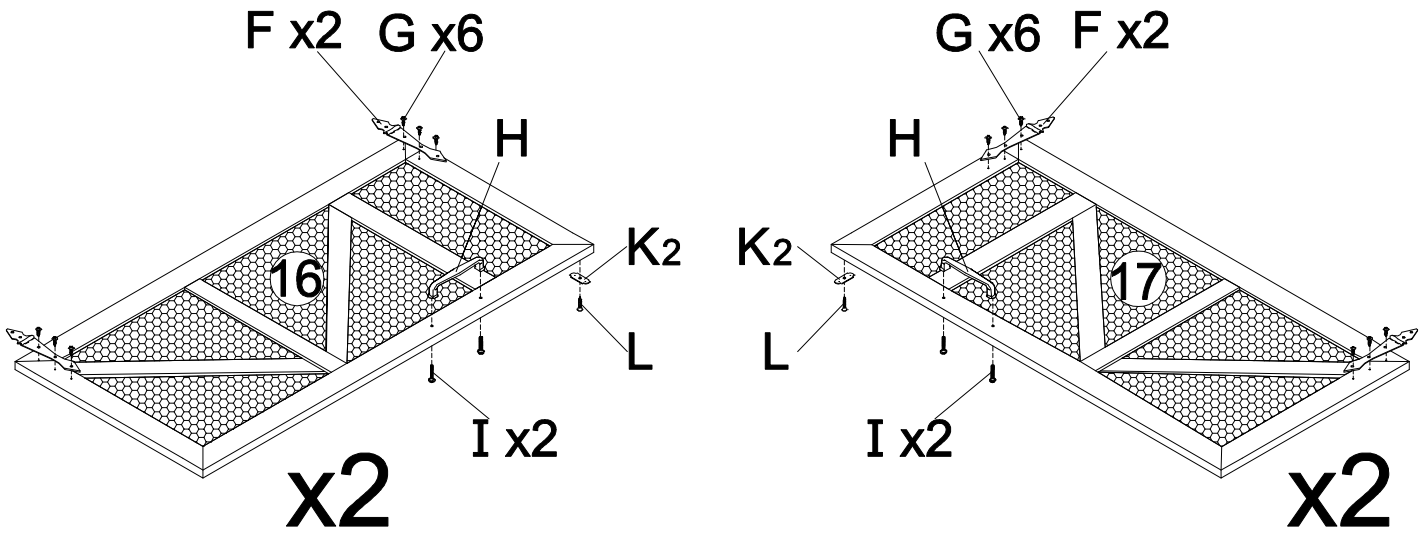
# Step 10

J x 8



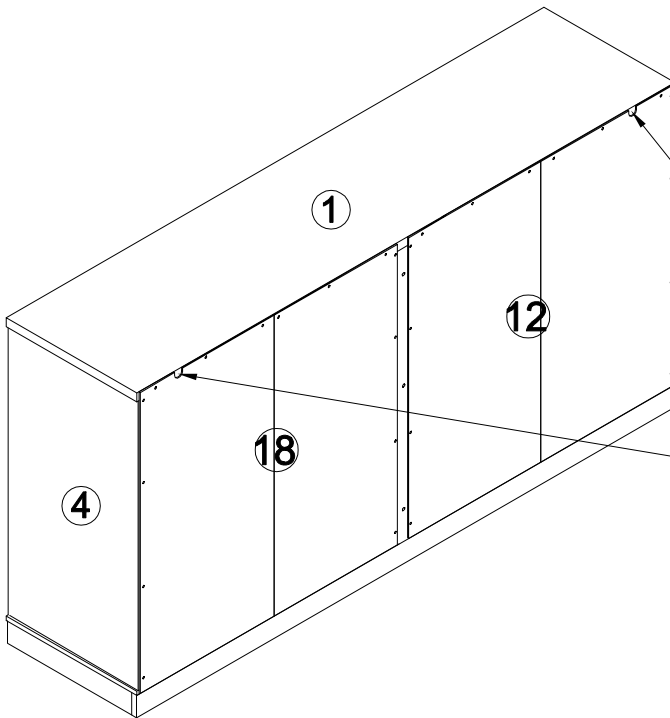
# Step 11

F x 8 	G x 40 	H x 4 	I x 8 M4 x 20 	K2 x 4 K2 	L x 4 
--	---	---	---	---	--

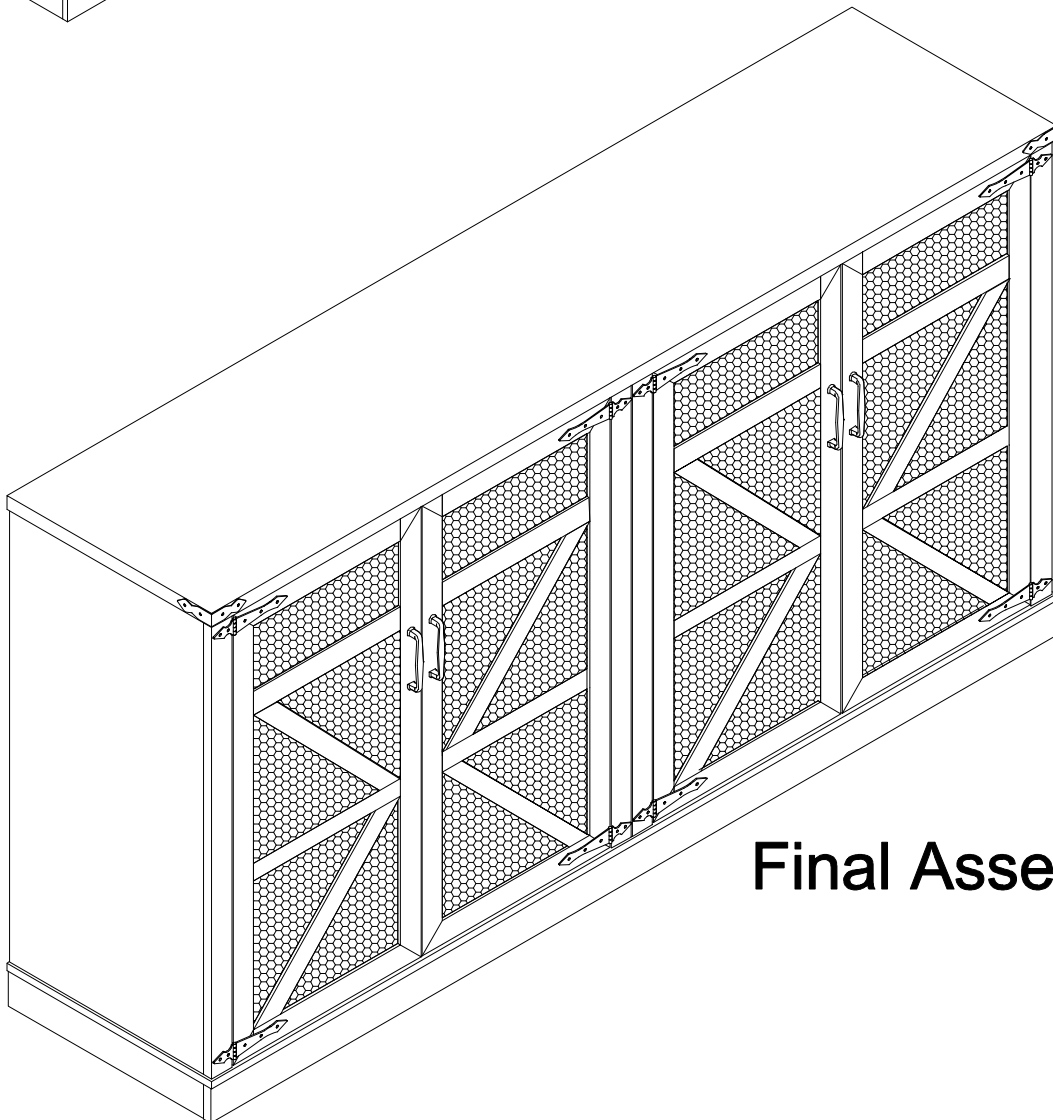
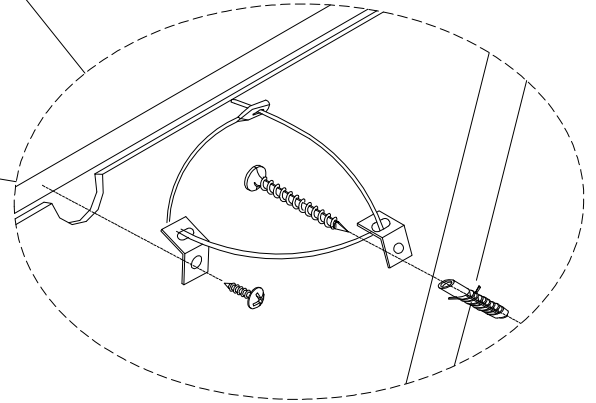


# Step 12

O x 2



For Assemble  
Anti Tipping  
hardware



Final Assembly