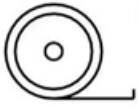


Installation Instruction of Mirror Cabinet

Required tools



Tape Measure



levelling rod



self-tapping screw

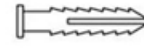


Screwdriver

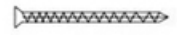


hammer

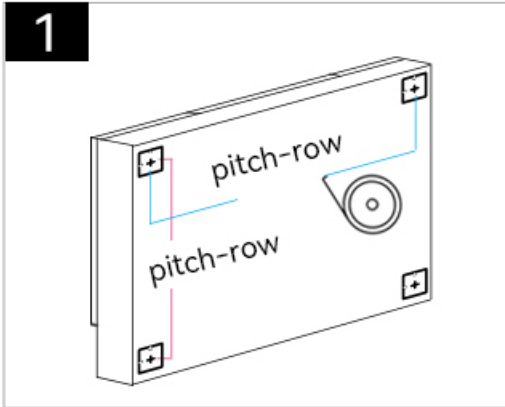
Complimentary accessories



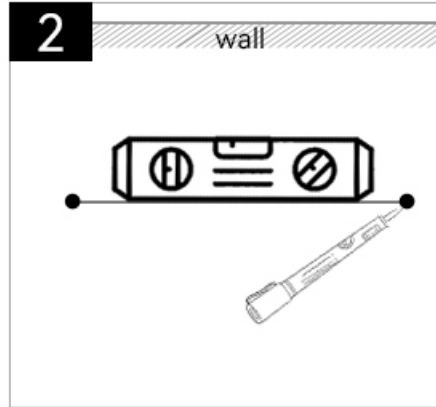
Plastic Anchors



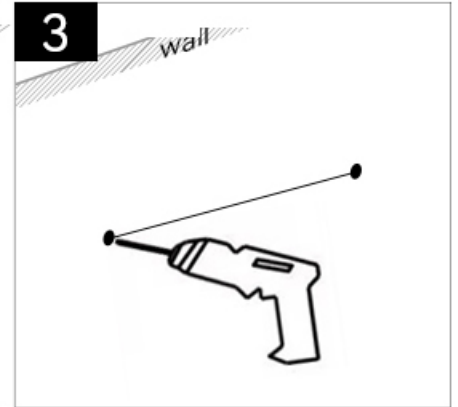
self-tapping screw



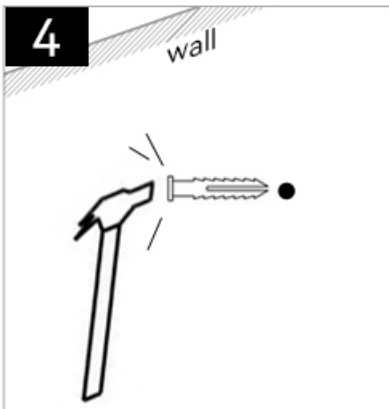
1 Measure the horizontal and vertical mounting hole spacing of the mirror cabinet.



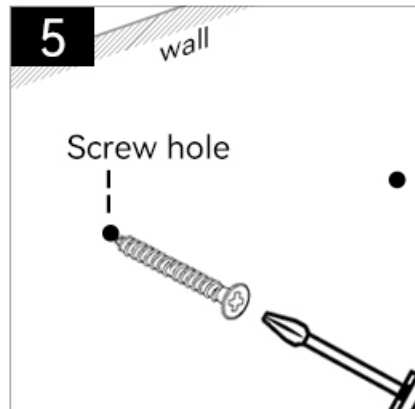
2 Measure the horizontal and mounting position with the leveling rod and mark it on the wall.



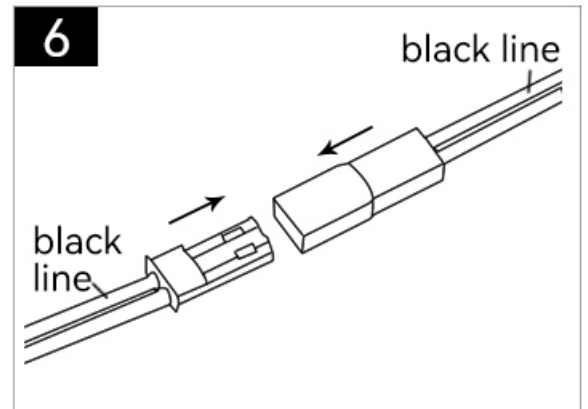
3 Drill holes according to the markings.



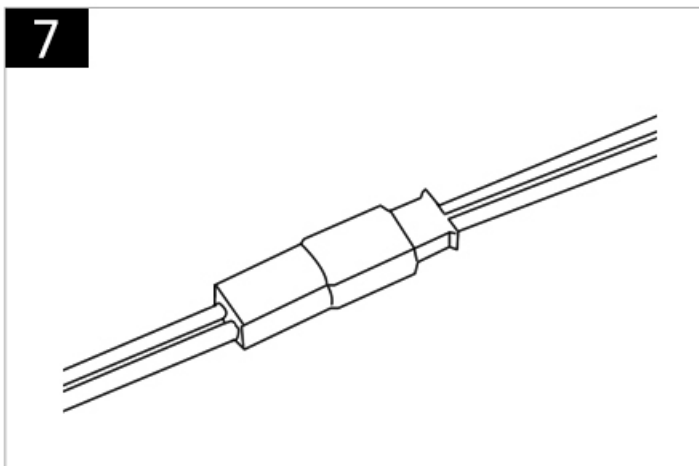
4 Hammer plastic anchors into pre-drilled holes.



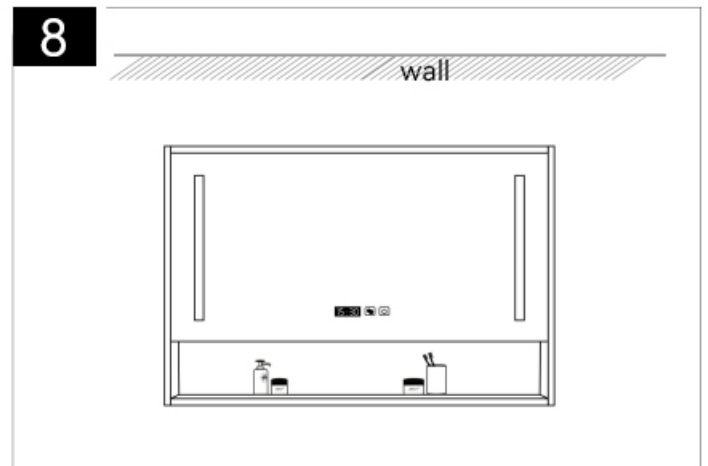
5 Screw in the tapping screw with a screwdriver.



6 The card slots on both sides are inserted in accordance



7 Plug in and install it to power



8 Hang up the mirror cabinet to complete the installation.