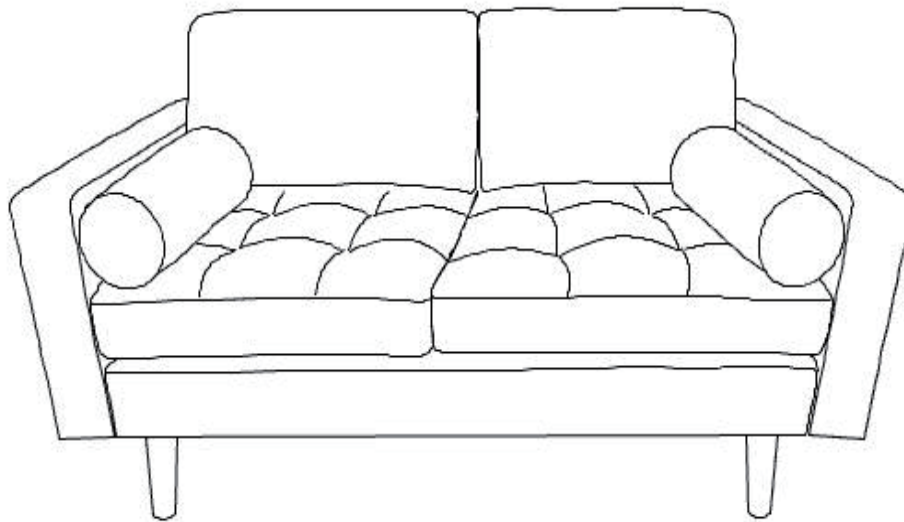
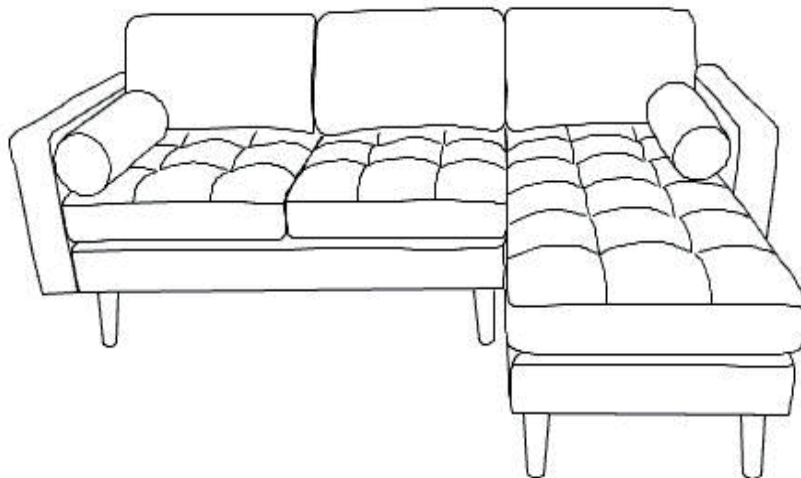


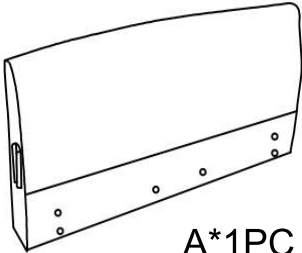
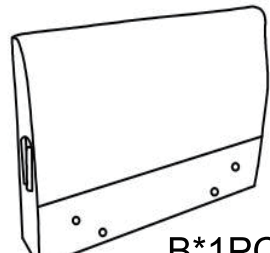
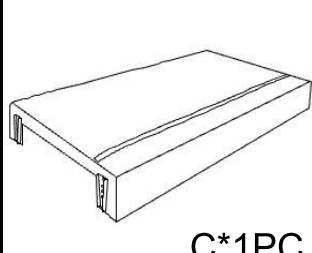
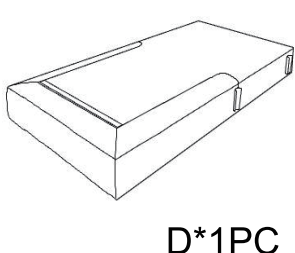
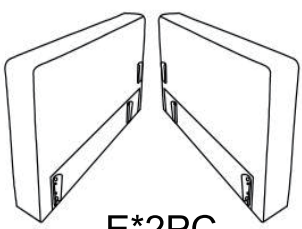
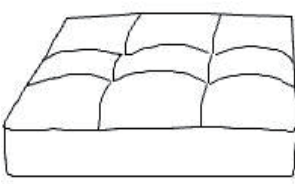
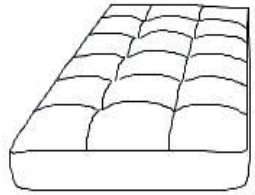


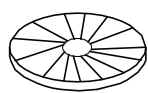
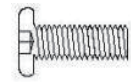



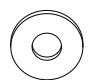
Version 1: Left lounge & Sofa



Version 2: Sofa



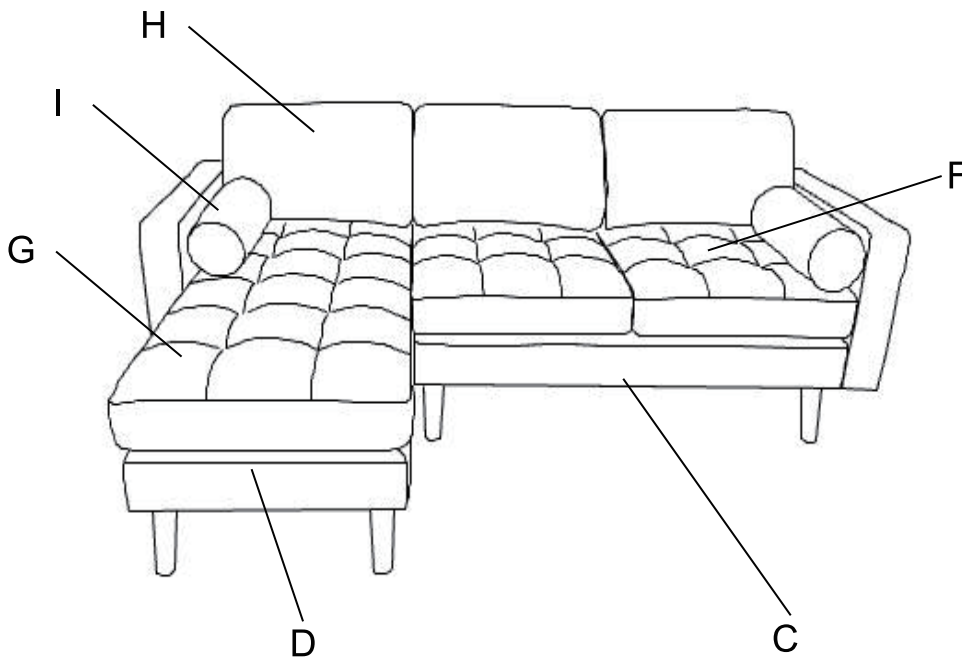
Version 3: Right lounge & Sofa

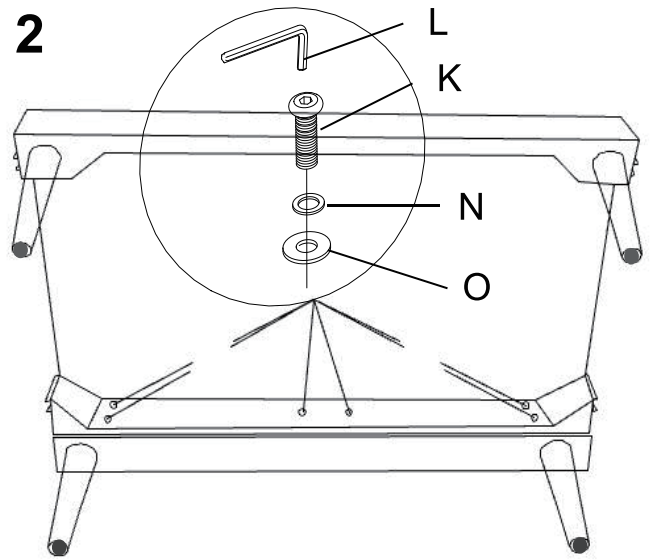
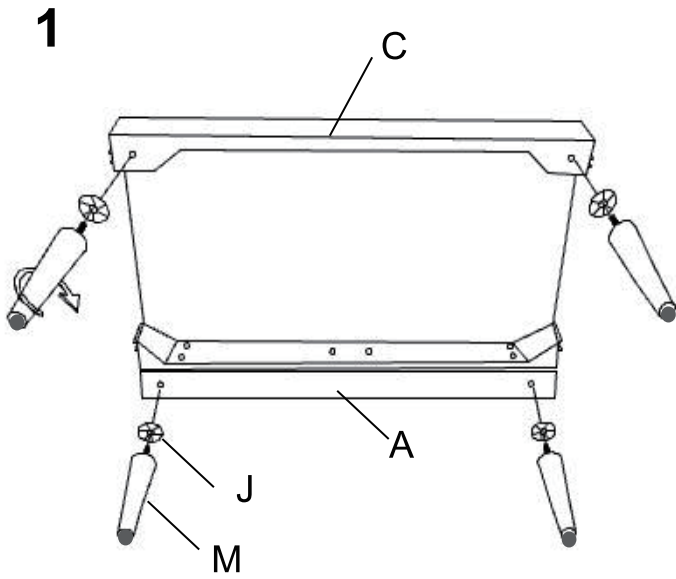
S P A R E P A R T S	 A*1PC	 B*1PC	 C*1PC	 D*1PC
	 E*2PC	 F*2PC	 G*1PC	 H*3PCS
	 I*2PCS	 J*8PCS	 K*10PCS	 L*1PCS
	 M*8PCS	 N*10PCS	 O*10PCS	

Part 1: Loveseat backrest and base frame

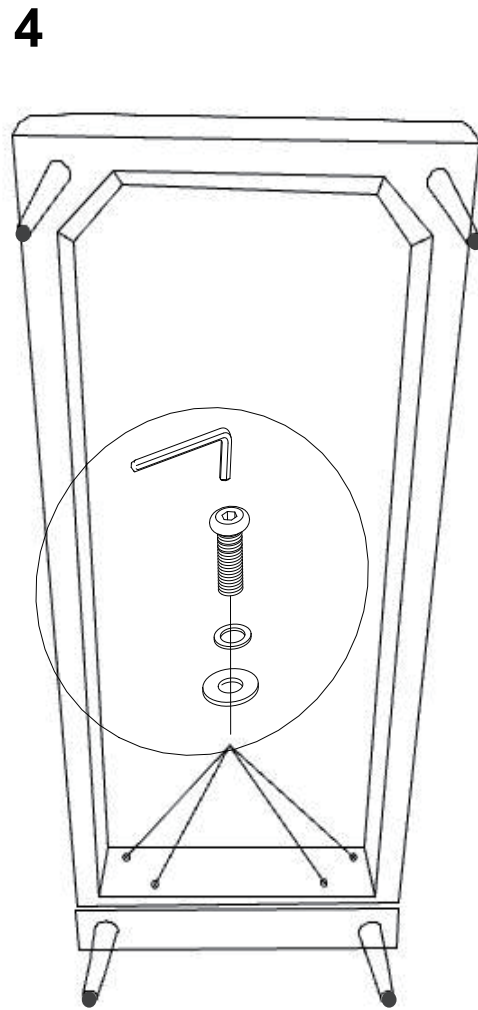
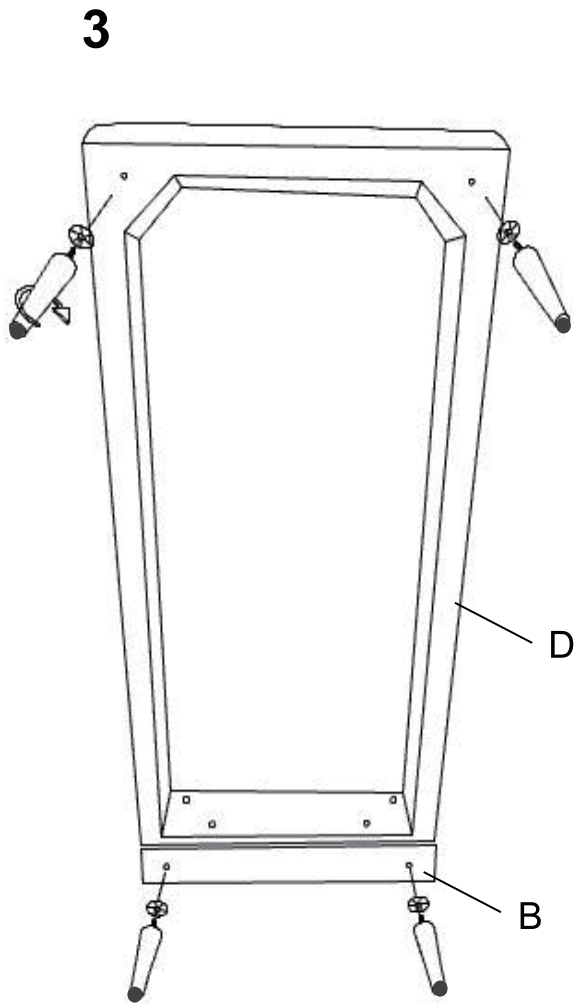
Part 2: Chaise backrest and base frame, chaise cushion, hand pillows*2, wooden legs*8, and hardware bag.

Part 1: Back pillows*3, armrests*2

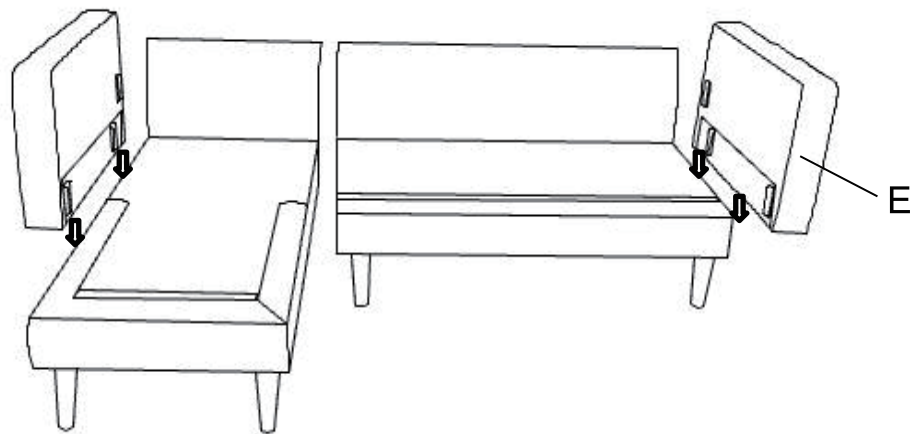




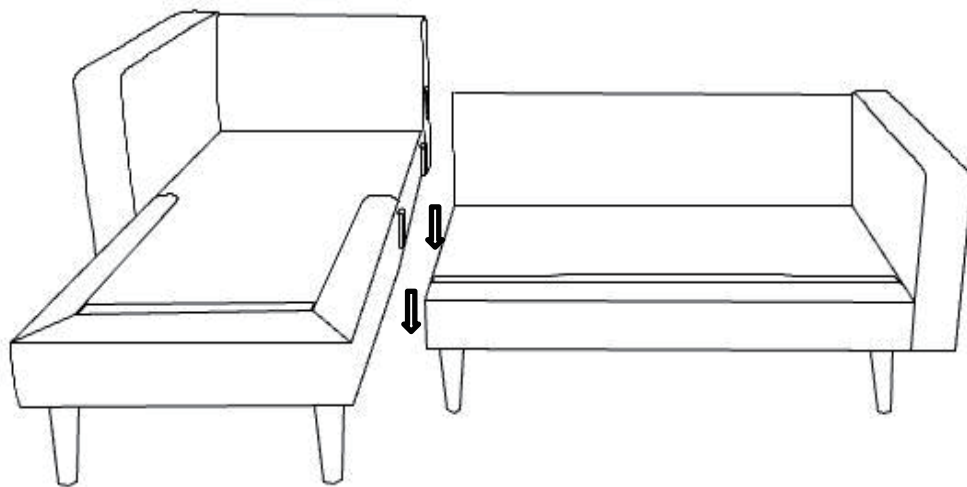
There are two holes at the front of the base (C) and two holes at the bottom of the backrest (A).
To properly assemble the chair, you need to connect the backrest and the base frame, and then proceed to install all four legs.



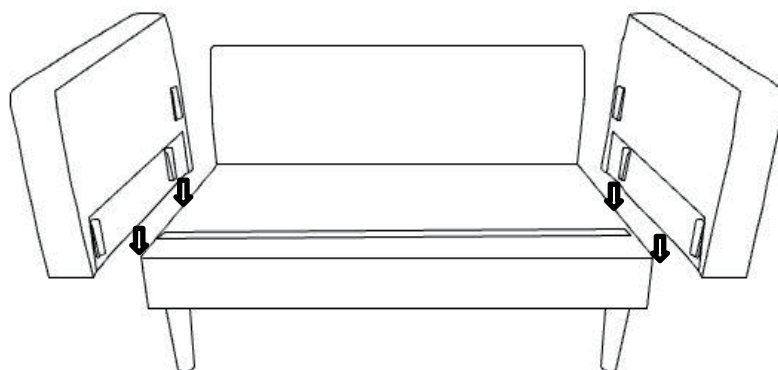
5: Version 1



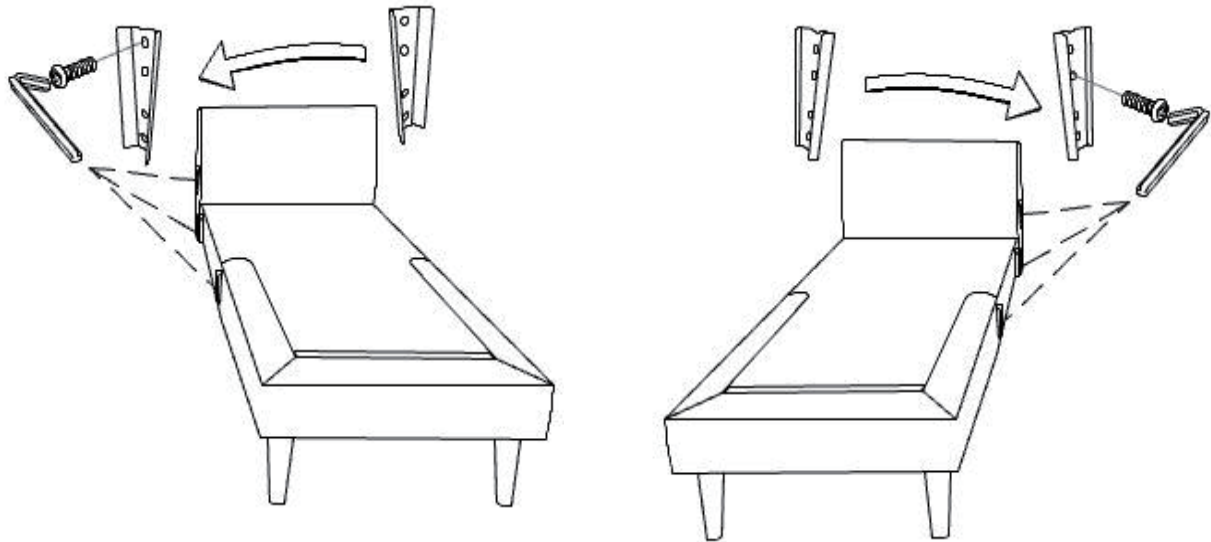
6:



7: Version 2

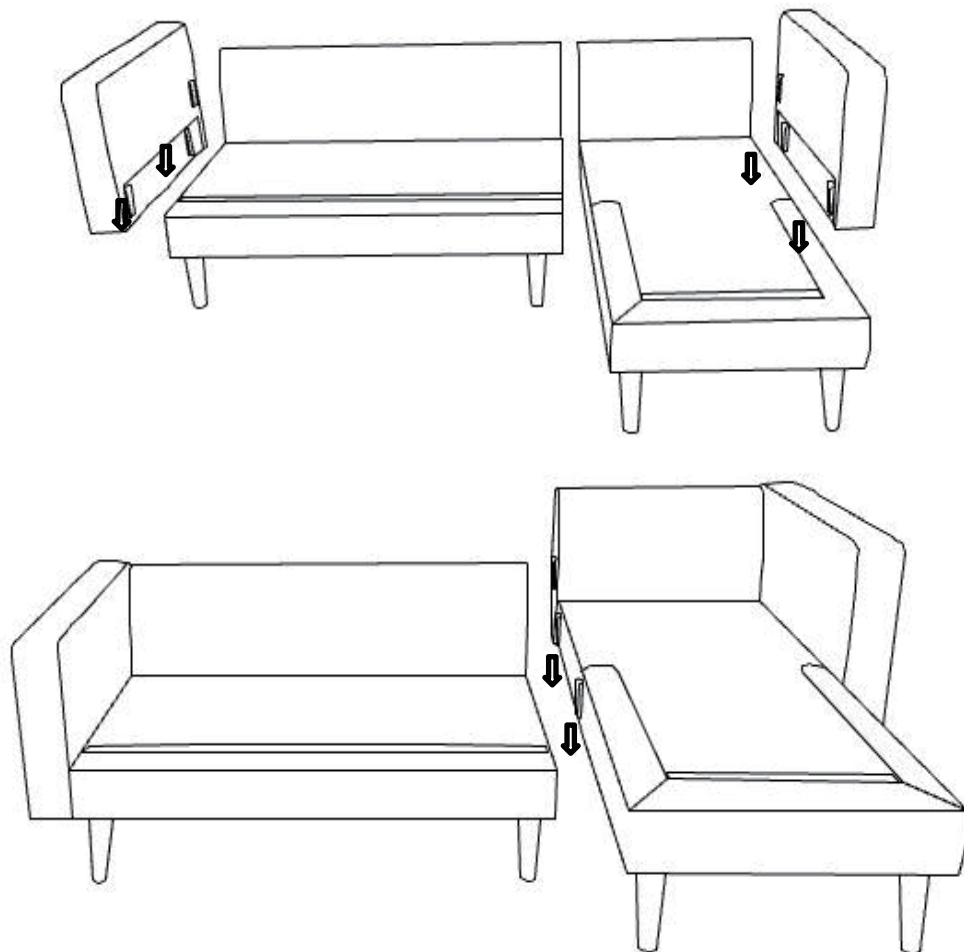


8.Version 3



Exchange the Chaise Longue metal hardware from both side

To change the chaise longue's position (switch the side), please remember to remove the 3 metal brackets from the current side, then screw them securely onto the other side, and finally, align the direction of the brackets as it was before change.



Frequently Asked Questions

1: What should I do if my shipment is damaged or products received are defective?

We're sorry to hear that! Please message us and provide a detailed description of the damage, as well as photos (or videos, where appropriate) showing the damage. We will do our best to resolve the issue as soon as possible.

2: Could I return the product if I'm not satisfied?

We put quality as one of our top priorities – We work with experienced manufacturers and have every piece of our product going through strict quality control process. However, if you still unsatisfied, it is recommended to return within 30 days of the date you received the product. You can message us with your reason of returning so we can facilitate the request and issue return authorization to you.

3: How to contact you if I have some problems?

Easy! Just message us and provide a detailed description about your problem, we are willing to help you and respond with 24 hours.