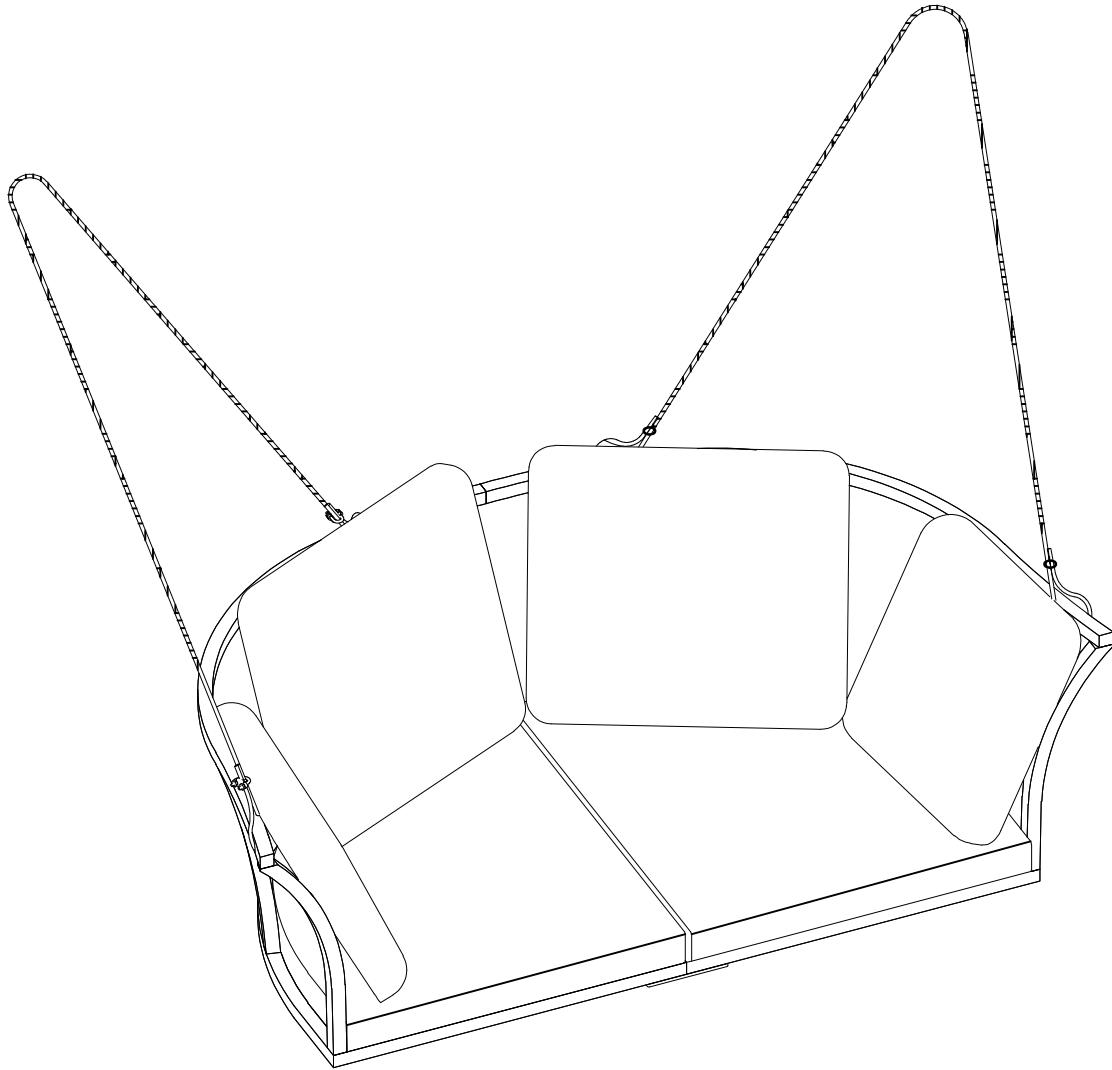
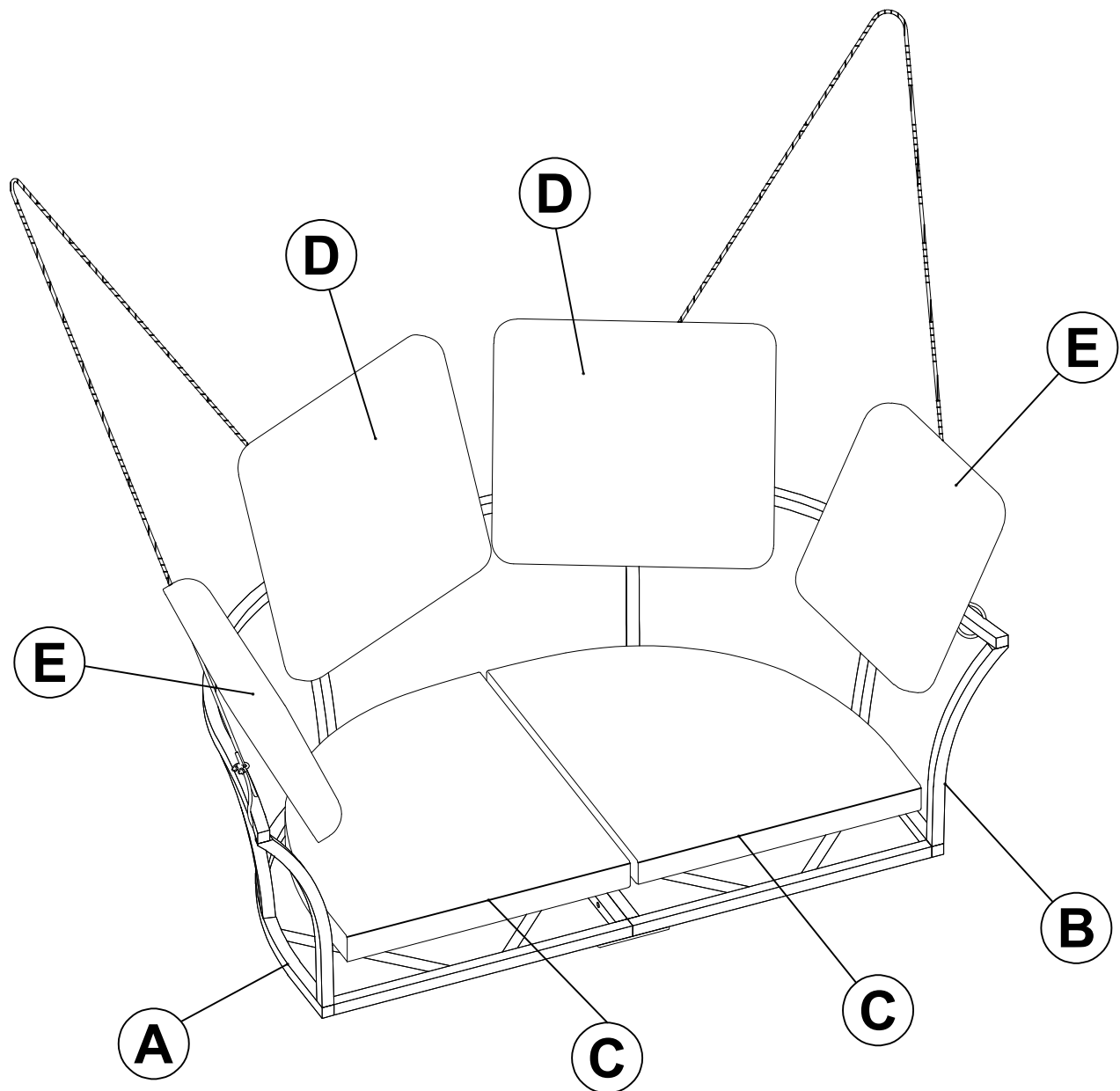


ASSEMBLY INSTRUCTION

PORCH SWING



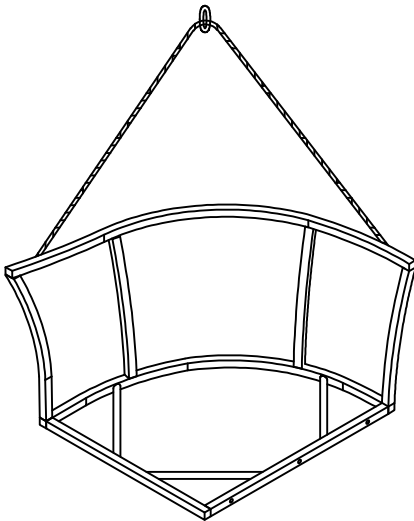
WF531575



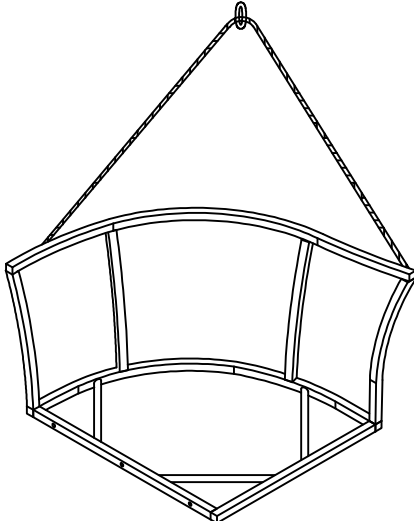
Note:

- 1. 50% Tighten before fixing all screws, Allen wrench is recommended instead of an electric drill.**
- 2. Place the item on a flat ground to adjust and make sure it remains stable.**
- 3. Tighten up all screw with tools gradually.**
- 4. If screw are not aligned with holes during assembly, please loosen all the other screws to 50% and continue the assembly process.**
- 5. If the item is not stable, please loosen all screws, adjust it on a flat ground and tighten up all screws again.**
- 6. Note: If one or some screws are fully tighten during assembly, chances are the others will not be aligned with holes. In addition, all the holes are designed to be relatively larger to provide more space for the adjustment of the screws.**

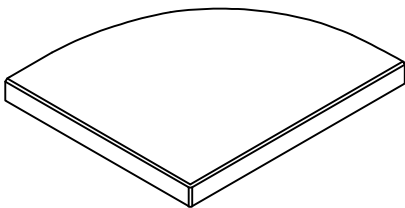
CARTON CONTENT:



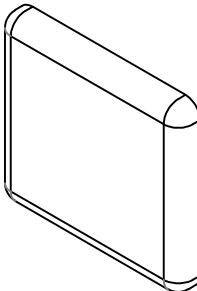
A x1



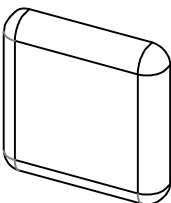
B x1



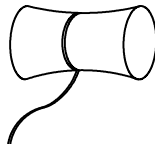
C x2



D x2



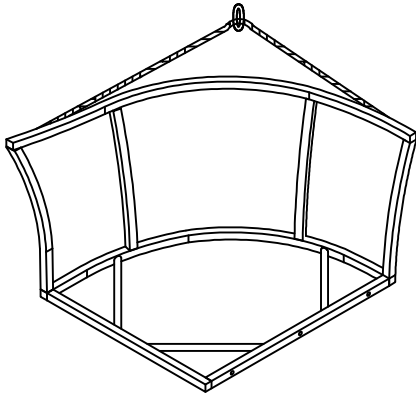
E x2



Hardware

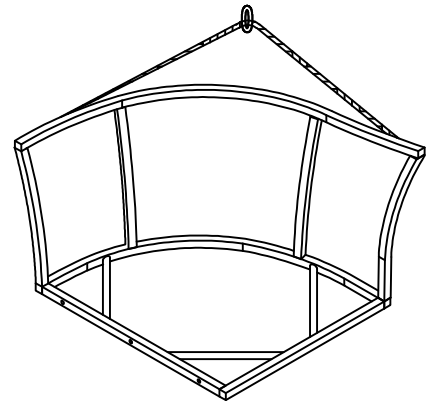
Part List:

A x1



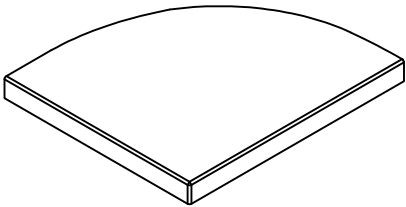
Right Frame

B x1



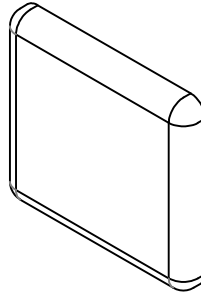
Left Frame

C x2



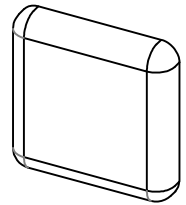
Seat Cushion

D x2



Block Pillow

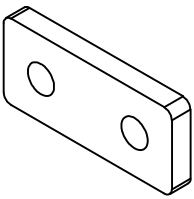
E x2



Block Pillow

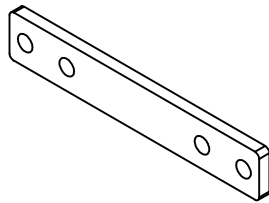
Hardware List:

1 x1



Connection 1

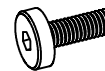
2 x1



Connection 2

3 x8

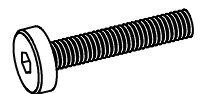
Extra : 1



BOLT M6 x 20 MM

4 x3

Extra : 1



BOLT M6 x 65 MM

5 x14

Extra : 2



FLAT WASHER M6

6 x3

Extra : 1



NUT M6

7 x1



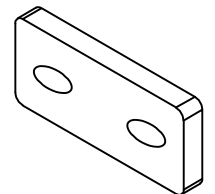
KEY

8 x1



ALLEN KEY

9 x1



Connection 9

STEP 1

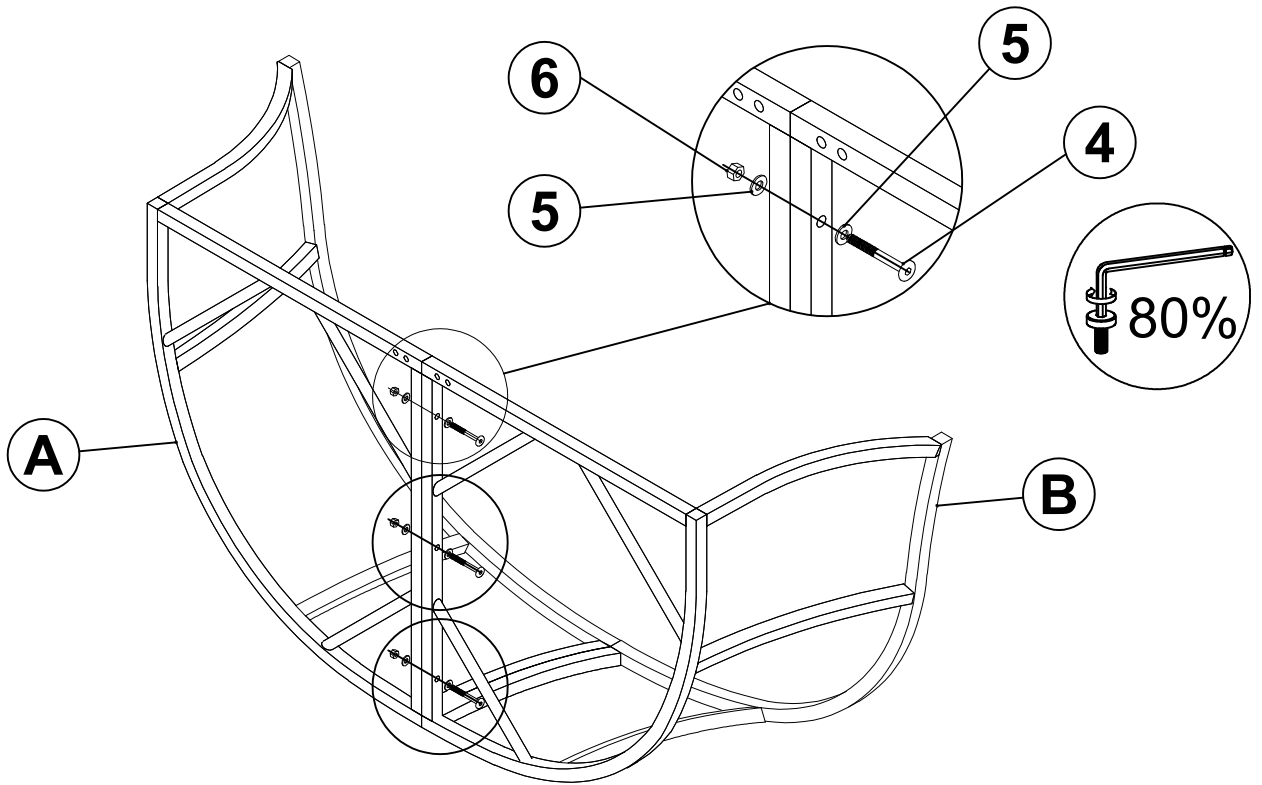
A x1

B x1

4 x3

5 x6

6 x3



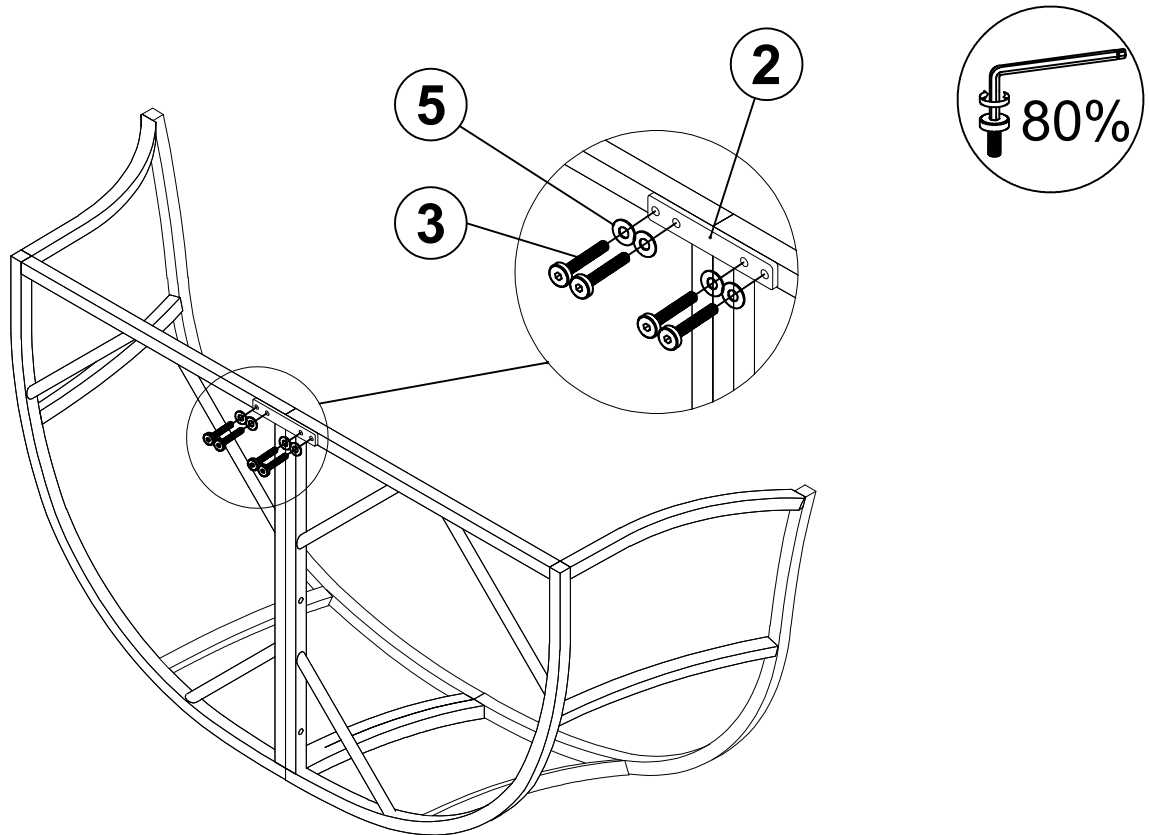
Connect Right Frame (A) & Left Frame (B) Tighten Bolt (4), Flat Washer (5) Nut (6) with Allen Key (8) and Key (7).

STEP 2

2 x1

3 x4

5 x4



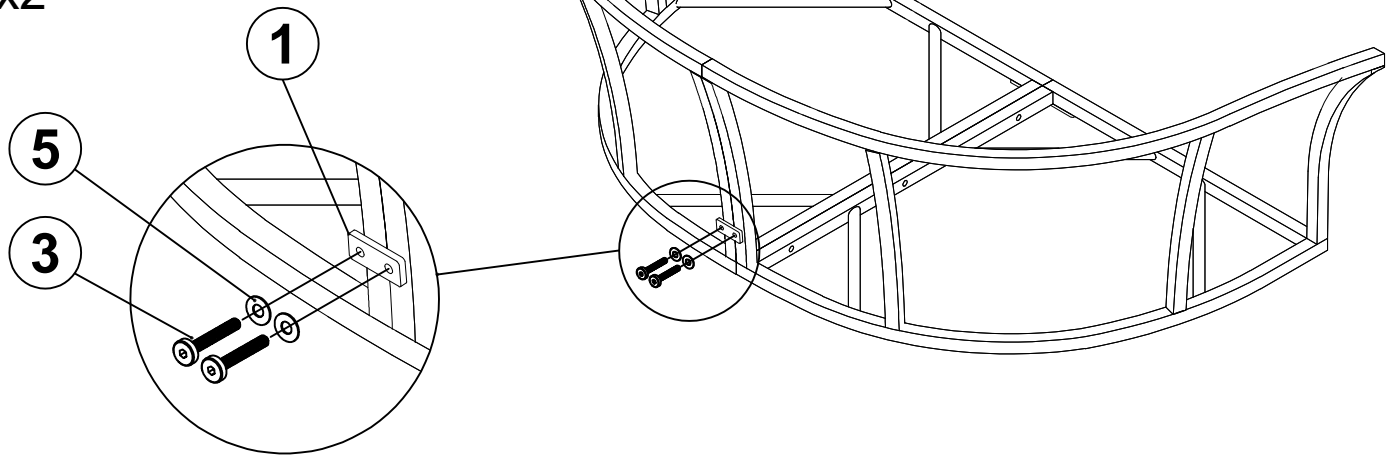
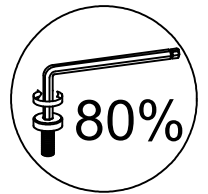
Connect Right Frame (A) & Left Frame (B) Connection 2 Tighten Bolt (3) Flat Washer (5) with Allen Key (8).

STEP 3

① x1

③ x2

⑤ x2



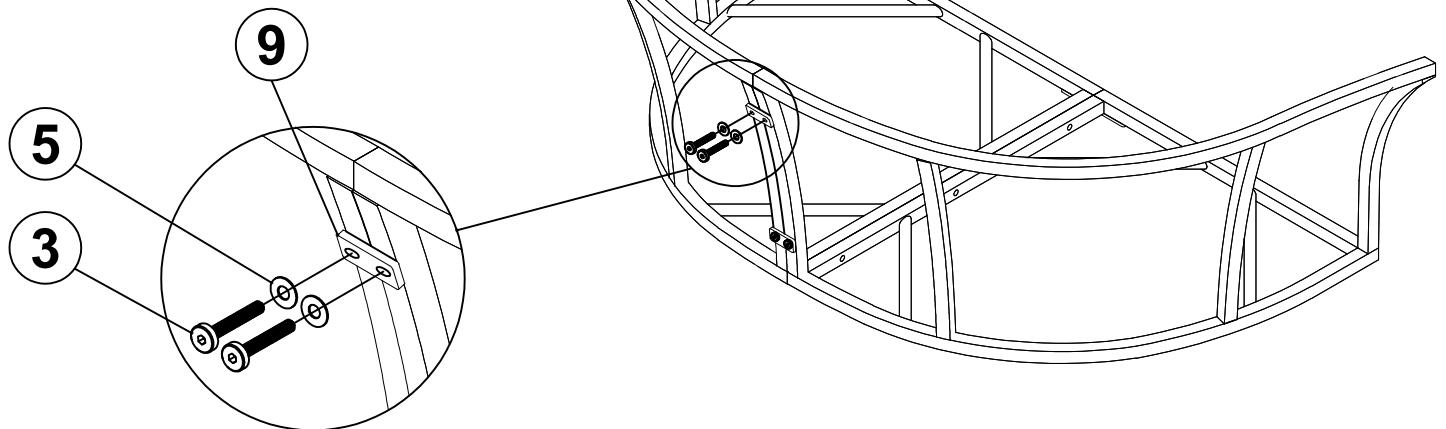
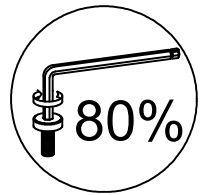
Connect Right Frame (A) & Left Frame (B) Connection 1
Tighten Bolt (3) Flat Washer (5) with Allen Key (8).

STEP 4

⑨ x1

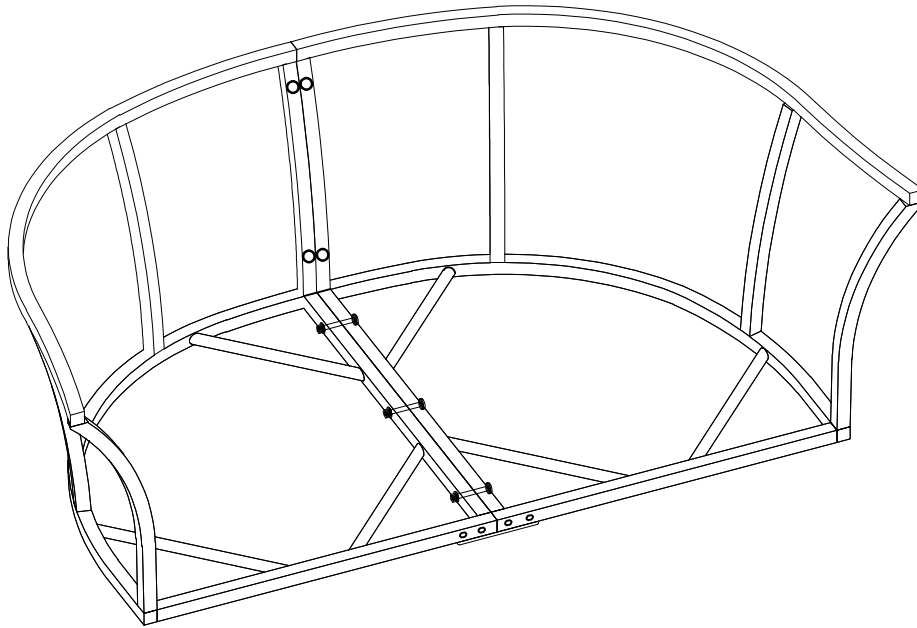
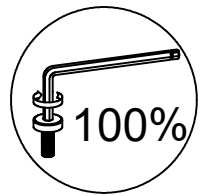
③ x2

⑤ x2



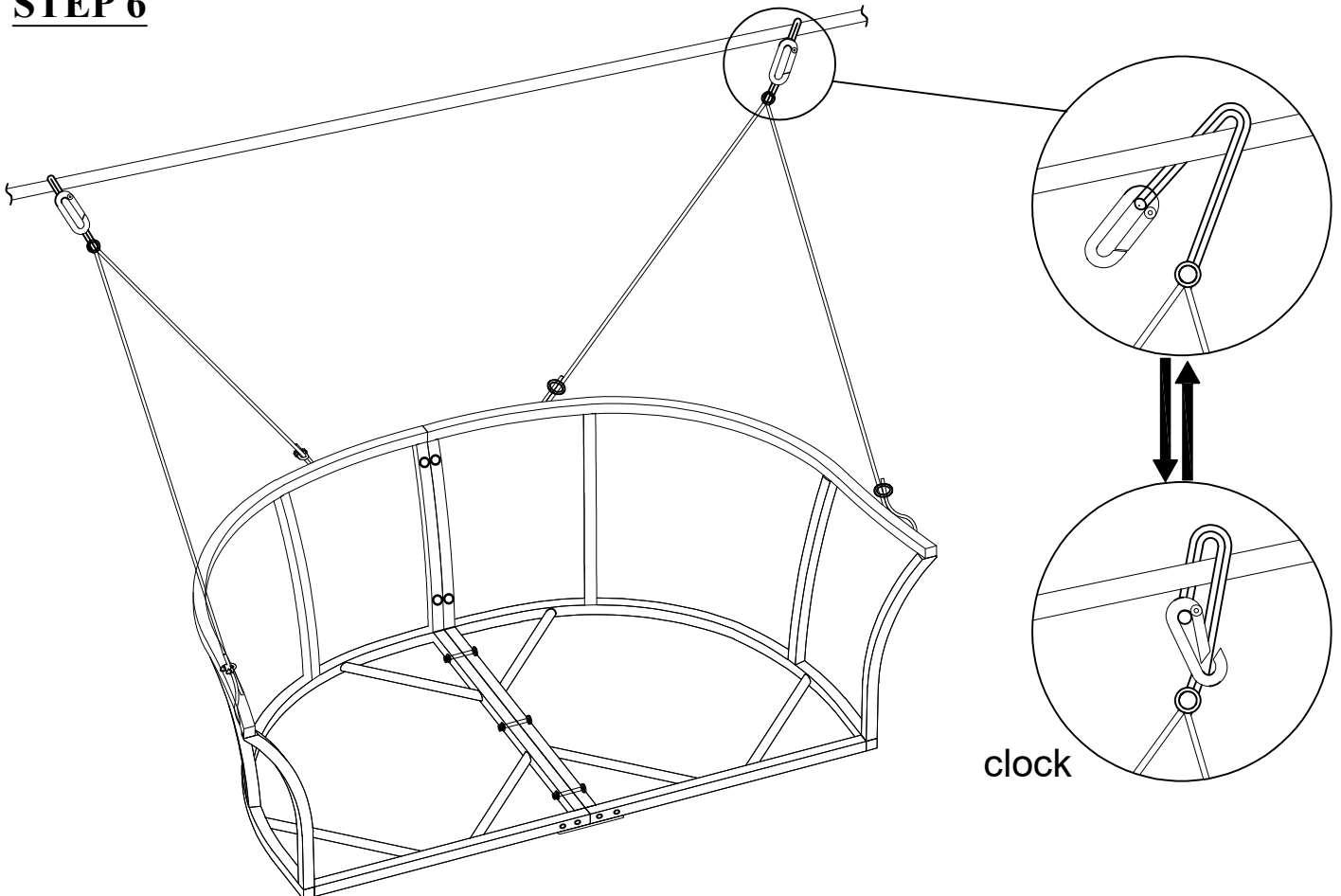
Connect Right Frame (A) & Left Frame (B) Connection 9
Tighten Bolt (3) Flat Washer (5) with Allen Key (8).

STEP 5



Put the Swing upright, then firmly tighten Bolt with Allen Key (8) and Key (7).

STEP 6



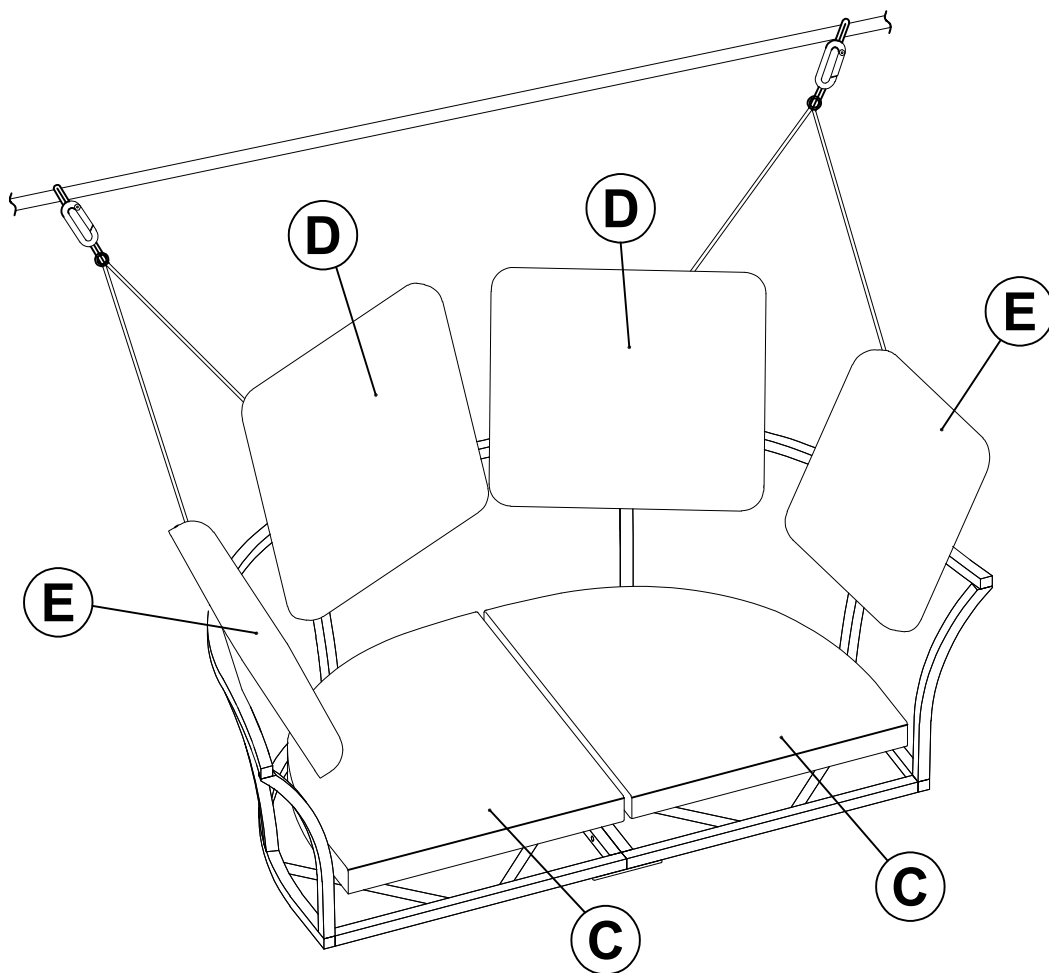
Hang the swing with Support Wire.

STEP 7

C x2

D x2

E x2



Put on Seat Cushion,Block Pillow to finish swing.