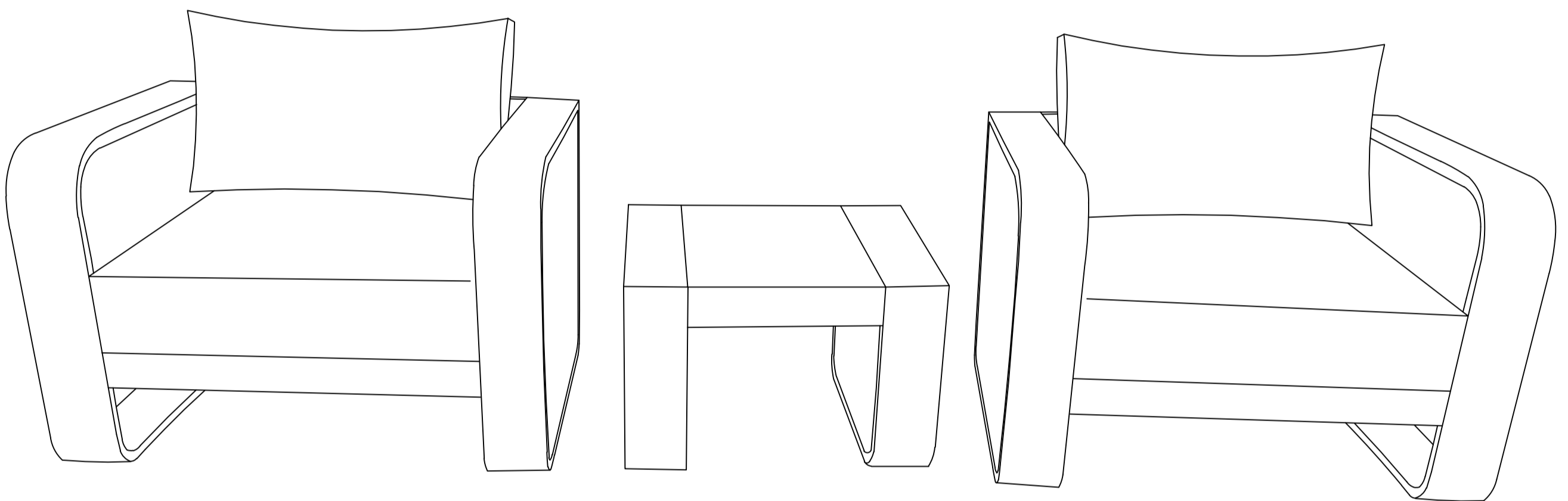


# ASSEMBLY INSTRUCTIONS

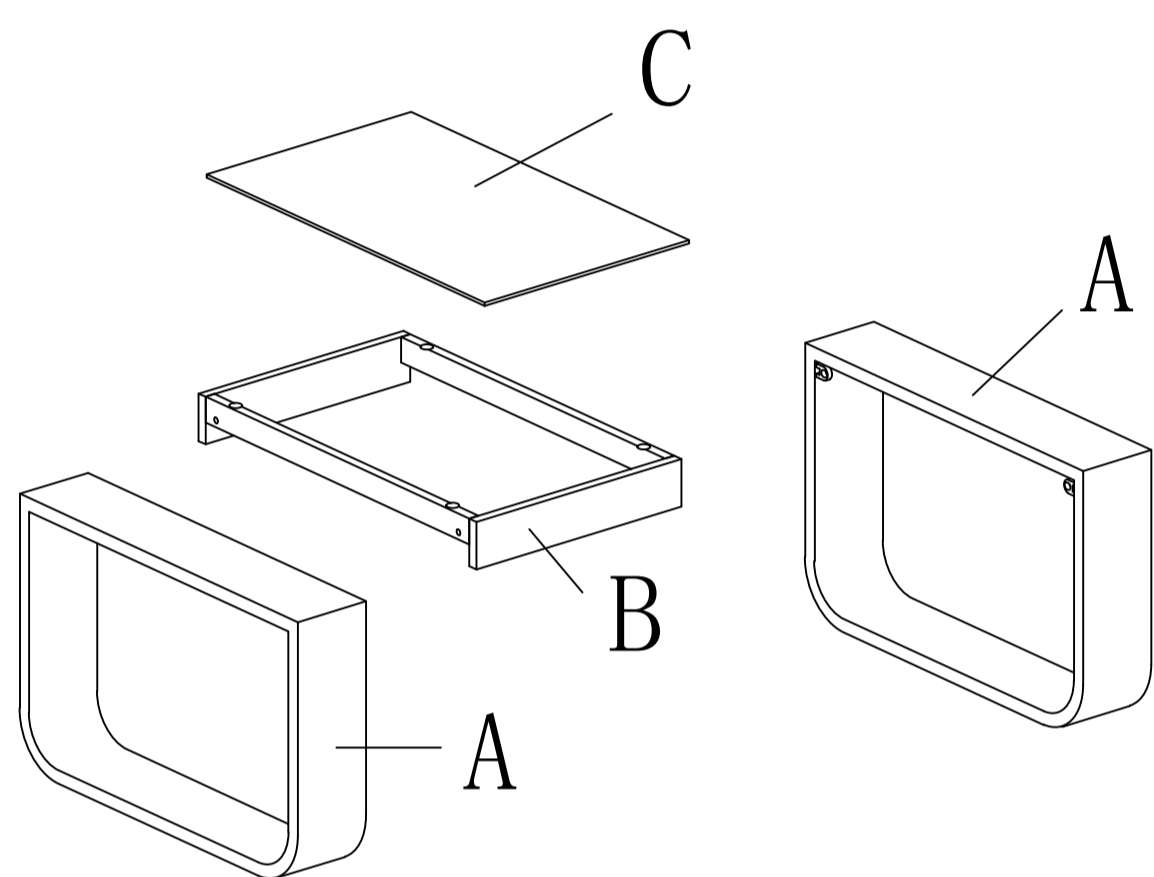


NOTE: 50% TIGHTEN BEFORE FIXING ALL BOLTS

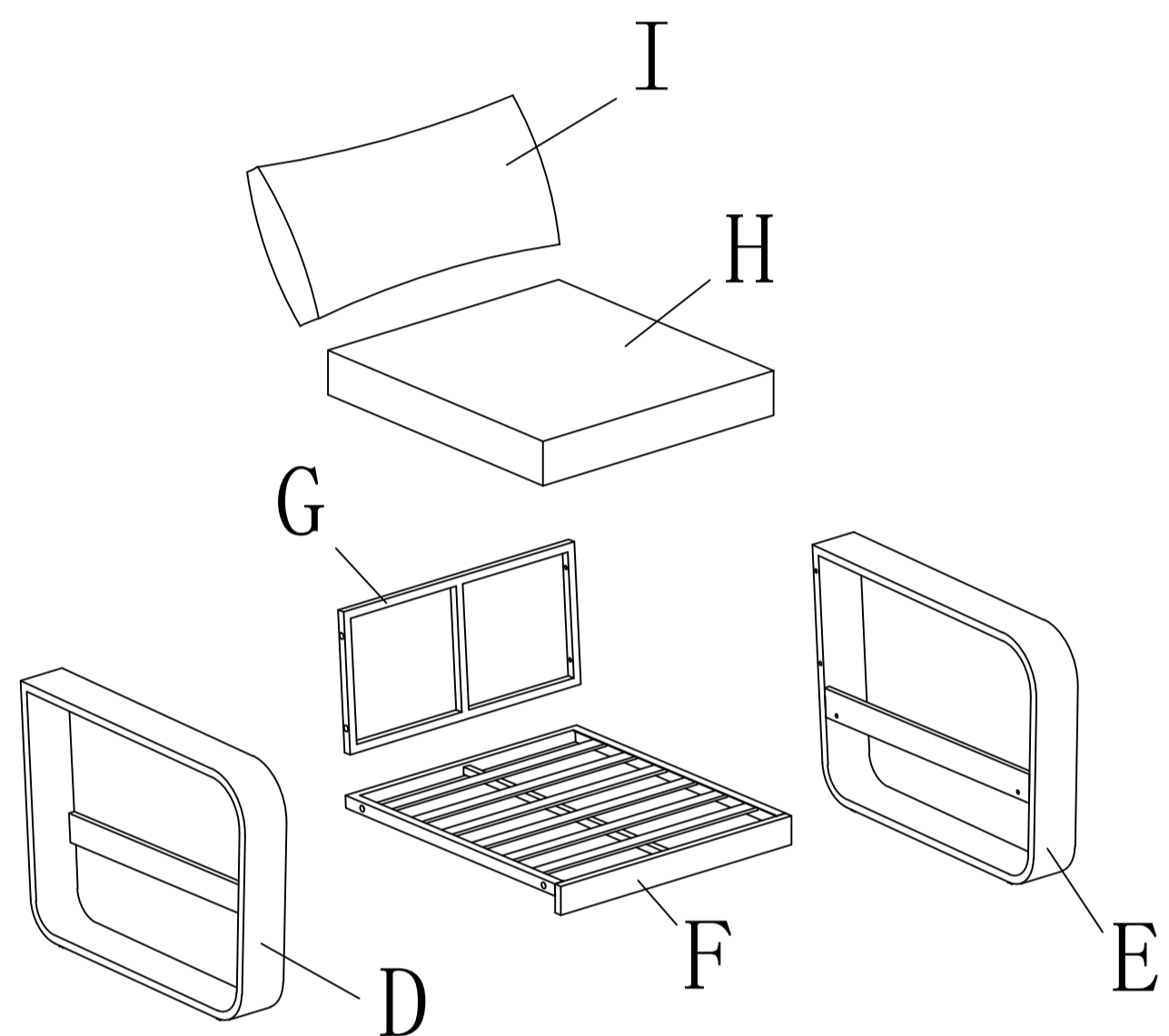
WF316951

WF316952

(1×Table)



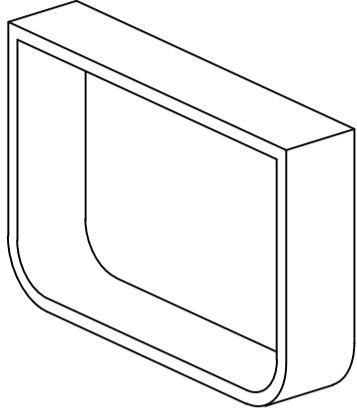
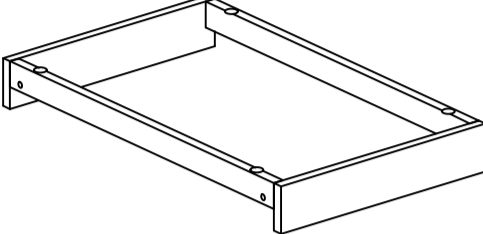
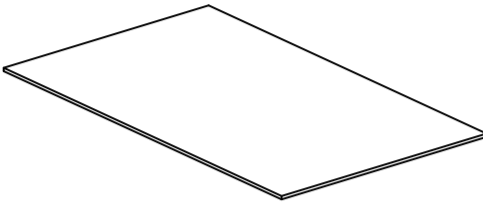
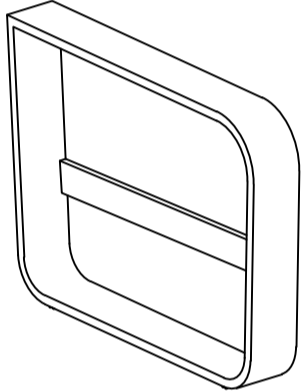
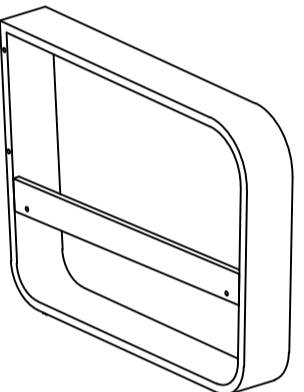
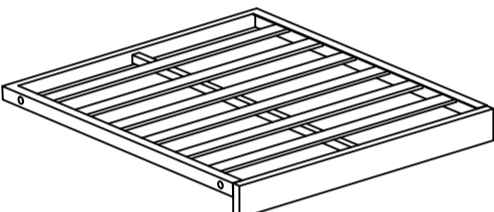
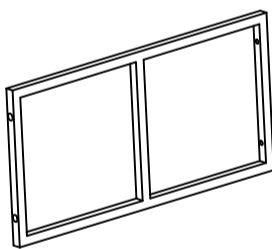
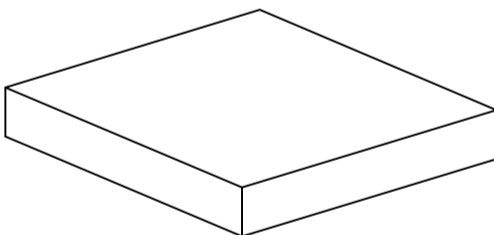
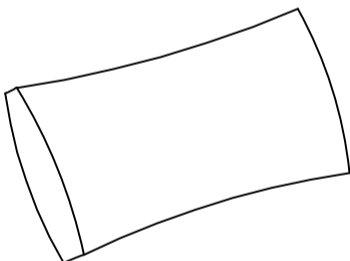
(2×Chair)



### Notice:

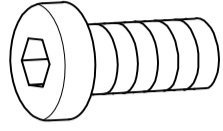
1. 50% Tighten before fixing all screws, Allen wrench is recommended instead of an electric drill.
2. Place the item on a flat ground to adjust and make sure it remains stable
3. Tighten up all screws with tools gradually.
4. If the screws are not aligned with holes during assembly, please loosen all the other screws to 50% and continue the assembly process.
5. If the item is not stable, please loosen all the screws, adjust it on a flat ground and tighten up all screws again.
6. Note : If one or some screws are fully tightened during assembly, chances are the others will not be aligned with holes. In addition, all the holes are designed to be relatively larger to provide more space for the adjustment of the screws.

# Part List

<p data-bbox="147 305 195 368">A</p>  <p data-bbox="247 834 617 890">Table Leg (2pcs)</p>	<p data-bbox="768 305 816 368">B</p>  <p data-bbox="877 834 1222 890">Table Top (1pc)</p>	<p data-bbox="1390 305 1438 368">C</p>  <p data-bbox="1541 834 1793 890">Glass (1pc)</p>
<p data-bbox="147 928 195 991">D</p>  <p data-bbox="201 1457 663 1513">Right Armrest (2pcs)</p>	<p data-bbox="768 928 816 991">E</p>  <p data-bbox="831 1457 1272 1513">Left Armrest (2pcs)</p>	<p data-bbox="1390 928 1438 991">F</p>  <p data-bbox="1541 1457 1793 1513">Seat (2pcs)</p>
<p data-bbox="147 1552 195 1614">G</p>  <p data-bbox="260 2080 604 2136">Backrest (2pcs)</p>	<p data-bbox="768 1552 816 1614">H</p>  <p data-bbox="831 2080 1272 2136">Seat Cushion (2pcs)</p>	<p data-bbox="1390 1552 1438 1614">I</p>  <p data-bbox="1449 2080 1885 2136">Back Cushion (2pcs)</p>

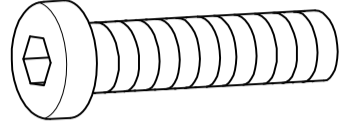
# Hardware List

①



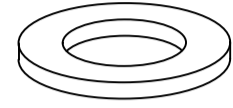
Extra (1pc)  
Bolt 1/4 " × 20mm (4pcs)

②



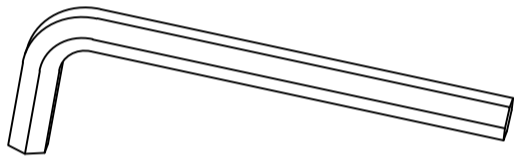
Extra (1pc)  
Bolt 1/4 " × 35mm (16pcs)

③



Extra (2pcs)  
Flat Washer 1/4 " (20pcs)

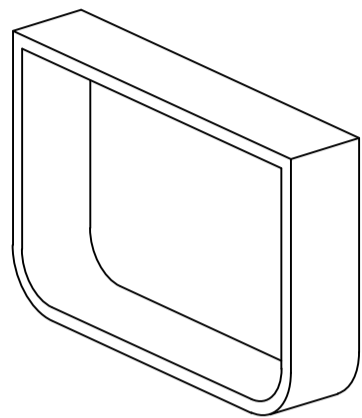
④



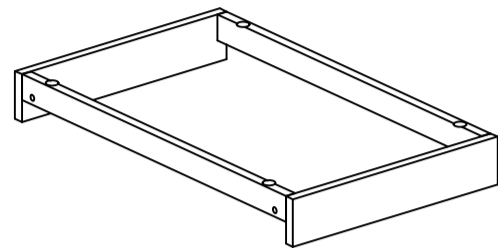
Allen Key 4mm (1pc)

CARTON CONTEAT:

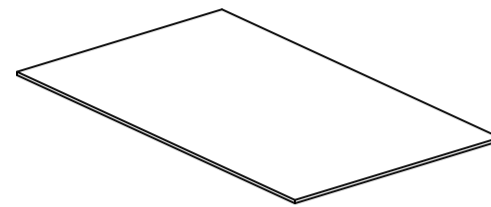
WF316951



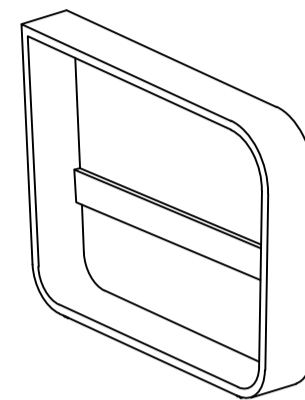
A × 2



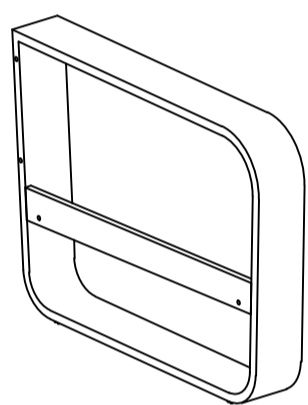
B × 1



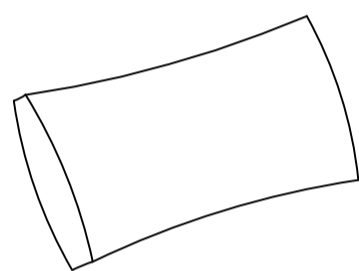
C × 1



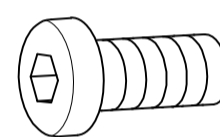
D × 2



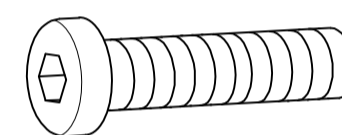
E × 2



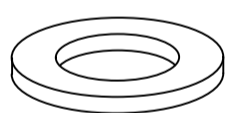
I × 2



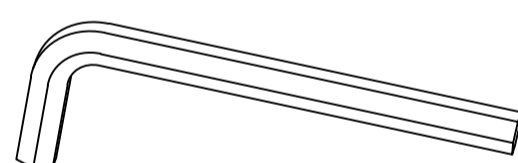
① × 5



② × 17



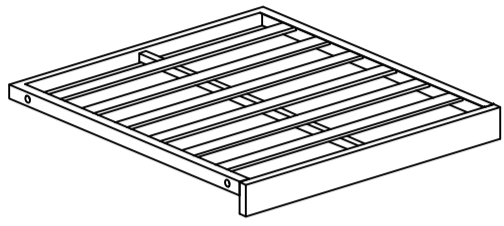
③ × 22



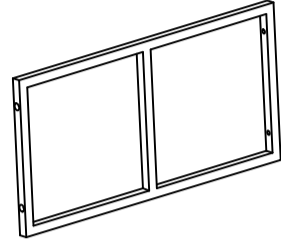
④ × 1

CARTON CONTEAT:

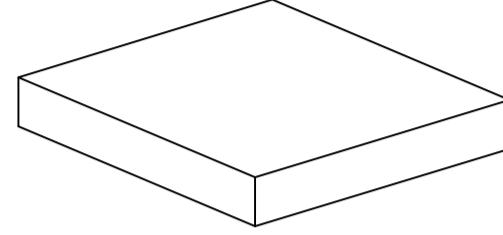
WF316952



$\boxed{F} \times 2$

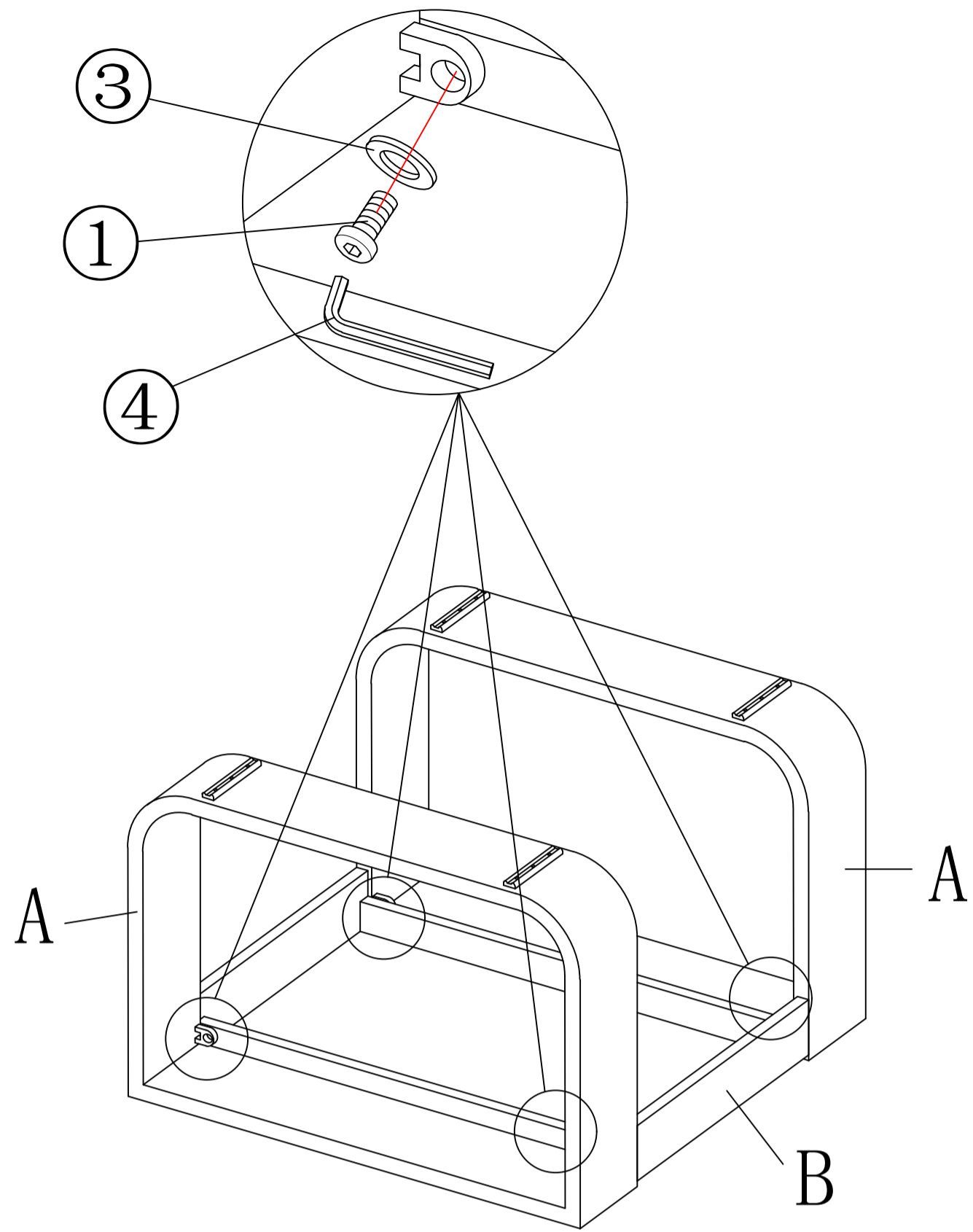


$\boxed{G} \times 2$



$\boxed{H} \times 2$

# STEP 1



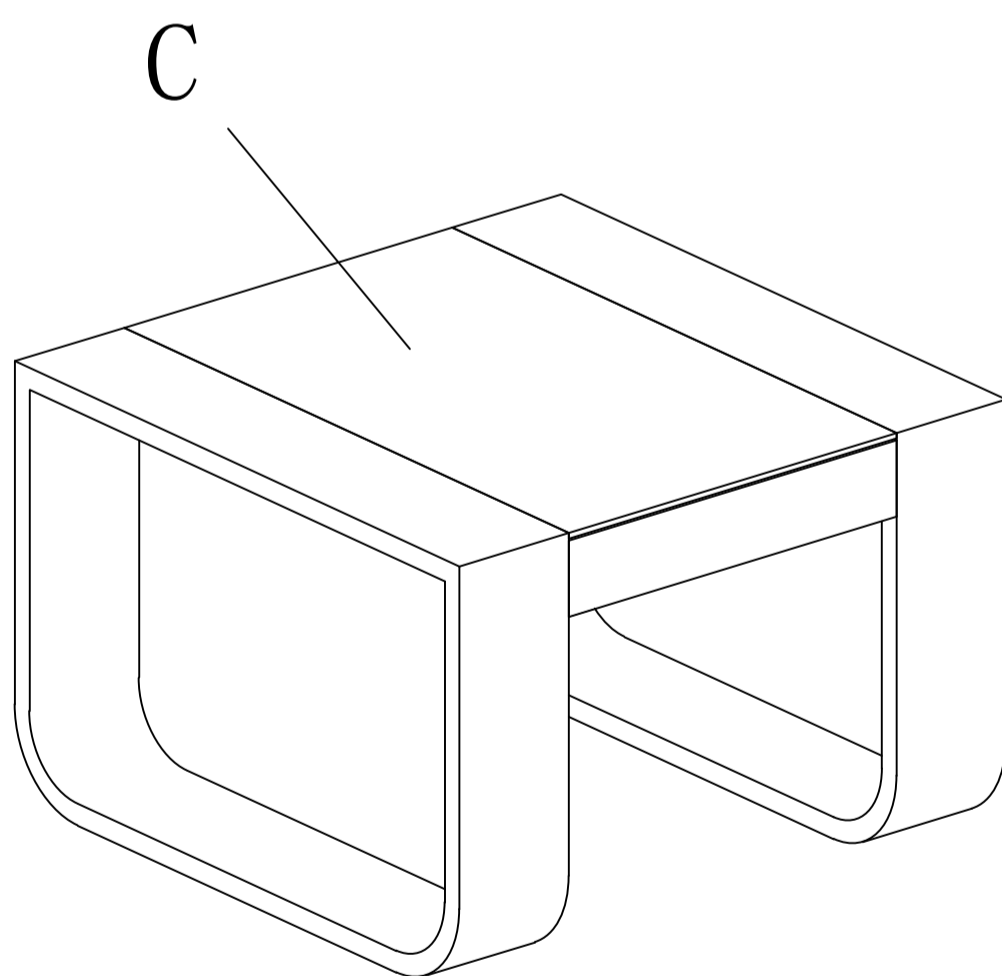
①\*4

③\*4

A\*2

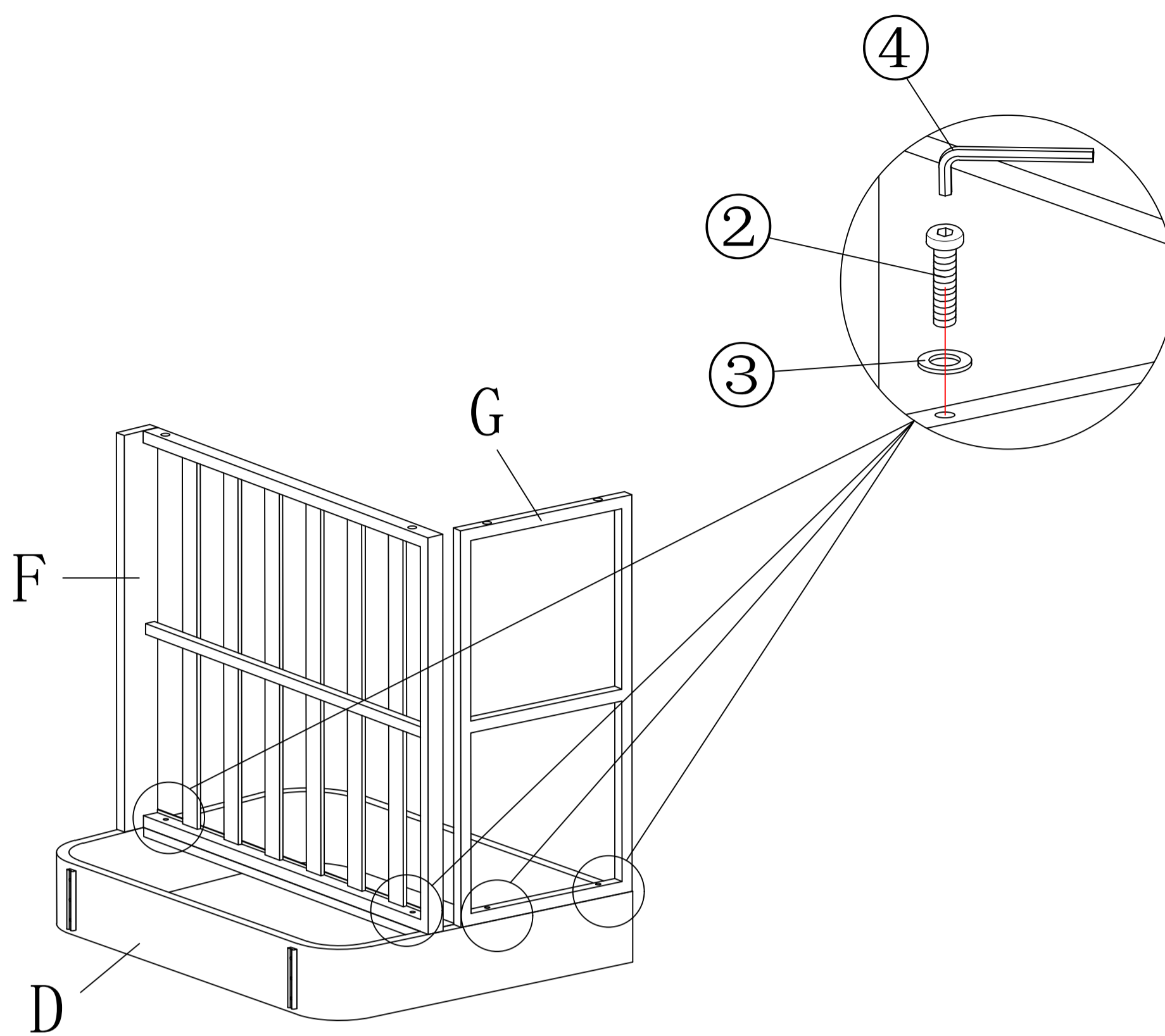
B\*1

# STEP 2



C\*1

# STEP 3



②\*4

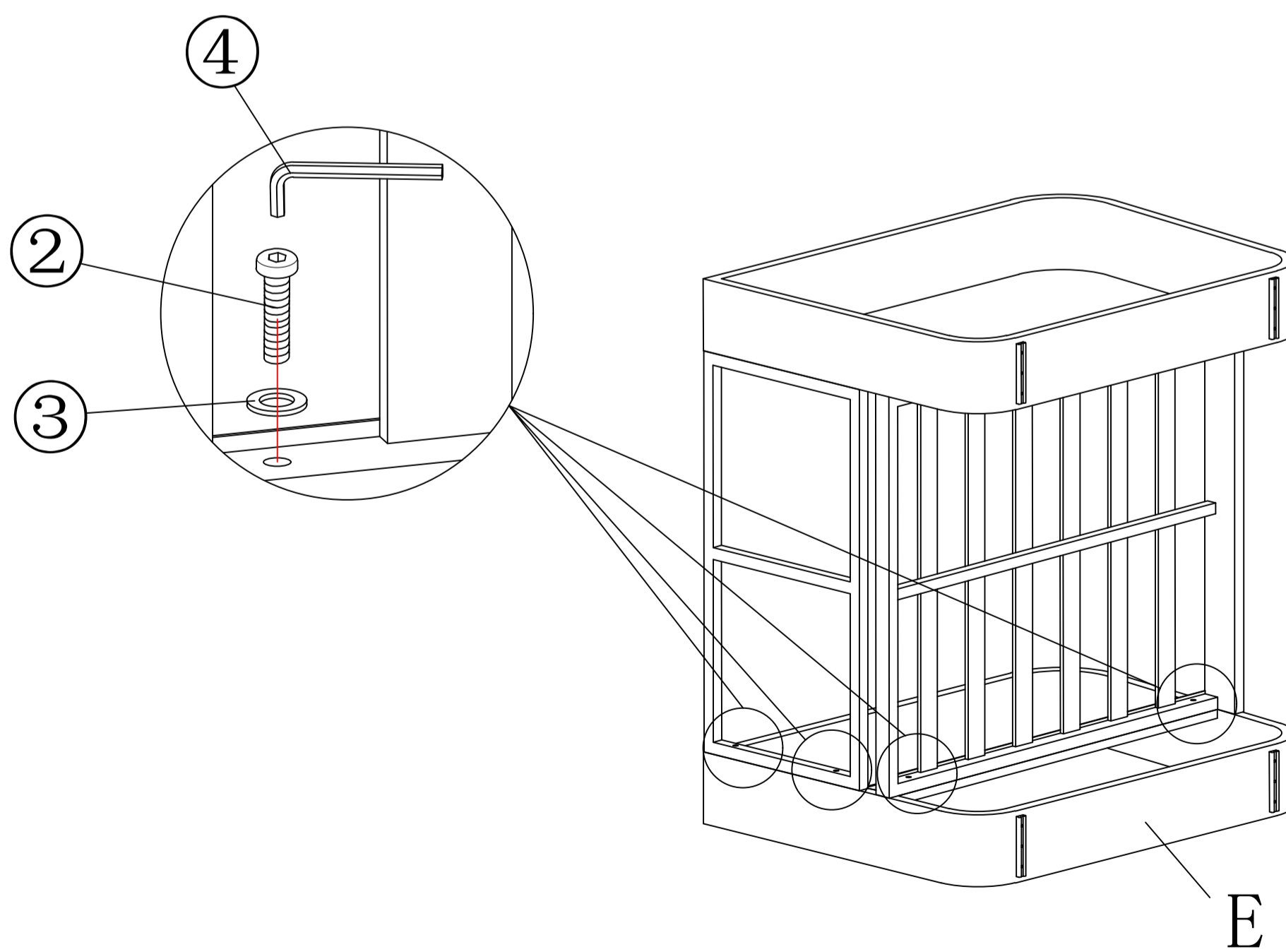
③\*4

D\*1

F\*1

G\*1

# STEP 4



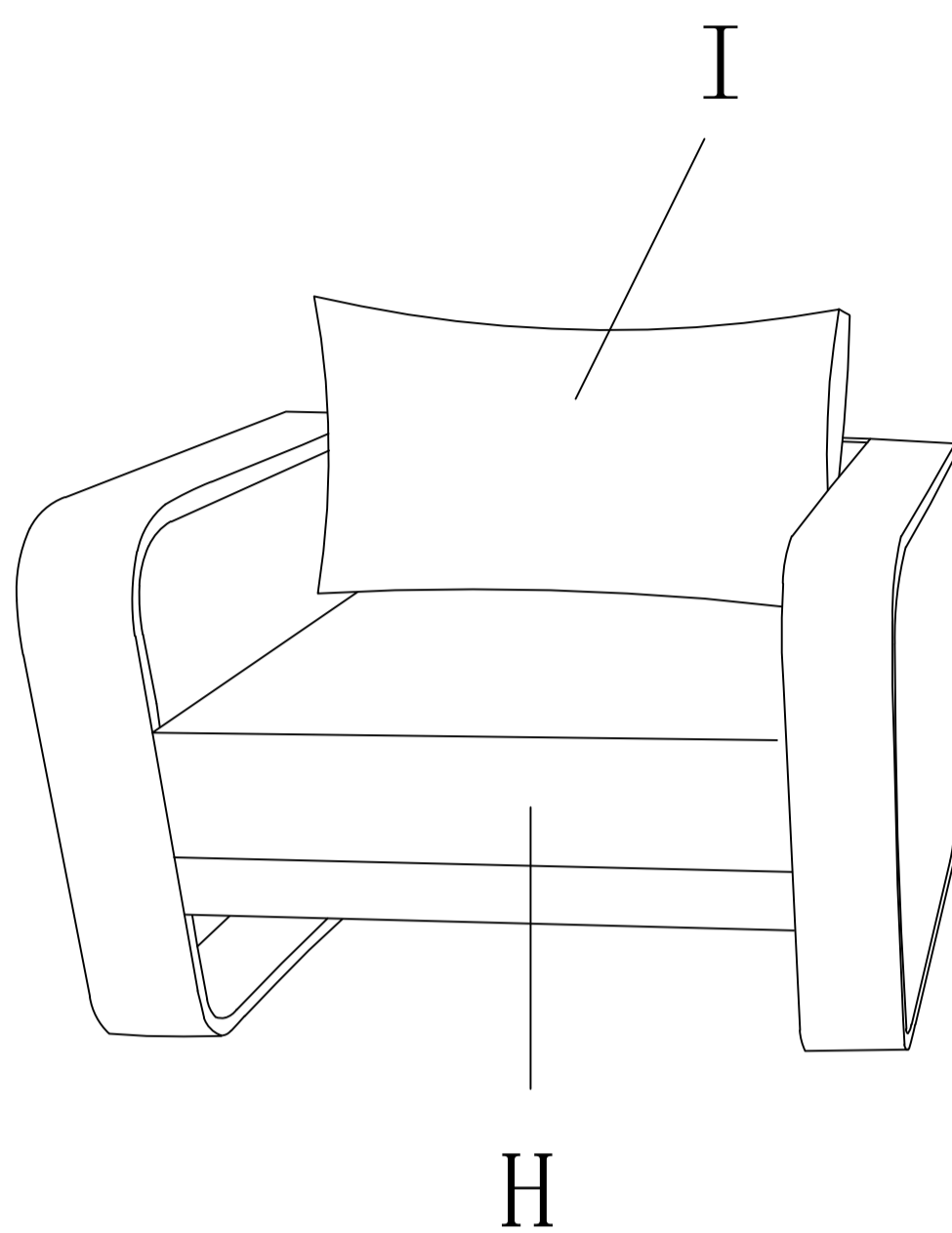
②\*4

③\*4

E\*1



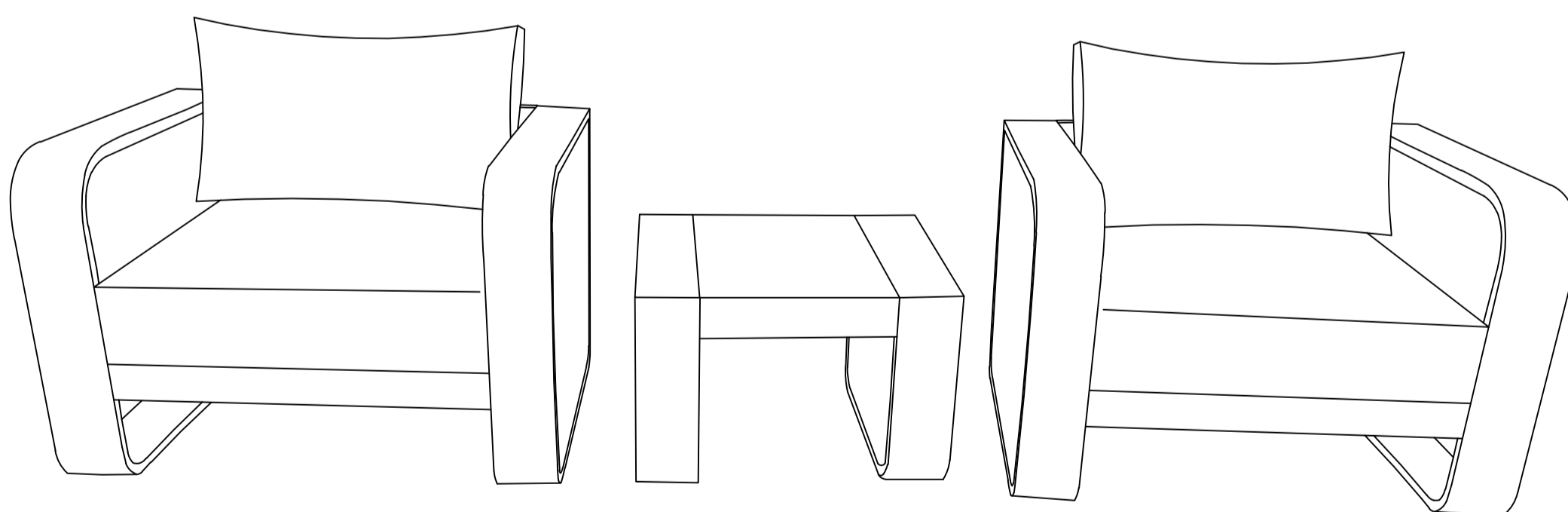
STEP 5



×  
2

H\*1

I\*1



FINISH