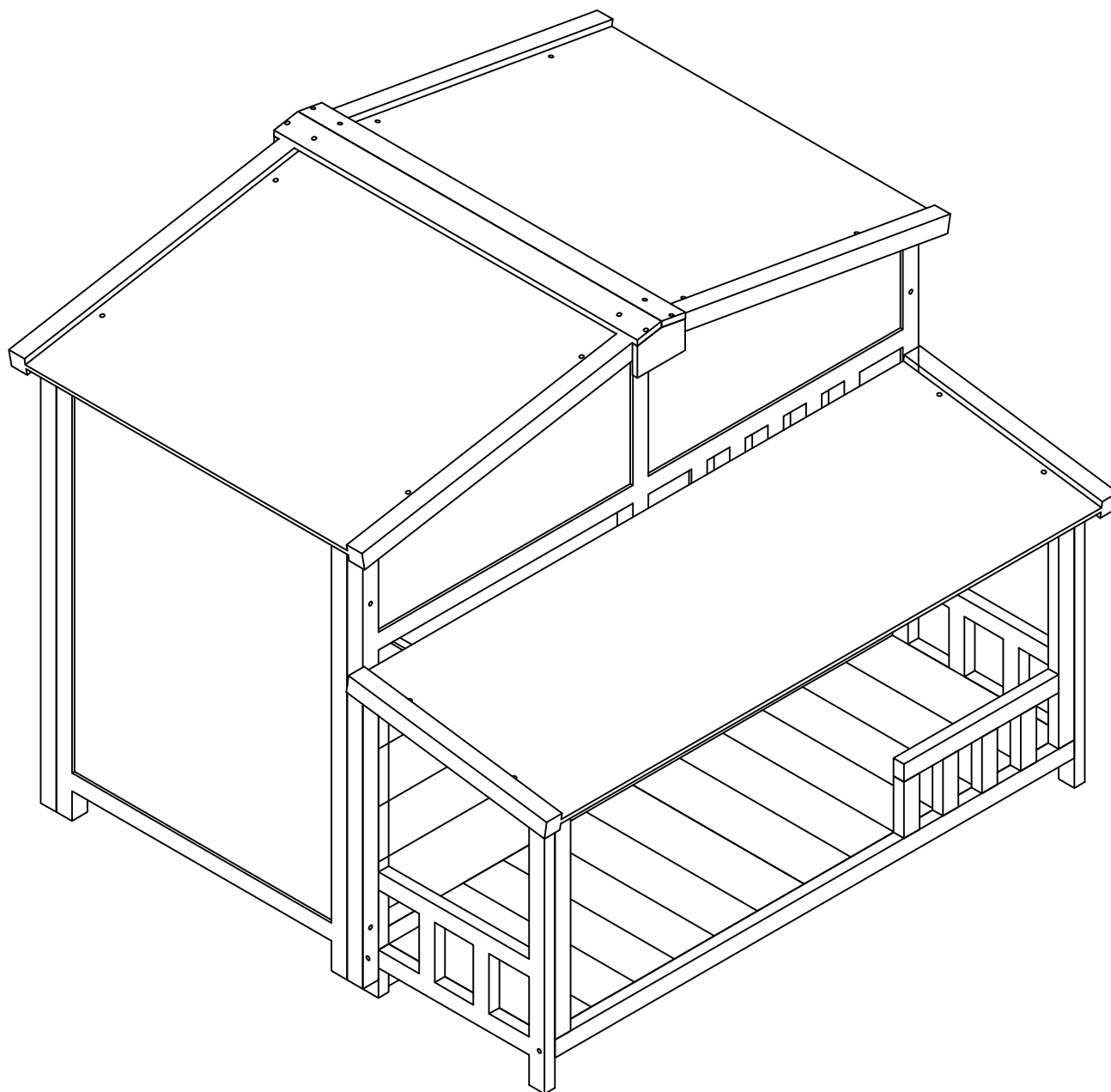
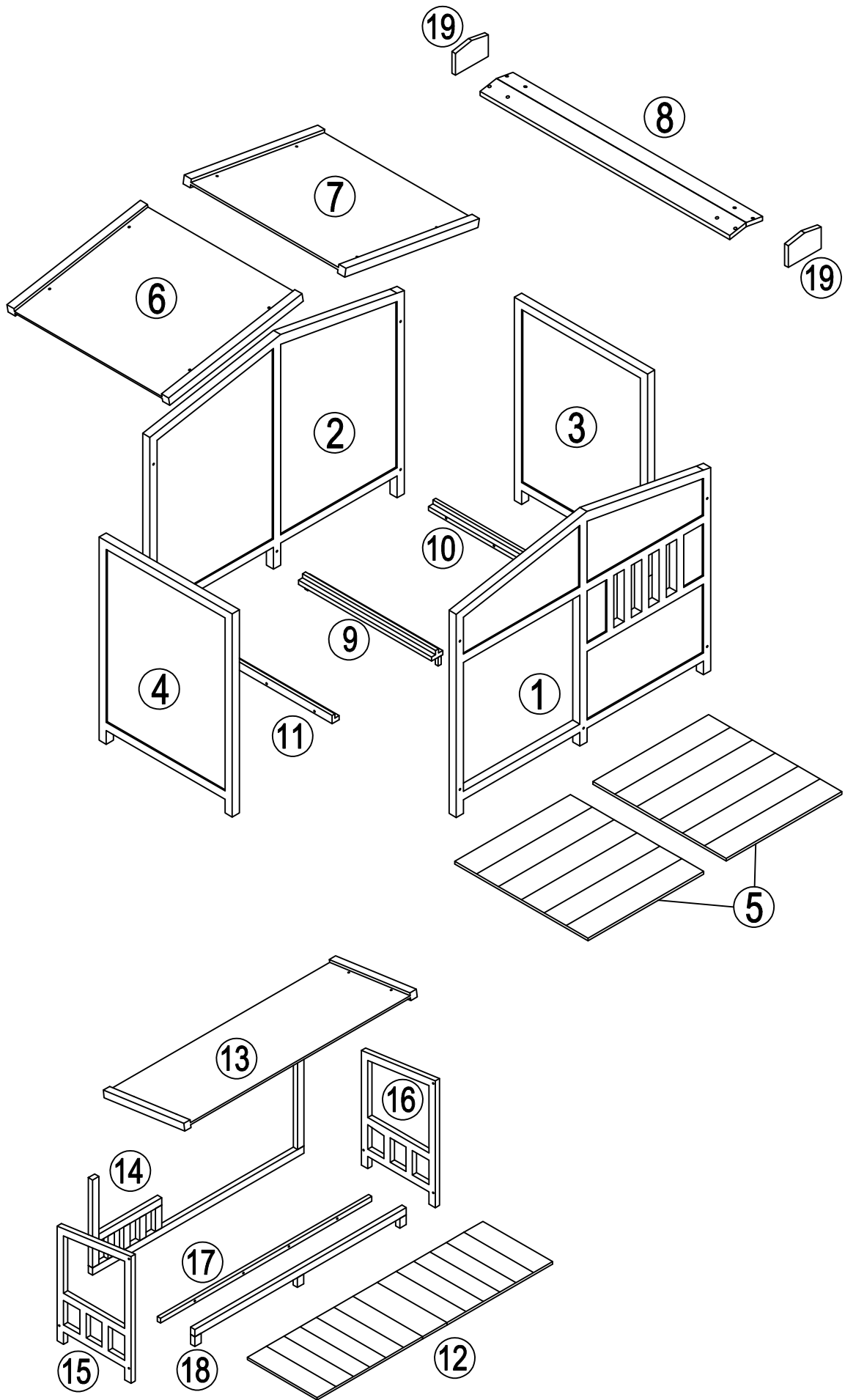


# DOG HOUSE ASSEMBLY INSTRUCTIONS

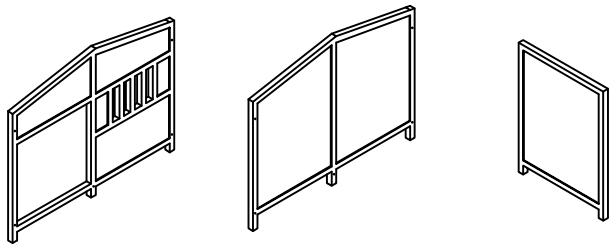


**WF318615AAA**

**WF318642AAA**

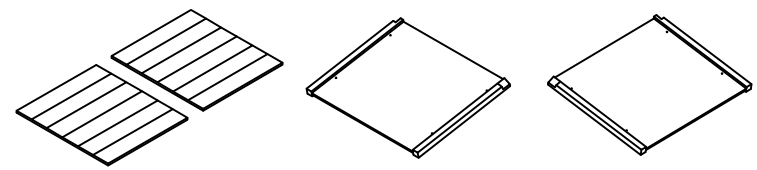


# WF318642AAA

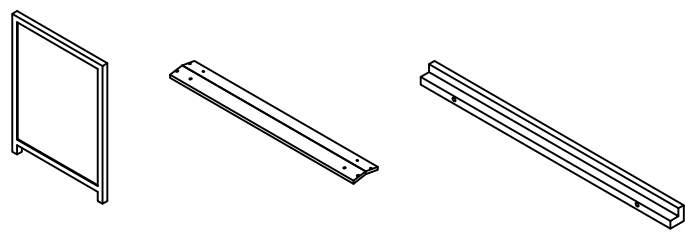


- 1
- 2
- 3

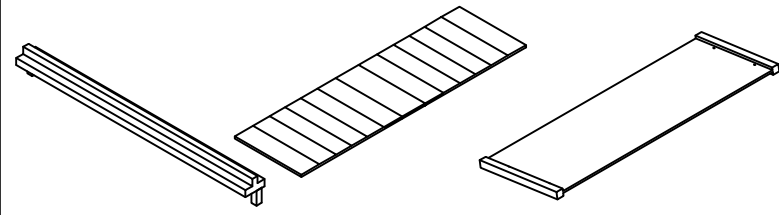
# WF318615AAA



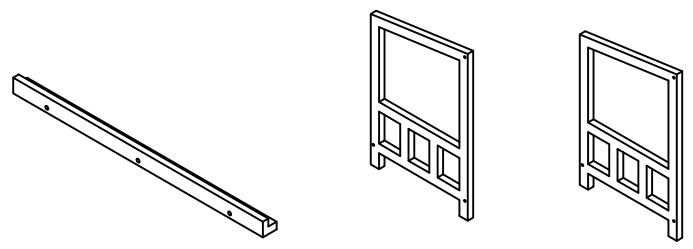
- 5
- 6
- 7



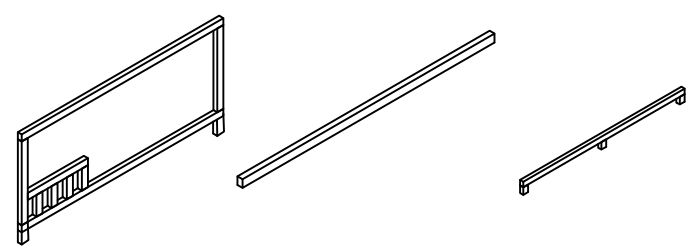
- 4
- 8
- 10



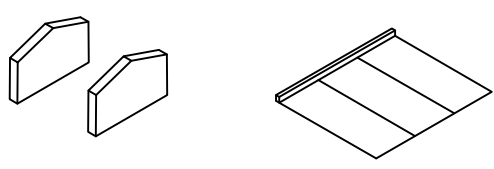
- 9
- 12
- 13



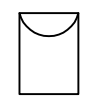
- 11
- 15
- 16



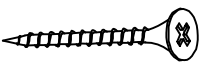
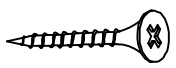
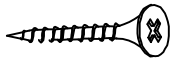
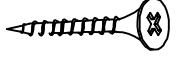
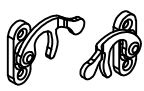
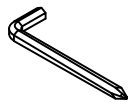
- 14
- 17
- 18



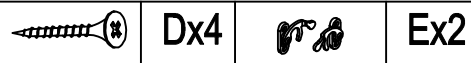
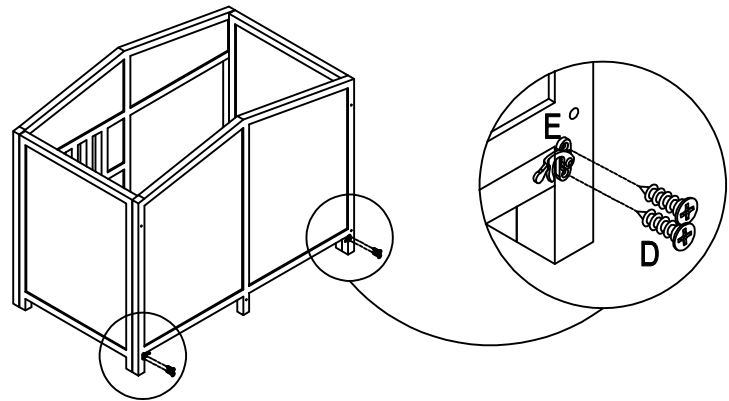
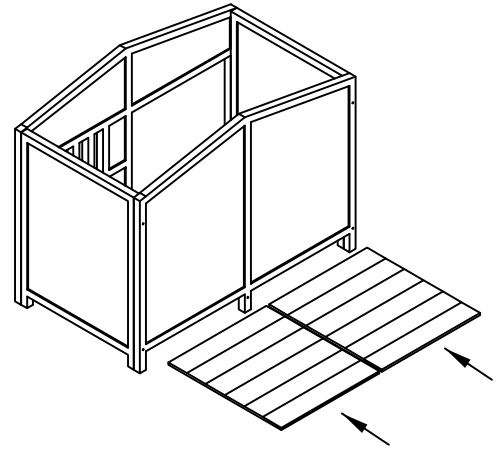
- 19
- 20



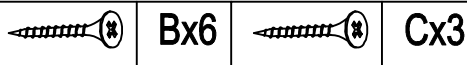
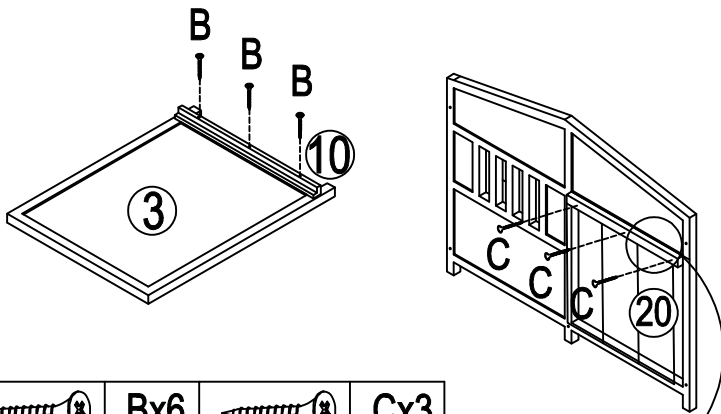
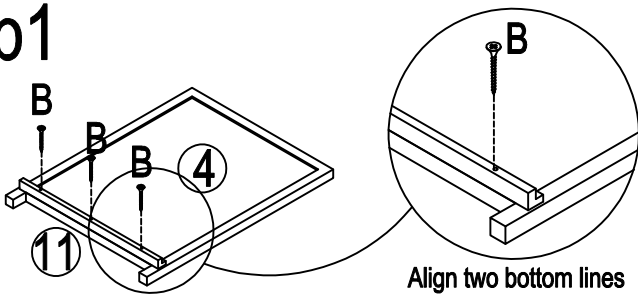
HARDWARE

<b>A</b>		M3.5x40mm	20
<b>B</b>		M3.5x35mm	10
<b>C</b>		M3.5x20mm	23
<b>D</b>		M3.5x10mm	4
<b>E</b>			2
<b>F</b>			1

### Step3

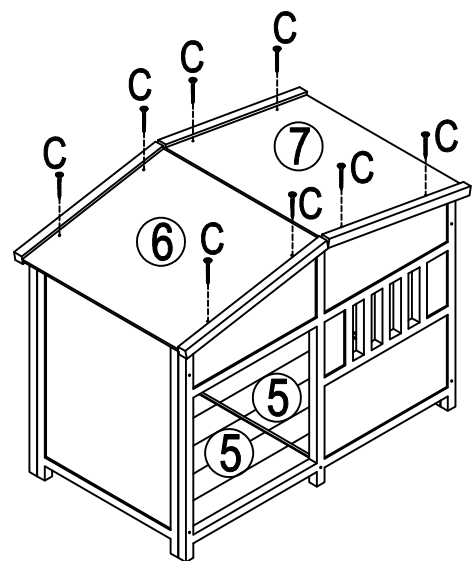


### Step1

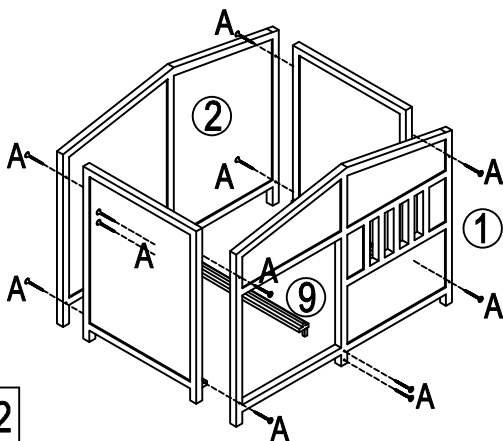


Curtain on the inside

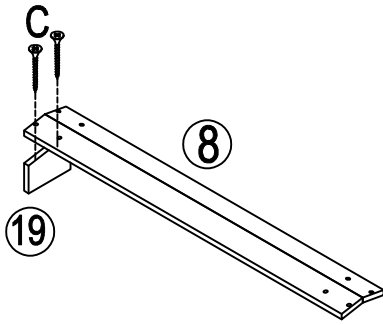
### Step4



### Step2

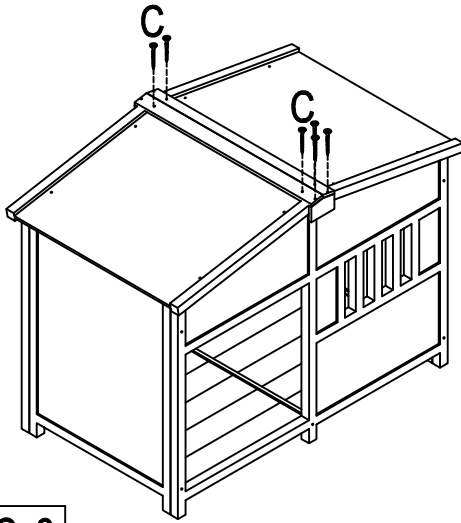


# Step5



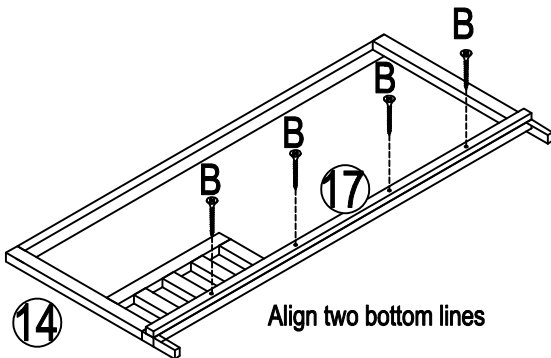
 Cx2

# Step6



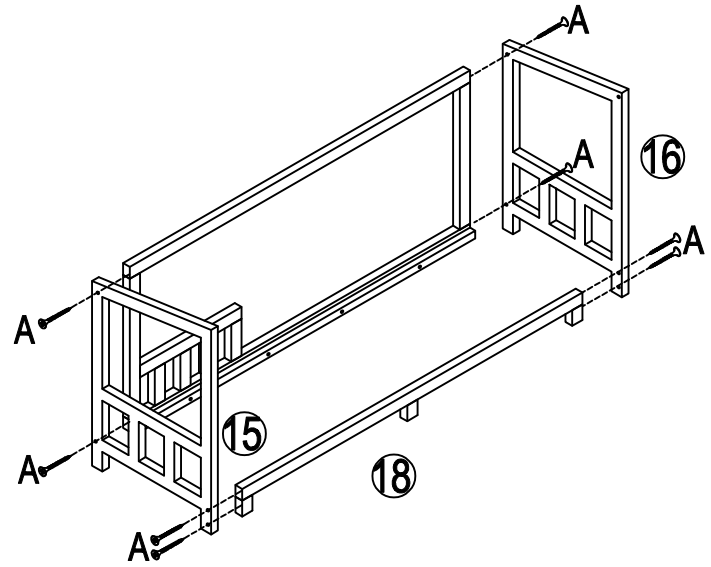
 Cx6

# Step7



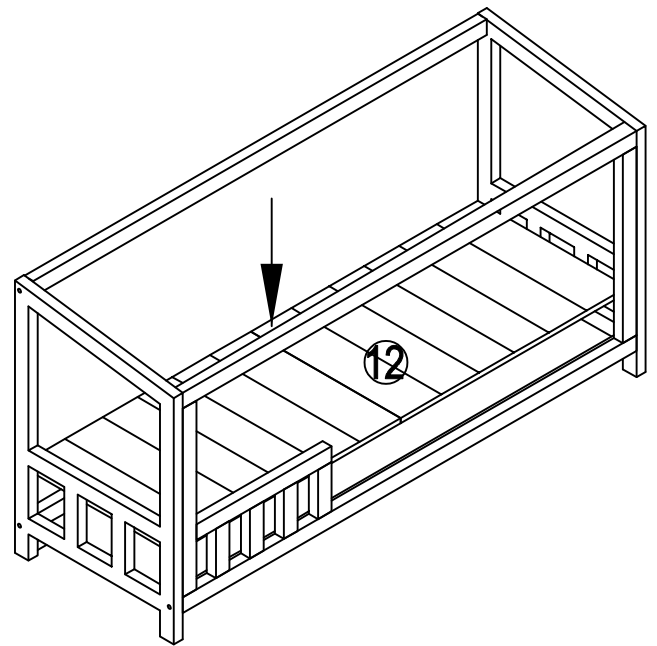
 Bx4

# Step8

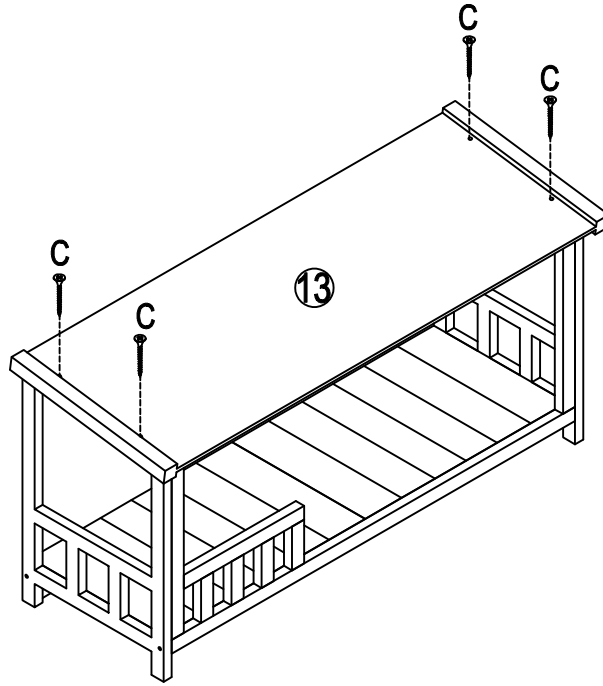


 Ax8

# Step9



# Step10



 Cx4

# Step11

