

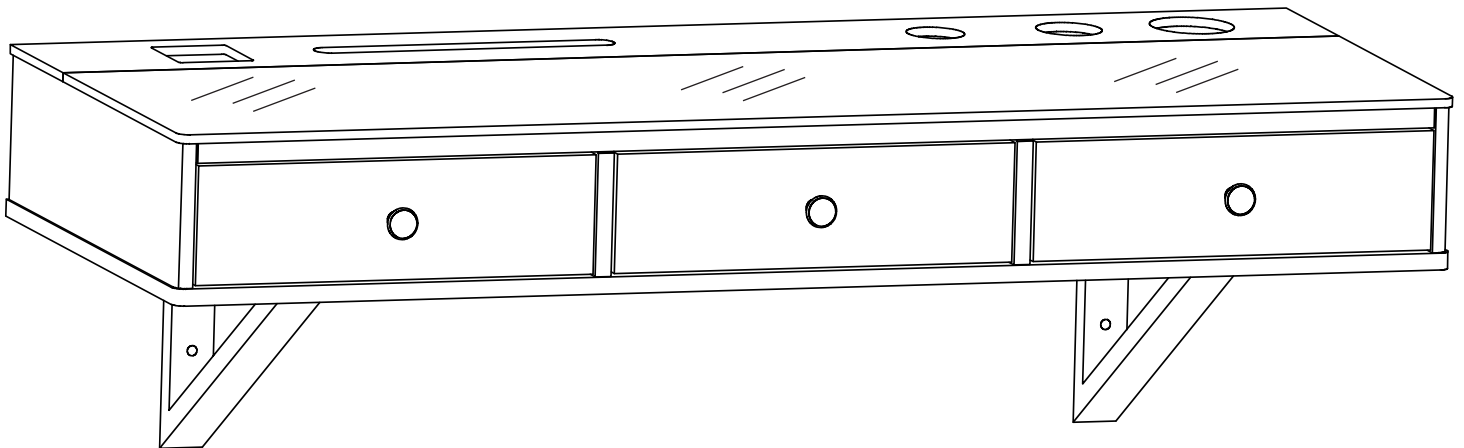
Assembly Instructions

ITEM NO. WF316977
WALL MOUNTED MAKEUP VANITY

Thank you for purchasing this quality product. Be sure to check all packing materials carefully for small parts, which may have come loose inside the carton during shipment. Identify and count all items and compare with the PARTS LIST and/or HARDWARE LIST shown below.

Caution: Please read the instructions thoroughly before assembly.

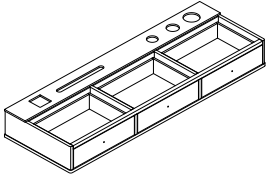
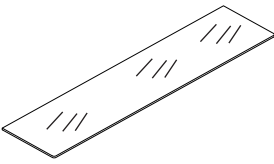
1. We recommend that you assemble this product with the assistance of another person; this will make the assembly easier, and will help eliminate damage to the product or injury to persons during assembly.
2. Please do not over tighten screws or bolts until the assembly is completed.
3. Please put all parts on a non-abrasive floor before assembly, and follow the assembly steps to assemble your newly purchased product correctly and efficiently.



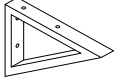
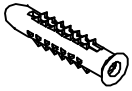
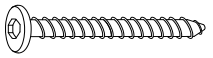
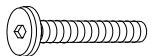



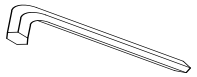
Assembly Instructions

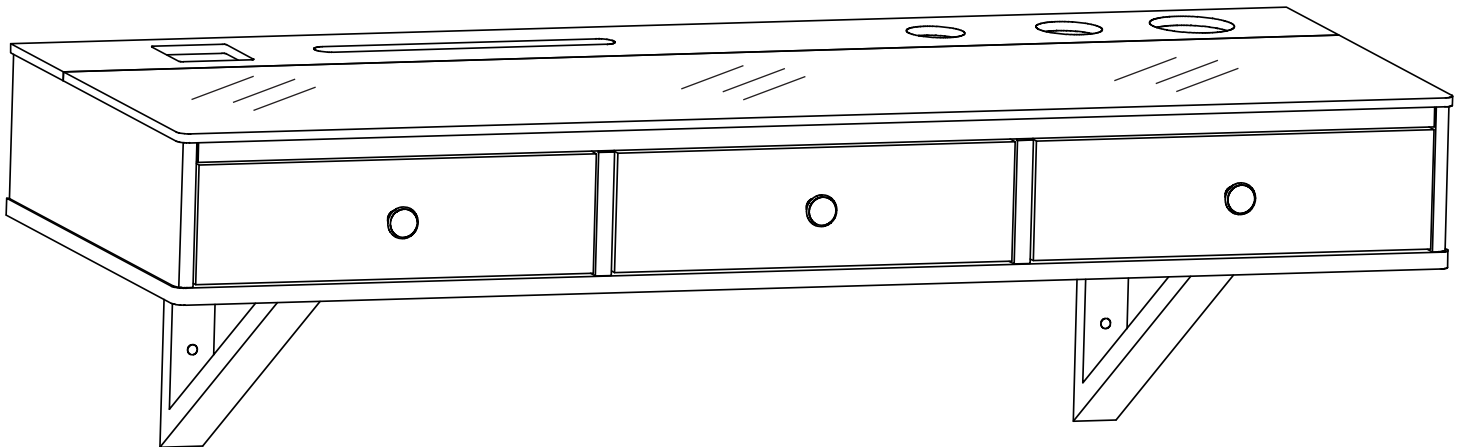
ITEM NO. WF 316977
WALL MOUNTED MAKEUP VANITY

PARTS LIST

NO.	COMPONENT	SKETCH	QTY.
A	TABLE		1 PC
B	GLASS		1 PC

HARDWARE LIST

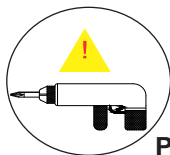
NO.	COMPONENT	SKETCH	QTY.
1	CORNER SUPPORT		2 PCS
2	PLASTIC ANCHOR EXTRA=3PCS		4 PCS
3	WOODEN BOLT		4 PCS
4	BOLT		4 PCS
5	HANDLE		3 PCS
6	HANDLE BOLT		3 PCS
7	GLASS BUTTON		8 PCS
8	ALLEN KEY		1 PC



Assembly Instructions

ITEM NO. WF 316977 WALL MOUNTED MAKEUP VANITY

ASSEMBLY TOOLS REQUIRED (NOT INCLUDED)

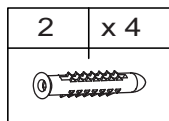
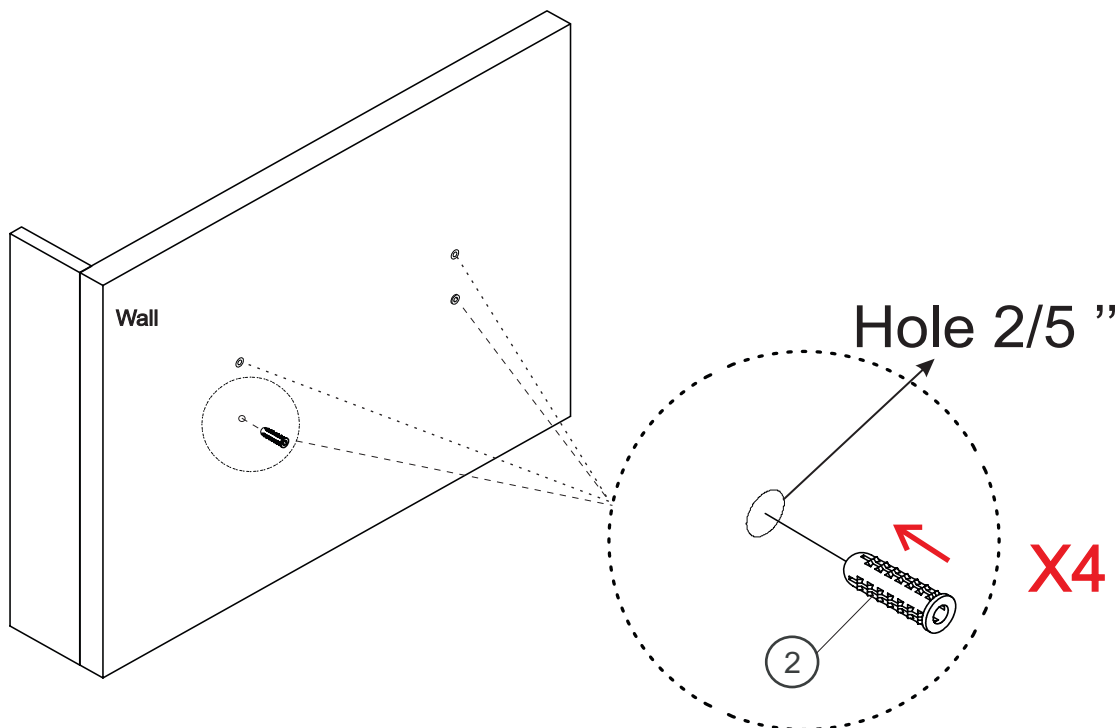
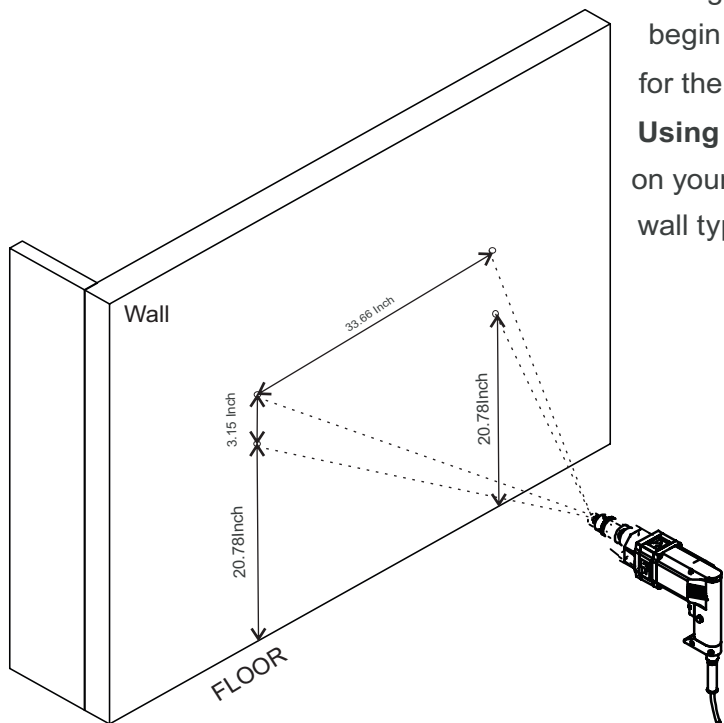


PLEASE BE CAREFUL DO NOT DAMAGE THE HOLE POSITION WHEN YOU USE POWERTOOLS!

STEP 1

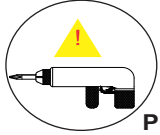
Choose your desired Makeup Vanity location on your wall. Using the wall anchor spacing dimensions graphic below, begin to line up and mark where you will need to drill holes for the Wall Anchors (2)

Using a 2/5" drill bit, drill holes on the marks you made on your wall, then push the Wall Anchors (2) for the proper wall type, into the holes.



Assembly Instructions

ITEM NO. WF 316977 WALL MOUNTED MAKEUP VANITY

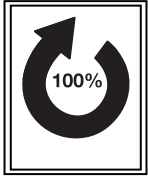


ASSEMBLY TOOLS REQUIRED (NOT INCLUDED)

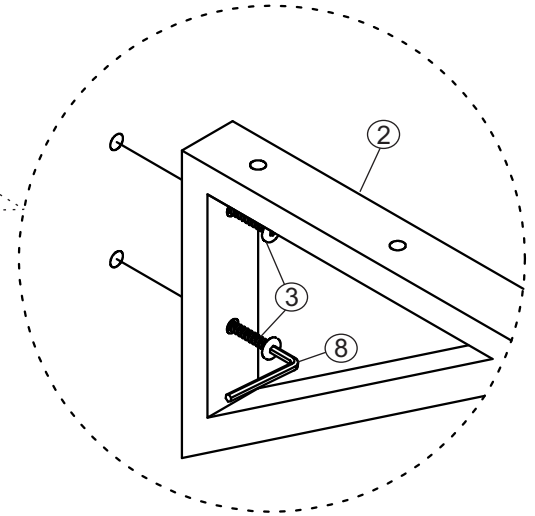
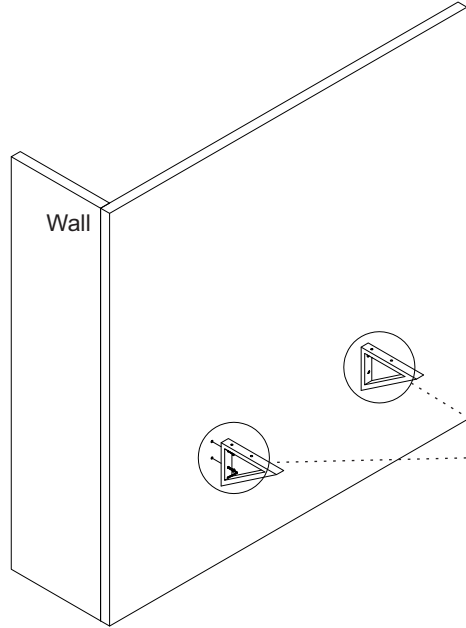


PLEASE BE CAREFUL DO NOT DAMAGE THE HOLE POSITION WHEN YOU USE POWERTOOLS!

STEP 2

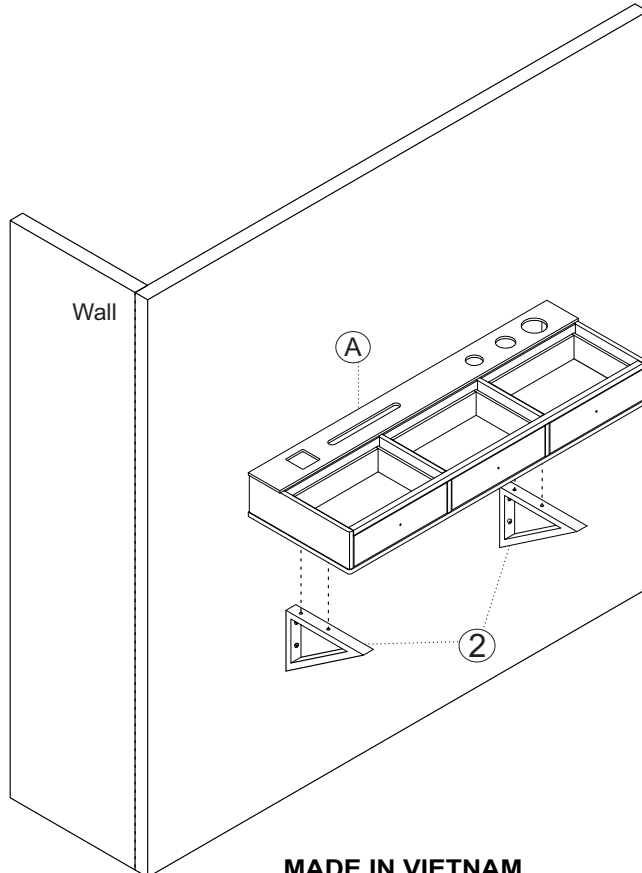


Please fully tighten screws after all screws are in place !



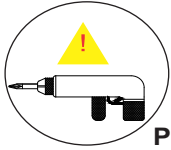
2	x 2	3	x 4	8	x 1

STEP 3



Assembly Instructions

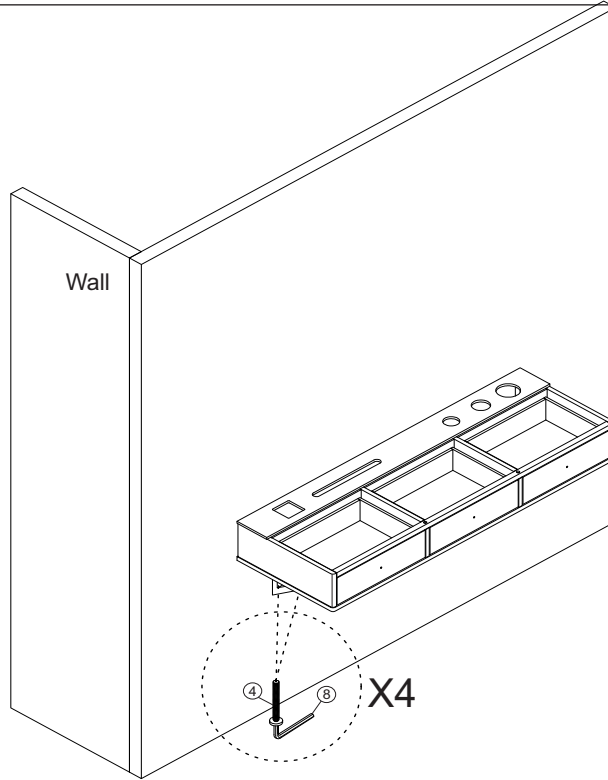
ITEM NO. WF 316977
WALL MOUNTED MAKEUP VANITY



ASSEMBLY TOOLS REQUIRED (NOT INCLUDED)



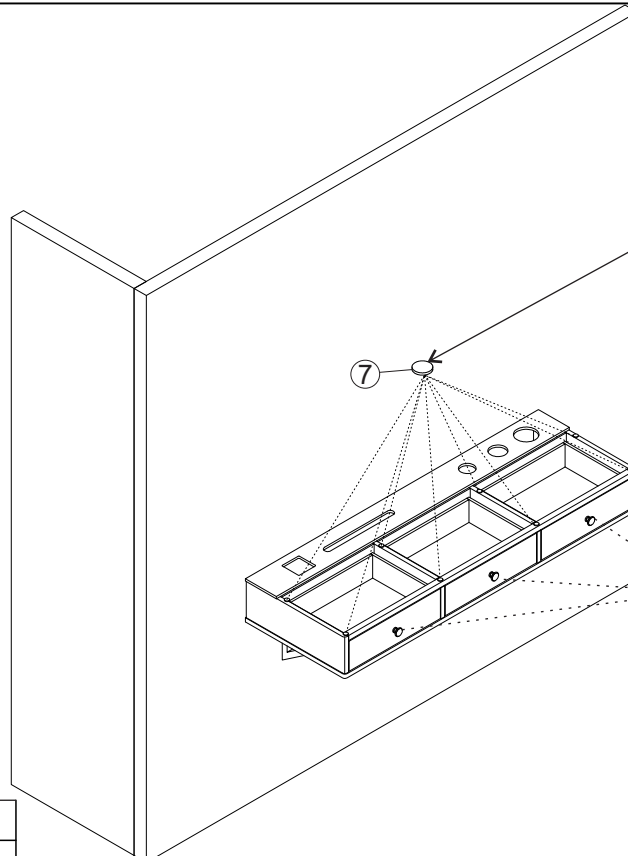
PLEASE BE CAREFUL DO NOT DAMAGE THE HOLE POSITION WHEN YOU USE POWERTOOLS!



Please fully tighten screws after all screws are in place !

4	x 4	8	x 1

STEP 4

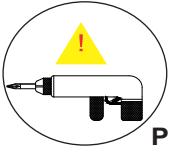


Please remove the glue on the underside before putting them in the positions as picture

5	x 3	6	x 3	7	x 8

Assembly Instructions

ITEM NO. WF 316977
WALL MOUNTED MAKEUP VANITY

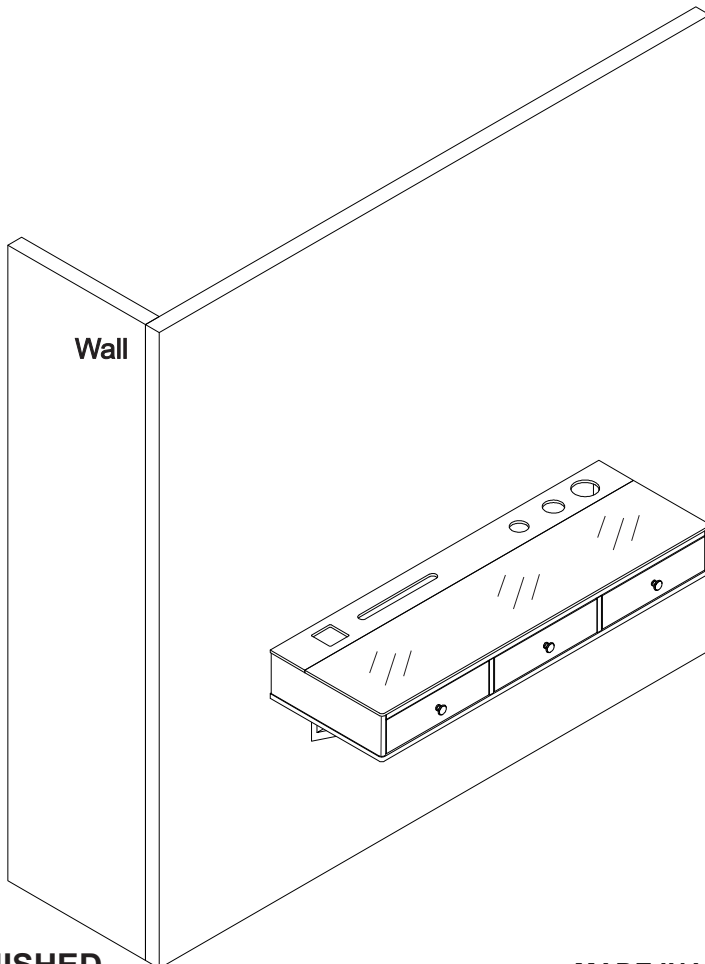
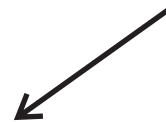
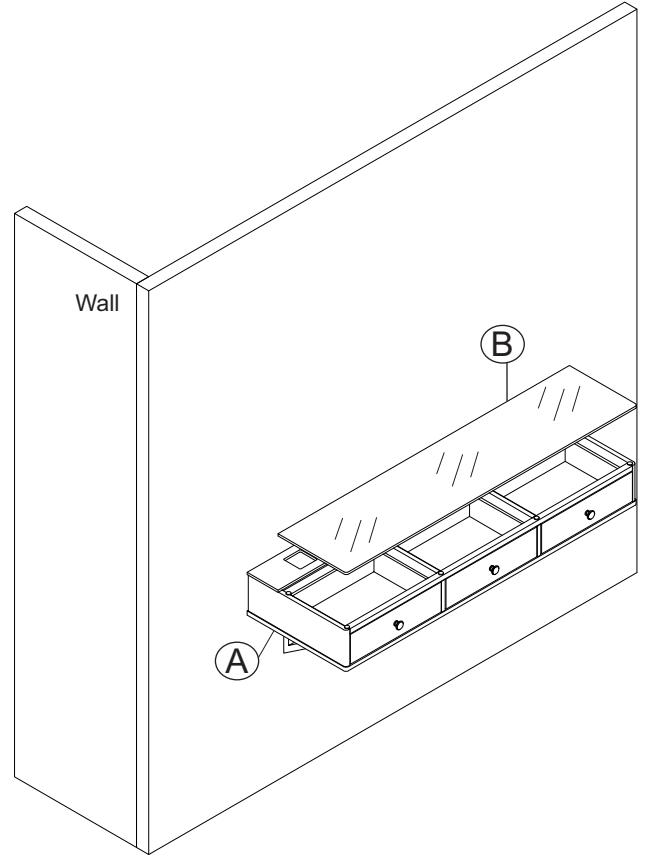


ASSEMBLY TOOLS REQUIRED (NOT INCLUDED)



PLEASE BE CAREFUL DO NOT DAMAGE THE HOLE POSITION WHEN YOU USE POWERTOOLS!

STEP 5



FINISHED

MADE IN VIETNAM

PAGE: 6 OF 6